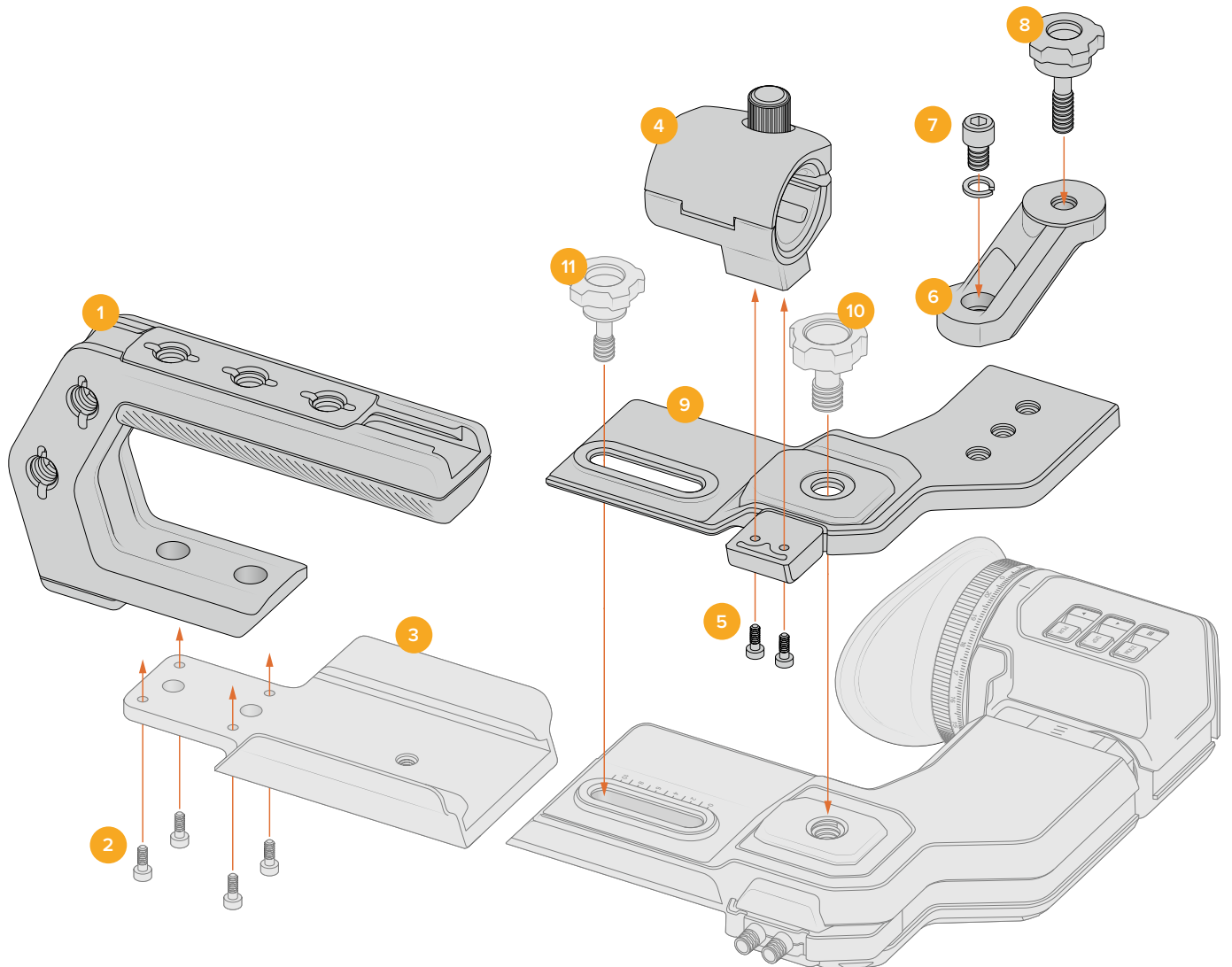


URSA Broadcast ENG Kit

Product Assembly

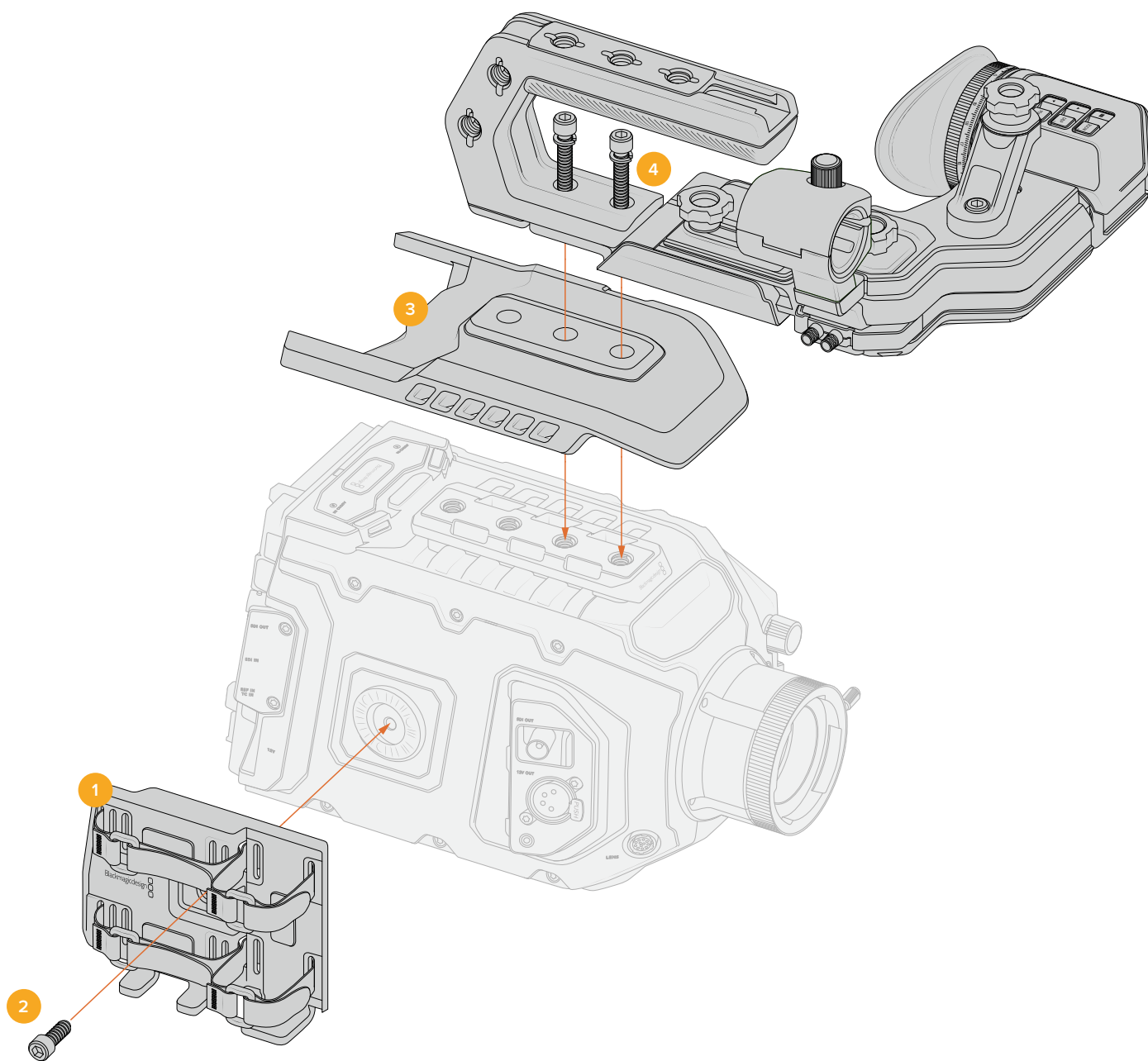


- | | | | |
|--|---------------------------|--|---|
| 1 ENG Top Handle | 4 Microphone Mount | 6 Rotating Light Mount | 9 Central Top Mount Plate |
| 2 T10 x 8.5mm ¹ | 5 M3 x 8mm | 7 1/4" x 10mm
with spring washer | 10 3/8" x 18.5mm
thumb screw ² |
| 3 URSA EVF
Mounting Plate ¹ | | 8 1/4" x 17.5mm
thumb screw | 11 1/4" x 22.5mm
thumb screw ¹ |

1 From URSA Broadcast G2, URSA Mini Shoulder Kit or can be purchased as spare parts (URSA EVF Mounting Plate, and URSA EVF 1/4" Thumbscrew)
2 From URSA Viewfinder or can be purchased as spare part (URSA EVF 3/8" Thumbscrew)

URSA Broadcast ENG Kit

Accessories Attachment



1 Side Panel Cradle

2 M6 x 9mm (3/16" hex driver)

3 Breathable Body Armor Top Plate

4 1/4" x 30mm with spring washers