

April 2024

Installation and Operation Manual

Blackmagicdesign 

Cintel Scanner



Cintel Scanner

Languages

To go directly to your preferred language, simply click on the hyperlinks listed in the contents below.

English	3
日本語	134
Français	266
Deutsch	398
Español	530
中文	662
한국어	794
Русский	926
Italiano	1058
Português	1190
Türkçe	1322



Welcome

Thanks for purchasing your new Cintel scanner!

Your new scanner runs film in real time so you can transfer film much faster than a traditional scanner that runs non real time using a constant start-stop motion. However it's important to understand that your scanner is not a telecine and it does not transfer film to video, as it transfers film via Thunderbolt 3 or PCIe directly to DaVinci Resolve where you have the power to edit the film rolls back together and the scans can be color graded, reframed, noise reduced and the audio extracted.

Using DaVinci Resolve to operate the scanner means you have much more creative control than a simple telecine because DaVinci Resolve has many more features than is possible to do in hardware. Plus because Cintel takes advantage of the power of the DaVinci Resolve system and the GPU or eGPU of the host computer, this scanner itself does not need to be cluttered with bulky expensive electronics assemblies.

The scanning workflow is simple as all you need to do is scan your film with standard or high dynamic range into intermediate RAW files and then once you have joined the film rolls back together in the timeline, added noise reduction, color grading and reframing, you can use DaVinci Resolve's deliver page to render out files to any format you like.

We've also designed attachments to improve your workflow. The optional Audio and KeyCode Reader attachment can scan optical or magnetic audio faster than real time, as well as importing KeyCode information directly into your DaVinci Resolve clips. Alternatively, the scanner can synchronize to downstream audio systems.

Of course with all the power of DaVinci Resolve available with your scanner, it's also important to check out the available DaVinci Resolve manual and tutorials. There are some great customer tutorial videos on using DaVinci Resolve as well as high quality training available from third party vendors to help you get the most out of your DaVinci Resolve system.

Check the support page at www.blackmagicdesign.com for the latest version of this manual and for updates to the internal software of your Cintel Scanner.

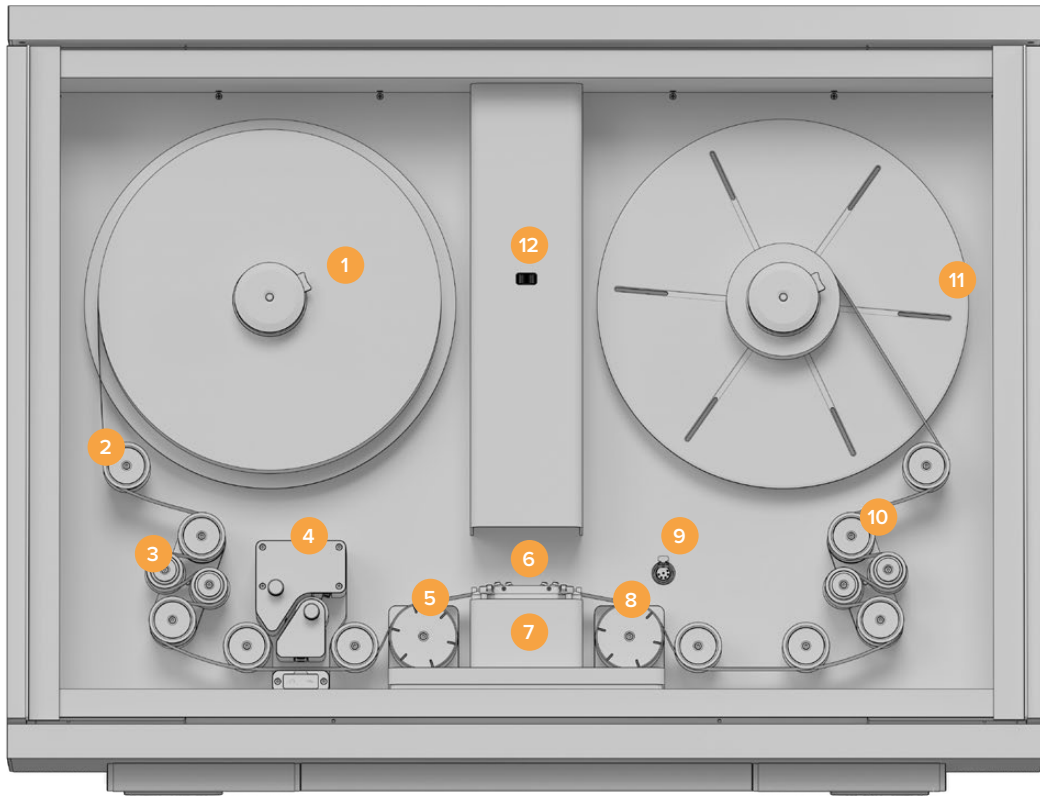
A handwritten signature in black ink that reads "Grant Petty". The signature is written in a cursive, flowing style.

Grant Petty
CEO Blackmagic Design

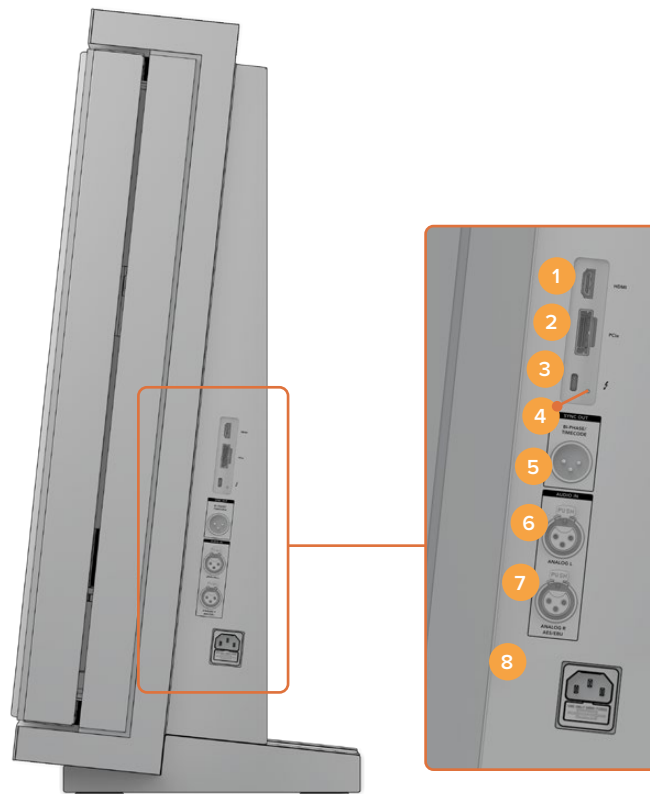
Contents

Unpacking and Mounting	7	Optional Audio and KeyCode Reader	47
Desk Mounting	7	Attaching the Audio and KeyCode Reader	48
Wall Mounting	8	Reading Audio	50
Warning for Safely Installing your Scanner	9	Setting the Reader for Audio Scanning	51
Getting Started	10	Reading KeyCode	57
Installing the Software	10	Setting the Reader for KeyCode Scanning	57
Plugging in Power	10	Transcoding to DPX including KeyCode Metadata	58
Connecting to a Computer	10	Servicing	60
Launching DaVinci Resolve	11	Cleaning the Particle Transfer Rollers	60
Firmware Updates	12	Cleaning the Capstans	60
Software Development Kit	13	Dusting	61
What is HDR?	13	Cleaning the Audio and KeyCode Reader Roller	61
Drive Wheel Types	14	Cleaning the Audio and KeyCode Reader's Magnetic Head	62
Lacing Film	14	Magnetic Head Replacement	63
Using Your Scanner	18	Replacing the Magnetic Head PCB	65
Wind Types	18	Reset Magnetic Head Run Time	69
Switching to 16mm	19	Verifying Head Alignment	69
Switching to 8mm	21	Working with Clips in DaVinci Resolve	74
Switching Between 8mm Film Gauges	22	Project Manager	74
Film Path Tension Screws	24	Editing with the Cut Page	75
Playback Controls	25	Adding Clips to the Timeline	78
Standby Mode	26	Trimming Clips on the Timeline	79
Capturing Using DaVinci Resolve	26	Audio Trim View	80
The Cintel Scanner Interface	26	Adding Titles	80
Film Controls	27	Working with Blackmagic RAW Files	81
Adjusting the Light Source	30	Color Correcting your Clips with the Color Page	85
Image Stabilization	31	Adding a Power Window	88
Film Protection	34	Using Plugins	90
Editing Capture Info and Metadata	34	Mixing Audio in the Edit Page	90
Film Scanning Workflows	36	The Fairlight Page	91
Adjusting the Color of the Scanner	40		
Scanning One or More Sections of Film	41		
Extracting Audio	42		
Audio Extraction Settings	43		
Color Space and Sizing	45		

Adding VFX and Compositing with the Fusion Page	96	General	114
Getting Started with Fusion	98	Patch Type	115
Mastering Your Edit	104	Patch Options	116
Quick Export	104	Advanced Controls	116
The Deliver Page	105	Noise Reduction	117
Automatic Dirt Removal	106	Temporal NR Controls	117
Main Controls	106	Temporal Threshold Controls	117
Fine Controls	107	Spatial NR Controls	118
Hot Pixel Repair	107	Spatial Threshold Controls	119
General	108	Global Blend	119
Patch Type	109	Using Noise Reduction	120
Patch Options	110	Object Removal	122
Advanced Controls	110	Specifications	124
Deflicker	111	Regulatory Notices	127
Main Parameters	111	Safety Information	128
Temporal NR	111	Help	130
Speed Optimization Options	112	How to Get the Latest Updates	130
Restore Original Detail After Deflicker	112	Creating a Status Report	130
Output	113	USB Recovery	131
Dust Buster	113	Warranty	133



- 1. Core clamp
- 2. Roller
- 3. Particle transfer roller
- 4. Optional Audio and KeyCode Reader attached via left options interface
- 5. Tensioner wheel
- 6. Skid plate
- 7. Light source
- 8. Drive wheel
- 9. Pin registration expansion port
- 10. Compliance arm
- 11. Spooler backplate
- 12. Focus wheel



- 1. HDMI
- 2. PCIe
- 3. Thunderbolt 3
- 4. Power supply status
- 5. Bi-Phase sync / timecode out
- 6. XLR3 audio input 1
- 7. XLR3 audio input 2
- 8. Power connection

Unpacking and Mounting

Welcome to your new Cintel scanner!

The first thing to do before you can get started using your scanner is to unpack and securely mount your scanner to a stable surface, or against a wall. Mounting holes are located on your scanner's base, under the feet, for added stability when mounting to a desk. Mounting holes are also located on the back panel so you can firmly mount your scanner to a dedicated wall mount.

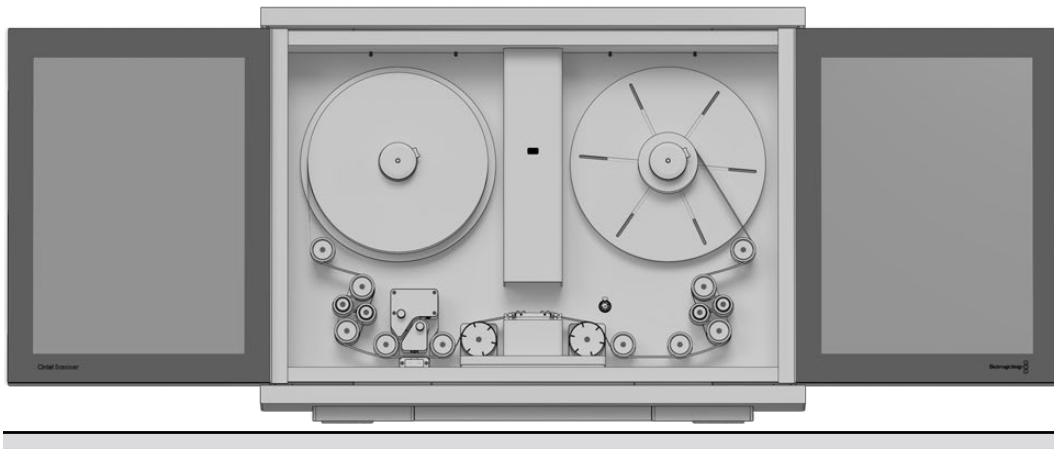
After opening your scanner's road case, you will see that spaces have been cut in the foam padding to give you a sturdy grip on your scanner.

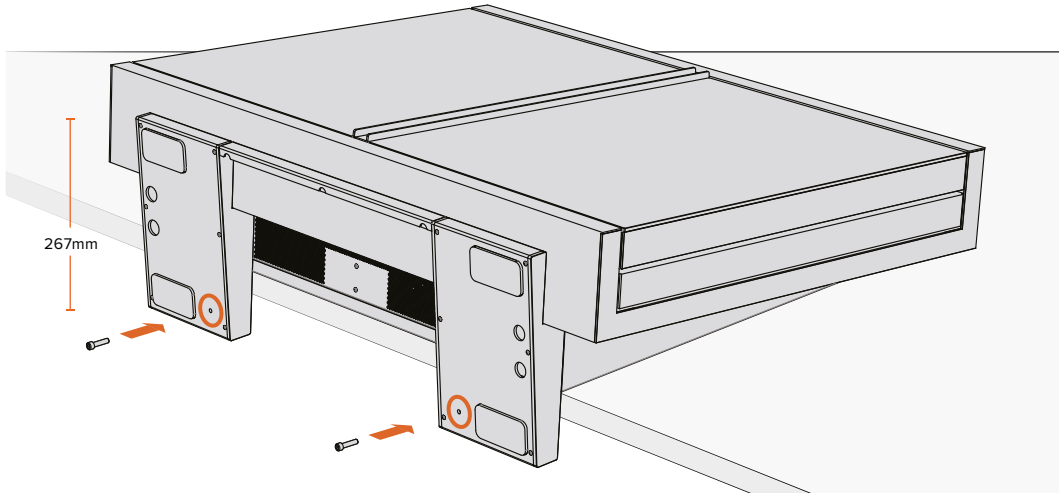
Please note that Cintel weighs over 60kg, or 130 pounds, and is clearly too heavy to be unpacked by one person. You will need to make sure that all lifting is performed by 2 people using correct lifting techniques, such as bending your knees, keeping a straight back and lifting with careful, controlled movements.

Once you have gently removed your scanner from its road case, place it upright on a flat, stable surface capable of supporting its weight.

Desk Mounting

For added stability, you can secure your scanner to your work surface using the mounting holes in your scanner's feet. To do this, you'll need to drill two holes through your desk or work surface so you can insert two M6 safety bolts and screw them into the mounting holes under your scanner's feet. This will hold your scanner firmly to the surface and prevent it from moving





When desk mounted, you can securely fasten your scanner to your work surface by screwing M6 safety bolts into your scanner's feet

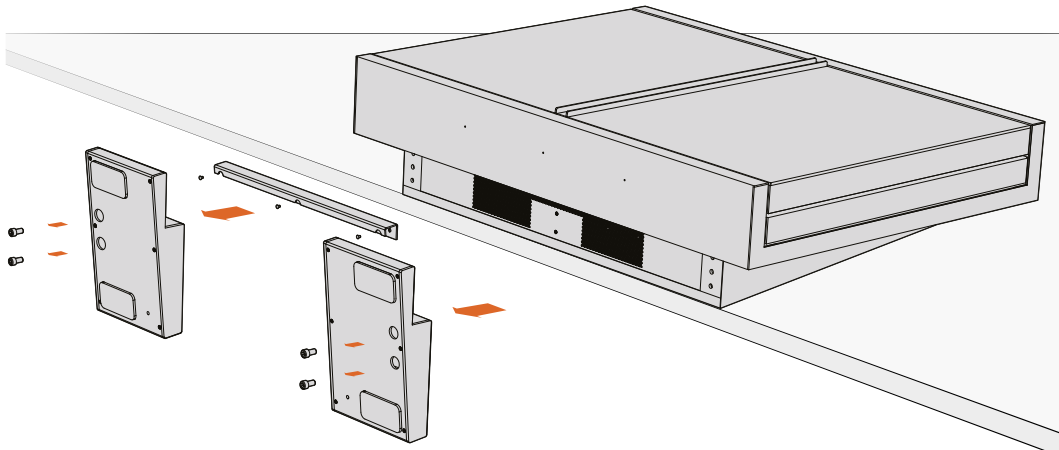
NOTE Your safety is important to us and we strongly advise reading the warning information on the following page before mounting your Cintel scanner.

Wall Mounting

Cintel's elegant industrial design and narrow profile make it ideal for wall mounting.

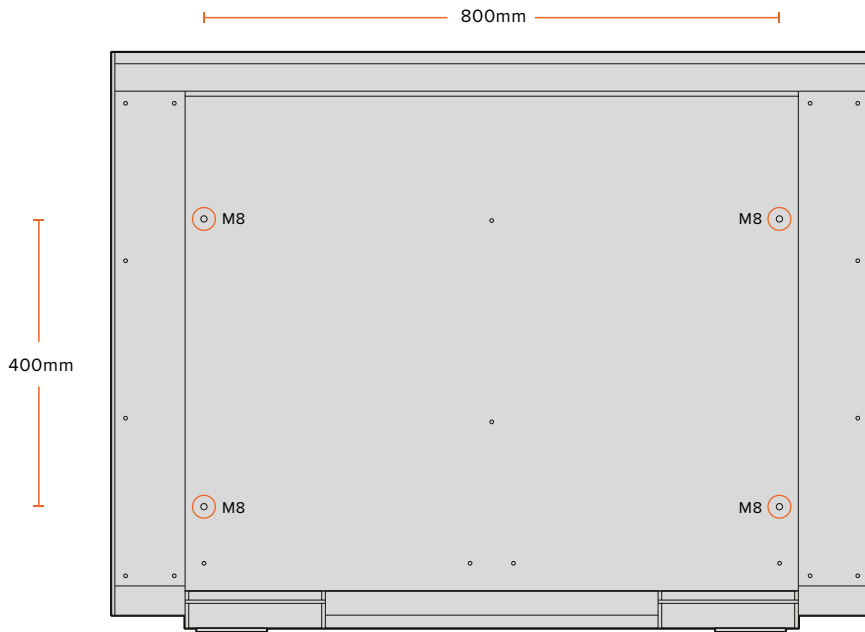
To do this, the first thing you'll need to do is remove the feet and support strut from the base of your scanner.

- 1 Place your scanner face up with its feet over the edge of a solid, stable surface capable of supporting your scanner's weight.
- 2 Unscrew the pair of M8 screws from each foot using a 6mm hex key, then gently remove the feet.
- 3 Using a Phillips head screwdriver, remove the support strut between the feet. Store the support strut in a safe place together with your scanner's feet so you can always reattach them later if you need to relocate your scanner.



Your scanner's desk mount feet and support strut can be removed if you want to mount your scanner to a wall

The locations of the four M8 mounting screws on your scanner's back panel are shown below. Be sure to use M8 screws when securing your scanner to a wall mount. The M8 screws should not exceed 25mm in length.



Warning for Safely Installing your Scanner

The Cintel Scanner weighs up to 70kg, or 155 pounds, when loaded with film. This is significantly heavier than a large screen television. If you are unsure of the structural capability of the wall or desk to support the total weight of the scanner and film loaded then you must obtain the advice of a qualified engineer to correctly analyze the mounting to ensure safety. Incorrect installation will result in the scanner falling which could cause serious injury or death.

When desk mounting the scanner, and especially when working underneath your scanner to install the desk mounting screws, ensure that your work surface is flat and stable. Mounting brackets and fixings must be of sufficient strength to securely support your scanner's weight. If your work surface is incapable of supporting the scanner's weight, or loses strength over time, your scanner may fall, possibly causing serious personal injury.

When wall mounting the scanner, ensure that the installation location is strong enough to support long term use. If its strength becomes insufficient over the course of long term use, the scanner may drop, possibly causing injury. Do not install in places which are unable to bear loads. Mounting brackets and fixings must be of sufficient strength to securely support the scanner's weight. If the strength of the installation surface is insufficient, the scanner may fall down and personal injury may result.

Desk or wall mounting your scanner must be undertaken by more than one person. Do not attempt installation on your own.

Getting Started

After unpacking and mounting your scanner, getting started is as simple as plugging in power, connecting your computer via Thunderbolt, launching Blackmagic DaVinci Resolve and lacing your film. If you want to immediately see your scan on an external monitor, you can load film, manually tension it and output it to an HDMI monitor. To learn more about this, refer to the 'lacing film,' and 'playback controls' section of this manual.

Installing the Software

Capture controls for your scanner are located in DaVinci Resolve's film scanner panel, therefore, the first thing you'll need to do when you're ready to capture your scan is download and install DaVinci Resolve Studio. Your scanner comes with a dongle for DaVinci Resolve to allow you to use the full version of DaVinci Resolve.

Download the latest version of the Cintel Scanner software from the Blackmagic Design support center at: www.blackmagicdesign.com/support

Once your download has completed, unzip the file and double click on it. This will open a setup folder. Now simply run the installer files contained within the setup folder and follow the prompts to install the software on your computer.

You can also use the Cintel Scanner SDK to develop your own software to control Cintel Scanner and integrate it with your workflow. For more information, see the 'Software Development Kit' section.

Plugging in Power

Now that all the required software is installed on your computer, you'll need to plug power into your scanner so that you can lace up your film.

Power your scanner by connecting a standard IEC cable to the AC power socket on the lower right side of the back panel. Your scanner's power indicator LED will glow green when power is connected.

Connecting to a Computer

There are two ways to connect your Cintel Scanner to a host computer. The Thunderbolt 3 port can be used by Windows and Mac computers, while the PCIe external port can be used by Windows and Linux computers when used with the PCIe cable kit from Blackmagic Design. You can also connect to an external monitor via your scanner's HDMI port for focusing or preview purposes. The Thunderbolt 3, PCIe, and HDMI ports are located on the lower right side of your scanner.

Launching DaVinci Resolve

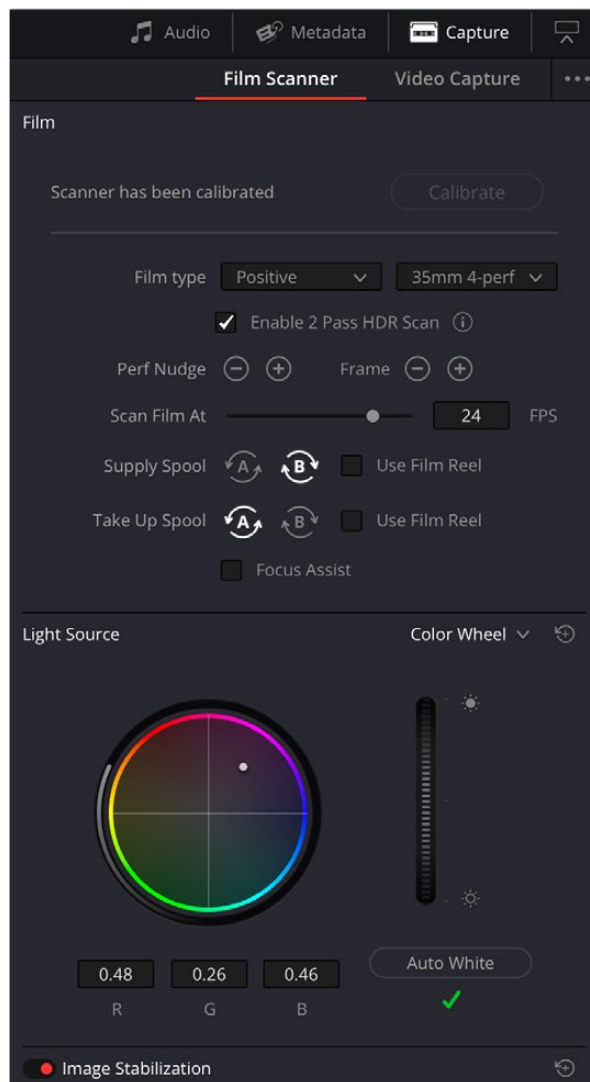
Launch DaVinci Resolve and select the 'media' page. Open DaVinci Resolve's film scanner panel by clicking on the 'capture' button at the top right of the screen and selecting 'film scanner'.

The scanner will capture a large amount of image data, so you'll need to set the folder you want DaVinci Resolve to record the captured files to.

To do this:

- 1 Launch DaVinci Resolve.
- 2 Click on 'preferences' in the DaVinci Resolve menu bar.
- 3 Click on the 'plus' icon in the 'media storage' tab. Browse to and select a drive or folder path.
- 4 Click 'save', and restart DaVinci Resolve.

For detailed information on how to use all the control features in DaVinci Resolve's film scanner panel, refer to the section in this manual called 'capturing from DaVinci Resolve'.



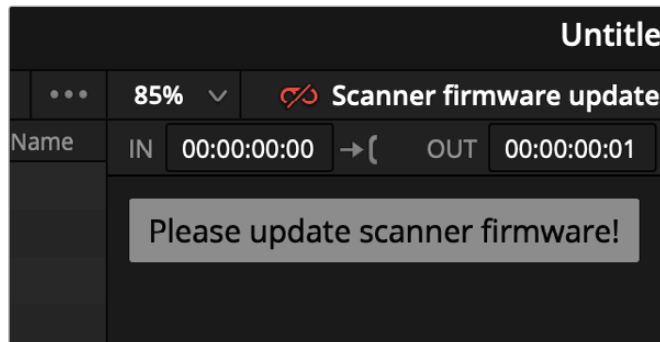
DaVinci Resolve's film scanner panel controls all capture settings

Firmware Updates

Cintel Scanner and Audio and KeyCode Reader both have internal firmware that may need an update after you install the Cintel Scanner software on your computer.

Cintel Scanner

After you install the Cintel Scanner software on your computer and connect the Cintel Scanner, it will determine whether your scanner's firmware needs an update.



DaVinci Resolve shows a message when the Cintel Scanner is locked

Audio and KeyCode Reader

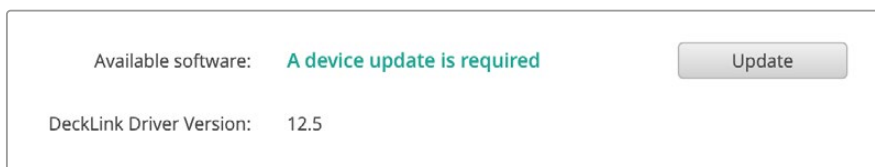
When the KeyCode Reader requires a firmware update, the reader is locked and DaVinci Resolve shows a message to remind you to update the Reader's firmware, similarly to firmware updates as shown in the previous image.

Performing a Firmware Update

Software updates for the firmware on your Cintel Scanner and Audio and KeyCode Reader are managed through the Cintel Setup utility.

To update the firmware for Cintel Scanner or Audio and KeyCode Reader:

- 1 Connect your Cintel Scanner to power and to your computer's Thunderbolt 3 or PCIe port.
- 2 If you are updating the Audio and KeyCode Reader, connect it to your computer with a USB-C cable.
- 3 Run the Cintel Setup utility and select the scanner or audio device.
- 4 Click the settings button and go to the 'setup' tab. If an update is available, click the 'update' button.



The 'setup' tab shows you if a new version of firmware is available for Cintel Film Scanner or Cintel Audio and KeyCode Reader

The firmware is now up to date, giving you the latest settings, features and compatibility.

Software Development Kit

Blackmagic Design provides a free software development kit for your scanner. The SDK is cross platform so your software can run on Mac, Windows or Linux. The SDK provides example applications that let you control your scanner like in DaVinci Resolve, but from a command line.

You can use the Cintel Scanner SDK to develop software to control your scanner, change settings, initiate scans, and process clips. DaVinci Resolve Studio is included with your scanner, however, you can use the SDK to develop software to run your scanner on computers that may not match recommended specification for DaVinci Resolve. For more information, see the Developer page at www.blackmagicdesign.com/developer.

What is HDR?

High Dynamic Range, or HDR, is a technique of combining multiple images at different exposures to extend the overall dynamic range of an image as well as to improve the noise performance. The scanner performs HDR scanning in a two pass process. The first pass is a scan at the normal exposure. The second pass is at a significantly higher exposure to give more detail in the lowlights for prints or highlights for negatives. When the normal and high exposures are blended, the result is a higher bit depth image.



Normal exposure pass on the left with the high exposure pass on the right

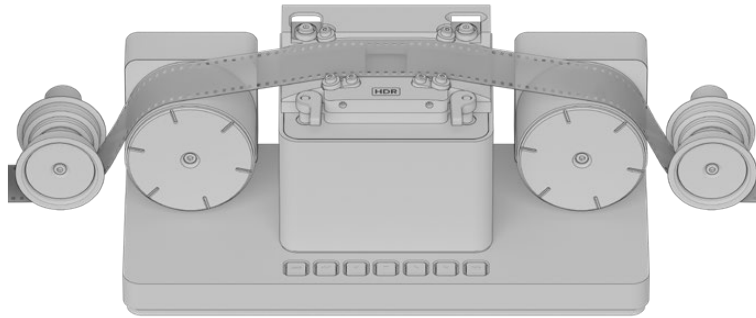


These images are scanned from the same frame and zoomed in to demonstrate the difference between an HDR scan, shown on the left, and a standard scan shown on the right. The HDR scan exhibits less noise, more accurate colors and better shadow and highlight detail.

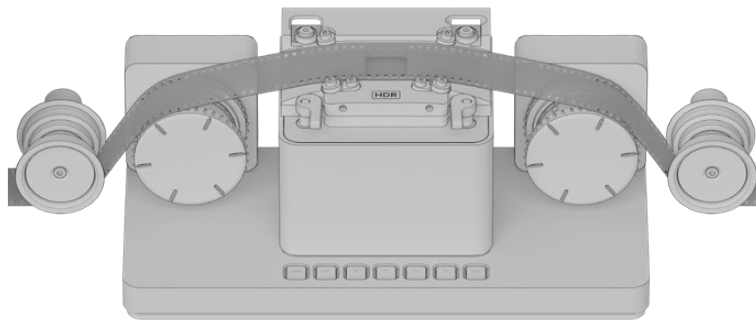
The high precision HDR gates and the image stabilizer align the initial scan and high exposure scan with sub pixel accuracy using a high quality resize filter, which creates an HDR clip free of alignment artifacts.

Drive Wheel Types

Cintel Scanner comes equipped with capstans or sprocket wheels depending on the model of scanner. Both types of drive wheels rotate to advance or rewind the film, and then stop to align each frame accurately within the gate of the image sensor. Drive wheels are integral to the scanner and cannot be exchanged for a different type of drive wheel.



Capstans grip the film with a moderate amount of friction and are gentle on film with fragile or damaged perforations



Sprocket wheels have a series of teeth to engage with perforations in the film without making contact with the area of film containing the image frame

The leading drive wheel drags the film, while the secondary drive wheel acts as a tensioner wheel to make sure the film is traveling smoothly over the skid plate. The symmetrical arrangement of drive wheels in Cintel Scanner means it can transport film forward or backward with equal care and precision at a wide range of speeds.

Lacing Film

Now that your scanner and DaVinci Resolve are communicating with each other, you can lace up your film.

Accessing the Scanner

Open your scanner's sliding doors.

On the internal front panel you'll see a feeding spool on the left, and a take up spool on the right. The feeding spool holds the film to be scanned, and the taking spool collects the scanned film.

Setting Film Wind

Set the 'wind type' so the spools turn in the appropriate direction. Go to DaVinci Resolve's film scanner panel and set the 'wind type' to B/A by clicking 'B' and 'A' on the 'supply spool' and 'take up spool' buttons respectively.

B/A is your scanner's default wind type which has the feeding spool traveling in a clockwise direction and the taking spool traveling counter clockwise. Refer to the 'wind types' section in this manual for more information.

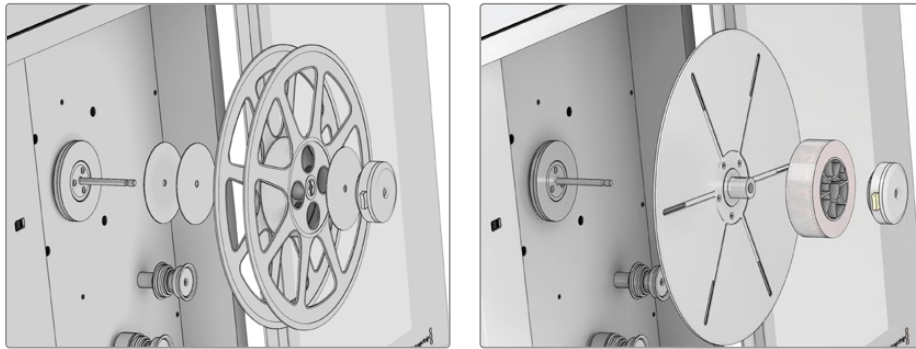
This is a good time to make sure that your settings are appropriate for your film type and size. You can select the appropriate film type and gauge in DaVinci Resolve's film scanner panel, as well as 8mm, 16mm, 35mm and various perforation layouts.

Preparing the Take Up Spool

Slide the supplied 75mm spool core and core clamp onto your scanner's taking spindle. To apply the core clamp, hold in the clamp's button and push it onto the spindle until you feel resistance, then release the button and push the clamp on the rest of the way until you hear a 'click.'

Loading Film

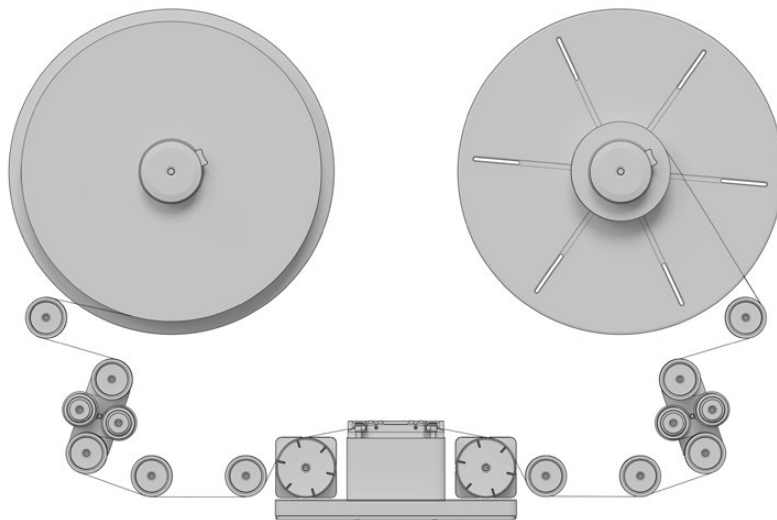
Load your film reel or core onto the feeder spindle following the same procedure in step 3. Note that the procedure differs slightly depending on whether your film is on a reel, and whether it is 35mm, 16mm or 8mm. For example, when loading a core, you'll need to insert the provided backing plate, whereas loading a reel only requires the use of spacers.



The illustration above shows loading a 35mm film reel and core. When loading film reels, the backing plate is not required and you can simply use the spacers provided. When loading film on a core, the supplied backing plate is required.

Lacing Film

Gently lace several feet of the film leader through your scanner's rollers using the following illustration as a guide.



Your scanner's default B/A wind loads from the bottom of the feeding spool and onto the top of the taking spool

Tensioning Film

To secure your film to the taking spool, insert the end of your film into the small notch provided in the spool, then gently hand wind the spool a few times to hold the film in place.

If you don't want to bend the end of the film inside the notch, you can easily use the friction of the film winding onto itself to secure your film to the spool. You can also use very light adhesive tape.

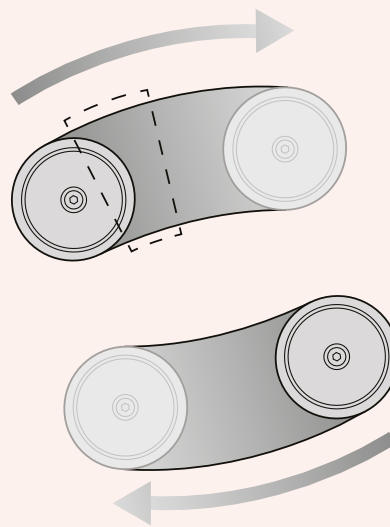
Begin tensioning by pressing the 'load button,' or by manually turning the feeding and taking spools simultaneously.

Manual Tensioning

You'll notice the compliance arms below each spool begin to move as you manually introduce tension as in the diagram below. Once these are about a third of the way through their range of motion, hold the spools in place for a second or two. Your scanner will detect secured film on the taking spool, and its tensioning feature will automatically activate, taking up the rest of the slack.

If at any point in a manual or automatic load you notice a problem, you can cancel the load procedure by pressing the 'load' button again or firmly holding the feeding or taking spool.

Your scanner will recognise either action and abort the load.



When manually tensioning film, you only need to apply enough tension to move the compliance arms into the 'sweet spot' of their movement range - a little under half way. Your scanner will automatically take up any additional slack.

Inspecting your Film

Check that the film is laced properly by pressing the 'play' button on your scanner or clicking the 'play' button in DaVinci Resolve's film scanner panel. If you see your film image playing in the viewer, or on an HDMI monitor if connected, you'll know your scanner is working.

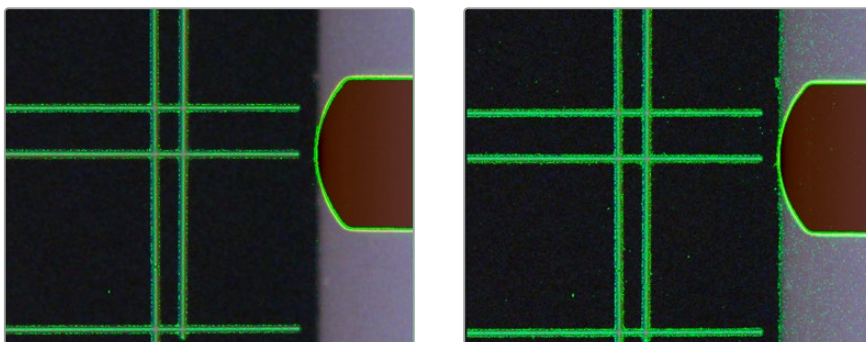
Depending on the wind type you've used, you may find that the image is flipped horizontally or vertically. You can fix this by selecting the appropriate film type. For instance, negative film may appear flipped left to right until the 'negative' setting is selected. If you can't fix this by selecting your film type, you may need to reload your film using a different wind type.

To examine the condition of the film being scanned on Cintel Scanner G3 HDR+, press and hold the 'stop' or 'play' button for 2 seconds. This will engage 'inspect mode' which will lower the intensity of the light source on the film, allowing you to see any defects, dirt or scratches on the film. This will allow you to examine the film properly and consider the need for cleaning or fixing of the film reel.

Focusing

Just like focusing the lens on a camera, you'll need to focus the projected film image on your scanner's sensor. The focus dial is located on your scanner's center column. The most accurate way to achieve perfect focus is to use the 'focus assist' feature in DaVinci Resolve's film scanner panel. Similar to the focus peaking feature in Blackmagic cameras, focus assist displays a green edge around the sharpest points in your image. This lets you easily adjust focus until the green highlights are at their strongest.

Simply turn the focus assist feature on by enabling the checkbox in DaVinci Resolve's film scanner panel, then watch the HDMI output from your Cintel scanner, or the viewer in the film scanner panel, as you adjust the focus dial. Film grain is a terrific indicator. When the grain in the film is registering the green edges at their strongest, your image is in perfect focus.



Film grain is perfect for setting accurate focus using the 'focus assist' feature. In the above example you can see the image out of focus on the left and in focus on the right. The focus assist feature can be seen highlighting the grain, most visible inside the perforation area.

The focus assist feature works best when using negative film types, as negative is generally sharper with the most grain detail.

To get the most from the focus assist feature, set the viewer to full resolution. Simply click on the options settings at the top right corner of the viewer and select 'full resolution preview' from the menu.

It's worth mentioning that full resolution preview will remain set until you choose to disable it. The setting is very GPU intensive and can affect the performance of the viewer, for example there may be some frame lag, so it may be helpful to use full resolution for checking focus, then turning it off for better performance.

Closing the Scanner Doors

For the best quality scan we recommend closing your scanner's sliding doors. The doors are designed to gently close when they are almost shut, so all you need to do is slide them towards each other until you feel the spring mechanism take over. When closed, the doors will block any light from entering the film gate.

Your scanner's high quality light source eliminates light pollution in all but the most brightly lit workspaces. Because film is quite shiny it can reflect lights in the ceiling which may show up as blotches in your capture. You can avoid this by keeping the scanner doors shut while scanning.

Now that you have laced your film, set the tension, focused your image and closed the scanner doors, you can start capturing!

Please refer to the Cintel section of the DaVinci Resolve reference manual for details on calibrating the light source, setting the stabiliser, and the capture palette settings for capturing images. The DaVinci reference manual also details how to sync optical audio and shows how you can manage your capture files when scanning.

If you are looking for information on how to maintain and service your scanner, including detailed information about your scanner's technical specifications, refer to the 'servicing' and 'specifications' sections near the end of this manual.

Using Your Scanner

This section of the manual shows you how to load different film wind types for 8mm and 16mm film, provides instructions on installing and adjusting the optional 8mm and 16mm gate kits and describes how to use the local transport controls on your Cintel scanner.

Wind Types

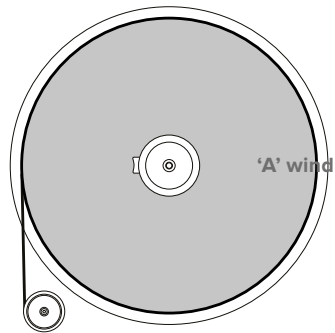
The 'wind type' refers to the loading and unloading position, as well as the turn direction of film on your scanner's feeding and taking spools. As you can see in the diagram below, an 'A' wind refers to film loading/unloading from the top of the spool, while a B type loads or unloads from the bottom. This is true for both the feeding and taking spools.

The default wind type for your scanner is a B/A wind, meaning the feeding spool unloads from the bottom and the taking spool loads across the top. If the film you are working with has been wound a different way, other combinations of A and B winds are supported; simply select the appropriate wind type via the 'feed' and 'take up' buttons in DaVinci Resolve's film scanner panel.

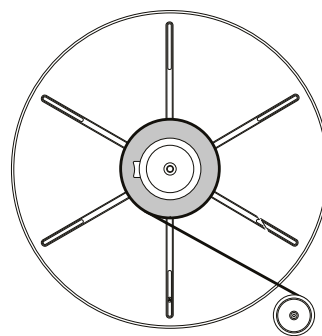
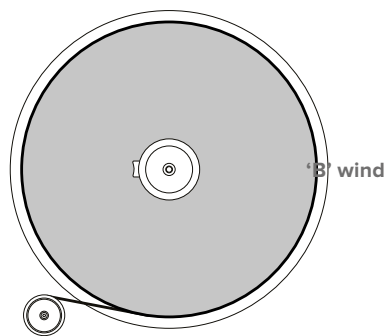
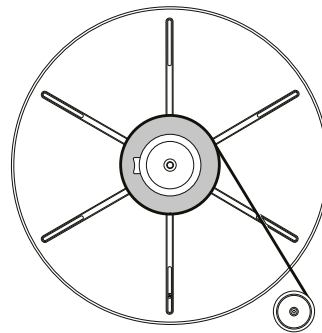
Wind type affects which direction each spool turns, the position of the audio information and perforations, and whether your film travels across the skid plate emulsion side up or down, so it is important to use the appropriate combination for your project.

Select the appropriate wind type in DaVinci Resolve's film scanner panel settings.

Feeding spool



Taking spool



An easy way to remember the difference between A and B winds is that A winds unload and take up film from the top of the reel or spool, while B winds do the same from the bottom

Switching to 16mm

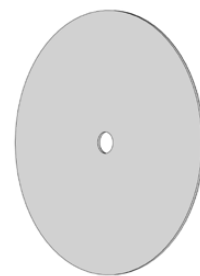
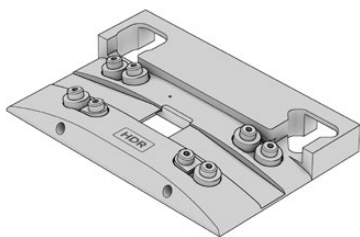
The optional Cintel Scanner 16mm gate kit contains all the parts you'll require and making the changes to your scanner's setup are minimal.

16mm Skid Plate

16mm Inner Spacer

Outer Spacer

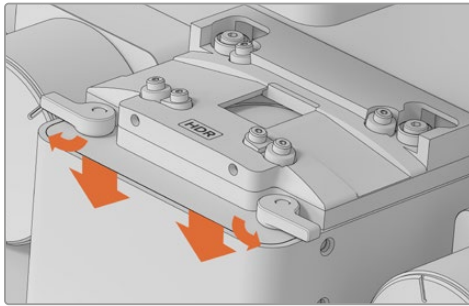
1mm Spacer



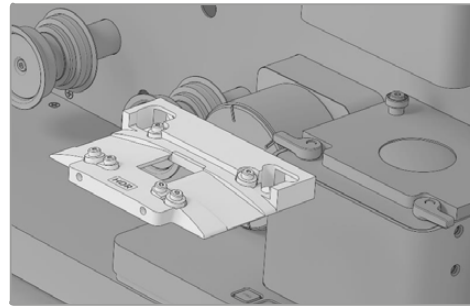
The 16mm kit contains a 16mm skid plate, two 16mm spacers, two 16mm outer spacers and four 1mm spacers

Swapping the Skid Plate

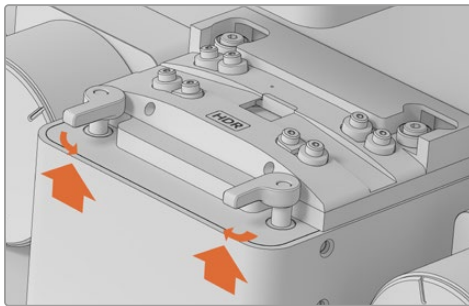
Swap the 35mm skid plate with the 16mm skid plate by pushing the retention levers down on the front of the 35mm plate and turning them outwards. Now remove the 35mm plate and replace it with the 16mm plate. When fitting a skid plate, make sure that the retention levers are lifted all the way up before turning them inwards, or the plate may not seat properly.



When removing the skid plate you will need to push the retention levers down and then turn them outward



Removing the 35mm skid plate to install the 16mm skid plate



To secure a skid plate lift the retention levers all the way up and turn them inward

Inserting the 16mm Inner Spacer

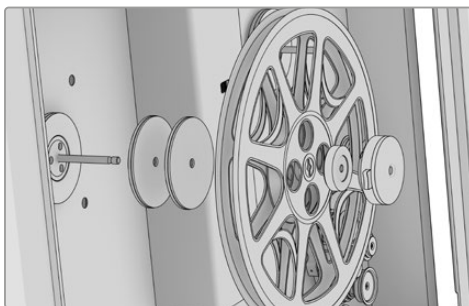
Insert the rubber 16mm inner spacer at the base of the feeding and taking spools. The rubber spacer goes on grooved side inwards prior to a backing plate, spool or reel.

Optional Additional Spacers

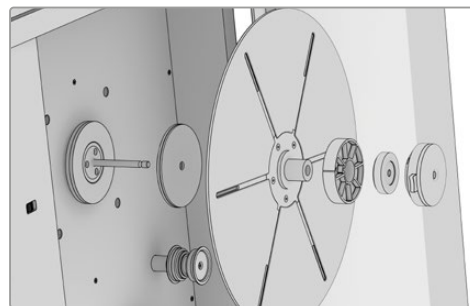
Additional 1mm rubber spacers are included in the 16mm Gate Kit for when mounting a reel. You can use these spacers if you need to adjust the alignment of the film with your scanner's rollers.

Mounting your Film

After mounting your 16mm core or reel to the feeding spool, and a backing plate and core to the taking spool, you'll need to install the outer spacer to secure the spools. This spacer has both a notch and a rubber ring on its inside edge to secure it to cores or reels, respectively. Once this is in place, secure the spools as you would normally.



Reel mounting shown from spindle outwards includes 2 x inner 16mm spacers, 16mm reel, outer spacer and core clamp



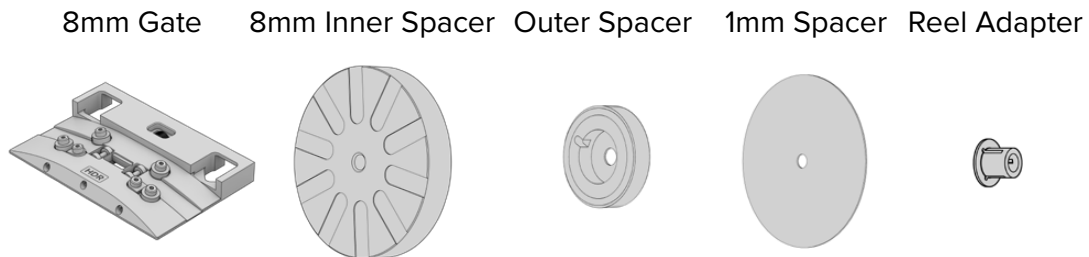
Core mounting shown from spindle outwards includes inner 16mm spacer, backing plate, 16mm core, outer spacer and core clamp

Lacing

Complete the lacing procedure as you would for 35mm film. Before pressing 'load' or manually tensioning your 16mm film, make sure that the film is properly threaded over the drive wheels smoothly to avoid damage to the film.

Switching to 8mm

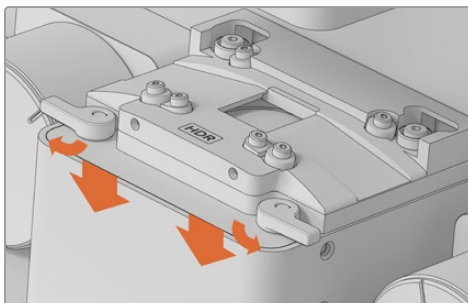
The optional Cintel Scanner 8mm gate kit contains all the parts you'll require, making changes to your scanner's setup minimal.



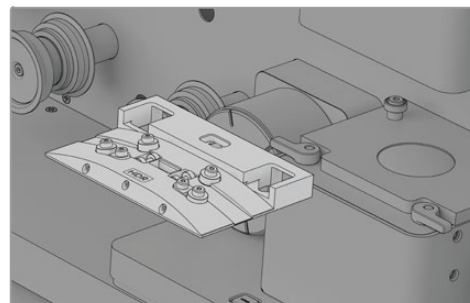
The 8mm kit contains the 8mm gate, two 8mm inner spacers, two outer spacers, four 1mm spacers and two 8mm to Super 8mm reel adapters

Replacing the Skid Plate with the 8mm Gate

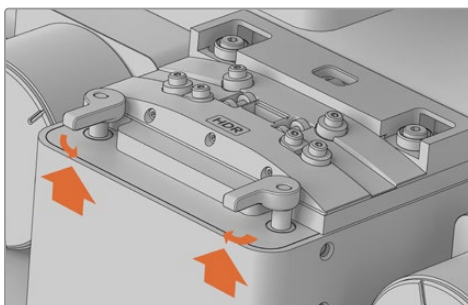
Swap the skid plate with the 8mm gate by pushing the retention levers down on the front of the plate and turning them outwards. Now remove and replace it with the 8mm gate. When fitting the gate, make sure the retention levers are lifted all the way up before turning them inwards or the gate may not seat properly.



When removing the skid plate you will need to push the retention levers down and then turn them outward



Removing the 35mm skid plate to install the 8mm gate



To secure the gate, lift the retention levers all the way up and turn them inward

Inserting the 8mm Inner Spacer

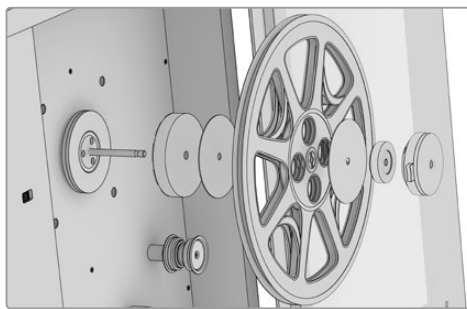
Insert the metal 8mm inner spacer at the base of the feeding and taking spools. The rubber spacer goes on the grooved side inwards prior to a reel.

Optional Additional Spacers

Additional 1mm rubber spacers are included in the 8mm gate kit for when mounting different style reels. You can use these spacers on either side of the reel as required if you need to adjust the alignment of the film reel with your scanner's rollers.

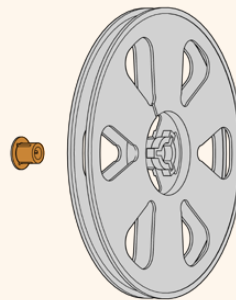
Mounting your Film

After mounting your 8mm reel to the feeding spool and an empty film reel to the taking spool, you'll need to install the outer spacer to secure the spools. Once this is in place, secure the reels as you would normally.



Reel mounting shown from spindle outwards includes 8mm spacer, 1mm spacer, 8mm reel, 1mm spacer, outer spacer and core clamp

TIP If you are loading Super 8mm film, fit the supplied Super 8mm reel adapters to each reel. The adapters ensure the reel is correctly mounted on the spindle.

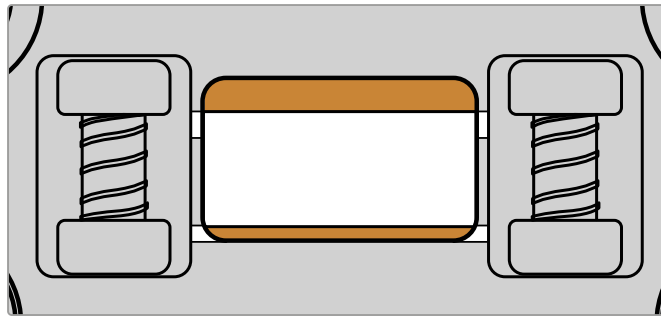


Lacing

Complete the lacing procedure as you would for 35mm film. Before pressing 'load' or manually tensioning your 8mm film, make sure the film is properly threaded over the drive wheels smoothly to avoid damage to the film.

Switching Between 8mm Film Gauges

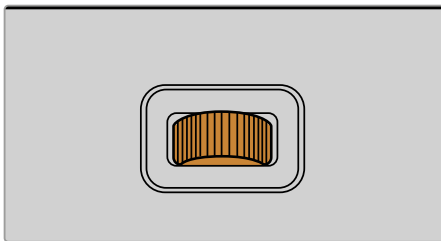
The optional 8mm gate features adjustable aperture shutters for switching between Standard 8mm, Super 8mm and Max 8mm film. Adjusting the aperture shutters to the film's non active image area reduces film edge 'flare' and helps optimize image stability tracking regions.



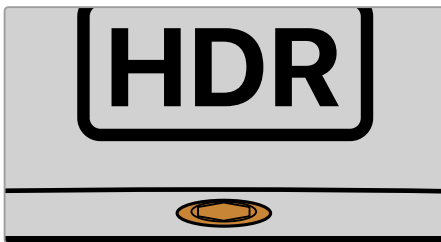
The 8mm gate features adjustable aperture shutters

To help make adjustments, there are white reference lines on the top face of the gate indicating the alignment for each film gauge. These reference lines are for guidance as film can have shrinkage or camera aperture variations, final refinement can be performed by loading a film sample and monitoring the local HDMI display or DaVinci Resolve preview.

To adjust the aperture shutters:

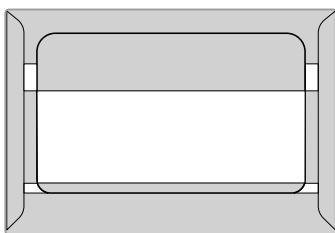


Use the thumb wheel towards the back of the gate to adjust the upper perforation side shutter. This allows you to switch between Standard 8mm and Super 8mm film.

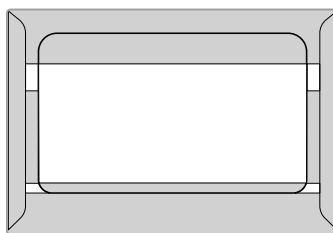


Using a 2mm Allen key, turn the center screw on the front of the gate to adjust the lower, offside shutter. Adjusting this shutter allows you to switch between Super 8mm and Max 8mm film.

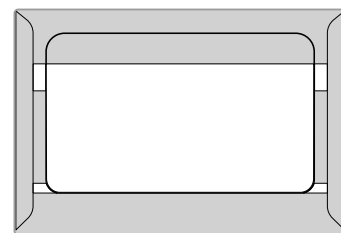
The illustrations below show the aperture shutters adjusted for Standard 8mm, Super 8mm and Max 8mm film:



Standard 8mm



Super 8mm



Max 8mm

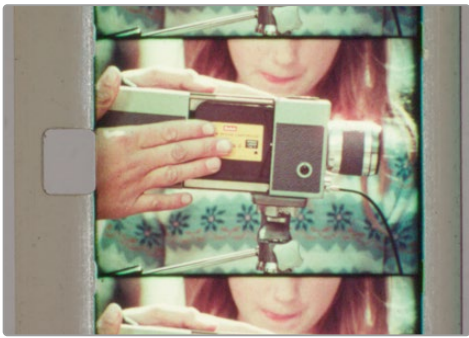
Once the aperture shutters have been adjusted, you can load a film sample and make final refinements to align the aperture shutters with the film's non active image area.



Incorrect setup shows the aperture shutters are set too wide resulting in light areas on both sides of the image



Incorrect setup shows the aperture shutters are set too narrow resulting in dark areas on both sides of the image

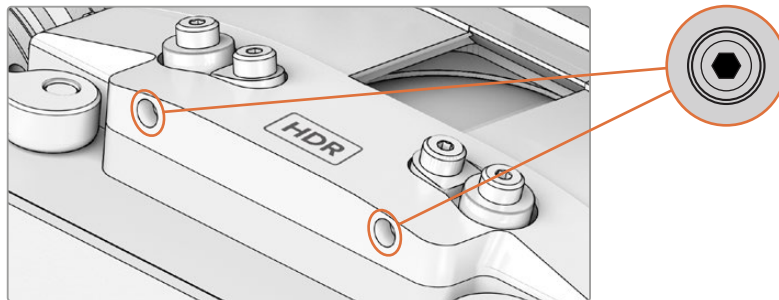


Correct setup shows the aperture shutters are adjusted correctly to the edge of the film's non active image area

Film Path Tension Screws

The four roller bearings on the skid plate keep the film moving in a defined path and help to minimize gate weave. If some of the bearings are not making contact with the film during a scan, their tension can be adjusted. To do this, lightly tighten the M4 tension screws on the front of the skid plate or 8mm gate using a 2mm hex driver.

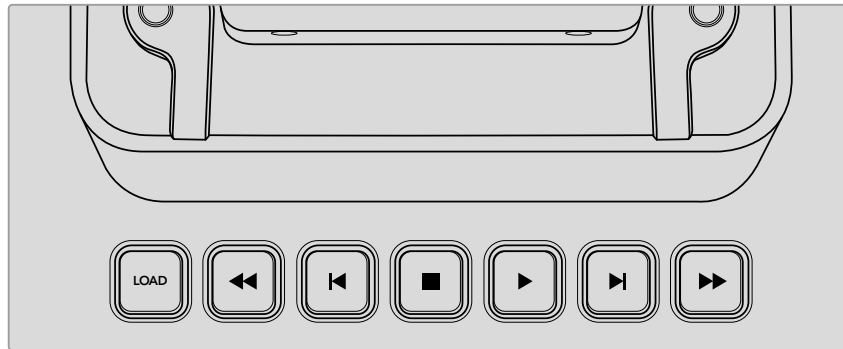
It's worth mentioning that if too much tension is applied, it can slightly shift the position of the image, which may affect your scan. If this happens, simply reverse your tension adjustments until your scan returns to normal.



The film path tension screws are located at the front of the 8mm gate and the 16mm and 35mm skid plates

Playback Controls

The following playback controls are available in DaVinci Resolve and on your scanner.



Your scanner has built in controls for loading, unloading, and previewing scans



Load

Pressing 'load' will tension the film loaded onto your scanner's feeding and taking spools as described in the section 'lacing film.'

Pressing load once your film is properly tensioned will unload the film by returning the compliance arms to their slack position.



Rewind

Press rewind to wind your film back onto the feeding spool. Pressing this button once will rapidly rewind your film until it reaches the threshold of a fully loaded 75mm spool, at which point it will stop. Press rewind again to slowly wind the rest of your film all the way onto the feeding spool and unload your scanner.

If you are using a 50mm spool, your scanner will initially stop at the 75mm threshold. Pressing rewind a second time will then slowly rewind until the point a 75mm spool should have been fully rewound. If your scanner detects film still loaded at this point, it will resume rewinding quickly until reaching the 50mm threshold, where it will stop again. Press 'rewind' a third time to completely rewind a 50mm spool. For 8mm film reels the thresholds are programmed at 63mm or 32mm film reels core diameters respectively.

Due to the rarity of 100mm spools, your scanner is not programmed to stop prior to hitting the 100mm threshold. If you are using a 100mm spool, take care with your method of loading film onto the taking spool. Please use the provided notch, or if you don't want to bend the end of the film inside the notch, you can use friction from the film winding onto itself. Avoid using adhesive tape when loading 100mm spools to make sure your spool unloads cleanly.



Step Back

Rewinds the film one frame. You can also hold down the 'step back' button to play the film backward at slow speed.



Stop

Stops playback, fast forward and rewind.



Play

Plays the film. The default frame rate is 24 frames per second. You can set the playback frame rate and 'play reverse' in DaVinci Resolve's film scanner panel.



Step Forward

Advances the film one frame. You can also hold down the 'step forward' button to play the film forward at slow speed.



Fast Forward

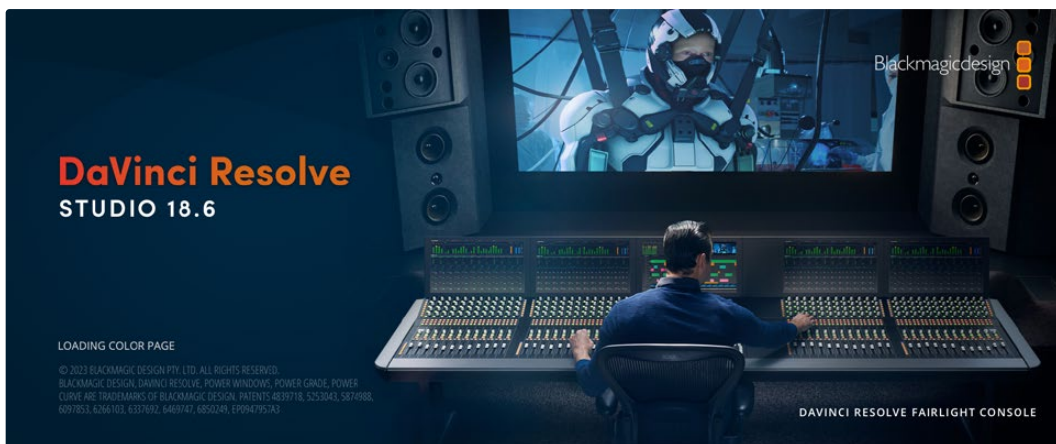
Rapidly advances the film onto the taking spool. The stopping action performs the same way as rewind for 50, 75 and 100mm spools.

When you hold down your scanner's 'step back' or 'step forward' button, the scanner advances or reverses playback at 4 frames per second. You can perform the same 'step back' and 'step forward' transport controls in DaVinci Resolve's film scanner panel by clicking and holding the buttons with your mouse.

Standby Mode

When inactive, your scanner will enter standby mode to preserve the longevity of the light source. This happens after 15 minutes when connected via Thunderbolt, or 1.5 minutes when no software is connected. Your scanner will signal that it is entering standby mode by flashing the light source.

Capturing Using DaVinci Resolve



This section of the manual shows you how to use settings and features in DaVinci Resolve's film scanner panel to control your scanner. For example calibrating your scanner, adjusting the light source strength and color temperature, setting image stabilization, and more. You can even set how gentle your Cintel scanner handles film which may have become delicate with age.

TIP DaVinci Resolve saves all scanner settings in your current project.

The Cintel Scanner Interface

Click on the 'capture' button in the UI toolbar at the top of the DaVinci Resolve screen to set the media page to control your Cintel scanner. Open DaVinci Resolve's film scanner panel to set up, calibrate, and choose options for logging or scanning a selected range of the currently spooled roll of film. If you want more room for viewing the Cintel scanner controls, click the full height button that's all the way to the right of the UI toolbar and turn off the 'metadata' panel.



Cintel scanner controls in the 'media' page

Transport Controls

The transport controls under the viewer, while similar in appearance to those used while in playback mode, now work to control the Cintel scanner. Additional controls appear for moving forward or backward a frame at a time.

In and Out Controls

In Cintel Scanner mode, the 'in' and 'out' buttons to the right of the transport controls define a range of the film roll from which to capture.

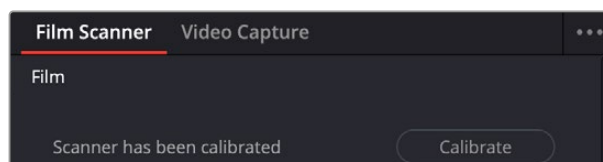
The following groups of settings appear to the right of the 'media' page viewer when in Cintel Scanner mode to scan clips from film into the media pool.

Film Controls

The film controls provide options to calibrate the scanner's optics, select the film type, adjust the frame alignment, scan speed and spool wind direction, choose the reel type and turn the focus assist feature on or off.

Calibration

This option lets you calibrate the optics of the scanner to eliminate optical blemishes or dust that cannot be removed. Please note that this feature does not remove dust from the film itself.



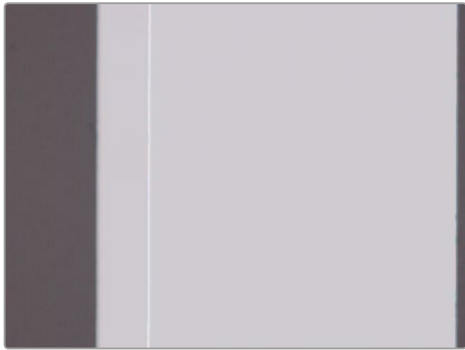
The 'calibrate' button can be used to help remove dust or small blemishes from the optics of your Cintel scanner

While it's recommended to "spray dust" the optics before scanning new material, it's possible over time for some blemishes on the optics to be unremovable, in which case using the calibrate button will eliminate them from the scanned image.

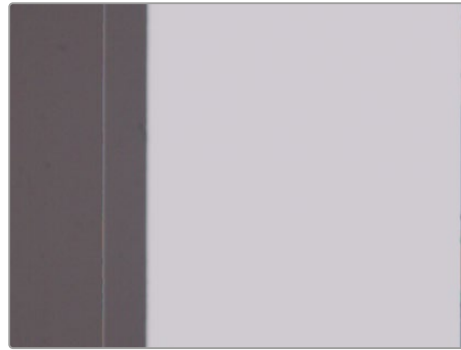
Calibrate the optics with the skid plate installed and correctly aligned, as this assists with image stabilization and offers the best image quality.

To support small gauge film types, the calibration button also analyzes the gate fitted and adjusts the captured image to a datum reference. To permit this, the calibration process should be run on every gate swap with no film in the gate to ensure optimum performance.

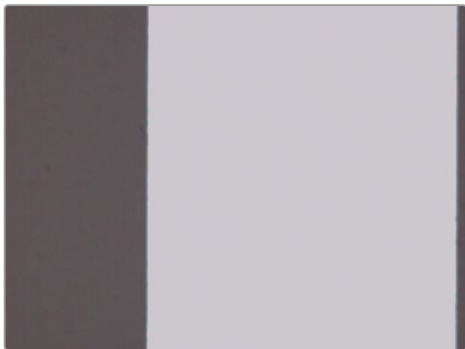
If you are using the 8mm gate and have adjusted the aperture shutters to switch to a different 8mm film gauge, you will need to repeat the calibration process to avoid a 'ghost image' of the previous calibration.



Incorrect calibration shows Super 8mm film with a Standard 8mm calibration



Incorrect calibration shows Standard 8mm film with a Super 8mm calibration

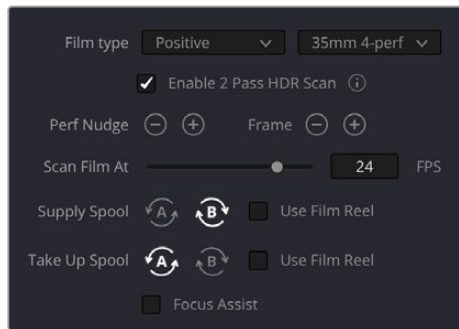


Correct calibration of Standard 8mm film

Film Type

Lets you choose what type of film you're scanning. For color as well as black and white film, the choices are positive, negative, interpositive, and internegative. HDR scanning offers an improvement for all these film types. Select the film type you're scanning from 35mm 2, 3, and 4 perf, 16mm, Super 8mm and 8mm. The scanner automatically detects whether the film is 35mm, 16mm or 8mm. For 8mm scanning, the default is set to Super 8mm. When scanning regular 8mm, you will need to manually set your scanner for that specific film type.

When scanning interpositive and internegative film on Cintel Scanner and Cintel Scanner G2, the increased density of the film requires slightly extended pulse durations from the light source. Normally, this does not affect the scan, however, a slight reduction in resolution may occur when scanning at above 12 frames per second. If you do notice a difference in resolution, simply reduce your scanning speed to 12 frames per second or less.



Film type controls in the media page

Enable 2 Pass HDR Scan

Enables high dynamic range multi pass capture. It is important to perform an 'auto black' or 'auto white' on a frame with a wide dynamic range as it determines the high and normal exposure levels from your selected frame.

Perf Nudge

Used for making fine adjustments of the perf position relative to the scanner gate aperture. Command-J nudges up, while Command-L nudges down.

Frame

These buttons are push and hold to activate. When on, the film is slowly advanced to move the frame up or down and when released the film stops in place. This is useful for aligning the film frame with the scanner's sensor. Using the 'perf nudge' and 'frame' buttons, you want to align the visible film frame so the bottom of the previous frame and the top of the next frame are just visible at the top and bottom of the viewer, and the current frame is centered vertically.

It's important to make sure the image in the viewer is not zoomed in when you do this. Command-Left Arrow on your keyboard moves the frame up, while Command-Right Arrow moves the frame down.

Scan Speed

With adequate disk performance, you should be able to scan at 30 fps. However, if you're scanning to a slow hard drive, you can reduce the scanning speed to a frame rate that's suitable for your workstation without dropping frames.

Supply Spool

Sets the wind direction of the left-hand side feed spool. While auto detection will prevent incorrect operation, you should manually configure the reel winding direction based on how each film roll is wound.

Take Up Spool

Sets the wind direction of the right hand side take up spool. While auto detection will prevent incorrect operation, you should manually configure the reel winding direction based on how each film roll is wound.

Use Film Reel

Small film reels have a different weight and inertia compared to large film spools, and this can affect the transport system. Tick this box to switch to settings that offer improved stability for small film reels.

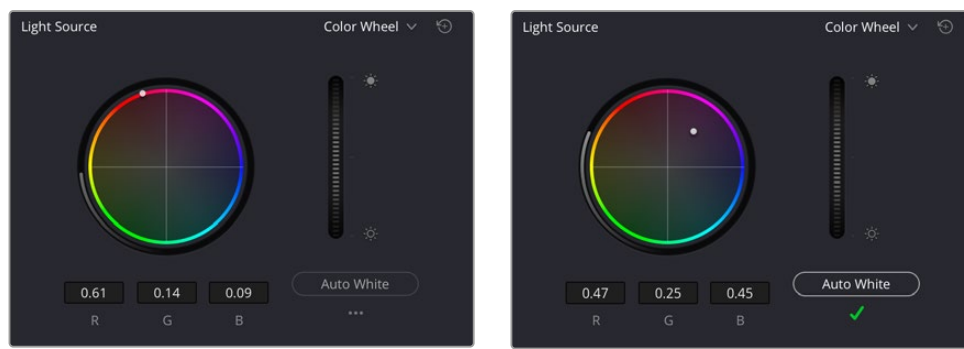
Focus Assist

Enables luminance peaking on your scanner's HDMI monitor output, plus the viewer inside DaVinci Resolve's film scanner panel, which makes it easy to obtain optimum focus adjustments.

Adjusting the Light Source

These controls let you adjust your Cintel Scanner's light source to calibrate the optimal Dmin density minimum. The Dmin density minimum is the minimum scanned value, plus the color temperature of the scanned material. Adjusting the light source settings correctly will ensure the best quality scans and make sure you are not clipping image data during the scanning process. It's a good idea to check your light source settings when changing film to ensure the quality of your capture.

Use the built in software scopes in DaVinci Resolve to help you set your light source to its optimal level settings. The scopes can be opened in the media page by choosing Workspace > Video Scopes > On.



On the left, the light source controls show the default uncalibrated status of the light source and on the right, the status when calibration is successful

Light Source Master Wheel

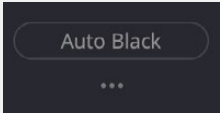
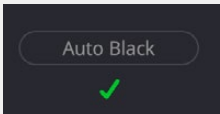
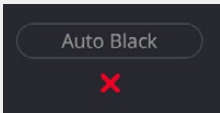
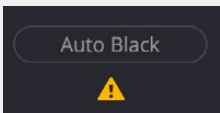
The vertical light source master wheel is located next to the color wheel and adjusts the intensity of the light source used to illuminate the film, raising or lowering the RGB channels all at once. For typical negative film, this lets you adjust the black point of the film image, which is the darkest part of the image. In negative film, this in fact corresponds to the highlights of the film image. Adjust the light intensity to sit just above the typical Dmin value of 95, as measured on the histogram of the video scopes, which guarantees that the highlights won't be clipped by a Cineon-style LOG conversion. For positive film, simply adjust the master wheel so that no part of the signal is being clipped.

Auto Black and Auto White Button

Analyzes the current frame displayed in the viewer and does an automatic adjustment to set the black point for negative and inter negative using the framing bar area. For print and inter positive film it uses the brightest highlight in the image area to set the white point, so key selection of the frame is important. Alternatively, for positive film types you can use a punch hole frame for maximum white to ensure all subsequent frames are compliant. For positive film types, the 'auto black' button changes to 'auto white'.

Light Source Status Indicators

These indicators under the 'auto' button let you know if the auto black or auto white light source calibration has been successful or if there are items to address. They also provide a helpful reminder to recalibrate the LED light source to ensure the highest quality scans.

	Light source calibration has not yet been performed.
	Light source calibration has performed successfully.
	Light source calibration failed. Verify you have the correct film type selected, the light path is not obstructed and a suitable reference frame is selected. If required, try advancing film and selecting an alternate reference frame.
	Light source calibration has successfully balanced colours but not at desired levels. As a solution, you can accept the balanced scan and optimize the image in DaVinci Resolve's color page or select an alternate reference frame for calibration with a wider dynamic range.

RGB Controls

By default, a color balance control lets you adjust all three color channels by varying amounts to alter the color temperature of the light source used to illuminate the film, while the adjusted R, G, and B values are displayed in three fields below. Optionally, you can choose to put this control into 'color bars' mode using the mode pop-up to the right of the 'light source' title bar, which changes this control to three vertical red, green, and blue color channel sliders.

NOTE The light source calibration is saved when you change rolls. This allows you to scan multiple rolls with a single light source calibration in both SDR and HDR modes. The last light source calibration will be saved until a new calibration is performed, or until your Cintel Scanner is power cycled.

Image Stabilization

These controls let you enable and disable as well as control image stabilization to eliminate vertical film hop and horizontal weave.

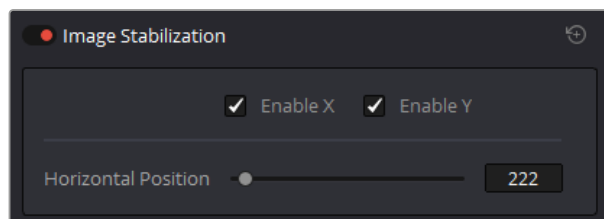


Image Stabilization controls in the media page

Image Stabilization Enable/Disable Control

The dot to the left of the 'image stabilization' title bar lets you enable or disable your scanner's hardware-based image stabilization altogether. While hardware stabilization is typically desirable when you have high quality perforations, you may want to turn this option off if the condition of the perforations is poor and you decide to use DaVinci's software based stabilization instead.

When image stabilization is enabled, a horizontal X axis detection overlay is displayed in the viewer, highlighting the edge of the film perforation that will be used as the reference for stabilization. This overlay is automatically hidden when recording. Image stabilization is enabled by default.

Enable X and Y Checkboxes

Enable X and enable Y lets you choose whether to use hardware image stabilization to fix horizontal gate weave and vertical gate hop respectively. If the results are unsatisfactory with both axes enabled, you can turn off the axis that's causing issues with stabilization and utilise DaVinci Resolve's software based stabilization tools instead.

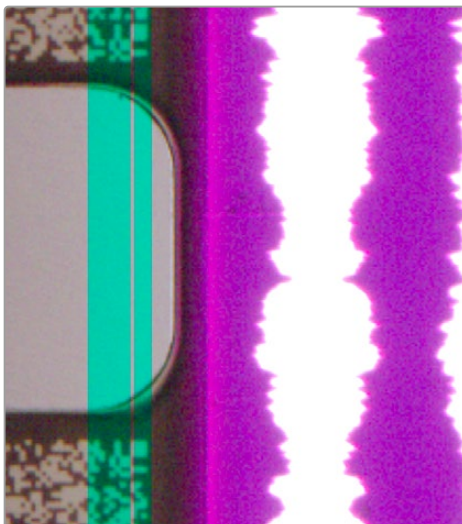
Horizontal Position Slider

Your Cintel scanner attempts to automatically place the stabilization detection overlay at the best location, with reference to the perforation shown on the currently loaded frame, for the best stabilization result.

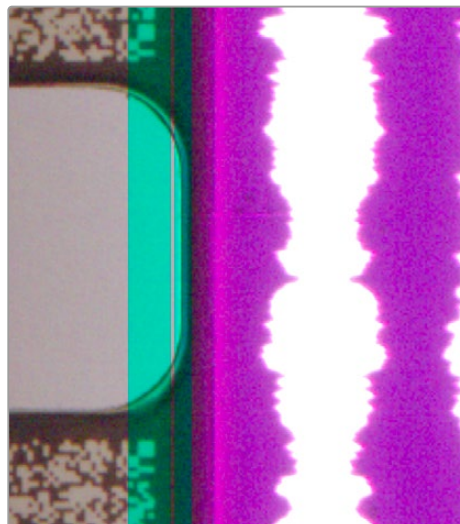
You will notice a thin transparent line in the blue alignment overlay. For optimum stabilization, this line should touch the edge of the perforation. If the automatic positioning is not ideal, you can manually move the overlay to a more ideal position, either by dragging it in the viewer with your mouse, or by using the horizontal slider.

Ideal placement of the stabilization overlay should position the clear line in the alignment overlay on the edge of the perforation, as shown in the example image. With the overlay correctly positioned, this enables hardware stabilization of gate weave along the X axis.

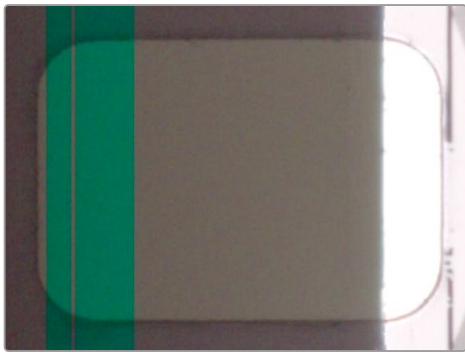
Image stabilization automatically manages vertical gate hop when you select the 'enable y' checkbox. It needs no further adjustment and works in conjunction with horizontal stabilization.



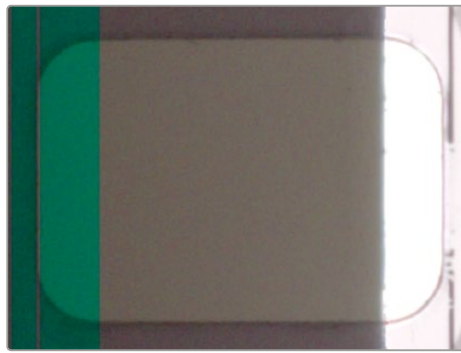
Incorrect 35mm setup. Adjusting the horizontal position of the stabilization overlay. The overlay is not aligned to the edge of the perforation.



Correct 35mm setup. The hardware stabilization control correctly positioned over a perforation in the viewer. The transparent stripe in the stabilization overlay touches the edge of the perforation.



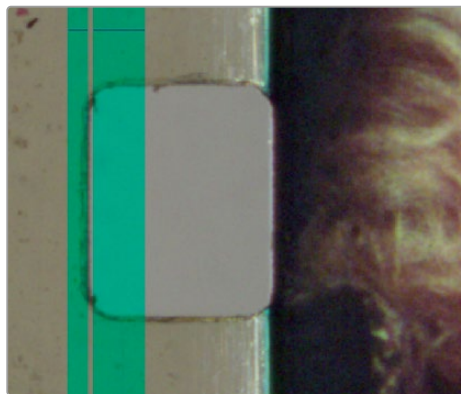
Incorrect 16mm setup. The overlay is not aligned to the edge of the perforation. With the 16mm HDR skid plate installed, the stabilizer aligns automatically to the other side of the perforation to avoid interfering with the film image and improve horizontal stability. When using a 'non-HDR' 16mm skid plate, it functions the same as the 35mm skid plate.



Correct 16mm setup. For the stabilization overlay, the default alignment position is for the left edge of the perforation as this is not affected by image content. The transparent stripe in the stabilization overlay touches the edge of the perforation correctly.



Incorrect 8mm setup. The overlay is not aligned to the edge of the perforation.



Correct 8mm setup. For the stabilization overlay, the default alignment position is for the left edge of the perforation as this is not affected by image content. The transparent stripe in the stabilization overlay touches the edge of the perforation correctly.

To closely check the results of your stabilization settings before capturing, set the viewer to full resolution and zoom into the perforation region to allow fine adjustment. Simply click on the options settings at the top right corner of the viewer and select 'full resolution preview' from the menu, click on the zoom scalar at the top left hand corner of the viewer and select '100%'. This setting does not affect the stabilization feature, but enables the best possible preview so you can monitor how well it is performing.

Full resolution preview is very GPU intensive and may result in some frame lag. For best performance, turn full resolution off after checking stabilization. It is worth mentioning that the overlay position will be saved within the project settings and not the clip settings, therefore may require individual adjustment for multiple rolls.

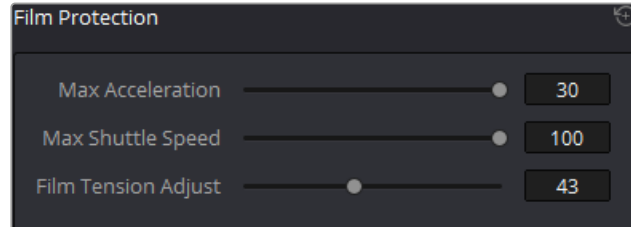
Resetting the detection overlay to its default position for a given film type can be achieved via the stabilization pane reset button.

Audio and Synchronization

The 'audio and synchronization' palette contains settings for the optional Cintel Audio and KeyCode Reader. Refer to the 'optional Audio and KeyCode Reader' section of this manual for more information.

Film Protection

These controls are intended to allow delicate film to be handled gently by the Cintel Scanner. Fast acceleration and shuttle speeds can be hard on archival footage, so it's recommended to lower both of these sliders from their defaults whenever you're scanning older film.



The 'acceleration' and 'shuttle speed' sliders should be lowered when scanning older, delicate archival film

NOTE The 'film tension adjust' slider is present when using Cintel scanners with sprockets.

Max Acceleration

Sets the maximum change in speed to increase or decrease by 5-30 fps per second.

Max Shuttle Speed

Changes the speed of shuttling from one section of film to another between 1–100 frames per second for 35mm film, and between 1–200 frames per second for 16mm film.

Film Tension Adjust

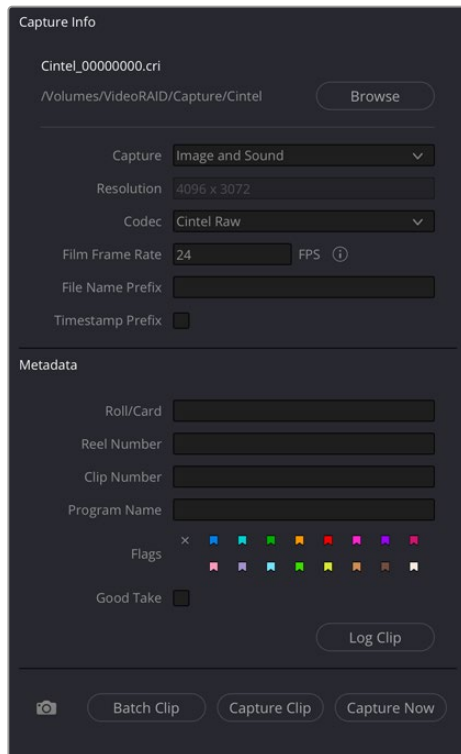
If your Cintel Scanner has sprocket wheels, this setting gives you the ability to adjust the amount of tension applied to 35mm film. For example, when loading delicate archival film, or compensating for film shrinkage. There is no possible way you can damage the film with the 'film tension adjust' setting. The adjustment values are very small and only gentle changes are all that's required to prevent sprocket picking.

If your Cintel Scanner has capstans, sprocket picking cannot occur so this setting is disabled or not present.

Editing Capture Info and Metadata

When DaVinci Resolve is used in conjunction with Cintel Scanner, a set of capture metadata fields appears at the bottom of DaVinci Resolve's film scanner panel. The 'capture info' panel has editable metadata fields that describe capture properties such as where to save files, the type of codec, frame rate, and the format of file names. This metadata is attached to your clips and can be read on the media page.

Before you begin scanning, you may want to adjust some of the project settings.



The 'capture info' panel lets you specify metadata for your scanned clips

Capture Location

Before you begin a film scanning session, scroll down to the 'capture info' section of DaVinci Resolve's film scanner panel to make sure the scanned files are being saved to the directory and volume where you want them. Click the 'browse' button and choose a location from the file destination dialog. It's good to do this first, as this step is easy to forget.

Capture

When you have a Cintel Audio and KeyCode Reader fitted, this menu gives you options for 'audio only' so no images will be captured, or 'image and sound'. Alternatively, you can capture 'image only' if audio is not important.

Resolution

The resolution of the capture files depends on the source film format so this field cannot be edited.

Codec

DaVinci Resolve selects the 'Cintel Raw' codec for lossless compression by default, or you can choose 'Cintel Raw 3:1' for even smaller file sizes.

Film Frame Rate

Specify the frame rate that the film was originally shot at. DaVinci Resolve automatically adjusts the timeline frame rate based on this value. This setting is unrelated to capture or transport speeds.

When using the optional Audio and KeyCode Reader accessory to scan audio, the reader will automatically adjust for frame rate to maintain an overall sample rate of 48kHz. Timecode output is supported for 16, 24, 25 and 30 fps, and for other frame rates no timecode signal is outputted.

File Name Prefix

Prefix to help identify the scan. This can be the name of your project, such as the title of the film you are scanning.

Timestamp Prefix

Select this checkbox to prefix your scans with a timestamp as well as the 'file name prefix' you specified. Your clips will be saved to independent sub-folders in the destination folder. This checkbox is selected by default.

If you want to save all your clips together in one master destination folder without the timecode in the file name, simply deselect the checkbox.

NOTE If you don't make capture names unique with the timestamp prefix and the files go into the same location, this could potentially overwrite files.

Roll/Card, Reel Number, Clip Number, and Program Name

These are ways to identify the clip with metadata.

Flags

You can use these color coded flags to tag clips.

Good Take

Corresponds to 'circled take' metadata in the media pool.

Log Clip

Adds a clip to the media pool. After you mark 'in' and 'out' points for a section you want to scan, confirm the metadata is correct, and then click 'log clip'. For more information, refer to the 'Logging and Capturing Individual Clips' and 'Logging and Capturing Multiple Clips' sections in the DaVinci Resolve manual.

Batch Clip, Capture Clip, Capture Now, and Snapshot

These scanning buttons offer different methods to capture clips. For more information about scanning buttons, refer to the 'Scanning One or More Sections of Film' section of this manual.

Film Scanning Workflows

The following sections describe how to scan film using DaVinci Resolve and to control the Cintel scanner. Throughout, the features outlined in the previous section are presented in the order in which you'll perform each step of the scanning process.

Before You Begin

Before turning your scanner on and loading film, you should first dust the gate to make sure your scans are as clean as possible. This can be accomplished using compressed air, but if the gate is extremely dirty, you can remove it to give it a more thorough cleaning. Once that's finished, turn on the Cintel Scanner, open DaVinci Resolve and create the project you'll be using to scan film, and then click the 'Cintel scan' button on the media page. Now click the 'Film Scanner' tab to select DaVinci Resolve's film scanner panel.

Before you load film into the scanner or do anything else, click the 'calibrate' button at the bottom left of the film scanner panel. While you should always dust the gate of the scanner before loading a new reel of film, clicking the calibrate button eliminates any unremovable blemishes in your scanner's optics from the scans you're about to make.

Load and Align the Film

Load the film you want to scan. In the presence of an image the scanner will automatically align a frame. You should note that the image may be framed incorrectly if you first load blank film leader.

Next, choose the film type. If necessary, use the 'perf nudge' and 'frame' buttons to manually improve the alignment of the framing bar to the scanner's sensor such that the bottom of the previous frame and the top of the next frame are just visible at the top and bottom of the viewer, and the current frame is centered vertically. It's important to make sure the image in the viewer is not zoomed in when you do this.

Focus the Scanner

Just as you need to focus the lens on a camera, you'll need to focus the projected film image on your scanner's sensor. To achieve perfect focus, turn on the Focus Assist checkbox in the Film Scanner capture settings of DaVinci Resolve. This superimposes a focus peaking overlay over the Ultra HD image that's output from the scanner's HDMI output, and is also displayed in DaVinci Resolve's capture window. For the best results, connect an Ultra HD display to your Cintel scanner so that you can monitor at the maximum available resolution while you focus.

With Focus Assist turned on, focus peaking will detect the film grain of the scanned image whenever the film plane is in perfect focus. This enables the operator to focus the scanner even if the film image is out of focus. Simply monitor the Ultra HD output of the scanner while you turn the Cintel scanner's focus wheel. Your image will be in focus when the grain running throughout the image displays peaking outlines.

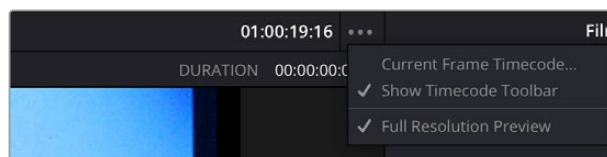
You can verify the focal adjustments you've made by checking the edges of your film's perforations. When these are sharp, your film will be in focus.

Reset the Timecode

To set the timecode for the roll of film you're about to scan, you need to locate the zero frame for that roll. It's standard practice to punch a small physical hole within the frame before the first frame of necessary film on a roll, to use as a permanent reference for whenever that roll is scanned. This is referred to as the marker frame, lab roll hole, or head punch. By always setting the first frame of timecode to match the marker frame, subsequent film scans will have the same frame count as previous scans, making it possible to rescan and reconfirm the same material whenever necessary.

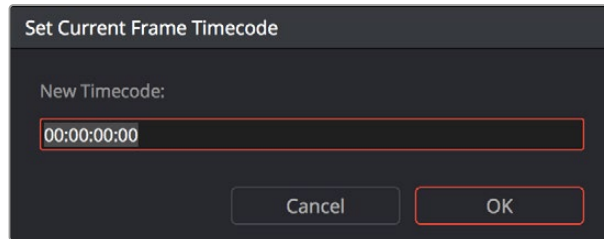
To reset scanned timecode at the marker frame of a new film roll:

- 1 Use the transport controls under the viewer to locate the marker frame.
- 2 Click the 'viewer' option menu and choose 'current frame timecode.'



Choosing current frame timecode from the viewer option menu

- 3 Enter a timecode value in the dialog box that appears. For example, if you're scanning the first roll of a project, you can enter 01:00:00:00.



The set current frame timecode dialog

- 4 When you're done, click OK.

Timecode cannot be a negative value, so don't set the start frame to zero. Another common organizational technique is to change the hour number whenever you change rolls, to coincide with the film roll's number, which makes it easy to identify a scanned clip with the corresponding source roll and frame range.

Your Cintel Scanner has built in 'Options Interface' ports for adding optional hardware in the future. This offers the ability to add optional features such as reading KeyKode from the camera negative, or optical/magnetic audio. For more information, see the 'Optional Audio and KeyKode Reader' section.

Choose a Location to Save the Scanned Frames

Once all this is done, scroll down to the 'capture info' controls in DaVinci Resolve's film scanner panel, and click the 'browse' button to choose a location for the scanned files. You can use the other fields in this section to set what prefix you want to add to the name of the scanned files and enclosing folders. The 'file name prefix' updates the file name preview that's shown at the top in the header. The header also shows the file path, resolution, frame rate, duration, and the format. Specify what roll, reel, clip, and program information you want associated with the scanned media. The 'timestamp prefix' checkbox in the 'Capture info' controls is selected by default and will save your clips to independent sub-folders within the destination folder, together with a timecode prefix in the file name.

If you want to save all your clips together in one master destination folder, simply deselect the checkbox.

When you capture an HDR clip, the scanner completes a high exposure scan and saves it in a hidden folder named .HDR inside the same folder as the standard scan. If you delete the .HDR folder, the scan converts to a normal clip after refreshing it in the media storage and re-importing the clip into media pool. This is useful if there is a problem with the HDR portion of the scan, as you can easily convert it to a regular CRI clip.

Check the Codec

DaVinci Resolve selects the 'Cintel Raw' codec by default, or you can choose 'Cintel Raw 3:1'.

The Cintel Raw Format

The Cintel Raw Format Bayer pattern of each film frame scanned with your Cintel scanner's sensor is saved with embedded scanner metadata as a 12-bit linear Cintel Raw Image, or CRI, image sequence. When grading in DaVinci Resolve, CRI images are automatically debayered as 12-bit log encoded image data.

The logarithmic encoding is similar, but not identical to Cineon encoding. For example, negative film is encoded using a Gamma of 2.046 for density, while print film is encoded using a full range Gamma 2.2 curve to ensure that no image data is clipped. Both of these logarithmic encodings can be converted to a linear color space using the 'Cintel to Linear' 1D LUT, before converting to other color spaces you may want to work in.

The film is scanned using the full sensor area of 4096x3072 to keep the audio waveform visible for optical audio and to accommodate perforation visibility for stabilization. The image is then cropped and the resolution of the capture files depends on the source film format after overscan for perforations and the audio area are removed. For more information about scanning resolutions for different types of film, see the 'specifications' section.

The Cintel scanner creates Cintel Raw files with variable bitrate lossless compression by default. This is visually lossless compression and achieves approximately 3:2 reduction in file size depending on image content. However, Cintel Raw 3:1 uses lossy compression with a ratio of approximately 3:1. This is still very high quality but may not always be visually lossless. For example, files for 35mm 4 perf are approximately 12.5MB with Cintel Raw and approximately 6.3MB with Cintel Raw 3:1. Files for 16mm are approximately 4MB with Cintel Raw and approximately 2MB with Cintel Raw 3:1.

CinemaDNG Quality Settings

To control the quality of CRI files, use the 'decode quality' and 'play quality' CinemaDNG settings located in the Camera Raw panel of the project Settings. These settings are 'full' by default. On computers with low processor or memory resources, these settings may be lowered but this will affect the quality of the final render.

Set the Timeline Resolution

DaVinci Resolve displays and renders the output from the scanner using the same resolution as the timeline. For example, for 35mm 4 perforation film, a custom resolution of 4096x3072 would be required for maximum resolution.

NOTE If your timeline is set for HDR with the desired deliverable at Ultra HD, a loss of resolution may occur.

For more information on the cropped image area resolutions for all film gauges, refer to the 'effective resolutions' in the 'specifications' section. Alternatively, for the full native resolution of the captured clip, access the 'clips attributes' in DaVinci Resolve.

Adjusting the Color of the Scanner

DaVinci Resolve's film scanner panel gives you control over the exposure and color temperature of the light used to illuminate the film for scanning. You can adjust these via the light source master wheel and RGB controls, in order to maximize the amount of information you're extracting from each frame, while preventing any part of the image from being irretrievably clipped. While it's true that CRI is a raw image format, there's no latitude beyond the internal data range used by DaVinci, so be mindful that if you're clipping data in the built in video scopes while scanning, it might be clipped permanently in the scanned media.

How often you'll adjust the color and exposure of scanned shots depends on how much variety there is in the scenes on a particular film roll. For example, some rolls may have many takes of the same scene, all of which have the same lighting and which can share the same adjustments.

Meanwhile, other rolls may have a variety of different scenes with widely different lighting in each one, necessitating you to make individual adjustments for each scanned clip to maximize data quality.

This is important because the light source master wheel and RGB controls cannot be automatically changed between scanned clips in a log and capture workflow. This means that the current light source settings will be used for all clips you scan until you manually change those settings again, even for clips that you've logged from different parts of a film roll. This means that the log and capture style of working is only advisable in situations where it makes sense to log multiple clips that share the same light source master wheel and RGB control adjustments.

Otherwise, it's recommended you make lighting adjustments on a clip by clip basis, as you scan each clip, in situations where you need maximum image quality for finishing. Keep in mind that the goal for these adjustments is to maximize image data from the scan, not to create the final look of the clips, which you'll accomplish later in the grading phase of work using the controls of the 'color' page.

To adjust the light source settings, find a typical image for the section of roll or for the first series of shots you're going to scan, and adjust the light source while viewing the built in video scopes.

Adjust the light source master wheel to set the intensity of the light source used to illuminate the film, raising or lowering the level of the R, G, and B channels all at once. For a typical camera negative, this lets you adjust the black point of the film image. In a negative print, the darkest part of the image corresponds to the highlights of the film image. Set the light source master wheel to sit just above the typical Dmin value of 95, as measured on the histogram of the video scopes, which guarantees that the highlights won't be clipped by the Cineon LOG conversion that DaVinci uses to debayer the CRI image for grading. For positive film, manually adjust the light source levels so that no part of the highlights or shadows of the signal is being clipped. Typically 1000 in 10 bit or 4000 in 12 bit.

You can turn on 'show reference levels' in the waveform, RGB parade, or histogram scopes, and set the 'low' value to indicate the digital Dmin value of 95.

Once that's accomplished, adjust the RGB controls to rebalance all three color channels by varying amounts to alter the color temperature of the light source used to illuminate the film, to produce the most useful, or neutral, color balance in the scanned result.

Scanning One or More Sections of Film

After you've adjusted the light source, it's a good idea to stay organized as you scan each clip by entering all relevant metadata into the metadata editor as you go. The 'capture info' group of metadata fields contains information for defining the file name prefix, roll, reel number, clip number, program name, flags, and whether a particular take is good. If you populate these fields before scanning a clip, that metadata will be written into the clip.

At the bottom of the 'capture info' panel, you will see four buttons for film scanning.

With all of this accomplished, you can scan the film in one of four ways:

Capture Now

Use the capture now button to capture long sections of a reel all at once. Clicking 'capture now' begins scanning near the current frame, ending whenever you click 'stop'.

If 'Enable 2 Pass HDR Scan' is selected, click 'Capture HDR' after the capture has begun to let DaVinci Resolve know you've reached the end of your desired clip so it can now proceed to capture the high exposure pass. If you scan the entire reel without clicking 'Capture HDR', the scanner automatically proceeds with the high intensity scan from where you started it until the end of the reel.

Capture Clip

A more controlled means of scanning specific sections of film. After you've used the transport controls and the In and Out button to define a section of film, clicking 'capture clip' scans that one clip and then stops.

If 'Enable 2 Pass HDR Scan' is selected, the high intensity HDR scan uses the same In and Out points as the initial scan.

Batch Clips

A way you can log multiple clips in advance of scanning them all at once using the current light source settings in DaVinci Resolve's film scanner panel. Log each clip in advance by setting In and Out points for each section of film you want to scan, and click the 'log clip' button to save that frame range as an unscanned clip in the media pool. When you click 'batch clips', all unscanned clips will be scanned one after the other until the job is complete. You can also select one or more unscanned clips, and only the selected clips will be scanned. Furthermore, you can import an EDL that corresponds to a particular film roll, and use the resulting logged clips for scanning.

NOTE When you click the 'log clip' button, Cintel Scanner applies the same project settings to all clips in the batch, and uses the newest project settings at the time of capture. You are advised to confirm the scanner settings before starting the batch capture.

If 'Enable 2 Pass HDR Scan' is selected, the high intensity HDR scan uses the same sets of In and Out points as the initial batch of scans.

For more information on batch capture workflows, refer to the 'Ingesting From Tape' chapter in the DaVinci Resolve manual.

Snapshot

Capture a single frame with normal exposure and current scanner settings.

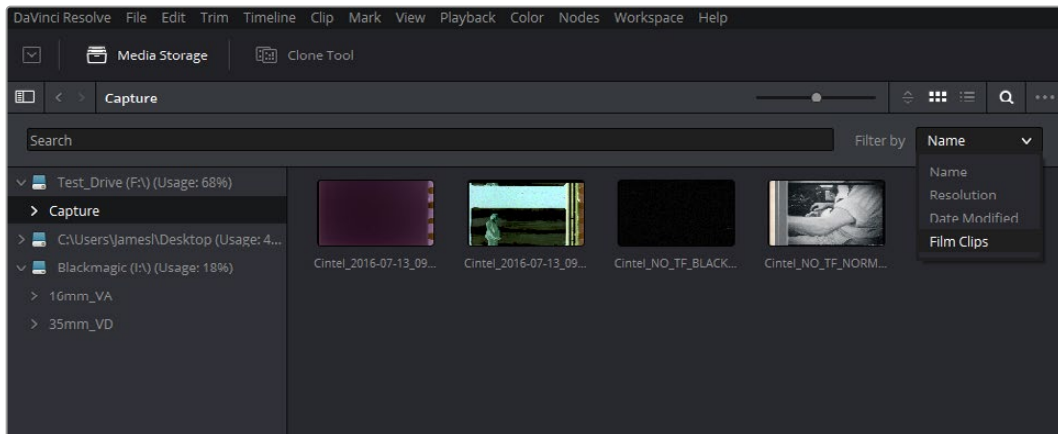
Once scanning, if DaVinci Resolve detects that your storage bandwidth is too low to capture at the selected speed, the scan speed will automatically adjust to ensure the capture is successful. If you are using the optional Audio and KeyCode Reader accessory, the audio sample rate will also be adjusted to maintain your chosen audio quality.

Extracting Audio

If the film you're scanning also contains an optical sound track, you can extract the audio in a separate step. There is a standard image frame to audio frame offset of 26 frames for 16mm and 21 frames for 35mm that DaVinci automatically aligns when extracting the audio. Select all of the clips that have an optical sound track, then right-click one of the selected clips and choose 'extract audio'. Resolve analyzes the overlapping optical track area of each frame and automatically generates a matching audio track, synchronized with the scanned image sequence.

Each clip's audio will be automatically extracted, embedded in the clip and saved to the same directory the scanned frames have been written to. A small audio icon will appear on the corner of your clip's thumbnail so you know there is a corresponding audio file.

To make extraction easier, you can filter the clips in the media storage by name, resolution, date modified or by film clips only. Filtering your clips makes it easier for you to find and select exactly what you need. You can also make a large selection and extract audio from multiple clips at once by right clicking on your selection and choosing 'extract audio...' from the menu. During audio extraction, an information box indicates the progress. You can click the 'stop' button any time to stop the extraction.



You can filter the contents in the media storage to make it easier to manage them

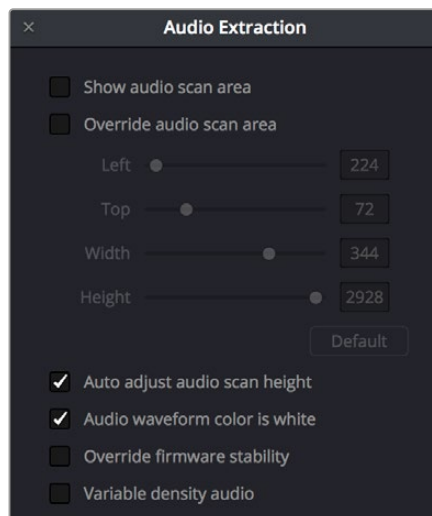
If the 'timestamp prefix' checkbox was deselected in the 'capture info' section when your clips were scanned, and you want to have extracted clips audio automatically embedded in your clips, always remember to extract audio from the clips inside the media pool.

Audio Extraction Settings

Normally, once you have selected the film type, the automatic features in DaVinci Resolve will extract your optical audio perfectly. However, the condition of the optical track can vary with the condition of the film being loaded and in some instances this can confuse the automation. If this happens, you can bypass the automatic features and make adjustments manually.



For manual adjustments, simply open the 'Audio Extraction' settings window by clicking on 'Show Cintel Audio Settings' in the inspector options near the top right of the viewer



The audio extraction settings let you make manual adjustments if needed

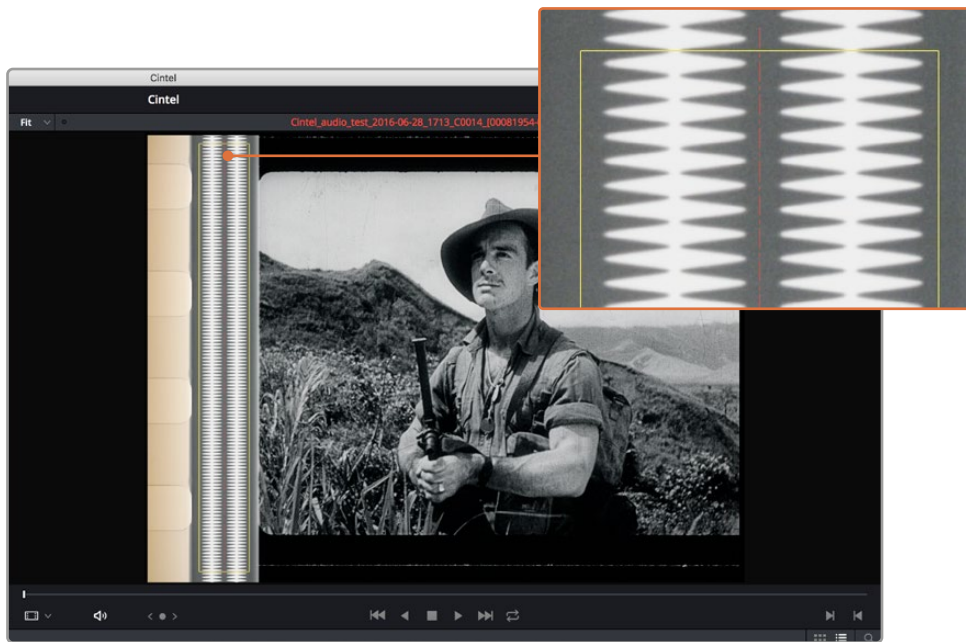
Audio extraction settings let you make the following manual adjustments:

Show Audio Scan Area

This checkbox turns the audio scan area guides on or off. The guides are displayed as a box on the side of the frame covering the optical audio scan area and shows what optical information will be used during extraction. The position of the guides will conform to the film type you have selected. However, you can change the position manually if you need to. The audio scan area guides are also great indicators to show you what is happening during the extraction process so you can identify any potential troubles and make manual adjustments.

Inside the box is a thin red line. This line is the mid point detector which detects the separation between stereo audio channels. When mono sound is detected during audio extraction, the mid point detector disappears and the guides will adjust automatically to suit the width of the mono optical track.

TIP If you need a closer inspection of the audio scan area guides, you can zoom into the viewer and move the viewer position up or down, and left or right. Simply choose the amount of zoom from the sizing options at the top left corner of the viewer, then click and drag the viewer with your mouse or track pad.



When 'show audio scan area' setting is turned on, the audio area guides will be visible so you can see exactly what information is being used and monitor the extraction process

Override Audio Scan Area

This setting provides sliders for adjusting the horizontal and vertical positioning, width, and height of the audio scan area guides.

These settings include:

Left and Width

If your film type is such that audio appears on the right side of the frame, you can simply adjust the 'left' slider to move the guide box to the right. Normally, this will happen automatically if you have the corresponding film type selected, but the setting gives you more flexibility for adjustments if you need it. Similarly, the 'width' setting is used to adjust the width of the scan area.

These are helpful tools for making subtle adjustments to the side edges of the guide box if there are unwanted elements inside the film's optical audio area. This can happen due to perforation wear and tear, or varying print qualities, and can sometimes interfere with the quality of the audio extraction. You can help avoid this by making a subtle movement to the side edges to keep the stray elements outside of the guide box.

Top

This setting adjusts the vertical position of the guide box.

Height

Sometimes film frames on older rolls of film may be slightly smaller than normal due to shrinkage over time. When making manual adjustments to the guide box, you can make adjustments for film shrinkage using the 'height' slider.

Auto Adjust Audio Scan Height

This setting is on by default and automatically adjusts the guide box height to align with the audio waveform at the top of each frame. The automatic feature works well for normal audio conditions, however, if during extraction you notice the box moving randomly and the quality of the extraction is affected, it may be due to similar features in the audio track overlapping between frames. If this occurs, deselect the checkbox and try the extraction again.

If deselecting the 'Auto adjust audio scan height' checkbox, make sure the 'height' setting places the guide box at the optimal position for the frame. Making manual adjustments can help if you need them, but don't forget to turn the automatic features back on afterwards!

Audio Waveform Color is White

Depending on the scanned film type, the audio waveform may be black or white. If the waveform is white, make sure the corresponding checkbox is enabled. This will ensure the white information in the waveform is used during audio extraction. If the waveform is black and the surrounding audio area is white, disable the checkbox so DaVinci knows to use the black information in the waveform. Other automatic features, such as mid point and mono detection, also rely on this setting being set correctly.

Override Firmware Stability

In rare instances, the condition of the film may have created large movements in the frame due to the internal firmware stabilization. This can cause the audio extraction guide box to misalign with the optical track. If this occurs, enabling 'override firmware stability' lets the audio extraction guide box track the film perforations independently and adjust its positioning for potentially better results.

Variable Density Audio

If your film contains variable density audio, make sure you select the 'Variable density audio' checkbox so DaVinci Resolve knows the type of audio to extract. The default state is set to 'off' for variable area audio soundtracks.

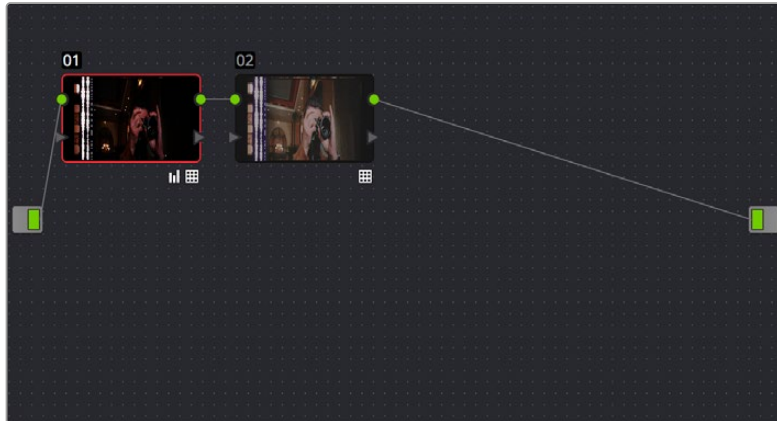
If you haven't used variable density audio before, you can visually identify it as a tight sequence of shaded lines, similar to a bar code with the lines squeezed closer together. By comparison, 'variable area' soundtracks appear as an audio waveform.

Color Space and Sizing

A pair of 1D LUTs, 'Cintel negative to linear' and 'Cintel print to linear', have been provided to help you convert scanned media to a color space in which you can do further work. You can apply these LUTs via a node in the 'color' page to convert the original scans to a Linear color space. However, if you want to convert the image to Rec. 709 or to Cineon for further adjustment, you'll want to apply a second LUT in a second node. The default color space for print is a 2.2 gamma standard log curve, and all others are 2.046 film density log gamma.

In general for negative film, it's best to 'color invert' after the second LUT is applied. Furthermore, normally some grading is required on the Linear data to remove black offsets, due to Dmin, for proper conversion into the destination color space. There are a variety of VFX IO LUTs available in the 3D LUT submenu of each node's contextual menu that let you convert an image from Linear color space to any other color space you want to work within.

For more information, see the DaVinci Resolve manual section named 'applying a LUT within a node' in the 'using LUTs' chapter

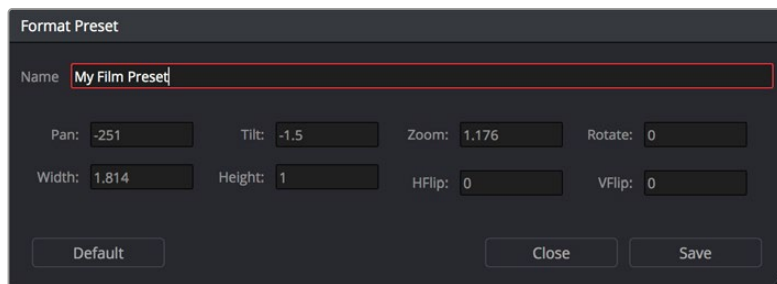


Using three nodes to convert a film scan using LUTs, node 1 converts from negative or print to linear, node 2 converts from linear to Rec. 709, and node 3, if required, inverts the color

Applying a LUT within a node will clip any image data falling below 0 and above 1. To prevent clipping, you can use the Lift/Gamma/Gain controls within any node with a LUT applied to adjust your image levels prior to the transform applied by the LUT within that node.

The format of the film you're scanning and the way the material was originally shot both affect the framing. You can adjust the final framing of your scanned clip by resizing, zooming, stretching, panning, tilting, and more. On the 'color' page, open the 'sizing' palette and use the 'input sizing' mode to create the necessary framing. To save your sizing preferences as a preset, open the menu, select 'save as new preset' and enter a name for your preset.

Once you've created an appropriate sizing preset for a given type of media, you can apply that preset to multiple film scans all at once, in either the color page or in the media pool using the 'change input sizing preset' command, found in the contextual menu of selected clips. For more information on sizing, see the 'sizing and image stabilization' chapter in the DaVinci Resolve manual.

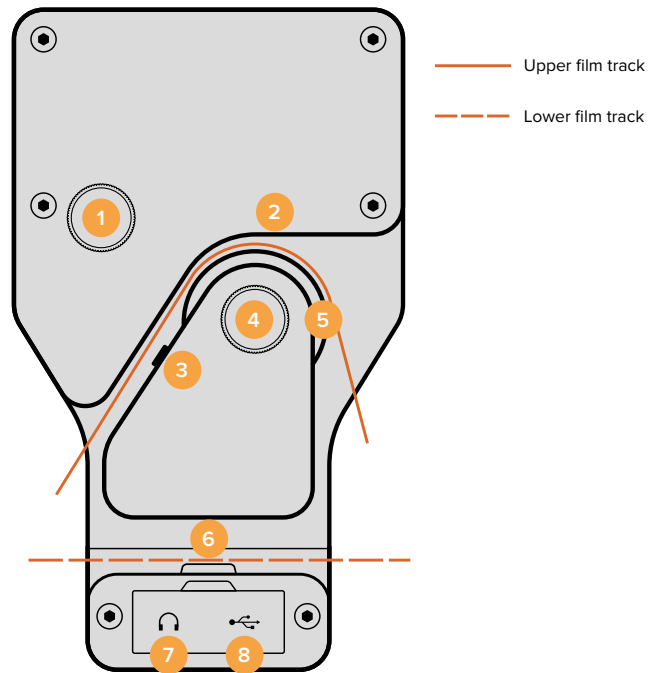


Creating a sizing preset in the sizing palette of the color page

Optional Audio and KeyKode Reader

The optional Audio and KeyKode Reader expands your Cintel scanner's capabilities by capturing optical and magnetic soundtracks for 35mm and 16mm film. Soundtracks can be captured at a range of speeds, from slow to faster than real time. It can also scan KeyKode information about the frame's position in the reel and film stock used.

The reader has the following components.



- 1. Optical audio tracking knob
- 2. Magnetic audio head
- 3. Optical audio scanner
- 4. Capstan roller cleaning knob
- 5. Capstan roller
- 6. KeyKode scanner
- 7. Headphone port
- 8. USB firmware port

By lacing your film through the upper section of the reader, you can extract optical and magnetic soundtracks from your film.

When film is laced through the reader's lower section, you can capture KeyKode information. KeyKode data is located near the perforation area on some negative film stocks and typically contains data about the position of frames within a reel, information to help identify the film roll, and additional details such as the type of film stock. The scanned information is saved as metadata within each Cintel Raw frame.

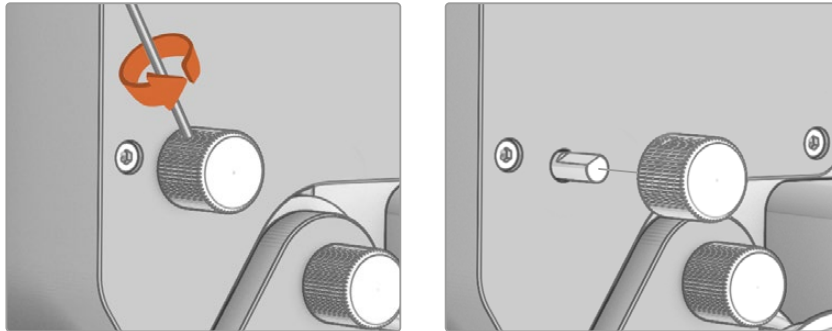
TIP Your Cintel scanner can still capture optical soundtrack information without the Audio and KeyKode Reader attached. Simply use the extract audio feature in the DaVinci Resolve film scanner panel after you have scanned your film. For more information on extracting optical audio see the 'extracting audio' section in this manual.

Attaching the Audio and KeyCode Reader

The reader is powered by your scanner's left options interface, which is the 6 pin accessory XLR connector underneath the feeding spool.

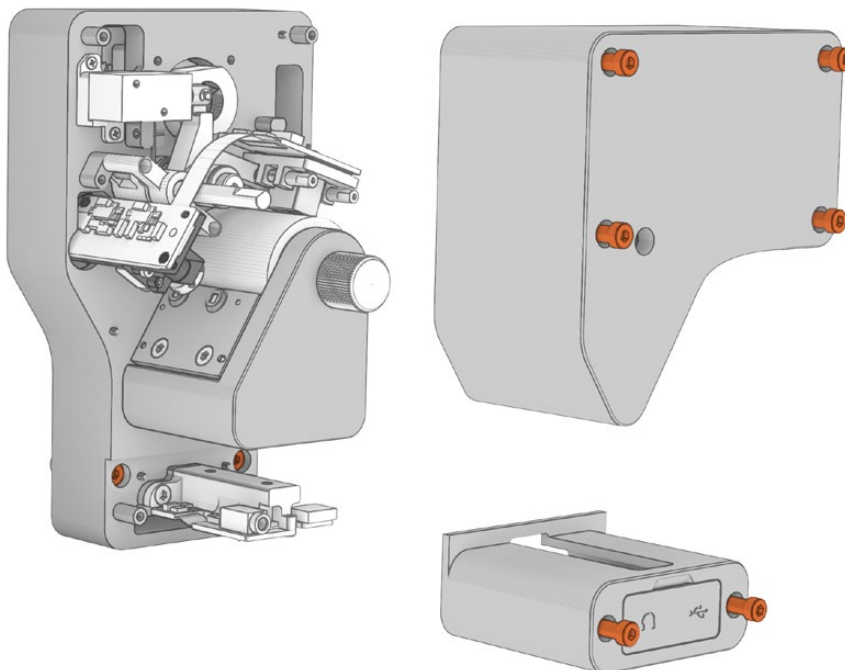
To attach the Audio and KeyCode Reader to your Cintel Scanner:

- 1 First make sure power is disconnected from your Cintel scanner.
- 2 On the reader's upper adjustment knob, you'll find a small retention screw recessed into one side. Use a 1.5mm Allen key to loosen this screw and slide the knob off its spindle. This lets you remove the reader's upper cover.



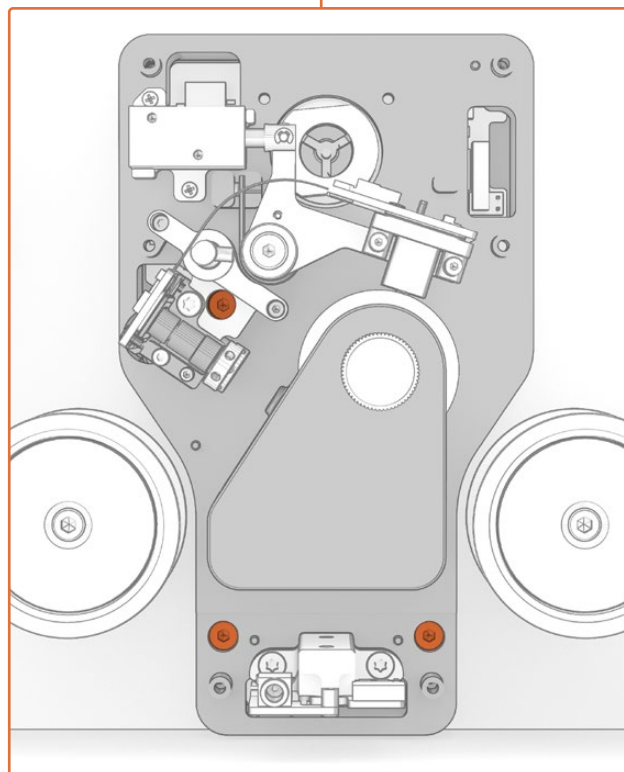
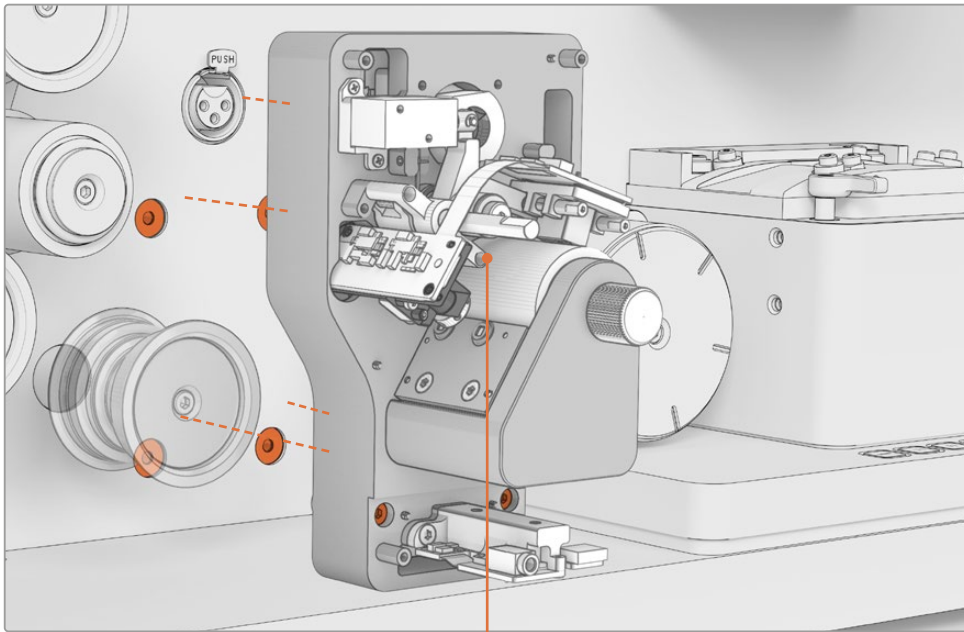
Use a 1.5mm allen key to loosen the adjustment knob's retention screw, then remove the knob from its spindle

- 3 Remove the upper and lower covers from the Audio and KeyCode Reader by unscrewing the 6 x M3 screws with a 2.5mm Allen key. The screws are 'captive' so they remain attached to the reader. Removing the covers gives you access to the captive screws needed to attach the reader to your Cintel scanner.



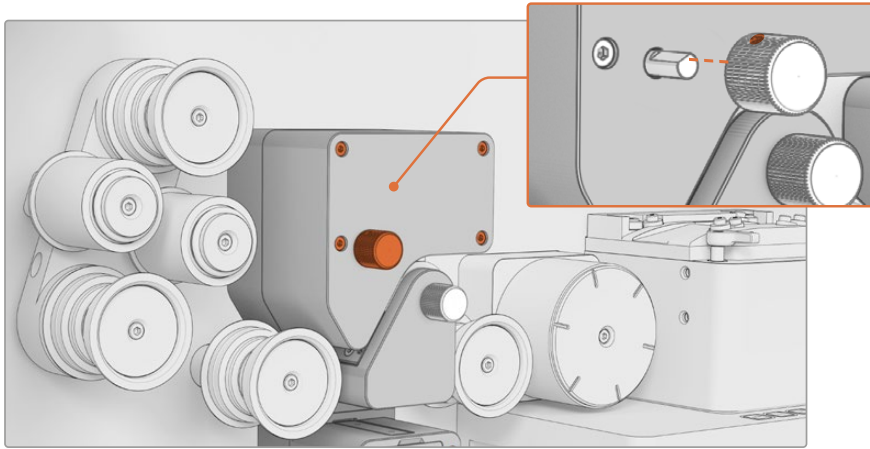
Remove the upper and lower covers from the reader by unscrewing the six M3 cover screws. As they are captive screws, you only need to unscrew them a short distance until they release contact, as shown in the image above.

- 4 Remove the four M4 screw plugs from your Cintel scanner using a 2mm Allen key. The correct screws are the top left screw, and bottom two screws located beneath the left options interface XLR connector.
- 5 Mount the reader to your scanner by plugging its male XLR connector into the female XLR left options interface connector on your Cintel scanner.
- 6 Fasten the Audio and KeyCode Reader to your scanner using the 3 x captive M3 screws, ensuring it is seated flat to the deckplate before tightening.



Plug the reader into the left options interface XLR connector and fasten the reader to your Cintel scanner using the three captive M3 screws

- 7 Reattach the Audio and KeyKode Reader covers and tighten the cover screws. Reattach the upper adjustment knob and lightly tighten the retention screw to the flat side of the spindle.



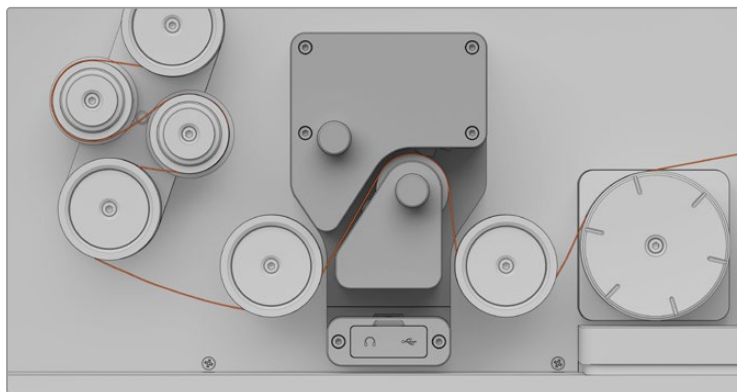
Reattach the reader's covers by tightening the six captive M3 screws and reattach the adjustment knob by tightening the screw against the flat edge of the spindle

Reading Audio

With the Audio and KeyKode Reader attached, your scanner can record optical audio information from 35 and 16mm film and magnetic audio information from 16mm film.

Lacing Film

To start recording audio information in real time, the first thing you'll need to do is lace your film through the reader's audio path. The correct lacing path is shown below.



Lace film through the Audio and KeyKode Reader's upper section to read audio

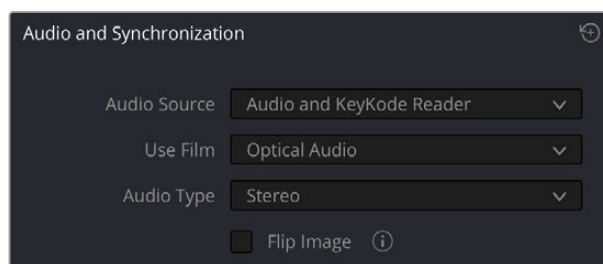
NOTE When scanning optical audio pay particular attention to the position of the 16mm and 35mm scanning LEDs. 35mm is closer to the Cintel chassis, while 16mm is further away.

TIP When film is laced through the reader's audio path, DaVinci Resolve will automatically record audio and add it to your clips. Alternatively, if it is laced through the lower path no audio will be recorded.

Setting the Reader for Audio Scanning

Once your film is laced, go to DaVinci Resolve's film scanner panel and set the 'use film' and 'audio type' settings in the reader accessory pane. The option you choose in the 'audio source' menu will change the options available in the 'use film' and 'audio type' menus.

These settings let you set which function you want your reader to perform, for example setting the reader to scan KeyCode information, or to different audio types, for example optical or magnetic audio.



The audio and KeyCode reader pane in DaVinci Resolve's film scanner panel lets you change the 'use film' option between KeyCode and audio scanning

TIP The available options will differ depending on the type of film you have loaded. For example, magnetic audio is available when 16mm is set as the film type in DaVinci Resolve's film scanner panel.

Audio Source

Select the source for the audio to accompany the images you scan.

None

No audio track. Options for 'use film' and 'audio' type are unavailable.

Audio and KeyCode Reader

Read optical or magnetic audio from the film using the Audio and KeyCode Reader.

External Audio

Select this option to accept analog audio or AES/EBU digital audio via the external XLR audio ports.

Use Film

Use these settings to determine the reader's KeyCode or audio reading functions. For information on reading KeyCode data, refer to the 'Reading KeyCode' section.

The settings for the audio reader include:

Optical Audio

Choose this setting when you want to scan audio from an optical audio track.

You can tell if the audio track is optical by inspecting the film. If you're scanning 35mm or 16mm film and see a continuous waveform or a long, tightly packed series of stripes down one side, your print has an optical soundtrack.

Optical Audio Narrow Track

When scanning optical audio, film shrinkage and the variables inherent in printing will occasionally mean that your film's optical soundtrack is smaller than the area scanned by your Audio and KeyCode Reader. This can result in the audio reader scanning perforations or image data on either side of the sound track, which causes interference in the audio. In this event, adjusting the reader's tracking knob can help improve the audio, but if that is unsuccessful and the audio track is problematic, then you can select 'optical audio narrow track' from the 'use film' menu. This will reduce the area your reader scans by about twenty percent, limiting the unwanted areas around the optical track and improving the quality of the audio scan.

For more information about the tracking feature on the audio reader, refer to the 'tracking' information later in this section.

Magnetic Audio

If you want to scan the magnetic striped audio track on 16mm film, set the 'use film' setting to 'magnetic audio'.

You can identify magnetic striped audio audio track on 16mm film by looking for a black strip next to the frames. The black strip will be copper colored on the emulsion side of the film.

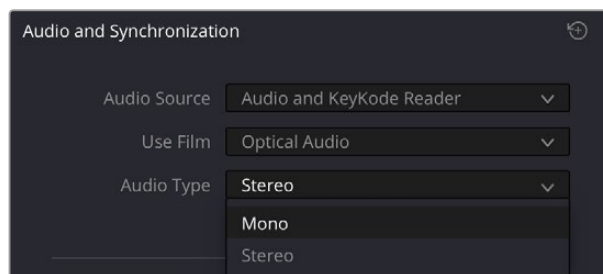
NOTE When scanning magnetic stripe audio, we recommend setting your scan speed to 24 frames per second for proper equalization. Scanning at other speeds may require pitch adjustment in post.

Audio Type

Once you have selected the appropriate 'use film' option, choose your audio type from the 'audio type' menu.

Stereo or Mono Audio

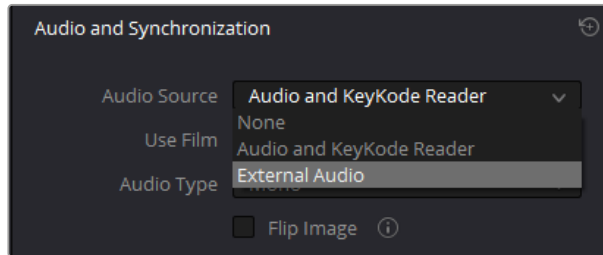
You can easily tell whether optical audio is stereo or mono by inspecting your film. If you see two waveforms side by side, your film has a stereo soundtrack. If you only see one waveform, or the packed stripes of variable density audio, your film has a mono soundtrack. Magnetic audio is always mono.



Choose 'stereo' or 'mono' audio depending on the type of audio on the film

External Audio

From audio source, click on the pull down menu and select 'external audio'.



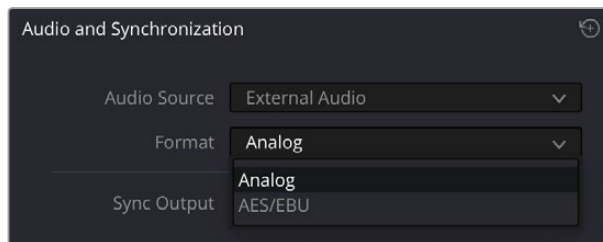
When 'external audio' is selected, the XLR audio inputs on the side panel of Cintel Scanner can accept analog audio or AES/EBU digital audio. Select an appropriate option from the 'format' menu:

Analog

Choose this setting if you are using balanced analog audio.

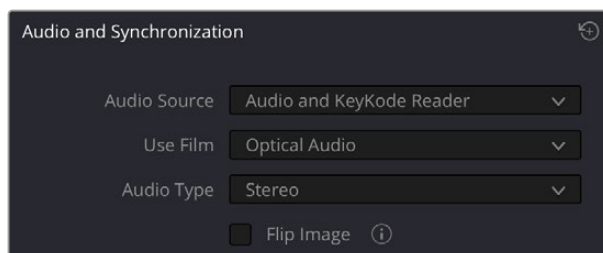
AES/EBU

Use this option to receive AES/EBU audio, also known as AES3.



Flip Image

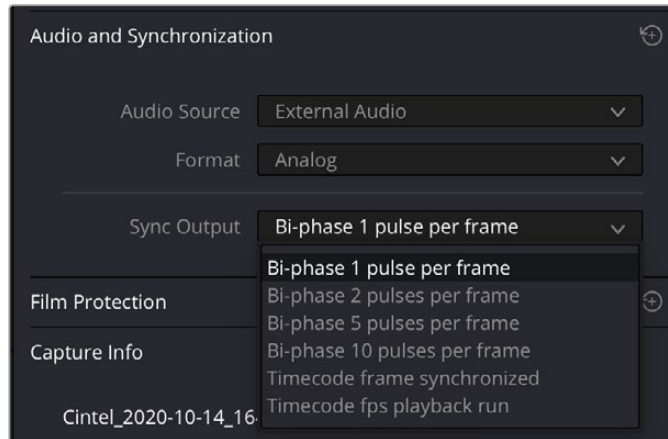
If the image is reversed when scanning audio from negative film types, tick the 'flip image' checkbox.



Enable the 'flip image' option to mirror the frame

Sync Output

Use the 'sync output' menu to choose a sync standard if the scanner is connected via an XLR port on the side panel to external equipment that requires synchronization.



Bi-phase and timecode output options in the 'sync output' menu

'Bi-phase' outputs two single ended quadrature signals on the standard audio XLR3 differential pair, so direction and frequency can be sensed at the rate you select. 'Timecode frame synchronized' outputs a single timecode value per transported frame. 'Timecode fps playback run' outputs timecodes at a fixed rate determined by your project's film frame rate. The voltage output automatically switches between 4.5V for Bi-phase and 1.5V for Timecode selections.

NOTE Timecode output is supported for 24, 25 and 30 fps free running or frame locked. Timecode output is unavailable for other frame rates.

Capture Speed

When the Audio and KeyCode Reader is installed and configured to capture audio, your Cintel scanner's maximum scan speed will be capped to 125% of your film's target frame rate. For example, when scanning film intended for 24 frame per second playback, your scanner's maximum scan speed will be 30 frames per second. This ensures a 48 kHz sample rate.

Tracking

As the positioning of optical soundtracks can vary slightly from print to print, it is important to ensure that your reader is scanning the correct audio area on the film. The tracking feature on the audio reader lets you make fine adjustments to the position of the optical audio scanning head to ensure you are getting the best possible quality.

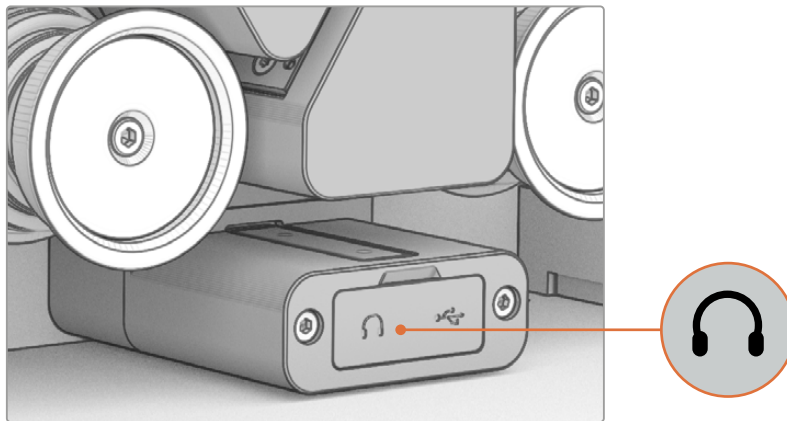
To use the tracking feature:

- 1 Plug a set of headphones or an audio analyzer into your reader's 3.5mm headphone jack. Lift open the rubber dust cover to access the connector.
- 2 With headphones on, or an analyzer plugged in, use your scanner's transport controls to shuttle to a place in the film where audio is present and play the film.

- 3 While listening to, or analyzing, the audio of your film, rotate the tracking knob clockwise or counterclockwise. The tracking knob is located on the upper section of your reader. As you adjust the tracking knob, the scanning head will move closer or further away from the film's edge so you can refine its position over the optical track. You will also hear the loudness and clarity of the audio change as the tracking is adjusted. An audio analyzer will operate on the same principle, but with more precision, as you move the tracking knob.

For stereo tracks, simply make adjustments until you find the optimum position where both channels are equally strong and clear with no distortion.

For mono audio, it's effective to set the audio type to stereo when adjusting the tracking. This lets you use the left and right stereo channels to center the track, which will ensure the mono track will scan at the best quality. However, don't forget to reset the audio type to mono after you have optimized the tracking.

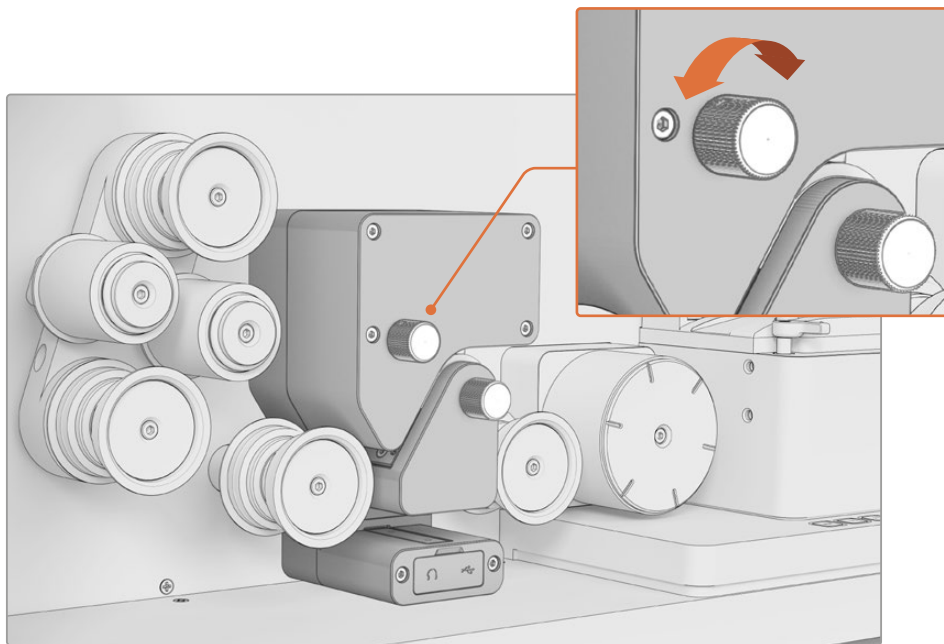


The Audio and KeyCode Reader's headphone jack is behind a rubber dust cover at the bottom of the reader

Previewing Audio via HDMI and the Headphones Jack

Film soundtracks are printed several frames ahead of the images they sync to, therefore, your Cintel scanner automatically delays the audio so it is synced to the picture via the HDMI output and also synced in the scanned clip.

The headphones jack outputs real time, non-synced audio directly from the soundtrack. This means that when you make tracking adjustments, you can hear the difference immediately without a delay.



Rotating the tracking knob adjusts the position of the audio head so you can improve the quality of the optical audio scan

When capturing optical audio, your reader will dim its LED light if the reader's film roller is not turning. The reader conforms to the status of your scanner, so if the scanner enters sleep mode, the reader will too.

Tracking with Magnetic Audio

The Audio and KeyCode Reader's magnetic audio head comes preconfigured from the factory and shouldn't need adjustment. The nature of magnetic audio means that a small amount of overlap shouldn't cause distortion as these areas don't carry magnetic information. There is also typically less variation in the placement of magnetic soundtracks during the printing process, and the reader's magnetic head is slightly oversize to help compensate for any misalignment.

Advanced Tracking

In addition to the tracking adjustments listed here, the reader also supports:

- Magnetic audio azimuth and tracking adjustment
- Optical audio azimuth adjustment
- Optical audio focus adjustment

For most users, these changes will never be necessary. For information on these advanced adjustments, contact your Blackmagic Support Center at www.blackmagicdesign.com/support

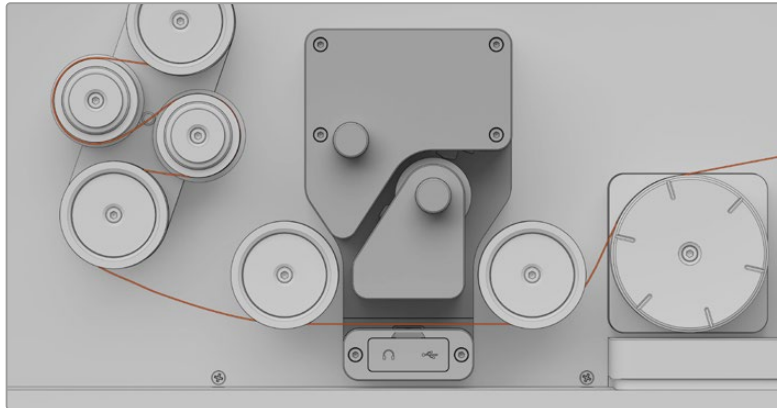
Commencing your Scan

Once you have set your audio type and adjusted the tracking, simply commence your scan as detailed in the section named 'Scanning One or More Sections of Film.'

It's worth noting that DaVinci Resolve will not begin writing a file until it has synchronized audio and video information being sent from your scanner. As audio information is printed a few frames ahead of its corresponding frame, this means there will be a brief pause of approximately one second between your scanner reaching speed and your scan appearing on screen.

Reading KeyCode

When scanning KeyCode data, lacing the film is exactly the same as lacing film without the reader attached. The film will naturally pass through the KeyCode reader as it travels between the rollers through to the skid plate. The correct lacing path is shown below.

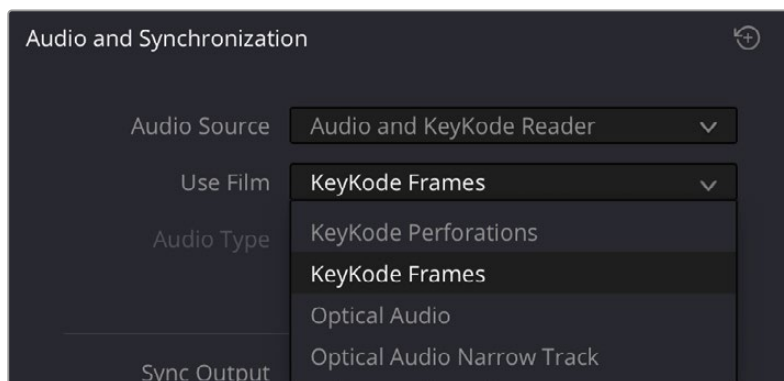


Lace film through your Audio and KeyCode Reader's lower section to scan KeyCode data

NOTE When capturing KeyCode information make sure that the KeyCode section of your film passes over the scanning LED.

Setting the Reader for KeyCode Scanning

After you lace film through the KeyCode reader and tension it, you need to configure your Cintel scanner to read KeyCode. Go to the DaVinci Resolve film scanner panel and in the 'use film' menu select 'KeyCode Perforations' or 'KeyCode Frames'. When you export a DPX file, KeyCode information will be represented in frames or perforations accordingly.



Select 'KeyCode perforations' or 'KeyCode frames' from the 'use film' menu to scan KeyCode data on negative film prints

Use Film

Use these settings to determine the reader's KeyCode or audio reading functions. For information on audio reading, refer to the 'Setting the Reader for Audio Scanning' section.

The settings for the KeyCode reader include:

KeyCode Perforations

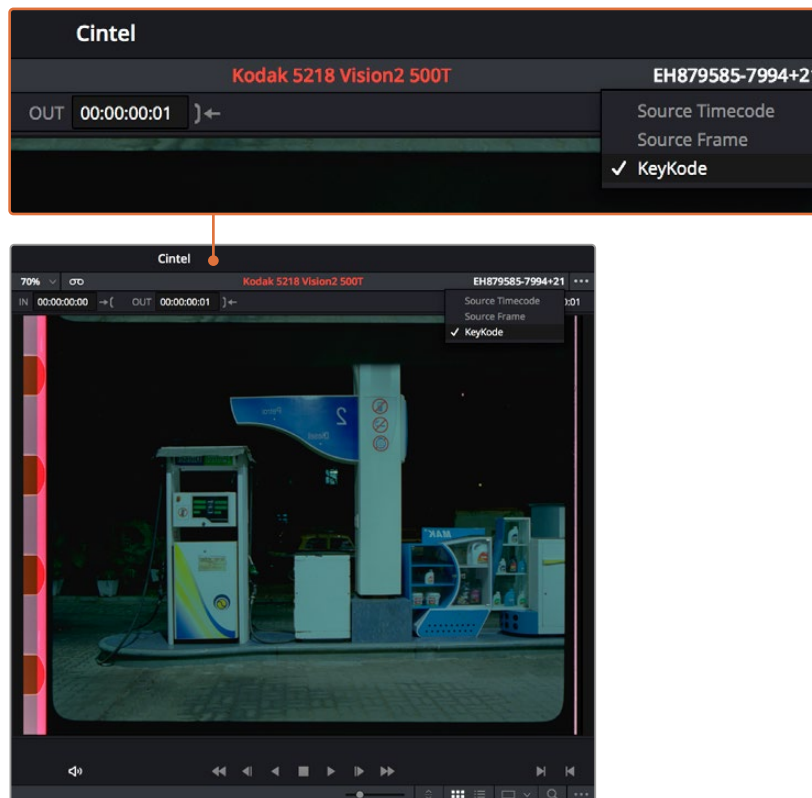
Select 'KeyCode Perforations' to record KeyCode based on the perforation count.

KeyCode Frames

Select 'KeyCode Frames' with any type of film to record KeyCode accurate to the frame count.

The reader will now scan any KeyCode information present on the film and save it as metadata in each clip. You can also see the KeyCode metadata displayed at the top of the viewer within DaVinci Resolve's film scanner panel.

To view the information, simply click on the viewer options icon at the top right corner of the viewer and select 'KeyCode' from the menu.



Set the viewer to display KeyCode data by clicking on the viewer options in the top right corner and selecting 'KeyCode' from the menu

KeyCode information is often captured for inclusion in DPX digital intermediates, as detailed in the next section, but this metadata is also available for use in the 'edit' and 'color' panes of DaVinci Resolve just like any other metadata.

Transcoding to DPX including KeyCode Metadata

If you want to, you can also set DaVinci Resolve to transcode your scans to the DPX file format, which will retain all the KeyCode metadata.

To transcode your scans to DPX:

- 1 Go to the menu bar at the top of the screen and click on 'File', then select media management.
- 2 In the media management window, click on the 'clips' icon to transcode all clips individually, and select transcode.

- 3 Set your media destination by browsing to your chosen storage folder and click OK.
- 4 Enable the 'transcode all media' radio button to transcode all the media on your timeline.
- 5 In the video settings, set the video format to 'DPX' and choose your desired codec setting.
- 6 The resolution will automatically match your timeline resolution, but you can change the setting if you want to transcode to a different resolution. You can also set it to match your clips' source resolution by enabling the 'render at source resolution' checkbox.
- 7 In the audio settings, choose the number of audio channels you want to include in your DPX files, or select 'same as source' to match the audio in the source clips. Also set your desired audio bit depth.

The DaVinci icons at the bottom of the window will let you know the current size of your media, and the size of the media once it has been transcoded to DPX files.

- 8 Click 'start'.

All the clips on your timeline will now be transcoded to DPX files with the KeyCode embedded. For more information about transcoding your Cintel Raw files to other formats, refer to the Media Management section of the DaVinci Resolve manual.

You can also render your Cintel Raw files as DPX files with embedded KeyCode by going to DaVinci Resolve's 'Deliver' page and exporting your files as DPX files. Make sure you select 'individual source clips' in the 'render' settings to make sure each file is exported separately.

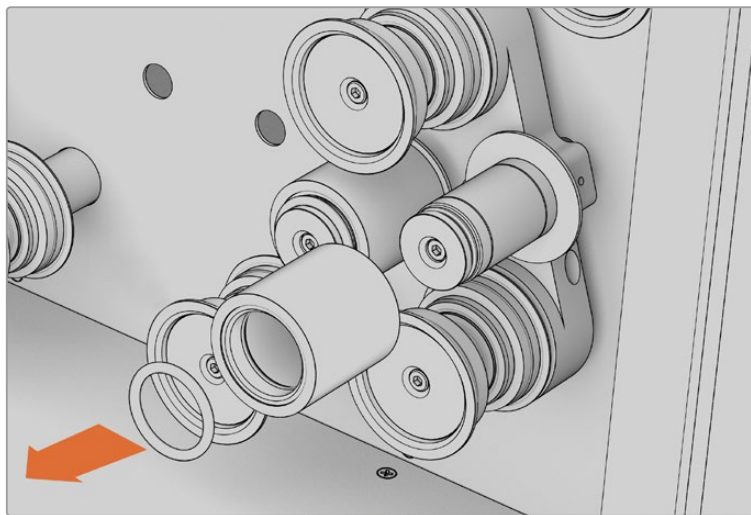
Servicing

To ensure optimal scan quality, it is important to keep your scanner clean and dust free. This is easily done by regularly cleaning the particle transfer rollers and using an air duster to clean the rest of your scanner's contact surfaces including its hard rubber rollers, drive wheels and skid plate.

Cleaning the Particle Transfer Rollers

Cleaning the particle transfer rollers, or PTRs, should be done after every film run. To clean the rollers, simply remove the O-ring at the end of each PTR spindle and slide off the roller. Apply warm, soapy water to the rollers using household dishwashing detergent and allow them to air dry. We don't recommend towel or blow drying as this can deposit new particles on the rollers or heat deform them. Once dry, simply slide the rollers and O-ring back on and you're ready to scan.

If the PTRs are becoming hard to remove or install, apply a thin layer of silicon grease to the inside of the O rings. This will help maintain lubrication so they are easier to remove for cleaning.



To clean the particle transfer rollers, simply remove the O-ring at the end of each PTR spindle and slide off the roller

If you find your particle transfer rollers losing stickiness even after washing, or have become difficult to mount and remove through age, wear and tear, you can purchase new rollers from the Blackmagic Design website at www.blackmagicdesign.com

Cleaning the Capstans

Clean the capstans as needed, ideally prior to scanning every new roll of film. Allow the capstans to air dry before use.

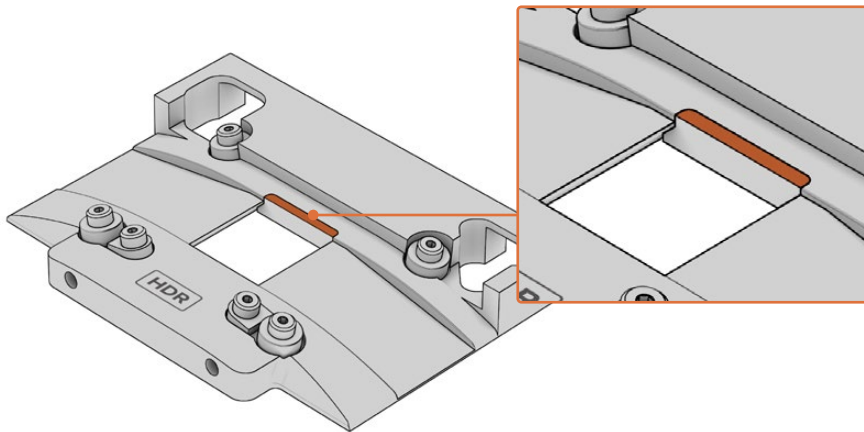
NOTE Caution must be observed to prevent damage by liquids to electronics near the capstans. Apply only a small amount of water to a lint free cloth. Do not use solvents or sprays when cleaning the capstans.

Dusting

Dusting your scanner should be performed daily. This is as easy as using an air duster to remove any particles from your scanner's gate, drive wheels and any other film contact surface. This is best performed with the gate removed.

When dusting, it's worth paying special attention to the small plastic infill on your scanner's gate. Dust build-up in this area can affect stabilization performance, so from time to time it's worth wiping this down with a damp cloth.

When dusting the optional 8mm gate, use an air duster or lint free cloth to clean the bearing faces and aperture shutters. In addition, the bearing pockets will require occasional cleaning to avoid excess dust build up.



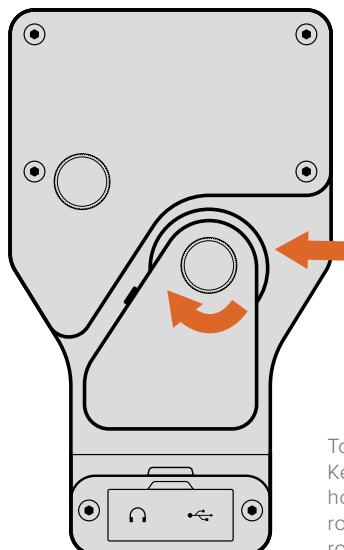
Pay special attention to the infill when dusting

You may occasionally wish to clean the lens over your scanner's RGB light source. This can be done with a clean cloth and a small amount of isopropyl alcohol.

Both air dusters and isopropyl alcohol are available at most electronics stores.

Cleaning the Audio and KeyCode Reader Roller

The Audio and KeyCode Reader contains a rubber roller for film laced through its upper track. This should be cleaned from time to time with a damp cloth. Simply remove any film laced through the upper track and hold a damp cloth against the roller while turning the cleaning knob to get rid of any dust buildup.

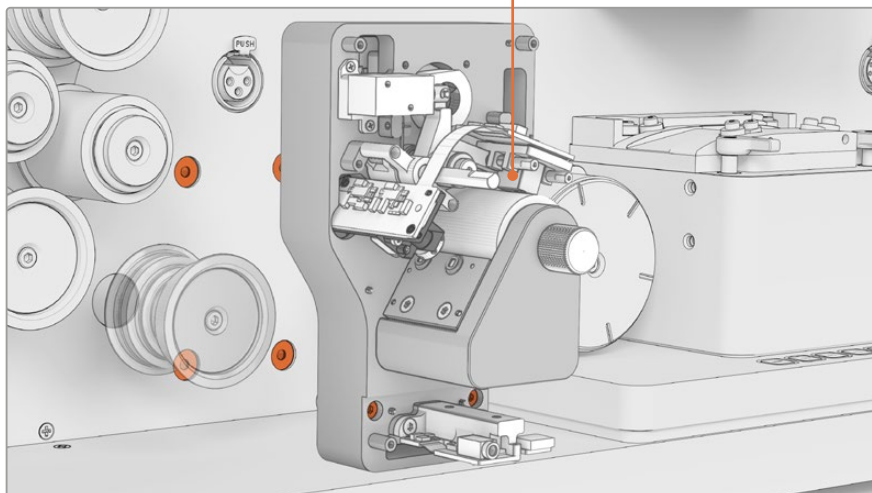
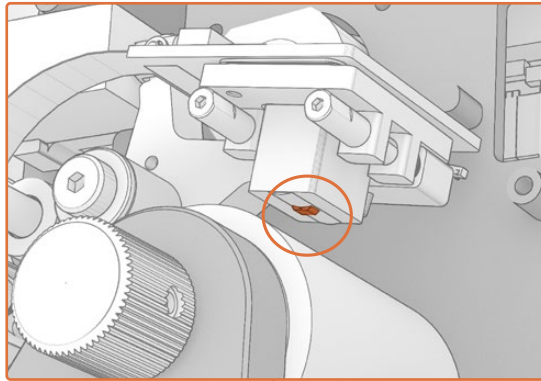


To clean the Audio and KeyCode Reader film roller, hold a damp cloth against the roller surface while turning the roller knob to wipe away dust

We recommend using only water to clean the Audio and KeyKode Reader's rollers and magnetic head. Alcohol, Xylene and other chemicals are not necessary and may damage the reader accessory.

Cleaning the Audio and KeyKode Reader's Magnetic Head

You may wish to occasionally clean the Audio and KeyKode Reader's magnetic head. To clean the magnetic head, remove the top cover of the reader by removing the 4 x M3 screws with a 2.5mm Allen key.



Remove the Audio and KeyKode Reader's upper cover to access the magnetic head

With the magnetic head exposed, simply dip a Q-tip in water and shake off any excess, then gently brush the magnetic head surface to remove dust. Allow the head to dry for a few minutes before reinstalling the reader's upper cover.

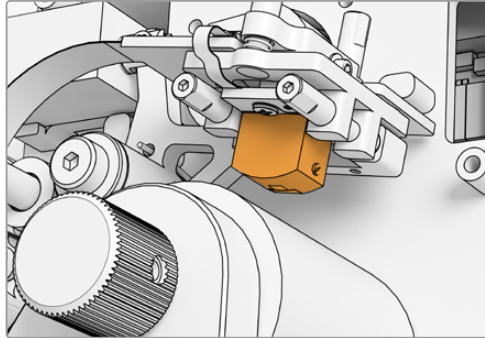
The magnetic head is demagnetized at the factory and shouldn't need additional demagnetization.

Spare Parts for your Cintel Scanner

Spares of major Cintel scanner components are available through your local Blackmagic Design support office. Servicing your Cintel Scanner is generally quite easy and intuitive, but if required, documentation can be provided from your local sales office to assist.

Magnetic Head Replacement

As the magnetic film strip passes over the tape head in the Cintel Audio and KeyCode Reader, it slowly polishes the surface, wearing the head gap and reducing audio quality. We recommend replacing the magnetic head every 2 to 3 years, depending on use.



NOTE There are two versions of the Cintel Scanner Magnetic Head:

Magnetic Head Version 1

This version of the magnetic head is no longer available and is installed in older Audio and KeyCode Readers with a serial number prior to 6943522.

Magnetic Head Version 2

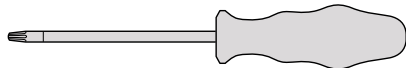
This is the current version of the magnetic head installed in Audio and KeyCode Readers with the serial number 6943522 and onwards.

If you have a version 2 magnetic head installed in your Audio and KeyCode Reader, you can follow the procedure in this section of the manual to replace your magnetic head.

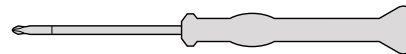
If you have a version 1 magnetic head installed, you will need to upgrade to a version 2 model. This upgrade process is more complex and requires extra parts and greater technical skill to perform. For more information refer the 'Cintel Audio and KeyCode Reader V2 Upgrade Procedure' document. Alternatively, our sales office can perform the upgrade. To download the upgrade procedure document or to contact support go to www.blackmagicdesign.com/support. Once performed the service procedure is the same as the version 2 magnetic head.

Tools Required

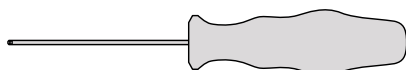
The following list of tools are required:



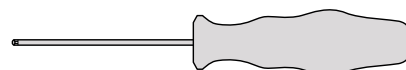
T10 driver.



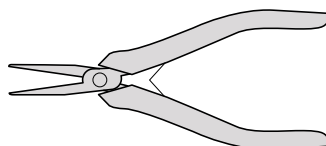
PH 00 driver.



HEX 1.5 x 60 driver.



HEX 2.5 mm driver.



Small tweezers or pliers.

NOTE Ensure non magnetic tools are used to avoid needing to de-magnetise the mag head for optimal performance.

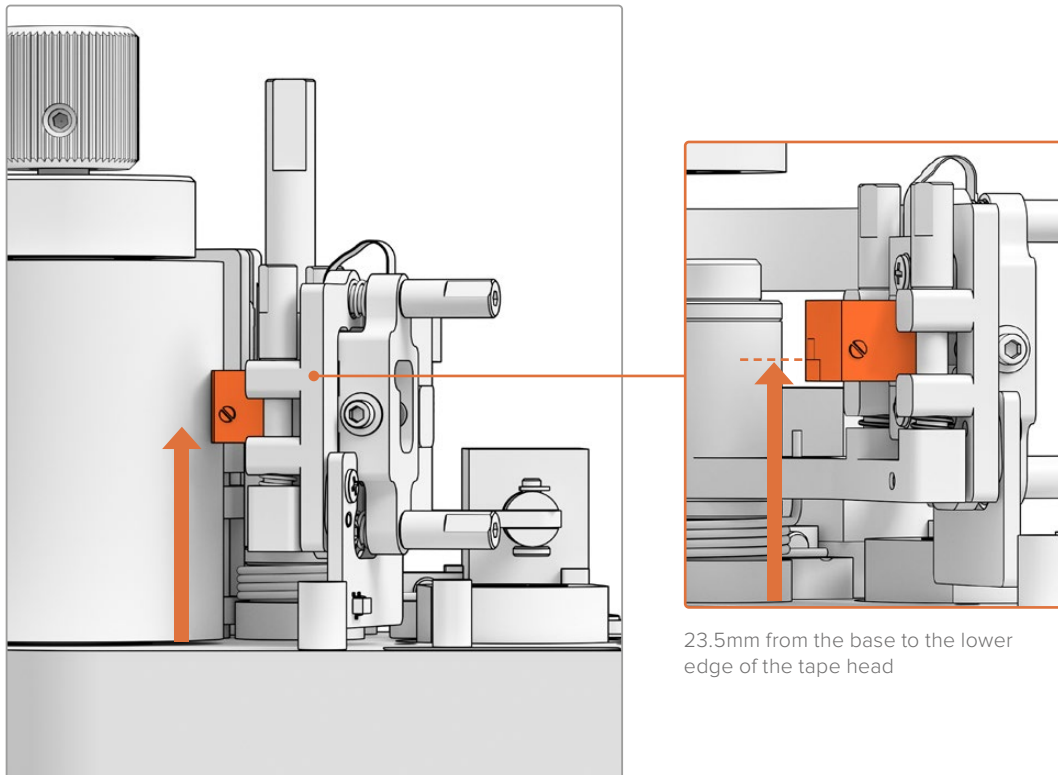
Before the Update

To ensure optimal performance of the audio and keycode reader, we recommend capturing reference audio prior to replacement so you can compare audio quality.

The following reference film types are good examples for reference audio:

- S16mm Bezugs BF16-10A DIN 15638 25fps multi frequency magnetic test film.
- S16mm SepMag film.
- S16mm leader. White.
- S16mm ComOpt SMPTE P16MF multi frequency.
- S35mm ComOpt SMPTE P35MF multi frequency.
- A suitable customer reference Combined Magnetic ComMag film.
- A suitable customer reference Combined Optical ComOpt film.

Make a note of the original magnetic head position. This is required for tracking check when rebuilding the reader after performing the update. Be sure to measure from the base of the reader to the magnetic head contact face edge. Ideally, this should be approximately 23.5mm.

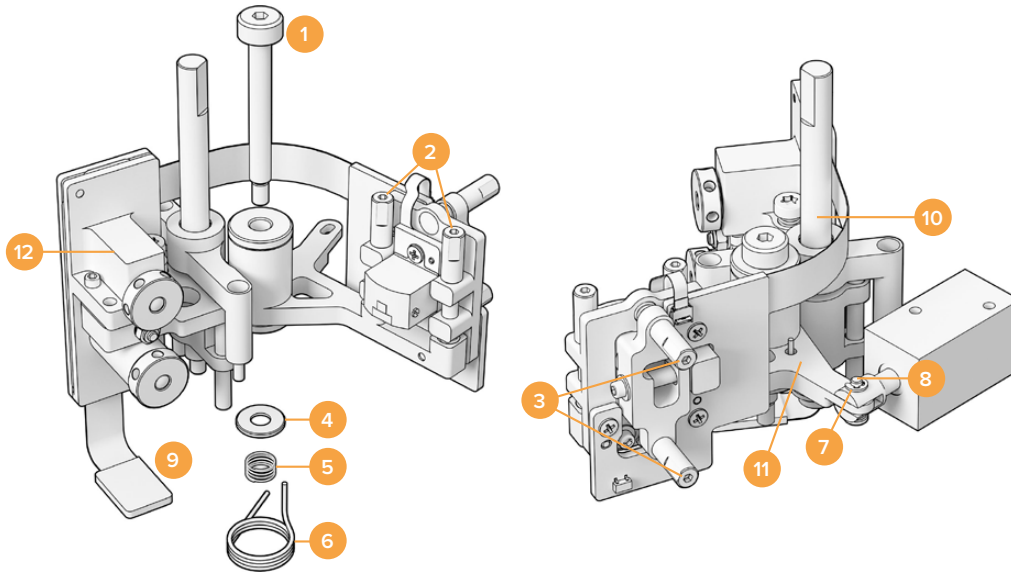


Mag head height from the reader's base

Once you have completed your tracking checks you can remove the reader from the scanner. For instructions, refer to the 'attaching the audio and KeyCode reader' section in this manual.

Replacing the Magnetic Head PCB

Before you begin swapping out the magnetic head, refer to the illustration below to familiarise yourself with the parts of the magnetic head sub assembly.

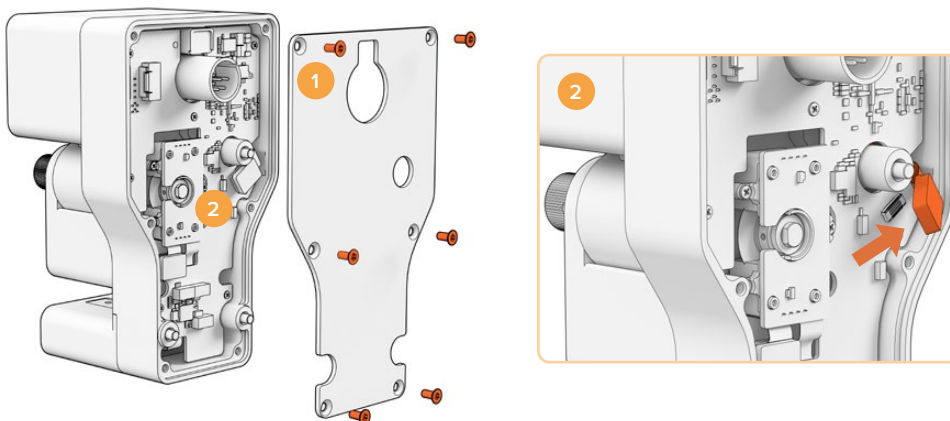


Mag Head Arm Sub Assembly

- | | | | |
|---|--|----|--------------------------|
| 1 | Shoulder screw M3. | 6 | Mag head arm spring. |
| 2 | A1 and A2 azimuth screws perpendicular adjustment. | 7 | E clip. |
| 3 | B1 and B2 zenith for tilt adjustment. | 8 | Clevis pin. |
| 4 | Coil spring retainer. | 9 | Audio arm PCB connector. |
| 5 | Preload spring. | 10 | Height adjustment mount. |
| | | 11 | Mag head arm. |
| | | 12 | Optical block. |

Once you are familiar with the components of the Audio and KeyKode Reader and have all the necessary tools prepared, you can begin the process of replacing the magnetic head.

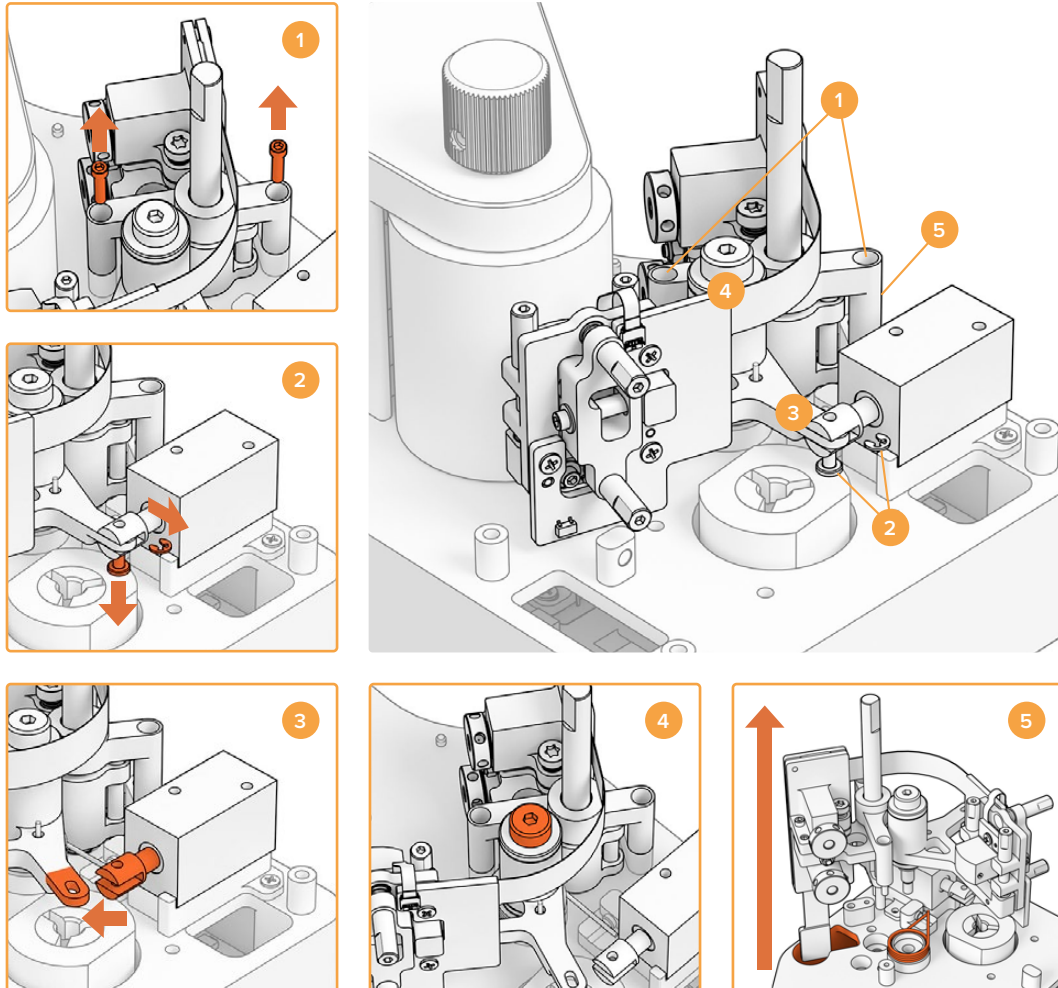
Remove the Backplate From the Reader



1. Removing backplate 2. Disconnecting the sub assembly

- 1 To access the rear of the main PCB you will need to remove the rear cover. Using a T10 driver, unscrew the six countersunk M3 Torx screws and remove the cover.
- 2 On the rear of the reader, flip the connector latch to disconnect the sub assembly from the main PCB.

Removing the Sub Assembly



1. Height adjustment removal 2. Solenoid E clip and clevis pin
3. Mag head arm detachment 4. M3 shoulder screw 5. Sub assembly removal

- 1 Gently place the reader onto its back. Remove the two M2 socket head screws from each side of the height adjustment mount using the HEX 1.5 driver.
- 2 Using a pair of small tweezers or pliers, carefully remove the E clip. This will allow you to pull out the clevis pin and detach the arm from the solenoid.

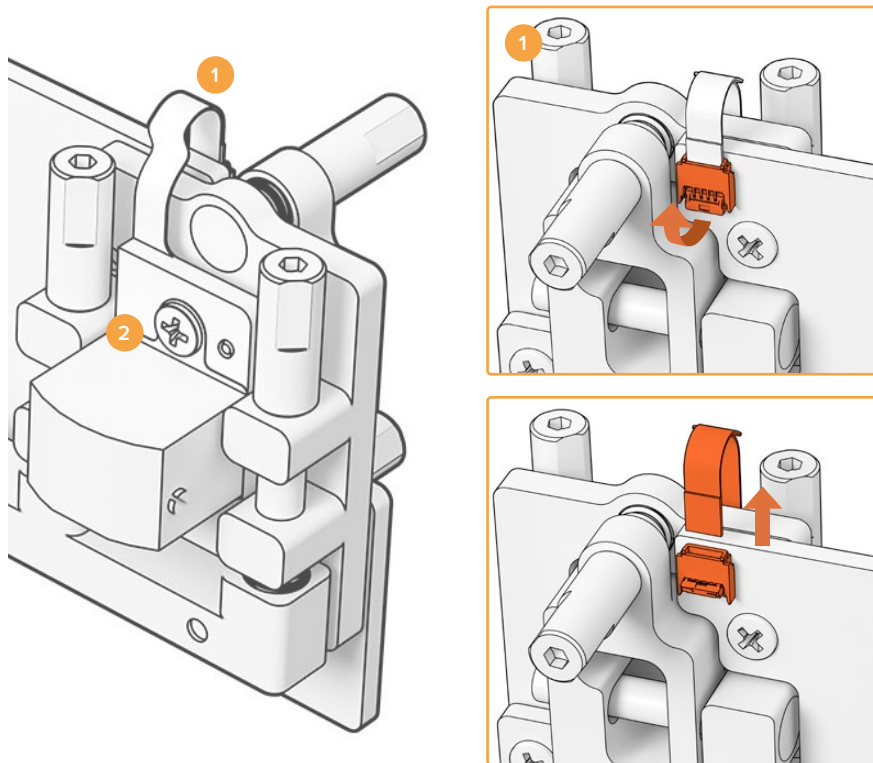
TIP To properly remove the pin, swing the audio arm until the pin can move through the space between the Collet nut and the solenoid. The collet nut is the nut on the back of the XLR connector that clamps the cable.

- 3 Pull the mag head arm sideways to free the sub assembly from the solenoid.
- 4 Use a 2.5mm HEX driver to remove the M3 shoulder screw.

- 5 Carefully pull the sub assembly off the reader, making sure that the audio arm PCB connector passes through the hole in the main PCB. The mag head arm spring may detach during this step. Keep it safe until the sub assembly is rebuilt.

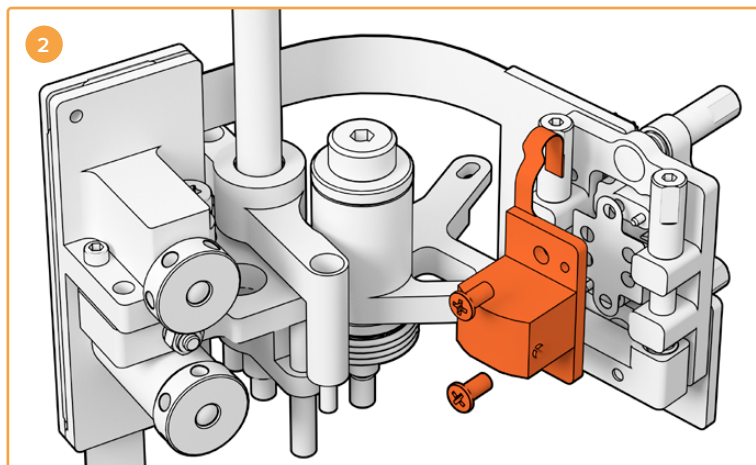
Take the coil spring retainer and the preload spring off of the shoulder screw and the mag head arm spring from the mounting socket.

Removing the Mag Head



1. PCB connector latch 2. Mag head detachment

- 1 On the back of the audio arm PCB, flip the connector latch to release the magnetic head flex PCB. Once it is unlatched, pull out the flex PCB.

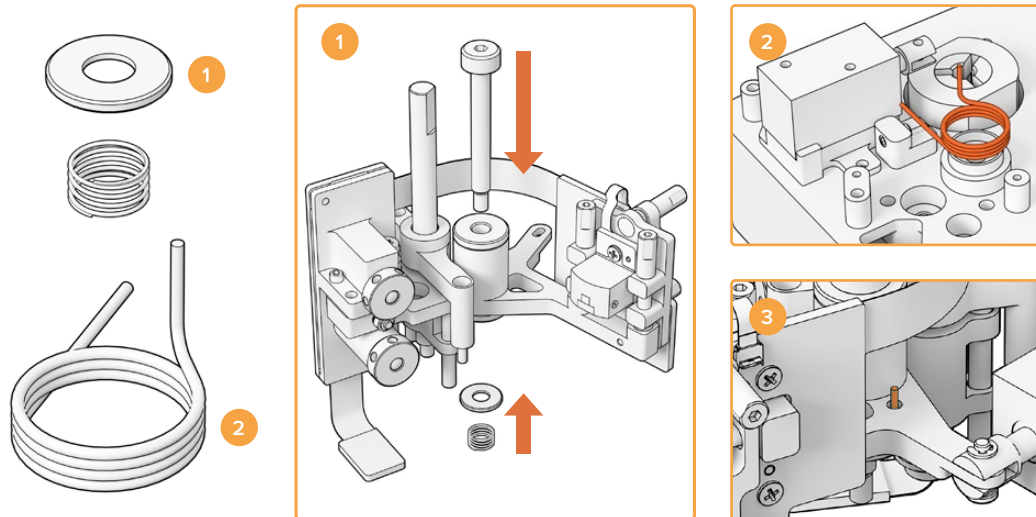


- 2 Unscrew the two M2 pan head screws using a PH00 driver to release the original mag head PCB from the mag azimuth mount. You can now discard the old mag head PCB.

To attach the new mag head, simply follow these mag head removal instructions in reverse order.

Rebuilding the Sub Assembly

Once the mag head has been replaced, you can proceed with rebuilding and attaching the sub assembly to the Audio and KeyCode Reader.



1. Coil spring retainer and preload spring 2. Mag head arm spring
3. Insert mag head arm spring into audio arm

- 1 Slide the coil spring retainer onto the M3 screw with the indent side facing down. Then slide the preload spring onto the M3 screw.
- 2 Place the mag head arm spring on the mounting socket.
- 3 The audio arm has a small hole for the upwards facing end of the mag head arm spring. When installing the sub assembly, insert the upwards end of the spring into the hole.
- 4 Once you have placed these springs on the sub assembly and onto the mounting socket, you can attach the sub assembly to the reader. Simply follow the instructions from the previous sections in reverse order.

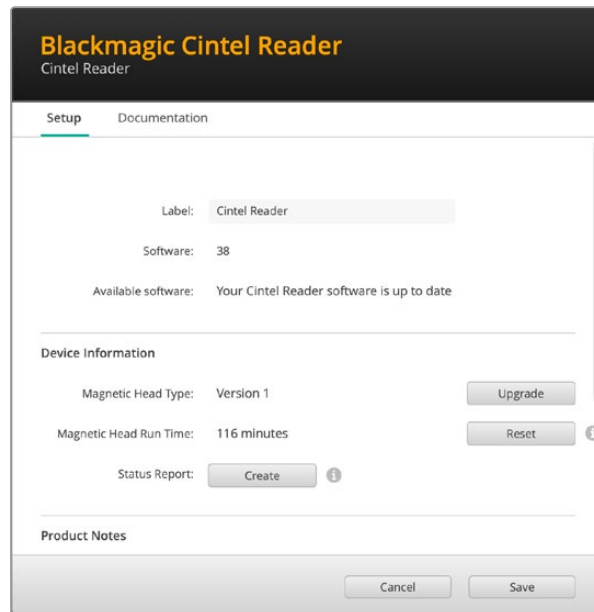
TIP When attaching the sub assembly to the reader, make sure the audio arm PCB connector is threaded through the small hole in the main PCB.

With the sub assembly completed, you can now reattach the Audio and KeyCode Reader to your Cintel Scanner. Connect the reader to your Cintel's XLR port and secure it with the three M3 captive screws.

Do not attach the front covers of the reader yet as you will need to have access to the components for the calibration and testing process.

Reset Magnetic Head Run Time

After replacing the Audio and KeyCode Reader's magnetic head, you will need to reset the runtime counter using the Cintel Setup utility.



In the 'device information' section, click on the button labeled 'Reset'. This will reset the runtime counter so you can monitor the usage of your new magnetic head and keep track of when you might expect to replace it again.

The 'upgrade' button in the Cintel Setup utility is for hardware version 1 to 2 mag reader upgrade usage only. Contact support at www.blackmagicdesign.com/support for further details.

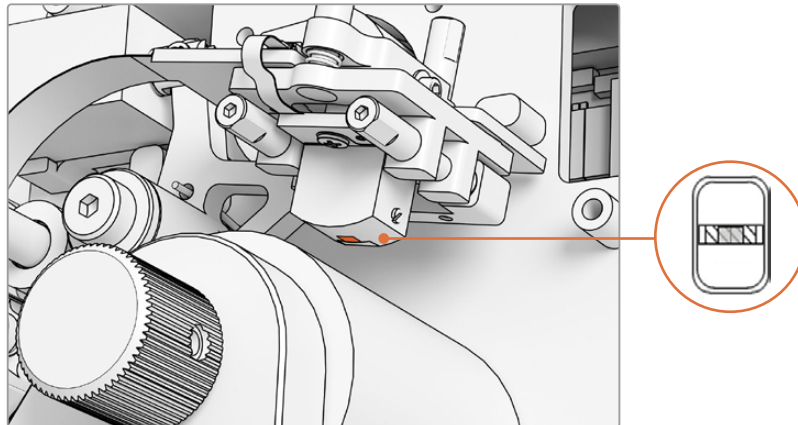
Verifying Head Alignment

Correct alignment of the magnetic head is essential for high quality audio recording and to minimize uneven wear on the magnetic head.

Use DaVinci Resolve to capture suitable optical and magnetic audio files for comparison to your original datum files. We recommend using the following reference films for testing the response of your updated magnetic head:

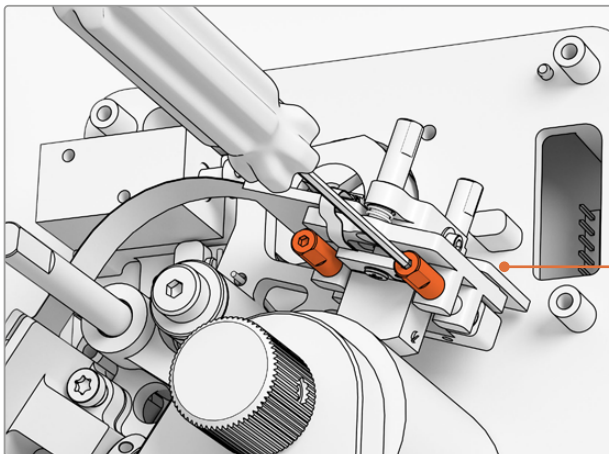
- S16mm Bezugs BF16-10A DIN 15638 25fps multi frequency magnetic test film.
- S16mm SepMag film.
- S16mm leader. White.
- S16mm ComOpt SMPTE P16MF multi frequency.
- S35mm ComOpt SMPTE P35MF multi frequency.
- A suitable customer reference Combined Magnetic Film, or CoMAG, and Combined Optical, or ComOpt, Films.

Magnetic Head

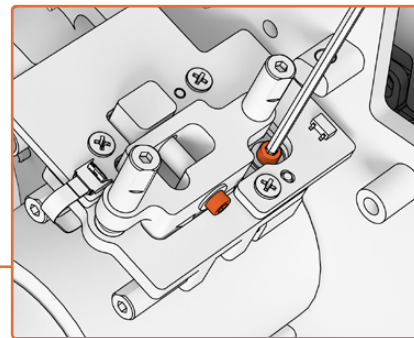


Magnetic head inside the Audio and KeyCode Reader

When you adjust the position and angle of the magnetic head, pay attention to the yaw, zenith, tracking height and azimuth. Use the 1.5 x 60 HEX driver to adjust the azimuth and tracking on the A1 and A2 screws, and if required, the zenith and yaw on the B1 and B2 screws.



Adjusting the azimuth of the mag head by turning the A1 and A2 screws with a 1.5mm SW driver



To release pressure from the pivot point on the azimuth and zenith, loosen the respective M.2 x 8 socket patch screws on the top and on the side of the mag head PCB

Checking the wear pattern:

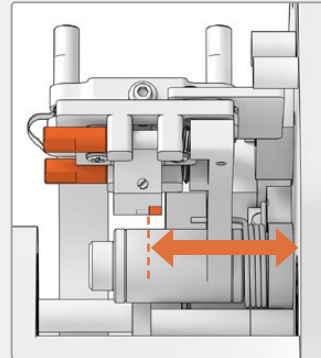
- 1 Apply a marker pen to the tape head face.
- 2 Run film transport with 16mm leader for 3 to 5 seconds only.
- 3 Inspect head wear pattern for balanced wear either side of head gap and adjust as required. Add more marker if multiple runs are required.
- 4 Remove excess marker with alcohol once satisfied.



Correct alignment leads to a balanced wear pattern.

Tracking

Use the horizontal azimuth A1 and A2 screws to physically align the head to a 16mm SepMag track. As measured before the build, you should aim to have the distance between the mag head face edge and reader base set to approximately 23.5mm. Note that all adjuster screws are sprung and grease damped, therefore do not need to be torqued.

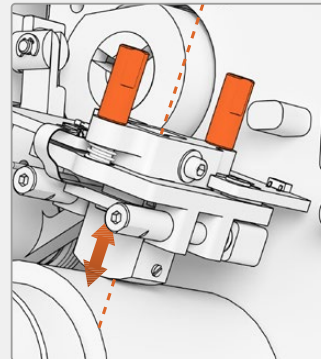


Height

To adjust the mag head height, turn the vertical B1 and B2 screws equally. Examine the height of the head with respect to the alignment to film. This helps to make sure the wear pattern is centered with the gap in the mag head.



Incorrect height leads to an unbalanced wear pattern.

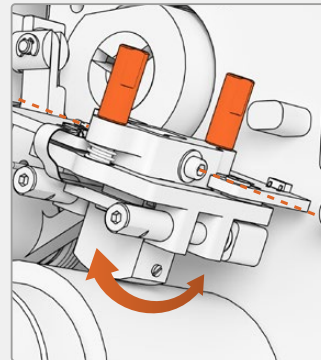


Zenith

To adjust the zenith, also known as the tilt, turn the vertical B1 and B2 screws individually. Examine the angle of the tangent of the head with respect to the alignment to film. This helps to make sure the wear caused by contact with the gap is even.



Incorrect zenith leads to an unbalanced wear pattern.

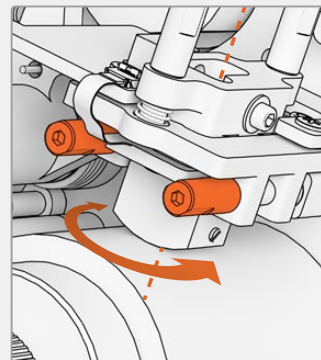


Azimuth

The horizontal A1 and A2 screws for azimuth adjustment set the perpendicular position of the head. Adjust Azimuth A1 and A2 screws for maximum signal modulation and phase linearity.

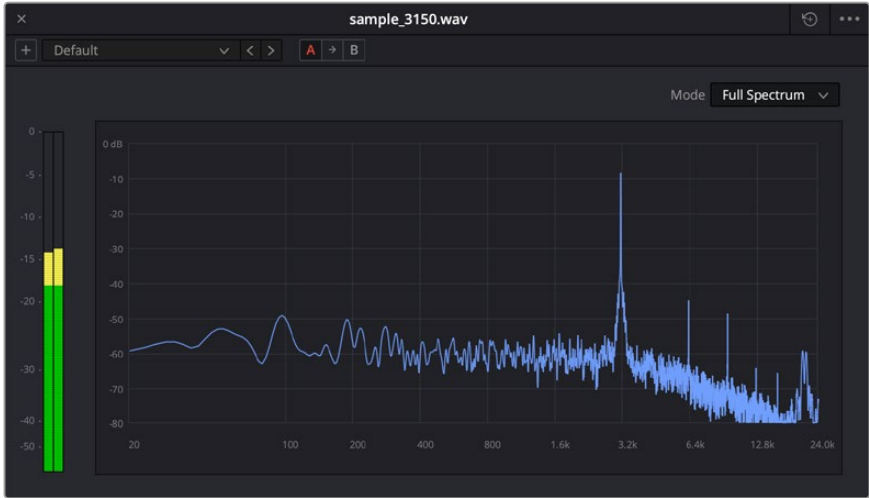


Incorrect azimuth leads to an unbalanced wear pattern and poor high frequency response.



NOTE Once you are satisfied with the setting and performance of the new mag head, re-lock the azimuth and zenith by turning the M.2 x 8 socket patch screws.

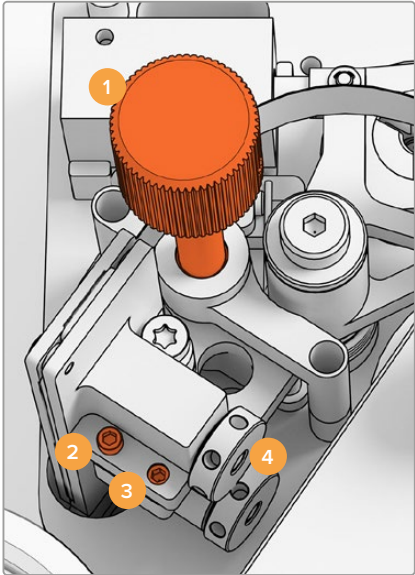
TIP Use a tone test film with as high a frequency as possible, 10kHz is preferable. Capture and review the .wav waveform and FFT in Resolve, using the 'Frequency Analyser' tool set in Fairlight. Alternatively you can use a third party live analyser tool if available via the headphone output port or the Desktop Video audio device for the Scanner.



Frequency analyser 3.15kHz W&F track example

Verifying Optical Block Alignment

Ensure the optical audio block is operating properly by verifying the alignment of the optical audio lenses.



- 1. Tracking adjust knob
- 2. Azimuth adjust M2 screw
- 3. Azimuth lock M3 screw
- 4. Optical audio lenses

Tracking Height

Adjust the tracking height adjustment knob to align the optical audio lenses with the audio tracks on 16mm and 35mm film. Ensure the lenses are covering each discrete audio track without clipping the other. You can gauge the strength of the audio by capturing a Combined Optical film, or ComOpt, and reviewing the waveform and FFT in the DaVinci Resolve Fairlight page using the 'Frequency Analyser' tool. Alternatively you can use a third party live analyser tool if available via the headphone output port or the Desktop Video audio device for the Scanner.

Azimuth

The azimuth for the optical block is preset at the factory. Only carry out the steps below in the unlikely event that you need to adjust the azimuth.

- 1 Release the azimuth lock M3 screw using a 1.5mm HEX driver.
- 2 Using a high frequency stereo 35mm test tone film, turn the azimuth M2 adjustment screw to ensure that the left and right audio channels are aligned and in phase.
- 3 When satisfied with the results, set the azimuth by locking the azimuth lock screw.

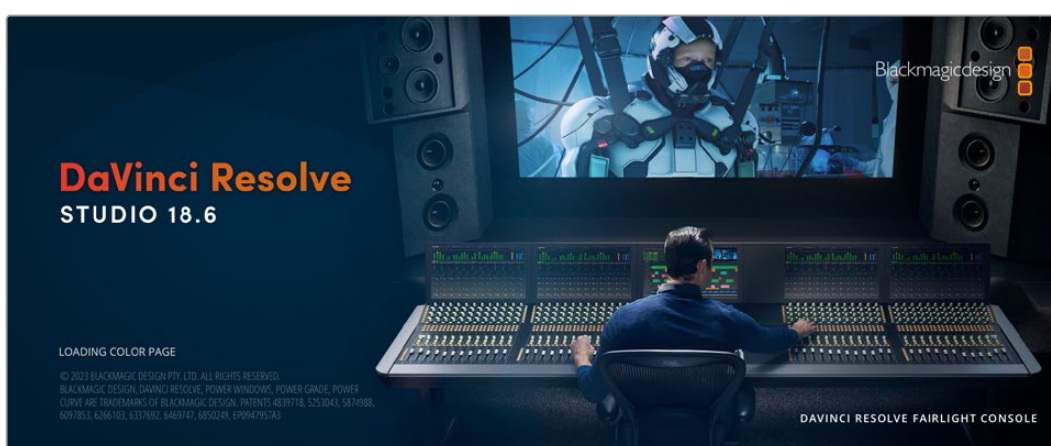
NOTE Occasionally, locking the azimuth lock screw can slightly affect the azimuth settings. If this occurs, simply repeat the steps above.

Once you have completed the calibration of the magnetic head and optical audio block, place the front cover back on and refit the four M3 captive screws with a 2.5mm HEX driver. With the cover secure, you can reattach the adjustment knob using a 1.5mm Hex driver.

Working with Clips in DaVinci Resolve

You can use DaVinci Resolve's 'clone' tool, in the 'media' page, to create running backups as you scan your clips. This is recommended as any type of media is susceptible to becoming damaged or developing a fault so creating backups ensures your scanned files will be immune to loss. Once you have used DaVinci Resolve to back up your media, you can add your scanned clips to the DaVinci media pool, then arrange the clips in a timeline, color correct, and finish your production without ever having to leave DaVinci Resolve.

TIP You can identify HDR clips via the HDR icon in the bottom left corner of the clip thumbnail.



Because your Cintel Scanner captures a CRI raw image format with a wide dynamic range, DaVinci Resolve will help you adjust your shots to get any kind of look you are after. DaVinci Resolve is the same tool used on most major blockbuster movies, so it's much more than a simple NLE software tool, as it has extremely advanced technology built in for high end digital film. You get the advantage of this technology when you use DaVinci Resolve to edit and color correct your scans.

Included here is information on how to get started using DaVinci Resolve with your scanned files. Of course, DaVinci Resolve is extremely advanced and includes a lot more features than you immediately see when first looking at its user interface. To learn more about how to use DaVinci Resolve, please check for the DaVinci Resolve instruction manual on the Blackmagic Design website, where you can also find many training courses and tutorial videos.

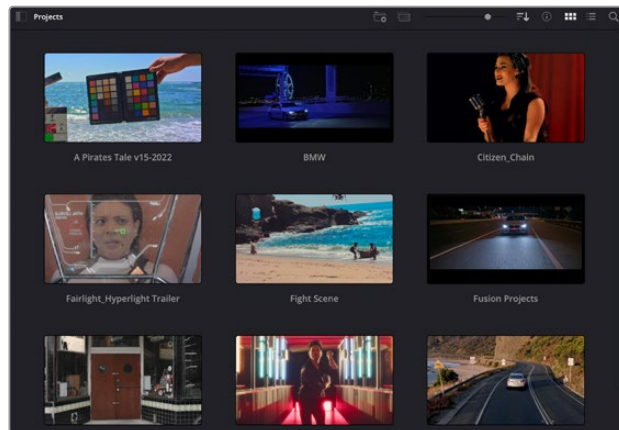
Project Manager

Before you import your clips and start editing, you will need to set up your project using the project manager.

The project manager is the first screen you will see when launching DaVinci Resolve, but you can open the manager at any time by clicking on the 'home' icon at the bottom right of the user interface. This is helpful when you want to open previous projects and create new ones.

To create a new project, click on 'new project' at the bottom of the window and give your project a name. Click 'create'.

Using the 'cut' page, you can start working on your edit immediately.



The project manager shows all projects belonging to the current user

For more information about the project manager, refer to the DaVinci Resolve manual which is available to download on the Blackmagic Design website support page.

Editing with the Cut Page

The 'cut' page gives you a fast, dynamic editing workflow that lets you quickly assemble, trim and edit clips efficiently.

Two active timelines let you work with your entire edit plus a detailed area simultaneously. This means you can drop clips anywhere on a large timeline, then refine your edit in a detailed timeline within the same workspace. Using this workflow, you can edit on a laptop without needing to zoom in and out and scroll as you work, which can be an enormous time saver.

The Cut Page Layout

When you open the cut page, you will see the media pool, viewer window and timeline. These three primary windows give you complete control over your edit.



The 'cut' page default workspace, with the media pool in icon view

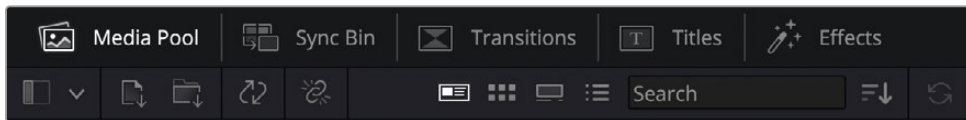
For more information on the 'cut' page, see the chapter named 'The Cut Page' in the DaVinci Resolve manual.

Media Tabs

At the top left corner of the user interface you will see five tabs.

Click on these tabs to open the media toolsets you will use when creating your edit.

For example, the first tab is the media pool and you can see it is already selected. The other tabs are for the sync bin, media transitions, titles and effects.



Media Pool

The media pool contains all your clips, folders and files you imported using the media page. You can also import files directly from the cut page, so you don't have to go back to the media page if you want to import a new clip.

Sync Bin

This powerful feature automatically syncs all your clips via timecode, date and time so you can choose angles from all cameras on a multi camera project.

Transitions

If you click on the neighboring transitions tab, you will see all the video and audio transitions you can use in your edit. These include common transitions such as cross dissolves and motion wipes.

Titles

Next to transitions is the 'titles' tab. Here you can select the title type you want to use. For example a scroll, standard text or lower thirds title. There are also a list of Fusion templates you can use for more animated dynamic titles which can be customized in DaVinci Resolve's 'Fusion' page.

Effects

The fifth tab is the 'effects' tab. This provides all the different filters and effects you can use to bring more life to your edit, for example customizable blurs, glows and lens effects. There are many powerful effects to choose from and you can find them quickly using the search tool.

TIP Use the search tool near the media tab icons to find the exact items you are looking for. For example, if you have the transitions tab selected, type "dissolve" in the search tool and only dissolve transition types will be shown in the viewer, making it quicker for you to find the dissolve transition you want.




Viewer Tabs

In the top left corner of the viewer window you will see the viewer mode buttons.



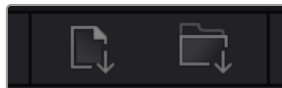
The viewer mode buttons

These buttons control which viewer is currently being used, including 'source clip', 'source tape', and 'timeline'. These viewer modes give you an enormous amount of control when selecting clips for your edit and it's worth spending a moment to look at how they work.



	Source Clip	The source clip viewer displays a single clip from the media pool and you can set in and out points along the entire length of the viewer timeline. This gives you greater control. Select a source clip to view by double clicking on a clip in the media pool, or dragging it into the viewer.
	Source Tape	Source tape lets you view all the source clips in the media pool. This powerful feature is helpful if you want to quickly search through all your clips to find a specific event. As you scrub the playhead over the clips, you will see their thumbnails selected in the media pool. This means once you have found the clip you want to edit, you can click on the source clip tab and its corresponding source clip will appear in the viewer automatically. The source tape viewer really lets you take advantage of non-linear editing, giving you the freedom to work on your edit, find shots quickly, try new ideas and stay in the moment.
	Timeline	The timeline viewer lets you view the edit timeline so you can play back your project and refine your edits.

Importing Clips to the Media Pool

Now you can start importing media into your project. You can do this in the media pool window of the cut page using the import tools at the top.



Select one of the import options to add media to your project

	Import Media	The import media option will import individual media files selected from your storage location.
	Import Media Folder	To import a folder from your media storage, select the import folder option. When importing a folder, DaVinci Resolve will keep the file structure, treating each folder as a separate bin so you can navigate between bins to find your videos and other media files.

To import media:

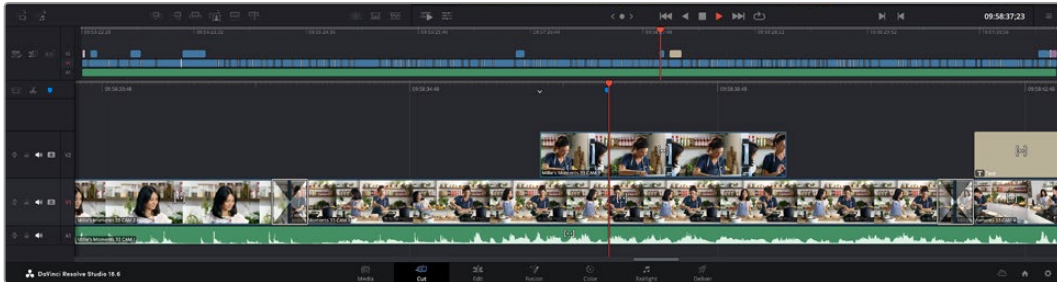
- 1 Click on the 'import media' or 'import media folder' icon.
- 2 Navigate to your media storage for the media you want to import.
- 3 Select the file or folder and click 'open'.

Once you've added media to your project, it is a good time to save your changes. DaVinci Resolve features a fast, on the go autosave called 'live save'. Once you save your project once, 'live save' will save further changes as you make them, removing the risk of losing your work.

For more information on 'live save' and other auto save functions, refer to the DaVinci Resolve Manual.

Adding Clips to the Timeline

Now that you are familiar with the media tabs and viewer mode buttons, you can open the media pool and quickly start adding clips to your timeline.



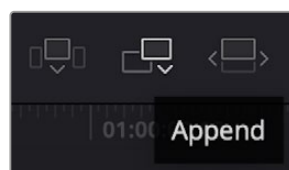
The timeline of the cut page, comprising the upper timeline and the zoomed in timeline below

The timeline is where you will build your edit and is like a board with tracks you can attach clips to, move them around and trim their edits. Tracks let you layer clips over others which gives you more flexibility to try different edits and build transitions and effects. For example, you can try an edit with a clip on one track without affecting other clips on tracks below it.

There are different ways to add clips to the timeline, such as smart insert, append, place on top and more.

Appending Clips

When selecting takes and assembling an edit, you will likely want to add these shots to your timeline one after the other. The append tool is perfect for this task and will get you editing very fast.



Click on the append icon to quickly add clips to the end of the last clip

To append a clip:

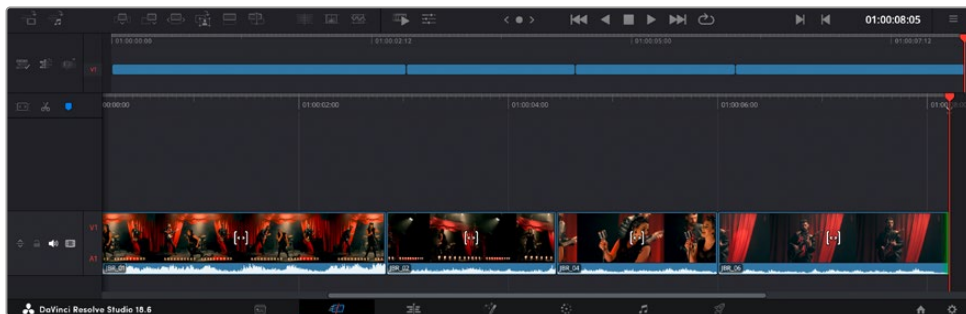
- 1 Double click on a clip in the media pool to open it in the viewer.
- 2 Using the scratch trim tool, drag the in and out points to select the precise duration of your shot. You can also press the 'i' and 'o' keyboard shortcuts to set in and out points.



- 3 Now click the 'append' icon underneath the media pool.

Your first clip will be placed at the head of the timeline.

Repeat steps 1 to 3 to keep adding more clips and they will automatically append, ensuring there are no gaps in the timeline.



Appending clips ensures there are no gaps between them on the timeline

TIP You can speed up the process further by assigning a keyboard shortcut to the 'append' icon. For example, if you assign the 'P' key, you can set your in and out points using 'I' and 'O' then press 'P' to append the clip. Refer to the DaVinci Resolve manual for information on how to assign shortcut keys.

Trimming Clips on the Timeline

With clips added to the timeline, you have complete control to move them around and trim edits.

To trim an edit, hover the mouse over the start or end of a clip, then click and drag it left or right. For example, drag the end of the clip left or right to decrease or increase its duration. You might notice that all clips after that edit will shift on the timeline to accommodate the new adjustment. This is one way the 'cut' page helps to save you time.

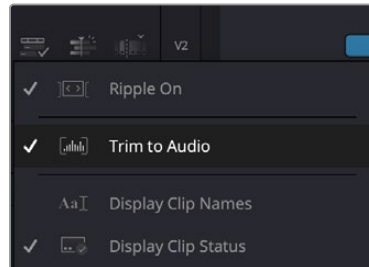
You can even pick the clip up and drop it on a new video track in the large timeline without having to zoom in or out. This speeds up the edit process because it minimizes time navigating a long timeline.

Audio Trim View

Audio trim view helps you make accurate audio edits by expanding the audio waveform in the timeline. This is useful if you're editing a dialogue scene or a music clip and makes it easy to find an edit point between words or beats.

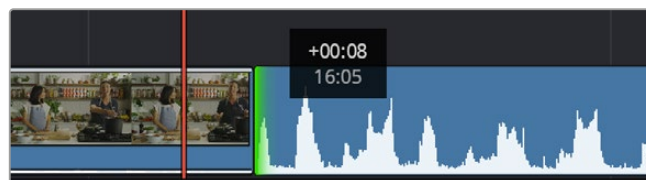
To use Audio Trim view:

- 1 Click the 'timeline options' icon and select 'trim to audio'.



The 'trim to audio' option

- 2 Now when you trim an edit you will see an expanded waveform in the timeline. When you finish trimming, the clips in the timeline will return to their normal size.



Audio trim view expands the audio waveform in the timeline

After you have finished editing clips using the 'cut' page, you might want to add a title. The next section will show you how.

Adding Titles

Placing a title on your timeline is easy and you have many options.

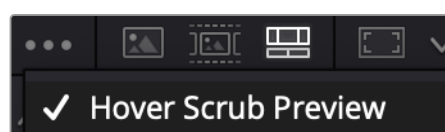
To see the different types of titles you can use, click on the 'titles' media tab at the top left corner of the user interface. In the selection window you will see all the different title generators you can use displayed as thumbnails, from lower thirds, scrolls, to a standard text title. You can even add any of the Fusion titles which are animated titles that you can customize.

Previewing Titles

Before you add a title to your timeline you can preview it from the 'titles' selection window. This lets you quickly scan through all the available options before making a choice.

To preview a title:

- 1 Click the option menu to the top right-hand side of the titles panel and check 'hover scrub preview'.



Enable hover scrub preview from the option menu

- 2 In the 'titles' selection window, hover your mouse pointer over a thumbnail to preview a title in the viewer. If you are previewing an animated or Fusion title move the pointer across the title's thumbnail from left to right to see the animation.



Hover over a title's thumbnail to preview it in the viewer

Once you've chosen a title you can add it to your timeline.

To add a standard title:

- 1 Click on the title and drag it onto the timeline. It doesn't matter which timeline, but for greater accuracy we recommend using the detailed timeline. The title will automatically create a new video track for the title and will snap to the playhead.
- 2 Release the mouse and the title will appear on the new track. You can now move it or change its duration like you would another video clip.
- 3 To edit the title, click on the new title clip and then click the tools icon underneath the clip viewer.

You will now see a row of tools you can use to modify the title clip. For example transform, crop, dynamic zoom and more.

- 4 Now click the inspector tab.

This will open the inspector window where you can type in the title you want and edit the text settings, for example tracking, line spacing, font type, color and more.

You have a lot of options to customize the title exactly how you want it. We recommend playing with all the different settings to see how they can change the appearance and shape of your title.

TIP You can also use the hover scrub function to preview effects, transitions, generators and filters on the 'cut' and 'edit' pages.

Working with Blackmagic RAW Files

Blackmagic RAW clips give you maximum flexibility in post production. This lets you make adjustments to clips, such as white balance and ISO settings, as if you were changing the original camera settings. Working with Blackmagic RAW also retains more tonal information within shadows and highlights, which is useful for recovering details, for example in blown out skies and dark areas of the picture.

It's worth shooting in Blackmagic RAW if you are after the highest possible quality, or for shots where there is an extreme variance between highlights and shadows and you may need to push and pull those regions as much as possible in the grade.

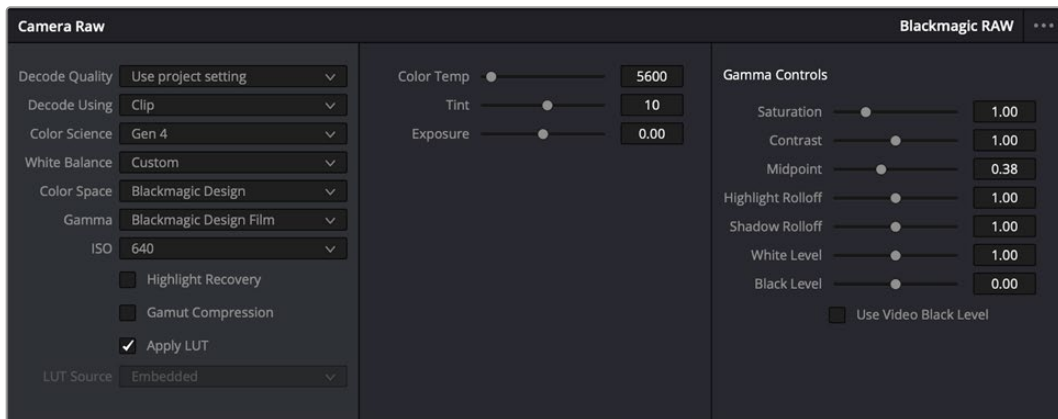
The speed and small file size of Blackmagic RAW means you don't need to make proxy files and playback is just like a standard video clip. This section of the manual describes the features of Blackmagic RAW and how to use Blackmagic RAW files in your DaVinci Resolve workflow.

TIP It is a good practice to adjust the Blackmagic RAW settings for your clips on the 'color' page before you start color grading.

Clip Settings for Blackmagic RAW

When you first import Blackmagic RAW files, DaVinci Resolve will decode the camera data contained in the files using the ISO, white balance and tint settings used at the time of shooting. If you're happy with the look of these settings, you can start editing right away.

The great thing about shooting Blackmagic RAW is that you're not tied to these settings at all! The breadth of available post processing options when working with Blackmagic RAW files mean that you'll develop your own workflow over time. Experimenting with the 'clip' settings for each clip in the 'camera raw' tab will show you just how powerful and flexible working with Blackmagic RAW can be.



In the 'camera raw' tab, select 'clip' from the 'decode using' menu to make adjustments to your clip's Blackmagic RAW settings

Changing Blackmagic RAW Settings

Once you have set DaVinci Resolve to enable clip settings for Blackmagic RAW, the clip settings and gamma controls are now adjustable. Adjusting these settings to optimize your clips can bring them close to a full primaries grade. This is especially powerful when using DaVinci Resolve's scopes which can help you neutralize and balance the clips ready for applying a look.

The following information contains descriptions for the clip and gamma controls.

ISO

The ISO value can be changed by increasing or decreasing this setting. This setting is helpful if you need to set the clip to a brighter or darker starting point for optimization.

Highlight Recovery

Check the box to reconstruct highlight information in clipped channels using information from non-clipped channels.

Gamut Compression

Check the box to automatically maintain safe Gamut levels.

Color Temp

Adjust the color temperature to warm or cool the image. This can be used to help neutralize the color balance in each image.

Tint

Adjusting this setting will add green or magenta into the image to help balance the color.

Exposure

Use this setting to refine the overall brightness of the image.

Saturation

Saturation controls default at 1 and range from 0 for the minimum saturation to 4 for maximum saturation.

Contrast

Defaulting at 1.0, drag the slider to the left for the least amount of contrast at 0 or to the right to increase the contrast up to 2.

Midpoint

In Blackmagic Design Film, your middle gray value defaults to 0.38, or 38.4%. Drag the slider to the left to lower your midpoint or to the right to raise it to 100. When contrast is adjusted away from the default setting, you can modify your highlight and shadow rolloff.

Highlight Rolloff

Adjust the highlights by dragging the slider to the left to lower the value to 0, or to the right to increase the highlights to 2. The default value is 1.

Shadow Rolloff

Drag the slider to the left to lower your shadows to 0 or to the right to raise your shadows to 2.

White Level

Adjust the white point of the gamma curve by dragging the slider from the highest value of 2 to the lowest value of 0. The default value is 1.

Black Level

Raise the black point of the custom gamma curve by dragging the slider to the right from the lowest value of -1 to a maximum of 1. The default value is 0.

Use Video Black Level

Check the box to set your black levels to video.

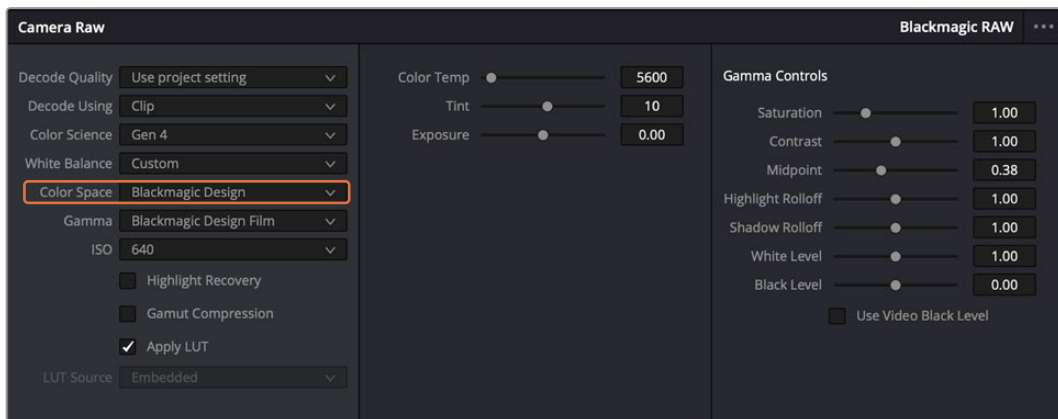
Export Frame

Clicking the 'export frame' button lets you export a single frame from your Blackmagic RAW clip.

Update Sidecar

Click this button to update the Blackmagic RAW sidecar file for the current clip.

Any changes you have made to your Blackmagic RAW clips will be identified by the gamma setting changing to Blackmagic Design Custom.



If you want to revert your clip to one of the default gamma options available, simply select it from the gamma dropdown menu

TIP Gamma controls are disabled for footage shot with the 'video' dynamic range, but you have not lost your Blackmagic RAW data. Simply select Blackmagic Design Film or Blackmagic Design Extended Video from the dropdown gamma menu and make your adjustments.

To save your Blackmagic RAW changes:

- 1 Adjust the gamma controls for your Blackmagic RAW clip.
- 2 Click the 'update sidecar' button.

A 'sidecar' file will now be created in the same folder as your .braw file. When another user imports the Blackmagic RAW files, the sidecar files will automatically be read by DaVinci Resolve. If you make additional adjustments, press 'update sidecar' again.

TIP To remove your sidecar file, you can simply delete it from its location on your media drive.

Project Settings for Blackmagic RAW

If you need to make a setting change that is common to all the clips, for example a global change to the white balance or ISO setting, you can set the clips to use the project 'camera raw' settings and make global changes from there.

To set project settings for Blackmagic RAW:

- 1 Enter the project settings menu by clicking 'file,' and selecting 'project settings.'
- 2 In the 'camera RAW' tab, you'll see a menu next to RAW profile. Click on the arrow to select Blackmagic RAW from the list.
- 3 Select 'project' in the 'decode using' menu.
- 4 Select a color science option from the menu.
- 5 Set the white balance to 'custom'.
- 6 Select 'Blackmagic Design custom' from the gamma menu. Set the color space to 'Blackmagic Design'.

- 7 Choose your resolution from the 'decode quality' menu. A lower resolution will give you better playback on limited systems. You also have the flexibility to change to full resolution later on before delivery for the highest quality output.

Now you can adjust the camera settings for your clips such as saturation, contrast and midpoint. This will affect all clips in your project that are set to decode using 'project'.

Color Correcting your Clips with the Color Page

Now with your clips on the timeline and titles added, you can start color correcting using the 'color' page. The color page is extremely powerful and will define the overall look of your film, but for this example a good place to start is to neutralize all your clips so they are consistent. You can also return to the 'cut' or 'edit' page at any time if you want to make changes to your edit.

The color page lets you adjust the look of your edit and in many ways color correction is an art form in itself. You are really adding emotion to your work when you add color correction. It's an incredibly creative part of the workflow and very satisfying when you learn these skills and can see your work come alive! This is usually the first step and is referred to as primary color correction, or adjusting the primaries. After primary color correction is done, you can then make secondary color correction adjustments which is where you can make extremely precise color adjustments of specific objects in your images. That is a lot of fun, but is normally done after primaries because it helps make the process more efficient and you will get a better result!

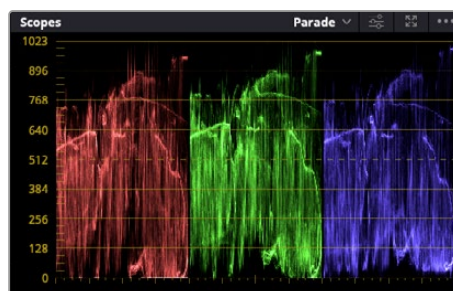
First click on the 'color' tab to open the color page.

You'll see the camera raw settings, color wheels, curves palettes and general color correction tools as well as the preview and nodes window. Don't feel overwhelmed by the vast array of features in front of you, they are all there to help you get the most amazing looking pictures. This getting started section will show the basics, but for more detailed information refer to the relevant sections in the manual. They will show you exactly what all the tools are for and how to use them in easy to follow steps. You'll learn the same techniques the professionals use in high end color correction facilities.

Generally, the first step for primary color correction is to optimize the levels for shadows, mid tones and highlights in your clips. In other words adjust the 'lift', 'gamma' and 'gain' settings. This will help get your pictures looking their brightest and best with a clean, balanced starting point from where you can begin grading the 'look' of your film. To optimize the levels, it's helpful to use the scopes.

Using Scopes

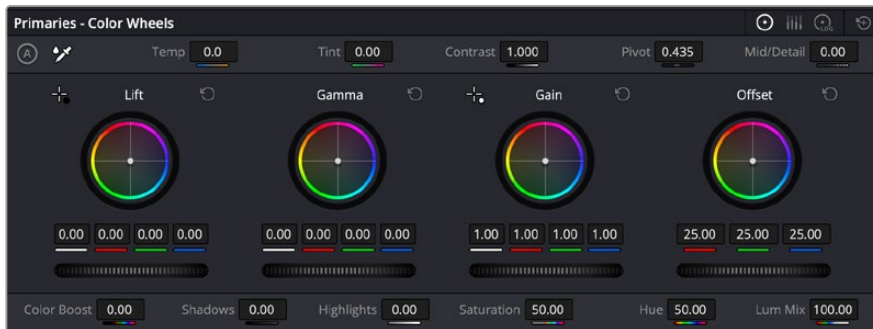
Most colorists make creative color choices by focusing on the emotion and the look they want their program to have and then simply work using the monitor to achieve that look. You can look at everyday objects and how different types of light interact with them to generate ideas on what you can do with your images and a little practice.



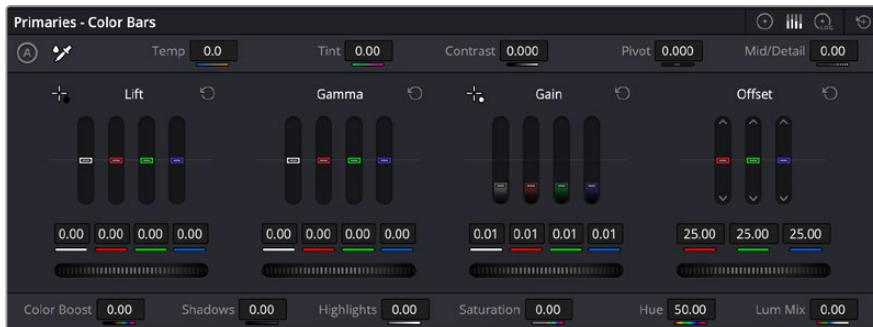
The parade scope helps you optimize highlights, mid tones and shadows

Another way to color grade is to use the built in scopes to help you balance shots. You can open a single video scope by clicking the 'scope' button, which is the second from the right on the palette toolbar. You can choose to display a waveform, parade, vectorscope, histogram or CIE chromaticity scope. Using these scopes you can monitor your tonal balance, check the levels of your video to avoid crushing your blacks and clipping the highlights, plus monitor any color cast in your clips.

The 'color wheels' palette contains the 'lift', 'gamma' and 'gain' controls which will generally constitute your first adjustment. If you've previously had experience with color correction, these should resemble controls you've seen in other applications for doing color and contrast adjustments.



The 'lift', 'gamma', 'gain' and 'offset' color wheels give you total control over the color and tonal balance of your clips. To make a uniform adjustment to all colors for each tonal region, drag the dial underneath the color wheels back and forth



The primaries bars make color adjustments easier when using a mouse

For more accurate control of each color using a mouse, you can change the color wheels to 'primaries bars' which let you adjust each color and luminance channel for the lift, gamma and gain controls separately. Simply select 'primaries bars' from the dropdown menu near the top right of the color wheels.

Adjusting the 'Lift'

With your clip selected on the color timeline, click on the 'lift' dial underneath the first color wheel. Slide it back and forth and watch how it affects your image. You'll see the brightness of the dark regions of your picture increase and decrease.

Set it to where you want the dark areas to look their best. If you decrease the lift too much, you'll lose details in the blacks and you can use the parade scope to help avoid this. The optimal position for blacks on the waveform is just above the bottom line of the parade scope.

Adjusting the 'Gain'

Click on the 'gain' dial and slide it back and forth. This adjusts the highlights which are the brightest areas of your clip. The highlights are shown on the top section of the waveform on

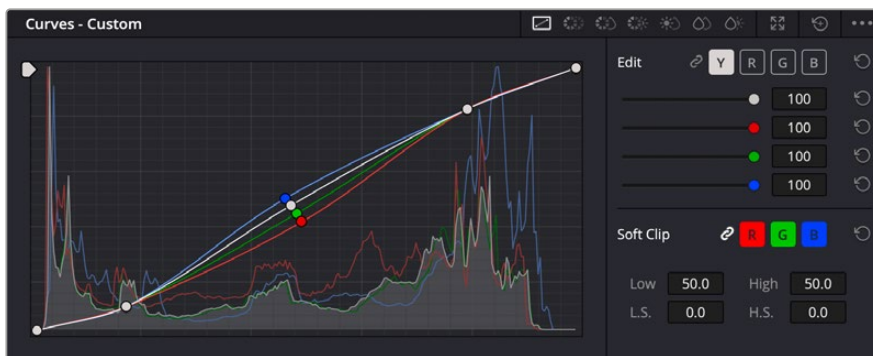
the parade scope. For a brightly lit shot, these are best positioned just below the top line of the waveform scope. If the highlights rise above the top line of the waveform scope, they will clip and you will lose details in the brightest regions of your image.

Adjusting the 'Gamma'

Click on the 'gamma' dial underneath the color wheel and slide it back and forth. As you increase the gamma you'll see the brightness of the image increase. Notice the middle section of the waveform will also move as you adjust the gamma. This represents the mid tones of your clip. The optimal position for mid tones generally falls between 50 to 70% on the waveform scope. However, this can be subjective based on the look you are creating and the lighting conditions in the clip.

You can also use the curves palette to make primary color corrections. Simply click to create control points on the diagonal line inside the curve graph, and drag them up or down to adjust the master RGB contrast at different areas of image tonality. The optimum points to adjust are the bottom third, mid, and top third of the curve line.

There are many more ways of doing primary color correction in DaVinci Resolve.



The curves palette is another tool you can use to make primary color corrections, or enhance specific areas of your clip when using a power window

Secondary Color Correction

If you want to adjust a specific part of your image then you need to use secondary corrections. The adjustments you have been doing up until now using the lift, gamma and gain adjustments affect the whole image at the same time and so they are called primary color corrections.

However, if you need to adjust specific parts of your image, say for example you wanted to improve the color in the grass in a scene, or you wanted to deepen the blue in a sky, then you can use secondary corrections. Secondary color corrections are where you select a part of the image and then adjust only that part. With nodes, you can stack multiple secondary corrections so you can keep working parts of your image until everything is just right! You can even use windows and tracking to allow the selections to follow movement in your images.

Qualifying a Color

Often you'll find a specific color in your clip can be enhanced, for example grass by the side of a road, or the blue in a sky, or you may need to adjust color on a specific object to focus the audience's attention on it. You can easily do this by using the HSL qualifier tool.



Using the HSL qualifier to select colors in your image is helpful when you want to make areas of your image 'pop', to add contrast, or to help draw the audience's attention to certain areas of your shot

To qualify a color:

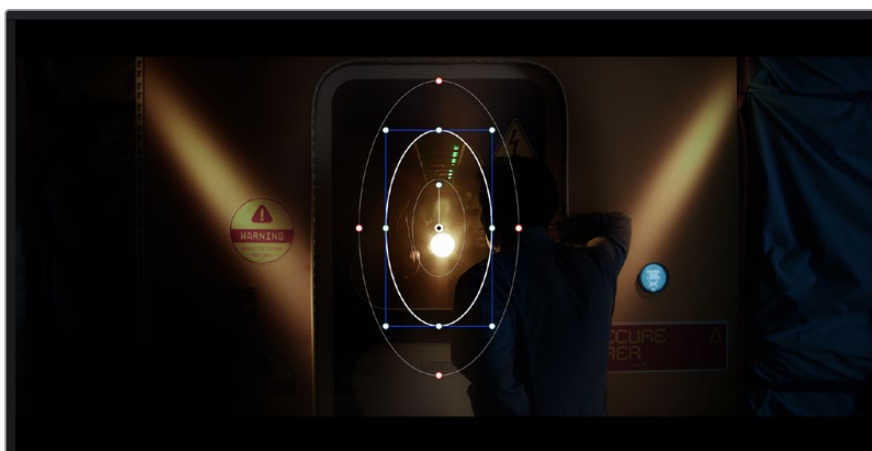
- 1 Add a new serial node.
- 2 Open the 'qualifier' palette and make sure the 'selection range' picker tool is selected.
- 3 Click on the color in your clip you want to affect.
- 4 Usually you'll need to make some adjustments to soften the edges of your selection and limit the region to only the desired color. Click on the 'highlight' button above the viewer to see your selection.
- 5 Adjust the 'width' control in the 'hue' window to broaden or narrow your selection.

Experiment with the high, low and softness controls to see how to refine your selection. Now you can make corrections to your selected color using the color wheels or custom curves.

Sometimes your selection can spill into areas of the shot you don't want to affect. You can easily mask out the unwanted areas using a power window. Simply create a new window and shape it to select only the area of color you want. If your selected color moves in the shot, you can use the tracking feature to track your power window.

Adding a Power Window

Power windows are an extremely effective secondary color correction tool that can be used to isolate specific regions of your clips. These regions don't have to be static, but can be tracked to move with a camera pan, tilt or rotation, plus the movement of the region itself.



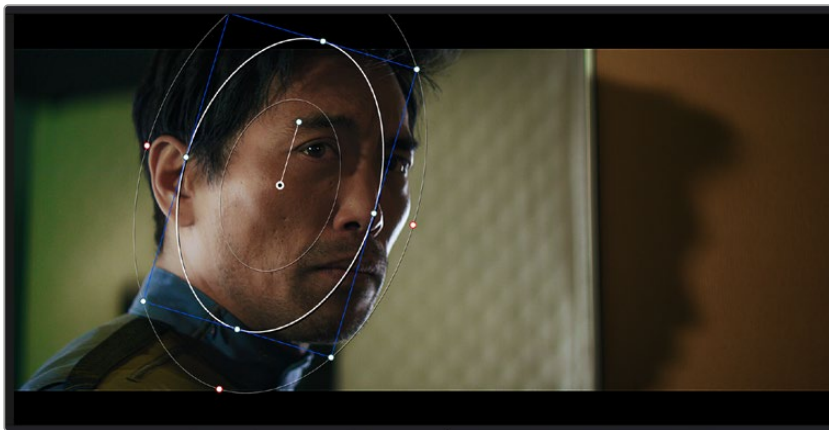
Use power windows to mask out areas you don't want to be affected by the HSL qualifier secondary adjustments

For example, you can track a window on a person in order to make color and contrast changes just to that person without affecting his or her surroundings. By making corrections like this you can influence the audience's attention on areas you want them to notice.

To add a power window to your clip:

- 1 Add a new serial node.
- 2 Open the 'window' palette and select a window shape by clicking on a shape icon. Your selected window shape will appear on the node.
- 3 Resize the shape by clicking and dragging the blue points around the shape. The red points adjust the edge softness. You can position the shape by clicking the center point and moving it to the area you want to isolate. Rotate the window using the point connected to the center.

Now you can make color corrections to your image in just the area you want.



Power windows let you make secondary corrections to specific parts of your image

Tracking a Window

The camera, object or area in your shot may be moving, so to make sure your window stays on your selected object or area, you can use DaVinci Resolve's powerful tracking feature. The tracker analyzes the pan, tilt, zoom and rotation of the camera or object in your clip so you can match your windows to that movement. If this isn't done, your correction can move off the selected target and call attention to itself, which you probably don't want.



You can track objects or areas in your clip using the tracker feature so power windows can follow the action

To track a window to a moving object:

- 1 Create a new serial node and add a power window.

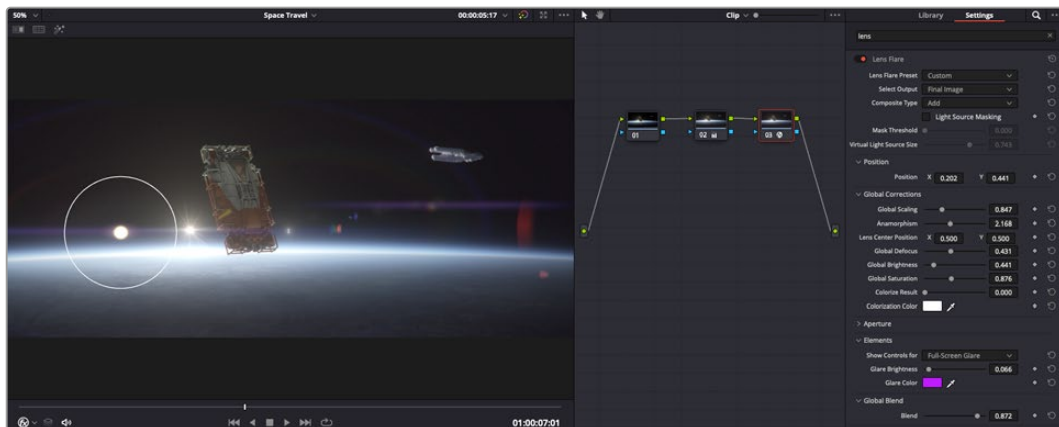
- 2 Go to the start of your clip and position and size the window to highlight just the object or area you want.
- 3 Open the 'tracker' palette. Select the pan, tilt, zoom, rotate, and perspective 3D settings appropriate for the movement in your clip by checking or unchecking the relevant 'analyze' checkboxes.
- 4 Click on the 'forward' arrow to the left of the checkboxes. DaVinci Resolve will now apply a cluster of tracking points on your clip and then step through the frames to analyze the movement. When the tracking is done, your power window will follow the path of the movement in your clip.

Most of the time automatic tracking is successful, but scenes can be complex and sometimes an object can pass in front of your selected area, interrupting or affecting your track. This can be solved manually using the keyframe editor. Refer to the DaVinci Resolve manual to find out more.

Using Plugins

While making secondary color corrections you can also add Resolve FX or Open FX plugins to create fast, interesting looks and effects using the 'color' page, or imaginative transitions and effects on your clips on the 'cut' and 'edit' pages. Resolve FX are installed with DaVinci Resolve, OFX plugins can be purchased and downloaded from third party suppliers.

After installing a set of OFX plugins, you can access them or Resolve FX plugins on the color page by opening the open FX inspector to the right of the 'node editor'. Once you create a new serial node, simply click the 'Open FX' button to open the FX library and drag and drop a plugin onto the new node. If the plugin has editable settings, you can adjust these in the adjoining 'settings' panel.



OFX plugins are a quick and easy way to create an imaginative and interesting look

In the 'edit' page you can add plugin filters, generators and transitions to clips by opening the 'open FX' panel in the 'effects library' and dragging your selected plugin onto the video clip or track above your clip on the timeline depending on the plugin requirements.

Mixing Audio in the Edit Page

Once you have edited and color corrected your project, you can begin to mix your audio. DaVinci Resolve has a helpful set of features for editing, mixing and mastering audio for your project directly in the 'edit' page. For projects requiring more advanced audio tools, the Fairlight page provides you with a full audio post production environment. If you are already

familiar with the edit page and want to move straight to Fairlight, skip this section and move onto the next.

Adding Audio Tracks

If you are working in the edit page and want to mix a basic sound edit with lots of sound effects and music, you can easily add more audio tracks when you need them. This can be helpful when building your sound, and separating your audio elements into individual tracks, for example, dialogue, sound effects and music.

To add an audio track to the 'edit' page:

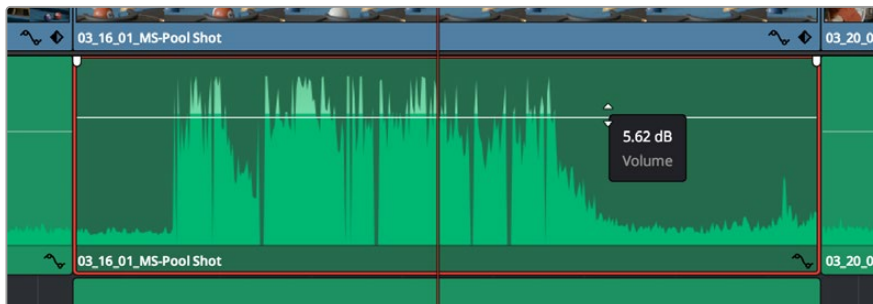
Right click next to the name of any audio track on your timeline and select 'add track' and choose from the options, including 'mono', 'stereo', and '5.1'. This will add the track to the bottom of the track list. Alternatively select 'add tracks' and select the position you would like the new track or multiple tracks placed.

Your new audio track will appear on the timeline.

TIP If you wish to change the type of track after creating it, right click next to the name of the track and select 'change track type to' and select the type of audio track you want, such as stereo, mono or 5.1.

Adjusting Audio Levels in the Timeline

Each clip of audio in the timeline has a volume overlay that lets you set that clip's level by simply dragging it up or down with the pointer. This overlay corresponds to the Volume parameter in the Inspector.



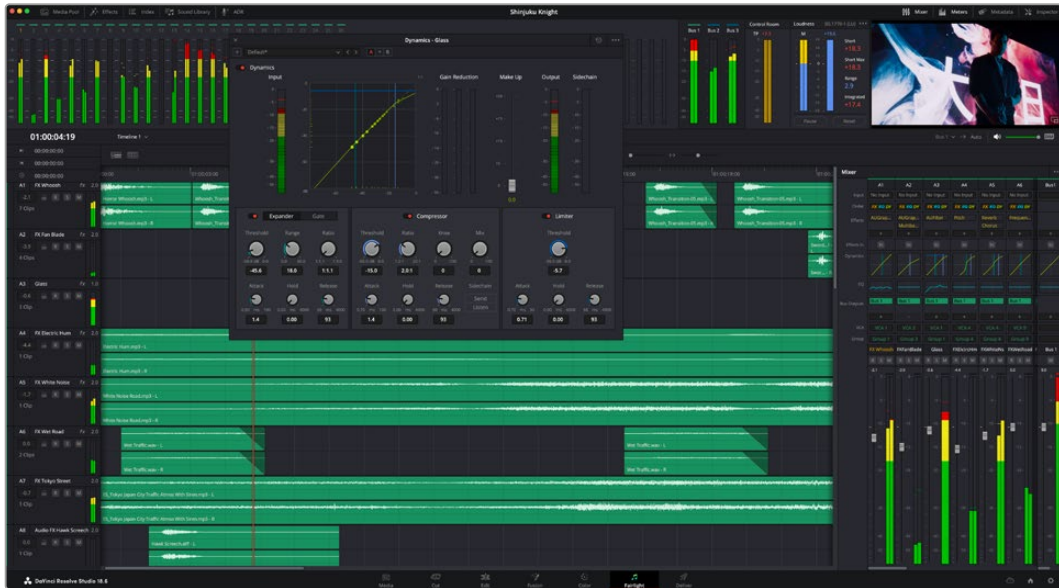
Dragging a volume overlay to adjust the clip level

For projects requiring more advanced audio tools, the Fairlight page provides you with a full audio post production environment.

The Fairlight Page

The 'Fairlight' page in DaVinci Resolve is where you adjust your project audio. In single monitor mode, this page gives you an optimized look at the audio tracks of your project, with an expanded mixer and custom monitoring controls that make it easy to evaluate and adjust levels in order to create a smooth and harmonious mix. Don't feel overwhelmed by the vast

array of features in front of you, they are all there to help you deliver the best audio quality for your project.



This guide provides a basic overview of the features on the Fairlight page, but to learn more about all the details for each feature, refer to the DaVinci Resolve manual. The DaVinci Resolve manual provides details on the purpose of each tool and describes how to use them in easy to follow steps.

The Audio Timeline

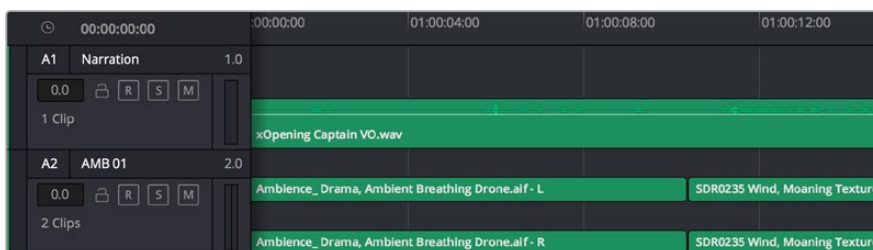
The audio timeline displays the audio channels and tracks of the currently selected timeline in a one channel per track arrangement. This layout is ideal for audio mixing and sweetening.

Track Header

At the left of each track is a header area that displays the track number, track name, track color, audio channels, fader value and audio meters. The track header also contains different controls for locking and unlocking tracks, plus solo and muting controls. These controls can help to keep your tracks organized, and let you preview individual tracks one at a time.

Tracks

Each track on the Fairlight page is divided into lanes, which show each individual channel of clip audio for editing and mixing. The edit page hides these individual audio channels, displaying only a single clip in the timeline to make it easier to edit multi channel sources without needing to manage a huge number of tracks.



The track header on track A1 indicates a mono track with a single lane for mono audio, and the A2 track header indicates a stereo track with two lanes to accommodate stereo audio

What is a Bus?

A bus is essentially a destination channel made up of audio sources grouped together into a single signal that can be controlled via a single channel strip. Fairlight automatically creates a bus for you and all the audio tracks in your timeline are sent to this bus by default, this means you can adjust the overall level of your audio mix once you have adjusted the level of each individual track.

If your edit is a bit more complex you can create more buses and combine multiple tracks of audio that belong to the same category such as dialogue, music or effects so that everything in that category can be mixed as a single audio signal. For example, if you have five dialogue tracks, you can route the output of all five dialogue tracks to a separate bus, and the level of all dialogue can then be mixed with a single set of controls.

The Fairlight Flexbus structure gives you complete flexibility over bus types and signal routing including the option for bus-to-bus, track-to-bus and bus-to-track routing. For more information on audio bus settings in Fairlight, refer to the DaVinci Resolve manual.

The Mixer

Each audio track in your timeline corresponds to an individual channel strip in the mixer and by default there's a single strip on the right for the default bus labeled 'Bus 1'. Additional channel strips will appear on the right hand side with a set of controls for each additional bus you create. A set of graphical controls allows you to assign track channels to output channels, adjust EQ and dynamics, set levels and record automation, pan stereo and surround audio, and mute and solo tracks.

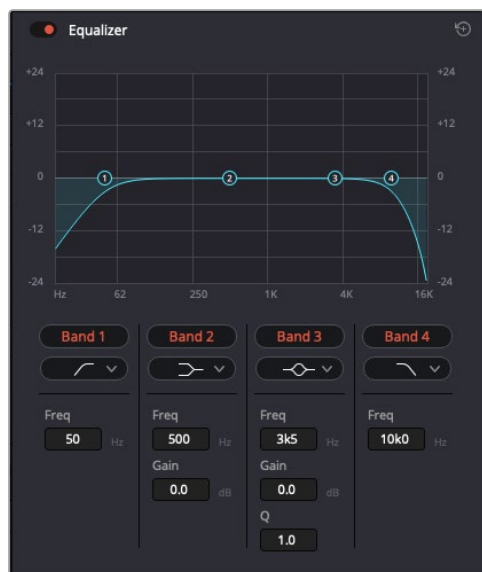


The audio mixer with channel strips corresponding to the tracks in the timeline

Using the Equalizer to Enhance your Audio

After adjusting the audio levels of your audio clips in your project, you may find that the audio needs further finessing. In some cases you may find that the dialogue, music and sound effects are competing for the same frequency on the audio spectrum, making your audio too busy and unclear. This is where using EQ can help, as it allows you to specify the parts of the audio spectrum that each track occupies. You can also use an equalizer to help remove unwanted elements from your audio by isolating and reducing the level on particular frequencies that contain low rumbles, hums, wind noise and hiss, or simply to improve the overall quality of your sound so it is more pleasing to listen to.

DaVinci Resolve provides EQ filters that can be applied at a clip level to each individual clip or at the track level to affect entire tracks. Each audio clip in the timeline has a four band equalizer in the inspector panel, and each track has a 6 band parametric equalizer in the mixer panel. The graphical and numeric controls for boosting or attenuating different ranges of frequencies, and different filter types allow you to define the shape of the EQ curve.



The four band equalizer can be applied to every clip in the timeline

Outer bands let you make band filter adjustments using hi-shelf, lo-shelf, hi-pass and lo-pass filters. A pass filter affects all the frequencies above or below a particular frequency, by removing those frequencies completely from the signal. For example, a high pass filter will allow the high frequencies to pass through the filter while cutting the low frequencies. Any frequencies outside the cutoff frequency are cut gradually in a downward sloping curve.

A shelf filter is less aggressive, and is useful when you want to shape the overall top end or low end of the signal without completely removing those frequencies. The shelf filter boosts or cuts the target frequency and every frequency either above or below it evenly, depending on whether you use a high shelf or low shelf.

The middle sets of band controls let you make a wide variety of equalization adjustments, and can be switched between lo-shelf, bell, notch, and hi-shelf filtering options.

Bell

Bell filters boost or cut frequencies around a given center point of the bell curve, and as the name suggests the shape of the curve is like a bell.

Notch

Notch filters allow you to specifically target a very narrow range of frequencies. For example, removing a mains hum at 50 or 60Hz.

Lo-Shelf

Low shelf filters boost or cut the target frequency at the low end, and every frequency below it

Hi-Shelf

High shelf filters boost or cut the target frequency at the high end, and every frequency above it

To add EQ to an individual clip:

- 1 Select the clip in the timeline that you want to add the EQ filter to.
- 2 Click on the inspector and then click the 'equalizer' enable button.

To add EQ to a track:

- 1 Double click in the EQ section for one of your tracks in the mixer to open the equalizer for that track.
- 2 Select the band filter type from the dropdown menu for the band you want to adjust.



The EQ section in the mixer panel indicating an EQ curve has been applied to track one



The 6 band parametric equalizer that can be applied to every track

Once you have added EQ to your clip or track, you can adjust the EQ for each band. Note that controls may vary depending on which band filter type is selected.

To adjust the EQ for a band filter:

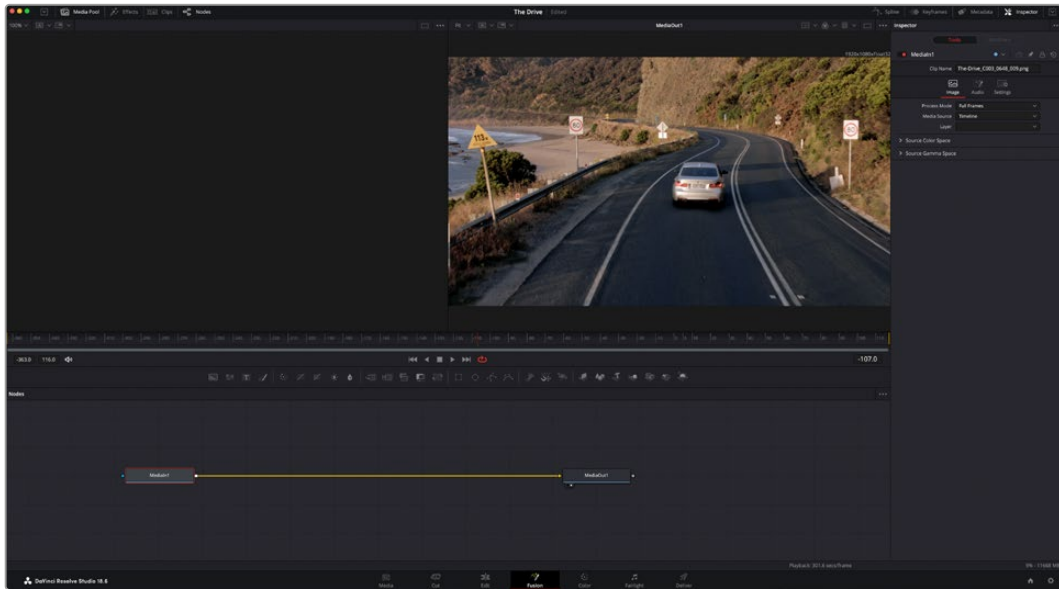
- 1 Select the band filter type from the dropdown menu for the band you want to adjust.
- 2 Adjust the 'frequency' value to select the center frequency of the EQ adjustment.
- 3 Adjust the 'gain' value to boost or attenuate the frequencies governed by that band.
- 4 Use the 'Q factor' value to adjust the width of affected frequencies.

Use the reset button to reset all controls in the EQ window to their defaults.

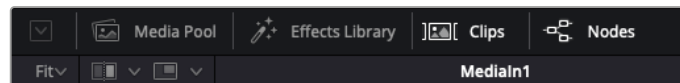
Fairlight has many controls you can use to improve the quality of each audio track. You can add more tracks and arrange buses to organize them, plus add effects like delay or reverb, and generally perfect your audio mix.

Adding VFX and Compositing with the Fusion Page

Now that you have completed your edit, you can open the Fusion page to add 2D or 3D visual effects and motion graphics right within DaVinci Resolve. Unlike layer based compositing software, Fusion uses nodes, giving you the freedom to build complex effects while routing image data in any direction. The nodes window clearly shows every tool used along the way. If you have experienced the node workflow in the color page, this will feel familiar to you.



The Fusion page features 2 viewer windows across the top with transport controls to view your media, an inspector window to the right to access tool settings, and a nodes window at the bottom where you build your composition. While the viewers and transport controls are always visible, clicking on the icons on the interface toolbar at the very top of the display will let you show or hide the nodes and inspector windows, or reveal or hide additional windows including the effects library and editors for spline and keyframes.



Media Pool

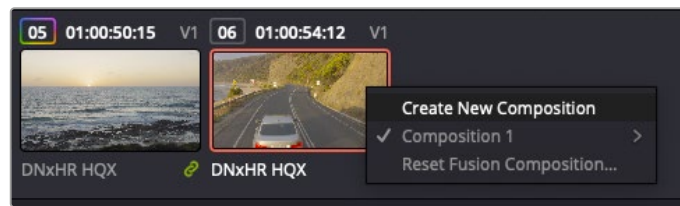
The media pool functions the same way as it appears in the edit page. Simply drag additional media from your bins directly to your composition.

Effects Library

The effects library is where you will find your Fusion tools and templates sorted into categories including particle, tracking, filters and generators. You can either click on the tool or drag it to the nodes area to add it to your composition. The media pool and effects library take up the same screen area, so you can swap between the two to keep your viewers as large as possible.

Clips

Clicking the clips tab will reveal or hide thumbnails representing clips on your timeline. The thumbnails are located underneath the nodes editor, letting you instantly navigate to other clips.



Create a new version of your composition by right clicking on a thumbnail and selecting 'create new composition'

Viewers

The viewers are always visible and let you see the different views of your composition, for example an overall 3D perspective via the merge 3D node, a camera output, or your final render output. These viewers also let you see how your changes are affecting a specific element.

You can choose which nodes to view by clicking on a node and typing '1' for the left viewer or '2' for the right viewer. White button icons appear beneath the node to let you know which viewer it is assigned to. If you're using external video monitoring, there will be a third button available to route your media to your external video monitor.

TIP You can also assign a node to a viewer by dragging the node into the viewer itself.

The transport controls underneath the viewers let you skip to the start or end of the clip, play forward or reverse, or stop playback. The time ruler displays the entire range of a clip, with yellow marks indicating the in and out points.



The yellow marks on the time ruler indicate your clip's in and out points on your timeline. If you are using a Fusion clip or compound clip, the time ruler will only show you the duration of the clip as it appears on the timeline, without handles.

Nodes

The nodes window is the heart of the Fusion page where you build your node tree by connecting tools together from one node's output to another node's input. This area will change size depending on which editors are open, for example the spline or keyframes editor. A toolbar at the top of the nodes area features the most commonly used tools for fast access.

Spline

When the spline editor is open, it will appear to the right of the nodes window. This editor lets you make precise adjustments to each node, such as smoothing the animation between two keyframes using bezier curves.

Keyframes

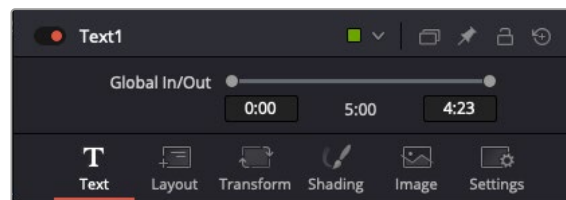
Keyframes for each tool can be added, removed or modified using the keyframes editor. This also appears to the right of the nodes viewer.

Metadata

The metadata window will show you metadata available for the active clip, including the codec, frame rate and timecode.

Inspector

The inspector in the top right corner displays all settings and modifiers available for one or more selected nodes. Additional tab options will appear to provide quick access to other settings for nodes sorted by category.

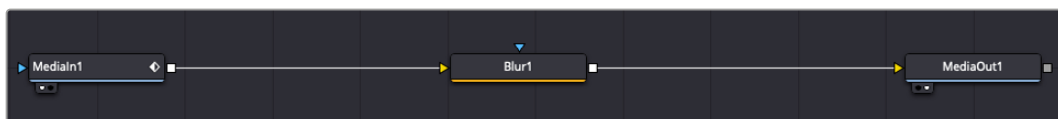


The text inspector contains additional tabs for text, layout, transform, shading, image and settings

Getting Started with Fusion

To get started with Fusion, simply position your playhead over any clip on your timeline and click on the 'Fusion' tab to open the Fusion page.

On the Fusion page, your clip is immediately available in a media input node labelled 'MediaIn'. Every composition will begin with a 'mediain' and a 'mediaout' node. This mediain node represents the top most clip of your timeline at the playhead, and ignores any clips underneath. Any adjustments you've applied to the clip on the edit page, such as transform tools and cropping changes, are also included.



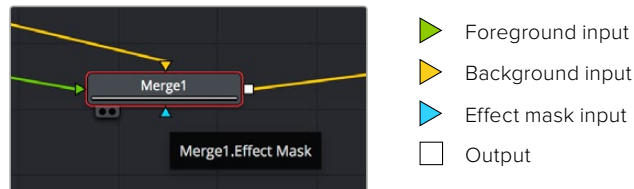
The media output node, named 'MediaOut', is the node that sends the output back to your timeline on DaVinci Resolve's edit page

TIP ResolveFX or OFX plug-ins applied to clips in the cut or edit pages are not applied in the Fusion page. This is because Fusion effects occur prior to color correction and OFX/ResolveFX processing. If you want OFX applied before Fusion effects, right click the clip in the edit page and select 'new fusion clip' before clicking on the Fusion page.

Understanding Nodes

It can be helpful to think of each node as a visual icon representing a single tool or effect. Nodes are connected to other nodes to build the overall composition, much like ingredients in a cake. It's important to understand the inputs and outputs of each node as this will help you navigate the flow of your composition while building detailed visual effects.

Some tools have multiple inputs and outputs you can connect to other nodes. The merge node, for example, lets you attach a foreground input, background input, and a mask input for mattes or keys.

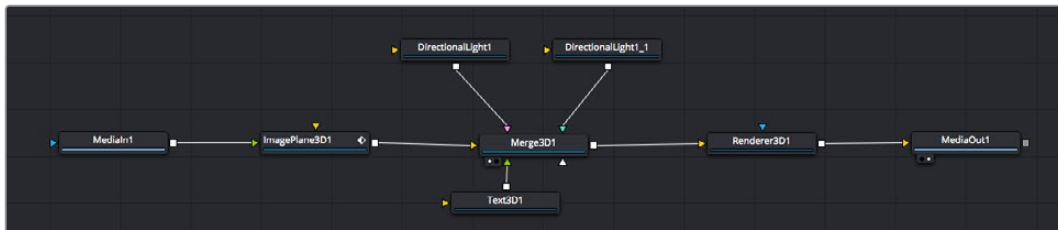


Multiple outputs on nodes means a single node can connect to many different nodes in your composition, so you don't have to duplicate clips as you would in layer based software. Arrows on the line between connected nodes are a great visual indicator to show you which direction the image data is flowing.

Adding Nodes to the Node Editor

Adding effects is as simple as placing nodes on the line between the 'mediain' and 'mediaout' nodes.

There are a few ways you can do this. You can hold down the shift button and drop a node between two nodes, or click on the node you want to attach an effect to and select the tool you want to add. The new node will automatically connect to the tool selected. You can also add a node anywhere on the node window and manually connect nodes by dragging the output of one to the input on another.



The most commonly used tool is the 2D or 3D merge node. This node is like a central hub that combines tools on the node editor into a single output.

The merge node has controls for how the inputs are managed, including settings for size, position, and blend. These settings are all accessible in the inspector panel when the merge node is selected.

The toolbar above the node panel contains the most commonly used tools as icons that you can either click on to add the node, or drag the tool to the node panel. If you want to see all the complete tools available, click on the 'effects library' in the top left corner and expand the 'tools' option. Here you'll find all the tools sorted by category, as well as a set of pre-built 'templates' you can use, for example lens flares, shaders and backgrounds.

TIP Once you're familiar with the tool names, you can hold down 'shift' and press 'spacebar' on your keyboard and a 'select tools' menu will appear. As you type the tool name, the menu will suggest the relevant tool. This is a very fast way to select the tool you want.

Adjusting Nodes Using the Inspector Panel

Adjust your node settings using the inspector panel. Simply click on the node you want to modify and the panel will update to display its settings and controls.

With Fusion, you don't have to be viewing the node you're editing, as you can modify one node while viewing another in your composition. For example, you can modify the size and center position of a 'text+' node while the merge node is in the viewer, letting you view the text relative to the background.



Selected nodes appear with a red border. Here the inspector panel is displaying the layout tab controls for the text node.

There are different parameters and settings you can adjust for every node depending on its task, from sizing and center positions to changing the number of particles in an emitter node. Setting keyframes and changing the settings over time will animate the effect.

Working with Keyframes

In the inspector window, set a keyframe by right clicking on a setting and choosing 'animate' from the contextual menu. The keyframe icon to the right of the setting will turn red. This means keyframes are now active and any changes you make will be applied to the current frame only. When two or more keyframes are created by changing the setting parameters on a different frame, a transition is interpolated between them. Arrows on each side of the keyframe icon let you move the playhead to those exact positions on the timeline.



Here, the 'size' keyframe animation has been smoothed into a bezier curve. You can click the bezier handles to shorten or lengthen the curve, or the keyframe square icons to move the keyframe location.

The splines panel gives you further control over keyframe animation. You can select keyframes, such as the first and last, and smooth the animation between them into a bezier curve by typing 'shift' + 's', or right clicking on a keyframe and selecting 'smooth'.

Using the Motion Tracker and Adding Text

To get a better idea of how to use Fusion, we have included the following examples to show how to use the tracker tool to track an element in a clip, plus add text and attach it to the element using the tracking data.

The 'tracker' tool tracks pixels over time on the x & y axis, and generates data you can use to attach other elements. This is great for when you want to match the position of text to a moving object, such as a car driving along the road, or a bird as it flies across frame.

- 1 In the 'effects library', select the 'tracker' tool and drag it to the line between the 'mediain' and the 'mediaout' nodes. Now click the tracker node to reveal its properties in the inspector.
- 2 Type '1' on your keyboard to see the 'tracker' node on the left viewer. The clip will appear in the viewer together with the tracker at its default position. Hover your mouse pointer over the tracker to reveal the tracker handle. Click on the tracker handle at the top left corner and drag the tracker to an area of interest on your clip. High contrast areas work well, for example the badge on the hood of a car. The tracker will magnify the image area for extra precision.
- 3 In the inspector window, click on the 'track forward' button to start tracking. A notification window will appear when the tracking is done. Click OK.



Tracking options in the inspector panel include track reverse from last frame or current frame, stop track or track forward from current frame or first frame.

TIP Track reverse or forward from current frame is great for situations where your area of interest disappears during the render range, such as a car or bird moving out of frame. This lets you track only the relevant footage.

Now you can take that tracking data and apply the motion path to a text tool.

- Click on the 'text+' node icon from the toolbar of commonly used nodes and drag it to the node panel near the 'tracker' node. Connect the 'text' output square to the green foreground input on the 'tracker'.



- Click on the 'tracker' node and type '1' so you can see the merged results on your left hand viewer. In the 'tracker' inspector panel, click on the 'operations' tab. Click the menu next to operation and select 'match move'.
- Click the 'text' node to reveal the properties in the inspector. Type your text into the text box and change the font, color and size to suit your composition.

This will apply the tracking position data from your tracker to your text. If you want to change the text offset, click on the 'trackers' tab back in the inspector panel and use the x and y offset scroll wheels to modify the position.



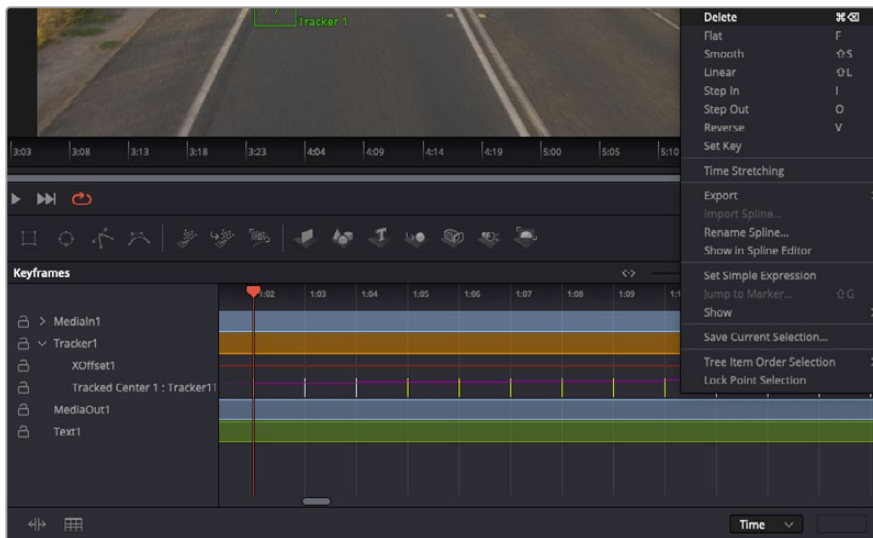
Scroll wheels at the bottom of the tracker inspector panel let you adjust the offset position for the text

Now you can play back your composition and see your text attached to the object you have tracked!



The green square is the tracker's current position along the green path, and the red dashed line is the offset position used to animate the text.

For some shots you might want to remove track points after tracking, such as when the object you are tracking disappears off the screen. The keyframe editor makes this a very simple process.



- 7 Click on the keyframes tab above the inspector to open the keyframes editor. Any nodes with keyframes applied will have a small arrow next to the node label, and only the parameter with keyframes added will appear in the list below. Click on the magnify icon and drag a box around the area you want to edit. This will zoom into that area so you can see the keyframes easier.
- 8 Move the playhead to the location of the last keyframe you want. Now select the keyframes you wish to remove by drawing a box around them with your mouse. The keyframes will highlight yellow. Right click and choose delete from the menu.

TIP If your effects are particularly system intensive, right clicking on the transport controls area will give you viewer options, including proxy playback, helping you get the most out of your system while you build your composition. Refer to the DaVinci Resolve manual for further detail on all the playback options.

You have now completed your first composition animating text to match a movement in your footage!

If you want to track an area of the image that contains a flat surface you want to enhance or replace, you can use the planar tracker. Tracking 2D planes can be helpful for changing labels and signs in a moving image, or even adding an image to a monitor or TV in your shot.

For more information about the planar tracker and the many powerful tools in the DaVinci Resolve Fusion page, see the DaVinci Resolve manual.

TIP As you build visual effects in the Fusion page, it's worth noting if the effect you are building is a 2D effect, or a 3D effect, as this will determine which merge tool is used. You may discover yourself frequently combining 2D and 3D effects in the one composite. In this scenario, it's helpful to remember that any visual effect using the 3D space needs to be rendered as a 2D image before it can be merged into a 2D composite.

We believe you will have lots of fun with Fusion and exploring Fusion’s visual effects with the power of DaVinci Resolve’s edit, color, and Fairlight pages. With all these tools at your finger tips, DaVinci Resolve is incredibly powerful and there is really no limit to what you can create!

Mastering Your Edit

Now you’ve edited, graded, added vfx and mixed your audio, you’ll want to share it with others. You can use the Quick Export button, or menu selection, to output the contents of the Timeline as a self contained file in one of a variety of different formats, or use the additional features of the ‘deliver’ page.



The ‘deliver’ page is where you export your edit. You can select from many different video formats and codecs

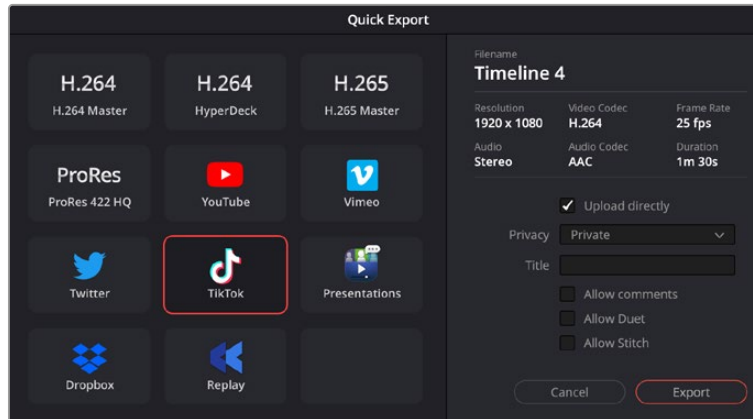
Quick Export

You can choose File > Quick Export to use one of a variety of export presets to export your program from any page of DaVinci Resolve. You can even use quick export to export and upload your program to one of the supported video sharing services, including YouTube, Vimeo, Twitter and Frame.io.

To use Quick Export:

- 1 In the ‘cut’, ‘edit’, fusion’ or ‘color’ page, optionally set in and out points in the timeline to choose a range of the current program to export. If no timeline in or out points have been set, the entire timeline will be exported.
Choose File > Quick Export.
- 2 Select a preset to use from the icons in the quick export dialog. If you want to simultaneously upload to an online account, click ‘sign in’ and then click on the ‘upload directly’ checkbox and fill in the details. Click ‘export’.
- 3 Choose a directory location and enter a file name using the export dialog, then click ‘save’. A progress bar dialog appears to let you know how long the export will take.

NOTE When uploading directly to online accounts such as TikTok, you can also sign in using DaVinci Resolve's Internet account settings. These settings are located in the 'system' tab of the DaVinci Resolve preferences.



Directly upload to TikTok when exporting your project by clicking the 'upload directly' setting and filling in the details

The Deliver Page

This page lets you select the range of clips you want to export, plus the format, codec and resolution you want. You can export in many types of formats such as QuickTime, AVI, MXF and DPX using codecs such as 8-bit or 10-bit uncompressed RGB/YUV, ProRes, DNxHD, H.264 and more.

To export a single clip of your edit:

- 1 Click on the 'deliver' tab to open the deliver page.
- 2 Go to the 'render settings' window on the top left of the page. Choose from a number of export presets, for example YouTube, Vimeo and audio presets, or you can set your own export settings manually by leaving it set to the default 'custom' preset and entering your own parameters. For this example, select YouTube, then click on the arrow next to the preset and select the 1080p video format.

The frame rate will be locked to your project frame rate setting.

- 3 Underneath the presets you will see the timeline filename and the target location for your exported video. Click the 'browse' button and choose the location where you want to save your exported file and then select 'single clip' from the render option.
- 4 Immediately above the timeline, you'll see an options box with 'entire timeline' selected. This will export the entire timeline, however you can select a range of the timeline if you want to. Simply choose 'in/out range' and then use the 'i' and 'o' hot key shortcuts to choose the in and out points in your timeline.
- 5 Go to the bottom of the 'render settings' and click on the 'add to render queue' button.

Your render settings will be added to the render queue on the right side of the page. Now all you have to do is click 'start render' and monitor the progress of your render in the render queue.

When your render is complete you can open the folder location, double click on your new rendered clip and watch your finished edit.

Now that you have a basic knowledge of how to edit, color, mix audio and add visual effects, we recommend experimenting with DaVinci Resolve. Refer to the DaVinci Resolve manual for more details on how each feature can help you make the most of your project!

In DaVinci Resolve Studio, the following 'ResolveFX Revival' plugins can help you restore footage you have scanned with your Cintel Scanner. These powerful tools can reduce noise, repair scratches and blemishes, and help remove other visible damage and artifacts from your film clips.

Automatic Dirt Removal

The Automatic Dirt Removal plugin uses optical flow technology to target and repair temporally unstable bits of dust, dirt, hair, tape hits, and other unwanted artifacts that last for one or two frames and then disappear. All repairs are made while maintaining structurally consistent detail in the underlying frame, resulting in a high quality restoration of the image. Fortunately, despite its sophistication, this is a relatively easy plugin to use; just drop the plugin on a shot, adjust the parameters for the best results, and watch it go.



Original image on the left and using automatic dirt removal on the right

NOTE This plugin is less successful with vertical scratches that remain in the same position for multiple frames and is completely ineffective for dirt on the lens that remains for the entire shot.

Main Controls

The primary controls used to adjust how much dirt is removed from the image.

Motion Estimation Type

Lets you choose from among 'none', 'faster', 'normal', and 'better'. This tunes the tradeoff between performance and quality.

Neighbor Frames

Lets you choose how many frames to compare when detecting dirt. Choosing more frames of comparison takes longer to process, but usually results in finding more dirt and artifacts.

Repair Strength

This slider lets you choose how aggressively to repair dirt and artifacts that are found. Lower settings may let small bits through that may or may not be actual dirt, while higher settings eliminate everything that's found.

Dirt Size Threshold

This slider lets you tune how large a detected bit of dirt must be to be removed. Raising this parameter lets you omit things like film grain from the operation but may allow smaller bits of dirt through.

Show Repair Mask

This checkbox lets you see the dirt and artifacts that are detected by themselves, so you can see the effectiveness of the results as you fine tune this filter.

Fine Controls

These controls let you fine tune the effect in an effort to perfect the tradeoff between removing dirt successfully and preserving true image detail.

Motion Threshold

This slider lets you choose the threshold at which pixels in motion are considered to be dirt and artifacts. At lower values more dirt may escape correction, but you'll experience fewer motion artifacts. At higher values, more dirt will be eliminated, but you may experience more motion artifacts in footage with camera or subject motion.

Edge Ignore

This slider lets you exclude hard edges in the picture from being affected by dirt or artifacts that are removed. Higher values omit more edges from being affected.

Hot Pixel Repair

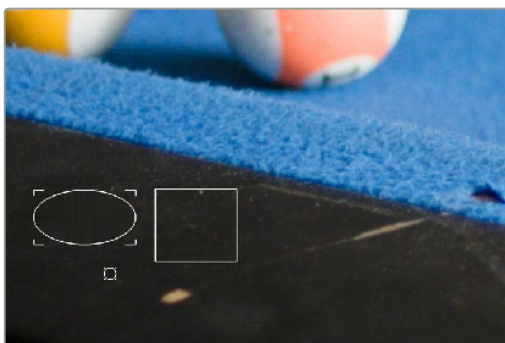
If you have clips from the scanner or imported images with one or more pixels that are fixed in place at a specific color or brightness, DaVinci Resolve has a filter that can help you patch them. This filter is designed to let you place patches on each 'hot' pixel, identifying them so you can use different methods of cleaning those areas of the image.

In many respects, this filter is similar to the Dust Buster, however the Dust Buster effect is designed to repair transient bits of dust and dirt that only last for a frame or two, whereas this filter is designed to work on blemishes that are fixed in place for the duration of a clip.

To fix hot pixels:

- 1 Apply the filter named 'dead pixel fixer' and enable the OFX onscreen controls in the viewer.
- 2 In the filter settings, select 'place patch' and click on each pixel that you need to fix. You can click anywhere in the image and place as many patches as you like.

To move a patch, simply drag it to another location. You can also Option-click to delete patches you no longer need.



Multiple hot pixel removal patches

When you place multiple patches, you can click to select whichever patches you want to adjust the controls for. Each patch can have different control settings.

General

These top level controls let you choose how to draw patches with which to repair blemishes in the frame, whether or not to show their on-screen controls, and how.

Patch Style

There are three different kinds of patches you can draw to deal with different kinds of blemishes in the frame.

Draw Rect

Click and drag to place a rectangular patch of any size from one corner to the opposite corner. Once drawn, you can click on any edge of the overlay and drag to reposition it.

Draw Ellipse

Click and drag to place an elliptical patch of any size from one corner to the opposite corner. Once drawn, you can click on any edge of the overlay and drag to reposition it.

Place Patch

Lets you place small patches specifically for tiny details such as hot pixels. When you choose this option, a 'new patch size' slider appears that lets you adjust the size of the patches you're about to place prior to placing them. Once drawn, you can click on the edge of any patch and drag to reposition it.

New Patch Size when Place Patch is Selected

Lets you choose how large of a patch to place using the place patch tool.

Show Patches

This checkbox lets you show or hide the onscreen outline of every patch in the viewer.

Hide During Interaction

Hides the onscreen outline of every patch in the viewer while you're moving a patch; this makes it easier to see the effect of moving the patch on the image, without the outline getting in the way.

Patch Type

There are three methods you can use to attempt to fix the contents of a selected patch. When drawing new patches, the currently selected patch type will determine what the next patch will be. When you've selected an existing patch, changing the patch type will change how that patch works.

Spatial

Automatically fills the interior of the selected patch with pixels drawn from the surroundings of the patch, using the fill method. This works well for small blemishes, but for large blemishes a pattern might be discernible, which gives away the effect.

Clone

Clone mode copies part of the image to fill a shape or patch placed over the thing you want to remove. In this mode, clicking and dragging to place a rect or ellipse over an imperfection is followed by a second click to place the sample region you want to clone. Clicking once to place a patch will be followed by a second click to place the sample region. Selecting an existing shape or patch and choosing Clone lets you click on the shape to position the clone region. The sample region is indicated by a dotted shape that's connected to the original shape.

Blend Clone

Operates similarly to clone mode, except the copied part of the image that fills the rect, ellipse, or patch is blended with the image to integrate it more softly.

Fill Method

When using the 'spatial patch type', the fill method determines how the blemish in the image is repaired.

Grid

Samples the pixels surrounding the rect, ellipse, or patch, and blurs them inward both horizontally and vertically. Extremely effective for tiny blemishes. For larger blemishes, a grid-like pattern may emerge.

Horizontal

Samples the pixels to the left and right of the rect, ellipse, or patch, and blurs them inward.

Vertical

Samples the pixels to the top and bottom of the rect, ellipse, or patch, and blurs them inward.

Patchy

Samples pixels from all around the rect, ellipse, or patch, and expands and blurs them together to create a soft, non-uniform region with which to repair the blemish. Doesn't have the patterning of the grid methods of fill, but produces an extremely smooth result.

Smooth

Simply uses a gaussian blur to repair the blemish.

Patch Options

These options let you customize the effect of a patch filling over a blemish.

Mute

Lets you turn a particular patch on or off via keyframing. Useful for blemishes that only show up for a few pixels of a shot.

Variability for Spatial Patches

Raising the variability parameter lets you make the fill method less uniform.

Soft Edges

Lets you soften the edges of the patch.

Size Adjust

Lets you change the size of a patch after its creation.

Advanced Controls

These controls let you customize the UI of this effect.

Clone Sticks to Mouse

When enabled, drawing or placing a rect, ellipse, or patch in clone or blend clone mode immediately switches to positioning the sample region, making it faster to use.

New Patches Stay Selected

When enabled, patches stay selected after you draw them, in preparation for further customization.

UI Line Thickness

Lets you choose how thick the on-screen outlines should be.

Patches Stick to

This parameter lets you deal with fixing hot pixels or blemishes on clips that have been stabilized.

Source

Patches you place stay put, unless you apply motion stabilization to the shot, in which case the patches are transformed along with the image so they remain 'stuck' to the feature in the source clip they're fixing.

Scene

If you're eliminating a blemish on a moving subject, you can use the FX tracker to track the thing you're fixing, so the patch follows along with it.

Output Mode

This lets you see different representations of the patched effect you're creating. There are four options.

Patched Result

The final result, with each patch repairing the blemish it's covering.

Patch Locations

Shows a key where each placed patch is white against black.

Differences

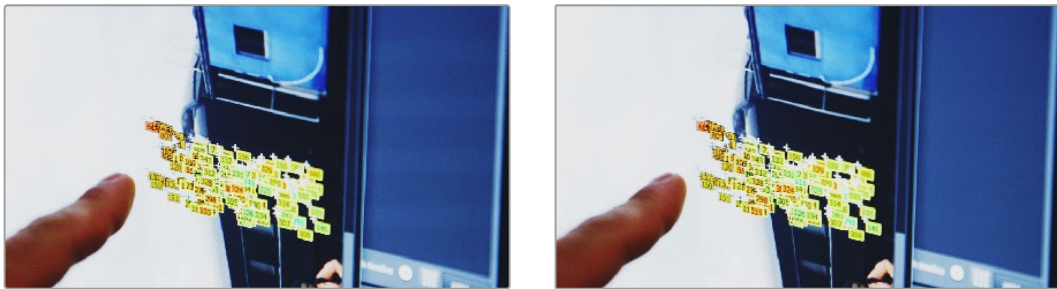
Shows the difference of each patch against the original image.

Difference Magnitude

Shows a more pronounced differences representation.

Deflicker

The Deflicker plugin handles such diverse issues as flickering exposure in timelapse clips, flickering fluorescent lighting, flickering in archival film sources, and in certain subtle cases even the 'rolling bars' found on video screens shot with cameras having mismatched shutter speeds. Two key aspects to this filter are that it only targets rapid, temporally unstable variations in lightness, and that it's able to target only the areas of an image where flickering appears, leaving all other parts of the image untouched. As a result, this plugin can often repair problems once considered 'unfixable.'



Original image on the left, deflicker set to fluoro light on the right

Main Parameters

By default, the top section of this plugin exposes a single control, which in many cases may be all you need.

Deflicker Setting menu

The top two options, 'timelapse' and 'fluoro light', are presets that effectively eliminate two different categories of flickering artifacts. If neither of these presets is quite as effective as you'd hoped, a third option, 'advanced controls', opens up the 'temporal NR' controls at the heart of this plugin to let you tailor it further to your needs.

Temporal NR

Hidden by default, these controls only appear when you set 'deflicker setting' to 'advanced controls', and let you choose how to detect motion in the scene so that flickering may be correctly addressed relative to the motion of subjects and items within the frame where it appears.

Frames Either Side

Specifies the number of frames to analyze to determine what's in motion. Higher values are not always better; the best setting is, again, scene dependent. The default is 3.

Mo.Est. Type

Picks the method DaVinci Resolve uses to analyze the image to detect motion. Despite the names of the available options, which options will work best is highly scene dependent. 'Faster' is less processor intensive, but less accurate, however this can be an advantage and actually do a better job with high detail images that would confuse the 'better' option. Choosing 'better' is more accurate, but more processor intensive, and 'better' will try harder to match fine details which can sometimes cause problems. None lets you disable motion analysis altogether, which can work well and is considerably faster in situations where there's no motion in the scene at all. The default is 'better'.

Motion Range

Three settings, 'small', 'medium', and 'large', let you choose the speed of the motion in the frame that should be detected.

Luma Threshold

Determines the threshold above which changes in luma will not be considered flicker. The range is 0–100, 0 deflickers nothing, 100 applies deflickering to everything. The default is 100.

Chroma Threshold

Determines the threshold above which changes in chroma will not be considered flicker. The range is 0–100, 0 deflickers nothing, 100 applies deflickering to everything. The default is 100.

Gang Luma Chroma

Lets you choose whether to gang the luma and chroma threshold sliders or not.

Motion Threshold

Defines the threshold above which motion will not be considered flicker.

Speed Optimization Options

Closed by default, opening this control group reveals two controls:

Reduced-Detail Motion Checkbox

On by default, reduces the amount of detail that's analyzed to detect flicker. In many cases, this setting makes no visible difference but increases processing speed. Disable this setting if your clip has fine detail that is being smoothed too aggressively.

Limit Analysis Area Checkbox

Turning this on reveals controls over a sample box that you can use to limit deflickering to a specific region of the image. This option is useful when only one part of the image is flickering, so focusing on just that area speeds the operation considerably, or when part of the image is being smoothed too much by deflickering that's fixing another part of the image very well.

Restore Original Detail After Deflicker

Closed by default, opening this control group reveals two controls:

Detail to Restore Slider

Lets you quickly isolate grain, fine detail, and sharp edges that should not be affected by the deflicker operation, preserving those fine details exactly.

Show Detail Restored Checkbox

Turning this checkbox on lets you see the edges that are detected and used by the 'detail to restore' slider, to help you tune this operation.

Output

The Output menu lets you choose what deflicker outputs, with options to help you troubleshoot problem clips. Here are the available options:

Deflickered Result

The final, repaired result. This is the default setting.

Detected Flicker

This option shows you a mask that highlights the parts of the image that are being detected as having flickering, to help you evaluate whether the correct parts of the image are being targeted. This mask can be very subtle, however.

Magnified Flicker

This options shows you an exaggerated version of the detected flicker mask, to make it easier to see what the deflicker plugin is doing.

Dust Buster

This plugin is also designed to eliminate dust, dirt, and other imperfections and artifacts from clips, but it does so only with user guidance, for clips where the Automatic Dirt Removal plugin yields unsatisfactory results. This guidance consists of moving through the clip frame-by-frame and drawing boxes around imperfections you want to eliminate. Once you've drawn a box, the offending imperfection is auto-magically eliminated in the most seamless way possible. This works well for dirt and dust, but it also works for really big stains and blotches, as seen below.



Drawing a box around the dirt in the original image on the left and the dust buster plugin applied to the image on the right

The process of removing dust and dirt is similar to fixing a hot pixel, however the Dust Buster effect is designed to repair transient bits of dust and dirt that only last for a frame or two, whereas fixes to hot pixels remain in place for the duration of the clip.

General

These top level controls let you choose how to draw patches with which to repair temporally unstable dust and dirt in the frame, whether or not to show their on-screen controls, and how.

Navigation Controls

Four buttons let you jump to frames on which you've drawn patches. There are four buttons:

First Modified Frame

Jumps the playhead to the first frame of that clip with a patch.

Previous Modified Frame

Jumps the playhead to the previous frame with a patch.

Next Modified Frame

Jumps the playhead to the next frame forward with a patch.

Last Modified Frame

Jumps the playhead forward to the last frame with a patch.

Patch Style

There are three different kinds of patches you can draw to deal with different kinds of blemishes in the frame.

Draw Rect

Click and drag to place a rectangular patch of any size from one corner to the opposite corner. Once drawn, you can click on any edge of the overlay and drag to reposition it.

Draw Ellipse

Click and drag to place an elliptical patch of any size from one corner to the opposite corner. Once drawn, you can click on any edge of the overlay and drag to reposition it.

Place Patch

Lets you place small patches specifically for tiny details such as hot pixels. When you choose this option, a 'new patch size' slider appears that lets you adjust the size of the patches you're about to place prior to placing them. Once drawn, you can click on the edge of any patch and drag to reposition it.

Size when Place Patch is Selected

Lets you choose how large of a patch to place using the Place Patch tool.

Show Patches

This checkbox lets you show or hide the onscreen outline of every patch in the Viewer.

Hide During Interaction

Hides the onscreen outline of every patch in the viewer while you're moving a patch; this makes it easier to see the effect of moving the patch on the image, without the outline getting in the way.

Patch Type

There are six methods you can use to attempt to fix the contents of a selected patch. When drawing new patches, the currently selected patch type will determine what the next patch will be. When you've selected an existing patch, changing the patch type will change how that patch works.

Auto

The default method. Once you've drawn a bounding box, the two frames prior to and the two frames after the current clip will be analyzed and compared to the current image. The best of these five frames will be sampled to remove the imperfection in the current frame. Images two frames away are prioritized since that will avoid the appearance of frozen grain, but only if they're a suitable match to the content of the current frame.

+/- 1 Frame

In this mode, if you draw a bounding box from left to right, the next frame will be drawn upon to remove the imperfection. If you draw a bounding box from right to left, the previous frame will be used.

+/- 2 Frames

If you draw a bounding box from left to right, the image two frames forward will be drawn upon to remove the imperfection. If you draw a bounding box from right to left, the image two frames back will be used.

Spatial

Automatically fills the interior of the selected patch with pixels drawn from the surroundings of the patch, using the fill method. This works well for small blemishes, but for large blemishes a pattern might be discernible, which gives away the effect.

Clone

Clone mode copies part of the image to fill a shape or patch placed over the thing you want to remove. In this mode, clicking and dragging to place a rect or ellipse over an imperfection is followed by a second click to place the sample region you want to clone. Clicking once to place a patch will be followed by a second click to place the sample region. Selecting an existing shape or patch and choosing 'clone' lets you click on the shape to position the clone region. The sample region is indicated by a dotted shape that's connected to the original shape.

Blend Clone

Operates similarly to clone mode, except the copied part of the image that fills the rect, ellipse, or patch is blended with the image to integrate it more softly.

Fill Method

When using the spatial patch type, the fill method determines how the blemish in the image is repaired.

Grid

Samples the pixels surrounding the rect, ellipse, or patch, and blurs them inward both horizontally and vertically. Extremely effective for tiny blemishes. For larger blemishes, a grid-like pattern may emerge.

Horizontal

Samples the pixels to the left and right of the rect, ellipse, or patch, and blurs them inward.

Vertical

Samples the pixels to the top and bottom of the rect, ellipse, or patch, and blurs them inward.

Patchy

Samples pixels from all around the rect, ellipse, or patch, and expands and blurs them together to create a soft, non-uniform region with which to repair the blemish. Doesn't have the patterning of the grid methods of fill, but produces an extremely smooth result.

Smooth

Simply uses a gaussian blur to repair the blemish.

Patch Options

These options let you customize the effect of a patch filling over a blemish.

Mute

Lets you turn a particular patch on or off via keyframing. Useful for blemishes that only show up for a few pixels of a shot.

Variability for Spatial Patches

Raising this parameter lets you make the fill method less uniform.

Soft Edges

Lets you soften the edges of the patch.

Size Adjust

Lets you change the size of a patch after its creation.

Advanced Controls

These controls let you customize the UI of this effect.

Clone Sticks to Mouse

When enabled, drawing or placing a rect, ellipse, or patch in clone or blend clone mode immediately switches to positioning the sample region, making it faster to use.

New Patches Stay Selected

When enabled, patches stay selected after you draw them, in preparation for further customization.

UI Line Thickness

Lets you choose how thick the on-screen outlines should be.

Output Mode

This lets you see different representations of the patched effect you're creating. There are four options.

Patched Result

The final result, with each patch repairing the blemish it's covering.

Patch Locations

Shows a key where each placed patch is white against black.

Differences

Shows the difference of each patch against the original image.

Difference Magnitude

Shows a more pronounced differences representation.

Noise Reduction

Based on the noise reduction controls in the 'color' page, Resolve FX noise reduction has two types of GPU-accelerated noise reduction designed to subdue noise in problematic clips. Both methods of noise reduction can be used separately or together, in varying amounts depending on the needs of the particular material you're working on.

Temporal NR Controls

The temporal NR controls analyze images across multiple frames to isolate noise from detail. Motion estimation settings let you exclude moving subjects from this operation to prevent unwanted motion artifacts.

Frames Either Side

The number of frames on either side of the current frame that you want averaged to separate detail from the noise. You can choose between 0 and 5 frames. 0 applies no frame averaging; higher values apply more frame averaging, at the expense of being significantly more computationally intensive. A higher frame setting may yield a better analysis, but may also yield unwanted artifacts if there are fast-moving images in the frame. A value of 1 may yield better results for fast-moving images. If you need to use higher frame values, but see artifacts, you can also try adjusting the motion threshold to fix the issue.

Motion Est. Type

Picks the method DaVinci Resolve uses to detect motion in the image. The default, 'faster', is less processor intensive, but less accurate. Choosing 'better' can effectively exclude motion more accurately, but is more processor intensive. None lets you disable motion estimation altogether, resulting in the application of temporal NR to the entire image.

Motion Range

Three settings, 'small', 'medium', and 'large', let you set the speed of motion that motion estimation should expect to exclude. A 'small' setting assumes slow-moving subjects with little or no motion blur, allowing temporal NR to affect more of the image at a given motion threshold setting. A 'large' setting assumes fast motion with blur occupying a larger area of the image, which excludes more of the image from temporal NR at the same motion threshold setting. Choose the setting that gives you the best compromise between reducing noise and the introduction of motion artifacts when adjusting the motion threshold parameter.

Temporal Threshold Controls

The temporal threshold parameters allow you to control which image characteristics get more or less noise reduction.

Luma Threshold

Lets you determine how much or how little temporal NR to apply to the luma component of the image. The range is 0–100, where 0 applies no noise reduction at all, and 100 is the maximum amount. Too high a setting may eliminate fine detail from the image.

Chroma Threshold:

Determines how much temporal NR is applied to the chroma component of the image. The range is 0–100, where 0 applies no noise reduction at all, and 100 is the maximum amount. Too high a setting may eliminate fine color detail from the image. However, you may find you can raise the chroma threshold higher than the luma threshold with less noticeable artifacting.

Gang Luma Chroma

Ordinarily, the luma and chroma threshold parameters are ganged together so that adjusting one adjusts both. However, disabling this checkbox ungangs these parameters, allowing you to adjust different noise reduction amounts to each component of the image, depending on where the noise happens to be worst.

Motion

Defines the threshold separating which moving pixels are in motion versus which moving pixels are static. Moving pixels in motion are above the threshold and moving pixels which are static are below the threshold. Using motion estimation, temporal NR is not applied to regions of the image that fall above this threshold, to prevent motion artifacts by not applying frame-averaging to parts of the image that are in motion. Lower values omit more of the image from temporal NR by considering more subtle movements. Higher values apply temporal NR to more of the image by requiring faster motion for exclusion. You can choose between 0 and 100, where 0 applies temporal NR to no pixels, and 100 applies temporal NR to all pixels. The default value is 50, which is a suitable compromise for many clips. Be aware that if you set too high a motion threshold, you may see artifacts in moving parts of the image.

Blend

Lets you dissolve between the image as it's being affected by the temporal NR parameters at 0.0 and the image with no noise reduction at 100.0. This parameter lets you easily split the difference when using aggressive temporal noise reduction.

Spatial NR Controls

The spatial NR controls let you smooth out regions of high-frequency noise throughout the image, while attempting to avoid softening by preserving detail. It's effective for reducing noise that temporal NR can't.

Mode

The 'mode' menu lets you switch spatial NR between three different algorithms. All three modes of operation use the same controls, so you can switch between modes using the same settings to compare your results.

Faster

Uses a computationally lightweight method of noise reduction that's good at lower settings, but may produce artifacts when applied at higher values.

Better

Switches the spatial NR controls to use a higher quality algorithm that produces greatly superior results to Faster, at the expense of being more processor intensive to render and not allowing you to decouple the luma and chroma threshold sliders for individual adjustments to each color component.

Enhanced

Does a significantly better job preserving image sharpness and detail when raising the spatial threshold sliders to eliminate noise. This improvement is particularly apparent when the spatial threshold sliders are raised to high values, what constitutes 'high' will vary

depending on the image you are working on. At lower values, the improvement may be more subtle when compared to the 'better' mode, which is less processor intensive than the computationally expensive 'enhanced' setting. Additionally, 'enhanced' lets you decouple the luma and chroma threshold sliders so you can add different noise reduction amounts to each color component, as the image requires.

Radius

Options include 'large', 'medium', and 'small'. A smaller radius offers greater real-time performance and can provide good quality when using low luma and chroma threshold values. However, you may see more aliasing in regions of detail when using low NR threshold values.

Setting 'radius' to be progressively larger results in higher quality within areas of greater visual detail at high luma and chroma threshold values, at the expense of slower performance. An NR radius of 'medium' should provide suitable quality for most images when using medium NR threshold settings. As with many operations, there's an adjustable tradeoff between quality and speed.

Spatial Threshold Controls

The spatial threshold parameters allow you to control which image characteristics get more or less noise reduction.

Luma

Lets you determine how much or how little noise reduction to apply to the luma component of the image. The range is 0–100, where 0 applies no noise reduction at all, and 100 is the maximum amount. Too high a setting may eliminate fine detail from the image.

Chroma

Lets you determine how much or how little noise reduction to apply to the chroma component of the image by smoothing out regions of high-frequency noise while attempting to preserve the sharpness of significant edge details. The range is 0–100, where 0 applies no noise reduction at all, and 100 is the maximum amount. Too high a setting may eliminate fine color detail from the image. However, you may find you can raise the chroma threshold higher than the luma threshold with less noticeable artifacting.

Gang Luma Chroma

Ordinarily, the luma and chroma threshold parameters are ganged together so that adjusting one adjusts both. However, you can ungang these parameters to adjust different amounts of noise reduction to each component of the image. For example, if an image softens too much at a certain level of noise reduction, but you find more color speckling than luma noise, you can lower the luma threshold to preserve detail while raising the chroma threshold to eliminate color noise.

Blend

Lets you dissolve between the image as it's being affected by the spatial NR parameters at 0.0 and the image with no noise reduction at 100.0. This parameter lets you easily split the difference when using aggressive spatial noise reduction.

Global Blend

Blend

Lets you dissolve between the image with no noise reduction at 1.0 and the image with both spatial NR and temporal NR at their current settings at 0.0.

Using Noise Reduction

The following procedure suggests a method of using the NR noise reduction parameters to achieve a controlled result.

Applying noise reduction to an image:

- 1 Enable temporal NR by choosing 1 to 5 frames from the 'number of frames' menu. Keep in mind that more frames dramatically increase the render time of this effect, while it may or may not significantly improve the result, depending on your material.
- 2 Choose options from the 'motion est. type' and 'motion range' menus corresponding to how much motion is in the image. If there's a lot of motion, you may need to choose 'better' and 'large'. If there's not very much motion, lesser settings may suffice.
- 3 With luma and chroma threshold linked, slowly raise either parameter until you just start to see a reduction in noise within nonmoving areas. Then make smaller adjustments to determine the maximum amount you can add without creating artifacts or overly softening detail.
- 4 If there's obviously more chroma than luma noise in the image, you can disable luma and chroma linking at a satisfactory level of luma noise reduction, and then raise the chroma threshold to address color speckling in the picture.
- 5 Suppose you're not satisfied with the tradeoff between the maximum possible threshold of noise reduction and the prevention of motion artifacts. In that case, you may want to adjust the motion threshold setting, lowering it to omit more of the motion from the noise reduction operation, or raising it to include more motion. If you're still not satisfied, you can also try better 'motion est. type' and 'motion range' settings.

Keep in mind that the strength of temporal NR is to reduce noise in unmoving parts of the image. When you've achieved the best tradeoff between noise reduction in the still areas and avoidance of motion artifacts in the moving areas of the image, it's time to turn to spatial NR to further eliminate noise throughout the rest of the picture.

- 6 Enable spatial NR by raising either the luma or chroma threshold parameters, which are linked by default, until you strike a suitable balance between the reduction of noise and an unwanted increase in image softness.
- 7 It's recommended to choose the Enhanced option from the spatial NR mode pop-up, as it will yield the best possible results. However, this can be processor-intensive, so if you need better real-time performance, you can switch the mode to Faster and compare results.
- 8 If there's obviously more chroma than luma noise in the image, you can disable luma and chroma linking at a satisfactory level of luma noise reduction, and then raise the chroma threshold to apply more aggressive spatial NR to address color speckling in the picture.
- 9 If you've had to use a high spatial NR luma or chroma threshold setting to reduce noise visibly, and areas of detail look a bit chunky or aliased, you can choose a larger setting from the 'radius' menu to enable a more detailed analysis of the scene.

This will result in higher visual quality, but larger NR radius settings are more processor-intensive and may reduce real-time performance if you don't have adequate GPU resources available to your system.

- 10 If you've found suitable noise reduction settings, but the result is too aggressive and makes the image appear too processed, you can try raising the spatial NR and/or temporal NR blend parameters to fade between the noise reduction added by each set of controls, and the image as it was before you added noise reduction.

Try Applying Temporal NR First, then Applying Spatial NR

Because temporal NR analyzes multiple frames for its noise isolation, it tends to be better at preserving detail accurately in regions of the image where there's little motion. If you try applying temporal NR first and get a successful result, even if only in part of the image, you may reduce how much spatial NR you have to apply, thus improving the overall quality of your final result.

Keep in mind that while temporal NR does a great job in unmoving parts of an image but is less effective when dealing with subjects in motion, spatial NR can reduce noise everywhere in the frame falling below its threshold, even when there's motion. Ultimately, a combination of the two is almost always going to be a winning combination.

Spatial NR Radius, How Large Should You Go?

Larger NR radius settings can dramatically improve the quality of high-detail regions in shots where you're using aggressive spatial noise reduction, but it's not necessary to always jump to the large radius setting, which provides the highest precision. In many cases, when evaluating an image that you're applying noise reduction to, you may not be able to perceive the additional quality. You'll waste processing time on an unnecessary level of correction.

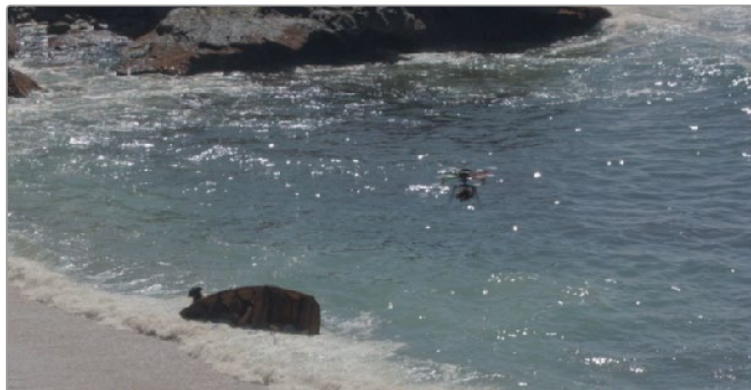
It's a good idea to evaluate the full-frame image on a large enough display to see the noise you're working on within the viewing context of the intended audience. Zooming really far into a clip while applying noise reduction may encourage you to use higher quality settings than are necessary because an excessively enlarged detail of an image lets you see subtle changes that you wouldn't notice at actual size.

Object Removal

The object removal plugin is best used in the 'color' page, and uses the DaVinci Neural Engine to attempt to remove an object in the frame as automatically as possible. This plugin works best when removing a moving object that passes over a temporally stable background, or dirt on the lens of a shot where the camera is in motion. Smaller objects get better results than larger objects, but your results really depend on the footage. Here's a simple procedure that shows how to do this.

To remove a moving object from a clip:

- 1 In this example, a drone is flying through a long shot that's being simultaneously recorded. We'll remove the drone using a window to identify the feature to be removed using the object removal plugin.



The original shot with a drone that needs to be removed

In simple cases, it's often easiest to apply the object removal effect to a corrector node, so you can use a window or qualifier within that node to isolate the feature you want to remove. That's what we'll do in this example.

- 2 Use the Window palette to draw a window around the object that needs to be removed. You'll get the best results using windows or masks that hug the feature being removed fairly closely.
- 3 Track or keyframe the window to move with the feature you're removing. Again, you'll get better results the closer your window hugs the object being removed, and it's good to have some softness at the edge of this window.



The object that needs to be removed is isolated with a window

- 4 Drag and drop the object removal plugin onto the node in which you've just isolated the feature to be removed.

- 5 The 'use OFX alpha' option will be activated automatically in the node's contextual menu to enable the object removal plugin to use whatever key has been created within that node to do its work.
- 6 Click the 'scene analysis' button, and wait for the analysis to finish. If the object you're removing is moving but the camera is locked, you can turn on the 'assume no motion' checkbox to improve your results in this case.

If your footage is ideal for object removal, the object will disappear once analysis is complete, replaced by a seamless background derived from detail found on neighboring frames.

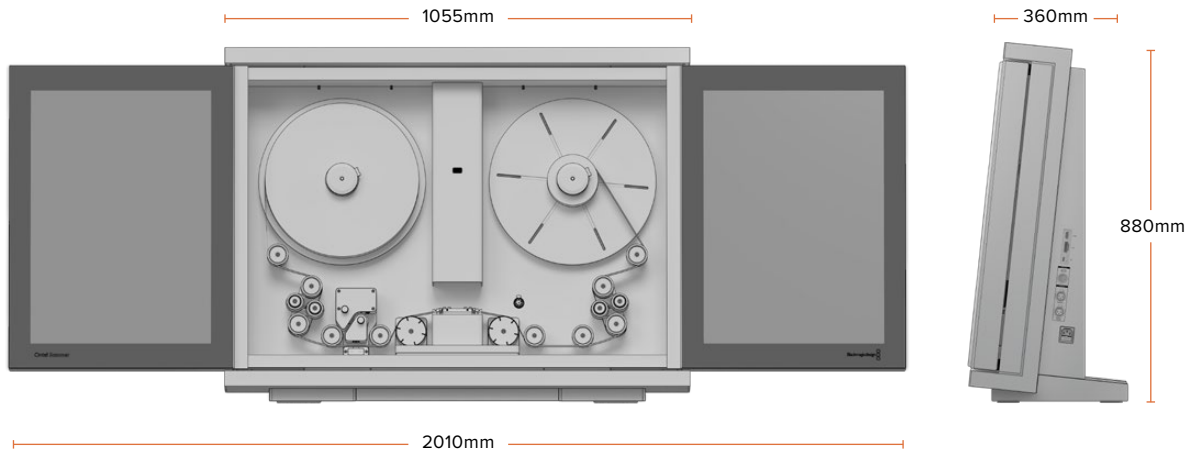


The result after object removal analysis is complete

The object removal plugin is highly footage dependent, and you won't always get this good a result this easily. Problems with the result are shown via gray, either gray fringing or solid gray filling the replacement window. Gray shows you where the current settings are failing to find background content with which to fill in the patch you're removing. If this happens, there are two things you can try.

- If you notice while playing through the analyzed result that the object removal mask has gray fringing on some frames, you can try adjusting the 'search range' slider, which is the distance, in frames, from the current frame that the object removal plugin is searching for replacement image detail. For example, if the search range is 20, it searches +/-20 frames from the current location, or 40 frames total. The allowance of 10 frames means we look at every 4th frame. You will generally get the best results for the smallest range that gives an acceptable result.
- If you're noticing that the object removal mask is filled entirely with gray on some frames, this means that background fill couldn't be easily generated for those frames. In this case, you can try clicking the 'build clean plate' button, which takes a 'best guess' approach to generating a background with which to fill the frame and integrates this with frames that could be successfully filled in.
- If the patch is successfully filled, but the result isn't blending well with the background, you can try changing the blend mode. The default is 'linear', which is a simple cloning operation, but you can also choose 'adaptive blend', which can provide better results except in certain situations where the edges of the replacement patch have a different color or brightness than the background.
- The 'scene mode' menu provides different methods of analyzing the scene, for improving the analysis of how the area that needs to be replaced moves, to best determine how to fill the hole left by the object being removed. Background analyzes the entire image except for the object region. Boundary analyzes the boundary area surrounding the object region. Object is for analyzing an object that moves with the background, like a sticker that's on a window while the camera moves.

Specifications



Weight: 60 kg (132 lb) unloaded. Dimensions wall mounted: Height - 785mm, Depth - 265mm.

Scanner Features

Film Stocks

- Print, Negative, Interpositive, Internegative.
- Mono and Colour.

Film Gauges

- 35mm: 2, 3, 4 perforations
- Super 35mm: 2, 3, 4 perforations
- 16mm
- Super 16mm
- 8mm
- Super 8mm

Native Resolution

4096 x 3072

Effective Resolutions¹

- 3840 x 2880 - Super 35
- 3390 x 2465 - Standard 35
- 3390 x 2865 - Anamorphic 35
- 1903 x 1143 - Super 16
- 1581 x 1154 - Standard 16
- 892 x 638 - Super 8
- 752 x 567 - Standard 8

Audio

Extraction from scanned image.

HDMI Formats

3840 x 2160 Ultra HD or 1920 x 1080 HD, auto selected to match monitor resolution.

Dirt and Scratch Reduction

- Diffuse light source
- Cleaning Rollers

Mounting Options

- Desk Mount
- Wall mount

Dynamic Range

- Normal Scans: 12 stops
- HDR Scans: up to additional 3.5 stops

Transport Features

Continuous Motion

Run speed

1 - 30 fps

Shuttle

1 - 100 fps (35mm)

1 - 200 fps (16mm)

Film Shrinkage Tolerance

Up to 2% guaranteed, more may be possible if user care is taken.

Acceleration

5 - 30 fps/s

Capacity

2000ft (35mm)

Connections

HDMI Video Output

1 x HDMI 1.4 10-bit 4:2:2
for preview purposes only.

Options Interface

XLR6

Computer Interface²

- Thunderbolt™ 3 for capture
of image and audio, software
updates and supports USB-C
charging with 15W at 5V.

- PCI Express 4 lane
generation 2.

¹ Resolution of the cropped image only area.

² Cintel Scanner has a Thunderbolt 2 port only.

³ Cintel Scanner 2 or later.

Bi-phase/Timecode Output³

- Bi-phase 4.5 Volt DC Coupled
- Timecode 1.5 Volt DC Coupled

- Timecode support for 24,
25 and 30 fps

Analog Audio Inputs

2 Channels of professional
balanced analog audio with
sample rate converter via XLR
connectors with 10dBV levels.

AES/EBU Audio Input

2 Channels with sample rate
converter on XLR connector.

Power Requirements

Voltage Range

90 - 240V AC

Power

200W

Fuse

T5AL' 20mm

Ideal Film Conditions

Operating Temperature

18 - 28°C

Relative Humidity

Maximum 65% non-condensing.

Operating Systems

Mac, Windows and Linux

Accessories

- Cintel Audio and
KeyKode Reader

- Cintel Scanner
16mm Gate HDR

- Cintel Scanner
8mm Gate HDR

- Cintel Scanner
35mm Gate HDR

- Cintel Cleaning Roller Kit

- Blackmagic PCI
Express Cable Kit

Audio and KeyCode Reader

Equalisation

Optical audio SMPTE,
Magnetic audio IEC

Supported KeyCode Scan Speeds

All scanner speeds

LED Type

Optical audio and
KeyCode Deep RED

Supported Audio Scan Speeds

6fps-125% chosen film rate

i.e. 24fps film frame rate has a 30fps maximum scan speed, and 16mm film has a 12fps lower limit.

Supported Optical Audio Types

- Variable Area
- Variable Density

Audio Sampling Rate and Bit Depth

48kHz 24 bit PCM WAV file

Optical Audio 35mm

Bandwidth

40Hz-16kHz +-2dB

SnR Signal to Noise Ratio⁴

Transparent film base -65dB

Wow and Flutter⁵

< 0.15%

Optical Audio 16mm

Bandwidth

40Hz-7kHz +-2dB

SnR Signal to Noise Ratio⁴

Transparent film base -65dB

Wow and Flutter⁵

< 0.3%

16mm Single Perforation Mag Stripe

Engagement Pressure

15 grams

Bandwidth⁶

32Hz-14kHz +-2dB

SnR Signal to Noise Ratio⁴

-55dB

Wow and Flutter⁵

< 0.3%

Full Modulation Level

-18dBFS

Headphones Level⁷

-18dBu at 50Ω load

Audio Connection

XLR6

Computer Interface

USB-C for software updates

Power Consumption

10W at 12V DC

Dimensions

Height: 156mm

Width: 92mm

Depth: 106mm

Weight: 1.35kg

⁴ SnR Signal to Noise Ratio is measured with flat weighting

⁵ Wow and Flutter is measured with IEC 386 weighting

⁶ Theoretically the magnetic audio bandwidth is 20-20kHz by design, but no test material is available to quantify it.

⁷ The headphone output is intended for preview purposes only.

Regulatory Notices



Disposal of waste of electrical and electronic equipment within the European union.

The symbol on the product indicates that this equipment must not be disposed of with other waste materials. In order to dispose of your waste equipment, it must be handed over to a designated collection point for recycling. The separate collection and recycling of your waste equipment at the time of disposal will help conserve natural resources and ensure that it is recycled in a manner that protects human health and the environment. For more information about where you can drop off your waste equipment for recycling, please contact your local city recycling office or the dealer from whom you purchased the product.



This equipment has been tested and found to comply with the limits for a Class A digital device, pursuant to Part 15 of the FCC rules. These limits are designed to provide reasonable protection against harmful interference when the equipment is operated in a commercial environment. This equipment generates, uses, and can radiate radio frequency energy and, if not installed and used in accordance with the instructions, may cause harmful interference to radio communications. Operation of this product in a residential area is likely to cause harmful interference, in which case the user will be required to correct the interference at personal expense.

Operation is subject to the following two conditions:

- 1 This device may not cause harmful interference.
- 2 This device must accept any interference received, including interference that may cause undesired operation.



R- REM-BMD-201805001



ISED Canada Statement

This device complies with Canadian standards for Class A digital apparatus.

Any modifications or use of this product outside its intended use could void compliance to these standards.

Connection to HDMI interfaces must be made with high quality shielded HDMI cables.

This equipment has been tested for compliance with the intended use in a commercial environment. If the equipment is used in a domestic environment, it may cause radio interference.

Safety Information

For protection against electric shock, the equipment must be connected to a mains socket outlet with a protective earth connection. In case of doubt contact a qualified electrician.

To reduce the risk of electric shock, do not expose this equipment to dripping or splashing.

Product is suitable for use in tropical locations with an ambient temperature of up to 40°C.

Note, however, that ideal film conditions are between 18 and 28 degrees Celsius.

Ensure that adequate ventilation is provided around the product and that it is not restricted.

No operator serviceable parts inside product. Refer servicing to your local Blackmagic Design service center.



Use only at altitudes not more than 2000m above sea level.



WARNING

The Cintel Scanner weighs up to 70kg / 155 pounds when loaded with film. This is significantly heavier than a large screen television. If you are unsure of the structural capability of the wall or desk to support the total weight of the scanner and film loaded then you must obtain the advise of a qualified engineer to correctly analyze the mounting to ensure safety. Incorrect installation will result in the scanner falling which could cause serious injury or death.

Desk Mounting

When desk mounting the scanner, and especially when working underneath your scanner to install the desk mounting screws, ensure that your work surface is flat and stable. Mounting brackets and fixings must be of sufficient strength to securely support the scanner's weight. If your work surface is incapable of supporting the scanner's weight, or loses strength over time, your scanner may fall, possibly causing serious personal injury.

Wall Mounting

When wall mounting the scanner, ensure that the installation location is strong enough to support long term use. If its strength becomes insufficient over the course of long term use, the scanner may drop, possibly causing injury. Do not install in places which are unable to bear loads. Mounting brackets and fixings must be of sufficient strength to securely support the scanner's weight. If the strength of the installation surface is insufficient, the scanner may fall down and personal injury may result.

Desk or wall mounting your scanner **MUST** be undertaken by more than one person. Do not attempt installation on your own.

Operation

User interaction is required to operate the scanner, and the film loading process is inherently hands on. It is important to be aware that moving parts can be hazardous. Be sure to keep fingers and other body parts clear of the scanner when film is scanning.

State of California statement

This product can expose you to chemicals such as trace amounts of polybrominated biphenyls within plastic parts, which is known to the state of California to cause cancer and birth defects or other reproductive harm.

For more information go to www.P65Warnings.ca.gov.

Warning for Authorized Service Personnel

Disconnect power from both power inlets before servicing!

Help

The fastest way to obtain help is to go to the Blackmagic Design online support pages and check the latest support material available for your Cintel scanner.

Blackmagic Design Online Support Pages

The latest manual, software and support notes can be found at the Blackmagic Design support center at www.blackmagicdesign.com/support.

Blackmagic Design Forum

The Blackmagic Design forum on our website is a helpful resource you can visit for more information and creative ideas. This can also be a faster way of getting help as there may already be answers you can find from other experienced users and Blackmagic Design staff which will keep you moving forward. You can visit the forum at <https://forum.blackmagicdesign.com>

Contacting Blackmagic Design Support

If you can't find the help you need in our support material or on the forum, please use the "Send us an email" button on the support page to email a support request. Alternatively, click on the "Find your local support team" button on the support page and call your nearest Blackmagic Design support office.

Checking the Software Version Currently Installed

To check which version of DaVinci Resolve is installed on your Mac, Windows, or Linux computer, open DaVinci Resolve. Under the 'DaVinci Resolve' menu, click on the 'About DaVinci Resolve' menu heading to see software version number.

To check which version of the Cintel Scanner software is installed on your Mac, Windows, or Linux computer, open the Cintel Setup utility. Go to the 'about' tab to see the software version number.

How to Get the Latest Updates

After checking the versions of DaVinci Resolve and Cintel Scanner software installed on your computer, please visit the Blackmagic Design support center at www.blackmagicdesign.com/support to check for the latest updates. While it is advisable to run the latest updates, you should avoid updating software when in the middle of an important project.

Creating a Status Report

The Cintel Scanner software lets you create a status report that you can send to Blackmagic Support to help them diagnose and resolve problems. If you have an Audio and KeyCode Reader attached, you can generate a status report for it.

To create a status report, run the Cintel Setup utility, click on the settings icon and then go to the 'about' tab. In the 'device information' section, click 'create'. This makes an HTML file so you can easily read the status for both the Cintel Scanner and Audio and KeyCode Reader.

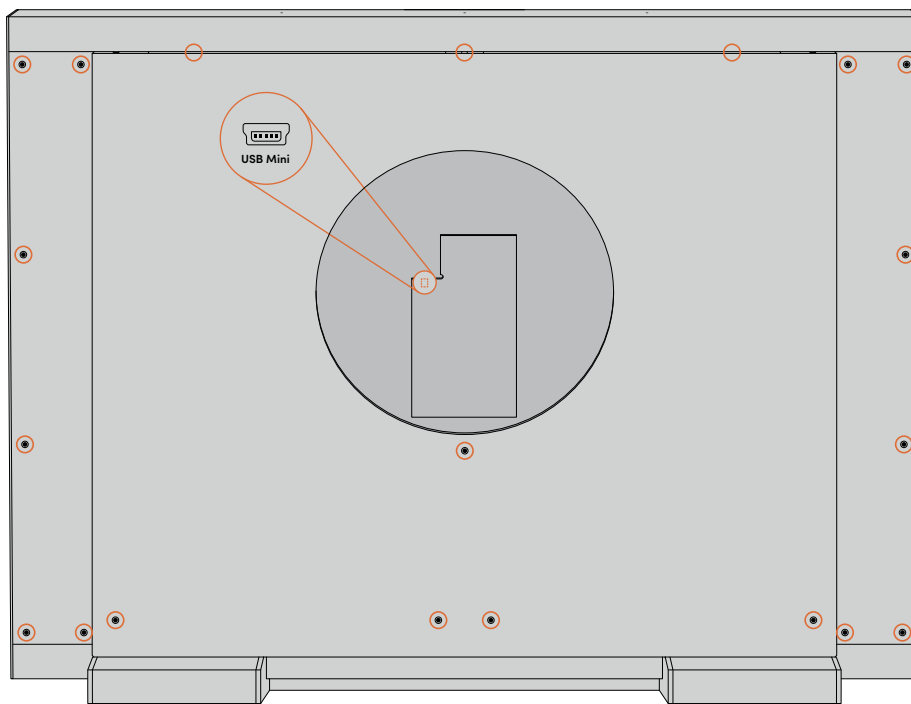
USB Recovery

In the unlikely event the update was interrupted, or you encountered an issue during the update process and your Cintel has become unresponsive, you can plug your computer into a dedicated USB port for USB recovery.

You can confirm that USB recovery is available by powering your Cintel and checking that the status LED near the Thunderbolt port is illuminated green. If the LED is illuminated red, you will need to contact Blackmagic Design support.

- 1 Remove the rear panel of your Blackmagic Cintel Scanner. The USB port for system recovery is in the centre near the top. It is on the side of the circuit board facing the front of the Cintel Scanner and is visible when you look at the top of the Cintel scanner.

NOTE If you don't have immediate access to the rear panel and need to move your scanner, make sure two people are moving the scanner and you have access to a strong platform as the scanner is heavy. For more information, refer to the 'Unpacking and Mounting' section of this manual.



Remove the rear panel to access the USB port for USB recovery

- 2 Connect your computer to the USB recovery port using a mini-B USB cable.

- 3 Download the latest version of the Cintel Scanner software from the Blackmagic Design website, install it on your computer and run it. The Cintel Setup utility will detect your computer is plugged into your Cintel Scanner's USB recovery port. Click 'update now'.



Cintel Scanner software will detect your computer is plugged into Cintel's USB recovery port

- 4 After the update recovery is complete, your Cintel Scanner should now be running the latest software and operating normally. You can check this by disconnecting the USB cable, connecting the thunderbolt cable, and then power cycling your scanner.
- 5 Replace the rear panel and reinstall your Cintel Scanner into position for normal operation. If you need further assistance, you can always visit the Blackmagic Design forum, or reach us via the Blackmagic Design support center.

Warranty

12 Month Limited Warranty

Blackmagic Design warrants that this product will be free from defects in materials and workmanship for a period of 12 months from the date of purchase. If a product proves to be defective during this warranty period, Blackmagic Design, at its option, either will repair the defective product without charge for parts and labor, or will provide a replacement in exchange for the defective product. In order to obtain service under this warranty, you the Customer, must notify Blackmagic Design of the defect before the expiration of the warranty period and make suitable arrangements for the performance of service. The Customer shall be responsible for packaging and shipping the defective product to a designated service center nominated by Blackmagic Design, with shipping charges pre paid. Customer shall be responsible for paying all shipping charges, insurance, duties, taxes, and any other charges for products returned to us for any reason.

This warranty shall not apply to any defect, failure or damage caused by improper use or improper or inadequate maintenance and care. Blackmagic Design shall not be obliged under this warranty: a) to repair damage resulting from attempts by personnel other than Blackmagic Design representatives to install, repair or service the product, b) to repair damage resulting from improper installation, use or connection to incompatible equipment, c) to repair any damage or malfunction caused by the use of non Blackmagic Design parts or supplies, or d) to service a product that has been modified or integrated with other products when the effect of such a modification or integration increases the time or difficulty of servicing the product.

THIS WARRANTY IS GIVEN BY BLACKMAGIC DESIGN IN LIEU OF ANY OTHER WARRANTIES, EXPRESS OR IMPLIED. BLACKMAGIC DESIGN AND ITS VENDORS DISCLAIM ANY IMPLIED WARRANTIES OF MERCHANTABILITY OR FITNESS FOR A PARTICULAR PURPOSE. BLACKMAGIC DESIGN'S RESPONSIBILITY TO REPAIR OR REPLACE DEFECTIVE PRODUCTS DURING THE WARRANTY PERIOD IS THE WHOLE AND EXCLUSIVE REMEDY PROVIDED TO THE CUSTOMER. BLACKMAGIC DESIGN WILL NOT BE LIABLE FOR ANY INDIRECT, SPECIAL, INCIDENTAL OR CONSEQUENTIAL DAMAGES IRRESPECTIVE OF WHETHER BLACKMAGIC DESIGN OR THE VENDOR HAS ADVANCE NOTICE OF THE POSSIBILITY OF SUCH DAMAGES. BLACKMAGIC DESIGN IS NOT LIABLE FOR ANY ILLEGAL USE OF EQUIPMENT BY CUSTOMER. BLACKMAGIC IS NOT LIABLE FOR ANY DAMAGES RESULTING FROM USE OF THIS PRODUCT. USER OPERATES THIS PRODUCT AT OWN RISK.

© Copyright 2024 Blackmagic Design. All rights reserved. 'Blackmagic Design', 'Cintel', 'DeckLink', 'DaVinci Resolve' are registered trademarks in the US and other countries. All other company and product names may be trademarks of the respective companies with which they are associated.

Cintel Scanner





ようこそ

このたびは新しいCintelスキャナーをお買い求めいただき誠にありがとうございます。

Cintelは、リアルタイムでフィルムをスキャンするので、動作と停止を頻繁に繰り返す従来のスキャナーと比較し、はるかに早く転送できます。しかし、Cintelはテレシネではありません。また、フィルムをビデオに変換するのではなく、Thunderbolt 3またはPCIe経由でフィルムをDaVinci Resolveに直接取り込むことをご理解いただくことが重要です。DaVinci Resolveでは、取り込んだフィルムを編集でつなぎ合わせ、カラーグレーディング、リフレーム、ノイズ除去、オーディオの抽出などができます。

DaVinci Resolveはハードウェアをはるかに上回るレベルの機能を多数搭載しているため、DaVinci Resolveを用いるCintel Scannerは、テレシネと比較すると一層クリエイティブなコントロールが可能です。加えて、CintelはDaVinci ResolveシステムとホストコンピューターのGPUまたはeGPUを使用するので、スキャナー自体にかさばる高額な電子部品を取り付ける必要はありません。

スキャンのワークフローはシンプルです。標準またはハイダイナミックレンジでフィルムを中間RAWファイルにスキャンし、タイムラインでフィルムをつなぎ合わせ、ノイズ除去やカラーグレーディングやリフレームを行った後、DaVinci Resolveのデリバページからお好きなフォーマットでファイルをレンダリングできます。

また、ワークフロー改善のためにアクセサリも作りました。オプションのAudio and KeyCode Readerは、光学または磁気オーディオをリアルタイムより早くスキャンでき、KeyCodeの情報をDaVinci Resolveのクリップに直接読み込みます。また、スキャナーをダウンストリームのオーディオシステムと同期させることも可能です。

CintelはDaVinci Resolveの機能を使用するので、DaVinci Resolveのマニュアルとチュートリアルも併せてご確認ください。また、ユーザーの方々が作ったDaVinci Resolveのチュートリアルビデオや、サードパーティによるトレーニングも活用していただくことで、DaVinci Resolveシステムの能力を最大限に引き出すことができます。

弊社ウェブサイトwww.blackmagicdesign.com/jpのサポートページでこのマニュアルの最新バージョンを確認し、Cintel Scannerの内部ソフトウェアをアップデートしてください。

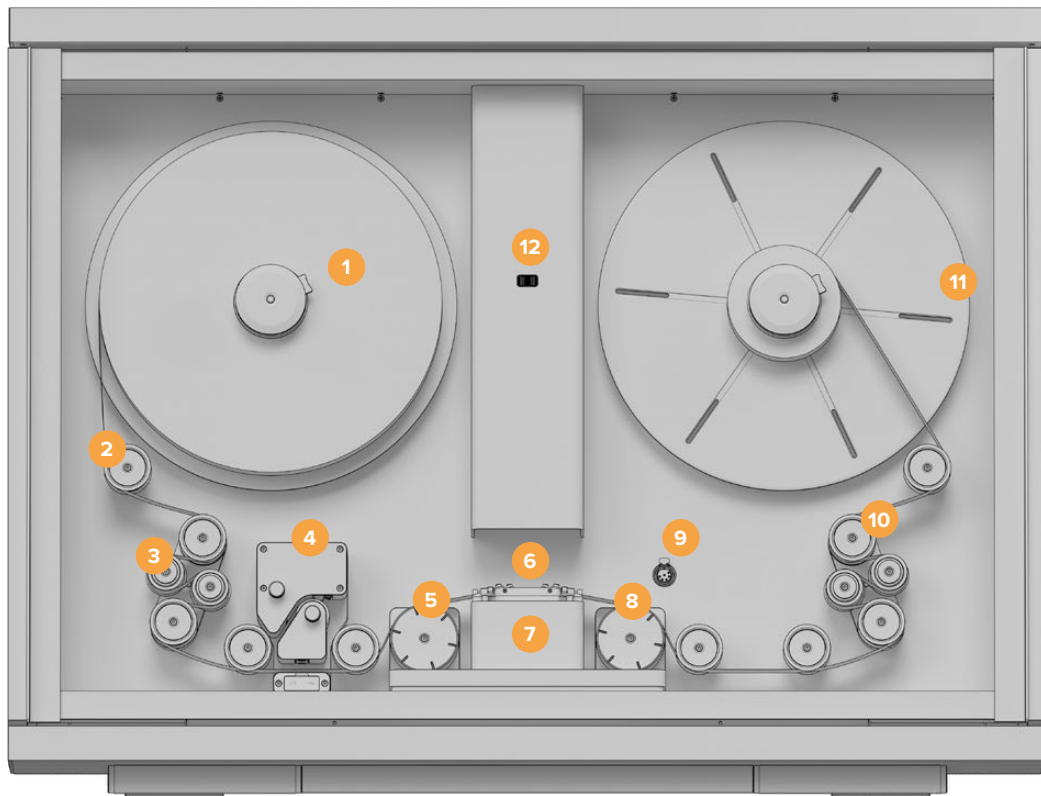
Blackmagic Design CEO

グラント・ペティ

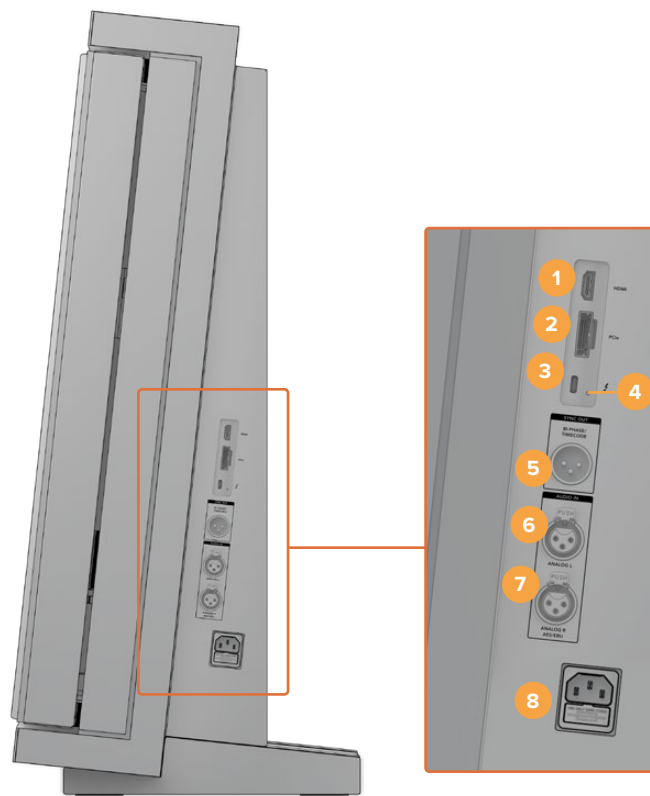
目次

開梱と設置	139	カラースペースとサイズ調整	177
デスクマウント	139	オプションのAudio and KeyCode Reader	179
ウォールマウント	140	Audio and KeyCode Readerの取り付け	180
スキャナーを安全に設置するための 注意事項	141	オーディオの読み込み	182
はじめに	142	オーディオのスキャン設定	183
ソフトウェアのインストール	142	KeyCodeの読み込み	189
電源の接続	142	KeyCodeのスキャン設定	189
コンピューターと接続	142	KeyCodeメタデータを含むDPXへの トランスコード	190
DaVinci Resolveの起動	143	メンテナンス	192
ファームウェアのアップデート	144	パーティクルトランスファー・ロー ラーの掃除	192
ソフトウェア開発キット	145	キャプスタンの掃除	192
HDRとは	145	ダスティング	193
駆動輪	146	Audio and KeyCode Readerの ローラーの掃除	193
フィルムのセット	146	Audio and KeyCode Readerの 磁気ヘッドの掃除	194
スキャナーの使用	150	磁気ヘッドの交換	195
巻き上げタイプ	150	磁気ヘッドPCBの交換	197
16mmフィルムのスキャン	151	磁気ヘッドのランタイムをリセットする	201
8mmフィルムのスキャン	153	ヘッドの位置の確認	201
8mmフィルムゲージ間での切り替え	154	DaVinci Resolveでクリップを扱う	206
フィルム経路テンションスクリュー	156	プロジェクトマネージャー	206
再生コントロール	157	カットページを使用した編集	207
スタンバイモード	158	クリップをタイムラインに追加	210
DaVinci Resolveを使用したキャプチャー	158	タイムラインでクリップをトリム	211
Cintel Scannerのインターフェース	158	オーディオトリムビュー	212
フィルムコントロール	159	タイトルの追加	212
光源の調整	162	Blackmagic RAWファイルの使用	213
スタビライズ	163	カラーページでクリップのカラー コレクションを行う	217
フィルムの保護	166	Power Windowを追加	220
キャプチャー情報およびメタデータの編集	166	プラグインの使用	222
フィルムスキャンワークフロー	168	エディットページでオーディオをミックス	222
スキャナーのカラー調整	172	Fairlightページ	223
単一/複数セクションのフィルムをスキャン	173	FusionページでVFXおよび合成を追加	228
オーディオの抽出	174		
オーディオ抽出設定	175		

Fusionを使い始める	230	パッチの種類	247
編集のマスタリング	236	パッチオプション	248
クイックエクスポート	236	アドバンスコントロール	248
デリバーページ	237	ノイズ除去	249
自動ダート除去	238	時間的ノイズ除去コントロール	249
メインコントロール	238	時間的しきい値コントロール	249
微調整	239	空間的ノイズ除去コントロール	250
ホットピクセルの修正	239	空間的しきい値コントロール	251
一般	240	全体のブレンド	251
パッチの種類	241	ノイズ除去の使用	252
パッチオプション	242	オブジェクト除去	254
アドバンスコントロール	242	仕様	256
フリッカー除去	243	規制に関する警告	259
メインパラメーター	243	安全情報	260
時間的ノイズ除去	243	ヘルプ	262
速度最適化オプション	244	最新のアップデートを入手する	262
フリッカー除去後に元のディテールを復元	244	ステータスレポートの作成	262
出力	245	USBリカバリー	263
ダストバスター	245	保証	265
一般	246		



1. コアクランプ 2. ローラー 3. パーティクルトランスファー・ローラー
 4. (オプション) 左オプションインターフェースに取り付けたAudio and KeyCode Reader
 5. テンショナー・ホイール 6. スキッドプレート 7. 光源 8. 駆動輪 9. ピンレジストレーション拡張ポート
 10. コンプライアンスアーム 11. スプーラーバックプレート 12. フォーカス・ホイール



1. HDMI 2. PCIe 3. Thunderbolt 3 4. 電源供給ステータス 5. 2相同期/タイムコード出力
 6. XLR3オーディオ入力1 7. XLR3オーディオ入力2 8. 電源接続

開梱と設置

Cintelスキャナーへようこそ!

スキャナーの使用を開始する前に、まず梱包から取り出し、安定した場所か壁にしっかりと取り付けます。デスクマウント時の安定性を向上させるために、取り付け用の穴がスキャナーの底部（脚の下）にあります。ウォールマウントのための取り付け用の穴がスキャナーのバックパネルにあるので、壁にしっかりと設置できます。

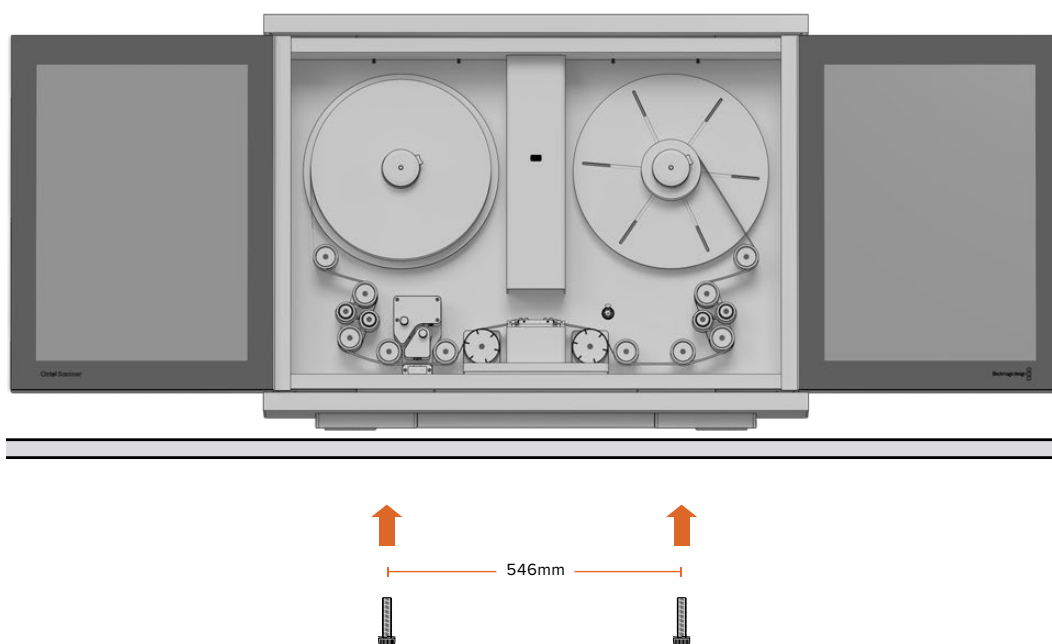
スキャナーのロードケースを開けると、スポンジに切り込みが入っているのでスキャナーがしっかりと掴めるようになっています。

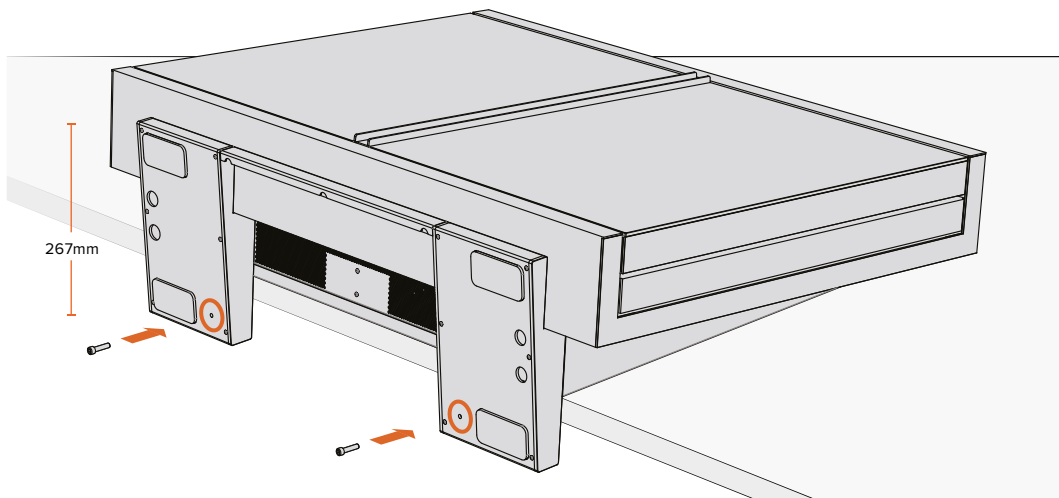
Cintelの重量は60kgなので、1人で開梱するには重すぎます。スキャナーを持ち上げる際には、必ず2人で、膝を曲げ、背中を真っ直ぐにした正しい姿勢で、注意深くゆっくりと持ち上げてください。

ロードケースから取り出したら、重量に持ちこたえられる安定した平面にスキャナーを直立に置きます。

デスクマウント

安定性を高めるために、スキャナーの脚にある取り付け用の穴を使用して、作業台に固定することもできます。これは、デスクなどの設置場所にドリルで穴を2つ開け、スキャナーの脚の下にある取り付け用の穴にM6安全ボルトを2個差し込み、スキャナーをねじ留めすることで行います。これにより、スキャナーが固定され、移動するのを防ぎます。





デスクマウントの場合、スキャナーの脚の下にある取り付け用の穴にM6安全ボルトを差し込み、スキャナーをねじ留めてスキャナーを固定

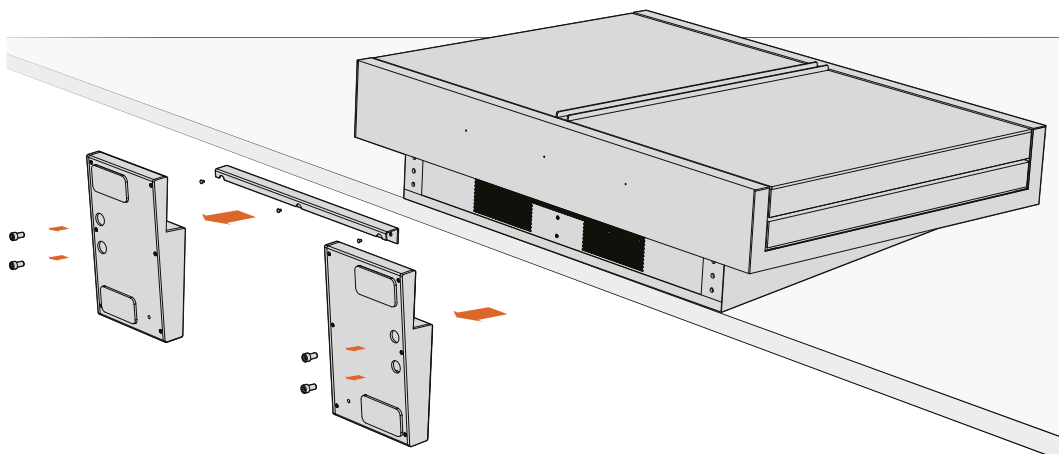
メモ 安全のために、Cintelスキャナーをマウントする前に必ず以下のページの注意事項をお読みください。

ウォールマウント

Cintelの美しい工業デザインと薄さはウォールマウントに最適です。

これには、まず脚とスキャナーの底の支柱を取り外します。

- 1 スキャナーの重量を支えられる、しっかりと、安定した平面にスキャナーをフロント部分を上向きにして、脚が端から出るように置きます。
- 2 6mmの六角ドライバーを使用して、それぞれの脚からM8ネジを外し、脚をゆっくりと取り外します。
- 3 プラスドライバーで脚の間の支柱を取り外します。支柱と脚は一緒に保管しておく、スキャナーの移動が必要な場合に再び取り付けられます。



デスクマウント用の脚とスキャナーの底の支柱は、ウォールマウントの際には取り外し可能

バックパネルの4つのM8ネジの場所は、下記になります。ウォールマウントには、必ずM8ネジを使用してください。M8ネジの長さは25mm以下である必要があります。



スキャナーを安全に設置するための注意事項

Cintel Scannerの重量はフィルムを装填した場合、最大70kg/155ポンドにも及びます。これは、大画面テレビをはるかに上回る重量です。壁やデスクの構造が、装填されたフィルムとスキャナー自体の重量に耐えられるかどうか不明な場合は、安全のために必ず資格のあるエンジニアに取り付けが可能かどうか診断してもらってください。不適切な取り付けは、スキャナーの落下を引き起こし、重大な怪我や死亡に至ることもあります。

デスクマウントする場合、特にスキャナーの下に回ってデスクマウント用のネジを取り付ける際は、必ず平らで安定した場所にスキャナーを置くようにしてください。取り付け用のブラケットや取り付け具は、必ずスキャナーの重量に十分耐えられる強度があるものを使用してください。設置場所がスキャナーの重量に耐えられなかったり、時間の経過により強度が落ちたりする場合、スキャナーの落下を引き起こし、重大な怪我に至る可能性があります。

ウォールマウントする場合、長期に渡って重量に耐えられる場所に設置してください。長期の使用により強度が落ちたりする場合、スキャナーの落下を引き起こし、怪我や損傷に至る可能性があります。重量を支えられない場所には設置しないでください。取り付け用のブラケットや取り付け具は、必ずスキャナーの重量に十分耐えられる強度があるものを使用してください。設置場所の強度が不十分な場合、スキャナーの落下を引き起こし、重大な怪我に至る可能性があります。

デスク/ウォールマウントは、必ず2人以上で行ってください。1人で取り付けは行わないでください。

はじめに

開梱と設置が終わったら、電源を接続し、Thunderboltでコンピューターにつなぎ、Blackmagic DaVinci Resolveを立ち上げ、フィルムをセットするだけで使い始められます。外部モニターでスキャンをすぐに確認したい場合は、フィルムを装填し、手動でフィルムのテンションを調整し、HDMIモニターに出力できます。詳細は、このマニュアルの「フィルムのセット」と「再生コントロール」セクションを参照してください。

ソフトウェアのインストール

スキャナーのキャプチャーコントロールは、DaVinci Resolveの「フィルムスキャナー」パネルにあるので、スキャンしたデータをキャプチャーするには、まずDaVinci Resolve Studioをダウンロードし、インストールする必要があります。スキャナーには、DaVinci Resolveの dongle が付属しているので、フルバージョンのDaVinci Resolveを使用できます。

Cintel Scannerの最新のソフトウェアは、Blackmagic Designサポートセンター www.blackmagicdesign.com/jp/support でダウンロードできます。

ダウンロードが終わったらファイルを解凍し、ダブルクリックします。これによりセットアップフォルダーが開きます。セットアップフォルダーの中のインストーラーファイルを実行し、指示に従ってソフトウェアをコンピューターにインストールします。

また、Cintel Scanner SDKを使用すれば、独自のソフトウェアを開発し、Cintel Scannerの操作や既存のワークフローへの統合なども行えます。詳細は「ソフトウェア開発キット」セクションを参照してください。

電源の接続

コンピューターに必要なソフトウェアがすべてインストールされたので、スキャナーを電源に接続することでフィルムのセットができます。

標準IECケーブルをバックパネルの右下のAC電源ソケットにつなげることで電源に接続できます。電源に接続されると、スキャナーの電源インジケータLEDが緑に点灯します。

コンピューターと接続

Cintel Scannerをホストコンピューターに接続する方法は2種類あります。Thunderbolt 3ポートは、WindowsとMacコンピューターで使用できます。PCIe外付けポートは、Blackmagic PCIe Cable Kitを使用して、WindowsとLinuxコンピューターで使えます。また、スキャナーのHDMIポートで外部モニターに接続し、フォーカスやプレビューも行えます。Thunderbolt 3、PCIe、HDMIポートは、スキャナーの右下にあります。

DaVinci Resolveの起動

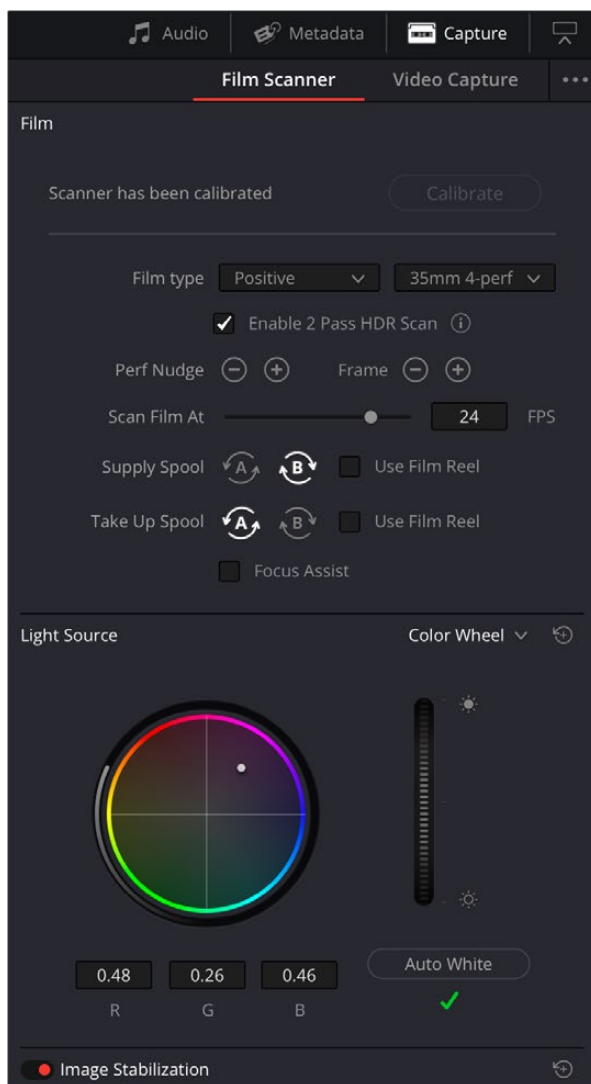
DaVinci Resolveを起動し、メディアページを選択します。スクリーンの右上の「キャプチャー」ボタンをクリックし、「フィルムスキャナー」を選択して、DaVinci Resolveの「フィルムスキャナー」パネルを開きます。

スキャナーは膨大な量のイメージデータをキャプチャーするので、DaVinci Resolveにキャプチャーされたファイルを記録するためにフォルダーを設定する必要があります。

以下の手順に従います：

- 1 DaVinci Resolveを起動します。
- 2 DaVinci Resolveのメニューバーの「環境設定」をクリックします。
- 3 「メディアストレージ」タブのプラスアイコンをクリックします。ドライブまたはフォルダパスを選択します。
- 4 「保存」をクリックして、DaVinci Resolveを再起動します。

DaVinci Resolveの「フィルムスキャナー」パネルのコントロール機能に関しては、このマニュアルの「DaVinci Resolveを使用したキャプチャー」セクションを参照してください。



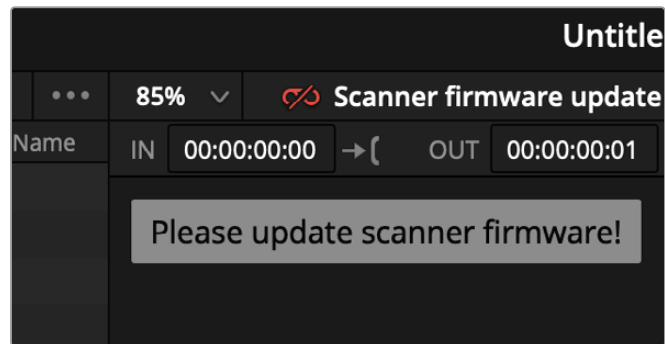
DaVinci Resolveの「フィルムスキャナー」パネルでは、あらゆるキャプチャー設定をコントロール可能

ファームウェアのアップデート

コンピューターにCintel Scannerソフトウェアをインストールした後、Cintel ScannerおよびAudio and KeyCode Readerの内部ファームウェアをアップデートする必要がある場合があります。

Cintel Scanner

コンピューターにCintel Scannerソフトウェアをインストールし、Cintel Scannerを接続すると、スキャナーはファームウェアのアップデートが必要か検証します。



Cintel Scannerのファームウェアのアップデートを促すDaVinci Resolveのメッセージ

Audio and KeyCode Reader

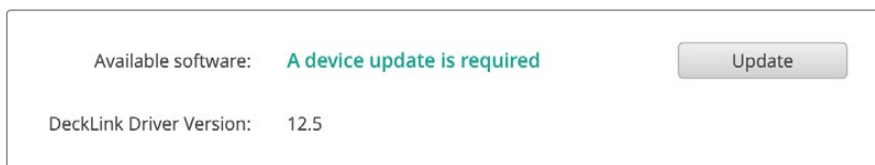
Audio and KeyCode Readerのファームウェアをアップデートする必要がある場合、上のスクリーンショットに似たメッセージがDaVinci Resolveに表示されます。

ファームウェアのアップデートを実行

Cintel ScannerおよびAudio and KeyCode Readerのファームウェアを更新するためのソフトウェアアップデートは、Cintel Setup Utilityで実行します。

Cintel ScannerまたはAudio and KeyCode Readerのファームウェアをアップデートする：

- 1 Cintel Scannerを電源に接続し、Thunderbolt 3またはPCIeポートでコンピューターに接続します。
- 2 Audio and KeyCode Readerをアップデートする場合、USB-Cケーブルでコンピューターと接続します。
- 3 Cintel Setup Utilityを立ち上げ、Cintel ScannerまたはAudio and KeyCode Readerを選択します。
- 4 設定ボタンを押して、「Setup」タブに進みます。使用できるアップデートがある場合、「Update」ボタンをクリックします。



「Setup」タブでは、Cintel ScannerおよびCintel Audio and KeyCode Readerの新しいファームウェアがあるか確認可能

ファームウェアがアップデートされ、設定、機能、互換性が更新されました。

ソフトウェア開発キット

Blackmagic Designでは、スキャナー用の無償ソフトウェア開発キットを提供しています。SDKはクロスプラットフォームであるため、Mac、Windows、Linuxで使用できます。SDKには、サンプルのコードコマンドが含まれているため、スキャナーをDaVinci Resolveでコントロールするかのように、コマンドラインで操作できます。

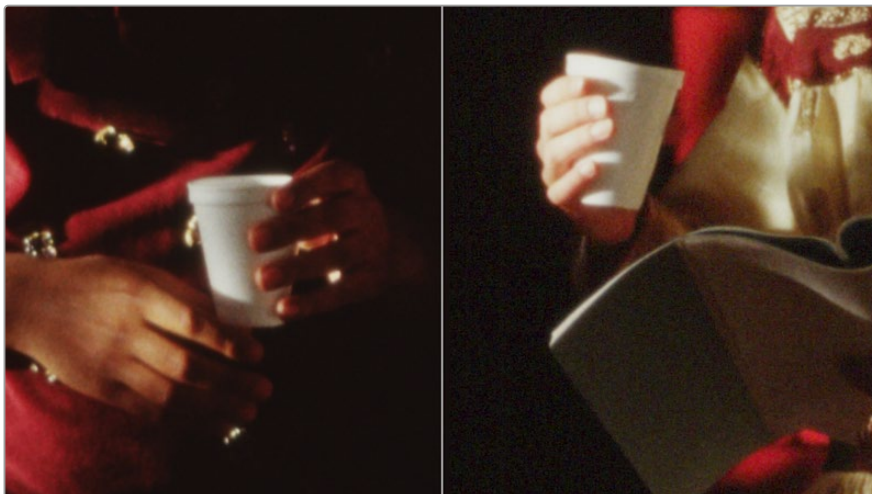
Cintel Scanner SDKを使用すれば、スキャナーの操作、設定の変更、スキャンの開始、クリップの処理を実行できるソフトウェアを開発できます。スキャナーにはDaVinci Resolve Studioが同梱されていますが、SDKではDaVinci Resolveの推奨仕様には満たないコンピューターでも、スキャナーを使用するソフトウェアを開発できます。詳細は、デベロッパーページ (www.blackmagicdesign.com/jp/developer) を参照してください。

HDRとは

HDR (ハイダイナミックレンジ) は、異なる露出の複数のイメージを組み合わせ、イメージの全体的なダイナミックレンジを拡張し、ノイズを改善するテクニックです。スキャナーは、2パス方式でHDRスキャンを行います。最初のパスは、通常の露出でスキャンします。2番目のパスは、はるかに高い露出でスキャンするため、プリントの低照度の部分、ネガティブのハイライトにおいて、さらに細かなディテールが得られます。通常の露出と高い露出がブレンドされると、より高いビット深度のイメージとなります。



(左) 通常の露出パス、(右) 高い露出パス

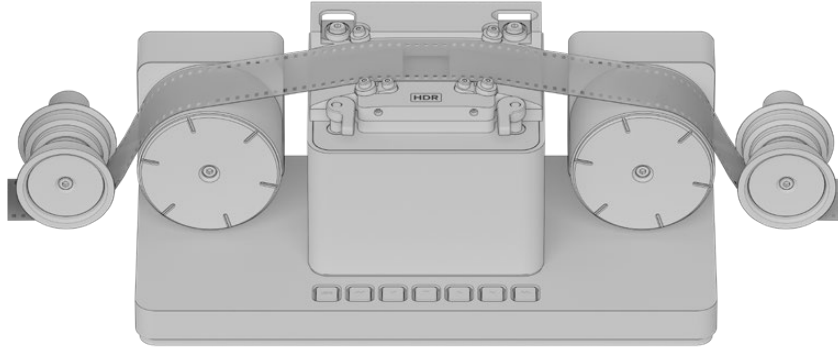


これらは、同じフレームのスキャンをズームしたイメージです。HDRスキャン (左)、標準のスキャン (右)。HDRスキャンはノイズが少なく、より正確なカラーで、優れたシャドウとハイライトのディテールが得られます。

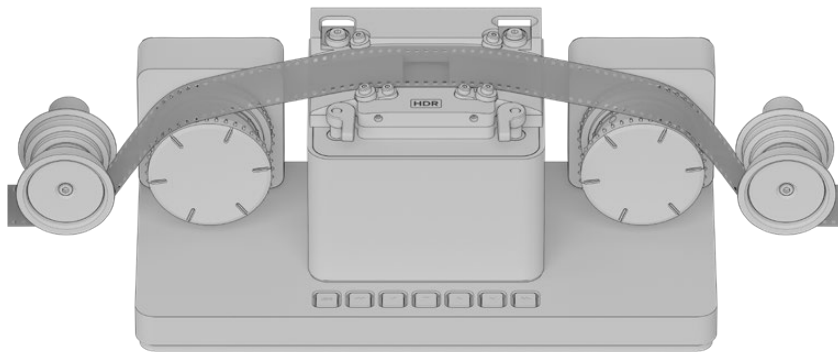
高精度のHDRゲートとイメージスタビライズにより、最初のスキャンと高い露出のスキャンは、高品質のリサイズフィルターを用いてサブピクセルの正確性で配置されます。これにより、配置によるアーチファクトのないHDRクリップが作成されます。

駆動輪

Cintel Scannerは、機種によってキャプスタンまたはスプロケットを搭載しています。いずれのタイプの駆動輪もフィルムを前後に送るために回転し、各フレームがイメージセンサーのゲート内に正確に配置されたら停止します。駆動輪はスキャナーに統合されている部品であり、異なるタイプの駆動輪に変えることはできません。



キャプスタンは、適度な摩擦でフィルムを絡め取るため、脆くなったり、損傷したパーフォレーションのフィルムでも強い負担をかけることはありません



スプロケットホイールは、フィルムのパーフォレーションにホイールの歯が噛み、イメージの領域には接触しません

先行する駆動輪がフィルムを引っ張り、後続の駆動輪はテンショナーとして機能し、スキッドプレート上をフィルムがスムーズに移動するようにします。Cintel Scannerの駆動輪は左右対称で配置されているため、様々な速度でフィルムを前後に送る際に、同一の扱い方かつ精度で実行されます。

フィルムのセット

スキャナーとDaVinci Resolveの通信が行われるようになったので、フィルムをセットします。

スキャナーを開ける

スキャナーのスライドドアを開きます。

内部のフロントパネルの左側に供給スプール、右側に巻取スプールがあります。供給スプールはスキャン前のフィルムをセットする場所で、巻取スプールはスキャン済みのフィルムを回収します。

フィルムの巻き上げ設定

巻き上げタイプを設定すると、適切な方向にスプールが回転します。DaVinci Resolveの「フィルムスキャナー」パネルに進み、「供給スプール」で「B」、「巻取スプール」で「A」をクリックして巻き上げタイプをB/Aに設定します。

スキャナーの巻き上げタイプのデフォルト設定はB/Aです。この設定では、供給スプールが時計回り、巻取スプールが反時計回りに回転します。詳細は、このマニュアルの「巻き上げタイプ」セクションを参照してください。

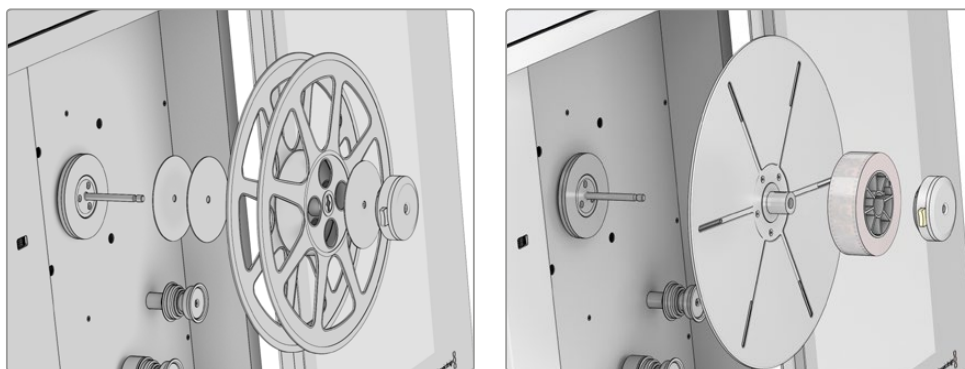
フィルムの種類とサイズに適した設定になっていることを確認します。適切なフィルムの種類やゲージをDaVinci Resolveの「フィルムスキャナー」パネルの設定から選択します。設定は、8mm、16mm、35mmから選択でき、様々なパーフォレーションのレイアウトが搭載されています。

巻取スプールの準備

同梱の75mmのスプールコアとコアクランプをスキャナーの巻取側の軸にスライドして取り付けます。コアクランプの取り付けは、クランプのボタンを押しながら軸に押し込み、抵抗を感じたらボタンから指を放し、カチッという音が聞こえるまでクランプを押し込みます。

フィルムの装填

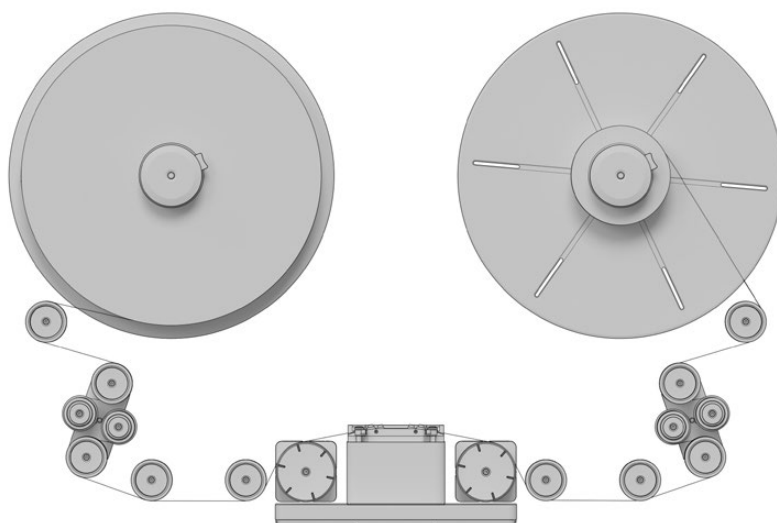
フィルムのリールやコアをステップ3と同様の方法で供給側の軸に装填します。手順は、フィルムがコアかリールか、また35mm、16mm、8mmのいずれかによって若干異なります。例えばコアを装填する場合、同梱の受け板を差し込む必要がありますが、リールを装填する場合はスペーサーの使用だけで装填できます。



上記の図は、35mmリールとコアの装填方法を示しています。フィルムのリールを装填するには、受け板は必要なく、同梱のスペーサーだけを使用します。フィルムのコアを装填するには、同梱の受け板を使用します。

フィルムのセット

以下の図のように、フィルムのリーダーを1~2メートルほどスキャナーのローラーにそっと通します。



デフォルトの巻き上げ設定はB/Aで、供給スプールの下部からフィルムが巻き出され、巻取スプールの上部で巻き取られます。

フィルムのテンション

巻取スプールにフィルムを固定するには、スプールの小さな溝にフィルムの端を差し込み、何度かスプールを手動でゆっくりと巻き上げてフィルムを固定します。

溝にフィルムを入れることでフィルムの端が折れ曲がるのを避けるには、スプールに巻きつけたフィルムが巻き上がることで発生するフィルム同士の摩擦を利用することで溝の使用を避けられます。また、極めて弱い接着力のテープを使用することもできます。

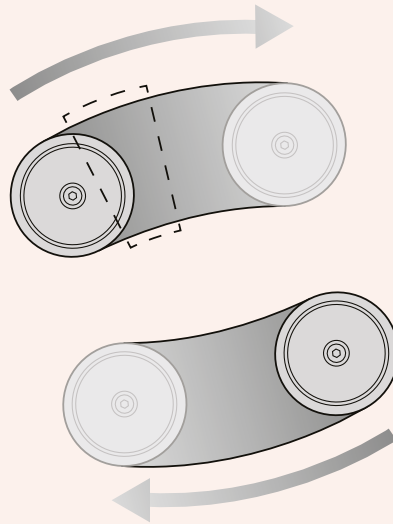
「LOAD (ロード)」ボタンを押すか、手動で供給と巻取スプールを同時に回すことでテンションが調整できます。

マニュアルでのテンション

マニュアルでフィルムのテンションを調整すると、各スプールの下のコンプライアンスアームが下記の図のように動きます。これらが可動域の1/3まで動いた時点で、その位置で1~2秒間スプールを動かすのを止めます。スキャナーが、巻取スプールにフィルムが固定されたことを感知すると、テンション機能が自動的に作動し、残りのタルミが巻き取られます。

マニュアルまたは自動に関わらずロードの際に問題が起きたら、「Load」ボタンを再度押すか、供給または巻取スプールをしっかりと抑えることでローディングが止められます。

上記いずれかの動作が行われたことをスキャナーが認知し、ロードが中止されます。



マニュアルでフィルムのテンションを調整する際は、コンプライアンスアームが可動域の半分をわずかに下回るくらいまで動くような力でフィルムを張るようにしてください。スキャナーが自動的にタルミを巻き上げます。

フィルムの検査

フィルムが適切にセットされているかどうかは、スキャナーの再生ボタンを押すか、DaVinci Resolveの「フィルムスキャナー」パネルの「再生」ボタンをクリックして確認します。ビューアまたは (HDMIモニターが接続されている場合は) HDMIモニターに、フィルムのイメージが表示されていれば、スキャナーが動作しています。

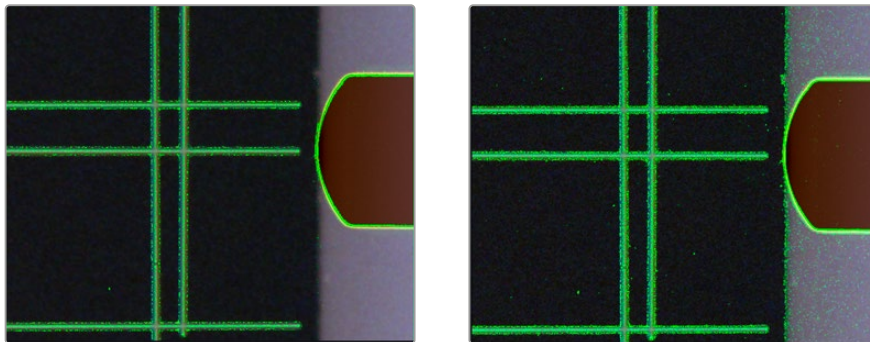
巻き上げタイプによっては、イメージが縦方向または横方向に反転する可能性があります。これは、適切なフィルムタイプを選択することで修正できます。例えば、ネガティブフィルムは「ネガティブ」設定が選択されていない場合、左が右に反転することがあります。フィルムタイプを選択しても修正できない場合は、異なる巻き上げタイプでフィルムをリロードする必要がある可能性があります。

Cintel Scanner G3 HDR+でスキャンするフィルムの状態をチェックするには、停止または再生ボタンを2秒間長押しします。これにより、検査モードがオンになり、フィルムを照らす光源の強度が下がるため、フィルムの欠陥、ダート、傷を確認できます。フィルムをきちんとチェックできるため、フィルムのクリーニングやリール修理が必要か判断できます。

フォーカス

カメラのレンズのフォーカスと同様に、スキャナーのセンサーに投影されるフィルムのイメージのフォーカスも合わせる必要があります。フォーカスダイヤルは、スキャナーの中央の支柱にあります。フォーカスを完璧に合わせるには、DaVinci Resolveの「フィルムスキャナー」パネルの「フォーカスアシスト」を使用すると最も正確な調整が可能です。フォーカスアシストは、Blackmagicカメラのフォーカスピーキング機能と似ていて、イメージの最もシャープな部分を緑色で縁取りします。緑の縁取りが最も強調されるようにすることで、簡単にフォーカスが調整できます。

フォーカスアシスト機能はDaVinci Resolveの「フィルムスキャナー」パネルでチェックボックスをオンにすると有効になり、フォーカスダイヤルを調整しながら、CintelスキャナーのHDMI出力または、「フィルムスキャナー」パネルのビューアでフォーカスが合っているか確認します。フィルムグレインは、調整する上でのインジケータとして最適です。緑の縁取りがフィルムのグレイン上で最も強く表示されると、画像にフォーカスが完璧に合っていることとなります。



「フォーカスアシスト」でフォーカスを正確に設定するには、フィルムグレインが最適です。上記の左の画像はフォーカスが合っていない例で、右側はフォーカスが合っている例です。フォーカスアシスト機能は、フィルムのグレインを強調し、パーフォーレーションの部分で最も顕著に現れます。

フォーカスアシストは、ネガティブフィルムで最も効果を発揮します。これは、ネガティブが一般的によりシャープでグレインのディテールが顕著であるためです。

フォーカスアシスト機能を最大限に活かすには、ビューアをフル解像度に設定します。ビューアの右上のオプション設定をクリックし、「フル解像度プレビュー」をメニューから選択します。

「フル解像度プレビュー」は無効にするまで設定されたままになります。この設定はGPUに大きな負担がかかり、ビューアのパフォーマンスに影響を与える可能性があります。例えば、フレーム遅延が発生することがあるので、フル解像度でフォーカスを確認した後は、パフォーマンスの影響を考慮し、無効にすることを推奨します。

スキャナーのドアを閉じる

最高品質のスキャンを得るには、スキャナーのスライドドアを閉じることを推奨します。ドアが閉まりかけている状態から、ゆっくりと閉まるようにデザインされているので、スプリング機構が動作する感触が得られるまで両側のドアを中央に向かってスライドさせていくだけで、後は自動的に閉まります。ドアが閉まると、外部からの光が完全に遮断されます。

スキャナーの高品質の光源は、極めて強い明かりで照らされた場所以外なら光害の影響を排除します。フィルムの表面は光沢があるので天井の光を反射してしまい、キャプチャーしたイメージに斑点として映りこむ可能性があります。これは、スキャン中にスキャナーのドアを開けないことで避けられます。

フィルムをセットし、テンションやイメージのフォーカスを調整し、ドアを閉めたら、キャプチャーを開始できます。

イメージをキャプチャーする際の、光源のキャリブレーション、スタビライザー、キャプチャーパレットの設定に関する詳細はDaVinci ResolveのリファレンスマニュアルのCintelセクションを参照してください。DaVinciのリファレンスマニュアルでは、光学オーディオの同期方法やスキャンのキャプチャーファイルの管理方法についても紹介しています。

スキャナーのメンテナンスや技術仕様に関する情報は、このマニュアルの末尾近くの「メンテナンス」と「仕様」のセクションを参照してください。

スキャナーの使用

このセクションでは、異なる巻き上げタイプの8mmと16mmフィルムの装填方法、オプションの8mmと16mmゲートキットの取り付け・調整方法、Cintel Scannerのトランスポートコントロールの使用方法について紹介します。

巻き上げタイプ

「巻き上げタイプ」は、供給と巻取のポジションと、供給/巻取スプールの回転方向を意味します。下の図のように、「A」はフィルムの供給/巻取がスプールの上部から行われるのに対し、「B」では下部から行われます。これは、供給と巻取スプールの両方に当てはまります。

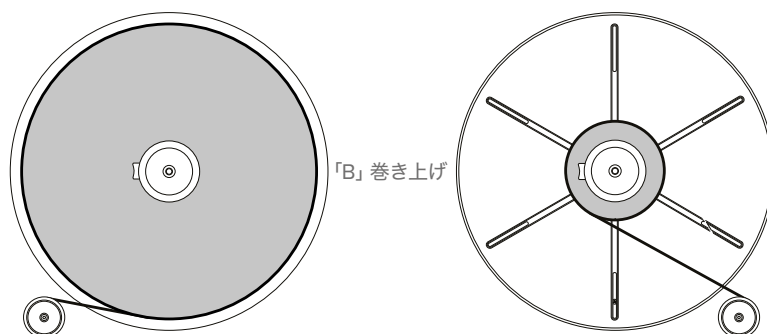
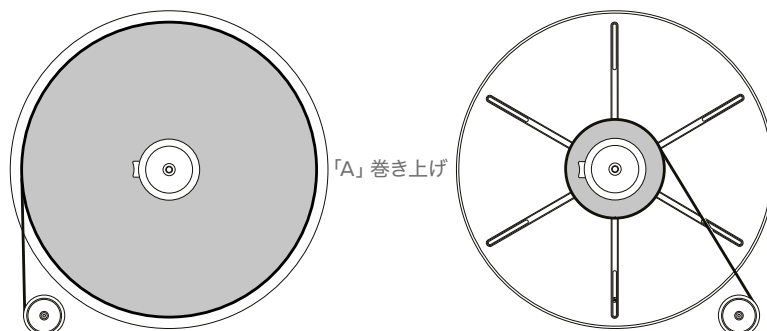
デフォルトの巻き上げタイプはB/Aで、これは供給スプールが下部からフィルムを供給し、巻取スプールが上部からフィルムを巻き取ることを意味します。スキャンするフィルムが異なる方法で巻かれている場合、AとBを異なる組み合わせにすることができます。DaVinci Resolveの「フィルムスキャナー」パネルの「供給」と「巻取」ボタンで適切な巻き上げタイプを選択することで組み合わせが変更されます。

巻き上げタイプは、スプールの回転方向、オーディオ情報やパーフォレーションの場所、またフィルムのエマルジョン面がスキッドプレート側に向いているかどうかに影響するので、プロジェクトに適した組み合わせを用いることが重要です。

適切な巻き上げタイプをDaVinci Resolveの「フィルムスキャナー」パネルの設定から選択します。

供給スプール

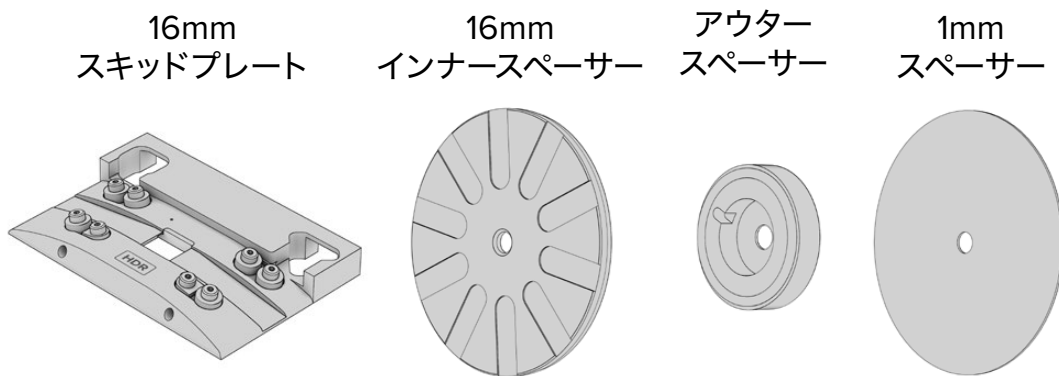
巻取スプール



AとBの巻き上げタイプの違いを一言でいうと、Aはフィルムがリールやスプールの上部から供給/巻取が行われるのに対して、Bは下部から行われます。

16mmフィルムのスキャン

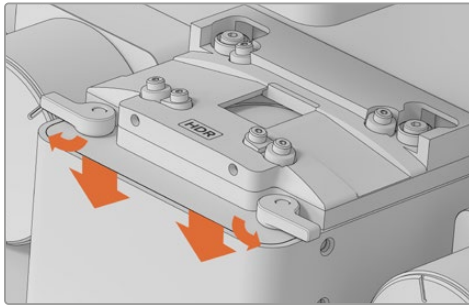
オプションのCintel Scanner 16mm Gateキットには、16mmのスキャンに必要なすべてのパーツが含まれており、スキャナーのセットアップも最低限です。



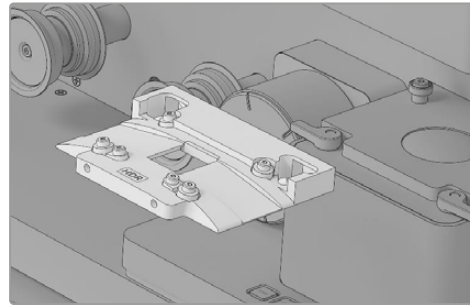
Cintel Scanner 16mm Gateキットには、16mmスキッドプレート x1、16mmインナースペーサー x2、16mmアウタースペーサー x2、1mmスペーサー x4が含まれています。

スキッドプレートの交換

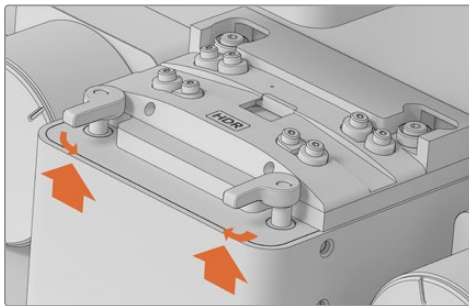
35mmスキッドプレートを16mmスキッドプレートに交換するには、35mmスキッドプレートのフロント部分の固定レバーを押し下げてから外側に回します。35mmスキッドプレートを取り外し、16mmスキッドプレートを取り付けます。スキッドプレートを取り付ける際には、固定レバーが一番上まで引き上げられていることを確認してから内側に回してください。レバーが上がっていないと、きちんとプレートが固定されないことがあります。



スキッドプレートを取り外すには、固定レバーを押し下げてから外側に回します



35mmスキッドプレートを取り外し、16mmスキッドプレートを取り付けます



スキッドプレートを固定するには、固定レバーを一番上まで引き上げ、内側に回します

16mmインナースペーサーの取り付け

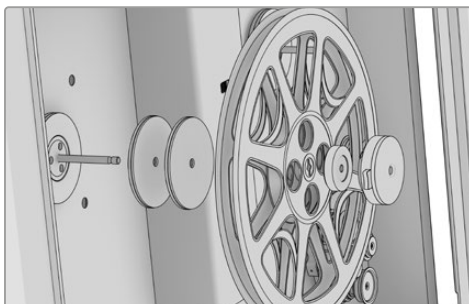
ゴム製の16mmインナースペーサーを供給と巻取スプールに差し込みます。ゴム製のスペーサーは溝が付いた面を内側にして、バックングプレートやスプールやリールを取り付ける前に差し込みます。

オプションの追加スペーサー

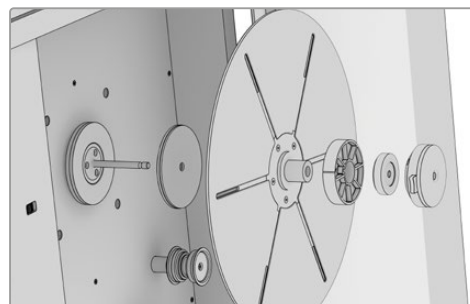
1mmのゴム製スペーサーが16mm Gateキットには含まれているので、リールを装填する際に使用できます。フィルムの位置をスキャナーのローラーの位置と合わせる必要がある場合、このスペーサーを使います。

フィルムの装填

16mmのコアやリールを供給スプールに装填し、バックングプレートやコアを巻取スプールに取り付けた後、スプールを固定するためにアウトースペーサーを差し込みます。このスペーサーの内側には溝とゴム製リングが付いているので、コアやリールが固定されます。アウトースペーサーの取り付けが終わったら、スプールを通常通りに固定します。



リールの装填。外側に向かって、16mmインナースペーサー x2、16mmリール、アウトースペーサー、コアクランプ



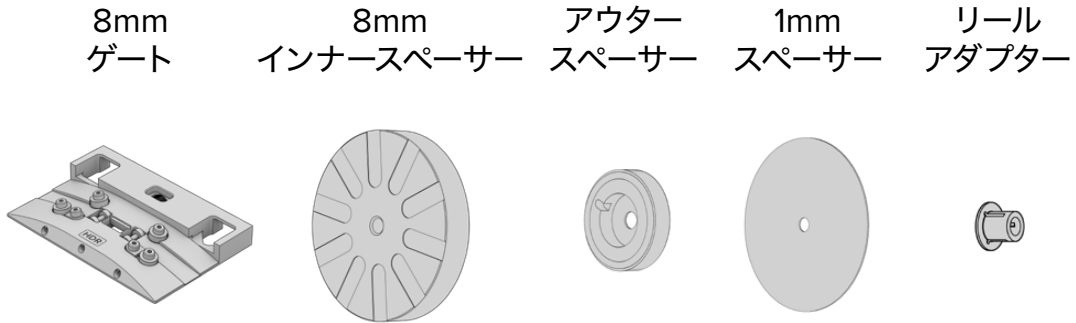
コアの装填。外側に向かって、16mmインナースペーサー、バックングプレート、16mmコア、アウトースペーサー、コアクランプ

フィルムのセット

35mmフィルムと同様にフィルムをセットします。「LOAD」ボタンを押すか、手で16mmフィルムのテンションを調整する前に、駆動輪上をフィルムが適切に通っているか確認してください。フィルムの配置が正しくないと、フィルムが傷つく可能性があります。

8mmフィルムのスキャン

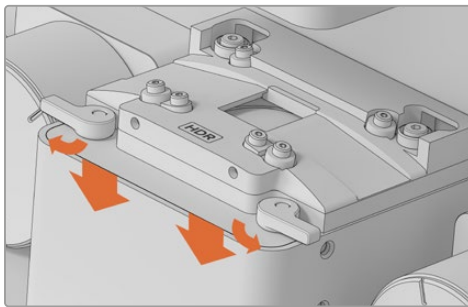
オプションのCintel Scanner 8mm Gateキットには、8mmのスキャンに必要なすべてのパーツが含まれており、スキャナーのセットアップも最低限です。



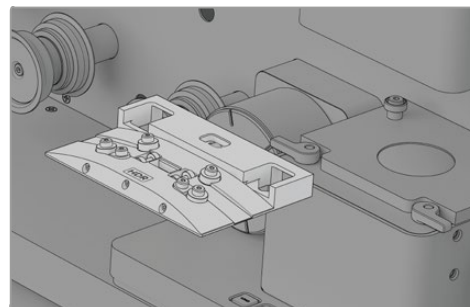
Cintel Scanner 8mm Gateキットには、8mmゲート x1、8mmインナーSpacer x2、アウターSpacer x2、1mmSpacer x4、8mm - スーパー8mmリールアダプター x2が含まれています。

スキッドプレートを8mmゲートに交換する

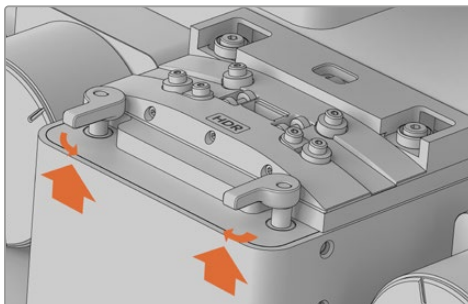
スキッドプレートを8mmゲートに交換するには、スキッドプレートのフロント部分の固定レバーを押し下げてから外側に回します。スキッドプレートを取り除き、8mmゲートに交換します。ゲートを取り付ける際には、固定レバーが一番上まで引き上げられていることを確認してから内側に回してください。レバーが上がっていないと、きちんとゲートが固定されないことがあります。



スキッドプレートを取り外すには、固定レバーを押し下げてから外側に回します



35mmスキッドプレートを取り外し、8mmゲートを取り付けます



ゲートを固定するには、固定レバーを一番上まで引き上げ、内側に回します

8mmインナー Spacer の取り付け

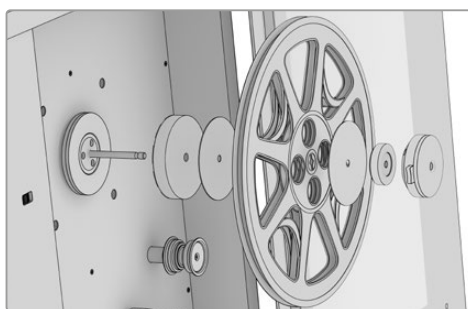
金属製の8mmインナーSpacerを供給と巻取スプールに差し込みます。ゴム製のSpacerは溝が付いた面を内側にして、リールを取り付ける前に差し込みます。

オプションの追加Spacer

8mm Gateキットには1mmのゴム製Spacerが含まれており、異なるタイプのリールを装填する際に使用できます。フィルムリールの位置をスキャナーのローラーの位置と合わせる必要がある場合、必要に応じて、リールの両側にこれらのSpacerを使用します。

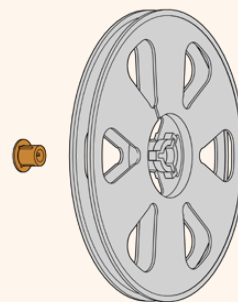
フィルムの装填

8mmのリールを供給スプールに装填し、空のフィルムリールを巻取スプールに取り付けた後、スプールを固定するためにアウターSpacerを差し込みます。アウターSpacerの取り付けが終わったら、リールを通常通りに固定します。



外側に向かって、8mmSpacer、1mmSpacer、8mmリール、1mmSpacer、アウターSpacer、コアクランプ

作業のこつ スーパー8mmを装填している場合、同梱のスーパー8mmリールアダプターを各リールに装着します。このアダプターにより、リールが軸に適切にマウントされます。

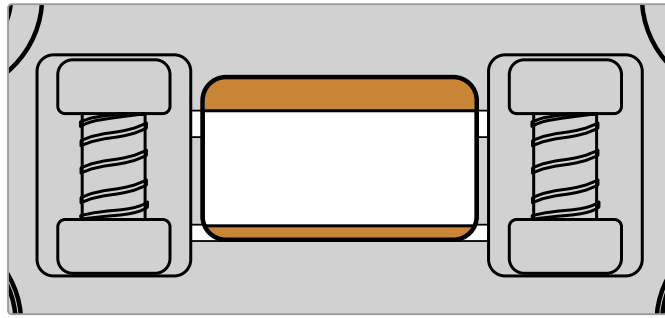


フィルムのセット

35mmフィルムと同様にフィルムをセットします。「LOAD」ボタンを押すか、手動で8mmフィルムのテンションを調整する前に、駆動輪上をフィルムが適切に通っているか確認してください。フィルムの配置が正しくないと、フィルムが傷つく可能性があります。

8mmフィルムゲージ間での切り替え

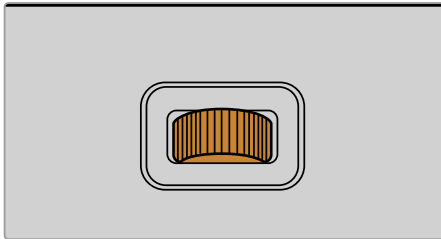
オプションの8mmゲートには、調整可能なアパーチャーシャッターが搭載されており、スタンダード8mm、スーパー8mm、Max 8mmで切り替えられます。フィルムの画像がない領域に合わせてアパーチャーシャッターを調整することで、フィルムの端でフレアが生じることを防ぎ、イメージのスタビライゼーションのためにトラッキングを行う領域を最適化するのに役立ちます。



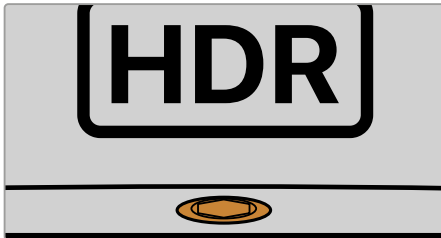
調整可能なアパーチャーシャッターに対応した8mmゲート

調整を行いやすいように、ゲートの上面に、各フィルムゲージの位置を示す白い参照ラインがあります。フィルムの収縮やカメラのアパーチャーの差異があることがあるため、これらのラインは参考程度に使用してください。最終的な微調整は、フィルムサンプルを装填し、ローカルのHDMIディスプレイやDaVinci Resolveのプレビューでモニタリングすることで実行できます。

アパーチャーシャッターを調整する：

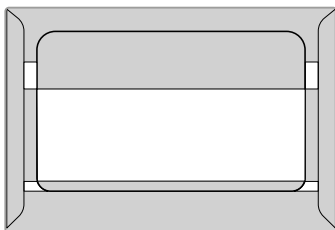


ゲートの後方に向かってホイールを回転させ、パーフォレーション側の上部シャッターを調整します。これにより、スタンダード8mmとスーパー8mmを切り替えられます。

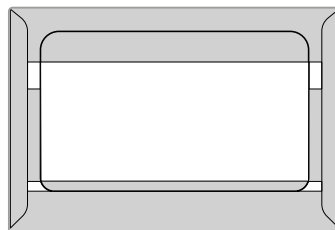


2mmの六角ドライバーでゲート前面中央にあるネジを回して、パーフォレーションがない底部のシャッターを調整します。これにより、スーパー8mmとMax 8mmを切り替えます。

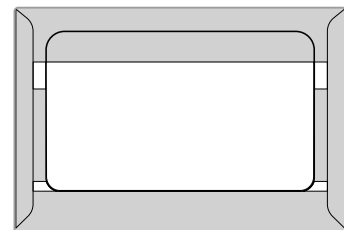
以下の図は、スタンダード8mm、スーパー8mm、Max 8mm用にそれぞれ調整したアパーチャーシャッターです：



スタンダード8mm



スーパー8mm



Max 8mm

アパーチャーシャッターの調整が終わったら、フィルムサンプルを装填し、アパーチャーシャッターがフィルムの画像がない領域と揃うように最終的な微調整を行います。



不適切なセットアップ。アパーチャーシャッターを広く設定しすぎたことにより、イメージの両側に明るい領域が生じています



不適切なセットアップ。アパーチャーシャッターを狭く設定しすぎたことにより、イメージの両側に暗い領域が生じています

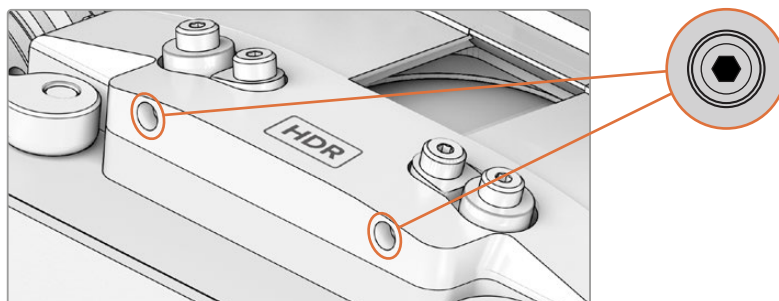


適切なセットアップ。フィルムの画像がない領域の端に、アパーチャーシャッターが適切に配置されています

フィルム経路テンションスクリュー

スキッドプレートの4つのローラー・ベアリングは、フィルムを適切な経路に通し、フィルムの蛇行を最小限に抑えます。スキャン中にフィルムがベアリングに接触していない場合は、テンションを調整できます。これは、スキッドプレートまたは8mmゲートのフロント部分にあるM4テンションスクリューを2mmの六角ドライバーで軽く締めることで調整できます。

テンションが強すぎると、イメージの位置がわずかに変わることがあり、スキャンに影響する可能性があります。この現象が起きた場合は、スキャンが正常に戻るまでテンションを逆方向に調整します。



フィルム経路テンションスクリューは、8mmゲート、16mmと35mmのスキッドプレートのフロント部分にあります。

再生コントロール

DaVinci Resolveとスキャナーで下記の再生コントロールが使用できます。



スキャナーは、ローディング、アンローディング、プレビューのコントローラーを内蔵



ロード

「LOAD」ボタンは、「フィルムのセット」セクションに記載されている通り、スキャナーに装填されたフィルムの供給/巻取りルールのテンションを調整します。

テンションが調整された状態で「LOAD」を1回押すと、コンプライアンスアームがタルミの位置に戻りフィルムがアンロードされます。



巻き戻し

巻き戻しボタンを押すと、フィルムが供給スプールに巻き戻されます。このボタンを1回押すと、フィルムが高速で巻き戻され、75mmスプールの開始点まで巻き上げられると止まります。再度このボタンを押すと、供給スプールに残りのフィルムがすべて巻き戻され、スキャナーからアンロードされます。

50mmスプールでは、75mmの開始点でまず停止します。巻き戻しボタンを2回目に押すと、75mmスプールが完全に巻き戻しが終わる位置まで、ゆっくりと巻き戻されます。この時点で、フィルムがまだロードされているとスキャナーが検知すると50mmの開始点に至るまで高速で巻き戻され、そこに達すると止まります。巻き戻しボタンを3回目に押すと、50mmスプールを完全に巻き戻します。8mmフィルムリールでは、開始点が63mmまたは32mmフィルムリールのコアの直径にそれぞれプログラムされています。

100mmスプールは稀なので、スキャナーは100mmの開始点に達する前に止まるようにプログラムされていません。100mmスプールを使用する場合は、巻取スプールへのフィルムの装填に注意してください。スプールの溝を使用できますが、フィルムの端が折れ曲がるのを避けるには、フィルムをスプールに巻きつけ、フィルムが巻き上がることで生じるフィルム同士の抵抗を利用できます。100mmスプールをロードする際は、接着テープの使用は避け、スプールがきちんとアンロードされるか確認してください。



フレーム戻し

フィルムを1フレーム巻き戻します。「フレーム戻し」ボタンを押したままにすると、低速でフィルムを逆再生できます。



停止

再生/早送り/巻き戻しを停止します。



再生

フィルムを再生します。デフォルトのフレームレートは24fpsです。DaVinci Resolveの「フィルムスキャナー」パネルで再生フレームレートを設定でき、「逆再生」も可能です。



フレーム送り

フィルムを1フレーム送ります。「フレーム送り」ボタンを押したままにすると、低速でフィルムを再生できます。



早送り

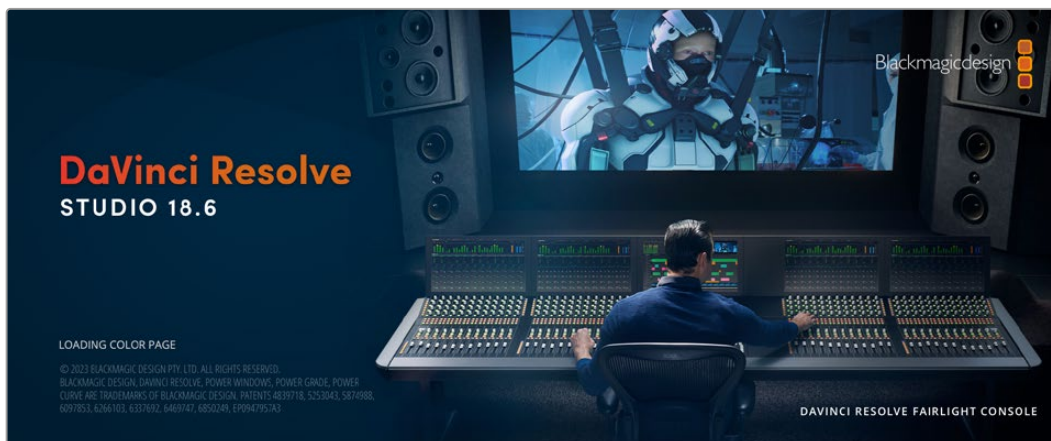
巻取スプールにフィルムを高速で送ります。50mm、75mm、100mmスプールの巻き戻しと同様の方法で停止します。

スキャナーの「フレーム戻し」と「フレーム送り」ボタンを長押しすると、4fpsずつ逆方向または順方向に再生します。DaVinci Resolveの「フィルムスキャナー」パネルにあるボタンをマウスで長押しすることで、スキャナーのボタンで行うのと同じフレーム戻しとフレーム送りが実行できます。

スタンバイモード

休止状態の場合、スキャナーはスタンバイモードに切り替わり、光源の寿命を保ちます。スタンバイモードは、Thunderboltでの接続から15分後、またはソフトウェアが未接続の場合は1分半で切り替わります。スタンバイモードに入る際には、光源を緑色に点滅して知らせます。

DaVinci Resolveを使用したキャプチャー



このセクションでは、DaVinci Resolveの「フィルムスキャナー」パネルの設定と機能を用いたスキャナーの使用方法を説明します。例えば、スキャナーのキャリブレーション、光源の強度と色温度の調整、イメージスタビライズの設定などを説明します。年月を経て傷みやよくなっているフィルムのCintelスキャナーでの取り扱い方法も設定できます。

作業のこつ DaVinci Resolveは、現在のプロジェクトのすべてのスキャナー設定を保存します。

Cintel Scannerのインターフェース

DaVinci Resolveの上部に表示されているUIツールバーの「キャプチャー」ボタンをクリックし、メディアページでCintel Scannerをコントロールするための設定を行います。DaVinci Resolveの「フィルムスキャナー」パネルを開くと、設定、キャリブレーション、現在スプールに装填されているフィルムロールの選択範囲におけるロギングまたはスキャンのオプションを選択できます。Cintelスキャナーコントロールのスペースを広げたい場合は、UIツールバーの右端にある展開ボタンをクリックし、「メタデータ」パネルを閉じます。



メディアページのCintelスキャナーコントロール

トランスポートコントロール

ビューアの下のトランスポートコントロールは、再生モードで使用するコントロールと似ていますが、ここではCintel Scannerのコントロールに使用します。1フレームずつ順方向/逆方向に動かすコントロールが追加で表示されます。

イン/アウトコントロール

Cintelスキャナーモードでは、トランスポートコントロールの右にある「イン点」と「アウト点」ボタンを使用して、キャプチャーするフィルムロールの範囲を指定できます。

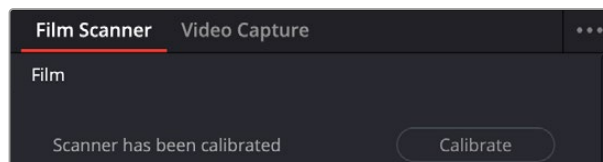
Cintelスキャナーモードで、クリップをフィルムからメディアプールにスキャンする際に、以下の設定がメディアページのビューアの右側に表示されます。

フィルムコントロール

フィルムコントロールには、スキャナーの光学系のキャリブレーション、フィルムタイプの選択、フレームの位置合わせ、スキャン速度およびスプールの巻方向の調整、リールタイプの選択、フォーカスアシスト機能のオン/オフの切り替えを実行できるオプションが搭載されています。

キャリブレート

このオプションではスキャナーの光学系をキャリブレートし、光学系の汚れやシミ、取り除けない埃を除外します。フィルム自体の埃を取り除く機能ではないのでご注意ください。



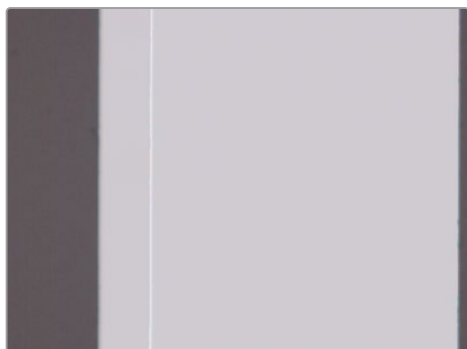
「キャリブレート」ボタンは、Cintel Scannerの光学系から埃や、小さな汚れおよびシミの除外に使用可能

新しい素材をスキャンする前に光学系の埃をスプレーで取り除くことを推奨しますが、光学系の汚れやシミが時間の経過とともに取り除けなくなることがあります。その場合、「キャリブレート」ボタンを用いて、スキャンしたイメージからこのような汚れやシミを除外できます。

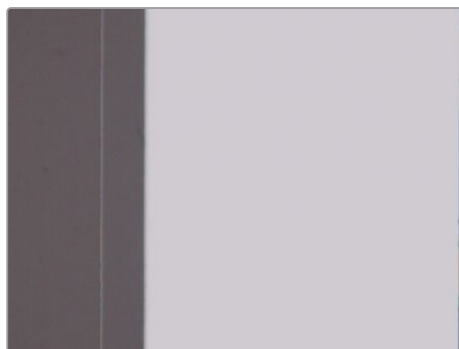
スキッドプレートを適切に取り付けた状態で、オプティクスをキャリブレーションします。これにより、イメージのスタビライズが向上し、最高の画質が得られます。

小さなゲージのフィルムに対応するために、キャリブレーションボタンは取り付けたゲートを分析し、キャプチャーしたイメージを基準に合わせて調整します。これが実行するには、ゲートを取り替えるたびに、フィルムを装填しない状態でキャリブレーションを行うことで、パフォーマンスが最適化されます。

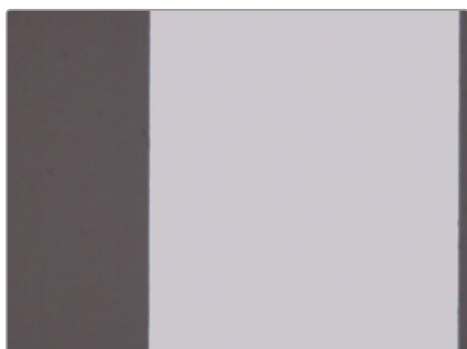
8mmゲートを使用しており、別の8mmゲージに合わせてアパーチャーシャッターを調整している場合、前回のキャリブレーションの"ゴーストイメージ"を防ぐためにキャリブレーションのプロセスを繰り返す必要があります。



不適切なキャリブレーション。スタンダード8mmのキャリブレーションが行われたスーパー8mm



不適切なキャリブレーション。スーパー8mmのキャリブレーションが行われたスタンダード8mm

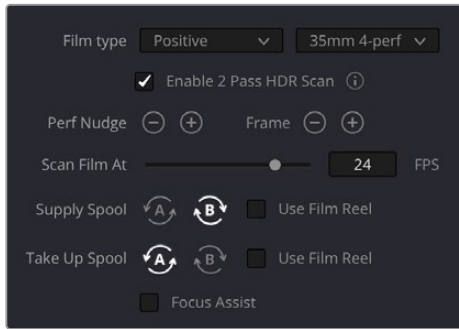


スタンダード8mmにおける適切なキャリブレーション

フィルムの種類

スキャンするフィルムの種類を選択できます。カラーおよび白黒フィルムでは、ポジティブ、ネガティブ、インターポジ、インターネガから選択できます。HDRスキャンでは、これらすべてのフィルムにおいて、より優れたスキャンが得られます。スキャンするフィルムの種類を、35mm (2、3、4パーフォーレーション)、16mm、スーパー8mm、8mmから選択します。スキャナーは、35mm、16mm、8mmのフィルムを自動的に検出します。8mmのスキャンでは、スーパー8mmがデフォルトに設定されています。通常の8mmをスキャンする際は、手動でフィルムの種類を設定する必要があります。

Cintel ScannerおよびCintel Scanner G2で、インターポジやインターネガをスキャンする際には、フィルムの密度が高いため光源のパルス時間を多少延長する必要があります。通常、これはスキャンに影響しませんが、スキャン速度が12fpsを超える場合、解像度が若干落ちることがあります。解像度に変化が見られた場合は、スキャンの速度を12fps以下に落としてください。



メディアページの「フィルムの種類」コントロール

HDRの2パススキャンを有効にする

HDRマルチパスキャプチャーを有効にします。選択したフレームにおける高い露出と通常の露出を確定するため、ダイナミックレンジが広いフレームで「自動ブラック」または「自動ホワイト」を実行することが重要です。

パーフォナッジ

スキャナーのゲートアパーチャーに対するパーフォレーションの位置の微調整に使用します。「Command + J」でナッジアップ、「Command + L」でナッジダウンします。

フレーム

これらのボタンは長押しして使用します。ボタンを押し続けるとフィルムのフレームがゆっくりと上下に動き、ボタンを放すとフィルムがその位置で止まります。これは、フィルムフレームをスキャナーのセンサーの位置に合わせる際に便利な機能です。「パーフォナッジ」ボタンと「フレーム」ボタンを使用することで、前のフレームの底部と次のフレームの上部がビューアの下上にわずかに見える状態で、現在のフレームが縦方向の中心になるように調整します。

これを行う際は、ビューアのイメージがズームになっていないことを確認してください。キーボードの「Command + 左矢印」、「Command + 右矢印」でもフレームを上下に動かせます。

スキャン速度

ディスク性能が十分であれば、30fpsでスキャン可能です。しかし、ハードドライブの速度が十分でない場合、スキャン速度を落として、ワークステーションがコマ落ちなしで対応できるフレームレートに設定します。

供給スプール

左側の供給スプールの巻方向を設定します。自動検出機能は誤操作を防ぎますが、各フィルムロールが巻かれた方向に基づいてリールの巻方向をマニュアルで設定してください。

巻取スプール

右側の巻き取りスプールの巻方向を設定します。自動検出機能は誤操作を防ぎますが、各フィルムロールが巻かれた方向に基づいてリールの巻方向をマニュアルで設定してください。

フィルムリールを使用

小型のフィルムリールは、大型のフィルムスプールとは重量や慣性が異なるため、トランスポートに影響を与えることがあります。このボックスにチェックを入れることで、小型のフィルムリールの安定性を改善します。

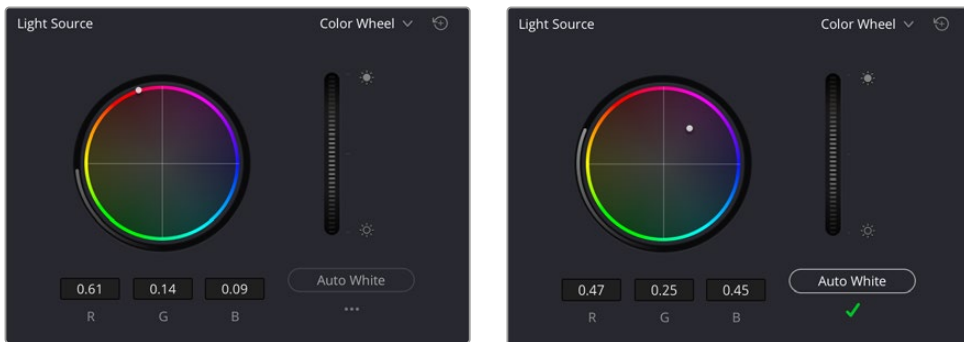
フォーカスアシスト

スキャナーのHDMIモニター出力およびDaVinci Resolveの「フィルムスキャナー」パネル内のビューアの輝度ピーキングを有効にすることで、最適なフォーカスを得るための調整が行いやすくなります。

光源の調整

これらのコントロールでは、Cintel Scannerの光源を最適なDmin（最低濃度）にキャリブレーションできます。Dminはスキャン信号の最低値であり、スキャンした素材の色温度でもあります。光源を適切に設定することで、スキャンを可能な限り高い品質にでき、スキャン中にイメージのデータがクリッピングしないようにします。フィルムを変更する際は、スキャンの品質を維持するために、光源の設定を確認することをお勧めします。

DaVinci Resolveに内蔵されたスコープは、光源を最適なレベルに設定するのに役立ちます。スコープを開くには、メディアページで「ワークスペース」>「ビデオスコープ」>「オン」を選択します。



「光源」コントロール。(左) 光源のキャリブレーションがされていないデフォルトの状態、(右) キャリブレーション後

光源マスターホイール

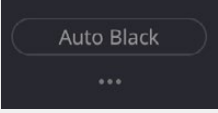
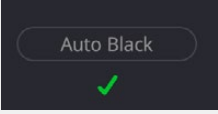
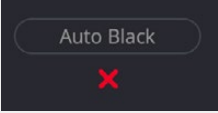
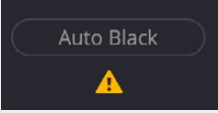
カラーホイールの隣にある縦方向の光源マスターホイールを使用すると、RGBチャンネルを連動して調整し、フィルムを照らす光源の強度を変更できます。この機能は、典型的なネガティブフィルムの最も暗い部分であるブラックポイントを調整できます。ネガティブフィルムのブラックポイントは、実際のフィルムイメージではハイライトにあたります。ビデオスコープのヒストグラムを見ながら、光源の強度を一般的なDmin値である95より少し上になるように調整すると、CineonスタイルのLOG変換時にハイライトがクリッピングされません。ポジティブフィルムでは、マスターホイールを調整することでイメージのいずれの部分もクリッピングされないようにします。

自動ブラックおよび自動ホワイトボタン

ビューアに現在表示されたフレームを分析し、枠の領域を使用して、ネガティブおよびインターネガのブラックポイントの設定を自動調整します。プリントおよびインターポジでは、イメージ部分の最も明るいハイライトを使用してホワイトポイントを設定するので、フレームの選択が重要になります。ポジティブフィルムでは、穴の空いたフレームをホワイトの最大値として使用して、後続のフレームすべてが準拠するようにします。ポジティブフィルムでは、「自動ブラック」ボタンは「自動ホワイト」に変わります。

光源ステータスインジケータ

自動ボタンの下にあるインジケータでは、「自動ブラック」や「自動ホワイト」を用いた光源のキャリブレーションが成功したか、対処すべき問題があるかどうかを確認できます。また、最高品質のスキャンを得る上で欠かせない、LED光源の再キャリブレーションを行う必要があることを知らせるリマインダーとしても機能します。

	光源のキャリブレーションが行われていません。
	光源のキャリブレーションが問題なく実行されました。
	光源のキャリブレーションに失敗しました。適切なフィルムの種類を選択したか、光路が遮られていないか、適切な参照フレームが選択されているかを確認してください。必要に応じて、フィルムを進めて、別の参照フレームを選択します。
	光源のキャリブレーションにより、カラーバランスが整いましたが、希望のレベルに調整されませんでした。これに対処するには、バランス調整したスキャンを使用し、DaVinci Resolveのカラーページでイメージを最適化するか、より広いダイナミックレンジでのキャリブレーションを行うために別の参照フレームを選択します。

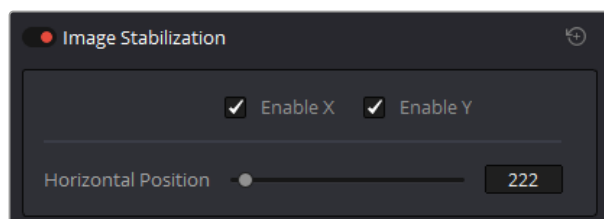
RGBコントロール

デフォルトでは、カラーバランスコントロールで、3つのカラーチャンネルすべてを調整することで、フィルムを照らす光源の色温度を変更できます。調整したR、G、Bの値は、下の3つのフィールドに表示されます。あるいは、このコントロールを「カラーバー」モードに変更することも可能です。「光源」タイトルバーの右にあるモードポップアップを使用して、コントロールを赤、緑、青の縦方向の3つのカラーチャンネルスライダーに変更できます。

メモ 光源のキャリブレーションは、ロールを変えても保存されます。これにより、SDRおよびHDRの両モードで、一回のキャリブレーションで複数のロールをスキャンできます。最後に行った光源のキャリブレーションは、新たにキャリブレーションを行うか、Cintel Scannerを再起動するまで保存されます。

スタビライズ

ここでは、イメージスタビライズを有効化/無効化、コントロールして、縦方向の揺れと横方向の蛇行を除去します。



メディアページの「スタビライズ」コントロール

スタビライズの有効化/無効化コントロール

「イメージスタビライズ」タイトルバーの左にあるドットは、スキャナーのハードウェアベースのイメージスタビライズをすべて有効化/無効化します。パフォーマンスの状態が良い場合は、概してハードウェアスタビライズが望ましいのに対し、パフォーマンスの状態が良くない場合は、このオプションをオフにして、代わりにDaVinciのソフトウェアベースのスタビライズを使用することも可能です。

イメージスタビライズを有効化すると、ビューアに横方向のX軸検出オーバーレイが表示され、スタビライズに使用するフィルムパフォーマンスのエッジがハイライトされます。このオーバーレイは、収録が始まると自動的に非表示になります。イメージスタビライズは、デフォルトで有効化されています。

X軸/Y軸を有効チェックボックス

「X軸を有効」と「Y軸を有効」では、フィルムの横方向の蛇行と縦方向の上下を、それぞれハードウェアスタビライズで修正するかどうか選択できます。両軸のスタビライズを有効にした結果に満足できない場合、問題の原因となっている軸のスタビライズを無効にし、代わりにDaVinci Resolveのソフトウェアベースのスタビライズを使用できます。

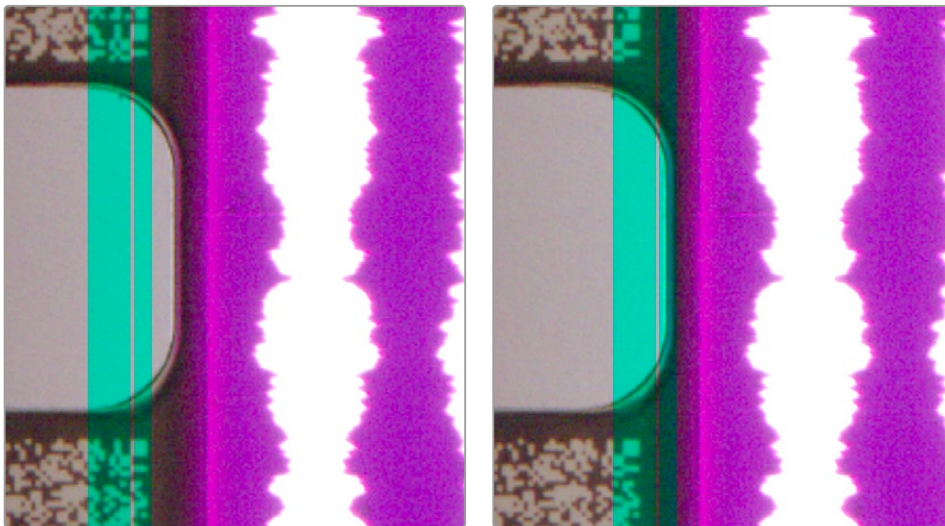
横の位置スライダー

Cintel Scannerはスタビライズを最適化するために、現在ロードされているフレームのパフォーマンス上の最適な位置に自動的にスタビライズ検出オーバーレイを表示します。

オーバーレイは、水色の透明のラインです。スタビライズを最適にするには、このラインがパフォーマンスのエッジに沿うように配置されている必要があります。自動配置が適切ではない場合、マニュアルでオーバーレイを適切な場所に移動させます。移動は、ビューアにマウスでドラッグするか、横の位置スライダーを使用して行います。

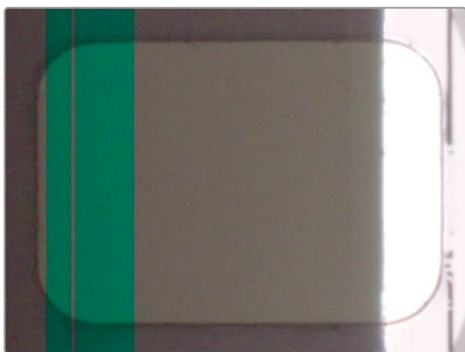
スタビライズのオーバーレイは、例のようにパフォーマンスのエッジにラインに沿うように配置されるのが理想的です。オーバーレイが正しく配置されると、ハードウェアスタビライズでX軸の蛇行が修正されます。

「Y軸を有効」チェックボックスを選択すると、イメージスタビライズはフィルムの縦方向の上下を自動的に補正します。それ以上の調整は必要なく、また横方向のスタビライズと連動して機能します。

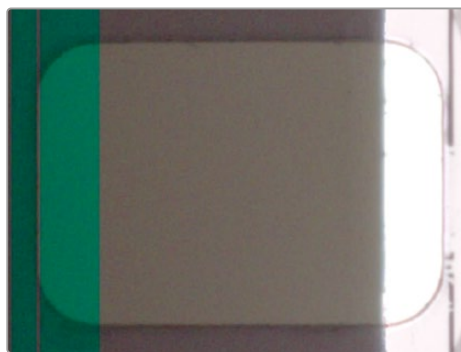


不適切にセットアップされた35mm。スタビライズオーバーレイを横方向に調整。パフォーマンスのエッジにオーバーレイが沿っていません。

適切にセットアップされた35mm。ビューアで、パフォーマンスに正確に配置されたハードウェアスタビライズコントロール。水色のラインのスタビライズオーバーレイがパフォーマンスのエッジに触れています。



不適切にセットアップされた16mm。パーフォレーションのエッジにオーバーレイが沿っていません。16mm用HDRスキッドプレートを取り付けると、スタビライズオーバーレイは、自動的にパーフォレーションの反対側に沿うように配置されるため、フィルムのイメージに影響を与えず、また横方向のスタビライズも向上します。HDRではない16mmスキッドプレートを使用している場合、35mmスキッドプレートと同様に機能します。



適切にセットアップされた16mm。スタビライズオーバーレイは、自動的にパーフォレーションの左端に沿うように配置されます。これは、イメージの内容による影響を受けません。緑色のラインのスタビライズオーバーレイが、適切にパーフォレーションのエッジに触れています。



不適切にセットアップされた8mm。オーバーレイがパーフォレーションのエッジに沿っていません。



適切にセットアップされた8mm。スタビライズオーバーレイは、自動的にパーフォレーションの左端に沿うように配置されます。これは、イメージの内容による影響を受けません。緑色のラインのスタビライズオーバーレイが、適切にパーフォレーションのエッジに触れています。

キャプチャーの前にスタビライズの設定を細かく確認するには、ビューアをフル解像度に設定し、パーフォレーションの領域にズームすることで微調整が可能です。ビューアの右上のオプション設定をクリックし、メニューから「フル解像度プレビュー」を選択し、ビューアの左上のズームコントロールをクリックして「100%」を選択します。この設定はスタビライズ機能には影響しませんが、スタビライズの機能状況をプレビューで確認する最適な方法です。

フル解像度でのプレビューはGPUに大きな負担がかかり、フレーム遅延が生じることがあります。パフォーマンスへの影響を考慮すると、スタビライズの確認後にフル解像度を無効にすることを推奨します。オーバーレイの位置は、クリップ設定ではなく、プロジェクト設定内に保存されるため、複数のロールでは個別の調整が必要になる場合があります。

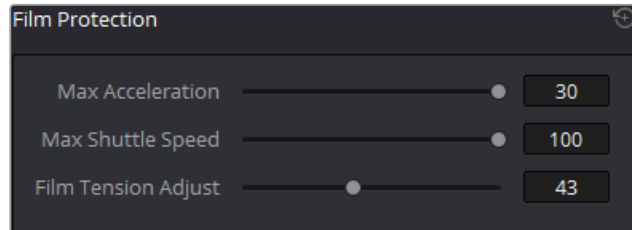
フィルムの種類それぞれのデフォルトの位置に、検知オーバーレイをリセットするには、スタビライズウィンドウのリセットボタンをクリックします。

オーディオ&同期

このパレットには、オプションのAudio and KeyCode Readerの設定が含まれます。詳細は「オプションのAudio and KeyCode Reader」を参照してください。

フィルムの保護

デリケートなフィルムのCintel Scannerでの扱い方を設定します。高速のスキャンおよびシャトルは、アーカイブフッターでは負担がかかり過ぎる場合があるので、古いフィルムを扱う際は、これらのスライダをデフォルトより低く設定することを推奨します。



古いフィルムやデリケートなフィルムを扱う際は「最大スキャン速度」および「最大シャトル速度」スライダーを低く設定

メモ 「フィルムテンション」スライダーは、スプロケットを搭載したCintel Scannerを使用している場合にのみ表示されます。

最大加速度

速度の最大変更値を毎秒単位で5～30fpsに設定できます。

最大シャトル速度

フィルム的一部分から別の部分に移動する速度を35mmでは1～100fps、16mmでは1～200fpsに変更します。

フィルムテンション

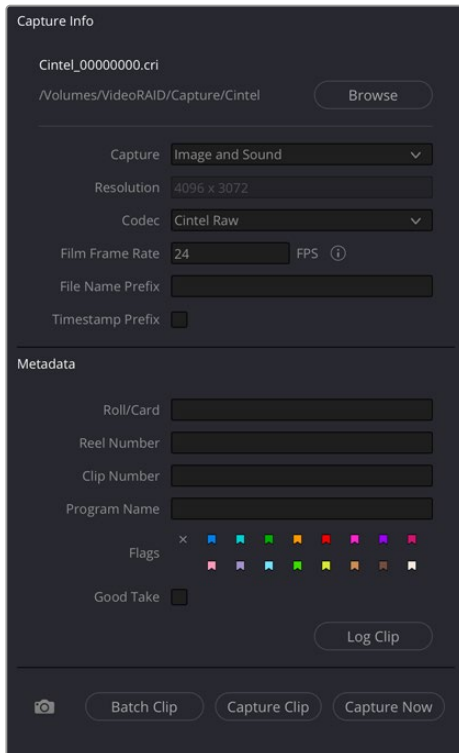
スプロケットホイールを搭載したCintel Scannerで、35mmフィルムのテンションを調整します。例えば、デリケートなアーカイブフィルムを扱う際や、フィルムの収縮を補うために使用します。「フィルムテンション」設定を用いることで、フィルムにダメージを与える可能性はありません。スプロケットの空回りを避けるため、調整の値は非常に小さく、極めてわずかな変更しか行いません。

キャプスタンを搭載したCintel Scannerでは、スプロケットの空回りは起きないため、この設定は無効になるか、表示されません。

キャプチャー情報およびメタデータの編集

Cintel ScannerをDaVinci Resolveと共に使用する場合、DaVinci Resolveの「フィルムスキャナー」パネルの下部に、キャプチャーメタデータのフィールドが表示されます。「キャプチャー情報」パネルには編集可能なメタデータフィールドがあり、ファイルの保存先、コーデックの種類、フレームレート、ファイル名のフォーマットなどのプロパティを表示します。これらのメタデータはクリップに付随し、メディアページで読み込めます。

スキャン開始前に、プロジェクト設定の一部を調整する必要がある場合があります。



「キャプチャー情報」パネルはスキャンしたクリップのメタデータを管理可能

キャプチャー先

フィルムスキャンを開始する前に、DaVinci Resolveの「フィルムスキャナー」パネルの「キャプチャー情報」セクションまでスクロールし、スキャンしたファイルが希望のディレクトリ/ボリュームに保存されるように設定します。「ブラウズ」ボタンをクリックして、「ファイル保存先」ダイアログから保存先を選択します。この作業は忘れやすいため、先に行っておくとよいでしょう。

キャプチャー

Audio and KeyCode Readerを取り付けている場合、このメニューにはイメージがキャプチャーされない「サウンドのみ」と、「イメージ&サウンド」のオプションが表示されます。オーディオをキャプチャーする必要がない場合は、「イメージのみ」を選択します。

解像度

キャプチャーしたファイルの解像度は、ソースフィルムのフォーマットにより異なるため、このフィールドは編集できません。

コーデック

ロスレス圧縮には「Cintel Raw」コーデックがデフォルトで選択されています。さらに小さなファイルサイズを希望する場合は、「Cintel Raw 3:1」を選択できます。

フィルムフレームレート

オリジナルの撮影に使用したフィルムレートを入力します。DaVinci Resolveは、この値に基づいてタイムラインのフレームレートを自動的に調整します。この設定は、キャプチャーやトランスポート速度には影響を与えません。

オーディオのスキャンにオプションのAudio and KeyCode Readerを使用する場合は、全体のサンプルレートを48kHzに保つためにフレームレートが自動的に調整されます。タイムコード出力は、16、24、25、30fpsをサポートしています。他のフレームレートには、タイムコード信号は出力されません。

ファイル名のプレフィックス

スキャンを特定するのに役立つプレフィックスです。これは、スキャンしているフィルムタイトルのなど、プロジェクトの名前を使用できます。

タイムスタンプ プレフィックス

タイムスタンプ、および「ファイル名のプレフィックス」で指定したプレフィックスをスキャンの前に付けます。クリップは、指定のフォルダーの中の独立したサブフォルダーに保存されます。このチェックボックスはデフォルトで選択されています。

ファイル名にタイムコードを付けずに、全てのクリップを1つのマスターフォルダーに保存したい場合はチェックを外します。

メモ タイムスタンプのプレフィックスを付けた独自のファイル名にせずに、同じ場所にファイルが保存された場合、ファイルが上書きされる可能性があります。

ロール/カード、リール番号、クリップ番号、プログラム名

これらのメタデータを使用してクリップを特定します。

フラグ

フラグを色別に使用し、クリップにタグを付けられます。

グッドテイク

メディアプールの「マーク付きテイク」メタデータに対応します。

ログ

クリップをメディアプールに追加します。スキャンしたい部分をイン点とアウト点でマークし、メタデータが正確であることを確認した後、「ログ」をクリックします。詳細は、DaVinci Resolveマニュアルの「単一クリップのロギングとキャプチャー」および「複数クリップのロギングとキャプチャー」セクションを参照してください。

バッチキャプ、指定キャプ、キャプチャー、スナップショット

これらのボタンで、クリップをキャプチャーする方法を指定します。ボタンに関する詳細は「単一/複数セクションのフィルムをスキャン」セクションを参照してください。

フィルムスキャンワークフロー

以下のセクションでは、DaVinci Resolveを使用したフィルムスキャン方法とCintel Scannerの操作方法を説明します。前のセクションで説明した機能は、スキャンの手順に沿って説明されています。

作業を始める前に

スキャナーの電源を入れてフィルムをロードする前に、ゲートの埃を払ってクリーンにスキャンできるようにします。圧縮空気で埃を払えますが、ゲートが非常に汚れている場合は取り外して掃除してください。ゲートの掃除が終わったら、Cintel Scannerの電源を入れ、DaVinci Resolveを開いてフィルムスキャン用のプロジェクトを作成し、メディアページの「Cintelスキャン」ボタンをクリックします。その後、「フィルムスキャナー」タブをクリックして、DaVinci Resolveの「フィルムスキャナー」パネルを選択します。

スキャナーにフィルムを装填したり、その他のタスクを実行する前に、「フィルムスキャナー」パネルの左下にある「キャリプレート」ボタンを押します。新しいフィルムリールをロードする前に、必ずスキャナーのゲートの埃を払う必要がありますが、「キャリプレート」ボタンを押すとスキャナーのオプティクスを取り除かない汚れやシミなどをスキャンから除外できます。

フィルムのローディングと配置

スキャンするフィルムをローディングします。イメージが認識されると、スキャナーが自動的にフレームの配置を行います。空白のフィルムのリーダーがロードされている場合、イメージが正しくフレームに表示されない可能性があります。

次にフィルムの種類を選択します。必要に応じて、「パーフォナッジ」と「フレーム」ボタンを使用して、フレームバーと呼ばれるフィルムの継ぎ目が、スキャナーのセンサーに対して適切に配置されるようにマニュアルで調整します。これは、前のフレームの底部と次のフレームの上部がビューアの上下にわずかに見える状態で現在のフレームが縦方向の中心になるように調整します。これを行う際は、ビューアのイメージがズームになっていないことを確認してください。

スキャナーのフォーカス

カメラのレンズのフォーカスと同様に、スキャナーのセンサーに投影されるフィルムのイメージのフォーカスも合わせる必要があります。完璧なフォーカスを得るには、DaVinci Resolveのフィルムスキャナーのキャプチャー設定の「フォーカスアシスト」を有効にします。これにより、スキャナーのHDMI出力のUltra HDイメージ上にフォーカスピーキングのオーバーレイが表示されます。また、DaVinci Resolveのキャプチャーウィンドウにも同様に表示されます。Ultra HDディスプレイをCintel Scannerに接続すると、可能な範囲内で最大の解像度でモニタリングできるので最適なフォーカスが得られます。

フォーカスアシストを有効にした状態で、フィルム面にフォーカスが完璧に合っていると、フォーカスピーキングがスキャンされたイメージのフィルムグレインを検出します。これにより、フィルムイメージのフォーカスが合っていない場合でもスキャナーのフォーカスを合わせられます。Cintel Scannerのフォーカスホイールを回しながら、スキャナーのUltra HD出力をモニタリングするだけで調整できます。イメージのグレインの輪郭にピーキングの縁取りが満遍なく表示されていると、フォーカスが合っていることを意味します。

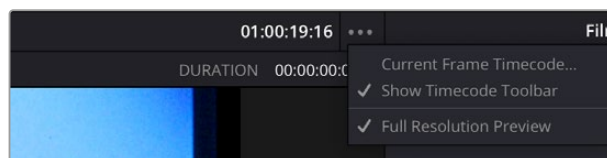
フォーカスの調整は、フィルムのパーフォレーションの端をチェックすることで確認できます。ここがシャープだと、フィルムのフォーカスが合っています。

タイムコードのリセット

スキャンするフィルムロール用にタイムコードを設定するには、該当ロールのゼロフレームを決める必要があります。慣例的には、ロール上の必要なフィルムの最初のフレームの前のフレーム内に、物理的に小さな穴を開け、そのロールのスキャンにあたっての不変のリファレンスとして使用します。これはマーカーフレーム、ラベルロールホール、ヘッドパンチなどと呼ばれます。タイムコードの最初のフレームをマーカーフレームと常にマッチするよう設定することで、それに続くフィルムスキャンは前回のスキャンと同一のフレームカウントとなるため、同一の素材をいつでも必要な時に再スキャン・再コンフォームできます。

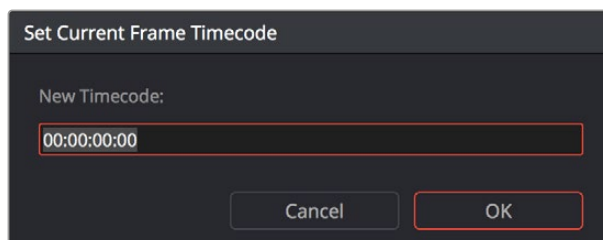
スキャンしたタイムコードを新しいフィルムロールのマーカーフレームにリセットする：

- 1 ビューア下のトランスポートコントロールを使用して、マーカーフレームを設定します。
- 2 ビューアオプションメニューをクリックして、「現在のフレームのタイムコード」を選択します。



ビューアオプションメニューから現在のフレームのタイムコードを選択

- 表示されたダイアログボックスにタイムコードの値を入力します。例えば、プロジェクトの最初のロールをスキャンしている場合、01:00:00:00と入力します。



「現在のフレームのタイムコードを設定」ダイアログボックス

- 完了したら「OK」をクリックします。

タイムコードには負の値は使用できません。開始フレームをゼロに設定しないでください。別の一般的な管理テクニックとしては、ロールを変える際にフィルムのロール番号と一致するように時間の数値を変更する方法があります。この方法は、スキャン元のロールおよびフレームレンジにスキャンしたクリップを簡単に一致させることができます。

Cintel Scannerには「Options Interface (オプションインターフェース)」のポートがあるので、将来的にハードウェアを追加する際に使用できます。これにより、カメラネガティブのKeyCodeや、光学/磁気オーディオを読み取るオプション機能を追加できます。詳細は「オプションのAudio and KeyCode Reader」を参照してください。

スキャンしたフレームの保存場所を選択

これらすべてが完了したら、DaVinci Resolveの「フィルムスキャナー」パネルの「キャプチャー情報」コントロールにスクロールして「ブラウズ」ボタンをクリックし、スキャンしたファイルの保存場所を選択します。このセクションの他のフィールドで、スキャンしたファイル名やフォルダー名に追加したいプレフィックスを設定できます。「ファイル名のプレフィックス」は、ヘッダーの上部に表示されるファイル名のプレビューを更新します。ヘッダーには、ファイルパス、解像度、フレームレート、フィルムの継続時間、フォーマットも表示されます。また、スキャンしたメディアに関するロール、リール、クリップ、プログラムの情報を指定して追加できます。デフォルトでは「キャプチャー情報」コントロールの「タイムスタンプ プレフィックス」が有効になっており、指定のフォルダーの中のサブフォルダーにクリップを保存します。ファイル名には、タイムコードのプレフィックスが追加されます。

全てのクリップを1つのフォルダーに保存したい場合はチェックを外します。

HDRクリップのキャプチャーでは、高い露出のスキャンが終了すると、標準のスキャンが保存されているフォルダーの中にある「.HDR」という名前の隠しフォルダーに高い露出のスキャンが保存されます。「.HDR」フォルダーを削除すると、メディアストレージで更新され、メディアプールにクリップが再度読み込まれた後、スキャンは通常のクリップに変換されます。これは、簡単に標準のCRIクリップに変換できるため、HDR部分のスキャンに問題がある場合には便利な機能です。

コーデックのチェック

DaVinci Resolveでは「Cintel Raw」コーデックがデフォルトで選択されています。他のオプションとして「Cintel Raw 3:1」も選択できます。

Cintel Rawフォーマット

Cintel Scannerのセンサーでスキャンされた各フィルムフレームのCintel Rawフォーマット・ベイヤーパターンは、エンベッドされたスキャナーメタデータと共に、12-bitリニアCintel Raw Image (CRI) イメージシーケンスとして保存されます。DaVinci Resolveでグレーディングする際、CRIは12-bitのLogエンコードイメージデータとして自動的にディベイヤーされます。

Logエンコーディングは、Cineonエンコーディングと似ていますが同一ではありません。例えば、ネガティブフィルムは密度にガンマ2.046を使用してエンコードされますが、プリントフィルムはイメージデータがクリッピングしないよう、ガンマ2.2カーブの全域を使ってエンコードされます。これらのLogエンコーディングは、他のカラースペースへ変換する前に、「Cintel to Linear」1D LUTを使用してリニアカラースペースに変換できます。

フィルムは、4096x3072のフルセンサーアパーチャーでスキャンされます。これにより、光学オーディオの波形や、スタビライズのためのパーフォーレーションが見えるようにキャプチャーされます。その後、イメージはクロップされます。オーバースキャンのパーフォーレーションやオーディオ領域を除去した後のファイルの解像度は、ソースフィルムのフォーマットにより異なります。異なるタイプのフィルムのスキャン解像度に関しては、「仕様」セクションを参照してください。

Cintel Scannerは、可変ビットレートのロスレス圧縮Cintel Rawファイルをデフォルトで作成します。これは、視覚的ロスレスの圧縮で、イメージによりますがファイルサイズを約3:2に縮小できます。しかし、Cintel Raw 3:1は、約3:1のロッキー圧縮を使用します。これも非常に高品質ですが、必ずしも視覚的にロスレスとは限りません。例えば、4つのパーフォーレーションの35mmフィルムのファイルは、Cintel Rawでは約12.5MBですが、Cintel Raw 3:1では約6.3MBです。16mmフィルムのファイルは、Cintel Rawでは約4MBですが、Cintel Raw 3:1では約2MBです。

CinemaDNG品質設定

CRIファイルの品質は、プロジェクト設定の「カメラRAW」にあるCinemaDNG設定の「デコード品質」および「再生画質」でコントロールできます。これらの設定は、デフォルトでは「フル」になっています。プロセッサ処理能力の低いコンピューターやメモリーの少ないコンピューターでは、これらの設定を下げることも可能ですが、最終レンダリングの質に影響が出ます。

タイムライン解像度の設定

DaVinci Resolveは、タイムラインと同じ解像度でスキャナーからの出力を表示およびレンダリングします。例えば、4つのパーフォーレーションの35mmフィルムでは、最大解像度に4096x3072のカスタム解像度が必要です。

メモ タイムラインがHDRに設定されており、Ultra HDでの書き出しにセットアップされている場合、解像度が失われる可能性があります。

すべてのフィルムゲージのクロップされたイメージ領域の解像度に関しては、「仕様」セクションの「有効解像度」を参照してください。また、キャプチャーしたクリップのフルネイティブ解像度は、DaVinci Resolveの「クリップ属性」で確認できます。

スキャナーのカラー調整

DaVinci Resolveの「フィルムスキャナー」パネルで、スキャン時にフィルムに当てる光の露出や色温度をコントロールできます。これらは「光源」マスターホイールおよび「RGB」コントロールで調整でき、各フレームから最大限の情報を抽出する一方、イメージのあらゆる部分が修復不能なほどクリッピングされることを防ぎます。CRIがRAWイメージフォーマットであることは事実ですが、DaVinciで使用される内部データレンジ以上のラティチュードが存在しません。このため、スキャン中に内蔵ビデオスコープでデータをクリッピングする場合、スキャンメディアで永久的にクリッピングされる可能性があることに注意してください。

スキャンしたショットの色や露出を調整する頻度は、特定のフィルムロールのシーンにどれほどの多様性があるかにより異なります。例えば、ロールに同一シーンのテイクが多数含まれており、すべてのテイクで同一の照明が使用されている場合、同じ調整を共有できます。

これに対し、シーンごとに大きく異なる照明が使用されているロールでは、スキャンしたクリップを個別に調整してデータ品質を最大限にする必要があります。

「光源」マスターホイールおよび「RGB」コントロールは、ログ&キャプチャーワークフローでスキャンしたクリップ間で自動的に変更されないため、これは非常に重要です。つまり、マニュアルで再度変更しない限り、現在の光源設定はスキャンするすべてのクリップに使用されることを意味します。これは、フィルムロールの異なる部分からログしたクリップでも同じです。ログ&キャプチャースタイルは、同一の「光源」マスターホイールおよび「RGB」コントロールの調整を共有する複数のクリップをログすることが理にかなっている状況にのみ適しています。

それ以外の状況では、フィニッシング作業に最高レベルの品質が求められる場合、各クリップのスキャンの際にそれぞれ照明を調整することを推奨します。これは、クリップの最終的なルックを作成するのではなく、スキャンしたイメージデータを最大限にすることを目的にしています。最終的なルックはグレーディングの段階でカラーページのコントロールを使用して作成します。

光源設定の調整は、スキャンするロールのセクションまたは最初の連続したショットの代表的なイメージを見つけて、内蔵のビデオスコープで確認しながら光源を調整します。

「光源」マスターホイールを調整すると、RGBチャンネルが連動して上下し、フィルムに当てる光源の強度を設定します。典型的なカメラネガティブでは、これによりフィルムイメージの最も暗い部分であるブラックポイントが調整できます。ネガティブプリントでは、イメージ中の最も暗い部分は実際のフィルムイメージではハイライトにあたります。ビデオスコープのヒストグラムを見ながら、「光源」マスターホイールを一般的なDmin値である95より少し上に設定すると、DaVinciがグレーディング用のCRIイメージのディベーターに使用するCineonスタイルのLOG変換時にハイライトがクリッピングされません。ポジティブフィルムでは、「光源」のレベルをマニュアルで調整することで、信号内のハイライトやシャドウのいずれの部分もクリッピングが生じません。通常、10-bitでは1000、12-bitでは4000です。

波形、RGBパレード、ヒストグラムスコープで「参照レベルを表示」を有効にし、デジタルDmin値の95を表示するよう「低」の値に設定します。

次に「RGB」コントロールを調整して3つのカラーチャンネルの値を変えることで再バランスし、フィルムに当てる光源の色温度を変更することで、スキャンで最も適切でニュートラルなカラーバランスが得られます。

単一/複数セクションのフィルムをスキャン

光源を調整したら、各クリップをスキャンしながら、すべての関連メタデータを「メタデータ」エディターに入力することで系統的に作業が進められるので推奨されます。メタデータフィールドの「キャプチャー情報」グループには、ファイル名プレフィックス、ロール、リール番号、クリップ番号、プログラム名、フラグ、テイクに関する情報が含まれています。クリップのスキャン前にこれらのフィールドを入力する場合、そのメタデータがクリップに記録されます。

「キャプチャー情報」パネルの下部には、スキャン方法を指定する4つのボタンがあります。

すべて完了したら、以下の4つのいずれかの方法でフィルムをスキャンします。

キャプチャー

「キャプチャー」ボタンを使用すると、リールの長いセクションを一度にキャプチャーできます。「キャプチャー」をクリックすると、現在のフレーム付近からスキャンが始まり、「停止」をクリックするまで継続されます。

「HDRの2パススキャンを有効にする」が選択されている状態で、キャプチャー開始後に「HDRをキャプチャー」をクリックすると、必要な箇所の最後に到達したことをDaVinci Resolveが認識し、高い露出のパスでのキャプチャーを開始します。「HDRをキャプチャー」をクリックせずにリール全体をスキャンすると、スキャンを開始した場所から高輝度スキャンを自動的に実行し、リールの最後に達した時点で停止します。

指定キャプ

特定部分のフィルムをスキャンするために使用する機能です。トランスポートコントロールおよび、イン点とアウト点でフィルムの必要な部分を特定した後、「指定キャプ」をクリックすると、1クリップだけスキャンして停止します。

「HDRの2パススキャンを有効にする」が選択されている場合の高輝度HDRスキャンでは、最初のスキャンと同じイン点とアウト点が使用されます。

バッチキャプ

DaVinci Resolveの「フィルムスキャナー」パネル上で、同じ光源設定を使用して複数のクリップを一度にスキャンする際に、事前に複数のクリップのログが行えます。事前に各クリップのログを行うには、スキャンしたいフィルムの各セクションをイン点とアウト点で指定し、「ログ」ボタンをクリックして、メディアプールにスキャン前のクリップとしてフレームレンジを保存します。「バッチキャプ」をクリックすると、すべてのスキャン前のクリップが順番にひとつずつスキャンされます。スキャン前のクリップは、単一または複数を選択でき、選択されたクリップだけがスキャンされます。加えて、特定のフィルムロールに対応するEDLを読み込み、ログされたクリップをスキャンに使用することもできます。

メモ 「ログ」ボタンをクリックすると、Cintel Scannerはバッチ内の全クリップに同じプロジェクト設定を適用し、キャプチャー時における最新のプロジェクト設定を使用します。バッチでのキャプチャーを始める前にスキャナーの設定を確認することをお勧めします。

「HDRの2パススキャンを有効にする」が選択されている場合の高輝度HDRスキャンでは、最初のバッチでのスキャンと同じイン点とアウト点が使用されます。

バッチでのキャプチャーのワークフローに関しては、DaVinci Resolveのマニュアルの「テープからの取り込み」を参照してください。

📷 スナップショット

標準の露出で現在のスキャナー設定を用いて、単一のフレームをキャプチャーします。

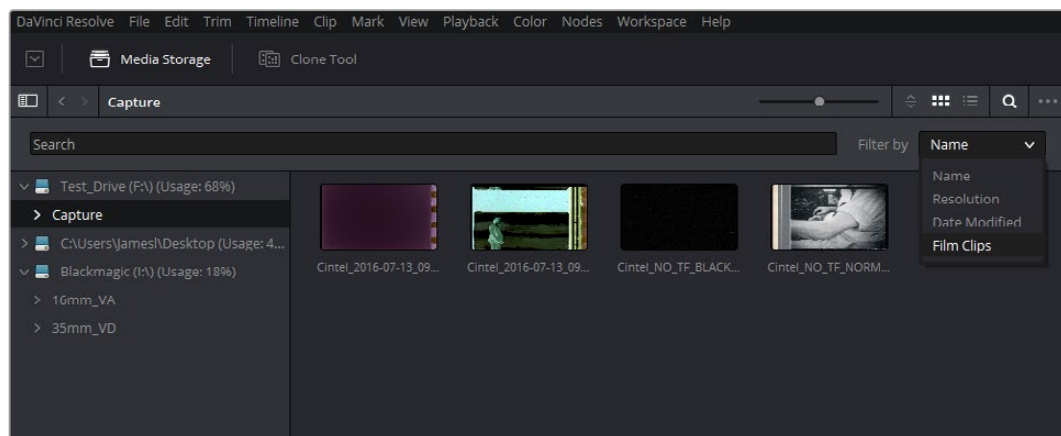
スキャン中、現在選択されている速度に対してストレージの帯域幅が低すぎるとDaVinci Resolveが検知した場合、キャプチャーを正しく行うためにスキャン速度が自動的に調整されます。オプションのAudio and KeyCode Readerを使用している場合、選択したオーディオ品質を保つためにオーディオのサンプルレートも調整されます。

オーディオの抽出

スキャンするフィルムに光学式サウンドトラックが含まれている場合、オーディオを別ステップで抽出できます。イメージフレームに対してオーディオフレームが、16mmで26フレーム、35mmで21フレーム先行していますが、オーディオの抽出時にDaVinciが自動的に調整します。光学式サウンドトラックを含むすべてのクリップを選択し、そのうち1つを右クリックして「オーディオの抽出」を選択します。Resolveは、各フレームの光学式トラックのオーバーラップする領域を分析し、マッチするオーディオトラックを自動的に生成して、スキャンしたイメージシーケンスに同期します。

各クリップのオーディオは自動的に抽出されてクリップにエンベッドされ、スキャンしたフレームが書き込まれたディレクトリに保存されます。クリップのサムネイルに小さなオーディオのアイコンが表示されるので、対応するオーディオファイルがあることが確認できます。

メディアストレージで、名前、解像度、変更日、フィルムクリップでフィルターにかけることで、抽出作業が効率化できます。フィルターをかけることで、必要なものだけを検索・選択しやすくなります。また、幅広いセクションの作成や、複数のクリップからのオーディオの一括抽出には、選択部分を右クリックし「オーディオの抽出」をメニューから選択します。オーディオ抽出時は、進捗状況を示すウィンドウが表示されます。「停止」ボタンを押すといつでも抽出を停止できます。



メディアストレージでフィルターをかけて管理を簡素化

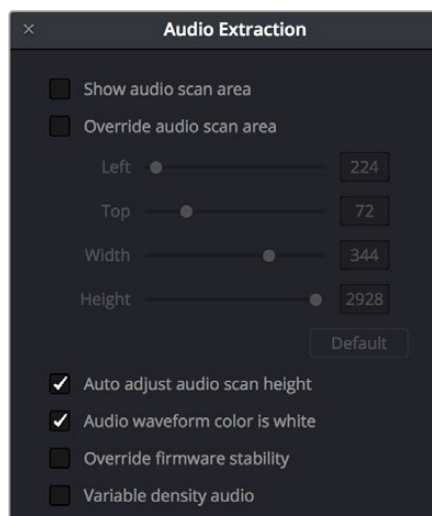
クリップがスキャンされた時に「キャプチャー情報」セクションの「タイムスタンプ プレフィックス」のチェックボックスが選択されていない状態で、抽出したオーディオを自動的にクリップにエンベッドしたい場合、必ずメディアプール内のクリップからオーディオを抽出してください。

オーディオ抽出設定

通常、フィルムの種類を選択するとDaVinci Resolveの自動機能が光学オーディオを完璧に抽出します。しかし、ロードされたフィルムの状態によって光学トラックの状態が異なることがあり、場合によっては自動機能が正常に働かないことがあります。このような場合、自動機能を回避してマニュアルで調整できます。



マニュアルでの調整は、ビューアの上にあるインスペクタオプションの「Cintelオーディオ設定を表示」をクリックして、「オーディオ抽出」設定ウィンドウを開きます



「オーディオ抽出」設定は、必要に応じてマニュアル調整が可能

オーディオ抽出設定では、以下のマニュアル調整が可能です。

オーディオスキャン領域を表示

このチェックボックスでオーディオスキャン領域のガイドをオン/オフにできます。このガイドは、フレームの横、光学オーディオのスキャン領域上に表示されるボックスで、抽出時に使用される光学情報を表示します。ガイドは、選択したフィルムの種類に応じて配置されますが、必要に合わせてマニュアルで位置を変更できます。オーディオスキャン領域のガイドは、抽出処理中に起きていることを表示するので、潜在的な問題を特定してマニュアルで調整を行うための指針としても使用できます。

ボックスの中には細い赤いラインがあります。このラインは、ステレオオーディオチャンネルの分離点を検出する中間点検出ラインです。オーディオ抽出中にモノサウンドが検出された場合、中間点検出ラインは消え、ガイドは光学モノトラックの幅に合うように自動的に調整されます。

作業のこつ オーディオスキャン領域ガイドは、ビューアをズームしたり、ビューアの位置を前後左右に動かすことで詳細な確認作業が行えます。ビューアの左上のサイズ調整のオプションからズームの倍率を指定し、マウスやトラックパッドなどでビューアをクリック&ドラッグします。



「オーディオスキャン領域の表示」が有効になっているとオーディオ領域のガイドが表示され、使用されている情報の確認や抽出状態のモニタリングが可能

オーディオスキャン領域のオーバーライド

この設定からオーディオスキャン領域ガイドの縦横の位置調整、幅および高さの調整ができます。

以下の設定項目があります：

左および幅

オーディオがフレームの右側にあるフィルムの場合、「左」スライダーを調整することでオーディオスキャン領域ガイドを右に移動できます。通常、フィルムの種類が選択されると自動的にガイドの位置が調整されますが、必要に応じて、この設定で更に細かな調整ができます。同様に「幅」設定ではスキャン領域ガイドの幅が調整できます。

これらの設定は、フィルムの光学オーディオ領域に不要な要素が含まれている場合にガイドの枠の両端を微調整するのに便利なツールです。これは、パーフォレーションの損傷やプリントの質によって起こり、オーディオ抽出の質に影響を与えることもあります。この問題は、ガイドの両端を微調整して、不要なオーディオ要素をガイドの枠外にすることで解決できます。

上

ガイドの縦方向の位置調整ができます。

高さ

時間の経過によりフィルムは収縮するので、古いロールのフレームは通常より若干小さいことがあります。マニュアルでガイドを調整する際に、「高さ」スライダーを使用するとフィルムの収縮具合に合わせて調整できます。

オーディオスキャンの高さの自動調整

デフォルトはオンです。自動的にガイドの高さを調整し、各フレームの上部のオーディオ波形に合わせてみます。この自動機能はオーディオが正常な場合に効果的です。しかし、抽出の際にガイドがランダムに動き、抽出の品質に影響を与える場合は、フレーム間でオーバーラップするオーディオトラックに、類似した要素があることが原因している可能性があります。このような現象が起きた場合は、チェックボックスを外し、抽出を再度行います。

「オーディオスキャンの高さの自動調整」チェックボックスが選択されていない場合、「高さ」設定でガイドがフレームの適切な場所に配置されるようにしてください。必要に応じてマニュアル調整を行うのは効果的ですが、作業後は自動調整機能を有効にするのを忘れないでください。

オーディオ波形が白

オーディオ波形の色は黒か白のどちらかで、スキャンするフィルムの種類により異なります。波形が白の場合は、必ずこのチェックボックスを有効にします。これにより、波形の白色の情報がオーディオ抽出の際に使用されます。波形が黒で、オーディオ領域の周囲の色が白の場合は、チェックボックスを無効にします。これにより、DaVinciが波形の黒色の情報を使う必要があることを認識します。中間点検知やモノ検知などのその他の自動機能も、この設定が正しく行われていることで適切に動作します。

ファームウェア スタビライズのオーバーライド

稀にフィルムの状態によっては、内蔵のファームウェア・スタビライズに起因してフレームが大きく動くことがあります。これにより、オーディオ抽出ガイドが光学トラックに正しく配置されない場合があります。このような場合は、「ファームウェア スタビライズのオーバーライド」を有効にすると、ガイドがフィルムのパーフォレーションをそれぞれ追っていき、位置を調整するのでより良質な抽出が行えます。

濃淡式オーディオ

フィルムに濃淡式オーディオが含まれている場合は、「濃淡式オーディオ」チェックボックスを有効にします。これにより、抽出するオーディオの種類をDaVinci Resolveが認識できます。デフォルトは可変面積式オーディオなので、「濃淡式オーディオ」の設定はオフになっています。

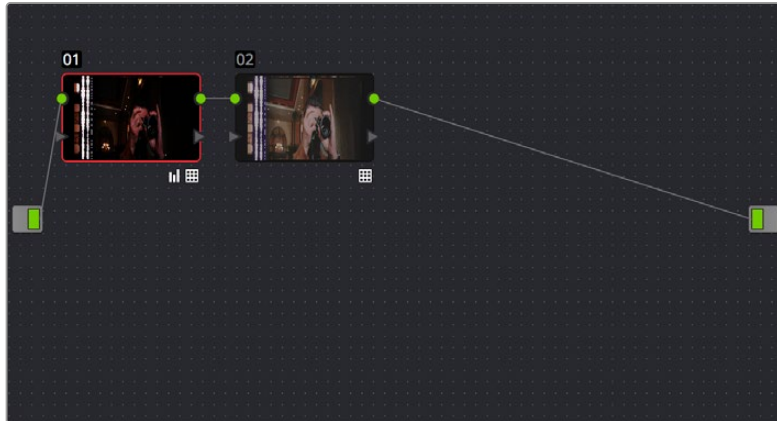
濃淡式オーディオは陰影のある線の連続で、圧縮されたバーコードの線のように見えます。可変面積式はオーディオの波形のように見えます。

カラースペースとサイズ調整

スキャンしたメディアのカラースペースを変換して、さらなる作業を行うために、「Cintel Negative to Linear」と「Cintel Print to Linear」から成る一対の1D LUTが搭載されています。カラーページのノードで、これらのLUTを適用することで、オリジナルのスキャンをリニアカラースペースに変換できます。イメージをRec.709またはCineonに変換して調整したい場合は、2つ目のノードで2つ目のLUTを適用できます。プリントのデフォルトのカラースペースはガンマ2.2標準Logカーブで、その他すべては2.046フィルム濃度Logガンマです。

一般的にネガティブフィルムでは、2つ目のLUTを適用後に「カラーの反転」を実行すると良いでしょう。さらに通常、リニアデータを目的のカラースペースに正しく変換するには、多少のグレーディングを行って、Dminによるブラックオフセットを除去する必要があります。各ノードのコンテキストメニューに含まれる「3D LUT」サブメニューの様々なVFX IO LUTのオプションを使用して、リニアカラースペースのイメージを他のあらゆるカラースペースに変換できます。

詳細は、DaVinci Resolveマニュアルの「LUTの使用」の「LUTをノードで適用」セクションを参照してください。

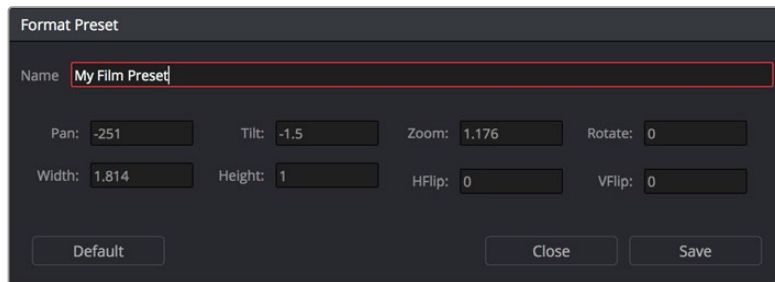


3つのノードでLUTを使用してフィルムスキャンを変換。ノード1でネガティブまたはプリントからリニアに変換し、ノード2でリニアからRec.709に変換して、ノード3ではカラーを反転

ノード内でLUTを適用すると、0~1以外のイメージデータ値はクリッピングします。クリッピングを防ぐには、LUTを適用したノードのリフト/ガンマ/ゲインをコントロールして、LUT変換の前にイメージレベルを調整します。

スキャンするフィルムのフォーマットだけでなく、コンテンツが撮影された方法もフレーミングに影響します。スキャンしたクリップの最終的なフレーミングは、リサイズ、ズーム、ストレッチ、パン、ティルトなどで調整できます。カラーページの「サイズ調整」パレットにある入力サイズ調整モードでは、必要なフレーミングを作成できます。調整したサイズをプリセットとして保存するには、メニューを開き、「新規プリセットとして保存」を選択し、プリセット名を入力します。

特定の種類のメディアに対して適切なサイズ調整プリセットを作成したら、そのプリセットを複数のフィルムスキャンに同時に適用できます。この作業は、カラーページまたはメディアプールでクリップを選択し、コンテキストメニューの「入力サイズ調整プリセットを変更」コマンドを選択して実行できます。サイズ調整に関する詳細は、DaVinci Resolveマニュアルの「サイズ調整とイメージスタビライズ」チャプターを参照してください。

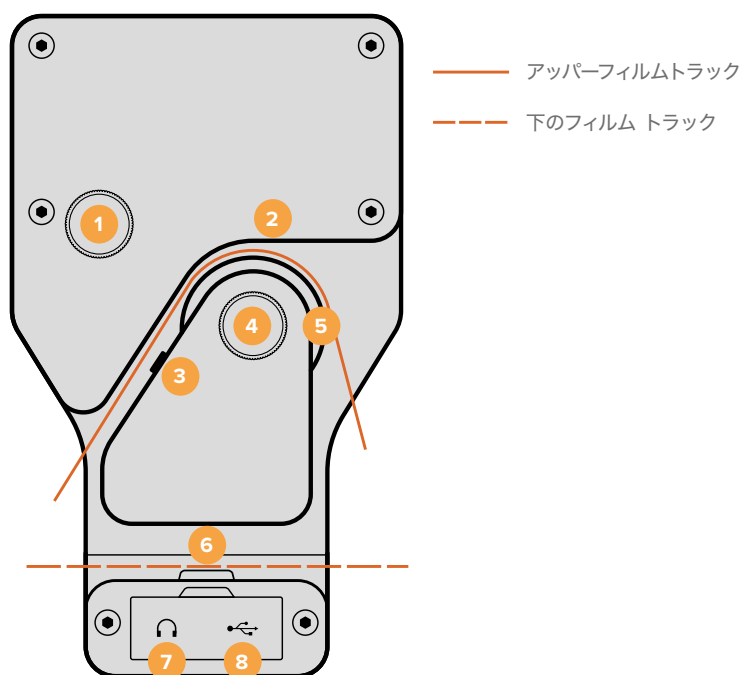


カラーページの「サイズ調整」パレットでサイズ調整プリセットを作成

オプションのAudio and KeyCode Reader

オプションのAudio and KeyCode Readerを使用すると、Cintel Scannerで35mmおよび16mmフィルムの光学または磁気サウンドトラックをキャプチャーできます。サウンドトラックは様々な速度でキャプチャーでき、リアルタイムより速いまたは遅い速度から選択できます。また、リールやフィルムストックのフレームの位置に関するKeyCodeの情報もスキャンできます。

リーダーの各部の名称は下記の通りです。



- 1. 光学オーディオトラッキングノブ 2. 磁気オーディオヘッド 3. 光学オーディオスキャナー
- 4. キャプスタンローラー・クリーニングノブ 5. キャプスタンローラー
- 6. KeyCodeスキャナー 7. ヘッドフォン・ポート 8. USBファームウェア・ポート

リーダーの上部にフィルムを通すと、フィルムの光学または磁気サウンドトラックが抽出できます。

リーダーの下部にフィルムを通すと、KeyCodeの情報のキャプチャーが行えます。ネガティブ・フィルムストックでは、KeyCodeのデータはパーフォレーション領域の近くにあり、一般的にリール内のフレームの位置、フィルムロールの特定に役立つ情報に加え、フィルムストックの種類などの付加的な詳細情報のデータを含みます。スキャンされた情報はメタデータとしてCintel Rawの各フレームに保存されます。

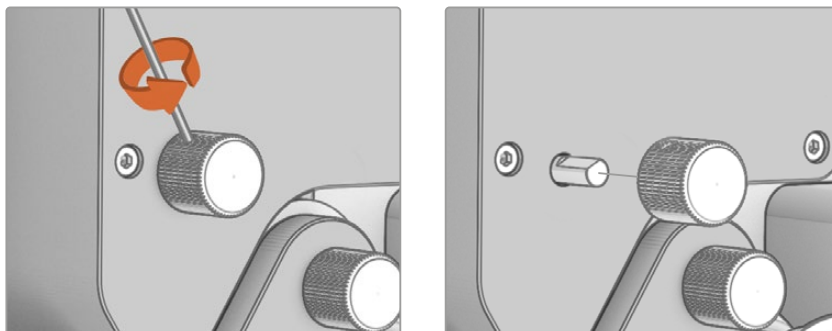
作業のこつ Cintelスキャナーは、Audio and KeyCode Readerを取り付けていない状態でも光学サウンドトラック情報のキャプチャーが可能です。フィルムのスキャン後、DaVinci Resolveの「フィルムスキャナー」パネルの「オーディオの抽出」を使用するだけで作業が行えます。オーディオ抽出の詳細は、このマニュアルの「オーディオの抽出」セクションを参照してください。

Audio and KeyCode Readerの取り付け

リーダーは、スキャナーの供給スプールの下にある左オプションインターフェース (6ピンのアクセサリXLRコネクター) に取り付けて使用します。

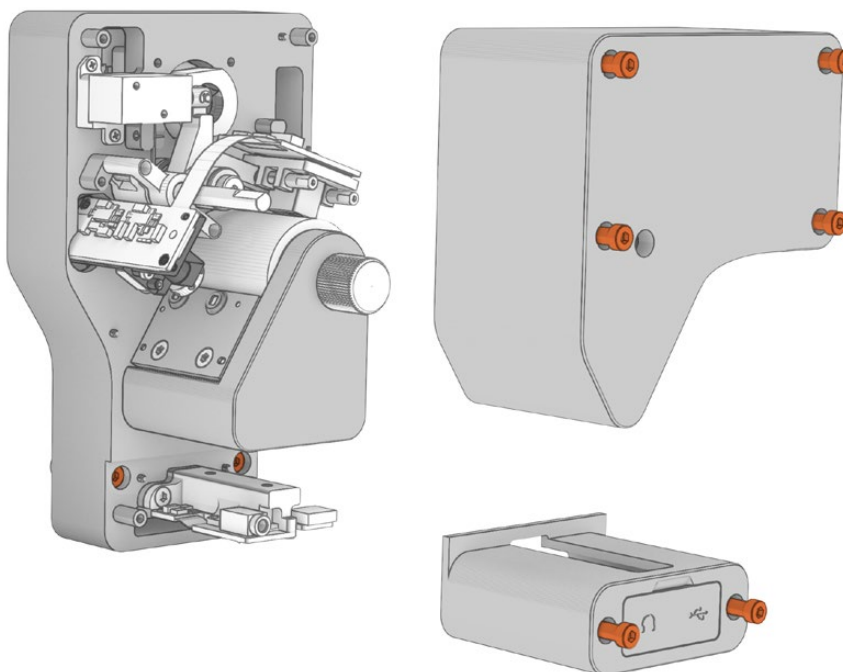
Cintel ScannerにAudio and KeyCode Readerを取り付ける：

- 1 Cintel Scannerの電源を必ず抜いてから作業を始めてください。
- 2 リーダーの上部にある調整ノブには保持ネジが片側についています。1.5mmの六角ドライバーでネジを緩め、軸からノブをスライドさせて外します。これによりリーダーの上部のカバーが外れます。



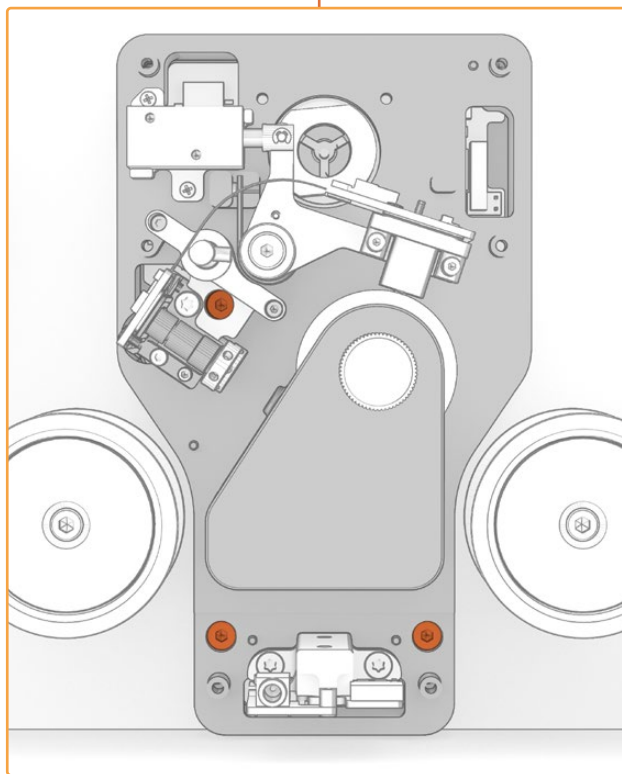
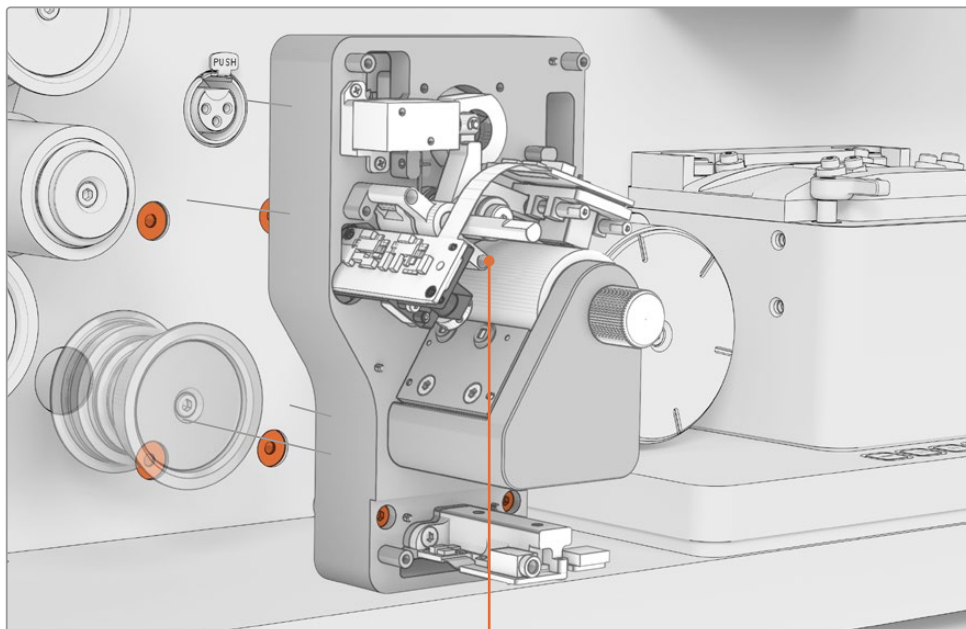
1.5mmの六角ドライバーで調整ノブの保持ネジを緩め、軸からノブを取り外します。

- 3 2.5mmの六角ドライバーで6個のM3ネジを緩め、Audio and KeyCode Readerの上部と下部のカバーを取り外します。これらのネジは拘束ネジなので、リーダーから外れることはありません。カバーを外すと、Cintelスキャナーへのリーダーの取り付けに必要な拘束ネジにアクセスできます。



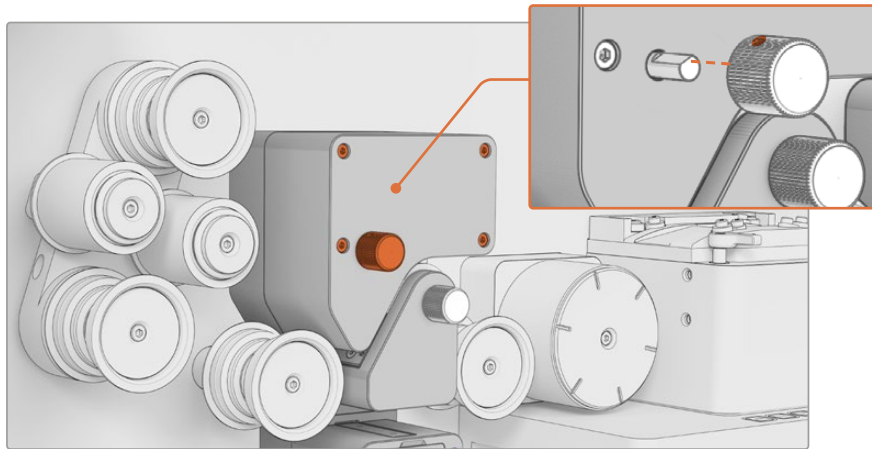
6個のM3ネジを緩め、上部と下部のカバーをリーダーから取り外します。これらは拘束ネジなので、上記の図のようにネジが取り付け面から浮くまで少し緩めるだけ十分です。

- 4 2mmの六角ドライバーでCintelスキャナーの4個のM4ネジプラグを取り外します。取り付けに使用するネジは、左上の1ヶ所と、左オプションインターフェースのXLRコネクターの下の2ヶ所にあります。
- 5 XLRコネクター（オス）をCintelスキャナーの左オプションインターフェースのXLRコネクター（メス）に差し込み、リーダーをマウントします。
- 6 3個のM3拘束ネジを使用してAudio and KeyCode Readerをスキャナーに固定します。リーダーがぴったりとスキャナーのプレートに接しているのを確認してからネジ留めしてください。



リーダーを左オプションインターフェースのXLRコネクターに差し込み、3個のM3拘束ネジを使ってCintelスキャナーに固定します。

- 7 Audio and KeyCode Readerのカバーを再度取り付け、カバーのネジを締めます。上部の調整ノブを元の位置に戻し、軸の平らな面に保持ネジを差し込み、軽く締めます。



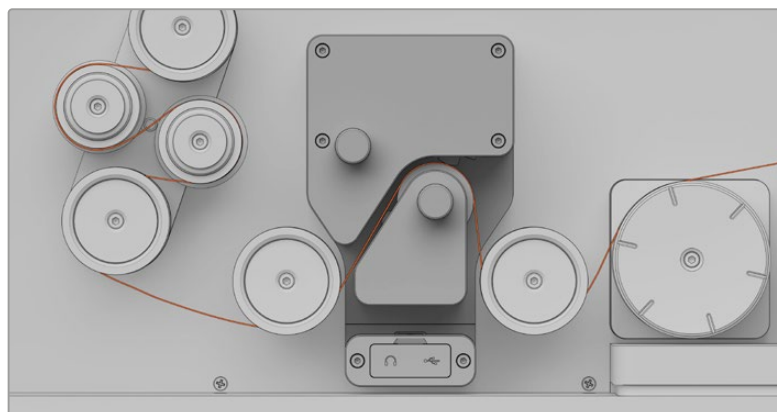
6個のM3拘束ネジを締め、カバーを再度取り付けます。
軸の平らな面で保持ネジを締めて調整ノブを再度取り付けます。

オーディオの読み込み

Audio and KeyCode Readerの取り付けが終わったので、35mmと16mmフィルムから光学オーディオ情報、16mmフィルムから磁気オーディオ情報をキャプチャーできます。

フィルムのセット

リアルタイムでオーディオ情報をキャプチャーするには、リーダーのオーディオ用の経路にフィルムを通す必要があります。フィルムの正しいセット方法は下記になります。



オーディオの読み込みにはAudio and KeyCode Readerの上部にフィルムを通します。

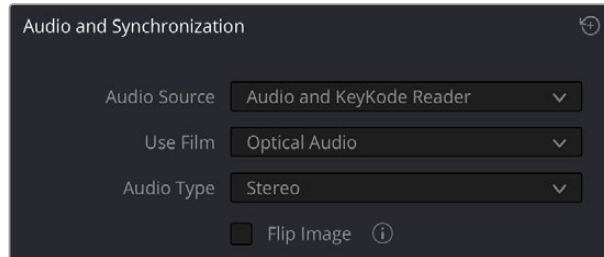
メモ 光学オーディオのスキャンの際には、スキャンを行うLEDの位置に注意してください。16mmと35mmで位置が異なります。35mmはCintelの筐体に近い位置にあり、16mmは筐体から離れた位置にあります。

作業のコツ フィルムをリーダーのオーディオ用の経路に通すと、DaVinci Resolveは自動的にオーディオのキャプチャーを始め、クリップに追加します。リーダーの下部の経路にフィルムが通っている場合、オーディオは取り込まれません。

オーディオのスキャン設定

フィルムがセットされたらDaVinci Resolveの「フィルムスキャナー」パネルに行き、リーダーアクセサリのウィンドウで「読み込み設定」と「オーディオの種類」を設定します。「オーディオソース」メニューで選択するオプションにより、「読み込み設定」と「オーディオの種類」メニューに表示されるオプションが変わります。

これらの設定で、いずれの機能をリーダーで使用するか設定します。例えば、この設定でKeyCode情報のスキャン、異なるオーディオの種類、また光学オーディオか磁気オーディオの選択を行います。



DaVinci Resolveの「フィルムスキャナー」パネルのAudio and KeyCode Readerのウィンドウで、「読み込み設定」オプションをKeyCodeとオーディオのスキャンで切り替えられます。

作業のこつ 使用可能なオプションは、ロードしたフィルムの種類により異なります。例えば、磁気オーディオのオプションは、DaVinci Resolveの「フィルムスキャナー」パネルで、フィルムの種類を16mmフィルムに設定すると、選択可能になります。

オーディオソース

スキャンするイメージに伴うオーディオのソースを選択します。

なし

オーディオトラックなし。「読み込み設定」と「オーディオの種類」のオプションは選択できません。

Audio and KeyCode Reader

Audio and KeyCode Readerを使用して、フィルムから光学オーディオまたは磁気オーディオを読み込みます。

外部オーディオ

外部XLRオーディオポートを介して、アナログオーディオまたはAES/EBUデジタルオーディオを読み込む際に選択します。

読み込み設定

これらの設定を使用して、KeyCodeまたはオーディオの読み込み機能の選択を行います。KeyCodeのデータの読み込みに関する詳細は、「KeyCodeの読み込み」セクションを参照してください。

オーディオの読み込みの設定は下記を含みます。

光学オーディオ

光学オーディオトラックからオーディオをスキャンする場合、この設定を選択します。

光学トラックかどうかは目視で確認できます。35mmまたは16mmフィルムでは、波形（可変面積式）または隙間なく詰まった連続する横線（濃淡式）がフィルムの片側に見える場合、プリントが光学トラックを含むことを意味します。

光学オーディオ狭トラック

光学オーディオをスキャンする際に、フィルムの収縮やプリント固有の変により、光学サウンドトラックがAudio and KeyCode Readerでスキャンされた領域より小さいことがあります。これは、サウンドトラックの側面近くにあるパーフォレーションや画像データをオーディオリーダーがスキャンすることにつながり、オーディオに悪影響を与えます。このような場合、リーダーのトラッキングノブを調整するとオーディオが改善されます。調整しても改善されずオーディオが問題となっている場合、「読み込み設定」メニューから「光学オーディオ狭トラック」を選択します。これにより、リーダーがスキャンを行う範囲が約20%縮小され、光学トラック周囲を除外し、オーディオのスキャン品質を改善します。

オーディオリーダーのトラッキング機能の詳細は、後述の「トラッキング」を参照してください。

磁気オーディオ

16mmフィルムの磁気オーディオトラックをスキャンする場合、「読み込み設定」で「磁気オーディオ」を選択します。

16mmフィルムの磁気オーディオトラックの視覚的な特徴は、フレームの横に黒い帯があることです。フィルムのエマルジョンでは、帯の色は茶色です。

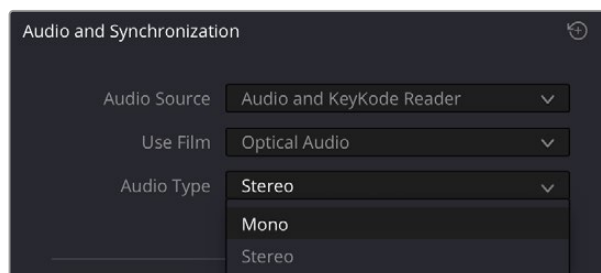
メモ 磁気オーディオのスキャンでは、イコライゼーションを適切に行うためにスキャン速度を24fpsに設定することを推奨します。他の速度でスキャンした場合、ポストプロダクションでピッチの調整が必要になる可能性があります。

オーディオの種類

「読み込み設定」が適切に設定されたら、「オーディオの種類」メニューからオーディオの種類を選択します。

ステレオまたはモノオーディオ

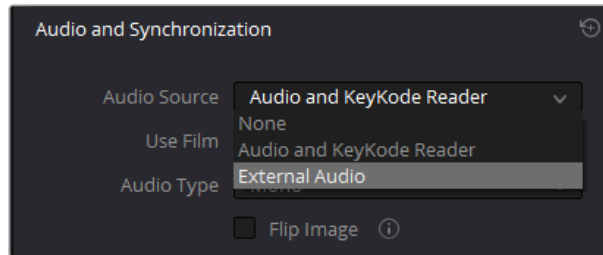
フィルムの光学オーディオの領域を見ると、ステレオかモノか簡単に識別できます。波形が2つ並んでいる場合はステレオサウンドトラックです。波形が1つ、または濃淡式オーディオの場合はモノサウンドトラックです。磁気オーディオはモノのみです。



フィルムのオーディオの種類に合わせて、「ステレオ」または「モノ」オーディオを選択します。

外部オーディオ

「オーディオソース」をクリックし、「外部オーディオ」を選択します。



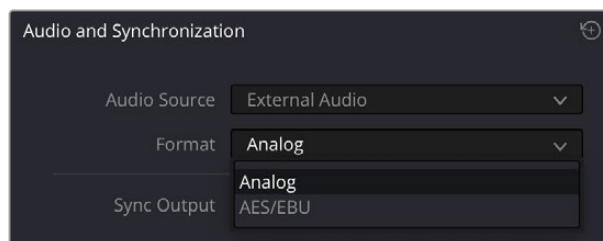
「外部オーディオ」を選択すると、Cintel ScannerのサイドパネルにあるXLRオーディオ入力は、アナログオーディオまたはAES/EBUデジタルオーディオに対応できるようになります。「フォーマット」メニューから適切なオプションを選択します：

アナログ

バランスアナログオーディオを使用する場合は、この設定を選択します。

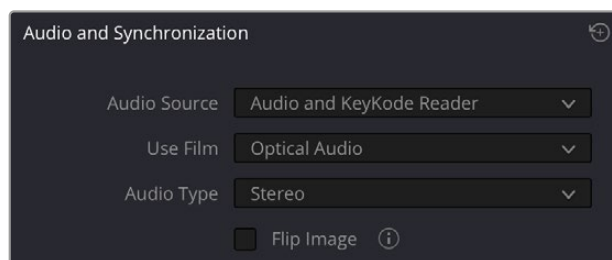
AES/EBU

AES/EBUオーディオ (AES3) を使用する場合は、このオプションを選択します。



イメージ反転

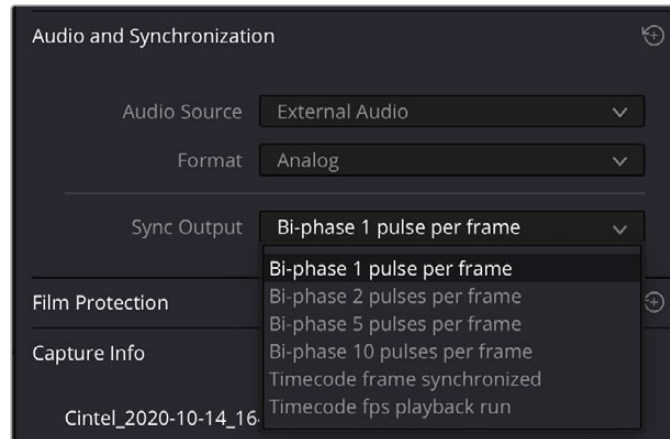
ネガフィルムからオーディオをスキャンする際にイメージが反転する場合、「イメージ反転」チェックボックスを選択します。



「イメージ反転」を有効にすると、フレームがミラーになります。

同期出力

サイドパネルのXLRポートを介して、同期が必要な外部機器にスキャナーを接続している場合、「同期出力」メニューで同期の基準を選択します。



「同期出力」メニューの2相およびタイムコード出力オプション

「2相」では、2つのシングルエンド直交信号を標準のオーディオXLR3差動ペアに出力するため、方向と周波数は、選択した速度で感知できます。「タイムコードフレーム同期」は、動いたフレームごとに単一のタイムコードを出力します。「固定タイムコード出力レート」は、プロジェクトのフィルムのフレームレート (fps) に応じて、固定されたレートでタイムコードを出力します。電圧出力は、自動的に2相では4.5V、タイムコードでは1.5Vに切り替わります。

メモ タイムコード出力は、24、25、30fpsのフリーランまたはフレームにロックされたタイムコードをサポートしています。タイムコード出力は、他のフレームレートには対応していません。

キャプチャー速度

Audio and KeyCode Readerの取り付けが終わり、オーディオのキャプチャー設定が完了すると、Cintel Scannerの最大スキャン速度はフィルムのターゲットフレームレートの1.25倍に上限が設定されます。例えば、再生フレームレートが24fpsのフィルムをスキャンする際は、最大スキャン速度は30fpsになります。これにより、サンプルレートが48 kHzになります。

トラッキング

光学サウンドトラックの位置はプリントごとに若干異なるので、リーダーがフィルムの正しいオーディオ領域をスキャンするようにすることが重要です。オーディオリーダーのトラッキング機能を使用し、光学オーディオスキャンヘッドの位置を微調整することで、可能な限り最良の品質のオーディオを得られます。

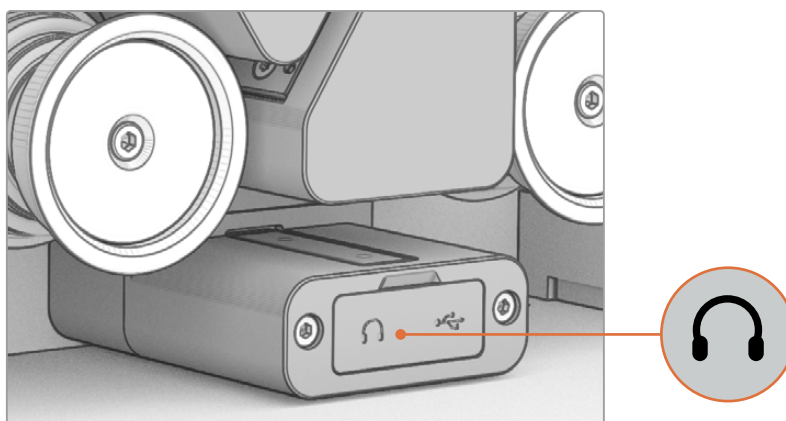
トラッキング機能を使用する：

- 1 リーダーの3.5mmヘッドフォンジャックに、ヘッドフォンまたはオーディオアナライザを接続します。ゴム製のダストカバーを開くとコネクタにアクセスできます。
- 2 ヘッドフォンまたはアナライザの接続後、スキャナーのトランスポートコントロールを使用してオーディオがある位置まで進み、フィルムを再生します。

- 3 フィルムのオーディオを聞いたり、分析しながら、トラッキングノブを時計/反時計回りに回します。トラッキングノブはリーダーの上部にあります。トラッキングノブの調整に従い、スキャンヘッドがフィルムの端から近づいたり、離れたりするので光学トラックに合わせてヘッドの位置を細かく調整できます。また、トラッキングの調整に従い、音量やオーディオの変化がはっきりと聞こえます。オーディオアナライザもトラッキングノブの動きに合わせて同じ原則で機能しますが、より正確な分析が行えます。

ステレオトラックでは、両方のチャンネルが同等の強さで、音の歪みがなくなる位置にヘッドを移動させます。

モノトラックでは、トラッキングの調整を行う際にはオーディオの種類をステレオに設定すると効果的です。これにより、左右のステレオチャンネルを使ってトラックを中心にするのでモノトラックが最高の品質でスキャンできます。トラッキングの調整が終わったら、オーディオの種類を必ずモノに戻してください。

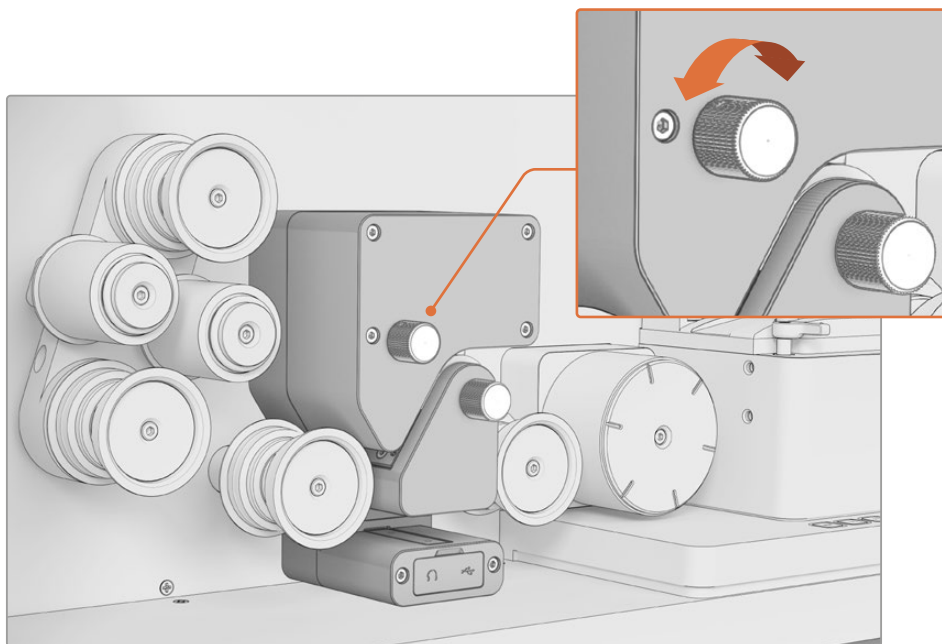


Audio and KeyCode Readerのヘッドフォンジャックは、リーダーの下部のゴム製ダストカバーの後ろにあります。

HDMI/ヘッドフォンジャックでオーディオの確認

フィルムのサウンドトラックは、同期させるイメージの数フレーム前にプリントされているので、Cintelスキャナーは自動的にオーディオを遅延させます。これにより、HDMI出力を介した画像に同期し、スキャンしたクリップにも同期されます。

ヘッドフォンジャックの出力はリアルタイムで、同期されていないオーディオがサウンドトラックから直接出力されます。つまり、トラッキングを調整すると遅延なしで即座に違いが聞こえます。



トラッキングノブを回すとオーディオヘッドの位置調整ができ、光学オーディオのスキャンの品質を改善できます。

光学オーディオのキャプチャー中、リーダーのフィルムローラーが回転していない場合、リーダーのLEDは光量を落とします。リーダーはスキャナーのステータスに従うので、スキャナーがスリープモードになるとリーダーも同じモードになります。

磁気オーディオのトラッキング

Audio and KeyCode Readerの磁気オーディオヘッドは工場出荷時に設定されており、調整は必要ありません。磁気オーディオの特性上、わずかなオーバーラップは磁気情報を含まないため、音の歪みの原因になりません。また、磁気サウンドトラックはプリントの過程で位置が変わることが概して少なく、加えてリーダーの磁気ヘッドは若干大きめなので、磁気オーディオの位置のずれに対応できます。

詳細なトラッキング

ここで記載しているトラッキングの調整に加えて、リーダーでは下記もサポートしています。

- ・ 磁気オーディオのアジマスおよびトラッキング調整
- ・ 光学オーディオのアジマス調整
- ・ 光学オーディオのフォーカス調整

ほとんどのユーザーは、これらの変更を行う必要はありません。これらの詳細な調整に関しては、Blackmagicサポートセンターにお問い合わせください。www.blackmagicdesign.com/jp/support

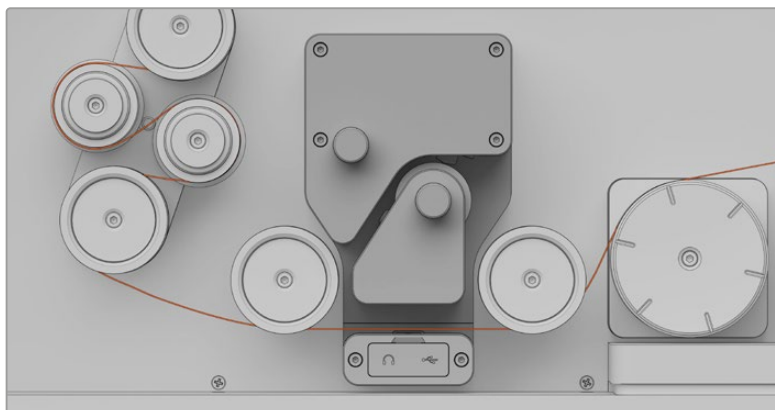
スキャンの開始

オーディオの種類を選択し、トラッキングを調整したら、スキャンを開始できます。詳細は「単一/複数セクションのフィルムをスキャン」セクションを参照してください。

DaVinci Resolveは、スキャナーから同期されたオーディオとビデオ情報が送られてくるまでファイルの書き込みを始めません。オーディオ情報は、対応するフレームの数フレーム前にプリントされているので、スキャナーが速度に達するまでの間と画面にスキャンが表示されるまでの間に約1秒のポーズがあります。

KeyCodeの読み込み

KeyCodeデータを読み込む際は、リーダーを取り付けない場合と全く同じようにフィルムをセットします。フィルムは、スキッドプレートに向かってローラーの間を移動するので、自然とKeyCodeリーダーを通過します。フィルムの正しいセット方法は下記になります。

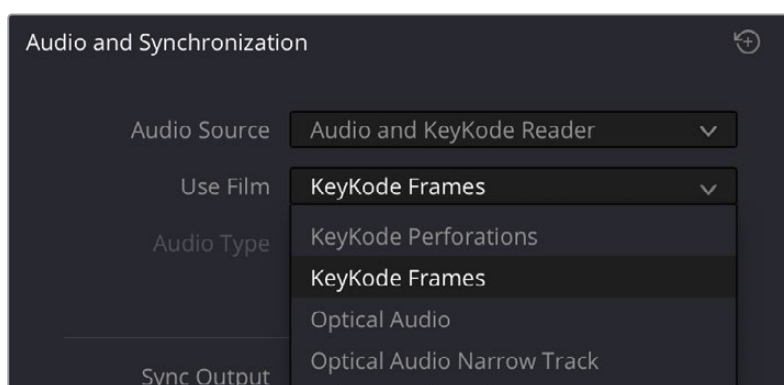


KeyCodeデータの読み込みには、Audio and KeyCode Readerの下部をフィルムが通るようにセットします。

メモ KeyCodeの情報をキャプチャーする場合は、必ずフィルムのKeyCode部分がスキャンを行うLEDの上を通るようにセットしてください。

KeyCodeのスキャン設定

KeyCodeリーダーを通るようにフィルムがセットされ、テンションの調整が終わったら、KeyCodeの読み取りのためにCintelを設定する必要があります。DaVinci Resolveの「フィルムスキャナー」パネルの「読み込み設定」で、「KeyCodeパーフォレーション」または「KeyCodeフレーム」を選択します。DPXファイルを書き出すと、設定に応じて、KeyCode情報がフレームまたはパーフォレーションとして含まれます。



ネガティブのフィルムプリントのKeyCodeデータのスキャンには、「読み込み設定」で「KeyCodeパーフォレーション」または「KeyCodeフレーム」を選択

読み込み設定

これらの設定を使用して、KeyCodeまたはオーディオの読み込み機能の選択を行います。オーディオの読み込みに関しては「オーディオのスキャン設定」を参照してください。

KeyKodeの読み込みの設定は下記を含みます。

KeyKodeパーフォレーション

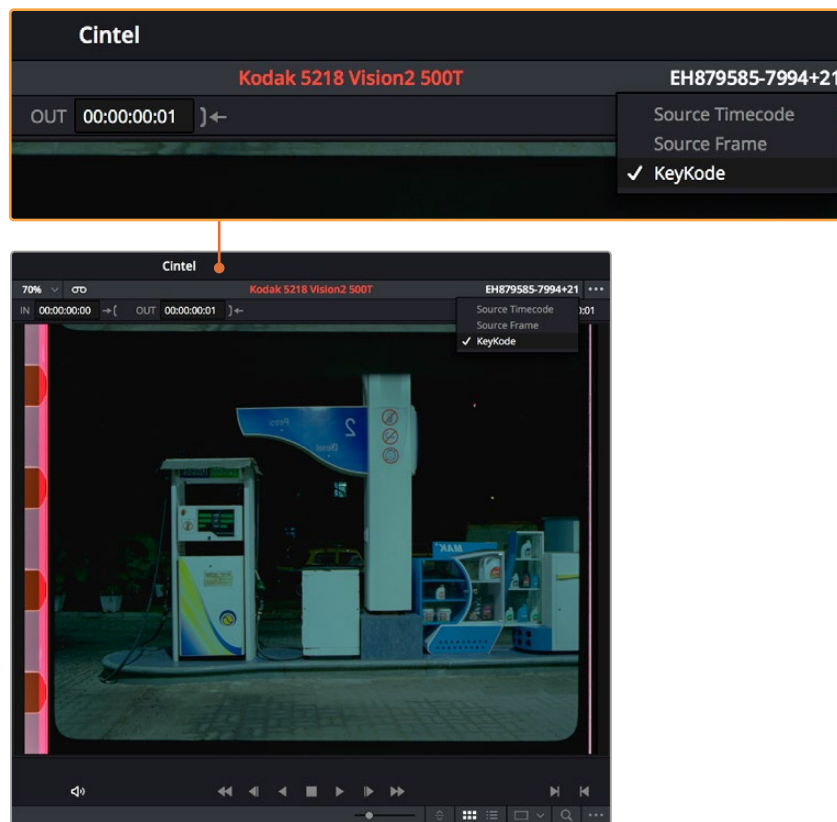
パーフォレーション数に基づき、KeyKodeを収録します。

KeyKodeフレーム

あらゆるタイプのフィルムで、フレーム数に合わせてKeyKodeを収録します。

リーダーは、フィルム上のKeyKode情報のスキャンを始め、各クリップにメタデータを保存します。DaVinci Resolveの「フィルムスキャナー」パネルのビューア上部でもKeyKodeのメタデータを確認できます。

情報を見るには、ビューアの右上のビューアオプションのアイコンをクリックし、メニューから「KeyKode」を選択します。



KeyKodeデータをビューアに表示するには、右上のビューアオプションのアイコンをクリックし、メニューから「KeyKode」を選択します。

KeyKodeの情報は、概してDPXデジタルインターメディアイトに含めることを目的としてキャプチャーされますが、このようなメタデータは他のメタデータと同様にDaVinci Resolveの「エディット」や「カラー」ページでも使用できます。詳細は後述されています。

KeyKodeメタデータを含むDPXへのトランスコード

必要に応じて、DaVinci Resolveの設定でスキャンをDPXファイルフォーマットにトランスコードできます。このフォーマットでは、すべてのKeyKodeメタデータが保持されます。

スキャンをDPXにトランスコードする：

- 1 スクリーン上部のメニューバーで、「ファイル」をクリックし、「メディア管理」を選択します。

- 2 「メディア管理」ウィンドウで、すべてのクリップを個別にトランスコードするには「クリップ」アイコンをクリックし、その後トランスコードを選択します。
- 3 保存先のフォルダーを選択し、OKをクリックして、メディア保存先を設定します。
- 4 タイムライン上のすべてのメディアをトランスコードするには「すべてのメディアをトランスコード」を有効化します。
- 5 ビデオ設定で、ビデオフォーマットを「DPX」に設定し、任意のコーデックを選択します。
- 6 解像度はタイムラインの解像度と自動的にマッチしますが、異なる解像度にトランスコードしたい場合は設定を変更できます。クリップのソース解像度にマッチさせたい場合は「ソース解像度でレンダー」を有効化します。
- 7 オーディオ設定で、DPXに含めたいオーディオチャンネルの数を選択します。ソースクリップのオーディオとマッチさせたい場合は「ソースと同じ」を選択します。また、オーディオビット深度も設定します。

ウィンドウの底部にあるDaVinciのアイコンで、現在のメディアのサイズ、およびDPXにトランスコードされた際のメディアのサイズが確認できます。
- 8 「開始」をクリックします。

これで、タイムラインのすべてのクリップがDPXファイルにトランスコードされ、KeyKodeがファイルにエンベッドされます。Cintel Rawファイルから他のフォーマットへのトランスコードに関しては、DaVinci Resolve マニュアルのメディア管理のセクションを参照してください。

Cintel RawファイルをKeyKodeがエンベッドされたDPXファイルとしてレンダリングすることも可能です。DaVinci Resolveのデリバページで書き出しファイルフォーマットをDPXファイルに設定します。各ファイルを個別に書き出すには、「レンダー」設定を「個別のクリップ」に設定してください。

メンテナンス

質の高いスキャンを得るには、スキャナーが清潔で埃が付いていない状態であることが重要です。これは、パーティクルトランスファー・ローラーを定期的に掃除し、エアダスターを使って硬質ゴムのローラー、駆動輪、スキッドプレートを含む、スキャナーの接触面の埃を払うことで簡単に保てます。

パーティクルトランスファー・ローラーの掃除

パーティクルトランスファー・ローラー (PTR) の掃除は、フィルムのスキャン後に毎回行ってください。ローラーの掃除は、各PTRスピンドルのO形リングを取り外し、その後ローラーを外します。食器洗い洗剤などを溶かした温水でローラーを掃除し、空気乾燥させます。タオルやドライヤーでの乾燥は、新たに埃が付いたり、ローラーが熱で変形する可能性があるので推奨されません。乾いたら、元の場所にローラーを差し込み、O形リングを取り付ければ、次のスキャンが行えます。

PTRの取り付けや取り外しが難しくなった場合は、O形リングの内側にシリコングリスを薄く塗ります。これが潤滑剤となり、掃除する際に取り外しやすくなります。



パーティクルトランスファー・ローラーを掃除するには、各PTRスピンドルのO形リングを取り外し、その後ローラーを外します。

洗浄後もパーティクルトランスファー・ローラーの粘着力がなくなったり、経年や損傷によって取り外し/取り付けが難しくなった場合は、Blackmagic Designのウェブサイトwww.blackmagicdesign.com/jpから新しいローラーを購入できます。

キャプスタンの掃除

キャプスタンは、必要に応じて掃除します。しかし、毎回、新しいフィルムロールをスキャンする前に掃除するのを推奨します。クリーニング後は、空気乾燥させてから使用します。

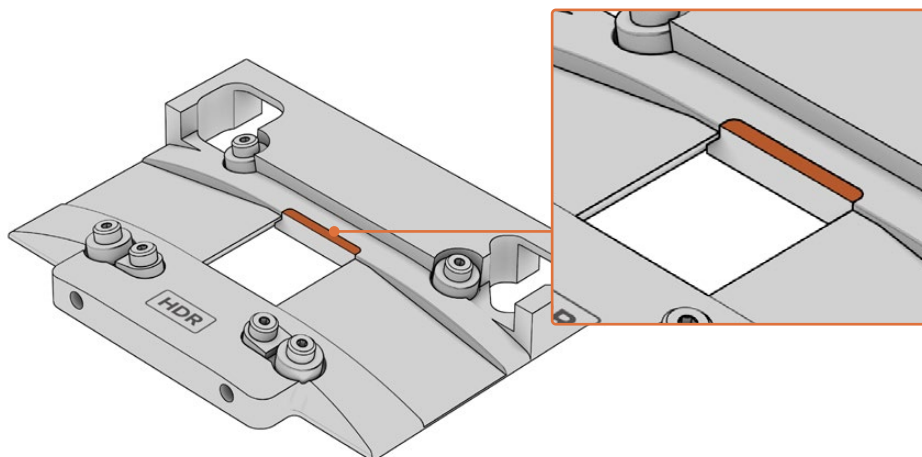
メモ キャプスタン周辺の電子部品に液体が触れることで損傷する可能性があるので注意してください。糸くずの出ない布に少量の水を含ませて掃除します。キャプスタンの掃除には、溶剤やスプレーを使用しないでください。

ダスティング

スキャナーのダスティングは毎日行ってください。エアダスターを使って、スキャナーのゲート、駆動輪、その他フィルムの接触面の埃を払うことで簡単に行えます。これは、ゲートを外して行うのが理想的です。

ダスティングの際は、スキャナーのゲートのプラスチック製の小さな充填パーツの埃を重点的に払うことを推奨します。この部分に埃が蓄積されるとスタビライズに悪影響を与えます。濡らした布で時々拭いてください。

オプションの8mmゲートのダスティングには、エアダスターまたは糸くずのでない布を使用して、ベアリング面およびアパーチャーシャッターを掃除してください。さらに、埃が溜まることを防ぐために、ベアリングが取り付けられている場所も時々掃除する必要があります。



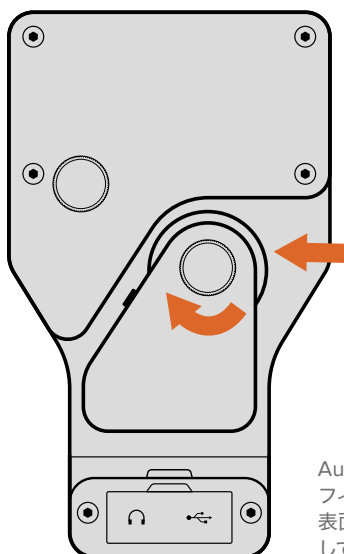
充填パーツを重点的にダスティングしてください。

スキャナーのRGB光源のレンズを掃除する必要がある場合、少量のイソプロピル・アルコール含ませた清潔な布で掃除します。

多くの電器店が、エアダスターやイソプロピル・アルコールを取り扱っています。

Audio and KeyCode Readerのローラーの掃除

Audio and KeyCode Readerの上部のフィルムが通過する部分にはゴム製のローラーがついています。この部分は濡らした布で時々拭く必要があります。フィルムを取り除き、ローラーに濡らした布をあて、クリーニングノブを回して蓄積された埃を除去します。

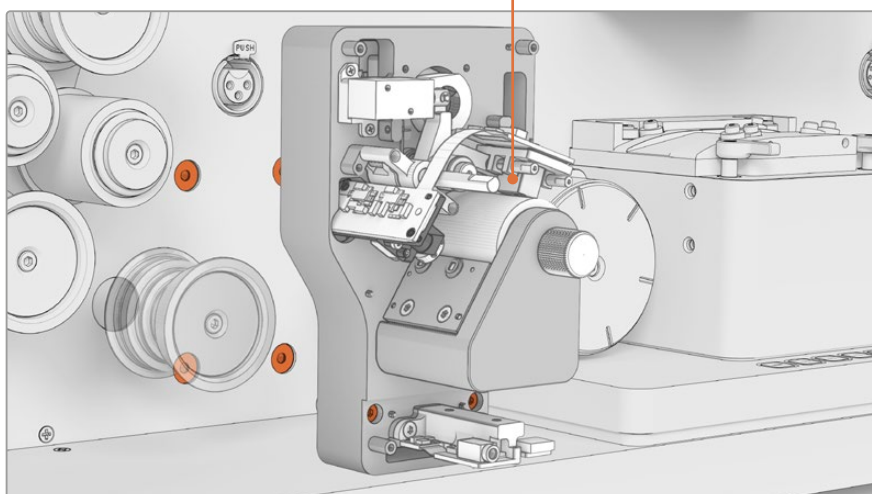
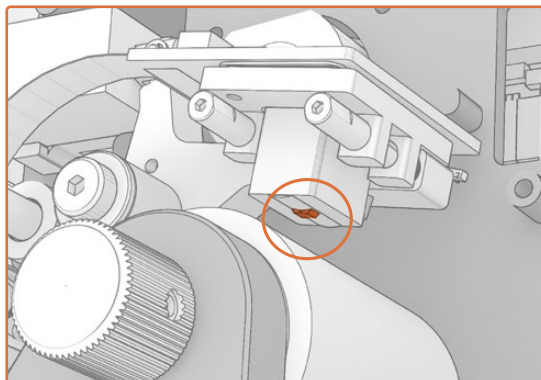


Audio and KeyCode Readerのフィルムローラーは、ローラーの表面に濡らした布をあて、ノブを回して埃を拭き取ります。

Audio and KeyCode Readerのローラーと磁気ヘッドの掃除には水以外は使わないでください。アルコール、キシレン、その他の化学薬品を使用すると、リーダーアクセサリの破損の原因になる可能性があります。

Audio and KeyCode Readerの磁気ヘッドの掃除

Audio and KeyCode Readerの磁気ヘッドを掃除する必要がある場合、2.5mmの六角ドライバーで4個のM3ネジを緩め、リーダー上部のカバーを取り外して、磁気ヘッドを掃除します。



Audio and KeyCode Readerの上部カバーを外して、磁気ヘッドにアクセスします。

磁気ヘッドが露出されたので、綿棒を水で濡らし、余分な水分を払い、磁気ヘッドの表面をそっと払い、埃を取り除きます。ヘッドが乾くまで数分待ってから、リーダーの上部のカバーを取り付けます。

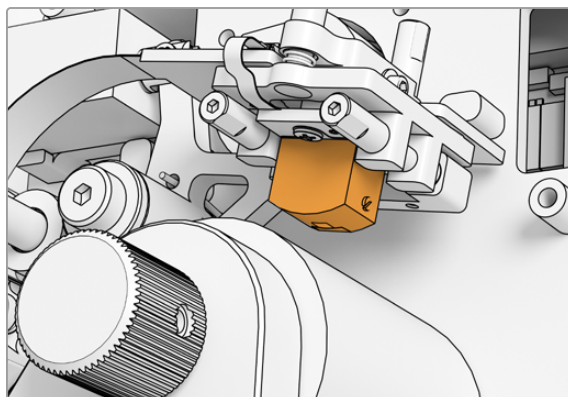
磁気ヘッドは工場で消磁されているので、追加の消磁は必要ありません。

Cintel Scannerのスペアパーツ

Cintelスキャナーのスペアパーツの大半は、Blackmagic Designのサポートオフィスで入手できます。Cintel Scannerのメンテナンスは概して非常に簡単で直感的ですが、必要に応じて営業オフィスから必要な書類を取り寄せられます。

磁気ヘッドの交換

磁気フィルムがCintel Audio and KeyCode Readerのテープヘッドを通過する際に、表面がゆっくりと擦れることで、ヘッドギャップが磨耗し、オーディオの品質が低下します。磁気ヘッドは、使用頻度に応じますが、2~3年ごとに交換することをお勧めします。



メモ Cintel Scannerの磁気ヘッドには2つのバージョンがあります。

磁気ヘッド (バージョン1)

このバージョンの磁気ヘッドはシリアル番号が6943522以前の旧モデルのAudio and KeyCode Readerに搭載されており、取り扱いが終了しています。

磁気ヘッド (バージョン2)

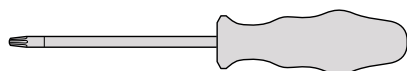
このバージョンの磁気ヘッドはシリアル番号が6943522以降のAudio and KeyCode Readerに搭載されており、現行のバージョンになります。

Audio and KeyCode Readerにバージョン2の磁気ヘッドが取り付けられている場合、このセクションの手順に従って磁気ヘッドを交換してください。

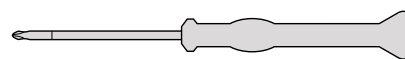
バージョン1の磁気ヘッドが取り付けられている場合は、バージョン2の磁気ヘッドにアップグレードする必要があります。このアップグレードは、追加のパーツが必要になり、複雑であるため、高い技術が必要とされます。詳細は「Audio and KeyCode Readerバージョン2へのアップグレード手順」マニュアルを確認してください。または、取扱販社でアップグレードすることもできます。アップグレード方法を記載したマニュアルのダウンロード、またはサポート部門への連絡は以下のウェブサイトから可能です。www.blackmagicdesign.com/jp/support アップグレードが終わると、メンテナンス方法はバージョン2の磁気ヘッドと同じになります。

必要な工具

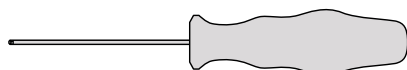
以下のツールが必要です：



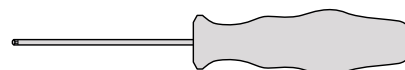
T10ドライバー



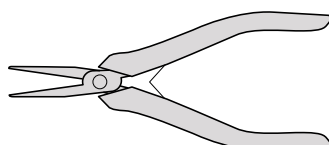
プラスドライバー (PH00)



六角ドライバー (1.5 x 60)



六角ドライバー (2.5mm)



小型のピンセットやペンチ

メモ 最適なパフォーマンスを得るために、磁気ヘッドを消磁しなくても済むように、必ず非磁性のツールを使用してください。

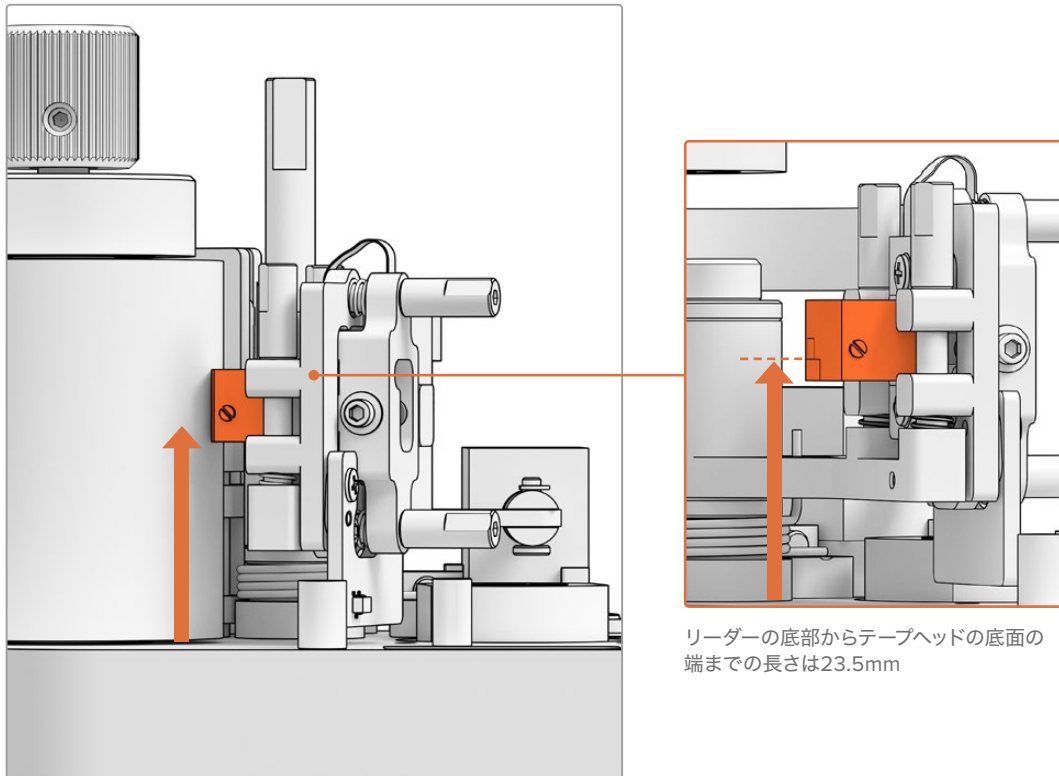
アップデートの前に

Audio and KeyCode Readerで最適なパフォーマンスが得られるように、交換前にリファレンスオーディオをキャプチャーすることをお勧めします。これにより、オーディオの品質を後で比較できます。

リファレンスオーディオには、以下のタイプのフィルムを推奨します：

- S16mm Bezugs BF16-10A DIN 15638 25fpsマルチ周波数磁気テストフィルム。
- S16mm SepMagフィルム。
- S16mmリーダー。白。
- S16mm ComOpt SMPTE P16MFマルチ周波数。
- S35mm ComOpt SMPTE P35MFマルチ周波数。
- 適切なカスタマーリファレンスComMagフィルム。
- 適切なカスタマーリファレンスComOptフィルム。

磁気ヘッドの元々の位置を書き留めておきます。これは、アップデート後にリーダーを組み立て直した際にトラッキングのチェックを行うために必要となります。計測する際は、リーダーの底部から磁気ヘッドの接触面の端までの長さを測ります。この長さは、約23.5mmが理想的です。



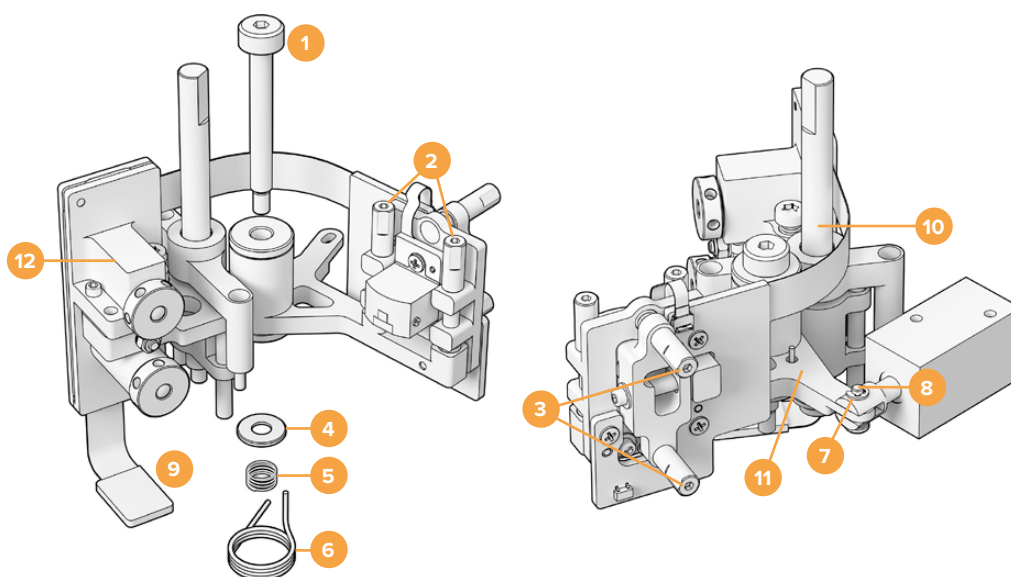
リーダーの底部からテープヘッドの底面の端までの長さは23.5mm

Audio and KeyCode Readerの底部から磁気ヘッドまでの長さを計測

トラッキングのチェックが終わったら、スキャナーからリーダーを取り外します。詳細は、このマニュアルの「Audio and KeyCode Readerの取り付け」セクションを参照してください。

磁気ヘッドPCBの交換

磁気ヘッドの交換を始める前に、下の図を確認して、磁気ヘッドの部分組立品の部品と構造を理解することをお勧めします。

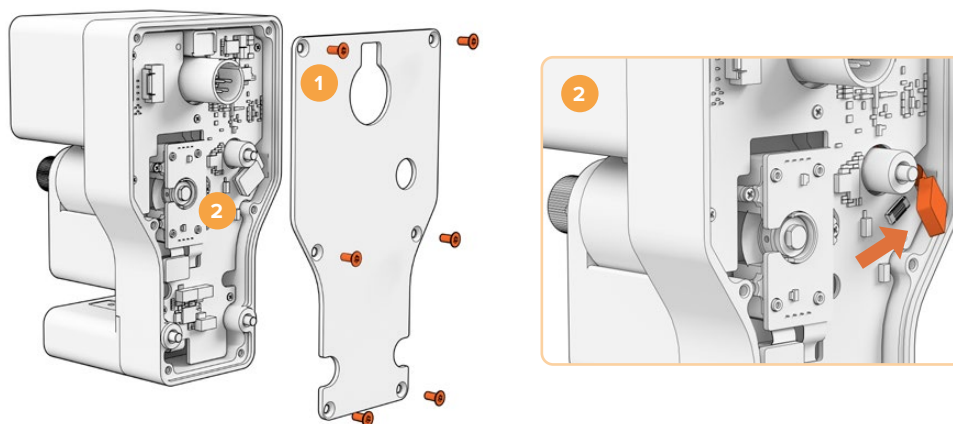


磁気ヘッドのアーム部分組立品

- | | |
|---------------------------|--------------------|
| 1 M3肩付きネジ。 | 7 Eクリップ。 |
| 2 A1およびA2アジマスネジ、縦方向の調整用。 | 8 U字形金具ピン。 |
| 3 B1およびB2ジーニス、ティルト角度の調整用。 | 9 オーディオアームPCBコネクタ。 |
| 4 コイルばね固定具。 | 10 高さ調整マウント。 |
| 5 プレロードばね。 | 11 磁気ヘッドアーム。 |
| 6 磁気ヘッドアームばね。 | 12 光学ブロック。 |

Audio and KeyCode Readerの構成部品を理解し、必要なツールの準備が整ったら、磁気ヘッドの交換を始めます。

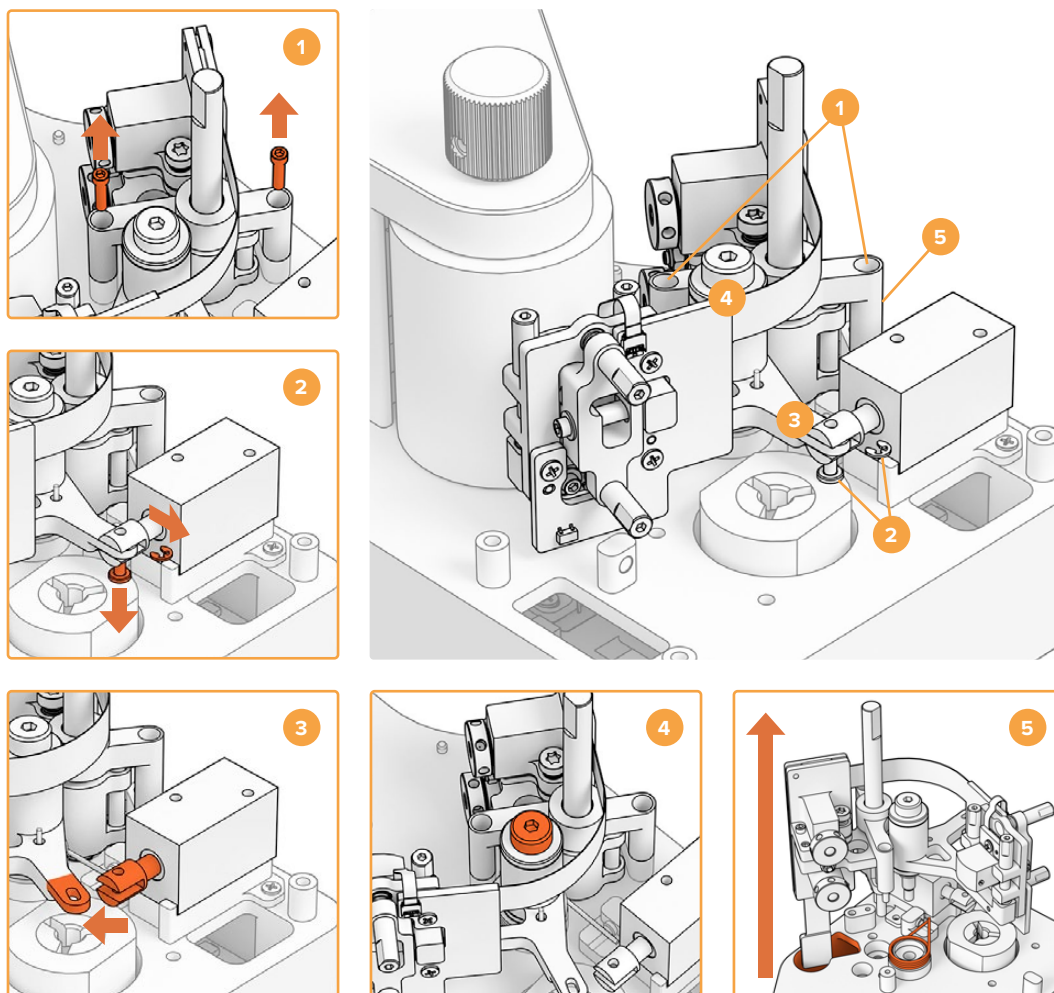
リーダーからバックプレートを取り外す



1. バックプレートを取り外す 2. 部分組立品の接続を外す

- 1 メインのPCBの背面にアクセスするには、背面のカバーを取り外します。T10ドライバーで、6個のM3皿頭トルクスネジを外し、カバーを取り外します。
- 2 リーダーの背面でコネクターラッチを押し上げ、メインのPCBから部分組立品の接続を外します。

部分組立品を取り外す



1. 高さ調整マウントの取り外し 2. ソレノイドのEクリップとU字形金具ピン
3. 磁気ヘッドアームの着脱 4. M3肩付きネジ 5. 部分組立品の取り外し

- 1 リーダーの背面を下にして安全な場所に置きます。六角ドライバー (1.5 x 60) で、高さ調整マウントの両側にある2個のM2穴付きネジを外します。
- 2 小型のピンセットやペンチで、Eクリップを慎重に取り外します。これにより、U字形金具ピンを引き出せるようになり、ソレノイドからアームを取り外せます。

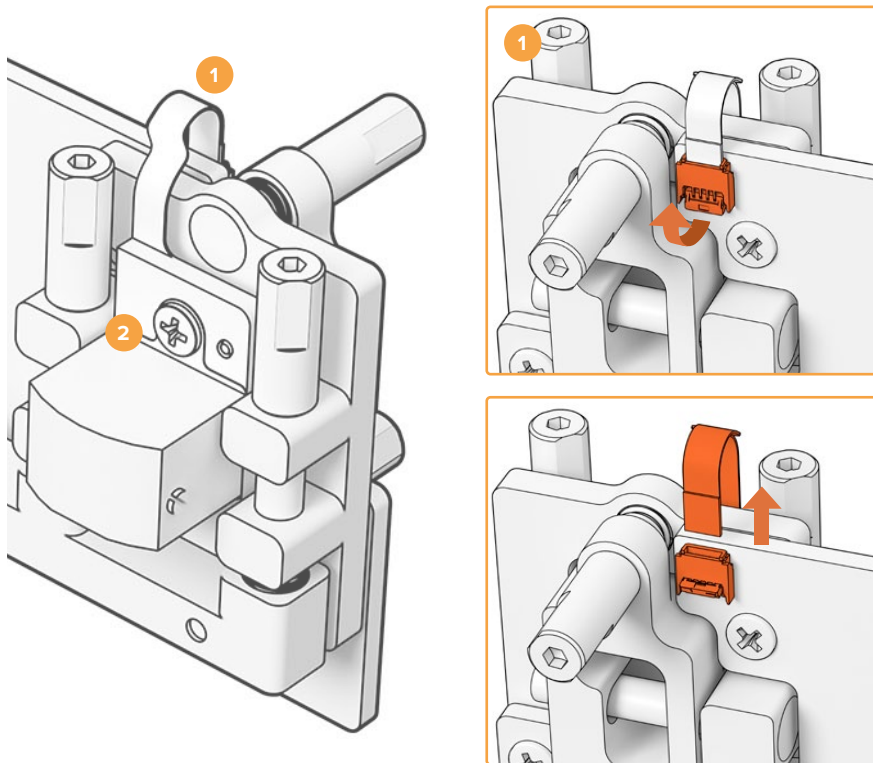
作業のこつ ピンを適切に取り除けるように、オーディオアームを回転させ、コレットナットとソレノイドの間のスペースをピンが通れるようにします。コレットナットはXLRコネクターの裏側にあり、ケーブルを固定しているナットです。

- 3 磁気ヘッドアームを横方向に引っ張り、ソレノイドから部分組立品を引出します。
- 4 六角ドライバー (2.5mm) で、M3肩付きネジを外します。

- 5 リーダーから部分組立品を引き抜きます。その際は、オーディオアームPCBコネクタがメインPCBの穴を必ず通るようにしてください。このステップを行う際に、磁気ヘッドアームばねが外れることがあります。部分組立品を組み立て直すまで、無くさないように保管してください。

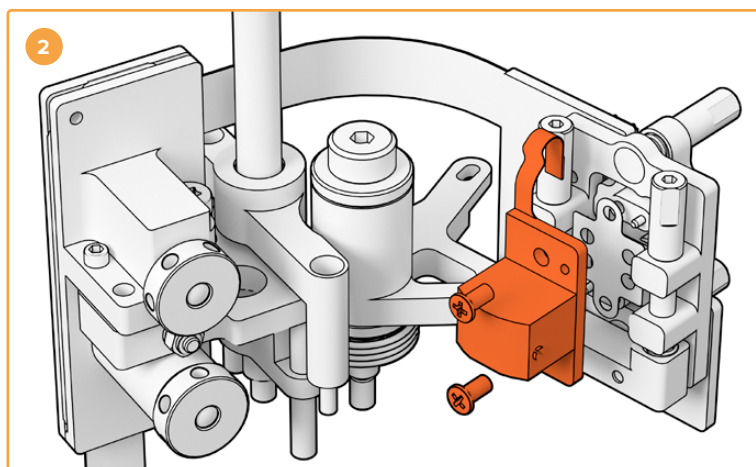
肩付きネジからコイルばね固定具とプレロードばね、マウンティングソケットから磁気ヘッドアームばねを外します。

磁気ヘッドを取り外す



1. PCBコネクタラッチ 2. 磁気ヘッドの着脱

- 1 オーディオアームPCBの背面にあるコネクタラッチを押し上げ、磁気ヘッドFPCをリリースします。ラッチが外れたら、FPCを引き抜きます。

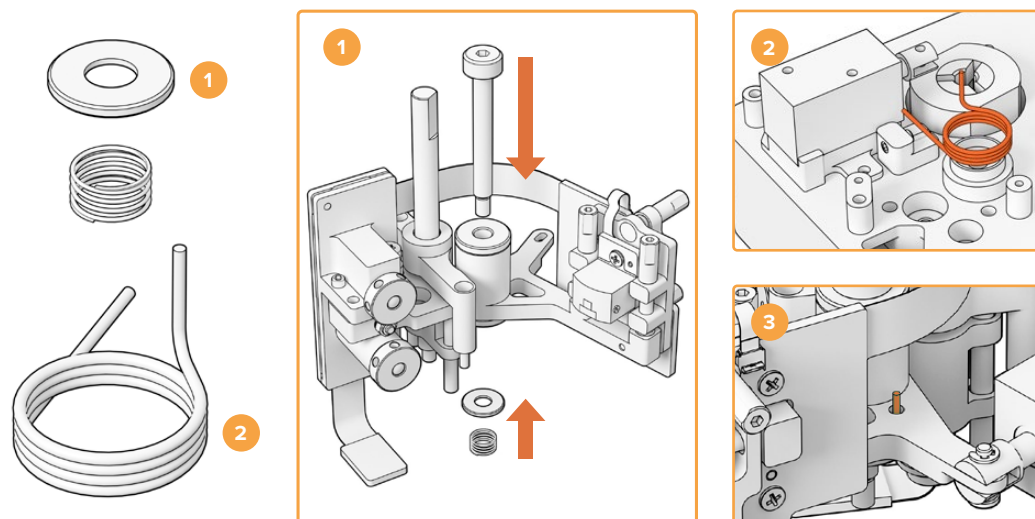


- 2 PH00ドライバーで2個のM2なベネジを外して、磁気アジマスマウントから磁気ヘッドPCBを取り外します。取り外した磁気ヘッドPCBは廃棄します。

新しい磁気ヘッドを取り付けるには、上記のステップを逆の順番で実行してください。

部分組立品を取り付け直す

磁気ヘッドを交換したら、部分組立品を組み立て直し、Audio and KeyCode Readerに取り付けます。



1. コイルばね固定具とプレロードばね 2. 磁気ヘッドアームばね
3. 磁気ヘッドアームをオーディオアームに差し込む

- 1 M3ネジの細くなっている方を下にした状態で、コイルばね固定具をネジに差し込み、続いてプレロードばねをM3ネジに差し込みます。
- 2 マウンティングソケットに磁気ヘッドアームばねを取り付けます。
- 3 オーディオアームには小さな穴が開いており、磁気ヘッドアームばねの上向きの部分を差し込めるようになっています。部分組立品を取り付ける際に、この穴にばねの上向きの部分を差し込みます。
- 4 これらのばねを部分組立品とマウンティングソケットに配置したら、リーダーに部分組立品を取り付けます。これを実行するには、上記のセクションのステップを逆の順番で行います。

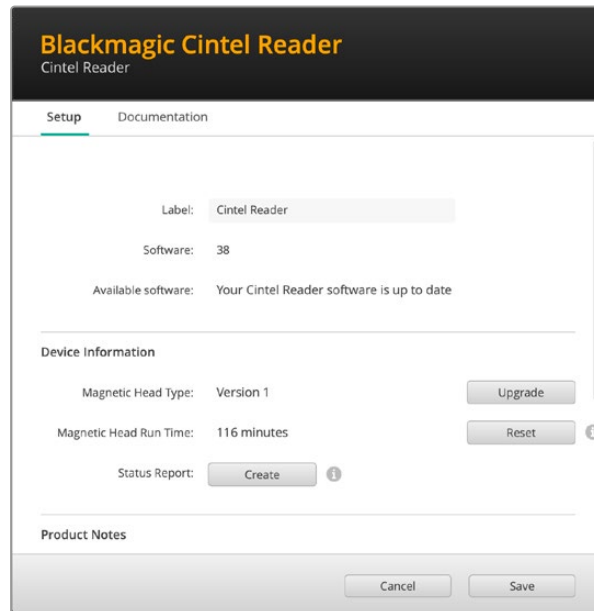
作業のこつ リーダーに部分組立品を取り付ける際は、オーディオアームPCBコネクタがメインPCBの小さな穴を通っていることを確認してください。

部分組立品の取り付けが終わったら、Audio and KeyCode ReaderをCintel Scannerに取り付け直します。リーダーをCintelのXLRポートに接続し、3個のM3拘束ネジで固定します。

リーダーの前面のカバーはまだ取り付けないでください。キャリブレーションおよびテストのために部品にアクセスする必要があるからです。

磁気ヘッドのランタイムをリセットする

Audio and KeyCode Readerの磁気ヘッドを交換した後、Cintel Setup Utilityでランタイム・カウンターをリセットする必要があります。



「Device Information (デバイス情報)」セクションで、「Reset (リセット)」ボタンをクリックします。これによりランタイム・カウンターがリセットされ、新しい磁気ヘッドの使用状態をモニタリングするので、次の交換時期を把握しやすくなります。

Cintel Setup Utilityの「Upgrade (アップグレード)」ボタンはハードウェアバージョン1と2の磁気リーダーにのみ使用します。詳細は、弊社のサポートチームにご連絡ください。

<https://www.blackmagicdesign.com/jp/support/>

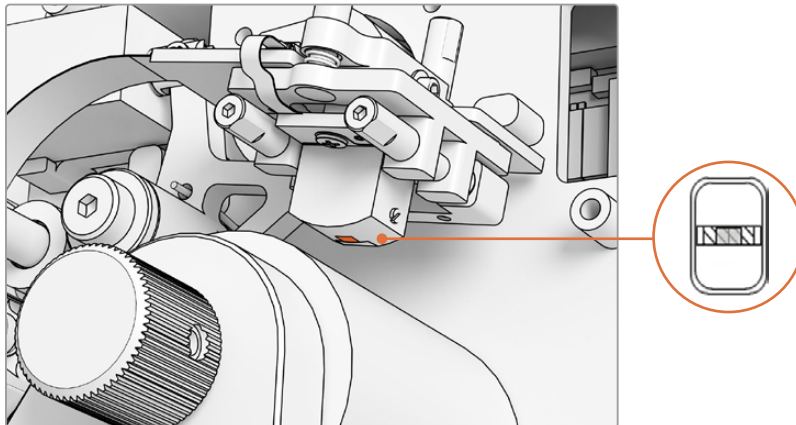
ヘッドの位置の確認

オーディオ収録で高い品質を維持し、磁気ヘッドが不均等に磨耗することを最小限に抑えるためには、磁気ヘッドが適切に配置されていることが極めて重要です。

DaVinci Resolveを使用して、光学オーディオおよび磁気オーディオファイルをキャプチャーし、元の基準となるファイルと比較します。交換した磁気ヘッドの動作を確認するためのテストには、以下のフィルムを使用することを推奨します：

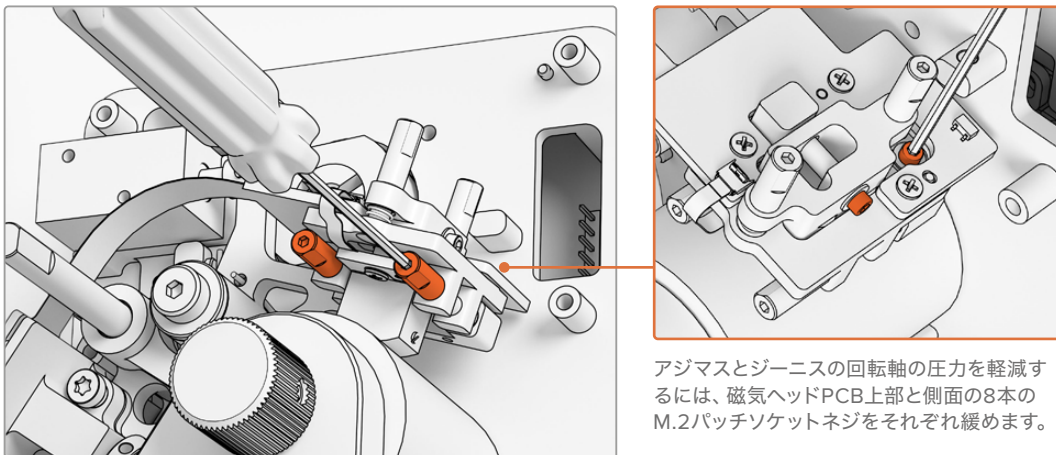
- S16mm Bezugs BF16-10A DIN 15638 25fpsマルチ周波数磁気テストフィルム。
- S16mm SepMagフィルム。
- S16mmリーダー。白。
- S16mm ComOpt SMPTE P16MFマルチ周波数。
- S35mm ComOpt SMPTE P35MFマルチ周波数。
- 適切なカスタマーリファレンスComMagフィルムまたはComOptフィルム。

磁気ヘッド



Audio and KeyCode Reader内の磁気ヘッド

磁気ヘッドの位置と角度を調整する際は、ヨー、ジーニス、トラッキングの高さ、アジマスに注意して作業を行います。六角ドライバー（1.5 x 60）を使用して、A1およびA2ネジのアジマスとトラッキングを調整します。また、必要に応じて、B1およびB2ネジのジーニスとヨーを調整します。

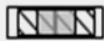


1.5mm六角ドライバーで、A1およびA2ネジを回して磁気ヘッドのアジマスを調整します。

アジマスとジーニスの回転軸の圧力を軽減するには、磁気ヘッドPCB上部と側面の8本のM.2パッチソケットネジをそれぞれ緩めます。

摩耗のパターンをチェックする：

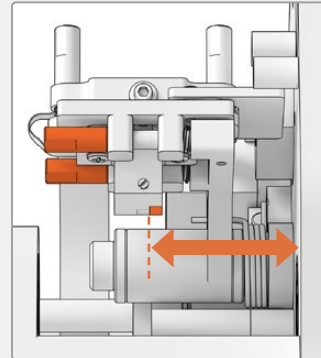
- 1 マーカーペンでテープヘッドの表面に印を付けます。
- 2 16mmのリーダーを3～5秒再生します。
- 3 ヘッドギャップの両側が均等に磨耗しているかヘッドの摩耗のパターンをチェックし、必要に応じて調整します。チェックを繰り返す必要がある場合は、マーカーで再び印を付けます。
- 4 作業が終わったら、アルコールで残ったマーカーを拭き取ります。



適切に配置されていると均等に磨耗します。

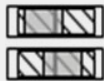
トラッキング

アジマス調整用のA1およびA2ネジで、16mm SepMagトラックに合うようにヘッドの位置を物理的に調整します。組み立て前に計測したように、磁気ヘッドの接触面の端からリーダーの底部までの長さが約23.5mmになるようにします。調整用のネジはすべてスプリングが付いており、グリースが塗ってあるため、トルクを使用する必要はありません。

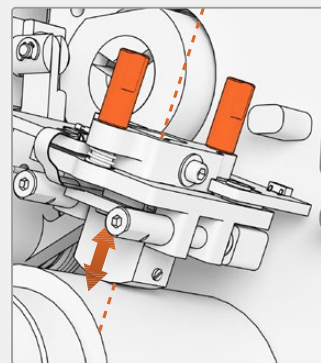


高さ

磁気ヘッドの高さを調整するには、B1およびB2ネジを同じだけ回します。フィルムに対するヘッドの高さに注意しながら調整します。これにより、磁気ヘッドのギャップを中心とした磨耗となります。



高さが不適切だと、偏った磨耗が生じます。

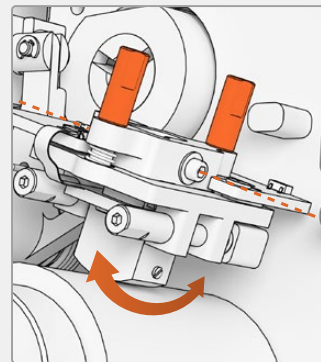


ジーンズ

ジーンズ (ティルト) を調整するには、B1およびB2ネジをそれぞれ回します。フィルムに対するヘッドの正接の角度に注意しながら調整します。これにより、ギャップに触れることで生じる磨耗が均等になります。



ジーンズが不適切だと、偏った磨耗が生じます。

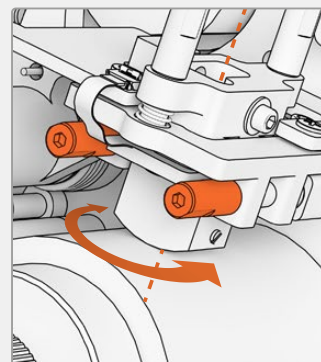


アジマス

アジマス調整用のA1およびA2ネジでは、ヘッドの縦方向の位置を設定できます。アジマスのA1およびA2ネジを調整し、信号変調と位相直線性が最大になるようにします。

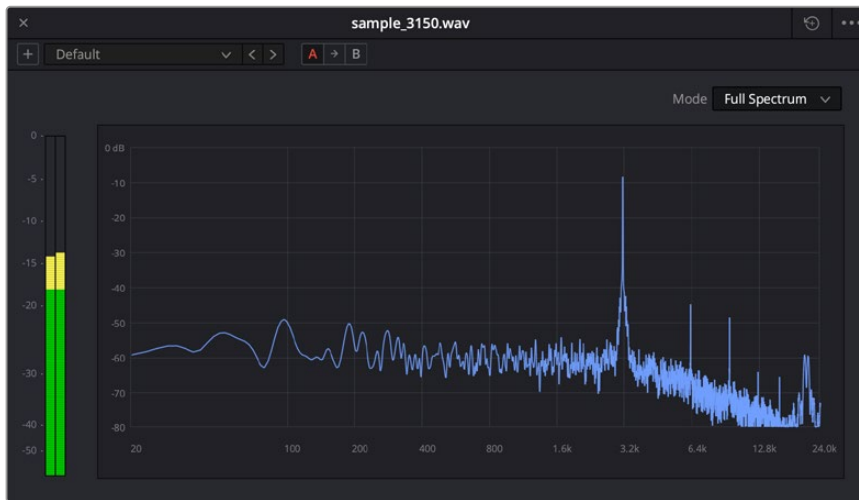


アジマスが不適切だと、偏った磨耗が生じ、高周波応答が低下します。



メモ 新しい磁気ヘッドの設定と動作に問題がなければ、8本のM.2パッチソケットネジでアジマスとジーニスを再び固定します。

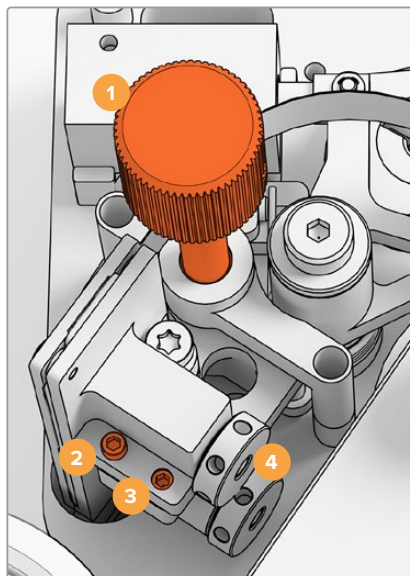
作業のこつ 可能な限り高い周波数の試験信号音のフィルムを使用してください。10kHzのフィルムを使用することをお勧めします。Resolveでキャプチャーした.wavファイルの波形とFFTをFairlightページの「Frequency Analyser」を用いてチェックします。あるいは、ヘッドフォン出力ポートを介して使用できるサードパーティ製のライブ分析ツール、またはスキャナーが対応しているDesktop Videoオーディオデバイスを使用することも可能です。



Frequency Analyser 3.15kHzワウフラッターのトラック

光学ブロックの位置の確認

光学オーディオレンズの位置を確認して、光学オーディオブロックが適切に動作しているかチェックします。



1. トラッキング調整用ノブ
2. アジマス調整用M2ネジ
3. アジマス固定用M3ネジ
4. 光学オーディオレンズ

トラッキングの高さ

トラッキング調整用ノブを回転させ、16mmおよび35mmフィルムのオーディオトラックに対する光学オーディオレンズの位置を調整します。各レンズが、個別のオーディオトラックをカバーするようにし、両方のトラックで隠れた部分が無いようにします。オーディオの強さは、ComOptフィルムをキャプチャーし、DaVinci ResolveのFairlightページに搭載されている「Frequency Analyser」を使用して、波形とFFTをチェックすることで正確に測定できます。あるいは、ヘッドフォン出力ポートを介して使用できるサードパーティ製のライブ分析ツール、またはスキャナーが対応しているDesktop Videoオーディオデバイスを使用することも可能です。

アジマス

光学ブロックのアジマスは工場であらかじめ調整されています。以下のステップは、何らかの理由でアジマスを調整する必要がある場合にのみ実行してください。

- 1 1.5mmの六角ドライバーで、アジマス固定用M3ネジを取り外します。
- 2 高周波数ステレオ試験信号音の35mmフィルムを使用して、アジマス調整用M2ネジを回転させ、左右のオーディオチャンネルが揃い、位相が一致するようにします。
- 3 結果に満足したら、アジマス固定用ネジでアジマスをロックします。

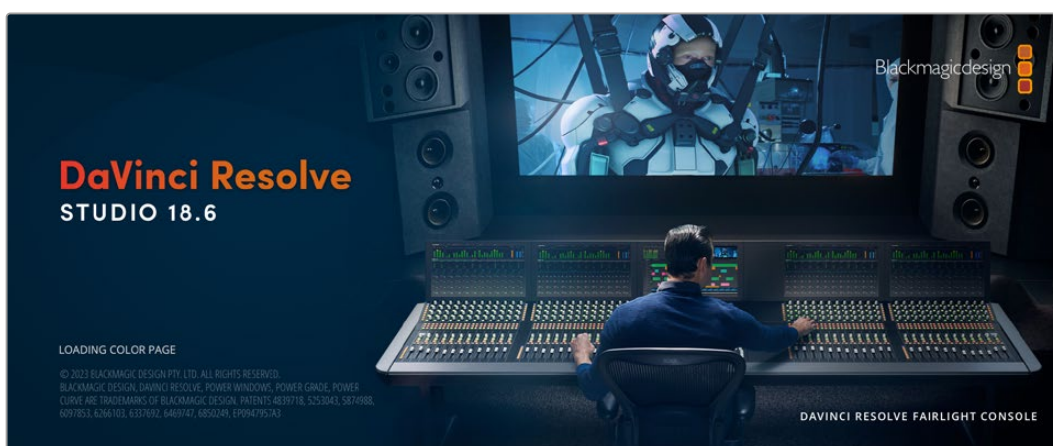
メモ アジマス固定用ネジを固定すると、アジマス設定が若干影響を受ける場合があります。その際は、上記のステップを繰り返してください。

磁気ヘッドと光学オーディオブロックのキャリブレーションが完了したら、フロントカバーを付け直し、2.5mmの六角ドライバーで4個のM3拘束ネジを締めます。カバーが固定されたら、1.5mmの六角ドライバーで調整ノブを元の位置に取り付けます。

DaVinci Resolveでクリップを扱う

DaVinci Resolveのメディアページで「クローン」ツールを使用して、スキャンしながらバックアップを作成できます。使用するメディアは種類にかかわらず、損傷や不具合が生じる可能性があります。スキャンされたファイルの損失を防ぐため、常にデータのバックアップを作成することをお勧めします。DaVinci Resolveでメディアをバックアップしたら、DaVinciのメディアプールにスキャンしたクリップを追加して、タイムライン上へのクリップの配置やカラーコレクション、作品のフィニッシングまで、すべての作業をDaVinci Resolveで行えます。

作業のこつ HDRクリップかどうかは、クリップサムネイルの左下にあるHDRアイコンで確認できます。



Cintel Scannerは、高ダイナミックレンジに対応したRAWイメージフォーマットのCRIでキャプチャーするので、DaVinci Resolveを使用してあらゆる目的に合わせてショットを調整できます。DaVinci Resolveは、多くの大ヒット映画で使用されています。シンプルなNLEソフトウェアツールとは異なり、ハイエンドのデジタルフィルム用に極めて高度なテクノロジーを搭載しています。DaVinci Resolveを使用すれば、最先端のテクノロジーを利用してスキャンの編集やカラーコレクションが行えます。

このセクションでは、DaVinci Resolveでスキャンしたファイルを扱う方法を説明します。DaVinci Resolveには極めて高度なテクノロジーが採用されており、その機能の多くはユーザーインターフェースを一目見ただけでは分かりません。DaVinci Resolveの使用方法に関しては、Blackmagic DesignウェブサイトのDaVinci Resolveインストラクション・マニュアルを参照してください。トレーニングコースやガイドビデオも多数掲載されています。

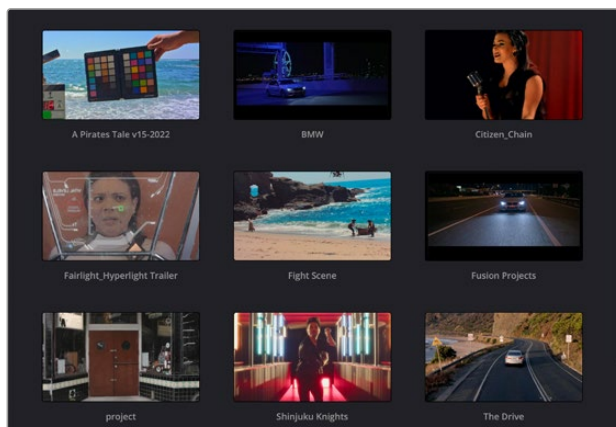
プロジェクトマネージャー

クリップを読み込んで編集を開始する前に、プロジェクトマネージャーでプロジェクトをセットアップする必要があります。

プロジェクトマネージャーは、DaVinci Resolveの起動時に最初に表示される画面です。この画面は、ユーザーインターフェース右下のホームアイコンをクリックすると、いつでも開くことができます。これは、前のプロジェクトを開いたり、新しいプロジェクトを作成したい場合に便利な機能です。

新しいプロジェクトを作成するには、ウィンドウ底部の「新規プロジェクト」をクリックし、プロジェクト名を設定します。「作成」をクリックします。

では、カットページを使用して、編集作業を早速開始しましょう。



プロジェクトマネージャーは、現在のユーザーのすべてのプロジェクトを表示。

プロジェクトマネージャーの詳細は、DaVinci Resolveマニュアルを参照してください。同マニュアルは、Blackmagic Designウェブサイトのサポートページからダウンロードできます。

カットページを使用した編集

カットページでは、高速でダイナミックな編集ワークフローを実現できます。クリップの配列、トリム、編集が効率的に実行できます。

アクティブなタイムラインが2つ表示されるため、編集全体を確認しながら、部分的にクリップの詳細を編集できます。つまり、大きなタイムラインにクリップを編集し、詳細を表示するタイムラインで編集を微調整する作業が、一つのワークスペースで実行できます。このワークフローでは、ラップトップで編集を進めるにあたって、ズームインやズームアウト、画面のスクロールをする必要がないため、時間を大幅に節約することも可能です。

カットページのレイアウト

カットページを開くと、メディアプール、ビューア、タイムラインが表示されます。この3つのメインウィンドウで、編集作業を完全に管理できます。



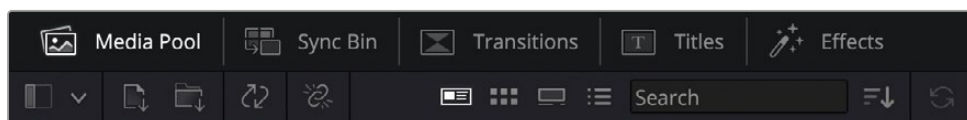
カットページのデフォルトのワークスペース。メディアプールをアイコンビューで表示した状態。

カットページの詳細は、DaVinci Resolveマニュアルの「カットページ」チャプターを参照してください。

メディアタブ

ユーザーインターフェースの左上には5つのタブがあります。

これらのタブをクリックすると、編集を作成する際に使用するメディアツールセットが開きます。例えば、最初のタブであるメディアプールはすでに選択されています。それ以外のタブは、同期ビン、トランジション、タイトル、エフェクトです。



メディアプール

メディアプールは、メディアページで読み込んだすべてのクリップ、フォルダー、ファイルを含んでいます。また、カットページから直接ファイルを読み込めるため、新しいクリップを読み込む際にメディアページに戻る必要はありません。

同期ビン

全てのクリップをタイムコード、日付、時間に基づき自動的に同期するパワフルな機能です。マルチカメラのプロジェクトで全カメラからのアングルを選択する際に威力を発揮します。

トランジション

このタブをクリックすると、編集で使用可能なすべてのビデオおよびオーディオトランジションが表示されます。これには、クロスディゾルブやモーションワイプなどの広く使われているトランジションが含まれます。

タイトル

トランジションタブの隣はタイトルタブです。ここで、使用したいタイトルの種類を選択できます。例えば、スクロール、標準テキスト、ローワーサードなどです。また、Fusionのテンプレートもリスト表示されます。これは、アニメーションを用いた、よりダイナミックなタイトルで、DaVinci ResolveのFusionでカスタマイズできます。

エフェクト

5つ目のタブは、エフェクトタブです。編集に面白みを加えるフィルターやエフェクトを多数搭載しています。これには、カスタマイズ可能なブラー、グロー、レンズエフェクトなどが含まれます。多くのパワフルなエフェクトから選択でき、検索ツールで簡単に探しているエフェクトを見つけられます。

作業のコツ メディアタブのアイコンの近くにある検索ツールで、必要なアイテムを検索できます。例えば、トランジションタブを選択している場合、「ディゾルブ」と検索ツールに打ち込むと、ビューアにディゾルブトランジションのみが表示されるため、必要なディゾルブトランジションをリストの中からすばやく見つけられます。




ビューアタブ

ビューアウィンドウの左上に、ビューアモードのボタンがあります。



ビューアモードのボタン

これらのボタンで、現在使用しているビューアをコントロールできます。オプションは、「ソースクリップ」、「ソーステープ」、「タイムライン」の3つです。これらのモードを使い分けることで、編集でクリップを選択する上で多大なコントロールが得られるため、各モードの機能の仕方を以下で確認しておくことをお勧めします。



	ソースクリップ	<p>ソースクリップビューアは、メディアプールの単一のクリップを表示します。ビューアタイムラインの長さいっぱいを使って、イン点とアウト点を設定できます。より詳細にわたるコントロールが可能です。メディアプールのクリップをダブルクリックするか、ビューアにドラッグして、表示するソースクリップを選択します。</p>
	ソーステープ	<p>ソーステープでは、メディアプールの全ソースクリップを表示できます。特定の箇所を探すために、すべてのクリップをすばやくチェックしたい場合に役立つ機能です。クリップ上で再生ヘッドをスクラブすると、メディアプールで選択されたサムネイルが表示されます。編集したいクリップを見つけたら、ソースクリップタブをクリックすると、該当のソースクリップがビューアに自動的に表示されます。</p> <p>ソーステープビューアは、ノンリニア編集の利点を活かした作業が行えます。編集で自在に作業ができ、ショットをすばやく見つけることができ、新しいアイデアを試し、移動や切り替えをせずに編集作業を実行できます。</p>
	タイムライン	<p>タイムラインビューアには編集タイムラインが表示されるため、プロジェクトを再生して、編集を微調整するために使用できます。</p>

メディアプールにクリップを読み込む

次は、プロジェクトにメディアを読み込みます。この作業には、カットページのメディアプールウィンドウ上部にある、読み込みツールを使用します。



読み込みオプションを使用して、プロジェクトにメディアを追加。

	メディアの読み込み	<p>このオプションでは、ストレージロケーションから選択された各メディアファイルを読み込みます。</p>
	メディアフォルダーの読み込み	<p>メディアストレージからフォルダーを読み込むには、このオプションを選択します。フォルダーを読み込むにあたり、DaVinci Resolveはファイル構造を維持し、各フォルダーを個別のビンとして扱うため、ビデオやその他のメディアファイルを探すために複数のビンの間を行き来できます。</p>

メディアを読み込む：

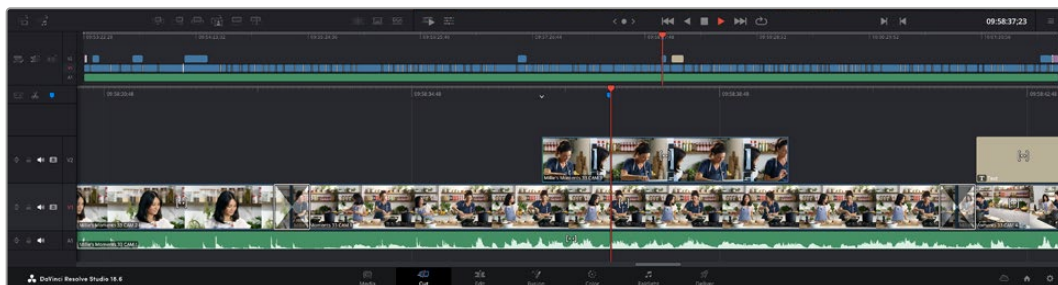
- 1 「メディアの読み込み」または「メディアフォルダーの読み込み」アイコンをクリックします。
- 2 読み込みたいメディアのあるメディアストレージまで進みます。
- 3 ファイルまたはフォルダーを選択し、「開く」をクリックします。

プロジェクトにメディアを追加したら、変更を保存します。DaVinci Resolveは「ライブ保存」と呼ばれる、高速の自動保存機能を搭載しています。プロジェクトを一度保存したら、その後に適用された変更は「ライブ保存」により保存されるため、作業内容が失われるリスクが減ります。

「ライブ保存」やその他の自動保存機能に関しては、DaVinci Resolveマニュアルを参照してください。

クリップをタイムラインに追加

メディアタブおよびビューアモードのボタンの使用方法を理解したので、次はメディアプールを開き、タイムラインにクリップを追加します。



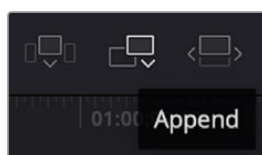
カットページのタイムライン。(上) タイムラインと (下) ズームインしたタイムラインの2つが表示される。

タイムラインは、編集を形作る場所で、クリップを配置するトラックが組み込まれたボードのようなものです。このボード上でクリップを色々と移動させたり、編集をトリミングしたりします。トラックは、クリップを積み重ねて表示するため、異なる編集を試したり、トランジションやエフェクトを構成する上で、より高い柔軟性が得られます。例えば、ひとつのトラックのクリップに編集を適用しても、その下のトラックにある他のクリップに影響を与えません。

タイムラインにクリップを追加する方法は多数あり、「スマート挿入」、「末尾に追加」、「最上位トラックに配置」はその一例です。

クリップの追加

テイクを選択し、編集を組み立てる作業を行う上で、タイムラインにショットを次々と順番に追加していきたいはずです。「末尾に追加」ツールは、この作業に最適で、編集を高速に実行できます。



「末尾に追加」アイコンをクリックして、最後のクリップの末尾にクリップを追加。

クリップを追加する：

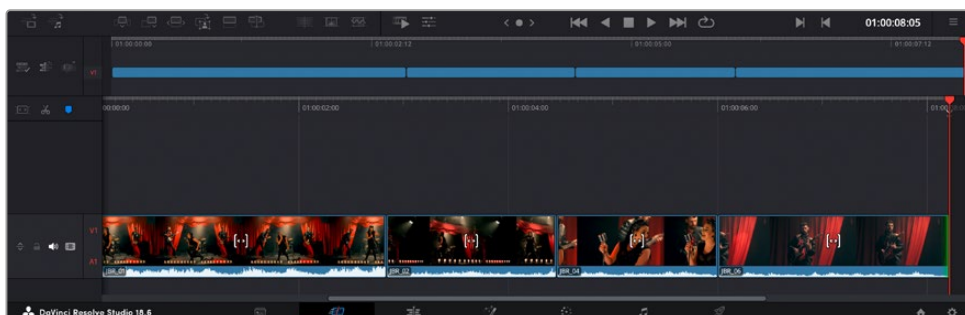
- 1 メディアプールのクリップをダブルクリックして、ビューアで開きます。
- 2 スクラッチトリム・ツールを使用して、イン点とアウト点をドラッグして、ショットの使用したい範囲を正確に選択します。キーボードの「I」および「O」を押しても、イン点とアウト点を設定できます。



- 3 メディアプールの中の「末尾に追加」アイコンをクリックします。

最初のクリップがタイムラインの先頭に配置されます。

クリップをさらに追加するにはステップ1から3を繰り返します。追加するクリップは、タイムライン上にすでに存在するクリップの末尾に自動的に追加され、ギャップは生じません。



「末尾に追加」でクリップを追加すると、タイムラインのクリップ間にギャップが生じない。

作業のコツ 「末尾に追加」アイコンにキーボードショートカットを割り当てることで、作業をさらに効率化できます。例えば、「P」キーを割り当てると、「I」および「O」でイン点とアウト点を設定し、「P」でクリップを追加できます。ショートカットキーの割り当て方法は、DaVinci Resolveマニュアルを参照してください。

タイムラインでクリップをトリム

タイムラインにクリップを追加したので、クリップを移動し、編集を開始できるようになりました。

編集をトリミングするには、クリップの先頭または末尾をクリックし、左右にドラッグします。クリップを左右にドラッグすることで、クリップの長さを延長したり、短縮できます。その編集箇所には後続するクリップすべてが、変更に対応するためにタイムライン上で連動して動きます。これは、カットページが時間を節約する上で役立つ機能のひとつです。

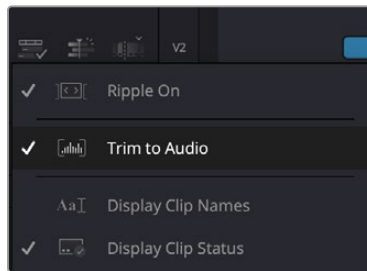
該当のクリップを選択して、大きなタイムラインの新しいビデオトラックに編集することも可能です。この作業を行うために、ズームインやズームアウトする必要はありません。これは、長いタイムラインをナビゲートする時間を最小限に抑えられるため、編集作業を高速化できます。

オーディオトリムビュー

オーディオトリムビューでは、タイムラインのオーディオ波形が拡大表示されるため、正確なオーディオ編集が可能です。この機能は、会話シーンやミュージッククリップの編集において、言葉やビートの間に編集点を作りたい場合に便利です。

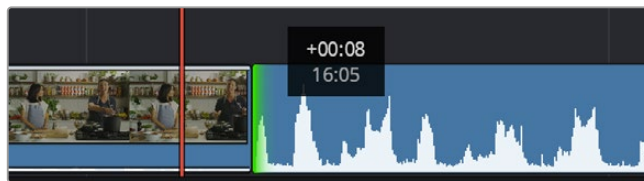
オーディオトリムビューを使用する：

- 1 「タイムラインオプション」アイコンをクリックして、「オーディオに合わせてトリム」を選択します。



「オーディオに合わせてトリム」オプション

- 2 これで、トリム中にタイムラインの波形が拡大表示されます。トリムが終わると、タイムラインのクリップは通常表示に戻ります。



オーディオトリムビュー。タイムラインのオーディオ波形が拡大表示されます。

カットページでのクリップ編集が完了したら、タイトルの追加に進みましょう。その手順は、次のセクションで紹介します。

タイトルの追加

タイムラインにタイトルを配置するのは簡単で、その方法は多数あります。

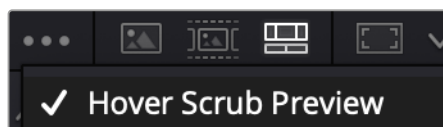
使用可能なタイトルの種類を確認するには、ユーザーインターフェースの左上にある「タイトル」タブをクリックします。ローワーサードやスクロール、標準テキストタイトルなど、使用可能なタイトルジェネレーターがすべて選択ウィンドウにサムネイルとして表示されます。また、Fusionタイトルというカスタマイズ可能なアニメーションタイトルも追加できます。

タイトルのプレビュー

タイトルは、タイムラインに追加する前に、タイトル選択ウィンドウでプレビューできます。これにより、タイトルを選択する前に、使用可能な全オプションにすばやく目を通すことができます。

タイトルをプレビューする：

- 1 タイトルパネルの右上にあるオプションメニューをクリックし、「ホバースクラブプレビュー」にチェックを入れます。



オプションメニューで「ホバースクラブプレビュー」を有効にします。

- 2 タイトル選択ウィンドウで、マウスポインターをサムネイルに重ね、ビューアでタイトルをプレビューします。アニメートタイトルまたはFusionタイトルをプレビューする際は、ポインターをタイトルサムネイル上で左右に動かすことで、アニメーションを確認できます。



タイトルサムネイルにポインターを重ねてビューアでプレビュー。

選択するタイトルが決まったら、タイムラインに追加できます。

標準のタイトルを追加する：

- 1 選択したタイトルをクリックし、タイムラインにドラッグします。タイムラインはどちらを使用しても良いですが、下のタイムラインを使用した方が正確に作業できます。タイトルの新しいビデオトラックが自動的に作成され、再生ヘッドにスナップします。
- 2 マウスをリリースすると、タイトルが新しいトラックに表示されます。他のビデオクリップと同様、タイトルトラックは移動したり長さを変更したりできます。
- 3 タイトルを編集するには、新規タイトルクリップをクリックします。クリップビューアの下に「ツール」アイコンが表示されます。

タイトルクリップの調整に使用するツールが一列で表示されます。これには、変形、クロップ、ダイナミックズームなどが含まれます。

- 4 「インスペクタ」タブをクリックします。

インスペクタウィンドウが開くので、タイトルを入力し、テキスト設定を編集できます。例えば、トラッキング、行間、フォントの種類、色などを調整できます。

思い通りのタイトルを作成できるように、カスタマイズ可能なオプションが多数搭載されています。様々な設定を使ってみて、タイトルの見た目や形がいかに変わるか試してみることをお勧めします。

作業のこつ ホバースクラブ機能は、カットページおよびエディットページのエフェクト、トランジション、ジェネレーター、フィルターのプレビューにも使用できます。

Blackmagic RAWファイルの使用

Blackmagic RAWクリップは、ポストプロダクションにおいて最大の柔軟性が得られ、カメラのオリジナルの設定を変更するかのようにホワイトバランスやISOの設定を調整できます。Blackmagic RAWにはハイライトやシャドウの色調情報が豊富に維持されているため、白飛びした空やイメージ内の暗い領域などのディテールを修復する際にも役立ちます。

可能な限り最高の品質を求めている場合や、ハイライトとシャドウの差が極めて大きく、それらの領域をできるだけ暗く/明るくグレーディングで調整したい場合などは、Blackmagic RAWでの撮影をお勧めします。

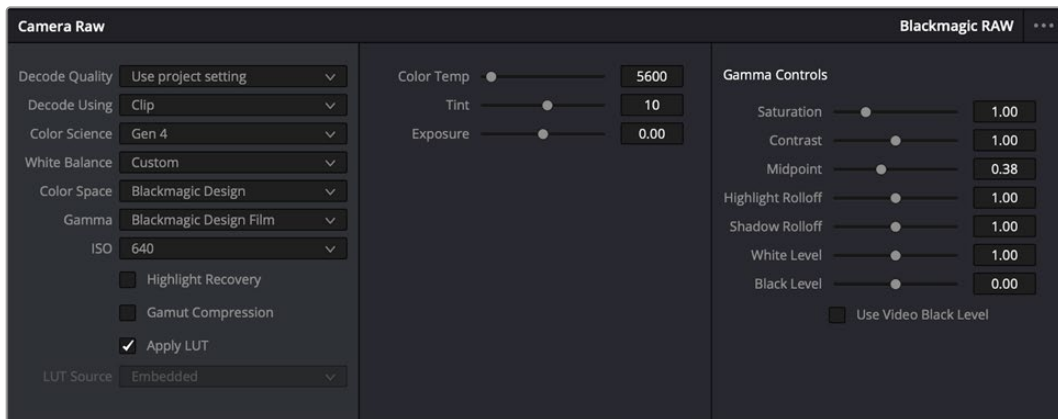
高速で小さなファイルサイズを実現するBlackmagic RAWでは、プロキシファイルを作成する必要がなく、通常のビデオクリップのように再生できます。このセクションでは、Blackmagic RAWの詳細、およびDaVinci ResolveでのBlackmagic RAWの使用方法を紹介します。

作業のこつ カラーグレーディングを始める前に、カラーページでクリップのBlackmagic RAW設定を調整することを習慣づけることをお勧めします。

Blackmagic RAWのクリップ設定

Blackmagic RAWファイルを読み込むと、DaVinci Resolveはファイルに含まれるカメラデータを、撮影時に使用されたISO、ホワイトバランス、ティント設定に基づいてデコードします。これらの設定に基づいたルックに問題がなければ、そのまますぐに編集を開始できます。

しかし、Blackmagic RAW収録のすばらしい点は、これらの設定に束縛される必要がまったくないことです！Blackmagic RAWファイルでは、ポストプロダクションで使用できる処理の幅が広がるため、独自のワークフローを構築できます。各クリップで「カメラRAW」タブの「クリップ」設定を色々試してみると、Blackmagic RAWでの作業がいかにパワフルで柔軟性に富むものか分かるはずです。



「カメラRAW」タブの「デコードに使用」メニューで「クリップ」を選択し、クリップのBlackmagic RAW設定を調整

Blackmagic RAW設定の変更

DaVinci ResolveでBlackmagic RAWのクリップ設定を有効にすると、クリップ設定とガンマコントロールが使用できるようになります。これらの設定を調整することで、クリップを完全なプライマリーグレーディングを行なった状態に近づけることができます。DaVinci Resolveのスコープを使用している際に、特にこれはパワフルです。スコープは、クリップにルックを適用する前に、クリップをニュートラルにし、バランスを取る作業をアシストします。

以下で、クリップとガンマコントロールについて説明します。

ISO

この設定を上下させることで、ISOの値を変更できます。最適化のために、クリップをより明るい/暗い開始点に設定する必要がある場合に便利な設定です。

ハイライトリカバリー

チェックを入れると、クリッピングされていないチャンネルの情報を元に、クリッピングしたチャンネルのハイライト情報が再構成されます。

色域の圧縮

このチェックボックスを有効にすると、安全な色域レベルが自動的に維持されます。

色温度

色温度を調整して、イメージのルックを暖かく/冷たくします。各イメージのカラーバランスをニュートラルにする場合に便利な設定です。

テイント

イメージにグリーンまたはマゼンタを加えて、カラーバランスを調整します。

露出

イメージ全体の明るさを微調整するために使用します。

彩度

「彩度」はデフォルトでは1になっており、最低0から最大4の範囲で彩度を調整できます。

コントラスト

デフォルトは1.0です。左右にスライダーを動かしてコントラストを調整します。一番左は最低値の0で、一番右は最高値の2です。

ミッドポイント

Blackmagic Design Filmでは、中間グレイの値はデフォルトで0.38 (38.4%) になっています。スライダーを左にドラッグするとミッドポイントが下がり、右に動かすと100まで上げられます。コントラストがデフォルト設定から変更されている場合、「ハイライト ロールオフ」および「シャドウ ロールオフ」が調整できます。

ハイライト ロールオフ

スライダーを左右にドラッグしてハイライトを調整します。一番左は最低値の0で、一番右は最高値の2です。デフォルト値は1です。

シャドウ ロールオフ

スライダーを左にドラッグするとシャドウが0まで下がり、右に動かすと2まで上げられます。

白レベル

スライダーをドラッグすることで、ガンマカーブのホワイトポイントを調整します。最高値は2、最低値は0です。デフォルト値は1です。

黒レベル

スライダーを右にドラッグすることで、カスタムガンマカーブのブラックポイントを上げます。最低値は-1、最大値は1です。デフォルト値は0です。

ビデオの黒レベルを使用

チェックを入れると、黒レベルをビデオに設定します。

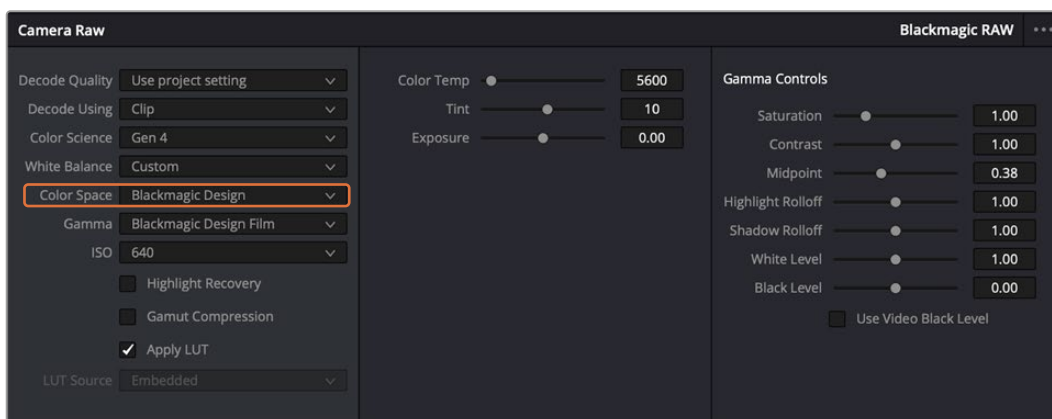
フレームの書き出し

「フレームの書き出し」ボタンをクリックして、Blackmagic RAWクリップから単一のフレームを書き出します。

サイドカーを更新

このボタンをクリックして、現在のクリップ用のBlackmagic RAWサイドカーファイルを更新します。

Blackmagic RAWクリップに加えた変更は、「ガンマ」設定に「Blackmagic Design Custom」として保存されます。



クリップをデフォルトの「ガンマ」オプションに戻したい場合は、ガンマのドロップダウンメニューから任意のオプションを選択するだけで、それが適用されます。

作業のこつ ガンマのコントロールは、「Video」ダイナミックレンジで撮影されたフッターでは無効になっていますが、Blackmagic RAWデータが失われたわけではありません。「Blackmagic Design Film」または「Blackmagic Design Extended Video」をガンマ設定のドロップダウンメニューから選択すると調整できるようになります。

Blackmagic RAWの変更を保存する：

- 1 Blackmagic RAWのガンマのコントロールを調整します。
- 2 「サイドカーを更新」ボタンをクリックします。

サイドカー (.sidecar) ファイルがBlackmagic RAW (.braw) ファイルと同じフォルダーに作成されます。別のユーザーがBlackmagic RAWファイルを読み込むと、DaVinci Resolveは自動的にサイドカーファイルを読み取ります。さらに調整を加えた場合、再び「サイドカーを更新」ボタンを押します。

作業のこつ サイドカーファイルを取り除くには、メディアドライブから削除するだけです。

Blackmagic RAWのプロジェクト設定

ホワイトバランスやISO設定の全体的な変更など、すべてのクリップに共通した設定の変更が必要な場合、プロジェクト設定の「カメラRAW」を使用すると複数のクリップに渡って包括的に変更を加えられます。

Blackmagic RAW用のプロジェクト設定を設定する：

- 1 「ファイル」をクリックし、「プロジェクト設定」を選択して、プロジェクト設定を開きます。
- 2 「カメラRAW」タブの「RAWプロファイル」メニューで、矢印をクリックして「Blackmagic RAW」を選択します。
- 3 「デコードに使用」メニューで「プロジェクト」を選択します。
- 4 メニューから「カラーサイエンス」を選択します。
- 5 ホワイトバランスを「カスタム」にします。
- 6 ガンマのメニューで「Blackmagic Design Custom」を選択します。カラースペースを「Blackmagic Design」に設定します。

- 7 「デコード品質」メニューから解像度を選択します。低い解像度に設定すると、性能が限られたシステムでも円滑に再生できます。解像度は、後に納品のために高品質の出力を行う前に、フル解像度に変更することも可能です。

これで、彩度、コントラスト、ミッドポイントなどのカメラ設定を調整する準備が整いました。これは、デコードに「プロジェクト」を使用するように設定されたプロジェクトのすべてのクリップに影響します。

カラーページでクリップのカラーコレクションを行う

タイムラインにクリップを追加し、タイトルを付けたので、カラーページでカラーコレクションを実行する準備が整いました。カラーページは極めてパワフルな機能を搭載しており、作品の全体的なルックを決定づけます。ここでは、クリップに一貫性を持たせるために、クリップをニュートラルな状態にする作業を行います。編集に変更を加えたい場合、いつでもカットページやエディットページに戻って作業することも可能です。

カラーページは編集のルックを調整できます。色々な意味で、カラーコレクションは芸術形態のひとつと言えます。カラーコレクションを行うことで、作品に感情を追加できます。ワークフローの中でクリエイティビティが大いに要求される作業であり、様々なスキルを身に付け、その結果をスクリーンで目にする事で非常に高いやりがいを感じられます。これは、カラーコレクションの最初のステップで、プライマリーカラーコレクションまたはプライマリーと呼ばれます。プライマリーカラーコレクションが完了したら、セカンダリーカラーコレクションを行います。セカンダリーでは、イメージの特定の被写体に対して、極めて高精度な色の調整が可能です。これは非常に楽しい作業ですが、通常プライマリーの後に行われます。プライマリーを先に行うことで、作業をより効率化し、より良い結果が最終的に得られます。

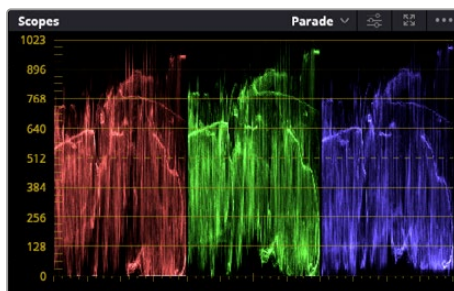
はじめに、「カラー」タブをクリックしてカラーページを開きます。

「カメラRAW」設定、カラーホイール、カーブパレット、カラーコレクションツール全般、プレビューウィンドウ、ノードウィンドウが表示されます。表示される膨大なツール群に戸惑う必要はありません。これらはすべて、ユーザーが素晴らしい映像を作成するのを手助けする機能です。このセクションは基礎を紹介するものです。詳細情報は、マニュアルの該当セクションを参照してください。マニュアルでは、すべてのツールの使用目的と使い方を簡単な手順で紹介しています。ハイエンドのカラーコレクションスタジオで専門家が用いるのと同じテクニックを習得できます。

通常、プライマリーカラーコレクションの最初のステップは、クリップのシャドウ、ミッドトーン、ハイライトのレベルを最適化することです。つまり、「リフト」、「ガンマ」、「ゲイン」の設定を調整します。この作業は、クリーンでバランスが取れた作業開始点を作成することで、その後に行うカラーグレーディングで最も素晴らしいルックを得るために役立ちます。レベルの最適化には、スコープが役立ちます。

スコープの使用

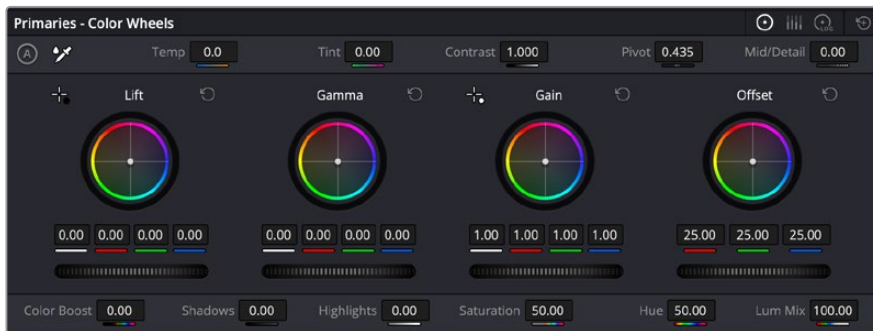
カラーリストの多くは、作品に持たせたい感情/ルックに焦点を当てカラーを選択し、それに基づき、モニターを使用してそのルックを完成させます。日常的なオブジェクト、それらと相互作用する様々な光を見ることで、映像に対してどのような効果を加えられるか、実験しながらアイデアを生み出すことができます。



パレードスコープは、ハイライト、ミッドトーン、シャドウの最適化に役立ちます

カラーグレーディングのもう一つの方法に、内蔵スコープを使用してショットのバランスを取る方法があります。ビデオスコープは「スコープ」ボタンをクリックして開きます。「スコープ」ボタンは、パレットツールバーの右から2番目のボタンです。スコープの表示は、波形、パレード、ベクトルスコープ、ヒストグラム、CIE色度スコープから選択できます。これらのスコープは、トーンのバランスのモニタリング、黒つぶれや白飛びを防ぐためのビデオレベルの確認、クリップ内の色かぶりチェックなど、様々な目的に使用できます。

「カラーホイール」には、一般的に最初の調整に使用する「リフト」、「ガンマ」、「ゲイン」のコントロールがあります。カラーコレクションの経験がある場合、これらは他のアプリケーションでカラーやコントラストの調整を行う上で使用したコントロールに似ていることに気付くでしょう。



「リフト」、「ガンマ」、「ゲイン」、「オフセット」のカラーホイールで、クリップのカラーおよびトーンのバランスを完全にコントロールできます。各トーン領域のすべてのカラーに同じ調整を加えたい場合は、各カラーホイールの下のダイヤルを左右にドラッグします



プライマリーバーではマウスを使用したカラー調整が簡単に行えます

マウスを使って各カラーをより正確にコントロールするには、カラーホイールを「プライマリーバー」に変更します。プライマリーバーは、リフト、ガンマ、ゲインを別々にコントロールして各カラーおよび輝度チャンネルを調整できます。カラーホイールの右上にあるドロップダウンメニューから「プライマリーバー」を選択します。

「リフト」の調整

カラーページのタイムラインでクリップを選択し、1つ目のカラーホイールの下にある「リフト」ダイヤルをクリックします。ダイヤルを左右にスライドし、イメージへの影響を確認します。イメージ内の暗い領域で明るさが増減するのが分かります。

暗い領域の明るさを、最適なレベルに設定します。リフトを下げすぎるとブラックのディテールが失われます。これを避けるには、パレードスコープが役立ちます。波形で確認する場合のブラックの最適な位置は、パレードスコープの底辺のすぐ上です。

「ゲイン」の調整

「ゲイン」ダイヤルをクリックして、左右にスライドします。クリップの最も明るい部分であるハイライトを調整できます。ハイライトは、パレードスコープの波形の一番上の部分に表示されます。照明が明るいシ

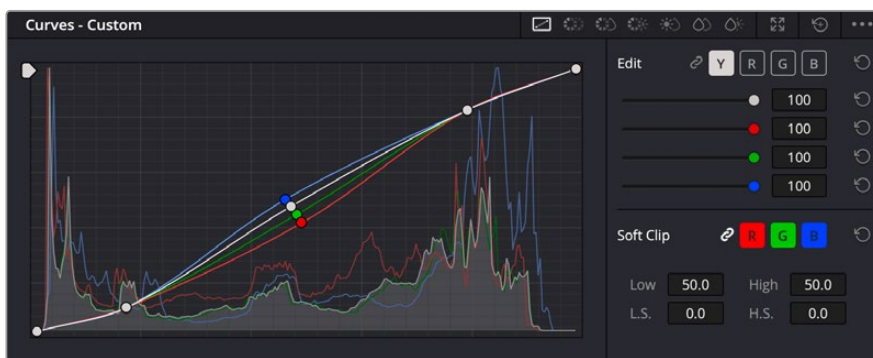
ヨットの場合、ハイライトの最適な位置は、波形スコープの一番上のラインのすぐ下です。ハイライトが波形スコープの一番上のラインを超えている場合、ハイライトはクリップされ、イメージ内の最も明るい領域の詳細が失われます。

「ガンマ」の調整

カラーホイールの下に「ガンマ」ダイヤルをクリックして、左右にスライドします。ガンマの値を上げるとイメージが明るくなるのが分かります。ガンマを調整すると、波形の中間の部分も動きます。この部分は、クリップのミッドトーンを示しています。ミッドトーンの最適な位置は、通常、波形スコープの50～70%の間ですが、作成するルックやクリップの照明条件、目的や好みにより異なります。

また、カーブパレットを使用してプライマリーカラーコレクションを行えます。カーブグラフの斜線をクリックしてコントロールポイントを作成します。それらを上下にドラッグして、イメージ色調の異なるエリアのマスターRGBコントラストを調整します。調整に最適なポイントは、カーブラインの下から3分の1、中間、上から3分の1の位置です。

DaVinci Resolveでプライマリーカラーコレクションを行う方法は他にもたくさんあります。



「カーブ」パレットは、プライマリーコレクションやPower Windowでクリップの特定の部分を強調する際に使用できるもうひとつのツールです。

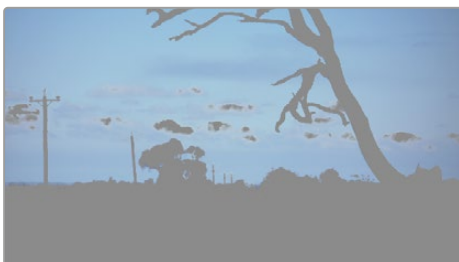
セカンダリーカラーコレクション

イメージの特定の部分を調整したい場合は、セカンダリーコレクションを使用する必要があります。リフト/ガンマ/ゲインを使用してこれまでに行った調整は、イメージ全体に同時に適用されるため、プライマリーカラーコレクションと呼ばれます。

一方、シーンの芝生のカラーや空のブルーのみを変更するなど、イメージの特定の部分を調整する必要がある場合は、セカンダリーコレクションを使用します。セカンダリーカラーコレクションでは、イメージを部分的に選択し、その部分のみを調整できます。ノードを使用して複数のセカンダリーコレクションを重ねられるため、すべてを別々に調整して完璧なイメージを作成できます！さらにウィンドウやトラッキングなどの機能で、イメージ内の動きを追跡できます。

カラーの分離

道路沿いの芝生や空のブルーなどクリップ内のカラーを強調したり、対象物のカラーを調整してオーディエンスの注意を引いたりなど、特定のカラーを強調することで様々な効果が得られます。HSLクオリファイアーツールを使用すれば、特定のカラーを簡単に分離できます。



HSLクオリファイアーでイメージ内のカラーを選択することは、イメージを部分的に際立たせたり、ショットの特定の部分にオーディエンスの注意を集めたい場合などに役立ちます。

特定のカラーを分離する：

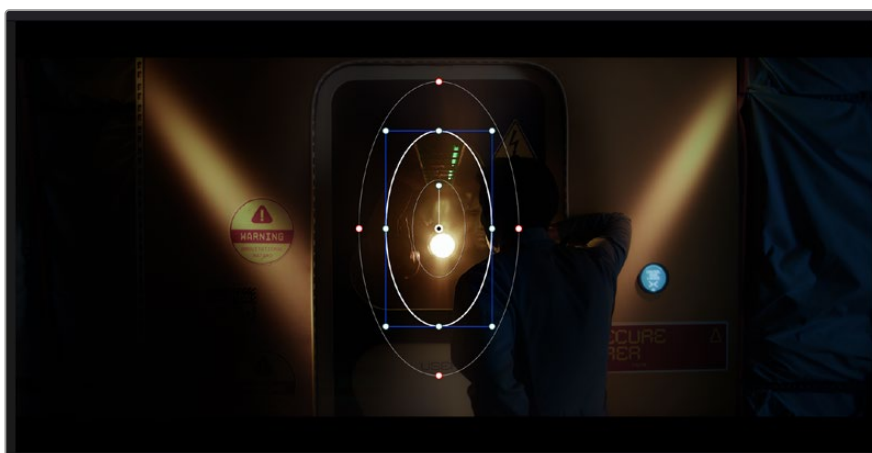
- 1 新しいシリアルノードを追加します。
- 2 「クオリファイアー」パレットを開き、「選択範囲」ピッカーツールを選択します。
- 3 クリップ内の調整したいカラーをクリックします。
- 4 通常、選択した領域のエッジを滑らかにし、目的のカラーのみに制限するには多少の調整が必要です。選択した領域を確認するには、ビューア上部にある「ハイライト」ボタンを押します。
- 5 「色相」の「幅」コントロールを調整して、選択する色相の幅を調整します。

「高」、「低」、「ソフトネス」コントロールを調整して、選択領域への影響を確認します。これで、カラーホイールまたはカスタムカーブを使用して、選択したカラーへのコレクションを開始できます。

時として、作業の影響を与えたくない領域のカラーもわずかに選択されてしまう場合があります。その場合はPower Windowを使用して、必要ない領域を簡単にマスクできます。新しいウィンドウを作成したら、目的のカラーの部分に合わせて形を整えるだけです。選択したカラーに動きがある場合は、トラッキング機能を使用してPower Windowを追跡できます。

Power Windowを追加

Power Windowは、クリップの特定の領域を分離できる、極めて効率的なセカンダリーカラーコレクション・ツールです。分離する領域は静止している必要はなく、カメラのパン、ティルト、回転、さらにはその領域の動き自体に合わせてトラッキングできます。



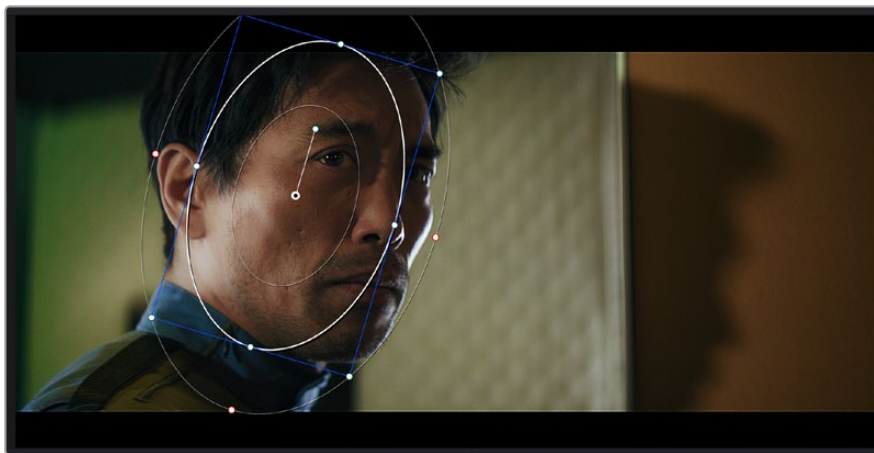
HSLクオリファイアーによるセカンダリーコレクションを適用したくない部分は、Power Windowでマスクできます。

例えば、人物に合わせたウィンドウをトラッキングして、周囲に影響を与えず、その人物のカラーとコントラストのみを調整できます。このようなカラーコレクションを行うことで、オーディエンスの注意を集めた部分のみを強調できます。

クリップにPower Windowを追加する：

- 1 新しいシリアルノードを追加します。
- 2 「ウィンドウ」パレットを開き、シェイプアイコンをクリックしてウィンドウシェイプを選択します。選択したウィンドウシェイプがノードに表示されます。
- 3 シェイプの周りの青いポイントをクリック&ドラッグして、シェイプのサイズを調整します。赤いポイントでは、エッジのソフトネスを調整できます。作成したシェイプは、中央のポイントをクリック&ドラッグして位置を変更し、分離したい領域に合わせられます。中央のポイントとつながったポイントでは、シェイプを回転できます。

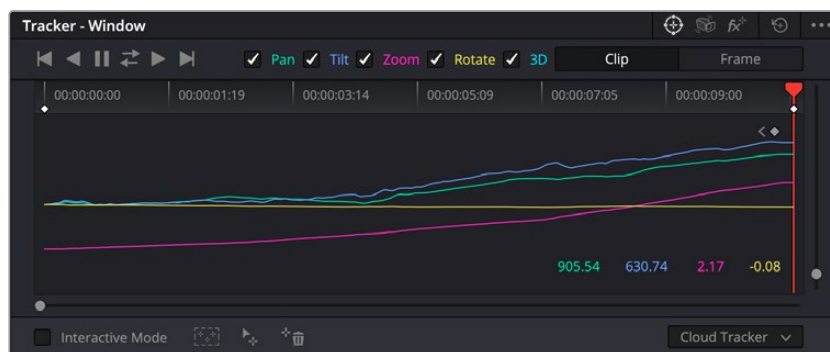
これで、必要な領域のみに制限したカラーコレクションが可能です。



Power Windowを使用して、イメージ内の特定の部分にセカンダリーコレクションを適用できます。

ウィンドウのトラッキング

撮影に使用したカメラまたは撮影した被写体には、動きがある場合があります。DaVinci Resolveのパワフルなトラッキング機能を使用すると、ウィンドウで被写体/領域を確実に追跡できます。トラッキング機能では、カメラや被写体のパン、ティルト、回転を分析して、それらの動きにウィンドウをマッチできます。この作業を行っていない場合は、選択したターゲットからカラーコレクションが外れ、望ましい結果が得られないことがあります。



トラッキング機能で被写体/領域を追跡できるため、Power Windowがアクションを追います。

動く被写体のウィンドウをトラッキングする：

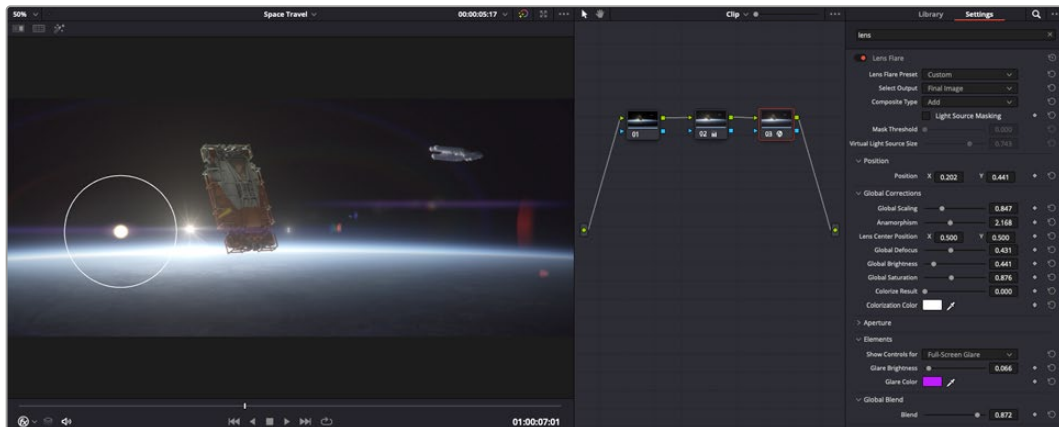
- 1 新しいシリアルノードを作成し、Power Windowを追加します。
- 2 クリップを開始点に合わせ、ウィンドウの位置やサイズを調整し、目的の被写体/領域のみに焦点を合わせます。
- 3 「トラッカー」パレットを開きます。パン、ティルト、ズーム、回転、遠近3Dから、クリップ内の動きに最適なものを選択し、チェックボックスをオンにします。
- 4 チェックボックスの左にある順方向への矢印をクリックします。DaVinci Resolveがトラッキングポイントをクリップに適用し、動きを分析しながら以降のフレームへと進みます。トラッキングが終わると、Power Windowがクリップ内の動きのパスを追跡します。

トラッキングはほとんどの場合に成功しますが、複雑なシーンや、選択した領域の前を障害物が通るケースでは、トラッキングに影響が出る場合があります。この問題は、キーフレームエディターを使用して解決できます。詳細は、DaVinci Resolveマニュアルを参照してください。

プラグインの使用

セカンダリーカラーコレクションでは、ResolveFXまたはOpenFXプラグインを追加できます。プラグインを追加することで、カラーページでは魅力的なルックやエフェクトを、カットページとエディットページでは想像力に富んだトランジションやエフェクトをすばやく作成できます。ResolveFXはDaVinci Resolveと一緒にインストールされ、OFXプラグインはサードパーティのサプライヤーから購入/ダウンロードできます。

OFXプラグインのインストールが完了したら、ResolveFXと同様に、カラーページの「ノードエディター」の右にある「OpenFX」インスペクタからアクセスできます。新しいシリアルノードを作成したら、「OpenFX」ボタンをクリックしてFXライブラリを開き、そのノードにプラグインをドラッグ&ドロップします。プラグインに変更可能な設定がある場合は、隣の「設定」パネルで調整できます。



OFXプラグインを使用して、想像力に富んだ魅力的なルックをすばやく簡単に作成できます。

エディットページでは、クリップにプラグインフィルター、ジェネレーター、トランジションを追加できます。この作業は、「エフェクトライブラリ」の「OpenFX」パネルを開き、プラグインの要件に合わせ、選択したプラグインをタイムライン上のクリップの上にあるビデオクリップまたはトラックにドラッグすることで実行できます。

エディットページでオーディオをミックス

プロジェクトの編集とカラーコレクションが終わったら、オーディオのミックスを開始できます。DaVinci Resolveのエディットページには、オーディオの編集、ミックス、マスタリングが直接行える便利な機能が搭載されています。より高度なオーディオツールが必要なプロジェクトでは、完全なオーディオポストプロダ

クッション環境を実現するFairlightページを使用できます。エディットページの使用方法をすでに理解しており、Fairlightに関する項目に進みたい場合は、このセクションを飛ばして次のセクションに進んでください。

オーディオトラックの追加

エディットページで基本的なサウンドをミックスする上で、サウンドエフェクトや音楽を多数使用する場合は、必要に応じてオーディオトラックを簡単に追加できます。オーディオトラックを追加すると、サウンドを構築する過程において会話、サウンドエフェクト、音楽などのオーディオ素材を別々のトラックに分けて管理できます。

エディットページにオーディオトラックを追加する

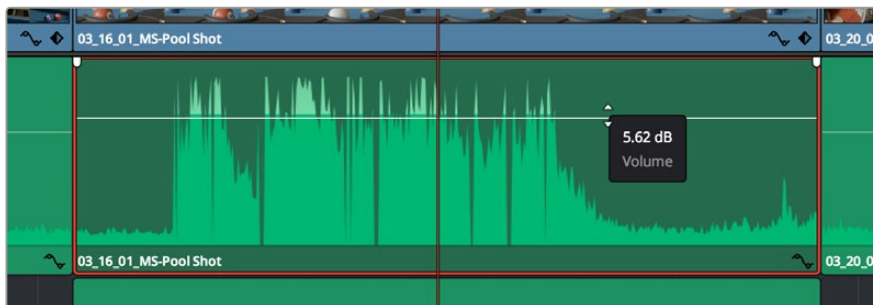
タイムラインでオーディオトラックのトラック名の領域を右クリックし、「トラックを追加」を選択します。「モノ」、「ステレオ」、「5.1」などの中から、任意のオプションを選択します。トラックリストの一番下にトラックが追加されます。あるいは「トラックを追加」を選択すると、1つあるいは複数の新しいトラックを任意の位置に配置できます。

新しいオーディオトラックがタイムラインに表示されます。

作業のこつ トラックを作成した後に種類を変更したい場合、トラック名の隣を右クリックして「トラックの種類を変更」を選択すると、オーディオトラックの種類を「モノ」、「ステレオ」、「5.1」などに変更できます。

タイムラインでオーディオレベルを調整

タイムラインの各オーディオクリップには、ボリュームオーバーレイがあります。クリップのレベルはこのオーバーレイをポインターで上下にドラッグするだけで簡単に設定できます。このオーバーレイは、インスペクタの「ボリューム」パラメーターと連動しています。

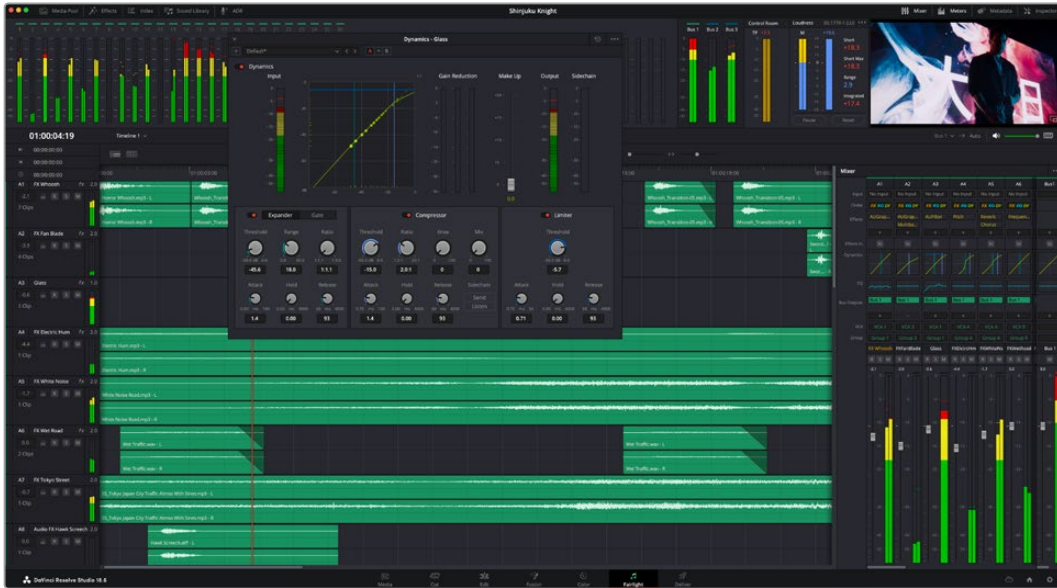


ボリュームオーバーレイをドラッグしてクリップレベルを調整

より高度なオーディオツールが必要なプロジェクトでは、完全なオーディオポストプロダクション環境を実現するFairlightページを使用できます。

Fairlightページ

DaVinci ResolveのFairlightページではプロジェクトのオーディオの調整を行います。単一モニターモードでは、Fairlightページはプロジェクトのオーディオトラックに最適化されたレイアウトになります。拡大されたミキサーと様々なモニタリングコントロールでレベルの評価や調整を行い、滑らかでバランスの取れたミックスを作成できます。表示される膨大なツール群に戸惑う必要はありません。これらはすべて、優れたオーディオ品質を得るためのアシストを行う機能です。



このセクションではFairlightページの基本的な機能について説明します。各機能の詳細はDaVinci Resolveマニュアルを参照してください。DaVinci Resolveマニュアルでは各ツールの目的や使用方法が簡単なステップで紹介されています。

オーディオタイムライン

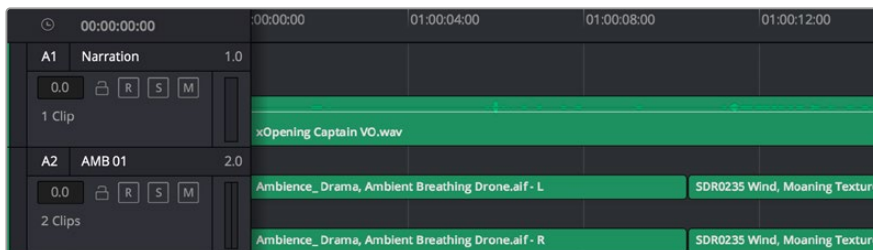
オーディオタイムラインは、現在選択されているタイムラインのオーディオチャンネルとトラックをトラックごとに1チャンネルずつ表示します。これはオーディオミキシングやスイートニングに適したレイアウトです。

トラックヘッダー

各トラックの左にはヘッダーエリアがあります。ヘッダーにはトラック番号、トラック名、トラックカラー、オーディオチャンネル、フェーダー値、オーディオメーターが表示されます。またトラックヘッダーには、トラックのロック/解除や、ソロ/ミュートを切り替えるコントロールもあります。これらのコントロールはトラックを管理する上で便利だけでなく、各トラックを個別にモニタリングする場合にも使用できます。

トラック

Fairlightページの各トラックは複数のレーンに分かれています。これらのレーンは各クリップに含まれるオーディオチャンネルで、オーディオの編集やミックスのために表示されます。エディットページでは各オーディオチャンネルは非表示となり、タイムラインには単一のクリップのみ表示されます。多数のトラックを扱う必要がなくなるので、マルチチャンネルのソースを簡単に編集できます。



トラックヘッダーは各トラックの情報を表示します。トラック「A1」はレーンが1つ（モノ）のモノトラックです。トラック「A2」はレーンが2つ（ステレオ）のステレオトラックです。

バスとは

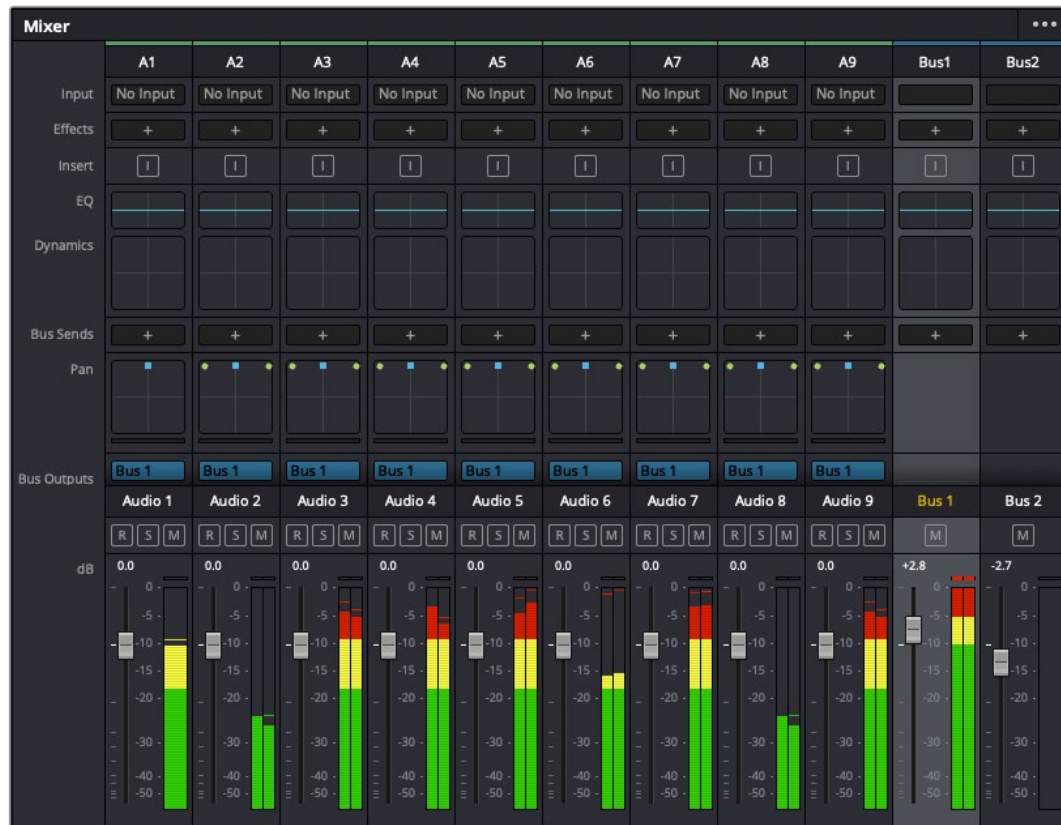
バスとは、複数のオーディオソースをグループ化して単一の信号にするためのチャンネルです。バスにまとめた信号は、1つのチャンネルストリップで制御できます。Fairlightは自動的にバスを作成し、タイムラインの全オーディオトラックがデフォルトでこのバスに送信されます。つまり、各トラックのレベルを調整した後で、オーディオミックス全体のレベルを調整できます。

複雑なプロジェクトでは、さらにバスを追加し、同じカテゴリーに属する複数のオーディオトラック（会話、音楽、エフェクトなど）を同じバスにまとめることで、各カテゴリー内の全素材を1つのオーディオ信号として扱い、ミックスを行えます。例えば、5つの会話トラックがある場合は、全5トラックの出力を1つのバスにルーティングすることで、すべての会話のレベルを1つのコントロールセットで調整できます。

FairlightのFlexbus構造では、バスの種類および信号のルーティングが完全に柔軟になり、バスからバス、トラックからバス、バスからトラックのルーティングが可能になりました。Fairlightのオーディオバス設定の詳細は、DaVinci Resolveマニュアルを参照してください。

ミキサー

ミキサーには、タイムラインの各オーディオトラックに対して1つずつチャンネルストリップがあります。さらに、デフォルトバス（Bus 1）用のストリップが1つ右側にあります。チャンネルストリップを追加すると、作成したバスのコントロールセットと一緒に右側に表示されます。これらのグラフィックコントロールを使用して、トラックチャンネルの出力チャンネルへの割り当て、EQやダイナミクスの調整、ボリュームやオートメーションの記録の設定、ステレオ/サラウンドオーディオのパン、トラックのミュートやソロなどを実行できます。

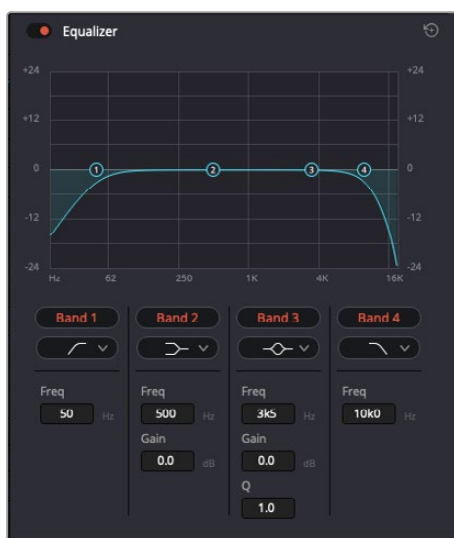


オーディオミキサー。タイムラインのトラックごとにチャンネルストリップがあります。

EQでオーディオを引き立てる

オーディオクリップのレベルを調整した後、他の微調整が必要な場合があります。例えば、会話、音楽、サウンドエフェクトのオーディオスペクトルが同じ周波数帯で競合し、オーディオが混み合って聞き取りにくいことがあります。このような場合はEQが便利で、各トラックが占めるオーディオスペクトルを設定できます。またEQは、特定の周波数（低いざわめき、騒音、風や空気のノイズなどが含まれる帯域）のレベルを限定的に下げ、オーディオの不要な成分を排除したり、音響の全体的な品質を向上させるためにも使用できます。

DaVinci ResolveのEQフィルターは、各クリップに個別に、あるいはトラック全体に適用できます。タイムラインの各オーディオクリップはインスペクタに4バンドのイコライザーがあります。また、各トラックはミキサーパネルに6バンドのパラメトリックイコライザーがあります。グラフィックおよび数値によるコントロールで異なる周波数帯域を増強/減衰させ、数種類のフィルターでEQカーブの形状を指定できます。



タイムラインのクリップには4バンドのイコライザーを適用できます。

両外側の2バンドのバンドフィルターには、ハイシェルフ/ローシェルフ/ハイパス/ローパスを選択できます。パスフィルターは特定の周波数より上（または下）の全周波数に影響し、それらの周波数は信号から完全に除去されます。例えばハイパスフィルターでは、高周波数はフィルターを通過し、低周波数はカットされます。しきい値を超えるすべての周波数は下向きのカーブで段階的にカットされます。

シェルフフィルターはパスフィルターよりやや控えめのフィルターで、信号の高周波数や低周波数を全体的に、しかし完全には除去せずに調整したい場合に便利です。ハイシェルフフィルターおよびローシェルフフィルターを使用して、特定の周波数およびその上（または下）の全周波数を均等にブースト/カットできます。

中央の2バンドでは様々なイコライザー調整が可能で、フィルターはローシェルフ、ベル、ノッチ、ハイシェルフから選択できます。

ベル

ベルフィルターを使用すると、設定したセンターポイントとその周辺の周波数をブースト/カットできます。フィルターの名前が示すようにベル（鐘）状のカーブが形成されます。

ノッチ

ノッチフィルターは、周波数を非常に狭い範囲で選択できます。例えば、ハムノイズを50または60Hzで除去します。

ローシェルフ

低域の特定の周波数およびそれ未満の全周波数をブースト/カットできます。

ハイシェルフ

高域の特定の周波数およびそれを超える全周波数をブースト/カットできます。

EQを個別のクリップに追加する：

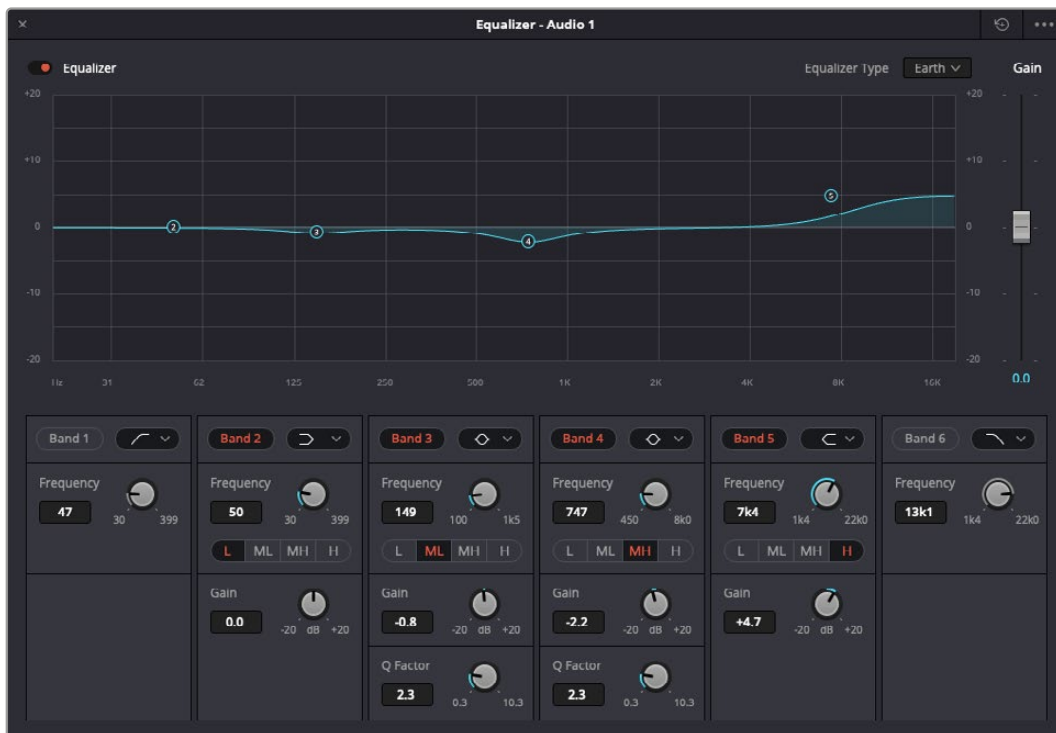
- 1 EQフィルターを追加したいクリップをタイムラインで選択します。
- 2 インспекタをクリックし、「イコライザー」ボタンをクリックして有効にします。

EQをトラックに追加する：

- 1 ミキサーで任意のトラックのEQセクションをダブルクリックし、イコライザーを開きます。
- 2 調整を行うバンドのドロップダウンメニューから、バンドフィルターの種類を選択します。



ミキサーパネルのEQセクション。トラック1にEQカーブが適用されているのが分かります。



6バンドのパラメトリックイコライザー。トラック別に適用できます。

クリップまたはトラックのEQを追加した後は、各バンドを個別に調整できます。調整に使用できるコントロールは、選択しているバンドフィルターによって異なります。

バンドフィルターのEQを調整する：

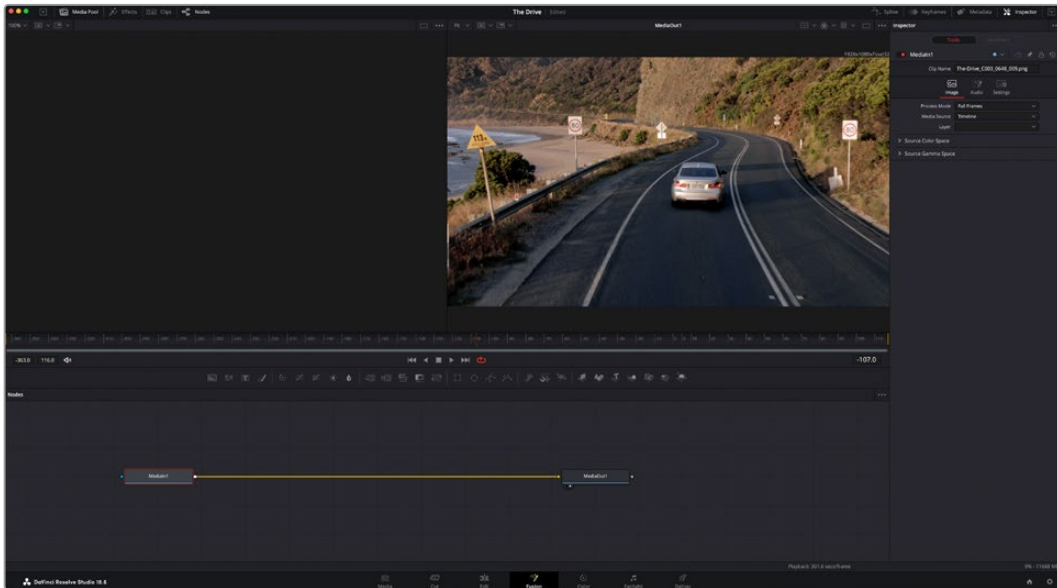
- 1 調整を行うバンドのドロップダウンメニューから、バンドフィルターの種類を選択します。
- 2 「周波数」の値を調整します。この値がEQ調整の中心になります。
- 3 「ゲイン」の値を調整して、対象周波数を増強/減衰させます。
- 4 「Qファクター」の値で、影響を受ける周波数の幅を調整します。

リセットボタンを押すと、EQウィンドウのすべてのコントロールがデフォルト値に戻ります。

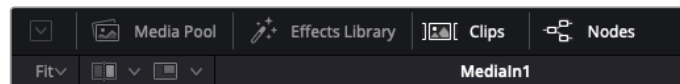
Fairlightページには各オーディオトラックの品質を向上させるコントロールが数多く搭載されています。必要に応じてトラックを追加し、それらをバスに割り当てて管理し、さらにディレイやリバーブなどのエフェクトを追加してオーディオミックスを仕上げることができます。

FusionページでVFXおよび合成を追加

編集が終わった後は、Fusionページで2D/3DのVFXやモーショングラフィックスをDaVinci Resolve内で追加できます。レイヤーベースの合成ソフトウェアと異なり、Fusionではノードを使用するため、イメージデータをあらゆる方向にルーティングしながら、複雑なエフェクトを柔軟に構築できます。ノードウィンドウには、作業の進行に合わせて、使用しているツールが表示されます。カラーページでノードを用いたワークフローの経験がある方にとっては、慣れ親しんだ作業だと感じられるでしょう。



Fusionページには、メディアを表示するための2つのビューアがトランスポートコントロールの上に搭載されており、右側の「インスペクタ」ウィンドウではツール設定にアクセスできます。画面下部のノードウィンドウは、合成の作成に使用します。ビューアとトランスポートコントロールは常に表示されていますが、ディスプレイの一番上にあるインターフェースツールバーのアイコンをクリックすると、ノードウィンドウと「インスペクタ」ウィンドウの表示/非表示を切り替えられます。また、エフェクトライブラリや、スプラインおよびキーフレームのエディターなどの追加ウィンドウも表示/非表示を切り替えられます。



メディアプール

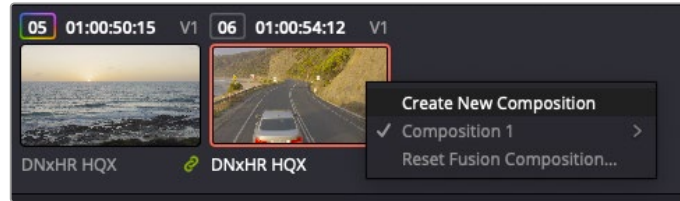
メディアプールは、エディットページと同様に機能します。追加のメディアをピンから直接合成にドラッグ&ドロップするだけです。

エフェクトライブラリ

エフェクトライブラリにはFusionのツールやテンプレートがあり、パーティクル、トラッキング、フィルター、ジェネレーターなどカテゴリ別に分かれています。ツールをクリックするか、ノード領域にドラッグして、合成に追加します。メディアプールとエフェクトライブラリは画面の同じ領域に表示されるため、これらの表示を切り替えて使用することでビューアのサイズを最大に保てます。

クリップ

「クリップ」タブをクリックすると、タイムラインのクリップと一致するサムネイルの表示/非表示を切り替えられます。サムネイルはノードエディターの下に表示されるため、瞬時に他のクリップにナビゲートできます。



新しいバージョンの合成を作成するには、サムネイルを右クリックして「新規コンポジションを作成」を選択します。

ビューア

ビューアは常に表示されており、合成の過程における異なる段階を確認できます。例えば、Merge 3Dノードを介した全体的な3D視点や、カメラ出力、最終レンダリング出力などを確認できます。これらのビューアは、特定の変更が各エレメントに与える影響を確認できます。

表示するノードを選択するには、ノードをクリックし、左のビューアに表示する場合は「1」、右のビューアに表示する場合は「2」と入力します。ビューアに割り当てられているノードの下には、白いボタンのアイコンが表示されます。外部ビデオモニターを使用している場合は、メディアを外部ビデオモニターにルーティングするための3つ目のボタンが表示されます。

作業のこつ ノードをビューアに割り当てるには、ノードをビューアにドラッグします。

ビューア下のトランスポートコントロールでは、クリップの開始または終了部分へのスキップ、順方向/逆方向への再生、停止が実行できます。タイムルーラーはクリップ全体の長さを表示し、黄色のマークはイン点とアウト点を意味します。



タイムルーラーの黄色のマークは、タイムラインのクリップのイン点とアウト点を示します。Fusionクリップまたは複合クリップを使用している場合、タイムルーラーはタイムラインに表示されているクリップの長さのみをハンドルなしで表示します。

ノード

ノードウィンドウはFusionページの核となる部分です。ここで、1つのノード出力から別のノード入力にツールを接続することで、ノードツリーを作成します。この領域は、開いているエディター（スプラインエディターやキーフレームエディターなど）によって大きさが変わります。ノード領域の上にあるツールバーでは、最も頻繁に使用されるツールにすばやくアクセスできます。

スプライン

スプラインエディターを開くと、ノードウィンドウの右側に表示されます。このエディターでは、各ノードに詳細な調整を加えられます。例えば、ベジェカーブを使用して2つのキーフレーム間のアニメーションをスムーズにする場合などに使用します。

キーフレーム

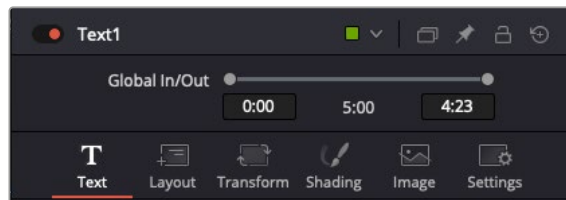
各ツールへのキーフレームは、キーフレームエディターから追加、除去、調整できます。このエディターもノードウィンドウの右側に表示されます。

メタデータ

メタデータウィンドウは、現在アクティブなクリップに使用可能なメタデータを表示します。これには、コーデック、フレームレート、タイムコードなどが含まれます。

インスペクタ

右上にあるインスペクタは、選択された1つまたは複数のノードで使用可能なすべての設定と修飾機能 (Modifier) を表示します。ノードに応じて追加のタブが表示され、そのノードで使用できる他の設定にカテゴリー別に簡単にアクセスできます。

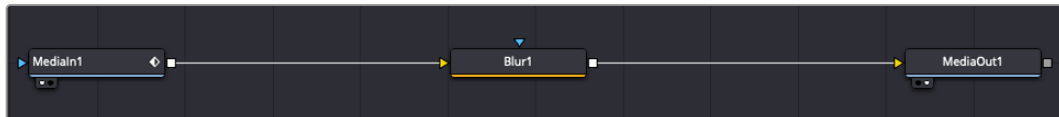


テキストインスペクタに含まれる、テキスト、レイアウト、変形、シェーディング、イメージ、設定の追加タブ。

Fusionを使い始める

Fusionで作業を始めるには、再生ヘッドをタイムラインのクリップ上に配置し、「Fusion」タブをクリックしてFusionページを開きます。

Fusionページでは、クリップは「MediaIn」と名前がついたメディア入力ノードでただちに使用できます。すべての合成作業は、「MediaIn」および「MediaOut」ノードから始まります。「MediaIn」ノードは、再生ヘッドがある位置の一番上にあるクリップで、その下に位置するクリップは無視されます。エディットページで加えた調整（変形ツールやクロッピングの変更など）もすべて含まれます。



「MediaOut」と名前がついたメディア出力ノードは、DaVinci Resolveのエディットページのタイムラインに出力を送信するノードです。

作業のこつ カットまたはエディットページでクリップに適用されたResolveFXやOFXプラグインは、Fusionページでは適用されません。この理由は、FusionのエフェクトはカラーコレクションおよびOFX/ResolveFXの処理の前に実行されるからです。Fusionエフェクトの前にOFXを適用したい場合は、Fusionページをクリックする前に、エディットページでクリップを右クリックし、「新規Fusionクリップ...」を選択します。

ノードを理解する

Fusionを使用するにあたって、各ノードは単一のツールやエフェクトを意味する視覚的なアイコンであると考えれば作業がしやすくなります。ノードは、別のノードに接続することで合成を作り上げます。例えるなら、ケーキの材料のような存在です。各ノードの入力と出力を理解することで、ディテールに富んだVFXの作成にあたり、合成の流れを上手く構築できます。

一部のツールには、他のノードに接続できる入力と出力が複数あります。例えば、マージノードは、前景入力、後景入力、マットやキー用のマスク入力に接続できます。

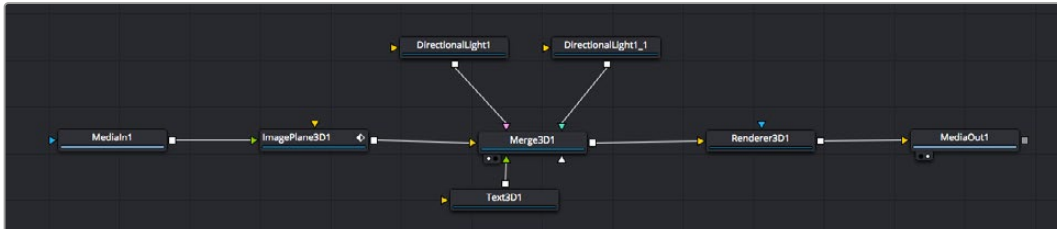


ノードに複数の出力があることで、単一のノードを多数の異なるノードに接続できるため、クリップを複製する必要がありません。これが、レイヤーベースのソフトウェアと異なる点です。接続したノード間のライン上に表示される矢印は、イメージデータの流れの方向を示しています。

ノードエディターにノードを追加

エフェクトの追加は、「MediaIn」および「MediaOut」ノードの間のラインにノードを配置するだけで実行できます。

これを行うには複数の方法があります。1つ目は「Shift」を押しながらノードを2つのノード間にドロップする方法です。2つ目は、エフェクトを接続したいノードをはじめにクリックして、次に追加したいツールを選択する方法です。この方法では、選択したツールに新しいノードが自動的に接続されます。また、ノードウィンドウ内のあらゆる場所にノードを追加し、マニュアルでドラッグしてノード出力とノード入力を接続することも可能です。



最も頻繁に使用されるツールは、2Dまたは3Dマージノードです。ノードエディターの複数のツールを単一の出力にまとめるハブとして機能します。

マージノードでは、入力を接続するにあたって、サイズ、配置、ブレンドなどをコントロールできます。これらの設定は、マージノードが選択された際に表示される「インスペクタ」パネルから使用できます。

ノードパネルの上のツールバーには、使用頻度の最も高いツールがアイコンとして表示されます。ノードを追加するには、アイコンをクリックするか、ツールをノードパネルにドラッグします。使用可能な全ツールを確認するには、左上にある「エフェクトライブラリ」をクリックした後、「Tools」の隣の矢印をクリックします。すべてのツールがカテゴリー別にリストアップされます。さらに、事前に作られた「Templates」もここで同様に確認できます。テンプレートには、「Lens flares」、「Shaders」、「Backgrounds」などがあります。

作業のこつ ツールの名前を覚えたら、キーボードで「Shift」+「スペース」を押すと、「Select Tools」のウィンドウが表示されます。ツール名を入力すると、関連のツールに絞り込まれます。これは、必要なツールを非常にすばやく選択できる方法です。

インスペクタパネルを使用してノードを調整

「インスペクタ」パネルでノード設定を調整します。変更したいノードをクリックすると、パネルが更新され、該当の設定やコントロールが表示されます。

Fusionでは、編集しているノードを見る必要はなく、ノードを変更しながら合成の別のノードを見るのが可能です。例えば、「Merge」ノードをビューアに表示した状態で「Text+」ノードのサイズと中心位置を変更できます。これにより、後景に対するテキストの状態を見ながら作業が行えます。



選択したノードの外枠は赤に変わります。この写真では「インスペクタ」パネルに、テキストノードの「Layout」タブにあるコントロールが表示されています。

各ノードで調整できるパラメータや設定はタスクによって変わります。例えば、サイズや中心位置の調整から「Emitter」ノードのパーティクル数の変更などに切り替わります。キーフレームを設定して、その後に行なった変更は、エフェクトのアニメートに影響します。

キーフレームを使用した作業

「インスペクタ」ウィンドウで設定の1つを右クリックして、コンテキストメニューから「Animate」を選択します。該当の設定の右側のキーフレームアイコンが赤に変わります。キーフレームがアクティブになり、今後行う変更は現在のフレームのみに適用されます。2つ以上のキーフレームが、異なるフレームで設定のパラメータを変更したことで作成された場合、それらの間のトランジションは補間されます。キーフレームアイコンの左右の矢印で、それらのタイムライン上での位置に再生ヘッドを移動できます。



この写真では「Size」キーフレームアニメーションがベジェカーブで滑らかな曲線を描いています。ベジェハンドルをクリックしてカーブを長く/短くできます。またキーフレームの四角のアイコンをクリックして、キーフレームの場所を移動できます。

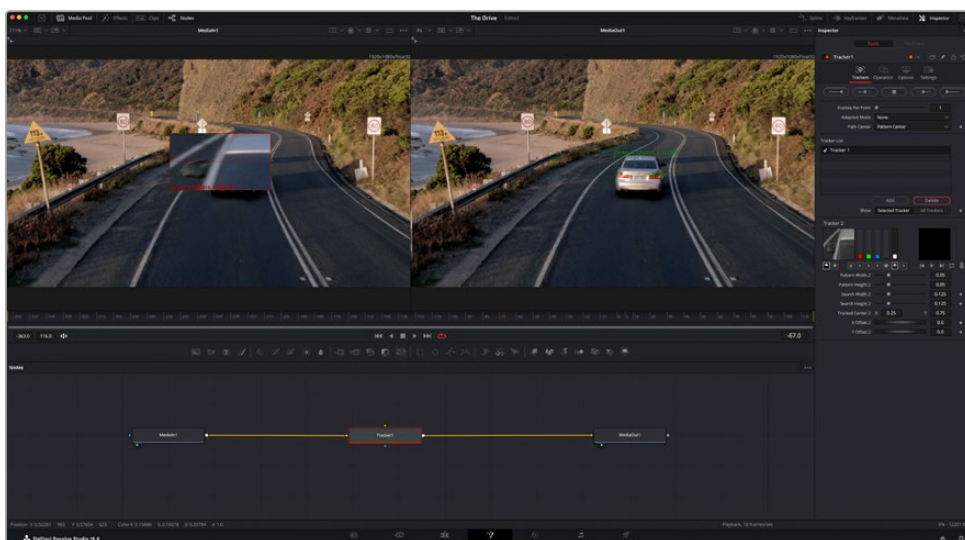
「スプライン」パネルでキーフレームのアニメーションをさらに詳細にコントロールできます。例えば、最初と最後のキーフレームを選択し、それらの間のアニメーションをベジェカーブでスムーズにできます。これは「Shift + S」、またはキーフレームを右クリックして「Smooth」を選択して実行できます。

モーショントラッカーの使用、テキストの追加

Fusionをいかに使用できるかを理解するために、以下に使用例をいくつか記載しています。ここでは、クリップの要素をトラッキングするトラッカーツールの使用方法、テキストを追加した後にトラッキングデータを使用して要素に接続させる方法を紹介します。

「Tracker」ツールは、X軸およびY軸のピクセルをトラッキングし、他の要素に接続するために使用できるデータを生成します。これは、動く被写体（走っている車やフレーム内を飛ぶ鳥など）にテキストの位置をマッチさせたい場合に便利です。

- 1 「エフェクトライブラリ」で「Tracker」ツールを選択し、「MediaIn」と「MediaOut」ノードのライン上にドラッグします。「Tracker」ノードをクリックして、「インスペクタ」でプロパティを表示します。
- 2 キーボードで「1」を押して、左のビューアに「Tracker」ノードを表示します。トラッカーがデフォルト位置に表示された状態で、クリップがビューアに表示されます。マウスポインターをトラッカーに重ねて、トラッカーハンドルを表示します。トラッカーハンドルの左上をクリックし、クリップ上でトラッキングしたい領域にトラッカーをドラッグします。高コントラストの領域で良い結果を得やすいので、トラッカーは車のボンネットのエンブレムなどに配置すると良いでしょう。トラッカーは、詳細な配置が可能ないようにイメージ領域を拡大します。
- 3 「インスペクタ」ウィンドウで、「順方向にトラッキングする」ボタンを押してトラッキングを開始します。トラッキングが終了すると、それを伝えるウィンドウが表示されます。「OK」をクリックします。

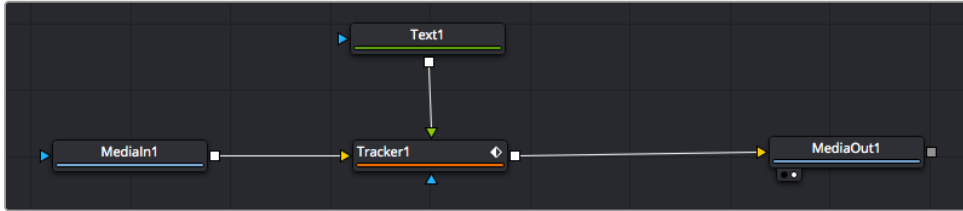


「インスペクタ」パネルのトラッキングのオプションでは、「最後のフレーム/現在のフレームから逆方向にトラッキング」、「停止」、「現在のフレーム/最初のフレームから順方向にトラッキング」が選択できます。

作業のこつ 「現在のフレームから逆方向/順方向にトラッキング」は、トラッキングしたい領域がレンダリングされている範囲外に出ってしまう場合に便利です。例えば、車や鳥がフレーム外に出る場合などです。これにより、関連したフッテージのみをトラッキングできます。

生成されたトラッキングデータを用いて、モーションパスを「Text」ツールに適用します。

- 4 頻繁に使用されるノードのツールバーで「Text+」ノードアイコンをクリックして、ノードパネルの「Tracker」ノードの近くまでドラッグします。「Text」の出力を「Tracker」の緑の前景入力に接続します。



- 5 「Tracker」ノードをクリックして、キーボードで「1」を押します。マージされた結果が左のビューアに表示されます。「インスペクタ」の「Tracker」パネルで「Operation」タブをクリックします。「Operation」メニューの矢印をクリックして「Match Move」を選択します。
- 6 「Text」ノードをクリックして「インスペクタ」でプロパティを表示します。テキストボックスに文字を入力し、合成に合うようにフォント、色、サイズを変更します。

これで、トラッカーで生成したトラッキング位置データが、テキストに適用されます。テキストのオフセット位置を変更したい場合、「インスペクタ」の「Tracker」タブをクリックし「X Offset」と「Y Offset」スクロールホイールを使用して調整します。



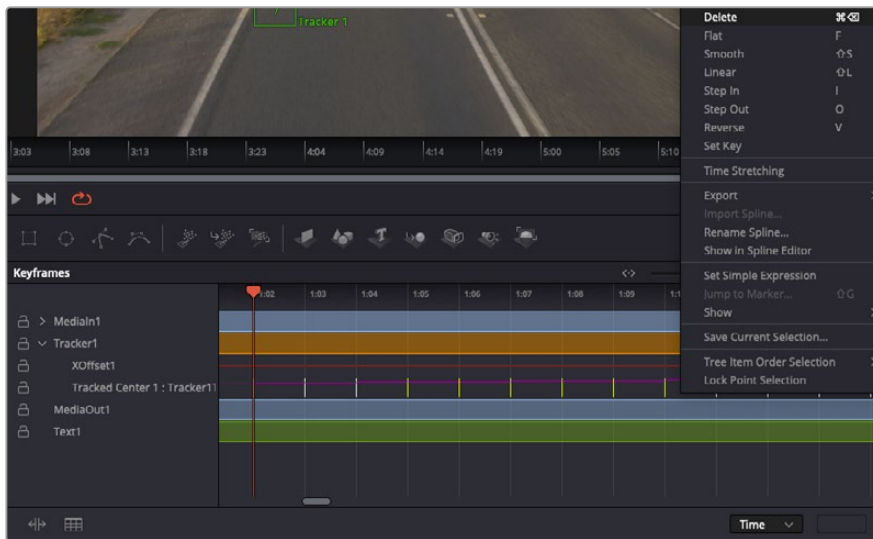
「インスペクタ」の「Tracker」パネルの下部にあるスクロールホイールで、テキストのオフセット位置を調整可能。

合成を再生すると、トラッキングした被写体にテキストが接続していることが確認できます。



緑のボックスは、トラッカーの現在の位置で、パスも緑で表示されています。
赤の点線は、テキストをアニメートするために使用されるオフセット位置です。

一部のショットでは、トラッキング後にトラックポイントを取り除きたい場合もあるでしょう。例えば、トラッキングしている被写体がスクリーン外に出てしまうケースなどです。キーフレームエディターを使用すれば、これが極めて簡単に行えます。



- 7 「インスペクタ」の上にある「キーフレーム」タブをクリックして、キーフレームエディターを開きます。キーフレームが適用されたノードには、ノードラベルの横に小さな矢印が表示されます。キーフレームが追加されているパラメーターのみが下のリストに表示されます。虫めがねアイコンをクリックして、編集したい領域の周囲にボックスを描きます。これにより、その領域がズームされ、キーフレームが見やすくなります。
- 8 最後のキーフレームを配置したい位置に再生ヘッドを移動します。取り除きたいキーフレームの周囲に、マウスを使用してボックスを描きます。キーフレームは黄色にハイライトされます。右クリックして、メニューから「Delete」を選択します。

作業のこつ エフェクトによるシステムへの負荷が特に高い場合、トランスポートコントロールの領域を右クリックするとビューアのオプション（プロキシ再生など）が表示されるので、合成の構築中にシステムを最大限に利用できる方法を選択できます。再生オプションの詳細に関しては、DaVinci Resolveマニュアルを参照してください。

テキストをアニメートして、フッターの動きにマッチさせる合成が完成しました！

トラッキングしたいイメージ領域に、強調させたり、置き換えたい平面がある場合は「Planar Tracker」を使用できます。2D平面のトラッキングは、移動するイメージのラベルや看板を変更するのに便利だけでなく、ショット内のモニターやテレビに画像を追加する目的でも使用できます。

「Planar Tracker」およびDaVinci ResolveのFusionページに搭載されている多数のパワフルなツールに関しては、DaVinci Resolveのマニュアルを参照してください。

作業のこつ FusionページでVFXを構築する上で、作成しているエフェクトが2Dであるか、3Dであるか理解することは重要です。エフェクトの種類により、使用するマージツールが異なるからです。1つの合成に2Dと3Dエフェクトを組み合わせることは多々あります。そういった場合、3D空間を使用しているVFXはすべて、2Dの合成にマージする前に、2Dのイメージとしてレンダリングする必要があります。

Fusionでの作業を楽しんでいただき、FusionのVFXをDaVinci Resolveの編集、カラー、Fairlightページと組み合わせて使用することで得られるメリットを理解していただければと思います。このようなツールが多数搭載されているDaVinci Resolveは、極めてパワフルであり、クリエイティビティを存分に発揮できるアプリケーションです。

編集のマスタリング

編集、カラーグレーディング、VFXの追加、オーディオミックスの作業が終わったので、次は他の人に送信するファイルの作成方法を説明します。ボタンを使用するか、メニューから「クイックエクスポート」を選択すると、タイムラインのコンテンツを様々なフォーマットのファイルで出力できます。あるいは、デリバーページの他の機能を使用して出力することも可能です。



「デリバー」ページで編集を書き出せます。様々なビデオフォーマットとコーデックが選択可能です。

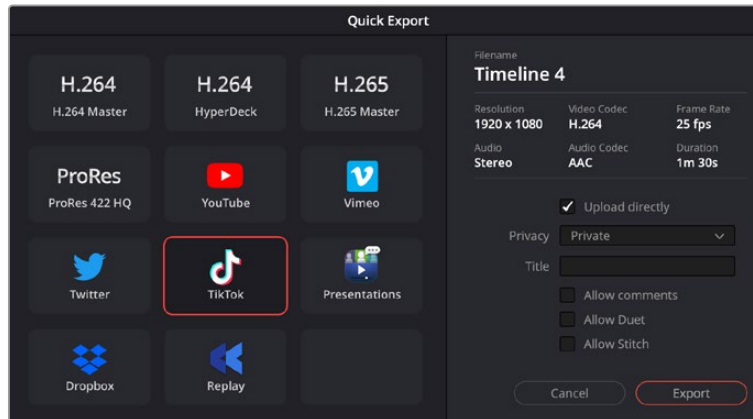
クイックエクスポート

「ファイル」>「クイックエクスポート」を選択すると、DaVinci Resolveのあらゆるページから、様々な書き出しプリセットを使用して、プログラムを書き出せます。また、「クイックエクスポート」では、YouTube、Vimeo、Twitter、Frame.ioなどのサポートされているビデオ共有サービスにプログラムをアップロードすることも可能です。

「クイックエクスポート」を使用する：

- 1 カット、エディット、Fusion、カラーページで、希望に応じてタイムラインでイン点とアウト点を設定して、書き出し範囲を選択します。イン点とアウト点を設定していない場合、タイムライン全体が書き出されます。
「ファイル」>「クイックエクスポート」を選択します。
- 2 「クイックエクスポート」ダイアログのアイコンから、使用したいプリセットを選択します。オンラインアカウントに同時にアップロードしたい場合は、「サインイン」をクリックし、次に「直接アップロード」チェックボックスを選択して、詳細を入力します。「書き出し」をクリックします。
- 3 「書き出し」ダイアログで保存先のディレクトリを選択し、ファイル名を入力し、「保存」をクリックします。進捗バーが表示され、書き出しに必要な時間が確認できます。

メモ TikTokなどのオンラインアカウントに直接アップロードする場合は、DaVinci Resolveの「インターネットアカウント」設定を使用してサインインすることも可能です。これらの設定は、DaVinci Resolveの「環境設定」の「システム」タブにあります。



プロジェクトを書き出す際に、「直接アップロード」を選択し、詳細を入力することでTikTokに直接アップロード

デリバーページ

デリバーページでは、書き出すクリップを選択し、フォーマット、コーデック、解像度を指定します。書き出しは、8/10-bit 非圧縮RGB/YUV、DNxHD、ProRes、H.264などのコーデックを使用して、QuickTime、AVI、MXF、DPXなど様々なフォーマットで実行できます。

編集を単一のクリップとして書き出す：

- 1 「デリバー」タブをクリックして、デリバーページを開きます。
- 2 ページ左上の「レンダー設定」ウィンドウに進みます。ここで、YouTube、Vimeo、オーディオプリセットなど、多くの書き出しプリセットから選択できます。または、デフォルトの「カスタム」プリセットに独自のパラメーターを入力して、独自の書き出し設定をマニュアルで設定することも可能です。例えば「YouTube」を選択し、次にプリセットの横にある矢印をクリックして1080pビデオフォーマットを選択します。
フレームレートは、プロジェクト設定のフレームレート設定にロックされます。
- 3 プリセットの下にタイムラインのファイル名と書き出したビデオのレンダリング先が表示されます。「ブラウザ」ボタンをクリックして、書き出したファイルの保存先を選択します。次にレンダー設定で「単一のクリップ」を選択します。
- 4 タイムラインの上に、「タイムライン全体」が選択されたオプションボックスが表示されます。これでタイムライン全体が書き出されますが、タイムラインの領域を選択することも可能です。「イン/アウトの範囲」を選択し、「I」および「O」のホットキーショートカットを使ってタイムラインでイン点/アウト点を選択します。
- 5 「レンダー設定」の下に行き、「レンダーキューに追加」をクリックします。

ページ右側のレンダーキューに、レンダー設定が追加されます。ここまでの作業が終わったら、後は「レンダー開始」をクリックして、レンダーキューでレンダリングの進行状況をモニタリングするだけです。

レンダリングが完了したら、書き出し先に指定したフォルダーを開き、レンダリングされた新しいクリップをダブルクリックして、完成した編集を確認できます。

以上で紹介した、編集、カラーコレクション、オーディオミキシング、VFXの追加の基礎情報を活かして、DaVinci Resolveで色々と試してみることをお勧めします。DaVinci Resolveに搭載された、プロジェクトを最高の状態に導くための多数の機能の詳細は、DaVinci Resolveを参照してください。

DaVinci Resolve Studioでは、以下のResolveFXリバイバルプラグインを用いることで、Cintel Scannerでスキャンしたフッターを修復できます。これらのパワフルなツールは、ノイズの低減、傷や汚れの修復など、フィルムクリップから視覚的な損傷を除去する上で役立ちます。

自動ダート除去

「自動ダート除去」プラグインは、オプティカルフロー技術を用いて、1~2フレームだけに現れて消える、動きのある埃、ダート（汚れ）、髪の毛、傷、その他のアーチファクトにターゲットを絞って修正します。すべての修正は、基になるフレームの詳細に一致させた高度な復元方法が適用されるため、高品質のイメージが得られます。このプラグインは高度な機能でありながら、比較的簡単に使用できます。ショットにプラグインを追加し、確認しながらパラメーターを調整するだけです。



(左) オリジナル、(右) 自動ダート除去を適用

メモ このプラグインは、複数のフレームにわたって同じ位置に表示される縦方向の傷には、あまり有効ではありません。また、ショット全体にわたって表示されるレンズの汚れに対しては全く効果がありません。

メインコントロール

これらのコントロールを使用して、イメージから除去するダートの量を調整します。

動き推定の種類

「なし」、「速度優先」、「標準」、「画質優先」から選択できます。この設定では、パフォーマンスと品質のバランスを選択できます。

前後のフレーム

ダートを検出した場合に比較するフレーム数を指定します。比較するフレーム数が多くなるほど処理に長い時間を要しますが、通常、より多くのダートやアーチファクトを検出します。

除去の強度

このスライダーで、検出されたダートやアーチファクトを修正する強度を指定します。強度を下げると、実際はダートである可能性のある小さな要素は修正されません。強度を上げると、検出された要素すべてが除去されます。

ダートのしきい値

このスライダーで、検出されたダートの大きさを指定します。このパラメーターの数値を上げるとフィルムグレインなどを処理から除外できますが、小さなダートが残る可能性があります。

除去マスクを表示

このチェックボックスをオンにすると、検出されたダートやアーチファクトが表示されるため、フィルターの微調整効果を確認できます。

微調整

これらのコントロールでは、元のイメージのディテールを維持しながら、ダートをうまく除去するための微調整が行えます。

動きのしきい値

このスライダーで、ダートやアーチファクトとして認識される、動きのあるピクセルのしきい値を設定します。低い値では、修正されるダートの量は減りますが、モーションアーチファクトの発生率は低くなります。高い値では、より多くのダートが除去されますが、カメラまたは被写体に動きがあるフッテージでモーションアーチファクトがより多く生じる可能性があります。

エッジを無視

このスライダーで、映像のハードエッジがダートやアーチファクトの除去による影響を受けないようにします。高い値では、影響を受けるエッジが少なくなります。

ホットピクセルの修正

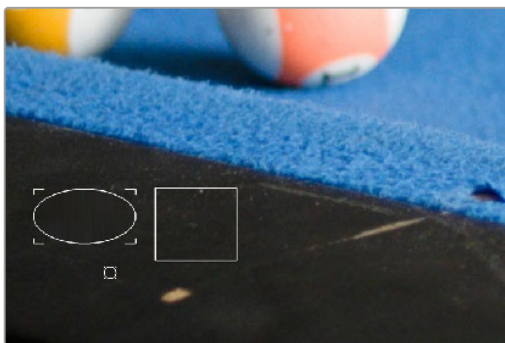
スキャナーからのクリップや読み込んだイメージに、特定の色や明るさの固定されたピクセルがある場合、DaVinci Resolveのフィルターでそれらにパッチを適用できます。このフィルターは、ホットピクセルそれぞれにパッチをあて、問題を識別できるため、それらの修正に異なる方法を使用できます。

このフィルターは多くの面で「ダストバスター」に似ていますが、「ダストバスター」は1~2フレームだけに現れる、動きのある埃やダートを修正するのに対し、このフィルターはクリップ全体を通して同じ箇所に現れる要素に対して機能します。

ホットピクセルを修正する：

- 1 「デッドピクセル修正」フィルターを適用して、ビューアでOFXオンスクリーンコントロールを有効にします。
- 2 フィルター設定で「パッチを配置」を選択し、修正する必要があるピクセルをクリックします。必要に応じて、イメージのあらゆる場所に必要な数だけパッチを配置できます。

パッチは、ドラッグすると移動できます。必要がなくなったパッチは、「Option + クリック」で削除できます。



複数のホットピクセル除去パッチ

複数のパッチを配置した場合、任意のパッチをクリックして選択し、コントロールを調整できます。パッチごとに異なる設定が可能です。

一般

これらのコントロールでは、フレームで修正が必要な箇所にパッチを描画する方法やオンスクリーンコントロールの表示方法などを選択できます。

パッチの種類

フレーム内で修正したい要素に応じて、3種類のパッチを使用できます。

四角形を描画

クリック&ドラッグで、あらゆるサイズの四角形パッチを描けます。描画したオーバーレイの端をクリックしてドラッグすると、配置する場所を調整できます。

楕円形を描画

クリック&ドラッグで、あらゆるサイズの楕円形パッチを描けます。描画したオーバーレイの端をクリックしてドラッグすると、配置する場所を調整できます。

パッチを配置

ホットピクセルなどの極めて小さなディテール用に小さなパッチを配置できます。このオプションを選択すると、「新規パッチのサイズ」スライダーが表示され、パッチを配置する前にサイズを調整できます。描画したパッチの端をクリックしてドラッグすると、配置する場所を調整できます。

新規パッチのサイズ

「パッチを配置」を選択した際にのみ使用でき、「パッチを配置」を使用して配置するパッチの大きさを調整できます。

パッチを表示

このチェックボックスでビューアですべてのパッチの外枠の表示/非表示を変更できます。

作業中は非表示

パッチを動かしている間は、ビューアですべてのパッチの外枠を非表示にします。これにより、外枠に邪魔されることなく、パッチがイメージに与える効果を確認しながら、パッチを移動させることが可能です。

パッチの種類

選択したパッチでコンテンツを修正する方法は3種類あります。新しいパッチを描画する際に、現在選択しているパッチの種類に応じて、次のパッチの種類が決定します。既存のパッチを選択した後、パッチの種類を変更するとパッチの機能する方法が変わります。

空間的

パッチの周囲から得たピクセルで、選択したパッチの内部を「塗りつぶしの方法」で選択した手法に基づき、自動的に埋めます。これは、修正したい要素が小さい場合に効果的ですが、大きなものには模様が生じる可能性があり、修正したことがはっきりと分かってしまう映像になる場合があります。

クローン

イメージ内でコピーした部分を使用して、シェイプやパッチを塗りつぶします。このモードでは、修正したい場所に四角形または楕円形のパッチをクリック&ドラッグで配置し、サンプリングするために、クローンしたい領域をクリックします。クリックしてパッチを配置し、サンプリングする領域を再度クリックします。既存のシェイプやパッチを選択し、「クローン」を選択して、シェイプをクリックするとクローンした領域を配置できます。サンプリングした領域は点線のシェイプで表示され、元のシェイプとつながっています。

クローンをブレンド

「クローン」と類似していますが、四角形、楕円形、パッチを埋めるためにコピーされたイメージの一部は、よりソフトに一体化するようにイメージとブレンドされます。

塗りつぶしの方法

「空間的」を使用する際に、イメージ内の修正したい要素を塗りつぶす方法を選択します。

グリッド

四角形、楕円形、パッチの周囲のピクセルをサンプリングし、縦と横の両方向に内側に向かって、ブラーを適用します。修正が必要な箇所が極めて小さい場合に非常に効果的です。大きな箇所では、格子状の模様が生じる可能性があります。

横

四角形、楕円形、パッチの左右のピクセルをサンプリングし、内側に向かってブラーを適用します。

縦

四角形、楕円形、パッチの上下のピクセルをサンプリングし、内側に向かってブラーを適用します。

パッチ

四角形、楕円形、パッチの辺り一帯のピクセルをサンプリングし、それらを拡張しつつブラーを適用し、ソフトで不均一な領域を作成して、修正を行います。「グリッド」のような模様が生じることなく、極めてスムーズなイメージを作成できます。

スムーズ

ガウスブラーを修正に使用します。

パッチオプション

これらのオプションでは、パッチを塗りつぶす効果をカスタマイズできます。

ミュート

キーフレーミングを介して、特定のパッチをオン/オフできます。ショット内のいくつかのピクセルのみを修正する場合に効果的です。

変動性

このパラメーターは「空間的」パッチのみに使用でき、数値を上げると、より不均一な方法で塗りつぶします。

ソフトエッジ

パッチのエッジをソフトにします。

サイズ調整

パッチを作成した後にサイズを変更できます。

アドバンスコントロール

このエフェクトのUIをカスタマイズできます。

クローンがマウスを追跡

有効にすると、「クローン」または「クローンをブレンド」モードで、四角形、楕円形、パッチを描画または配置すると、サンプリングした領域の配置に瞬時に切り替わるため、作業が高速化します。

新規パッチの自動選択

有効にすると、パッチを描画した後も選択されている状態となり、その後のカスタマイズが簡単に行えます。

ユーザーインターフェースのラインの幅

スクリーンに表示される外枠の幅を選択できます。

パッチの追跡対象

このパラメーターは、スタビライズしたクリップのホットピクセルなどの修正に使用します。

ソース

配置されたパッチは、ショットにスタビライズが適用されない限り、同じ場所に留まります。スタビライズが適用された場合は、パッチはイメージと共に変換されるため、ソースクリップの修正している要素に付いた状態になります。

シーン

移動するオブジェクトを修正している場合、「FXトラッカー」を使用して、修正している要素をトラッキングすることで、パッチが追跡します。

出力モード

パッチの効果を異なる方法で確認できます。以下の4つのオプションがあります。

パッチの結果

各パッチで修正を適用した最終結果を表示します。

パッチの位置

背景となる映像の代わりに黒のバックグラウンドで、白いパッチが配置された場所にキーを表示します。

差

各パッチとオリジナルのイメージの違いを表示します。

差を強調

違いを強調して表示します。

フリッカー除去

「フリッカー除去」プラグインでは、以下のような様々な問題に対処できます。タイムラプスクリップの露出のフリッカー、蛍光灯のフリッカー、アーカイブフィルムソースのフリッカーに加え、異なるシャッタースピードのカメラで撮影されたビデオのうねるようなグリッチも場合によっては改善できます。このフィルターの2つの主要な特徴は、急速で一時的な安定しない明るさのみをターゲットとしており、またフリッカーが生じている領域のみに処理範囲を絞ることができるため、イメージの他の領域には影響を与えないことです。その結果、かつては修正不可能とされていたような問題でも、このプラグインで修正できる可能性が高くなりました。



(左) オリジナルの映像、(右) 「フリッカー除去」を「蛍光灯」に設定した結果

メインパラメーター

デフォルトでは、このプラグインの上部には一つのコントロールのみ表示されます。多くの場合、これだけで十分です。

フリッカー除去の設定

上部に表示される「タイムラプス」および「蛍光灯」は、フリッカーの2つの異なるカテゴリーのアーチファクトを効果的に除去できるプリセットです。これらのプリセットが効果的に機能しない場合、「アドバンスコントロール」の「時間的ノイズ除去」を使用すると、必要に応じた微調整が可能です。

時間的ノイズ除去

デフォルトでは非表示で、「フリッカー除去の設定」を「アドバンスコントロール」に設定した場合のみに表示されます。シーン内の動きを検出する方法を選択できるため、フレーム内の被写体の動きを考慮して、フリッカーを適切に除去できます。

前後のフレーム数

何が動いているかを判断するために分析を行うフレームの数を指定します。分析するフレームの数が多いほど良い結果が得られるわけではなく、この設定もシーンにより適した値は異なります。デフォルト値は3です。

動き推定

DaVinci Resolveがイメージを分析して、動きを検出する方法を選択します。オプション名は説明的ですが、どの機能が最も適しているかはシーンごとに大いに異なります。「速度優先」は、プロセッサへの負荷が低い代わりに正確性に欠けます。しかし、ディテールの多いイメージでは逆に効果的に機能し、「画質優先」より良い結果が得られることがあります。「画質優先」は、正確性が高い代わりにプロセッサへの負荷が高いのが特徴です。この設定では、細かなディテールをマッチさせるようにするため、それがマイナスに働くことがあります。「なし」は、動きの分析を全く行いません。シーンに動きが全くない場合に上手く機能し、処理時間も短く済みます。デフォルトは「画質優先」です。

動きの範囲

「小」「中」「大」の3つの設定があり、検出に使用する、フレーム内の動きの速度を選択できます。

輝度のしきい値

このしきい値を超える輝度の変化は、フリッカーとは見なされません。範囲は0~100です。0はフリッカー除去を全く行わず、100はすべてに適用します。デフォルト値は100です。

クロマのしきい値

このしきい値を超えるクロマの変化は、フリッカーとは見なされません。範囲は0~100です。0はフリッカー除去を全く行わず、100はすべてに適用します。デフォルト値は100です。

輝度とクロマを連動

輝度とクロマのしきい値スライダーを連動させるか選択できます。

動きのしきい値

このしきい値を超える動きは、フリッカーとは見なされません。

速度最適化オプション

デフォルトでは非表示です。開くと、以下のコントロールが表示されます：

低ディテール

デフォルトではオンになっており、フリッカーを検出するための分析に使用されるディテールの量を減らします。多くの場合、この設定では視覚的な変化は生じませんが、処理速度が上がります。微細なディテールが除去され過ぎている場合に、この設定を無効にします。

分析領域の制限

この設定をオンにすると、フリッカー除去を適用する範囲をイメージの特定の領域に制限するボックスのコントロールが表示されます。この設定は、イメージの1ヶ所にフリッカーが生じており、該当の部分だけに集中的に処理を適用することで作業時間が減る場合に適しています。また、フリッカー除去を適用したことにより、イメージの一部が平坦になり過ぎている場合に、残りの部分にフリッカー除去を適用するのにも向いています。

フリッカー除去後に元のディテールを復元

デフォルトでは非表示です。開くと、以下のコントロールが表示されます：

復元するディテール

フリッカー除去による影響を受けるべきではない、グレイン、微細なディテール、シャープなエッジを分離できるため、それらをそのまま維持できます。

復元したディテールを表示

オンにすると「復元するディテール」で検出・使用されたエッジを確認できるため、操作を微調整できます。

出力

「フリッカー除去」で出力するオプションを選択できます。これは、問題が生じているクリップのトラブルシューティングを行う上で役立ちます。選択できるオプション：

除去結果

修正が適用された最終的な結果です。これは、デフォルト設定です。

検出フリッカー

フリッカーが生じていると検出されたイメージの箇所をハイライトするマスクを表示します。これにより、適切な部分に処理が適用されているか確認できます。しかし、このマスクは非常に微細なことがあります。

拡大フリッカー

「復元するディテール」のマスクを誇張した形で表示します。「フリッカー除去」の効果を確認しやすくなります。

ダストバスター

このプラグインも、埃、ダート（汚れ）、その他の欠陥やアーチファクトをクリップから除去するように作られています。「自動ダート除去」で満足のいく結果が得られなかったクリップに対して、ユーザーがマニュアルで作業することで機能します。この作業には、クリップをフレームごとに確認し、除去したい欠陥の周囲にボックスを描くことが含まれます。ボックスを描くと、その中の欠陥部分が自動的にシームレスに除去されます。これはダートや埃で最も効果がありますが、以下のような極めて大きな染みや斑点などにも有効です。



(左) ダートの周囲にボックスが描かれたオリジナル、(右) ダストバスタープラグイン適用後

埃やダートの除去はホットピクセルの修正に似ていますが、「ダストバスター」は1~2フレームだけに現れる、動きのある埃やダートを修正するのにに対し、ホットピクセルの修正はクリップ全体を通して同じ箇所に現れる要素に対して実行されます。

一般

これらのコントロールでは、フレーム内に一時的に表示される埃やダートを修正するために、それらの上にパッチを描く方法や、オンスクリーンコントロールの表示方法などを選択できます。

ナビゲーションコントロール

ボタンを使用して、パッチを描画したフレームにジャンプできます。以下の4つのボタンを使用できます：

最初に修正したフレーム

パッチのあるクリップの最初のフレームに再生ヘッドをジャンプします。

前に修正したフレーム

パッチのあるクリップの前のフレームに再生ヘッドをジャンプします。

次に修正したフレーム

パッチのある次のフレームに再生ヘッドをジャンプします。

最後に修正したフレーム

パッチのある最後のフレームに再生ヘッドをジャンプします。

パッチの種類

フレーム内で修正したい要素に応じて、3種類のパッチを使用できます。

四角形を描画

クリック&ドラッグで、あらゆるサイズの四角形パッチを描けます。描画したオーバーレイの端をクリックしてドラッグすると、配置する場所を調整できます。

楕円形を描画

クリック&ドラッグで、あらゆるサイズの楕円形パッチを描けます。描画したオーバーレイの端をクリックしてドラッグすると、配置する場所を調整できます。

パッチを配置

ホットピクセルなどの極めて小さなディテール用に小さなパッチを配置できます。このオプションを選択すると、「新規パッチのサイズ」スライダーが表示され、パッチを配置する前にサイズを調整できます。描画したパッチの端をクリックしてドラッグすると、配置する場所を調整できます。

新規パッチのサイズ

「パッチを配置」を選択した際にのみ使用でき、「パッチを配置」を使用して配置するパッチの大きさを調整できます。

パッチを表示

このチェックボックスでビューアですべてのパッチの外枠の表示/非表示を変更できます。

作業中は非表示

パッチを動かしている間は、ビューアですべてのパッチの外枠を非表示にします。これにより、外枠に邪魔されることなく、パッチがイメージに与える効果を確認しながら、パッチを移動させることが可能です。

パッチの種類

選択したパッチでコンテンツを修正する方法は6種類あります。新しいパッチを描画する際に、現在選択しているパッチの種類に応じて、次のパッチの種類が決定します。既存のパッチを選択した後、パッチの種類を変更するとパッチの機能する方法が変わります。

自動

デフォルトの方法です。ボックスを描画したら、現在のクリップの2フレーム前と後が分析され、現在のイメージとの比較に使用されます。これら5フレームのうち最適なイメージが、現在のフレームの欠陥を除去するためにサンプリングされます。固定グレインを避けるために、現在のフレームから2フレーム前と後のイメージが優先されますが、これらのフレームのコンテンツが適している場合にのみ実行されます。

+/-1フレーム

このモードでは、ボックスを左から右に描くと、次のフレームが欠陥を除去するために使用されます。ボックスを右から左に描くと、前のフレームが使用されます。

+/-2フレーム

ボックスを左から右に描くと、2フレーム後のイメージが欠陥を除去するために使用されます。ボックスを右から左に描くと、2フレーム前のイメージが使用されます。

空間的

パッチの周囲から得たピクセルで、選択したパッチの内部を「塗りつぶしの方法」で選択した手法に基づき、自動的に埋めます。これは、修正したい要素が小さい場合に効果的ですが、大きなものには模様が生じる可能性があり、修正したことがはっきりと分かる映像になる場合があります。

クローン

イメージ内でコピーした部分を使用して、シェイプやパッチを塗りつぶします。このモードでは、修正したい場所に四角形または楕円形のパッチをクリック&ドラッグで配置し、サンプリングするために、クローンしたい領域をクリックします。クリックしてパッチを配置し、サンプリングする領域を再度クリックします。既存のシェイプやパッチを選択し、「クローン」を選択して、シェイプをクリックするとクローン領域を配置できます。サンプリングした領域は点線のシェイプで表示され、元のシェイプとつながっています。

クローンをブレンド

「クローン」と類似していますが、四角形、楕円形、パッチを埋めるためにコピーされたイメージの一部は、よりソフトに一体化するようにイメージとブレンドされます。

塗りつぶしの方法

「空間的」を使用する際に、イメージ内の修正したい要素を塗りつぶす方法を選択します。

グリッド

四角形、楕円形、パッチの周囲のピクセルをサンプリングし、縦と横の両方向に内側に向かって、ブラーを適用します。修正が必要な箇所が極めて小さい場合に非常に効果的です。大きな箇所では、格子状の模様が生じる可能性があります。

横

四角形、楕円形、パッチの左右のピクセルをサンプリングし、内側に向かってブラーを適用します。

縦

四角形、楕円形、パッチの上下のピクセルをサンプリングし、内側に向かってブラーを適用します。

パッチ

四角形、楕円形、パッチの辺り一帯のピクセルをサンプリングし、それらを拡張しつつブラーを適用し、ソフトで不均一な領域を作成して、修正を行います。「グリッド」のような模様が生じることなく、極めてスムーズなイメージを作成できます。

スムーズ

ガウスブラーを修正に使用します。

パッチオプション

これらのオプションでは、パッチを塗りつぶす効果をカスタマイズできます。

ミュート

キーフレーミングを介して、特定のパッチをオン/オフできます。ショット内のいくつかのピクセルのみを修正する場合に効果的です。

変動性

(「空間的」パッチのみ) このパラメーターを上げることで、より不均一な方法で塗りつぶします。

ソフトエッジ

パッチのエッジをソフトにします。

サイズ調整

パッチのサイズを変更できます。

アドバンスコントロール

このエフェクトのUIをカスタマイズできます。

クローンがマウスを追跡

有効の場合、「クローン」または「クローンをブレンド」モードで、四角形、楕円形、パッチを描画または配置すると、サンプリングした領域の配置に瞬時に切り替わるため、作業が高速化します。

新規パッチの自動選択

有効にすると、パッチを描画した後も選択されている状態となり、その後のカスタマイズが簡単に行えます。

UIラインの幅

スクリーンに表示される外枠の幅を選択できます。

出力モード

パッチの効果を異なる方法で確認できます。以下の4つのオプションがあります。

パッチの結果

各パッチで修正を適用した最終結果を表示します。

パッチの位置

黒に対して、白いパッチが配置された場所にキーを表示します。

差

各パッチとオリジナルのイメージの違いを表示します。

差を強調

違いを強調して表示します。

ノイズ除去

カラーページのノイズ除去コントロールに基づき、ResolveFXには2種類のGPUアクセラレート・ノイズ除去が搭載されており、問題が生じているクリップのノイズを軽減します。これら2種類のノイズ除去は、単一での使用および併用が可能で、作業を行う素材に応じて様々なレベルで適用できます。

時間的ノイズ除去コントロール

「時間的ノイズ除去」コントロールは、イメージを複数フレームにわたって分析し、ディテールからノイズのみを分離します。「動き推定」の設定では、動く被写体をノイズ除去の対象から除外することで、モーションアーチファクトの発生を防げます。

前後のフレーム数

ノイズからディテールを分離するために平均の算出に使用する、現在のフレームの前後にあるフレーム数を指定します。0から5フレームの間で選択できます。0を選択するとフレームの平均化は実行されません。高い値を選択するとより多くのフレームを使用して平均が算出されますが、その分コンピューターへの負荷がはるかに高くなります。また、高い値を選択すると分析の質も向上しますが、分析するフレームに動きの速いイメージが含まれている場合はアーチファクトが生じる原因となる可能性があります。動きの速いイメージでは、値を1に設定すると良い結果が得られることがあります。高い値を使用する必要があり、その結果アーチファクトが生じている場合は、「動きのしきい値」を調整して問題を解決することも可能です。

動き推定の種類

DaVinci Resolveがイメージ内の動きを検出する方法を選択します。「速度優先」は、プロセッサーへの負荷が低い一方、精度が劣ります。「画質優先」を選択すると、動きをノイズ除去の対象からより正確かつ効果的に除外できますが、プロセッサー負荷が高くなります。「なし」を選択すると、動き推定が無効になり、時間的ノイズ除去がイメージ全体に適用されます。

動きの範囲

「動き推定」で除外されるモーションスピードを「小」、「中」、「大」の3つから設定します。「小」は、モーションブラーが少ない（あるいは全くない）ゆっくりと動く被写体を想定しており、同じ「動きのしきい値」の設定値で、イメージのより多くの部分に時間的ノイズ除去が適用されます。「大」は、ブラーがイメージの大部分を占める速い動きを想定しており、同じ「動きのしきい値」の設定値で、イメージのより多くの部分が時間的ノイズ除去の適用外となります。「動きのしきい値」パラメーターを調整する際は、モーションアーチファクトとノイズ除去のバランスが最も良い設定を選択します。

時間的しきい値コントロール

「時間的しきい値」パラメーターでは、イメージの特徴ごとにノイズ除去の量を調整できます。

輝度のしきい値

イメージの輝度成分に適用する時間的ノイズ除去の量を設定します。選択範囲は0~100です。0でノイズ除去なし、100で最大になります。設定値が高過ぎるとイメージのディテールが損なわれる場合があります。

クロマのしきい値

イメージのクロマ成分に適用する時間的ノイズ除去の量を設定します。選択範囲は0~100です。0でノイズ除去なし、100で最大になります。設定値が高過ぎるとイメージのカラーディテールが損なわれる場合があります。しかし、クロマのしきい値を輝度のしきい値よりも高くすることで、アーチファクトが目立たなくなる場合があります。

輝度とクロマを連動

通常、輝度とクロマのしきい値のパラメーターは連動しているため、片方を調整すると両方が変更されます。しかし、これらのパラメーターの連動を解除することで、イメージの各成分に異なる量のノイズ除去を適用し、ノイズの最も多い部分に対応できます。

動き

動きのあるピクセルと動きのないピクセルを区別する上でのしきい値を設定します。しきい値より上が動きのあるピクセル、しきい値より下が動きのないピクセルとして判断されます。「動き推定」を使用すると、しきい値より上のイメージ領域には時間的ノイズ除去が適用されません。動いているイメージ領域にフレーム平均を適用しないことで、モーションアーチファクトが避けられます。値を低くすると、わずかな動きも対象となるため、イメージの多くの領域が時間的ノイズ除去の適用から除外されます。値を高くすると、速い動きのみが対象となるため、イメージの多くの領域に時間的ノイズ除去が適用されます。値は0~100で設定できます。0で時間的ノイズ除去なし、100で時間的ノイズ除去がすべてのピクセルに適用されます。デフォルト値の50は、多くのクリップに適した値です。動きのしきい値が高過ぎると、イメージ内の動きのある部分にアーチファクトが生じる場合があるので注意してください。

ブレンド

「時間的ノイズ除去」パラメーターが適用されているイメージ (0.0) と、ノイズ除去が適用されていないイメージ (100.0) をブレンドします。このパラメーターを使用すると、時間的ノイズ除去を強めに使用する際に簡単にバランスが取れます。

空間的ノイズ除去コントロール

「空間的ノイズ除去」コントロールでは、イメージがソフトにならないようにディテールを維持しながら、イメージ全体の高周波ノイズ領域を除去できます。「時間的ノイズ除去」では解決できないノイズを効果的に除去できます。

モード

「モード」メニューでは、空間的ノイズ除去のアルゴリズムを3種類から選択できます。全てのモードに含まれるコントロールは同じなので、同じ設定のままモードを切り替えて結果を比較できます。

速度優先

コンピューター負荷の低い処理方法が使用されます。低い設定で優れた結果を生みますが、高い値で適用するとアーチファクトが生じる場合があります。

画質優先

空間的ノイズ除去コントロールを切り替えて、より高品質のアルゴリズムを使用し、「速度優先」よりも、はるかに良質の結果を生み出します。ただし、レンダリングのためのプロセッサ負荷が増加し、また各カラー成分を個々に調整するために「輝度のしきい値」と「クロマのしきい値」のスライダーを個別に使用できなくなります。

最高品質

「空間的しきい値」スライダーを上げてノイズ除去を行う場合に、イメージの鮮明度とディテールの維持を大幅に改善します。これは、「空間的しきい値」スライダーの値を上げると特に顕著になります。

“高い”の定義は、作業しているイメージにより変わります。低い値では、「最適」設定よりもプロセッサ負荷が軽い「画質優先」モードと比較して、改善度合いは低いことがあります。さらに、「最適」では輝度とクロマのしきい値スライダーを別々に動かせるので、必要に応じて、各カラー成分に異なる量のノイズ除去を適用できます。

範囲

「大」、「中」、「小」から選択できます。範囲が小さいほどリアルタイムパフォーマンスが高くなり、「輝度のしきい値」と「クロマのしきい値」を低く設定すると画質が向上します。一方で、ノイズ除去のしきい値を低くすると、ディテールでエイリアスが生じる場合があります。

「範囲」を徐々に大きくし、「輝度のしきい値」と「クロマのしきい値」を高くすると、パフォーマンスは遅くなりますが、ディテールが多い領域で画質が向上します。ノイズ除去の「範囲」を「中」にし、ノイズ除去のしきい値も「中」に設定すると、多くのイメージで適切な画質が得られます。他の多くの作業と同様、画質とスピードのバランスを取りながら調整します。

空間的しきい値コントロール

「空間的しきい値」パラメーターでは、イメージの特徴ごとにノイズ除去の量を調整できます。

輝度

イメージの輝度成分に適用するノイズ除去の量を設定します。選択範囲は0～100です。0でノイズ除去なし、100で最大になります。設定値が高過ぎるとイメージのディテールが損なわれる場合があります。

クロマ

エッジのディテールが持つシャープネスを維持しながら、高周波ノイズ領域を除去する際に、イメージのクロマ成分に適用するノイズ除去の量を設定します。選択範囲は0～100です。0でノイズ除去なし、100で最大になります。設定値が高過ぎるとイメージのカラーディテールが損なわれる場合があります。しかし、「クロマのしきい値」を「輝度のしきい値」よりも高くすることで、アーチファクトが目立たなくなる場合があります。

輝度とクロマを連動

通常、輝度とクロマのしきい値のパラメーターは連動しているため、片方を調整すると両方が変更されます。しかし、これらのパラメーターの連動を解除することで、イメージの各成分に異なる量のノイズ除去を適用できます。例えば、一定レベルのノイズ除去でイメージがソフトになり過ぎてしまい、さらに輝度ノイズよりもカラー斑点が多い場合は、「輝度のしきい値」を下げたディテールを維持し、「クロマのしきい値」を上げてカラーノイズを除去できます。

ブレンド

「空間的ノイズ除去」パラメーターが適用されているイメージ (0.0) と、ノイズ除去が適用されていないイメージ (100.0) をブレンドします。このパラメーターを使用すると、空間的ノイズ除去を強めに使用する際に簡単にバランスが取れます。

全体のブレンド

ブレンド

ノイズ除去が適用されていないイメージ (1.0) と現在の設定で「空間的ノイズ除去」と「時間的ノイズ除去」の両方が適用されているイメージ (0.0) をブレンドします。

ノイズ除去の使用

以下の手順は、ノイズ除去を使用してイメージをコントロールする方法の例です。

イメージにノイズ除去を適用する：

- 1 「フレーム数」メニューで1~5フレームを選択し、時間的ノイズ除去を有効にします。フレーム数を増やすとノイズ除去エフェクトのレンダリング時間が大幅に長くなりますが、素材によっては大きな画質向上が見られない場合もあります。
- 2 「動き推定の種類」および「動きの範囲」メニューで、イメージ内の動きの量に応じたオプションを選択します。イメージ内に多くの動きがある場合は「画質優先」と「大」を選択すると良い結果が得られます。イメージ内に動きが少ない場合は他のオプションを選択してください。
- 3 輝度とクロマのしきい値をリンクさせた状態で、動きのない領域でノイズが減り始めるまで徐々に一方のパラメーターを上げます。その後、少しずつ値を上げ、アーチファクトが生じたり、ディテールがソフトになり過ぎない範囲で最大の値を適用します。
- 4 イメージのクロマノイズが輝度ノイズよりも明らかに多い場合は、輝度ノイズの除去に適したレベルで輝度とクロマのリンクを解除し、「クロマのしきい値」を上げることで、イメージ内のカラー斑点に対処できます。
- 5 モーションアーチファクトが生じない範囲で、ノイズ除去で最大のしきい値を用いた結果に満足できない場合は、「動きのしきい値」を調整します。この値を下げることでノイズ除去の対象となる動きが減り、上げることで対象となる動きが増えます。それでも良い結果が得られない場合は、「動き推定の種類」および「動きの範囲」の設定を変更します。

時間的ノイズ除去の利点は、イメージ内の動きのない部分のノイズの低減にあります。イメージ内の動いている部分のモーションアーチファクトの防ぎつつ、動きのない部分のノイズ除去を行った結果に満足したら、空間的ノイズ除去を使用して、イメージの残りの部分のノイズをさらに除去します。

- 6 「輝度のしきい値」または「クロマのしきい値」パラメーターを上げ、空間的ノイズ除去を有効にします。デフォルトでリンクしている、この2つのパラメーターを使用して、イメージがソフトになり過ぎないように注意しながら、最適なバランスになるようノイズ除去を調整します。
- 7 空間的ノイズ除去のオプションには「最高品質」を選択することをお勧めします。これにより最良の結果が得られます。しかし、このオプションはプロセッサ負荷が高いため、リアルタイムパフォーマンスを向上させたい場合は「速度優先」を選択してイメージを比較してください。
- 8 イメージのクロマノイズが輝度ノイズよりも明らかに多い場合は、輝度ノイズの除去に適したレベルで輝度/クロマのリンクを解除し、「クロマのしきい値」を上げて空間的ノイズ除去を強めに適用することでイメージ内のカラー斑点に対処できます。
- 9 ノイズを視覚的に低減するために空間的ノイズ除去の輝度またはクロマのしきい値を高く設定する必要があり、その結果ディテールの部分にエイリアスやぼやけが生じている場合は、「範囲」メニューで大きめの設定を選択するとシーンをより詳細に分析できます。
その結果、画質が向上しますが、ノイズ除去の範囲設定を高くするとプロセッサ負荷も高くなるため、システム上に十分なGPUリソースがないとリアルタイムパフォーマンスが低下する場合があります。
- 10 ノイズ除去を適切に設定にしたにも関わらず、エフェクトが強すぎてイメージが不自然になる場合は、空間的と時間的ノイズ除去の一方または両方の「ノイズ除去ブレンド」パラメーターを上げることで、それぞれのコントロールで適用したノイズ除去と、ノイズ除去を適用前のイメージとのバランスを調整できます。

「時間的ノイズ除去」を先に適用してから「空間的ノイズ除去」を適用する

「時間的ノイズ除去」は複数のフレームを分析してノイズを分離するため、動きの少ない領域でディテールを正確に維持できます。はじめに「時間的ノイズ除去」を適用して良い結果が得られれば、それがイメージ内の一部のみであったとしても、「空間的ノイズ除去」を適用する量が減るため、最終的なイメージの全体の画質が向上します。

「時間的ノイズ除去」はイメージ内の動きのない部分で優れた効果を発揮しますが、動く被写体に対しては効果が低くなります。一方「空間的ノイズ除去」は、イメージに動きがある場合でも、フレーム内で正しい値を下回るノイズすべてを低減します。2種類のノイズ除去を組み合わせることで、多くの場合で最善のノイズ除去が可能になります。

「空間的ノイズ除去」の最適な範囲は？

ノイズ除去の範囲を大きくすると、「空間的ノイズ除去」を強めに使用した際にショット内のディテールの多い部分の画質が飛躍的に向上します。しかし、精度が最も高い「大」を常に選択する必要はありません。ノイズ除去を適用したイメージを確認する際、画質が向上したことが分からない可能性があり、不要なレベルの修正を行うことで無駄な処理時間を要することになります。

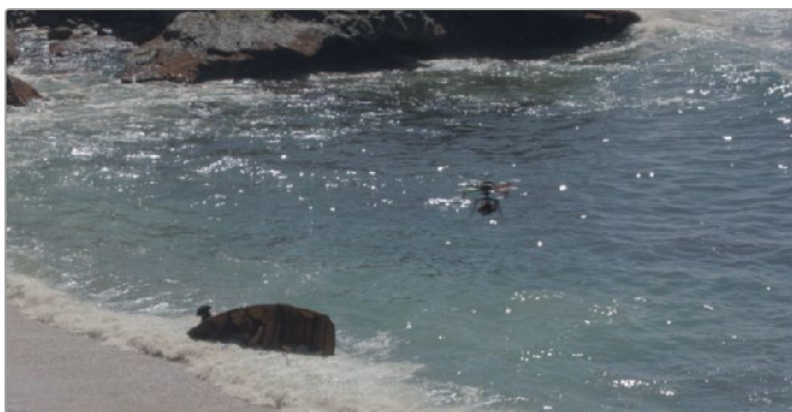
ノイズを確認する際は、十分に大きいディスプレイにイメージをフルフレームで表示し、オーディエンスと同じ環境で作業することをお勧めします。ノイズ除去を適用する際にクリップをズームアップしすぎると、必要以上の高画質設定を使用したくなる場合があります。これは、イメージのディテールを過度に拡大すると、実際のサイズでは気付かないような微妙な変化が見えるためです。

オブジェクト除去

「オブジェクト除去」はカラーページでの使用が最も効果的なプラグインであり、DaVinci Neural Engineでフレーム内のオブジェクト除去を可能な限り自動化します。このプラグインは、一時的に固定されているバックグラウンドを通過する動くオブジェクト、または動いているカメラで撮影されたショットのレンズのダート除去に最も適しています。小さいオブジェクトの方が大きいオブジェクトより良い結果が得られますが、結果はフッテージにより大きく異なります。以下に、手順を簡単に紹介します。

動くオブジェクトをクリップから除去する：

- 1 この例では、同時に収録された長尺ショットで、1台のドローンが飛行しています。「オブジェクト除去」プラグインで、除去対象を識別するウィンドウを用いてドローンを除去します。



除去する必要があるドローンが映った元のショット

シンプルなケースの場合、コレクターノードに「オブジェクト除去」エフェクトを適用するのが最も簡単です。ウィンドウまたはノード内でクオリファイアを使用して、除去対象を分離します。以下はこの方法を用いた例です。

- 2 「ウィンドウ」パレットを使用して、除去するオブジェクトの周りにウィンドウを描きます。除去対象をウィンドウやマスクで隙間なく囲むと最も良い結果が得られます。
- 3 ウィンドウを除去対象にトラッキングまたはキーフレーミングします。ここでも、除去するオブジェクトにウィンドウが密接しているほど良い結果が得られます。ウィンドウのエッジがある程度ソフトなほうが効果的です。



除去するオブジェクトをウィンドウで分離

- 4 除去対象を分離したノードに、「オブジェクト除去」プラグインをドラッグ&ドロップします。

- 5 「OFXアルファを使用」がノードのコンテキストメニューで自動的に有効になり、「オブジェクト除去」プラグインが該当のノードで作成されたキーを使用するようになります。
- 6 「シーン分析」ボタンをクリックし、分析が完了するまで待ちます。除去するオブジェクトは動いているが、カメラは固定されている場合、「動きなしと想定」チェックボックスをオンにして結果を改善します。フッテージがオブジェクトの除去に適している場合、分析が完了するとオブジェクトは消滅し、付近のフレームのディテールから得たシームレスなバックグラウンドに置き換わります。

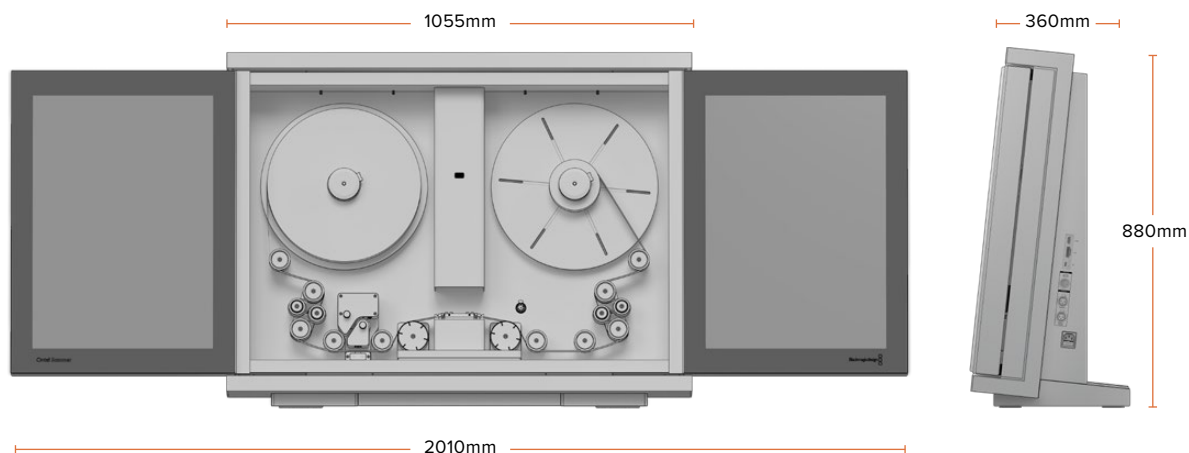


オブジェクト除去分析後の結果

「オブジェクト除去」プラグインはフッテージにより結果が大きく変わるため、常にこのような良い結果が簡単に得られるわけではありません。分析後の問題点は、ウィンドウでグレーで表示されます。これは、縁取りまたは塗りつぶされた形で表示されます。グレー部分は、現在の設定では除去したパッチを塗りつぶすバックグラウンドが見つからないことを示します。この場合、2つの方法を試すことができます。

- ・ 分析結果を再生中に、オブジェクト除去マスクにグレーの縁が付いたフレームがある場合、「検索範囲」スライダーで調整を試みる事が可能です。検索範囲は、「オブジェクト除去」プラグインが置き換えるイメージのディテールを検索している現在のフレームからの距離（フレーム数）を意味します。例えば、「検索範囲」が20の場合、現在の位置から±20フレーム、合計40フレームを検索します。フレーム数を10とすると、4フレームおきに検索します。一般に、許容できる結果が得られる最小範囲で、最も良い結果が得られます。
- ・ オブジェクト除去マスク全体がグレーになっているフレームでは、バックグラウンドは簡単には生成できません。こういった場合、「クリーンプレートを構築」ボタンをクリックすると、最良な推測を用いて、フレームを塗りつぶすバックグラウンドを生成し、対象のフレームを塗りつぶします。
- ・ パッチの塗りつぶしに成功したにもかかわらず、バックグラウンドとうまくブレンドしない場合、「ブレンド」モードを変更します。デフォルトは単純なクローン処理の「リニア」ですが、「適応ブレンド」も選択できます。これは、置き換えパッチのエッジがバックグラウンドとは異なる色や明るさの場合を除き、良い結果が得られます。
- ・ 「シーンモード」メニューではシーンの分析方法を選択でき、置き換えが必要な領域がいかにかの分析を改善し、オブジェクトが除去された後にできた穴を埋める最良の方法を決定します。「背景」はオブジェクトの領域を除いたイメージ全体を分析します。「境界線」はオブジェクトを囲む境界エリアを分析します。「被写体」はバックグラウンドと共に移動するオブジェクトを分析します。これには、動くカメラで撮影したウィンドウに映ったステッカーのショットなどが含まれます。

仕様



重量: 60kg/132ポンド (ロードされていない状態)、ウォールマウント時のサイズ: 高さ785mm、奥行き265mm

スキャナーの機能

フィルムストック

- プリント、ネガティブ、インターポジ、インターネガ
- モノ、カラー

フィルムゲージ

- 35mm:
 - 2、3、4パーフォレーション
- スーパー35mm:
 - 2、3、4パーフォレーション
- 16mm
- スーパー16mm
- 8mm
- スーパー8m

ネイティブ解像度

4096x3072

有効解像度¹

- 3840 x 2880 - スーパー35
- 3390 x 2465 - 標準35
- 3390 x 2865 - アナモルフィック35
- 1903 x 1143 - スーパー16
- 1581 x 1154 - 標準16
- 892 x 638 - スーパー8
- 752 x 567 - スタンダード8

オーディオ

スキャンしたイメージから抽出

HDMIフォーマット

- 3840 x 2160 Ultra HD
- 1920 x 1080 HD (モニター解像度に合わせて自動マッチ)

ダート/スクラッチ除去

- 光源の拡散
- クリーニングローラー

マウントオプション

- デスクマウント
- ウォールマウント

ダイナミックレンジ

- 通常スキャン: 12ストップ
- HDRスキャン: 最大3.5ストップまで追加可能

トランスポート機能

操作速度

稼働速度

1~30 fps

シャトル

1~100 fps (35mm)

1~200 fps (16mm)

フィルム収縮許容

2%まで保証。それ以上は注意次第で可能。

アクセラレーション

5~30 fps/s

容量

2000ft (35mm)

接続

HDMIビデオ出力

プレビュー用HDMI 1.4 10-bit
4:2:2 x1

オプションインターフェース

XLR6

コンピューターインターフェース²

– イメージ/オーディオキャプチャー
およびソフトウェアアップデート用
Thunderbolt™ 3、USB-C充電
(5V15W)

– PCI Express 4レーン
ジェネレーション2

¹ クロップされたイメージのみの解像度。

² Cintel Scannerには、Thunderbolt 2のみ搭載。

³ Cintel Scanner 2以降。

2相/タイムコード出力³

– バイフェーズ 4.5V DCカップルド
– タイムコード 1.5V DCカップルド

– 24、25、30fpsのタイムコードを
サポート

アナログオーディオ入力

2chプロフェッショナルバランスアナ
ログオーディオ (XLR端子、サンプル
レートコンバーター搭載。レベルは
10dBV)

AES/EBUオーディオ入力

2ch (XLR端子、サンプルレート
コンバーター搭載)

電源条件

電圧範囲

90~240V AC

電源

200W

ヒューズ

T5AL 20mm

理想的なフィルムの状態

作動温度

18~28°C

相対湿度

最大65% (結露なし)

オペレーティングシステム

Mac、Windows、Linux

アクセサリ

– Cintel Audio and
KeyCode Reader

– Cintel Scanner
16mm Gate HDR

– Cintel Scanner
8mm Gate HDR

– Cintel Scanner
35mm Gate HDR

– Cintel Cleaning Roller Kit

– Blackmagic PCI
Express Cable Kit

Audio and KeyCode Reader

イコライゼーション

光学オーディオ SMPTE、
磁気オーディオ IEC

対応KeyCodeスキャン速度

全スキャン速度

LEDの種類

光学オーディオおよび
KeyCode Deep RED

対応オーディオスキャン速度

選択したフレームレートの1.25倍
(6fps)

例：フレームレートが24fpsのフィルムの
最大スキャン速度は30fps。16mm
フィルムの下限は12fps。

対応光学オーディオタイプ

- 可変面積式オーディオ
- 濃淡式オーディオ

オーディオサンプリングレート およびビット深度

48kHz、24-bit PCM WAVファイル

光学オーディオ 35mm

帯域幅

40Hz-16kHz +-2dB

SN比：⁴

透明フィルムベース -65dB

ワウフラッター⁵

< 0.15%

光学オーディオ 16mm

帯域幅

40Hz-7kHz +-2dB

SN比：⁴

透明フィルムベース -65dB

ワウフラッター⁵

< 0.3%

16mmシングルパーフォー レーション、磁気ストライプ

ヘッド圧

15g

帯域幅⁶

32Hz-14kHz +-2dB

SN比：⁴

-55dB

ワウフラッター⁵

< 0.3%

フル変調レベル

-18dBFS

ヘッドフォンレベル⁷

50Ωロードで-18dBu

オーディオ接続

XLR6

コンピューターインターフェース

USB-C

(ソフトウェアアップデート用)

消費電力

12V DCで10W

サイズ

高さ：156mm

幅：92mm

奥行き：106mm

重量：1.35kg

⁴ SN比はFLAT特性で計測。

⁵ ワウフラッターはIEC 386に基づき計測。

⁶ 理論上、磁気オーディオの帯域幅は意図的に20~20kHzになっていますが、これを数値で表すテスト機器がありません。

⁷ ヘッドフォン出力は確認目的のみの使用を意図しています。

規制に関する警告



欧州連合内での電気機器および電子機器の廃棄処分

製品に記載されている記号は、当該の機器を他の廃棄物と共に処分してはならないことを示しています。機器を廃棄するには、必ずリサイクルのために指定の回収場所に引き渡してください。機器の廃棄において個別回収とリサイクルが行われることで、天然資源の保護につながり、健康と環境を守る方法でリサイクルが確実に行われるようになります。廃棄する機器のリサイクルのための回収場所に関しては、お住いの地方自治体のリサイクル部門、または製品を購入した販売業者にご連絡ください。



この機器は、FCC規定の第15部に準拠し、クラスAデジタル機器の制限に適合していることが確認されています。これらの制限は、商用環境で機器を使用している場合に有害な干渉に対する適切な保護を提供するためのものです。この機器は無線周波エネルギーを生成、使用、放出する可能性があります。また、指示に従ってインストールおよび使用しない場合、無線通信に有害な干渉を引き起こす恐れがあります。住宅地域で当製品を使用すると有害な干渉を引き起こす可能性があります。その場合はユーザーが自己責任で干渉に対処する必要があります。

動作は次の2つを条件とします：

- 1 本機は、有害な干渉を起こさない。
- 2 本機は希望しない動作を発生しかねない干渉を含む、いかなる受信干渉も受け入れる必要がある。



R- REM-BMD-201805001



ISED Canadaステートメント

本機は、カナダのクラスAデジタル機器の規格に準拠しています。

本機のいかなる改造、あるいは目的の用途以外での使用は、これらの規格への順守を無効にすることがあります。

HDMIインターフェースへの接続は、必ず高品質のシールドHDMIケーブルを使用する必要があります。

本機は、商用環境で目的の用途に順守した使用においてテストを行なっています。非商用環境で使用された場合、無線妨害を引き起こす可能性があります。

安全情報

感電を避けるため、必ず保護接地のあるコンセントに接続してください。不明な点がある場合は、資格を持った電気技師に連絡してください。

感電のリスクを減らすため、水が跳ねたり、滴るような場所には置かないでください。

この製品は、周囲温度が最高40°Cまでの熱帯地区での使用に対応しています。ただし、フィルムの最適条件は18~28°Cであることを留意してください。

通気が妨げられないように、この製品の周囲は通気に十分なスペースを開けるようにしてください。

この製品の内部には、ユーザーが保守できる部品はありません。メンテナンスに関しては、お近くのBlackmagic Designのサービスセンターにお問い合わせください。



海拔2000m以上では使用しないでください。



警告

Cintel Scannerの重量はフィルムを装填した場合、最大70kg/155ポンドにも及びます。これは、大画面テレビをはるかに上回る重量です。壁やデスクの構造が、装填されたフィルムとスキャナー自体の重量に耐えられるかどうか不明な場合は、安全のために必ず資格のあるエンジニアに取り付けが可能かどうか診断してもらってください。不適切な取り付けは、スキャナーの落下を引き起こし、重大な怪我や死亡に至ることもあります。

デスクマウント

デスクマウントする場合、特にスキャナーの下に回ってデスクマウント用のネジを取り付ける際は、必ず平らで安定した場所にスキャナーを置くようにしてください。取り付け用のブラケットや取り付け具は、必ずスキャナーの重量に十分耐えられる強度があるものを使用してください。設置場所がスキャナーの重量に耐えられなかったり、時間の経過により強度が落ちたりする場合、スキャナーの落下を引き起こし、重大な怪我に至る可能性があります。

ウォールマウント

ウォールマウントする場合、長期に渡って重量に耐えられる場所に設置してください。長期の使用により強度が落ちたりする場合、スキャナーの落下を引き起こし、怪我や損傷に至る可能性があります。重量を支えられない場所には設置しないでください。取り付け用のブラケットや取り付け具は、必ずスキャナーの重量に十分耐えられる強度があるものを使用してください。設置場所の強度が不十分な場合、スキャナーの落下を引き起こし、重大な怪我に至る可能性があります。

デスク/ウォールマウントは、必ず2人以上で行ってください。1人で取り付けは行わないでください。

操作

スキャナーの操作にはユーザーが実際に作業を行う必要があり、フィルムのローディング作業は本質的に手作業です。可動部分は、危険な場合があることをご注意ください。フィルムのスキャン中は、スキャナーに手や体の一部が巻き込まれないようにしてください。

カリフォルニア州ステートメント

この製品のユーザーは、プラスチック部品内の微量の多臭素化ビフェニルなどの化学物質にさらされる可能性があります。カリフォルニア州は、多臭素化ビフェニルは発がん性があり、先天異常や生殖機能へ危害を及ぼす物質であると認識しています。

詳細は、以下のウェブサイトをご確認ください。www.P65Warnings.ca.gov

正規サービススタッフへの注意



メンテナンス前に、電源を電源インレットから外してください。

ヘルプ

すぐに情報が必要な方は、Blackmagic Designオンラインサポートページで、Cintelスキャナーの最新サポート情報を確認できます。

Blackmagic Designオンラインサポートページ

最新のマニュアル、ソフトウェア、サポートノートは、www.blackmagicdesign.com/jp/supportのBlackmagicサポートセンターで確認できます。

Blackmagic Designフォーラム

弊社ウェブサイトのBlackmagic Designフォーラムは、様々な情報やクリエイティブなアイデアを共有できる有益なリソースです。経験豊富なユーザーやBlackmagic Designスタッフによって、すでに多くの問題の解決策が公開されていますので、このフォーラムを参考にすることで、現在の問題をすばやく解決できることがあります。ぜひご利用ください。Blackmagicフォーラムには、<http://forum.blackmagicdesign.com>からアクセスできます。

Blackmagic Designサポートへの連絡

サポートページやフォーラムで必要な情報を得られなかった場合は、サポートページの「メールを送信」ボタンを使用して、サポートのリクエストをメール送信してください。あるいは、サポートページの「お住まいの地域のサポートオフィス」をクリックして、お住まいの地域のBlackmagic Designサポートオフィスに電話でお問い合わせください。

現在インストールされているソフトウェアのバージョンを確認

Mac/Windows/LinuxコンピューターにインストールされているDaVinci Resolveのバージョンを確認するには、DaVinci Resolveを開きます。「DaVinci Resolve」メニューの「About DaVinci Resolve」メニューをクリックすると、ソフトウェアのバージョンが表示されます。

Mac/Windows/LinuxコンピューターにインストールされているCintel Scannerソフトウェアのバージョンを確認するには、Cintel Setup Utilityを開きます。「About」タブでソフトウェアのバージョン番号を確認します。

最新のアップデートを入手する

コンピューターにインストールされているDaVinci ResolveおよびCintel Scannerのバージョンを確認したら、Blackmagicサポートセンター (www.blackmagicdesign.com/jp/support) で最新のソフトウェアアップデートをチェックしてください。常に最新のソフトウェアを使用することを推奨しますが、重要なプロジェクトの実行中は、ソフトウェアのアップデートは行わない方がよいでしょう。

ステータスレポートの作成

Cintel Scannerソフトウェアでは、ステータスレポートを作成できるため、Blackmagicのサポートに送信して、問題の診断や解決に使用できます。Audio and KeyCode Readerを取り付けている場合、リーダーのステータスレポートも作成できます。

ステータスレポートを作成するには、Cintel Setup Utilityを起動し、設定アイコンをクリックして「About」タブに進みます。「Device Information」セクションで「Create」をクリックします。HTMLファイルが作成され、Cintel ScannerおよびAudio and KeyCode Reader両方のステータスを簡単に確認できます。

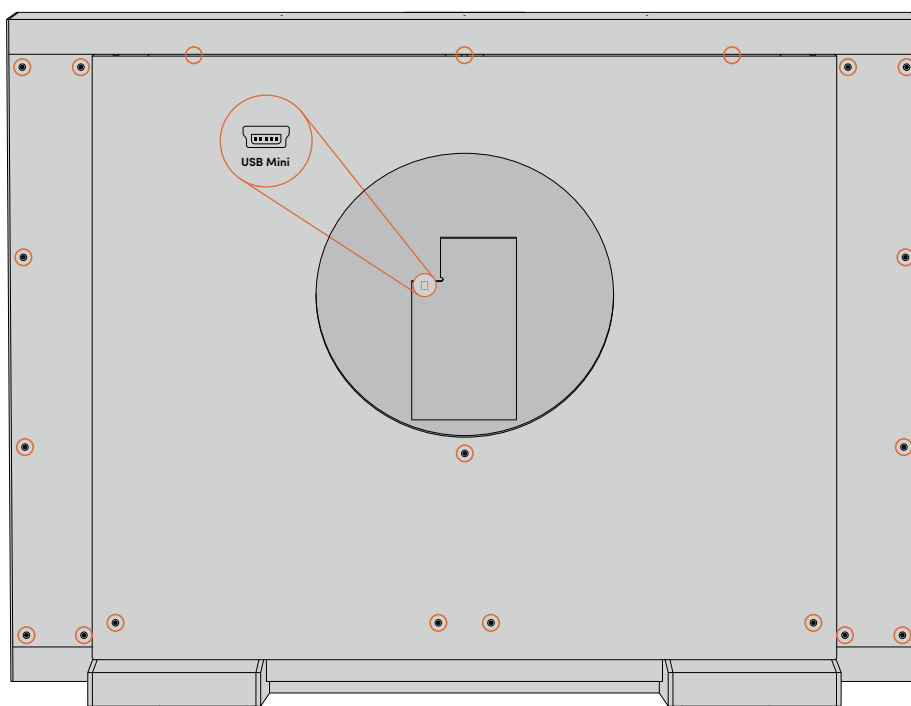
USBリカバリー

万が一アップデートが中断された場合や、アップデートの過程で問題が発生してCintelが反応しなくなった場合、コンピューターを専用のUSBポートに接続して、USBリカバリーが行えます。

USBリカバリーが実行可能な場合、Cintelに電源を入れると、Thunderboltポートの近くのステータスLEDが緑に光ります。LEDが赤の場合、Blackmagic Designのサポートにご連絡ください。

- 1 Cintel Scannerのリアパネルを取り外します。システム復旧のためのUSBポートが上部の中央付近にあります。サーキットボードの横で、Cintel Scannerのフロントに向かって差込口があり、スキャナーの上部の見える位置にあります。

メモ リアパネルに簡単にアクセスできない状態でスキャナーを移動させる必要がある場合、スキャナーは重いので移動は必ず2人で行い、重量を十分に支えられる台を使用してください。詳細は、このマニュアルの「開梱と設置」セクションを参照してください。



USBリカバリーのためにリアパネルを取り外して、USBポートにアクセス

- 2 コンピューターをUSBリカバリーポートに、mini-B USBケーブルで接続します。

- 3 最新のCintel ScannerソフトウェアをBlackmagic Designのウェブサイトからダウンロードし、コンピューターにインストールして起動します。Cintel ScannerのUSBリカバリーポートに接続されているコンピューターが検出されます。「Update Now」をクリックします。



Cintel Scannerソフトウェアは、USBリカバリーポートに接続されているコンピューターを検出

- 4 アップデートの復旧が終わると、Cintel Scannerは最新のソフトウェアに更新され、通常通りに動作するはずです。これは、USBケーブルを外し、Thunderboltケーブルを接続して、スキャナーを再起動することで確認できます。
- 5 リアパネルを取り付け、Cintel Scannerを普段設置している場所に戻します。さらなるサポートが必要な場合は、Blackmagic Designのフォーラムをチェックするか、Blackmagic Designのサポートセンターにご連絡ください。

保証

12ヶ月限定保証

Blackmagic Designは、お買い上げの日から12ヶ月間、本製品の部品および仕上がりについて瑕疵がないことを保証します。この保証期間内に製品に瑕疵が見つかった場合、Blackmagic Designは弊社の裁量において部品代および人件費無料で該当製品の修理、あるいは製品の交換のいずれかで対応いたします。この保証に基づいたメンテナンスを受ける際、お客様は必ず保証期限終了前にBlackmagic Designに瑕疵を通知し、保証サービスの手続きを行ってください。お客様の責任において不良品を梱包し、Blackmagic Designが指定するサポートセンターへ配送料前払で送付いただきますようお願い致します。理由の如何を問わず、Blackmagic Designへの製品返送のための配送料、保険、関税、税金、その他すべての費用はお客様の自己負担となります。

不適切な使用、または不十分なメンテナンスや取扱いによる不具合、故障、損傷に対しては、この保証は適用されません。Blackmagic Designはこの保証で、以下に関してサービス提供義務を負わないものとします。a) 製品のインストールや修理、サービスを行うBlackmagic Design販売代理人以外の者によって生じた損傷の修理、b) 不適切なインストール、使用、互換性のない機器への接続によって生じた損傷の修理、c) Blackmagic Designの部品や供給品ではない物を使用して生じたすべての損傷や故障の修理、d) 改造や他製品との統合により時間増加や製品の機能低下が生じた場合のサービス。

この保証はBlackmagic Designが保証するもので、明示または黙示を問わず他の保証すべてに代わるものです。Blackmagic Designとその販売社は、商品性と特定目的に対する適合性のあらゆる黙示保証を拒否します。製品保証期間は、Blackmagic Designの不良品の修理あるいは交換の責任が、お客様に提供される完全唯一の救済手段となります。Blackmagic Designは、特別に、間接的、偶発的、または結果的に生じる損害に対して、Blackmagic Designあるいは販売社がそのような損害の可能性についての事前通知を得ているか否かに関わらず、一切の責任を負いません。Blackmagic Designはお客様による機器のあらゆる不法使用に対して責任を負いません。Blackmagic Designは本製品の使用により生じるあらゆる損害に対して責任を負いません。使用者は自己の責任において本製品を使用するものとします。

© Copyright 2024 Blackmagic Design 著作権所有、無断複写・転載を禁じます。「Blackmagic Design」、「Cintel」、「DeckLink」、「DaVinci Resolve」は、米国ならびにその他諸国での登録商標です。その他の企業名ならびに製品名全てはそれぞれ関連する会社の登録商標である可能性があります。

Avril 2024

Manuel d'installation et d'utilisation

Blackmagicdesign 

Cintel Scanner



Cintel Scanner



Chère cliente, cher client,

Nous vous remercions d'avoir fait l'acquisition du scanner Cintel !

Votre nouveau scanner fait défiler le film en temps réel, vous pouvez donc le transférer beaucoup plus rapidement qu'avec des scanners traditionnels, qui fonctionnent en général avec des dispositifs d'entraînement intermittent. Cependant, il est important de comprendre que le scanner Cintel n'est pas un télécinéma et ne transfère pas les séquences d'images animées sur bande vidéo. En effet, il transfère le film directement dans DaVinci Resolve via Thunderbolt 3 ou PCIe, ce qui permet de monter, d'étalonner, de recadrer, de réduire le bruit et d'extraire l'audio des séquences.

En utilisant ce scanner avec DaVinci Resolve, vous disposez d'un contrôle plus poussé qu'avec un simple télécinéma, car DaVinci Resolve intègre davantage de fonctionnalités que n'importe quel autre outil. De plus, comme le Cintel utilise toutes les fonctionnalités de DaVinci Resolve, du GPU ou du eGPU, il n'a pas besoin d'être intégré à des installations onéreuses.

Les étapes de la numérisation sont simples : commencez par numériser le film avec une plage dynamique standard ou étendue en fichier intermédiaire RAW. Puis, une fois le film raccordé dans la timeline, appliquez une réduction de bruit, effectuez l'étalonnage et recadrez l'image. Il ne vous reste plus qu'à exporter votre fichier dans le format de votre choix depuis la page Exportation de DaVinci Resolve.

Nous avons également créé des accessoires pour améliorer votre workflow. L'accessoire en option Audio and KeyCode Reader permet de numériser de l'audio optique ou magnétique plus rapidement que le temps réel, et d'importer les informations du KeyCode directement dans les clips de DaVinci Resolve. En outre, le scanner offre une synchronisation vers les systèmes audio en aval.

N'hésitez pas consulter le manuel et les tutoriels DaVinci Resolve pour tirer au maximum parti du scanner. De nombreux tutoriels sur DaVinci Resolve et des formations de qualité sont disponibles sur Internet afin d'exploiter le potentiel de DaVinci Resolve.

Consultez notre page d'assistance sur www.blackmagicdesign.com/fr pour obtenir la dernière version du manuel et les mises à jour du logiciel interne du scanner Cintel.

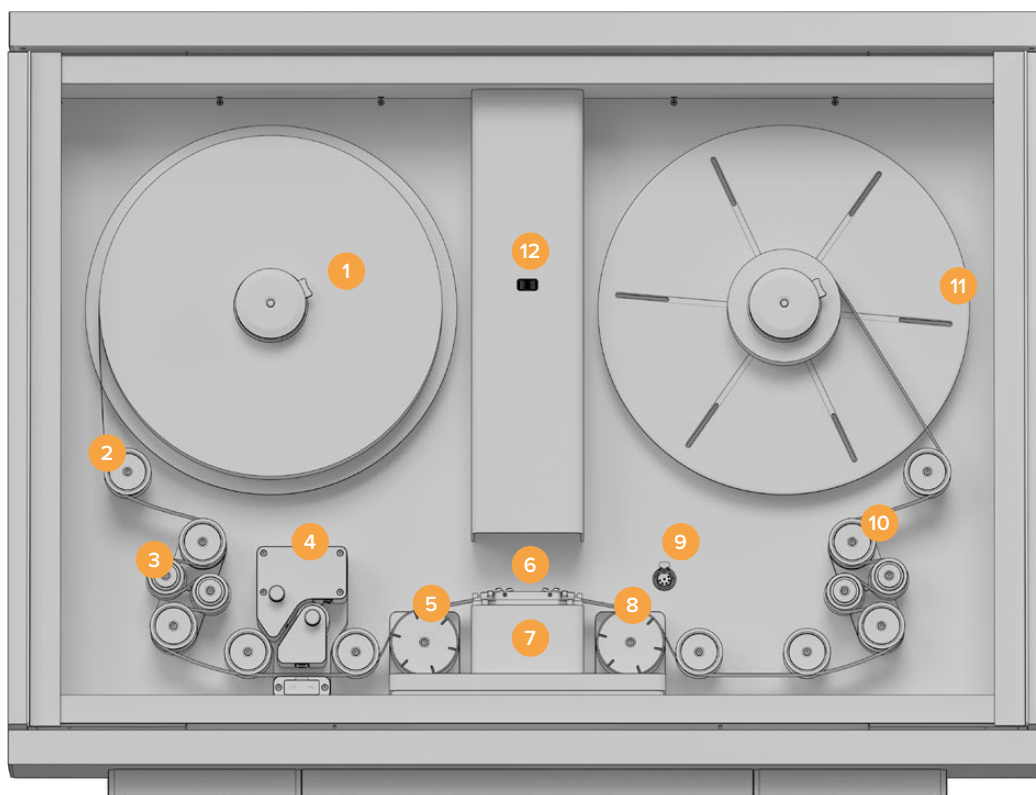
Grant Petty

PDG de Blackmagic Design

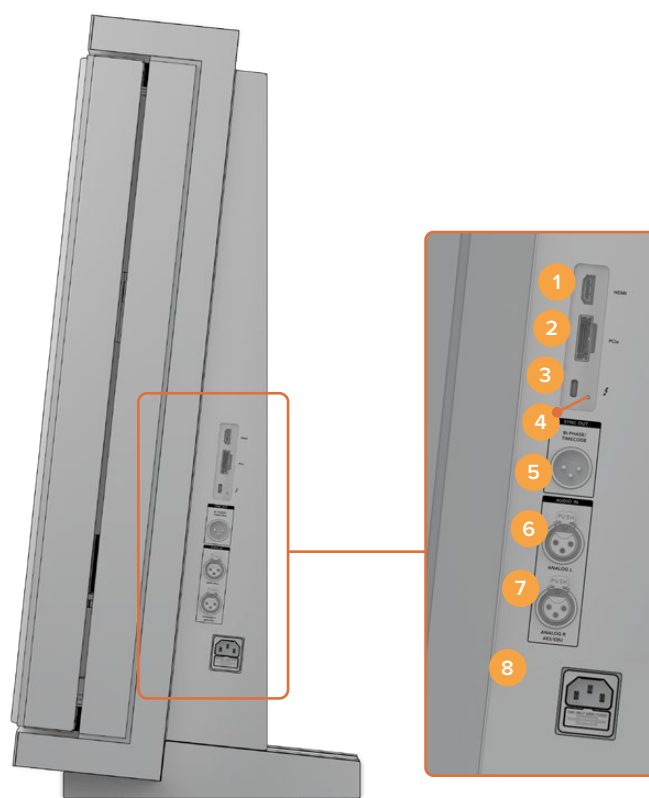
Sommaire

Accessoiriser et installer	271	Espace de couleurs et redimensionnement	309
Installer le scanner sur un bureau	271	Audio and KeyCode Reader en option	311
Montage mural	272	Installer l'Audio and KeyCode Reader	312
Avertissement d'installation du scanner	273	Lire de l'audio	314
Mise en route	274	Régler le lecteur pour la numérisation audio	315
Installer le logiciel	274	Lecture du KeyCode	321
Brancher l'alimentation	274	Configurer le lecteur pour la numérisation du KeyCode	321
Connecter le scanner à un ordinateur	274	Transcoder les fichiers au format DPX avec les métadonnées du KeyCode	322
Ouvrir DaVinci Resolve	275	Entretien	324
Mettre à jour le firmware	276	Nettoyage des galets PTR	324
Kit de développement logiciel	277	Nettoyer les cabestans	324
Qu'est-ce que le HDR ?	277	Dépoussiérage	325
Types de galets d'entraînement	278	Nettoyer le galet de l'Audio and KeyCode Reader	325
Charger le film	278	Nettoyer la tête magnétique de l'Audio and KeyCode Reader	326
Utiliser le scanner	282	Remplacement de la tête magnétique	327
Types d'enroulement	282	Remplacer le PCB de la tête magnétique	329
Charger un film 16mm	283	Réinitialiser la durée de fonctionnement de la tête magnétique	333
Charger un film 8mm	285	Vérifier l'alignement de la tête	333
Alterner entre les formats de film 8mm	286	Travailler avec des clips au sein de DaVinci Resolve	338
Vis de tension de chemin du film	288	Gestionnaire de projet	338
Commandes de lecture	289	Monter avec la page Cut	339
Mode Veille	290	Ajouter des clips à la timeline	342
Capter avec DaVinci Resolve	290	Raccorder des clips dans la timeline	343
Interface du scanner Cintel	290	Affichage des trims audio	344
Commandes du film	291	Ajouter des titres	344
Ajuster la source de lumière	294	Travailler avec des fichiers Blackmagic RAW	345
Stabilisation image	295	Étalonner vos clips avec la page Étalonnage	349
Protection du film	298		
Modifier le panneau Capture Info et les métadonnées	298		
Workflows de numérisation de film	300		
Ajuster la couleur du scanner	304		
Numériser une ou plusieurs sections du film	305		
Extraire l'audio	306		
Paramètres de l'extraction audio	307		

Ajouter une Power Window	352	Sortie	377
Utilisation de plug-ins	354	Plug-in Suppression de la poussière	377
Mixer l'audio dans la page Montage	354	Général	378
La page Fairlight	355	Type du patch	379
Ajouter des VFX et des compositions avec la page Fusion	360	Options du patch	380
Démarrer avec Fusion	362	Commandes avancées	380
Mastériser votre montage	368	Réduction de bruit	381
Exportation rapide	368	Paramètres de réduction de bruit temporelle	381
Page Exportation	369	Paramètres du seuil temporel	381
Plug-in Nettoyage automatique de la poussière	370	Paramètres de réduction de bruit spatiale	382
Commandes principales	370	Paramètres du seuil spatial	383
Commandes fines	371	Global Blend	384
Réparation des pixels chauds	371	Utiliser la réduction de bruit	384
Général	372	Plug-in Suppression des objets	386
Type du patch	373	Spécifications	388
Options du patch	374	Avis réglementaires	391
Commandes avancées	374	Informations de sécurité	392
Plug-in Correction du flicker	375	Aide	394
Paramètres principaux	375	Comment obtenir les dernières mises à jour	394
Réduction du bruit temporelle	375	Créer un rapport d'état	394
Options d'optimisation de la vitesse	376	Récupération via USB	395
Restaurer les détails originaux après la correction du flicker	376	Garantie	397



1. Pince à noyau 2. Galet 3. Galet PTR 4. Audio and KeyCode Reader en option, installé via l'interface gauche pour matériel en option 5. Galet denté de tension 6. Couloir de film 7. Source de lumière 8. Galet denté d'entraînement 9. Port expansion pour l'alignement par griffe 10. Bras de tension 11. Support arrière pour bobine 12. Molette de mise au point



1. HDMI 2. PCIe 3. Thunderbolt 3 4. État de l'alimentation 5. Sortie biphasse/timecode
6. Entrée audio 1 XLR3 7. Entrée audio 2 XLR3 8. Connexion d'alimentation

Accessoiriser et installer

Nous sommes heureux de vous présenter le scanner Cintel.

Avant de commencer à utiliser le scanner, sortez-le de la boîte et placez-le sur une surface plane ou contre un mur. Les pas de vis sont situés sous les pieds du socle du scanner pour une meilleure stabilité lorsque vous choisissez de le monter sur un bureau. Des pas de vis sont également disponibles sur le panneau arrière afin de le fixer solidement au mur.

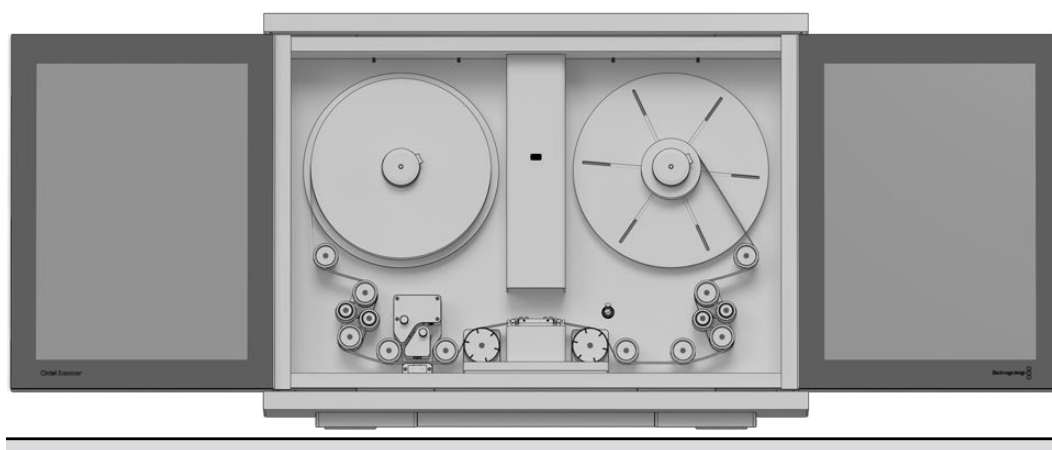
Une fois la boîte du scanner ouverte, vous verrez que la mousse a été spécialement découpée pour faciliter le retrait de l'appareil.

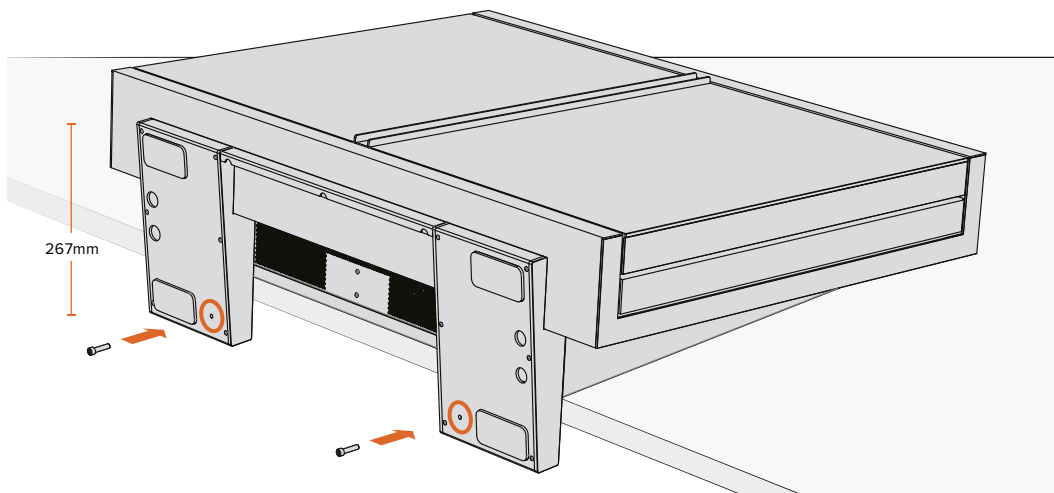
Veillez noter que Cintel pèse près de 60kg et ne peut être installé par une seule personne. Deux personnes doivent impérativement soulever le scanner en adoptant une bonne position de port : genoux fléchis et dos droit avec des mouvements lents et contrôlés.

Une fois le scanner sorti de l'emballage, placez-le sur une surface plane et stable capable de supporter le poids de l'appareil.

Installer le scanner sur un bureau

Pour une meilleure stabilité, il est possible de monter le scanner sur un bureau et de le fixer avec les pas de vis situés sur le socle du scanner. Pour ce faire, il faudra percer des trous dans le bureau ou sur la surface de travail afin d'y visser les vis de sécurité M6. Ces vis doivent ensuite être vissées sur les pieds du scanner. Cela permettra de maintenir le scanner en place.





Pour fixer le scanner sur un bureau, il est possible d'attacher fermement le scanner à la surface de travail grâce aux vis de sécurité M6 vissées aux pieds du scanner

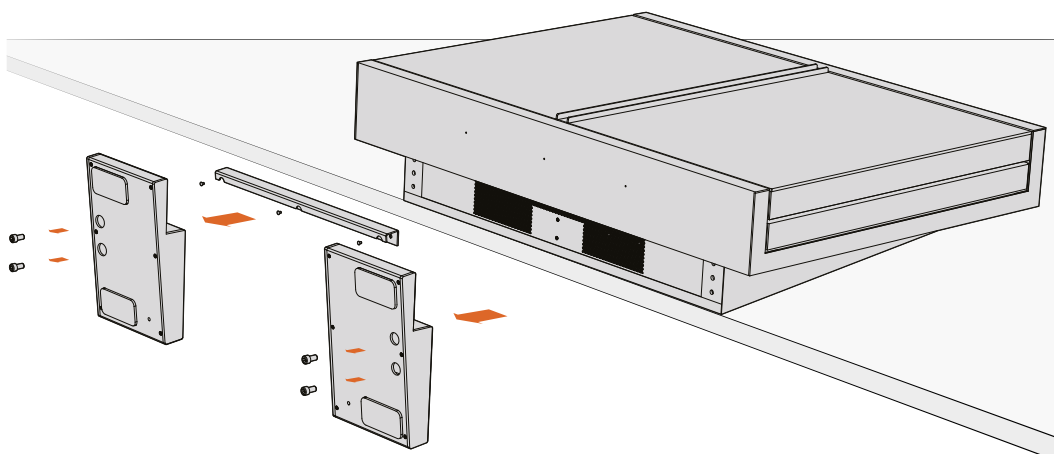
REMARQUE Votre sécurité est importante, nous vous recommandons donc de lire attentivement les informations suivantes avant d'installer votre scanner Cintel.

Montage mural

La construction élégante et fine du Cintel s'adapte parfaitement à une fixation au mur.

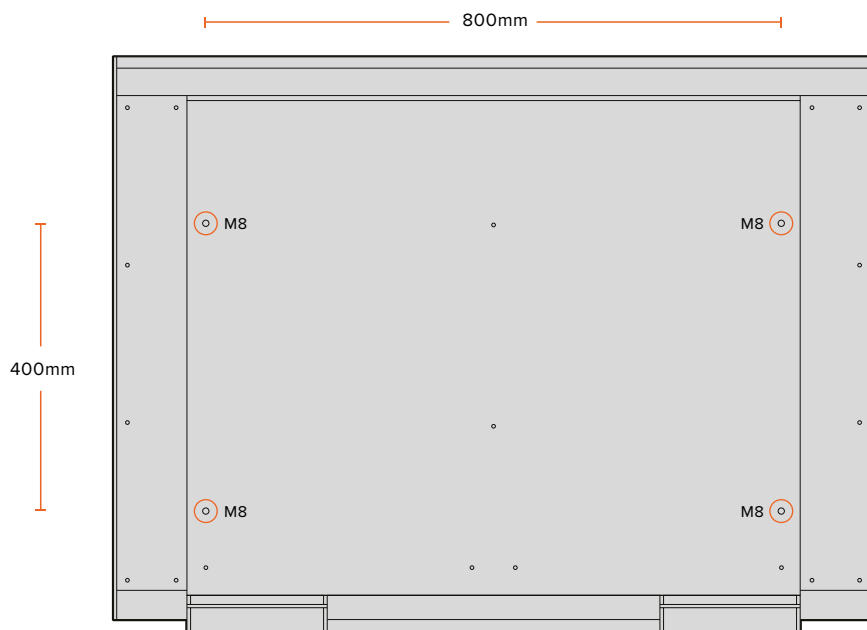
Pour ce faire, il est important de retirer les pieds et l'entretoise de maintien.

- 1 Placez le scanner face vers le haut sur une surface surélevée capable de supporter le poids du Cintel.
- 2 Dévissez les deux vis M8 du socle à l'aide d'une clé hexagonale de 6mm, puis retirez délicatement les pieds.
- 3 Retirez délicatement l'entretoise de maintien à l'aide d'un tournevis cruciforme Phillips. Conservez l'entretoise de maintien et les pieds afin de pouvoir les fixer de nouveau au scanner en cas de besoin.



Les pieds du scanner et l'entretoise de maintien peuvent être retirés si vous souhaitez fixer le scanner au mur

Les quatre pas de vis M8 du panneau arrière sont illustrés ci-dessous. Utilisez les vis M8 pour fixer le scanner au mur. Les vis M8 ne doivent pas dépasser 25mm.



Avertissement d'installation du scanner

Le scanner Cintel peut peser jusqu'à 70kg lorsqu'un film y est installé. Il est donc beaucoup plus lourd qu'un grand écran de télévision standard. Si vous ne savez pas si le mur ou le bureau pourra supporter un tel poids, veuillez vous renseigner auprès d'un ingénieur compétent qui pourra faire une estimation de la capacité de portée. Une mauvaise installation pourrait provoquer la chute du scanner et causer de graves blessures, voire la mort.

Lorsque vous installez le scanner sur votre bureau, et notamment si vous êtes sous le scanner pour fixer les vis, veuillez vous assurer que la surface de travail est bien plate et stable. Les supports de montage et les fixations doivent être suffisamment solides pour supporter le poids du scanner. Si la surface de travail n'est pas suffisamment solide pour supporter le poids du scanner, le scanner pourrait tomber et causer de graves blessures à l'utilisateur.

Lorsque vous montez le scanner au mur, assurez-vous que l'endroit du mur où le scanner est placé supportera son poids pendant des périodes prolongées. Si la surface de travail n'est pas suffisamment solide pour supporter le poids du scanner sur le long terme, le scanner pourrait tomber et causer de graves blessures à l'utilisateur. N'installez pas l'appareil dans des endroits qui ne peuvent pas supporter de lourde charge. Les fixations doivent être suffisamment solides pour supporter le poids du scanner. Si la solidité de la surface d'installation n'est pas suffisante, le scanner peut tomber et causer de graves blessures.

Monter le scanner sur un mur ou sur un bureau doit être entrepris par plus d'une personne. N'essayez pas d'installer cet appareil tout seul.

Mise en route

Après avoir déballé et installé le scanner, il suffit de le brancher à une source d'alimentation, de le connecter à l'ordinateur via Thunderbolt, de lancer DaVinci Resolve et de charger un film. Si vous souhaitez visualiser immédiatement vos fichiers numérisés sur un écran externe, vous pouvez charger le film manuellement, le mettre en tension et acheminer l'image sur un écran HDMI. Pour plus d'information, consultez la section « Charger le film » et « Commandes de lecture » de ce manuel.

Installer le logiciel

Les commandes d'acquisition du scanner se trouvent dans la fenêtre **Scanner** de DaVinci Resolve. La première chose à faire lorsque vous allumez le scanner est donc de télécharger et d'installer le logiciel DaVinci Resolve Studio. Le scanner est vendu avec un dongle DaVinci Resolve pour que vous puissiez utiliser la version complète du logiciel.

Téléchargez la dernière version du logiciel Cintel Scanner sur la page d'assistance de Blackmagic Design www.blackmagicdesign.com/fr/support.

Une fois le téléchargement terminé, dézippez le fichier et double-cliquez dessus. Le dossier d'installation s'ouvre. Exécutez simplement le programme d'installation dans le dossier d'installation et suivez les instructions à l'écran.

Vous pouvez également utiliser le SDK du scanner Cintel pour créer votre propre logiciel de contrôle. Il s'intégrera alors sans difficulté à votre workflow. Pour plus d'informations, consultez la section « Kit de développement logiciel » de ce manuel.

Brancher l'alimentation

Maintenant que le logiciel est installé sur votre ordinateur, branchez le scanner afin de pouvoir charger le film.

Branchez le scanner à l'aide d'un câble IEC standard. Le voyant LED vert du scanner s'allume lorsque l'alimentation est correctement branchée.

Connecter le scanner à un ordinateur

Il existe plusieurs façons de connecter votre Cintel Scanner à un ordinateur hôte. Vous pouvez utiliser le port Thunderbolt 3 pour les ordinateurs Windows et Mac, ou le port externe PCIe pour les ordinateurs Windows et Linux à l'aide du Blackmagic PCI Express Cable Kit. Vous pouvez également connecter un écran externe via le port HDMI pour la mise au point et la prévisualisation. Les ports Thunderbolt 3, PCIe et HDMI sont situés sur le côté droit du scanner, dans la partie inférieure.

Ouvrir DaVinci Resolve

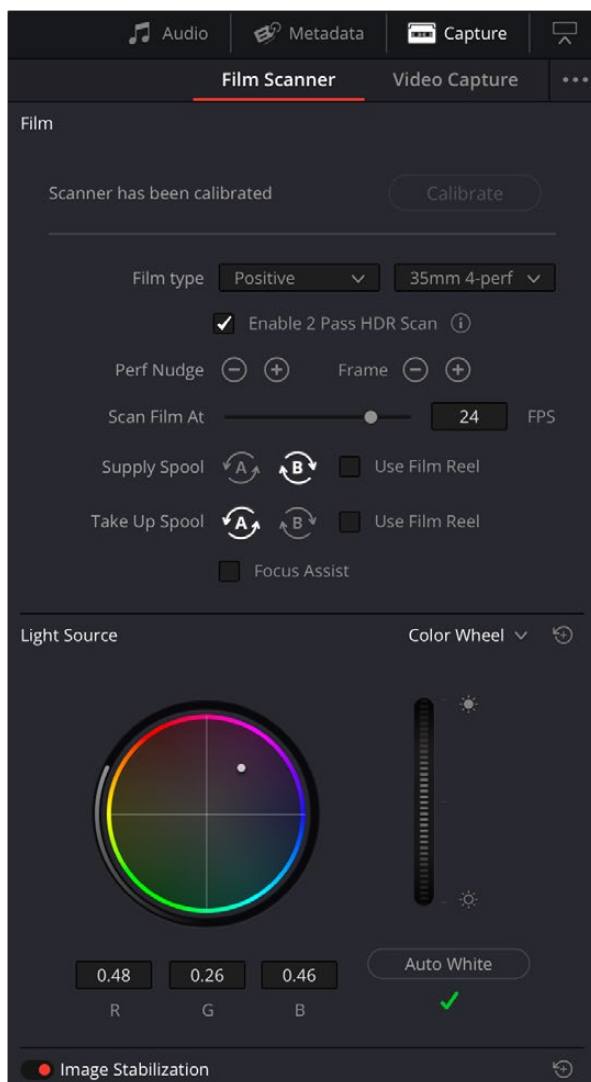
Ouvrez DaVinci Resolve et allez sur la page **Média**. Cliquez sur le bouton **Capturer** situé en haut à droite de l'écran pour ouvrir la fenêtre **Scanner**.

Le scanner capture une grande quantité de données d'image, choisissez donc le dossier dans lequel vous souhaitez que DaVinci Resolve enregistre les fichiers.

Pour ce faire :

- 1 Ouvrez DaVinci Resolve.
- 2 Dans la barre de menu de DaVinci Resolve, cliquez sur **Préférences**.
- 3 Dans l'onglet **Espaces de stockage**, cliquez sur l'icône +. Sélectionnez le disque dur ou le chemin d'accès de votre choix.
- 4 Cliquez sur **Sauvegarder** et redémarrez DaVinci Resolve.

Pour des explications détaillées concernant l'utilisation des commandes de la fenêtre **Scanner** de DaVinci Resolve, consultez la section « Capturer depuis DaVinci Resolve ».



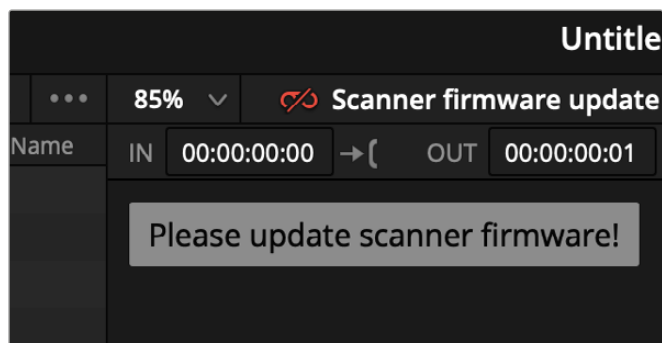
La fenêtre **Scanner** de DaVinci Resolve permet de contrôler tous les paramètres d'acquisition

Mettre à jour le firmware

Le scanner Cintel et l'Audio and KeyCode Reader disposent d'un firmware interne qu'il faut mettre à jour une fois le logiciel Cintel Scanner installé sur votre ordinateur.

Scanner Cintel

Une fois le logiciel Cintel Scanner installé, connectez-vous au scanner Cintel pour savoir si celui-ci doit être mis à jour.



DaVinci Resolve affiche un message d'avertissement quand le scanner Cintel est verrouillé.

Audio and KeyCode Reader

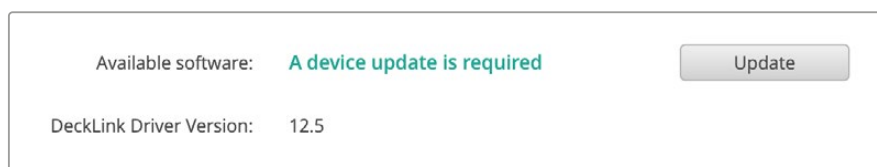
Lorsque le firmware de l'Audio and KeyCode Reader doit être mis à jour, le lecteur se verrouille et un message d'avertissement s'affiche sur DaVinci Resolve pour vous rappeler de faire la mise à jour, comme indiqué sur l'image précédente.

Mettre à jour le firmware

Les mises à jour logicielles du scanner Cintel et de l'Audio and Keycode Reader sont accessibles sur l'utilitaire Cintel Setup.

Pour mettre à jour le firmware du scanner Cintel et de l'Audio and KeyCode Reader :

- 1 Branchez le scanner Cintel à une source d'alimentation et reliez-le au port Thunderbolt 3 ou PCIe de votre ordinateur.
- 2 Si vous mettez l'Audio and KeyCode Reader à jour, connectez-le à votre ordinateur avec un câble USB-C.
- 3 Exécutez l'utilitaire Cintel Setup et sélectionnez le scanner ou l'appareil audio.
- 4 Cliquez sur le bouton de réglages et allez sur l'onglet **Setup**. Si une mise à jour est disponible, cliquez sur le bouton **Update**.



L'onglet **Setup** vous informe si une nouvelle version du firmware est disponible pour le Cintel Film Scanner ou le Cintel Audio and KeyCode Reader

Le firmware est à présent mis à jour. Vous disposez donc des fonctionnalités et des prises en charge les plus récentes.

Kit de développement logiciel

Un kit de développement logiciel (SDK) est fourni gratuitement avec votre scanner. Ce SDK multiplateforme est compatible avec Mac, Windows et Linux. Il offre des exemples d'applications qui vous permettent de contrôler votre scanner de la même manière qu'avec DaVinci Resolve, mais depuis des lignes de commande.

Vous pouvez utiliser ce SDK pour développer des logiciels permettant de contrôler votre scanner, de changer les paramètres, d'enclencher la numérisation et de traiter les clips. DaVinci Resolve Studio est inclus avec votre scanner, mais le SDK peut vous permettre de développer des logiciels pour opérer votre scanner depuis un ordinateur qui ne répond pas forcément aux spécifications requises pour DaVinci Resolve. Pour plus d'informations, consultez la page Développeurs du site Internet de Blackmagic Design.

Qu'est-ce que le HDR ?

HDR est le sigle de High Dynamic Range, signifiant plage dynamique élevée. C'est une technique qui consiste à combiner plusieurs images à différentes expositions pour étendre la plage dynamique générale et pour réduire le bruit. Le scanner effectue une numérisation HDR en deux passes. La première passe numérise à une exposition normale. L'exposition de la deuxième passe est considérablement plus élevée afin d'offrir plus de détails dans les basses lumières pour les positifs ou dans les hautes lumières pour les négatifs. Lorsque les deux expositions sont combinées, vous obtenez une image avec une profondeur de bits plus élevée.



Passé à exposition normale à gauche et passé à exposition élevée à droite

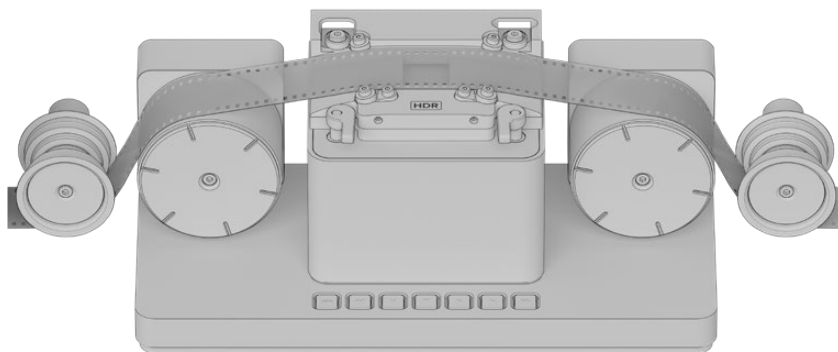


La même image a été numérisée et zoomée pour montrer la différence entre le mode HDR (gauche) et le mode normal (droite). La numérisation en mode HDR offre moins de bruit, des couleurs plus précises et plus de détails dans les hautes et les basses lumières.

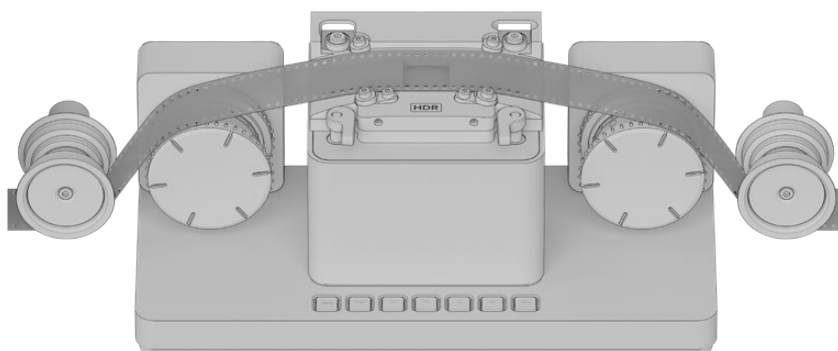
Les couloirs HDR de haute précision et le stabilisateur d'image alignent la première numérisation avec la deuxième de manière ultra précise à l'aide d'un filtre haut de gamme, capable de recréer un clip HDR sans aucun artéfact d'alignement.

Types de galets d'entraînement

En fonction du modèle, le scanner Cintel est équipé de cabestans ou de galets dentés. Ces deux types de galets d'entraînement tournent pour faire avancer ou rembobiner le film, puis, ils interrompent leur mouvement pour aligner précisément les images sur le couloir du capteur d'image. Les galets d'entraînement du scanner Cintel ne peuvent pas être échangés contre des galets tiers.



Les cabestans entraînent le film avec très peu de frottement, ce qui préserve les perforations fragiles ou abimées



Les dents des galets dentés entraînent les perforations du film sans toucher à l'image

Le galet denté d'entraînement principal entraîne le film, tandis que le galet secondaire joue le rôle de galet de tension pour que le film bouge le moins possible sur le couloir de film. La disposition asymétrique des galets d'entraînement du scanner Cintel permet de faire avancer ou de rembobiner le film très précisément, quelle que soit la vitesse.

Charger le film

Le scanner et le logiciel DaVinci Resolve sont désormais connectés, vous pouvez donc charger le film sur l'appareil.

Accéder au scanner

Ouvrez les portes coulissantes du scanner.

Dans le panneau interne, la bobine débitrice se trouve à gauche et la bobine réceptrice se trouve à droite. La bobine débitrice maintient le film à numériser en place, tandis que la bobine réceptrice reçoit le film numérisé.

Régler le type d'enroulement du film

Choisissez le type d'enroulement des bobines afin qu'elles tournent dans la bonne direction. Allez dans la fenêtre **Scanner** de DaVinci Resolve pour régler le paramètre **Type d'enroulement**. Réglez **Bobine originale** et **Bobine réceptrice** sur **B** et **A**, respectivement.

Le réglage B/A est le type d'enroulement par défaut du scanner : la bobine débitrice tourne dans le sens des aiguilles d'une montre, et la bobine réceptrice tourne dans le sens inverse. Pour plus d'informations, consultez la section « Types d'enroulement » de ce manuel.

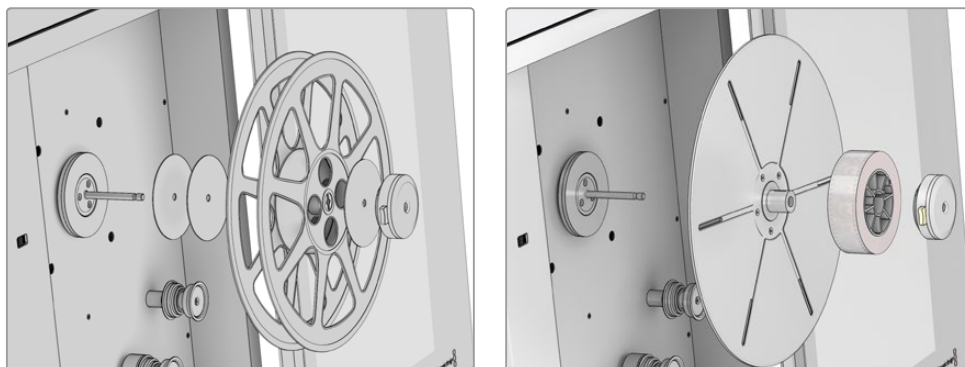
Vous pouvez profiter de cette étape pour régler les autres paramètres en fonction de votre film et de sa taille. Vous pouvez sélectionner le type de film et le format adéquats dans la fenêtre Film scanner de DaVinci Resolve, ainsi que les options 8mm, 16mm, 35mm et d'autres formats de perforation.

Préparer la bobine réceptrice

Faites glisser le noyau de la bobine de 75mm et la pince à noyau sur l'arbre de la bobine réceptrice. Pour positionner la pince à noyau, appuyez sur le bouton de la pince et poussez-la sur l'arbre jusqu'à ce que vous sentiez une résistance. Relâchez le bouton et poussez la pince jusqu'à ce que vous entendiez un clic.

Charger le film

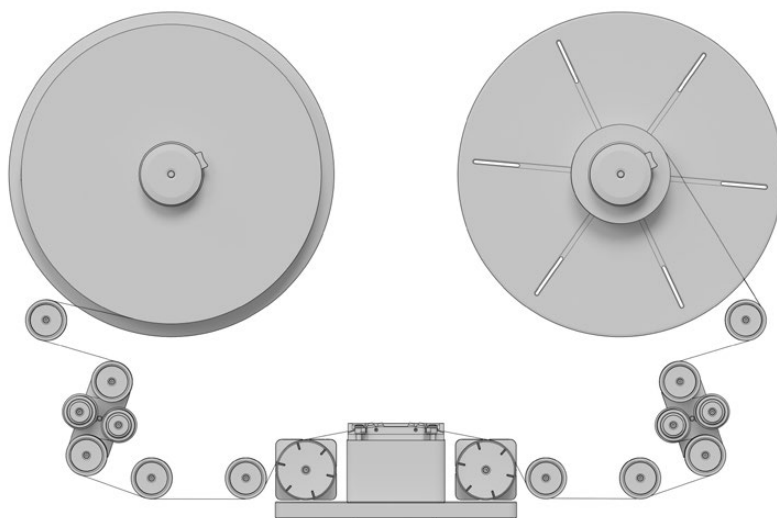
Chargez la bobine de film ou la galette sur l'arbre débiteur en répétant l'étape 3. Veuillez noter que les étapes diffèrent légèrement si vous utilisez une bobine ou une galette, et si le film est de 35mm, 16mm, ou 8mm. Par exemple, si vous chargez une galette, il faudra insérer le support arrière. Par contre, si vous utilisez une bobine, vous pourrez utiliser seulement les espaceurs.



L'illustration ci-dessus montre le chargement d'une bobine de film 35mm et d'une galette. Si vous chargez une bobine de film, le support arrière n'est pas nécessaire et vous pouvez utiliser seulement les espaceurs. Si vous chargez une galette, pensez à insérer le support arrière fourni.

Enrouler le film

Chargez délicatement plusieurs centimètres de l'amorce de début sur les galets du scanner comme indiqué ci-dessous.



L'enroulement B/A par défaut de votre scanner charge le film du bas de la bobine débitrice vers le haut de la bobine réceptrice

Mettre le film en tension

Pour sécuriser le film sur la bobine réceptrice, insérez l'amorce de fin du film dans la petite encoche de la bobine et enroulez délicatement la bobine à la main pour que le film soit bien positionné.

Si vous ne souhaitez pas plier l'amorce du film pour le placer dans l'encoche, vous pouvez simplement utiliser le frottement provoqué par l'enroulement du film pour le sécuriser dans la bobine. Vous pouvez aussi utiliser du ruban adhésif peu collant.

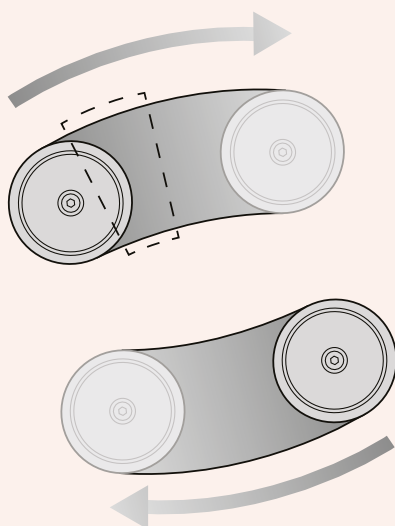
Mettez le film en tension en appuyant sur le bouton **Load**, ou en tournant manuellement et simultanément les bobines débitrice et réceptrice.

Mettre le film manuellement en tension

Lorsque vous mettez le film en tension, comme illustré ci-dessous, vous remarquerez que les bras de tension situés sous chaque bobine bougent. Une fois que les bras ont tourné d'un tiers de tour, immobilisez les bobines pendant quelques secondes. Le scanner détecte alors que le film est sécurisé sur la bobine réceptrice, ce qui active la tension automatique du reste du film.

Si un problème apparaît au cours de la mise en tension, vous pouvez annuler l'enroulement du film en appuyant de nouveau sur le bouton **Load**, ou en immobilisant la bobine réceptrice ou débitrice.

Le scanner reconnaît ces deux actions et arrête l'enroulement.



Lorsque vous effectuez une mise en tension manuelle, il faut appliquer suffisamment de tension pour tourner les bras de tension jusqu'à un peu moins de la moitié de son mouvement rotatif. Le scanner tend automatiquement tout film qui n'est pas encore en tension.

Vérifier le film

Pour vérifier si le film est correctement chargé, appuyez sur le bouton **Play** du scanner ou cliquez sur le bouton **Lecture** dans la fenêtre **Scanner** de DaVinci Resolve. Si les images apparaissent sur la fenêtre de prévisualisation, ou sur un écran HDMI branché au scanner, cela signifie que le scanner fonctionne correctement.

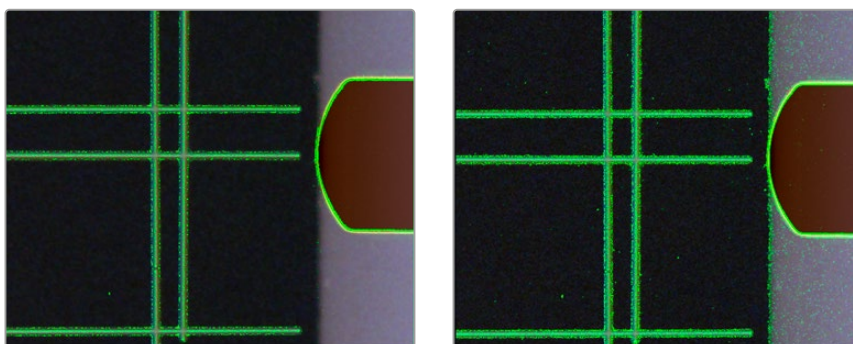
En fonction du type d'enroulement que vous utilisez, les images seront tournées soit horizontalement, soit verticalement. Il est possible d'éviter cela en sélectionnant le type de film correspondant. Par exemple, un film négatif sera affiché de gauche à droite jusqu'à ce que le paramètre **Négatif** soit sélectionné. Si le problème ne peut pas être résolu à l'aide de ces paramètres, il faudra de nouveau enrouler le film en choisissant un type d'enroulement différent.

Pour examiner l'état du film en cours de numérisation sur le Cintel Scanner G3 HDR+, maintenez le bouton **Stop** ou **Lecture** enfoncé pendant 2 secondes. Cela activera le mode d'inspection qui réduira l'intensité de la source lumineuse sur le film. Vous pourrez ainsi voir les défauts, la poussière ou les rayures. Cela vous permettra de bien examiner le film et de voir si la bobine a besoin d'être nettoyée ou réparée.

Régler la mise au point

Comme pour une caméra, il est important de régler la mise au point de l'image projetée sur le capteur du scanner. La molette de mise au point est située sur la colonne centrale du scanner. La façon la plus précise pour faire une mise au point parfaite consiste à utiliser la fonction **Aide à la mise au point** de la fenêtre **Scanner** de DaVinci Resolve. Comme avec la fonction Focus peaking des caméras Blackmagic, l'aide à la mise au point affiche un contour vert autour des zones les plus nettes de l'image. Cela vous permet de régler facilement la netteté jusqu'à ce que les zones vertes soient très présentes.

Cochez la case dans la fenêtre **Scanner** pour activer la fonction d'aide à la mise au point. La mise au point peut être facilement réglée en regardant l'écran HDMI relié au scanner Cintel ou sur le viewer situé dans la fenêtre **Scanner** de DaVinci Resolve. Le grain photographique est un excellent indicateur de netteté. Lorsque des contours verts apparaissent sur le grain du film, cela signifie que l'image est nette.



Le grain du film est un excellent indicateur de netteté. Utilisez la fonction **Aide à la mise au point** pour régler la netteté. Dans l'exemple ci-dessus, l'image floue se trouve à gauche et l'image nette se trouve à droite. La fonction d'aide à la mise au point met en valeur le grain, particulièrement visible à l'intérieur de la perforation.

L'aide à la mise au point fonctionne parfaitement avec les négatifs, car ils sont en général plus nets et comprennent une grande quantité de grain.

Afin de tirer au maximum parti de cette fonction d'aide à la mise au point, réglez l'écran en pleine résolution. Cliquez simplement sur les options de paramètre dans le coin supérieur droit de l'écran et sélectionnez **Prévisualisation en pleine résolution** dans le menu.

Il est important de noter que la prévisualisation en pleine résolution est activée jusqu'à ce que vous choisissiez de la désactiver. Ce paramètre requiert un GPU très puissant et peut donc affecter les performances de l'écran, il peut, par exemple, y avoir une image de décalage. Il est donc recommandé d'activer cette résolution uniquement pour faire la mise au point, puis de la désactiver pour garantir de meilleures performances.

Fermer les portes du scanner

Pour une numérisation de qualité, nous recommandons de fermer les portes du scanner. Les portes sont conçues pour se fermer seules, il suffit donc de les faire glisser l'une vers l'autre jusqu'à ce que le mécanisme s'enclenche. Lorsque les portes sont fermées, le couloir du film est protégé de toute source lumineuse.

La source de lumière de grande qualité du scanner élimine la pollution lumineuse dans les environnements les plus lumineux. Les films peuvent être brillants, il se peut donc que de la lumière s'y reflète et introduise de petits défauts lors de l'acquisition. Afin d'éviter ce problème, il est important de fermer les portes pendant la numérisation.

Maintenant que vous avez chargé le film, réglé la tension, mis le film en tension et fermé les portes du scanner, vous pouvez commencer la numérisation.

Veillez consulter la section Cintel du manuel DaVinci Resolve pour en savoir plus sur le calibrage de la source de lumière, le réglage du stabilisateur et les autres paramètres de la palette d'acquisition des images. Le manuel DaVinci donne davantage de détails concernant la synchronisation de l'audio et la gestion des fichiers capturés pendant la numérisation.

Si vous souhaitez en savoir plus sur l'entretien du scanner, et sur les spécifications techniques, consultez les sections « Entretien » et « Spécifications » de ce manuel.

Utiliser le scanner

Cette section du manuel vous montre comment charger les différents types d'enroulement du film pour les pellicules de 8mm et 16mm, fournit des instructions pour l'installation et l'ajustement des kits 8mm et 16mm Gate optionnels et décrit comment utiliser les commandes de transport locales sur votre scanner Cintel.

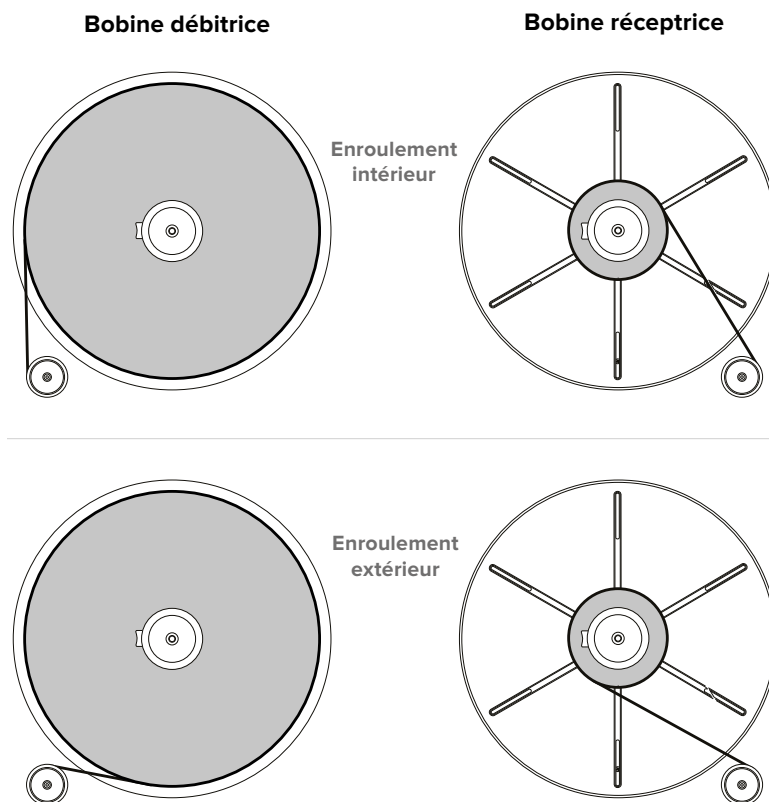
Types d'enroulement

Le type d'enroulement indique la position de chargement du film, ainsi que le sens dans lequel les bobines débitrices et réceptrices tournent. Comme indiqué ci-dessous, l'enroulement intérieur **A** fait référence au chargement du film à partir du haut de la bobine, alors que l'enroulement extérieur **B** fait référence au chargement du film à partir du bas de la bobine. Cela s'applique à la bobine débitrice et à la bobine réceptrice.

L'enroulement par défaut du scanner est B/A. La bobine débitrice désengage le film à partir du bas et la bobine réceptrice enroule le film à partir du haut. Si le film sur lequel vous travaillez est enroulé différemment, d'autres combinaisons d'enroulement intérieur et extérieur sont prises en charge. Sélectionnez simplement le type d'enroulement à l'aide des boutons **Feed** et **Take up** dans la fenêtre **Scanner** de DaVinci Resolve.

Le type d'enroulement modifie la direction dans laquelle les bobines tournent, la position des informations audio et des perforations, ainsi que si le côté émulsion du film passe vers le haut ou vers le bas sur le couloir de film. Il est donc important d'utiliser les bonnes combinaisons pour votre projet.

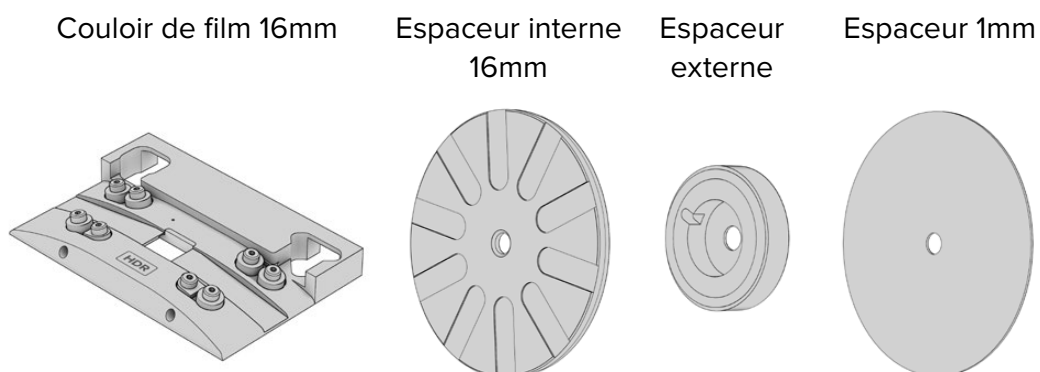
Sélectionnez le type d'enroulement dans les paramètres de la fenêtre **Scanner** de DaVinci Resolve.



Un bon moyen de se souvenir de la différence entre les enroulements A et B : l'enroulement intérieur charge et enroule le film du haut de la bobine, tandis que l'enroulement extérieur fait de même à partir du bas de la bobine.

Charger un film 16mm

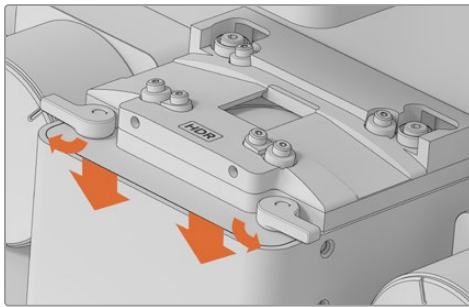
Le kit Cintel Scanner 16mm Gate en option inclut tous les éléments dont vous avez besoin pour paramétrer votre scanner.



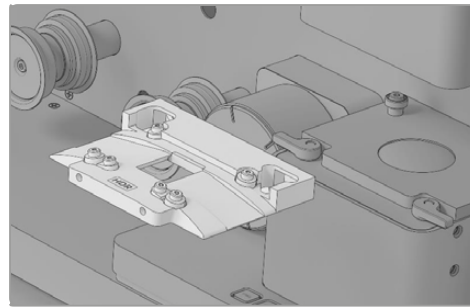
Le kit 16mm comprend un couloir de film de 16mm, deux espaceurs de 16mm, deux espaceurs externes de 16mm et quatre espaceurs de 1mm.

Changer le couloir de film

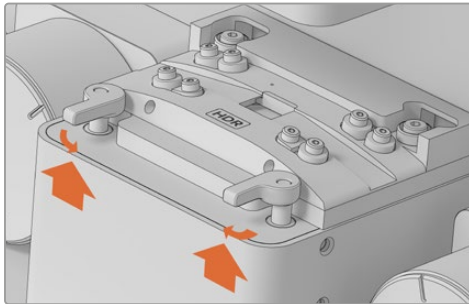
Pour changer le couloir de film 35mm contre un couloir de film 16mm, appuyez sur les leviers situés devant le couloir et tournez-les vers l'extérieur. Retirez le couloir de 35mm et remplacez-le par le couloir de 16mm. Lorsque vous installez le couloir de film, assurez-vous que les leviers sont complètement soulevés avant de les tourner vers l'intérieur, sinon, le couloir risque de ne pas être correctement fixé.



Lorsque vous enlevez le couloir de film, il faudra enfoncer les leviers de film, il faudra enfoncer les leviers et les tourner vers l'extérieur



Il faut enlever le couloir de film 35mm pour installer le couloir 16mm



Afin de sécuriser un couloir de film, soulevez les leviers au maximum et tournez-les vers l'intérieur

Insérer l'espaceur interne de 16mm

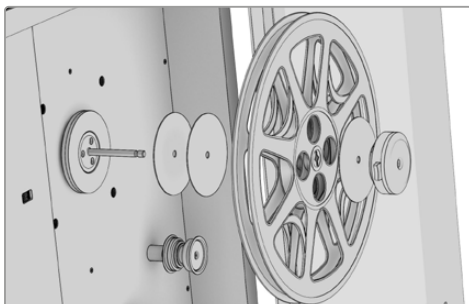
Insérez l'espaceur interne en caoutchouc de 16mm avant d'installer les bobines débitrices et réceptrices. La face rainurée de l'espaceur en caoutchouc se positionne vers l'intérieur du scanner, puis positionnez le support arrière ou la bobine.

Espaceurs supplémentaires optionnels

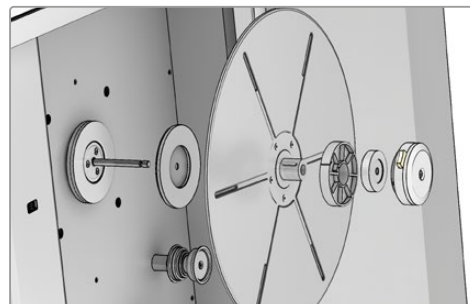
Des espaceurs en caoutchouc de 1mm supplémentaires sont inclus dans le kit Cintel Scanner 16mm Gate pour monter une bobine. Ces espaceurs peuvent servir à aligner le film avec les galets du scanner.

Monter votre film

Après avoir monté la galette ou la bobine de film 16mm sur la bobine débitrice, et le support arrière et la galette sur la bobine réceptrice, il est important d'installer l'espaceur externe pour sécuriser les bobines. L'espaceur comprend une encoche et un anneau en caoutchouc interne afin de verrouiller la galette ou la bobine, respectivement. Une fois l'espaceur en place, sécurisez les bobines comme d'habitude.



Montage d'une bobine vu de l'extérieur de l'arbre : 2 espaceurs internes 16mm, bobine 16mm, espaceur externe et pince à noyau.



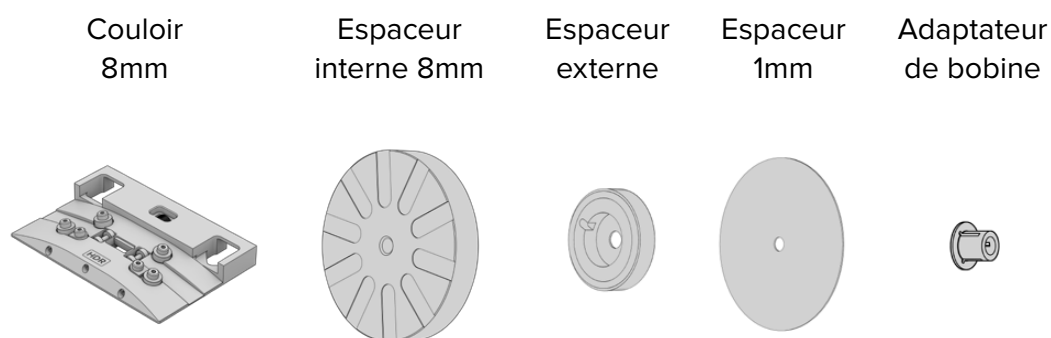
Montage d'une galette vu de l'extérieur de l'arbre : espaceur interne 16mm, support arrière, galette 16mm, espaceur externe et pince à noyau.

Enrouler le film

Chargez le film comme avec un film 35mm. Avant d'appuyer sur le bouton **Load** ou avant de mettre le film en tension manuellement, vérifiez que le film est correctement chargé sur les dents des galets d'entraînement. Cela permet de ne pas endommager le film.

Charger un film 8mm

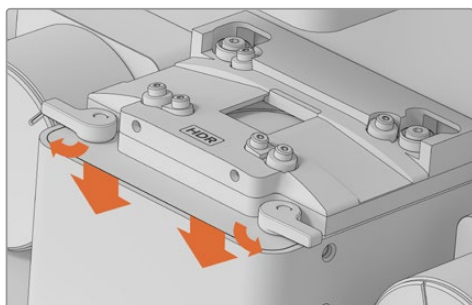
Le kit Cintel Scanner 8mm Gate en option inclut tous les éléments dont vous avez besoin pour paramétrer votre scanner.



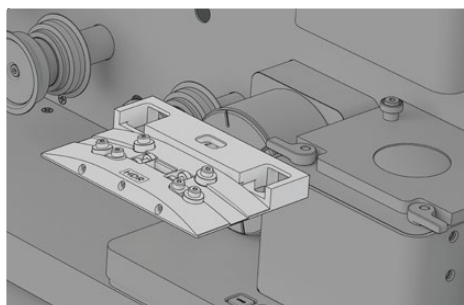
Le kit 8mm contient le couloir 8mm, deux espaceurs internes de 8mm, deux espaceurs externes, quatre espaceurs de 1mm et deux adaptateurs de bobine 8mm vers Super 8mm

Remplacer le couloir de film avec le couloir 8mm

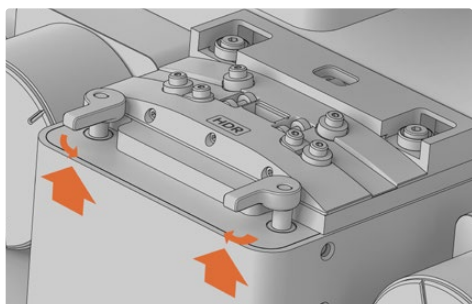
Pour remplacer le couloir de film en place par un couloir 8mm, appuyez sur les leviers situés devant le couloir et tournez-les vers l'extérieur. Retirez le couloir en place et remplacez-le par le couloir de 8mm. Lorsque vous installez le couloir de film, assurez-vous que les leviers sont complètement soulevés avant de les tourner vers l'intérieur, sinon, le couloir risque de ne pas être correctement fixé.



Lorsque vous enlevez le couloir de film, il faudra enfoncer les leviers et les tourner vers l'extérieur



Enlevez le couloir de film 35mm pour installer le couloir 8mm



Afin de sécuriser le couloir de film, soulevez les leviers au maximum et tournez-les vers l'intérieur

Insérer l'espaceur interne de 8mm

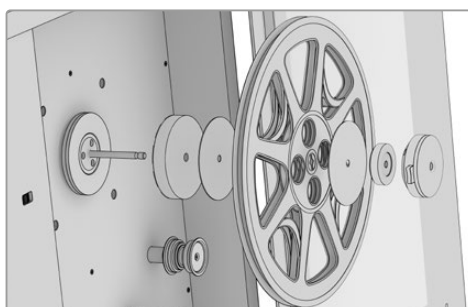
Insérez l'espaceur interne en métal de 8mm à la base des bobines réceptrices et débitrices. L'espaceur en caoutchouc se positionne vers l'intérieur du scanner avant la bobine.

Espaceurs supplémentaires optionnels

Des espaceurs en caoutchouc de 1mm supplémentaires sont inclus dans le kit 8mm Gate pour monter différents styles de bobines. Vous pouvez positionner ces espaceurs sur n'importe quel côté de la bobine afin d'aligner la bobine du film avec les galets du scanner.

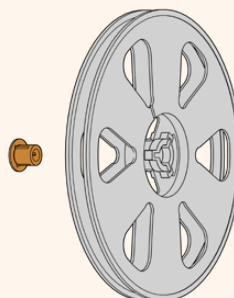
Monter votre film

Après avoir monté la bobine de film 8mm sur la bobine débitrice, et une bobine vide sur la bobine réceptrice, vous devrez installer l'espaceur externe pour sécuriser les bobines. Une fois l'espaceur en place, installez les bobines de film comme d'habitude.



Montage d'une bobine vu de l'extérieur de l'arbre :
espaceur de 8mm, espaceur de 1mm, bobine de 8mm,
espaceur de 1mm, espaceur externe et pince à noyau

CONSEIL Si vous chargez un film Super 8mm, placez les adaptateurs de bobine Super 8mm fournis sur chaque bobine. Les adaptateurs permettent de s'assurer que la bobine est correctement montée sur l'arbre.

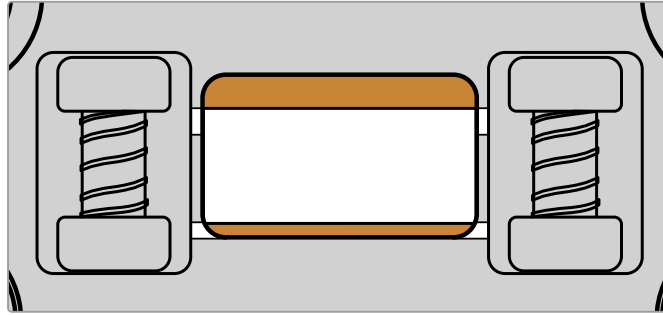


Enroulage

Chargez le film comme un film 35mm. Avant d'appuyer sur le bouton **Load** ou avant de mettre le film 8mm en tension manuellement, vérifiez que le film est correctement chargé sur les dents des galets d'entraînement. Cela permet de ne pas endommager le film.

Alterner entre les formats de film 8mm

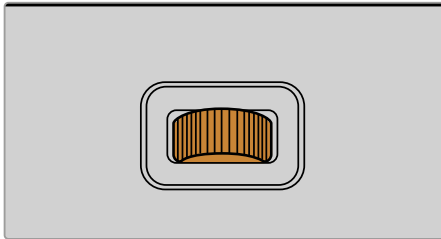
Le couloir 8mm optionnel comprend des obturateurs d'ouverture ajustables pour alterner entre les films Standard 8mm, Super 8mm et Max 8mm. Ajuster les obturateurs d'ouverture à la zone d'image non active du film aide à réduire les « reflets » sur les bords du film et à optimiser la stabilité des images.



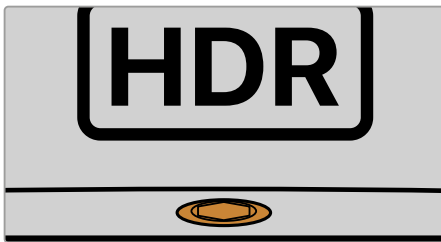
Le couloir de 8mm comprend des obturateurs d'ouverture

Ces lignes de référence servent de guide, car les films peuvent avoir rétréci ou avoir des variations d'ouverture caméra. Les retouches finales peuvent être effectuées en chargeant un échantillon de film et en contrôlant un écran HDMI local ou la prévisualisation DaVinci Resolve.

Pour ajuster les obturateurs d'ouverture :

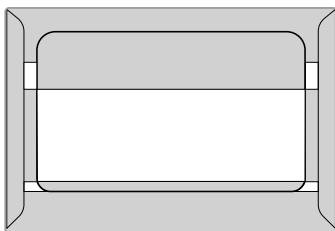


Tournez la molette vers l'arrière du couloir pour ajuster l'obturateur latéral de la perforation supérieure. Cela vous permet d'alterner entre un film Standard 8mm et Super 8mm.

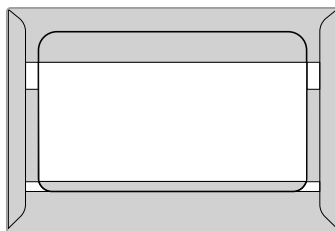


À l'aide d'une clé Allen 2mm, tournez la vis centrale à l'avant du couloir pour ajuster la partie basse hors-champ de l'obturateur. Cela vous permet d'alterner entre un film Super 8mm et Max 8mm.

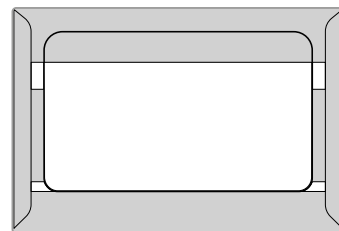
Les illustrations ci-dessous montrent les obturateurs d'ouverture ajustés pour les films Standard 8mm, Super 8mm et Max 8mm :



Standard 8mm



Super 8mm



Max 8mm

Une fois les obturateurs d'ouverture ajustés, vous pouvez charger un échantillon de film et effectuer les modifications finales pour aligner les obturateurs avec la zone de l'image non active du film.



Installation incorrecte : les obturateurs d'ouverture sont trop larges, ce qui crée des zones lumineuses sur les deux côtés de l'image.



Installation incorrecte : les obturateurs d'ouverture sont trop étroits, ce qui crée des zones sombres sur les deux côtés de l'image.

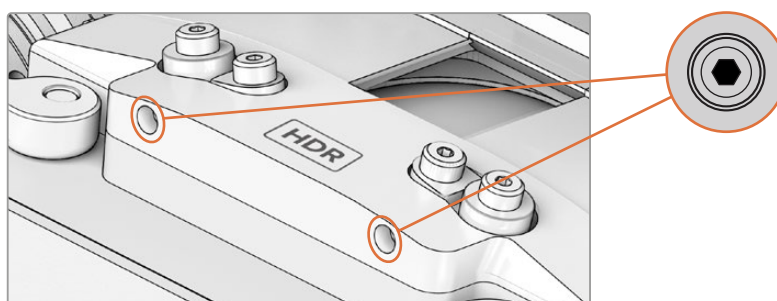


Installation correcte : les obturateurs d'ouverture sont ajustés correctement sur la bordure de la zone non active de l'image.

Vis de tension de chemin du film

Les quatre galets à coussinet du couloir de film permettent de maintenir le film en place et de diminuer le manque de fixité latérale. Si certains des coussinets ne sont pas en contact avec le film pendant la numérisation, leur tension peut être réglée. Pour ce faire, serrez légèrement les vis de tension M4 à l'avant du couloir à l'aide d'un tournevis hexadécimal de 2mm.

Veillez noter qu'une tension trop importante pourrait modifier la position de l'image, ce qui affecterait alors la qualité de la numérisation. Si cela se produit, desserrez simplement la tension jusqu'à ce que le film revienne à sa position initiale.



Les vis de tension de chemin du film sont situées à l'avant des couloirs 8mm, 16mm et 35mm.

Commandes de lecture

Les commandes de lecture suivantes sont disponibles sur DaVinci Resolve et sur le scanner.



Le scanner comprend des commandes intégrées pour charger, désengager et prévisualiser les documents numérisés



Load

Le bouton **Load** déclenchera l'enroulement du film sur les bobines débitrice et réceptrice comme indiqué dans la section « Enrouler le film ».

Lorsque le film est en tension, le bouton **Load** permettra de désengager le film en relâchant le bras de tension.



Rembobiner

Appuyez sur le bouton de rembobinage pour enrouler le film sur la bobine débitrice. Ce bouton permet de rembobiner rapidement le film jusqu'à ce qu'il atteigne le point d'arrêt d'une bobine de 75mm, à ce moment-là, le rembobinage s'arrête. Appuyez de nouveau sur ce bouton pour rembobiner doucement le reste du film sur la bobine débitrice et désengager la bobine du scanner.

Si vous utilisez une bobine 50mm, le scanner s'arrêtera tout d'abord au point d'arrêt d'une bobine de 75mm. Une deuxième pression sur ce bouton permet de ralentir le rembobinage du film jusqu'au point d'arrêt auquel une bobine de 75mm se serait arrêtée. Si le scanner détecte du film sur la bobine, le rembobinage recommence rapidement jusqu'à ce que le point d'arrêt de 50mm soit atteint. À ce moment-là, il s'arrête. Appuyez sur ce bouton une troisième fois pour terminer le rembobinage des bobines de 50mm. Pour les bobines de film 8mm, les seuils sont programmés sur des diamètres de galette de film de 63mm ou 32mm respectivement.

En raison du peu de bobines de 100mm en circulation, le scanner n'est pas programmé pour s'arrêter avant le point d'arrêt de 100mm. Si vous utilisez une bobine de 100mm, veuillez faire attention à la façon dont vous chargez le film sur la bobine réceptrice. Vous pouvez utiliser l'encoche ou si vous ne voulez pas plier l'amorce de fin du film dans l'encoche, utilisez le frottement généré par l'enroulement du film sur lui-même. N'utilisez pas de ruban adhésif si vous chargez des bobines de 100mm afin d'éviter les problèmes de chargement.



Retour arrière d'une image

Rembobine le film d'une image. Vous pouvez également maintenir ce bouton pour rembobiner lentement la pellicule.



Arrêt

Arrête la lecture, l'avance rapide et le rembobinage.



Lecture

Lit le film. La fréquence d'images par défaut est de 24 images par seconde. Vous pouvez la régler sur **Lire en sens inverse** dans la fenêtre **Scanner** de DaVinci Resolve.



Avance d'une image

Avance le film d'une image. Vous pouvez également maintenir ce bouton pour faire défiler lentement la pellicule.



Avance rapide

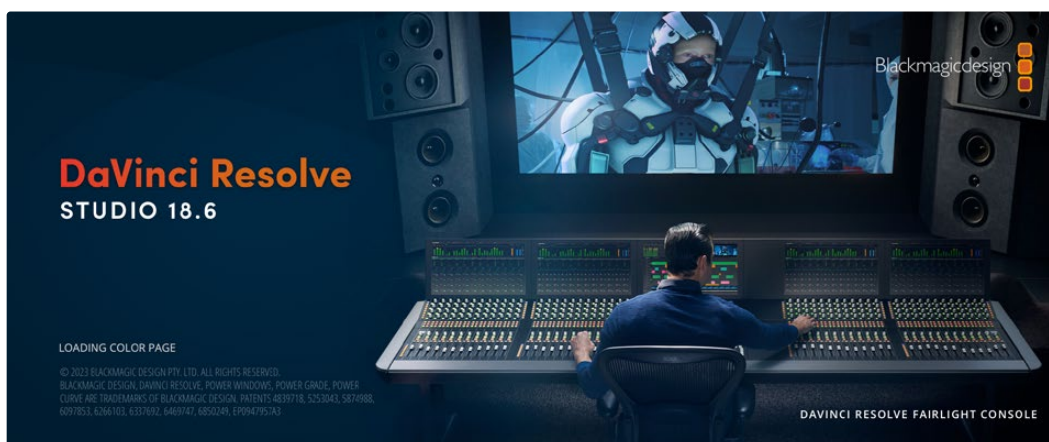
Avance le film rapidement sur la bobine réceptrice. L'arrêt en mode avance rapide s'effectue de la même façon que pour le rembobinage des bobines de 50, 75 et 100mm.

Lorsque vous maintenez enfoncé le bouton de retour arrière d'une image ou d'avance d'une image, le scanner avance ou retourne de 4 images par seconde. Dans la fenêtre **Scanner** de DaVinci Resolve, vous pouvez effectuer les mêmes opérations en cliquant et en maintenant ces boutons à l'aide de votre souris.

Mode Veille

Lorsque vous n'utilisez pas le Cintel, il se met automatiquement en mode Veille afin de prolonger la durée de vie de la source lumineuse. Ce mode se déclenche après 15 minutes si le scanner est branché avec le port Thunderbolt, ou après une minute trente lorsqu'aucun logiciel n'est connecté. Une lumière verte clignote lorsque le scanner passe en mode Veille.

Capter avec DaVinci Resolve

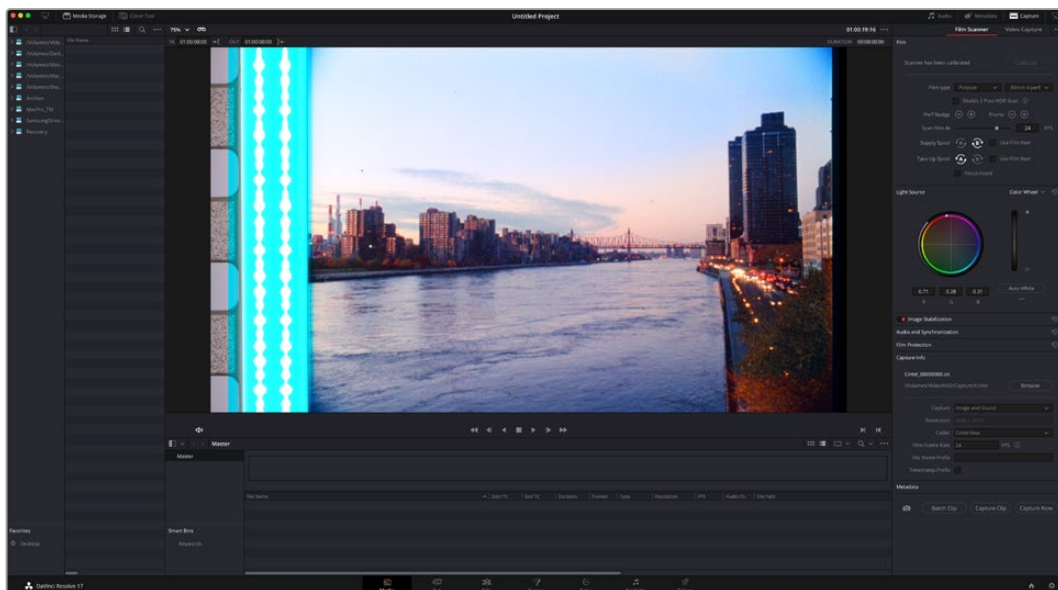


Cette section vous montre comment utiliser les paramètres et les fonctions de votre scanner dans la fenêtre **Scanner** de DaVinci Resolve. Par exemple, pour calibrer le scanner, régler l'intensité lumineuse, la température de couleur et la stabilisation de l'image. Vous pouvez également régler le degré de sensibilité du scanner Cintel en fonction de l'état de votre film.

CONSEIL DaVinci Resolve sauvegarde tous les réglages du scanner dans le projet en cours.

Interface du scanner Cintel

Cliquez sur le bouton **Capter** de la barre d'outils de l'interface en haut de DaVinci Resolve. Cette palette permet de contrôler le scanner dans la page Média. Ouvrez la fenêtre **Scanner** pour régler, calibrer et choisir les options de journalisation ou de numérisation de la bobine. Si vous souhaitez agrandir les commandes du Cintel, cliquez sur le bouton plein écran situé sur la barre d'outils de l'interface à droite et désactivez la fenêtre des métadonnées.



Commandes du scanner Cintel de la page **Média**

Commandes de transport

Les commandes de transport situées sous l'écran, bien qu'identiques aux commandes disponibles en mode Lecture, permettent de contrôler le scanner. Des commandes supplémentaires apparaissent pour avancer ou reculer d'une image à la fois.

Commandes Points d'entrée et de sortie

Lorsque vous utilisez le scanner, les boutons des points d'entrée et de sortie situés à droite des commandes de transport définissent le début et la fin du film à numériser.

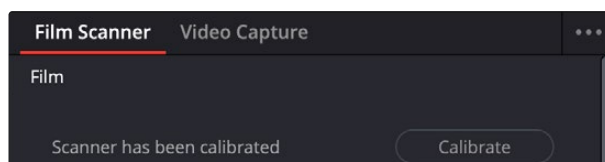
Lorsque vous utilisez le scanner, les paramètres suivants s'affichent. Ils sont situés à droite du viewer de la page Média et permettent d'envoyer le film numérisé vers la bibliothèque de médias.

Commandes du film

Les commandes du film fournissent des options pour calibrer les optiques du scanner, sélectionner le type de film, ajuster l'alignement des images, la vitesse de numérisation et la direction d'enroulement, choisir le type de bobine et activer ou désactiver l'aide à la mise au point.

Calibrage

Cette option vous permet de calibrer la lentille du scanner pour éliminer les défauts optiques et la poussière qui ne peuvent pas être retirés du film. Veuillez noter que cette option n'enlève pas la poussière du film à proprement parler.



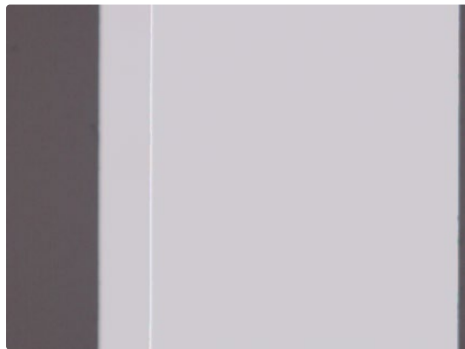
Le bouton de calibrage peut être utilisé pour enlever la poussière ou les petits défauts de l'optique du scanner Cintel

Il est recommandé d'épousseter le film avant de commencer la numérisation. Cependant, avec le temps, certains défauts peuvent rester sur la lentille. Dans ce cas, utilisez le bouton de calibrage pour les éliminer des images numérisées.

Calibrez la lentille lorsque le couloir de film est installé et correctement aligné. Cela facilite la stabilisation de l'image et offre une qualité d'image optimale.

Pour supporter les petits formats de film, le bouton de calibration analyse également le couloir installé et ajuste l'image capturée sur une référence de données. Pour des performances optimales, le processus de calibration doit être lancé sur tous les types de couloir sans film installé dans le couloir.

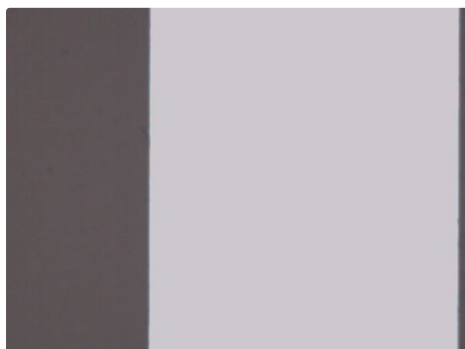
Si vous utilisez un couloir 8mm et que vous avez ajusté les obturateurs d'ouverture pour alterner entre différents formats de film 8mm, vous devrez répéter le processus de calibration pour éviter d'avoir une « image fantôme » du précédent calibration.



Calibrage incorrect : un film Super 8mm avec un calibrage Standard 8mm



Calibrage incorrect : un film Standard 8mm avec un calibrage Super 8mm

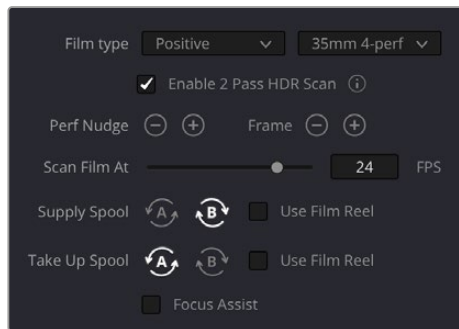


Calibrage correct d'un film Standard 8mm

Palette Film Type

Cette palette vous permet de choisir le type de film à numériser. Pour les films en couleur ou en noir et blanc, vous avez le choix entre positif, négatif, interpositif ou internégatif. La numérisation HDR offre une amélioration pour chacune de ces options. Vous pouvez également sélectionner le type de film que vous numériser. Vous avez le choix entre 35mm à 2, 3, ou 4 perforations, 16mm, et Super 8mm et 8mm. Le scanner détecte automatiquement les films de 35mm, 16mm ou 8mm. Pour la numérisation 8mm, le paramètre est réglé par défaut sur Super 8mm. Pour numériser un film 8mm ordinaire, vous devrez manuellement régler votre scanner pour ce type de film spécifique.

Lorsque vous numériser des films interpositifs et internégatifs sur un Cintel Scanner ou un Cintel Scanner G2, la plus forte densité du film requiert des pulsations lumineuses légèrement plus longues. En général, cela ne modifie pas la qualité de la numérisation, mais réduit légèrement la résolution si la numérisation dépasse 12 images par seconde. Si vous remarquez une différence de résolution, réduisez simplement la numérisation à 12 images par seconde ou moins.



Options de type de film dans la page Média

Enable 2 Pass HDR Scan

Active la capture multipasse à plage dynamique élevée. Il est important d'effectuer un **Auto Black** ou un **Auto White** sur une image à plage dynamique élevée, car cela détermine les niveaux d'exposition hauts et normaux à partir de l'image sélectionnée.

Boutons Perf Nudge

Ces boutons servent à effectuer de petits réglages de la position des perforations en fonction de l'ouverture du couloir du scanner. Command-J passe à la perforation précédente, Command-L passe à la perforation suivante.

Boutons Frame

Pour activer ces boutons, maintenez-les enfoncés. Lorsque les boutons sont activés, le film défile image par image (image suivante ou précédente). Le film s'arrête lorsque les boutons sont relâchés. Ceci est particulièrement utile pour aligner les images du film sur le capteur du scanner. Les boutons **Perf nudge** et **Frame** permettent de cadrer l'image d'un film afin que le bas de l'image précédente et le haut de l'image suivante ne soient visibles qu'en haut et en bas du viseur et que l'image principale soit cadrée.

Il est important de vous assurer que l'image qui apparaît dans le viseur n'est pas zoomée. Command + flèche vers la gauche sur le clavier passe à l'image suivante, alors que Command + flèche vers la droite revient à l'image précédente.

Curseur Scan Speed At

Avec des performances de disque adéquates, vous devriez pouvoir numériser un film en 30 im/s. Cependant, si vous numériser un film avec un disque dur lent, la vitesse de numérisation peut être réduite à une fréquence d'images qui correspond à votre projet sans perte d'image.

Bobine originale

Règle la direction de l'enroulement de la bobine débitrice. La détection automatique évite un enroulement incorrect, cependant, il vous faudra configurer la direction de l'enroulement de la bobine en fonction de chaque film.

Bobine réceptrice

Règle la direction de l'enroulement de la bobine réceptrice. La détection automatique évite un enroulement incorrect, cependant, il vous faudra configurer la direction de l'enroulement de la bobine en fonction de chaque film.

Cases Use Film Reel

L'inertie et le poids des petites bobines sont différents des grandes bobines, ce qui peut affecter le déroulement du film. Cochez cette case pour accéder aux réglages offrant une stabilité adaptée aux petites bobines.

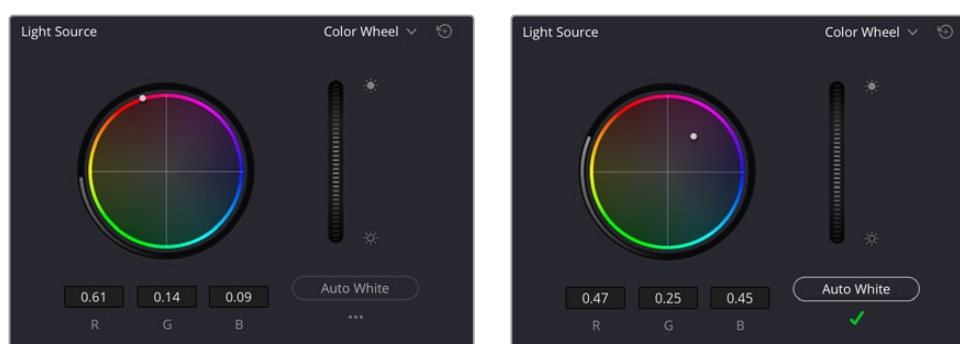
Focus assist

Active le focus peaking sur la sortie HDMI du scanner et sur l'écran situé dans la fenêtre **Scanner** de DaVinci Resolve. Cela permet d'obtenir une mise au point optimale.

Ajuster la source de lumière

Ces commandes permettent d'ajuster la source de lumière de votre Cintel Scanner afin de calibrer la densité minimum Dmin optimale. La densité minimum Dmin est la valeur numérisée minimum plus la température de couleur du matériel numérisé. Ajuster la source de lumière correctement permet d'assurer une qualité de numérisation optimale, mais aussi de ne pas écrêter les données des images pendant la numérisation. Il est conseillé de vérifier les réglages de votre source de lumière lorsque vous changez de film afin d'assurer la qualité de la captation.

Les scopes intégrés à DaVinci Resolve peuvent vous aider à régler la source de lumière de façon optimale. Vous pouvez accéder aux scopes dans la page Média en choisissant Espace de travail > Scopes vidéo > On.



Sur la gauche, les commandes de la source de lumière montrent l'état de la source de lumière non calibrée par défaut, et sur la droite, l'état lorsque le calibrage a été correctement effectué.

Roue maîtresse de la source de lumière

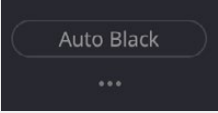
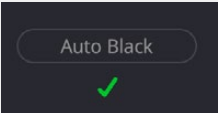
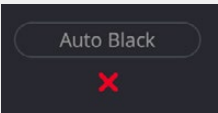
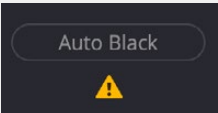
La roue maîtresse verticale de la source de lumière est située à côté de la roue chromatique. Elle règle l'intensité de la source de lumière utilisée pour éclairer le film, en augmentant ou en réduisant tous les canaux RVB à la fois. Pour un négatif standard, cela vous permet de régler les points noirs de l'image qui représentent les zones les plus foncées. Sur un film négatif, cela correspond aux hautes lumières de l'image. Réglez l'intensité pour qu'elle se situe juste au-dessus de la valeur Dmin 95, comme cela est mesuré sur l'histogramme des scopes vidéo. Cela garantit que les hautes lumières ne soient pas écrêtées par la conversion Log de style Cineon. Pour les positifs, il suffit de régler la roue maîtresse pour qu'aucune zone de l'image ne soit écrêtée.

Bouton Auto Black et Auto White

Ces boutons analysent l'image actuellement affichée dans le viewer et règlent automatiquement le point noir pour les négatifs et les internégatifs à l'aide de la zone de la barre de cadrage. Pour les positifs et les interpositifs, ils utilisent la haute lumière la plus élevée dans l'image pour régler le point blanc. La sélection de l'image est donc importante. Sinon, pour les films positifs, vous pouvez utiliser un cadre de trous de perforation pour un blanc maximal, afin de vous assurer que toutes les images suivantes sont compatibles. Lorsque vous travaillez avec des pellicules positives, le bouton **Auto Black** devient **Auto White**.

Indicateurs d'état de la source de lumière

Ces indicateurs situés sous le bouton **Auto** vous indiquent si le calibrage de la source de lumière Auto black ou Auto white s'est bien déroulé ou s'il y a des éléments à régler. Ils fournissent également un rappel pratique pour recalibrer la source de lumière LED afin d'obtenir des numérisations de qualité optimale.

	Le calibrage de la source de lumière n'a pas encore été exécuté.
	Le calibrage de la source de lumière a été exécuté avec succès.
	Le calibrage de la source de lumière a échoué. Vérifiez que le type de film sélectionné est correct, que le trajet de la lumière n'est pas obstrué et qu'une image de référence appropriée est sélectionnée. Si nécessaire, essayez d'avancer le film et de sélectionner une autre image de référence.
	Le calibrage de la source de lumière a permis d'équilibrer les couleurs, mais pas aux niveaux souhaités. Vous pouvez choisir d'accepter le résultat et optimiser l'image dans la page Étalonnage de DaVinci Resolve ou sélectionner une autre image de référence pour le calibrage avec une plage dynamique plus étendue.

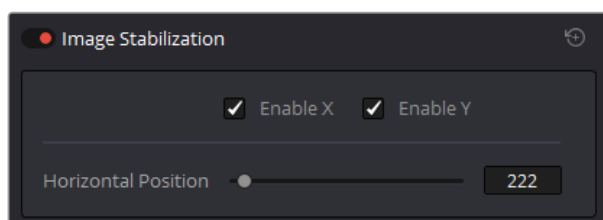
Commandes RVB

Par défaut, ces commandes vous permettent de régler les trois canaux de couleurs en variant la température de couleur de la source de lumière utilisée pour éclairer le film. Les valeurs R, V et B sont alors affichées dans les champs situés sous la roue chromatique. Si vous le souhaitez, vous pouvez choisir d'utiliser le mode **Mire** situé dans le menu contextuel de l'onglet. Le contrôle des couleurs s'effectue alors avec trois curseurs verticaux Rouge, Vert et Bleu.

REMARQUE Le calibrage de la source de lumière est sauvegardé lorsque vous changez de bobine. Cela vous permet de numériser plusieurs bobines avec un seul calibrage en mode SDR et HDR. Le dernier calibrage sera sauvegardé jusqu'à ce qu'un nouveau calibrage soit effectué, ou jusqu'à ce que votre scanner Cintel soit mis hors tension.

Stabilisation image

Ces commandes vous permettent d'activer et de désactiver la stabilisation de l'image afin d'éliminer le sautillerment et le manque de fixité latéral.



Commandes de stabilisation de l'image dans la page Média

Activation/désactivation des commandes de stabilisation d'image :

Le point situé à gauche de la barre de titre **Stabilisation de l'image** vous permet d'activer et de désactiver la stabilisation matérielle du scanner. Bien que celle-ci soit en général recommandée lorsque vous utilisez des films dont les perforations sont en bon état, vous pouvez désactiver cette option pour les perforations abîmées et si vous utilisez DaVinci.

Lorsque la stabilisation de l'image est activée, un axe horizontal X est affiché dans le viewer. Il indique le bord de la perforation qui sera utilisé pour effectuer la stabilisation. Cet affichage est automatiquement masqué lorsque vous enregistrez. La stabilisation de l'image est activée par défaut.

Cases de sélection Activer X et Activer Y

Les cases Activer X et Activer Y vous permettent de choisir entre la stabilisation matérielle, qui corrige le manque de fixité latérale, et le sautellement vertical du couloir. Si les résultats ne sont pas satisfaisants alors que les deux axes sont activés, vous pouvez désactiver l'axe dont la stabilisation pose problème et utiliser les outils de stabilisation du logiciel DaVinci Resolve à la place.

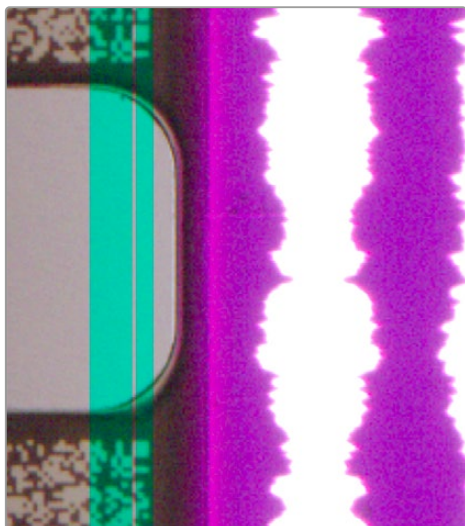
Curseur Position H

Le scanner Cintel essaie de placer automatiquement les repères de stabilisation sur la perforation au meilleur endroit.

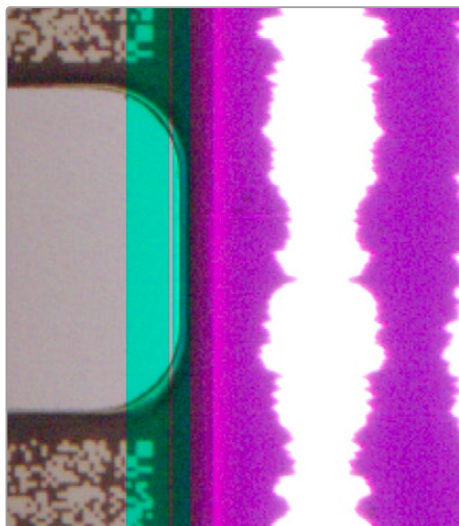
Une fine ligne transparente apparaît dans la bande de stabilisation bleue. Pour une stabilisation optimale, cette ligne doit toucher la bordure de la perforation. Si le positionnement automatique ne vous convient pas, vous pouvez déplacer manuellement la bande avec votre souris dans le viewer, ou via le curseur de positionnement horizontal.

La ligne transparente de la bande de stabilisation doit idéalement être positionnée sur le bord de la perforation, comme indiqué dans l'exemple en image. Lorsque la bande est correctement positionnée, la stabilisation matérielle corrige le manque de fixité latérale contre l'axe X.

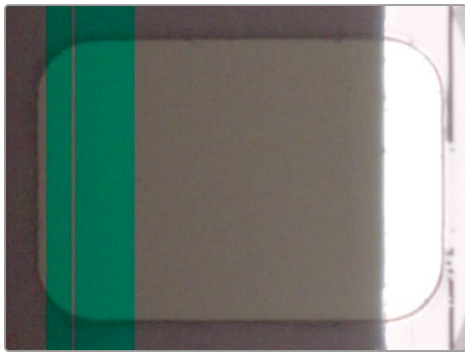
La stabilisation de l'image gère automatiquement le sautellement du couloir lorsque vous sélectionnez la case **Activer Y**. Vous n'avez ainsi pas besoin d'ajuster d'autres paramètres. Ce paramètre fonctionne conjointement avec la stabilisation horizontale.



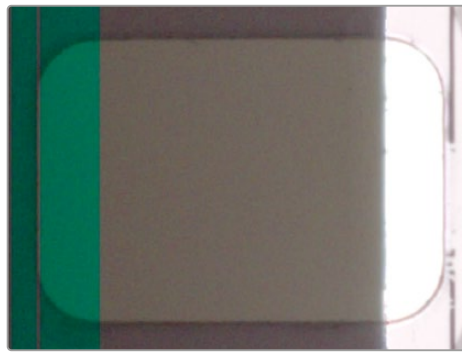
Installation incorrecte du 35mm. Ajustement de la position horizontale de la bande de stabilisation. La bande n'est pas alignée avec le bord de la perforation.



Installation correcte du 35mm. La commande de stabilisation matérielle est correctement positionnée sur la perforation dans le viewer. La ligne transparente dans la bande de stabilisation touche le bord de la perforation.



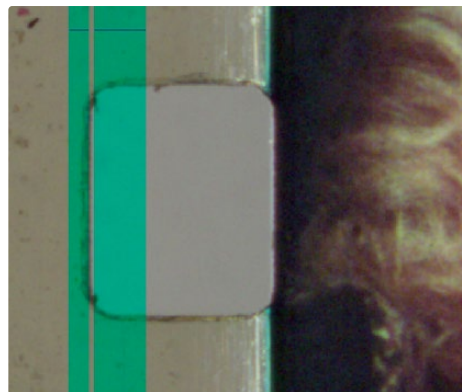
Installation incorrecte du 16mm. La bande n'est pas alignée avec le bord de la perforation. Lorsque le couloir de film 16mm HDR est installé, la bande de stabilisation s'aligne automatiquement sur l'autre côté de la perforation afin d'éviter d'interférer avec l'image et d'améliorer la stabilité horizontale. Lorsque vous utilisez un couloir de film 16mm non HDR, il fonctionne de la même façon qu'un couloir de film 35mm.



Installation correcte du 16mm. L'alignement par défaut de la bande de stabilisation est le bord gauche de la perforation car cela n'affecte pas le contenu de l'image. La ligne transparente dans la bande de stabilisation touche correctement le bord de la perforation.



Installation incorrecte du 8mm. La bande n'est pas alignée avec le bord de la perforation.



Installation correcte du 8mm. L'alignement par défaut de la bande de stabilisation est le bord gauche de la perforation car cela n'affecte pas le contenu de l'image. La ligne transparente dans la bande de stabilisation touche correctement le bord de la perforation.

Pour vérifier les résultats des paramètres de stabilisation avant l'acquisition, réglez le viewer en pleine résolution et zoomez dans la zone de perforation pour effectuer de légers ajustements. Il suffit de cliquer sur les options dans le coin supérieur droit du viewer et de sélectionner **Prévisualisation en pleine résolution**. Puis, cliquez sur le niveau de zoom dans le coin supérieur gauche du viewer et sélectionnez **100 %**. Ce paramètre ne modifie pas la fonction de stabilisation, mais permet de prévisualiser une image de bonne qualité pour contrôler les performances de stabilisation.

La prévisualisation en pleine résolution requiert un GPU puissant, ce qui peut provoquer un décalage d'image. Pour obtenir une performance optimale, désactivez la pleine résolution après avoir vérifié la stabilisation. Veuillez noter que la position de la bande sera sauvegardée au sein des paramètres du projet et non de ceux du clip. Il se peut donc que vous deviez effectuer des ajustements individuels pour plusieurs bobines.

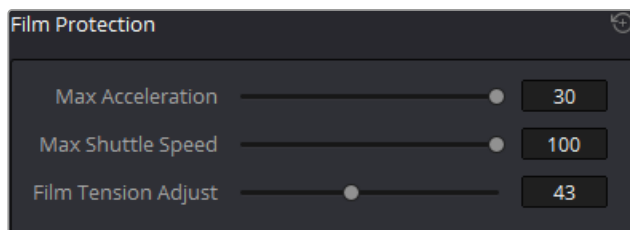
Vous pouvez remettre la bande de détection sur sa position par défaut pour un certain type de film via le bouton de réinitialisation de la fenêtre de stabilisation.

Audio et Synchronisation

La palette **Audio et synchronisation** contient les paramètres dédiés au Cintel Audio and KeyCode Reader en option. Consultez la section « Audio and KeyCode Reader en option » de ce manuel pour plus d'informations.

Protection du film

Ces commandes sont destinées à prendre en charge les films fragiles. Les accélérations rapides et la vitesse de défilement peuvent malmener les documents d'archives, il est donc recommandé d'utiliser ces curseurs pour réduire la vitesse de numérisation des films anciens.



Lorsque vous numérisez des films d'archives, les curseurs **Accélération max** et **Vitesse max. Shuttle** doivent être atténués vers la gauche.

REMARQUE Le curseur de tension du film est présent lorsque vous utilisez les scanners Cintel avec des galets dentés.

Accélération max

Permet de régler l'augmentation/réduction de la vitesse de numérisation entre 5 et 30 images par seconde.

Vitesse de défilement max

Modifie la vitesse de défilement de différentes sections du film entre 1 et 100 images par seconde pour un film 35mm et entre 1 et 200 images par seconde pour un film 16mm.

Tension du film

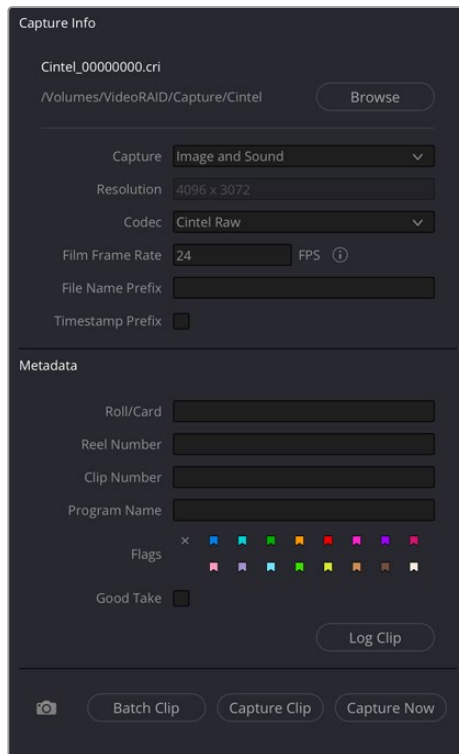
Si le scanner Cintel est équipé de galets dentés, ce paramètre permet de régler le niveau de tension appliqué au format 35mm. Il se peut que vous ayez besoin de réduire la tension si vous chargez un film fragile ou si vous souhaitez compenser un rétrécissement. Le réglage du paramètre **Tension du film** n'endommage pas le film. Les réglages étant minimes, les perforations sont protégées.

Si le scanner Cintel est équipé de cabestans, les perforations ne pourront pas être arrachées, ce paramètre est donc désactivé ou manquant.

Modifier le panneau Capture Info et les métadonnées

Lorsque vous utilisez le Cintel Scanner avec DaVinci Resolve, des champs de métadonnées de numérisation apparaissent sous la fenêtre **Scanner**. Le panneau **Capture Info** affiche les champs de métadonnées modifiables, tels que l'emplacement de sauvegarde, le type de codec, la fréquence d'images et le format des noms de fichiers. Ces métadonnées sont reliées à vos clips et peuvent être lues sur la page Média.

Avant de commencer la numérisation, vous aurez peut-être besoin de modifier les paramètres du projet.



Le panneau **Informations de capture** permet de saisir les métadonnées de vos clips numérisés.

Emplacement des fichiers

Avant de commencer la numérisation d'un film, allez dans la section **Informations de capture** de la fenêtre **Scanner** pour vérifier que les fichiers numérisés sont bien sauvegardés dans le répertoire et le volume que vous voulez utiliser. Cliquez sur **Parcourir** et choisissez l'emplacement où vous souhaitez sauvegarder vos fichiers. Il est important de choisir l'emplacement au début du projet, car cette étape peut facilement être oubliée.

Capter

Lorsqu'un Cintel Audio and KeyCode Reader est installé, ce menu affiche les options **Audio uniquement** pour ne capturer aucune image, ou **Image et Son** pour capturer l'image et l'audio. Vous pouvez également sélectionner **Image uniquement** pour capturer seulement les images si l'audio n'est pas important.

Résolution

Ce champ n'est pas modifiable car la résolution des fichiers capturés dépend du format des films sources.

Codec

Le codec **Cintel Raw** est sélectionné par défaut par DaVinci Resolve pour une compression sans perte. Vous pouvez choisir l'option **Cintel Raw 3:1** pour obtenir des fichiers de taille encore plus réduite.

Fréquence d'images du film

Indique la fréquence d'images à laquelle le film a été tourné. DaVinci Resolve ajustera automatiquement la fréquence d'images de la timeline en fonction de ce réglage. Ce paramètre n'a rien à voir avec les vitesses de capture ou de transport.

Lorsque vous utilisez l'accessoire en option Audio and KeyCode Reader pour numériser de l'audio, le lecteur s'ajuste automatiquement afin que la fréquence d'images conserve une fréquence d'échantillonnage générale de 48kHz. Le signal de sortie timeline est supporté pour 16, 24, 25 et 30 im/s. Aucun signal de timecode n'est acheminé en sortie pour les autres fréquences d'images.

Préfixe du fichier

Le préfixe du fichier permet d'identifier le fichier numérisé. Vous pouvez lui donner le nom de votre projet, tel que le titre du film que vous numérisez.

Préfixe avec timecode

Cochez cette case pour ajouter un timecode au préfixe que vous avez choisi. Vos clips seront enregistrés dans des sous-dossiers indépendants dans le dossier de destination. Cette case est cochée par défaut.

Si vous souhaitez sauvegarder tous les clips dans un seul dossier de destination sans ajouter de timecode au nom du fichier, il suffit de décocher cette case.

REMARQUE Si vous n'ajoutez pas de timecode au préfixe et si les fichiers sont sauvegardés au même emplacement, ces derniers pourraient être écrasés.

Bobine/Carte, Numéro de la bobine, Numéro du plan et Nom du programme

Vous pouvez entrer des métadonnées dans ces paramètres pour identifier chaque clip.

Drapeaux

Vous pouvez utiliser les drapeaux de couleur pour taguer les clips.

Prise à tirer

Ce paramètre correspond à la métadonnée **Circle Take** dans la bibliothèque de médias.

Enregistrer le plan

Ce paramètre ajoute un plan à la bibliothèque de médias. Après avoir défini les points d'entrée et de sortie du film à numériser, confirmez que les métadonnées sont correctes, puis cliquez sur **Enregistrer le plan**. Pour plus d'informations, consultez les sections « Logging and Capturing Individual Clips » et « Logging and Capturing Multiple Clips » du manuel DaVinci Resolve.

Capture par lots, Plan de capture, Capturer maintenant et Capture d'écran

Ces boutons de numérisation offrent différentes méthodes pour capturer des clips. Pour plus d'informations sur les boutons de numérisation, consultez la section « Numériser une ou plusieurs sections du film » de ce manuel.

Workflows de numérisation de film

Les sections suivantes décrivent la façon de numériser un film à l'aide de DaVinci Resolve et comment contrôler le scanner Cintel. Les fonctionnalités décrites dans la section précédente seront présentées dans l'ordre des étapes à suivre pour numériser votre film.

Avant de commencer

Avant d'allumer le scanner et de charger le film, époussetez le couloir de film pour que le résultat soit aussi propre que possible. Vous pouvez utiliser de l'air comprimé, mais si le couloir est très sale, vous pouvez le retirer pour effectuer un nettoyage approfondi. Une fois cette étape effectuée, allumez le scanner Cintel, ouvrez DaVinci Resolve et créez le projet que vous utiliserez pour numériser le film. Cliquez ensuite sur le bouton **Scanner Cintel** dans la page Média, puis cliquez sur l'onglet **Scanner** pour l'ouvrir.

Avant de charger le film dans le scanner et avant toute autre opération, cliquez sur le bouton **Calibrer** en bas à gauche de la fenêtre du scanner. Bien qu'il faille toujours épousseter le couloir du scanner avant de charger une bobine de film, le bouton **Calibrer** permet d'éliminer les défauts qui apparaissent sur l'optique du scanner.

Charger et aligner le film

Chargez le film que vous souhaitez numériser. Dès que le scanner détecte une image, il l'aligne automatiquement. Veuillez noter que l'image peut être incorrectement alignée si vous chargez une amorce de début vide.

Choisissez ensuite le type de film. En cas de besoin, utilisez les boutons **Décaler la perf.** et **Image** pour aligner manuellement l'image avec le capteur du scanner. Le bas de l'image précédente et le haut de l'image suivante doivent être visibles en haut et en bas du viseur et l'image doit être centrée. Il est important de vous assurer que l'image qui apparaît dans le viseur n'est pas zoomée.

Régler la mise au point du scanner

Comme pour une caméra, il est important de régler la mise au point de l'image projetée sur le capteur du scanner. Pour parvenir à une mise au point parfaite, cochez la case **Aide à la mise au point** dans les paramètres d'acquisition de la fenêtre **Scanner**. Cela superpose le focus peaking sur l'image Ultra HD. Le focus peaking est alors affiché sur la sortie HDMI ainsi que dans la fenêtre de prévisualisation de DaVinci Resolve. Pour obtenir des résultats optimaux, connectez un écran Ultra HD au scanner Cintel afin de contrôler la mise au point de l'image en haute résolution.

Si l'aide à la mise au point est activée, le focus peaking détecte le grain du film lorsque l'image numérisée est parfaitement nette. Cela permet à l'opérateur de régler la mise au point du scanner même si l'image n'est pas nette. Vérifiez simplement la sortie Ultra HD pendant que vous tournez la molette de mise au point du scanner. Des contours verts s'affichent sur le grain de l'image quand l'image est nette.

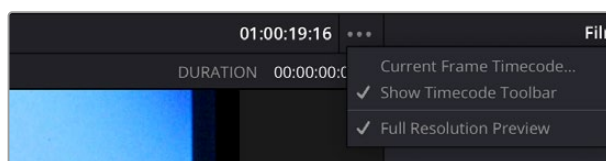
Vous pouvez vérifier les bords des perforations pour vous assurer que les réglages de la focale ont été correctement effectués. Lorsque ceux-ci sont nets, l'ensemble du film est net.

Réinitialiser le timecode

Pour régler le timecode de la bobine de film que vous allez numériser, vous devez repérer l'image zéro de la bobine. En général, on perfore un petit trou dans cette image pour disposer d'une référence lors de la numérisation. Si vous faites correspondre la première image du timecode avec l'image perforée, les numérisations de film suivantes conserveront le même nombre d'images, vous pourrez ainsi de nouveau scanner et conformer ce film.

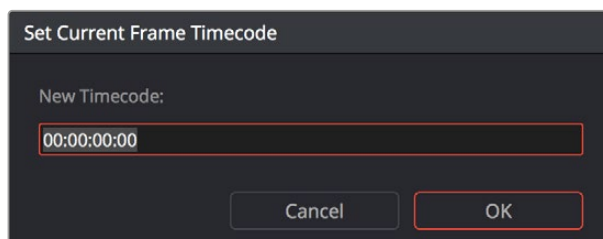
Pour réinitialiser le timecode numérisé sur l'image perforée d'une nouvelle bobine de film :

- 1 Utilisez les commandes de transport situées sous le viewer pour localiser l'image perforée.
- 2 Cliquez sur les options d'affichage et choisissez **Timecode de l'image sélectionnée**.



Sélectionnez **Timecode de l'image sélectionnée** dans les options d'affichage

- 3 Saisissez une valeur pour le timecode dans la boîte de dialogue. Par exemple, si vous numérisiez la première bobine d'un projet, vous pouvez saisir 01:00:00:00.



Boîte de dialogue **Régler le timecode de l'image sélectionnée**

- 4 Lorsque vous avez fini, cliquez sur OK.

Le timecode ne peut pas être négatif, ne réglez donc pas la première image sur zéro. Une autre technique couramment utilisée consiste à modifier le chiffre représentant l'heure lorsque vous changez de bobine, et de le faire coïncider avec le numéro de la bobine. Vous pourrez ainsi facilement identifier la bobine correspondant au clip numérisé.

Le scanner Cintel possède deux interfaces qui permettront d'ajouter du matériel en option dans le futur. Vous pourrez ainsi ajouter des fonctions optionnelles telles que la lecture du KeyCode depuis des négatifs, ou de l'audio optique et magnétique. Pour plus d'informations, consultez la section « Audio and KeyCode Reader en option » de ce manuel.

Choisir un emplacement pour sauvegarder les images numérisées

Une fois ces opérations effectuées, sélectionnez **Informations de capture** dans la fenêtre **Scanner** de DaVinci Resolve, puis cliquez sur le bouton **Parcourir** pour choisir un emplacement pour les images numérisées. Vous pouvez utiliser les autres champs de cette section pour régler le préfixe que vous souhaitez ajouter au nom des fichiers numérisés et aux dossiers. Le paramètre **Préfixe du fichier** met à jour le titre affiché en haut de l'en-tête. L'en-tête affiche également le chemin du fichier, la résolution, la fréquence d'images, la durée et le format. Choisissez la galette, la bobine, le clip et les informations que vous souhaitez associer aux médias numérisés. La case **Préfixe avec timecode** de la fenêtre **Informations de capture** est cochée par défaut. Cette fonction permet de sauvegarder les clips dans des sous-dossiers indépendants au sein du dossier de destination. Le nom de fichier contiendra en outre un préfixe indiquant le timecode.

Si vous souhaitez sauvegarder tous les clips dans un seul dossier de destination, il suffit de décocher cette case.

Lorsque vous capturez un clip HDR, le scanner augmente le niveau d'exposition et sauvegarde le résultat dans un dossier caché nommé `.HDR`, dans le même dossier que la numérisation normale. Si le dossier `.HDR` est supprimé, ces images sont transformées en un clip normal lorsque vous rafraîchissez le fichier dans le support de stockage et que vous le ré-importez dans la bibliothèque de médias. Cette solution est utile si vous rencontrez un problème avec la partie HDR de la numérisation, car vous pouvez facilement la convertir en un clip CRI normal.

Vérifier le codec

DaVinci Resolve sélectionne par défaut le codec **Cintel Raw**, mais vous pouvez choisir **Cintel Raw 3:1**.

Format Cintel Raw

La matrice de Bayer de chaque image numérisée par le capteur Cintel est sauvegardée avec des métadonnées, sous forme de séquence d'images au format Cintel Raw Image (CRI) linéaire 12 bits. Lorsque vous étalonnez vos images sur DaVinci Resolve, les images CRI sont automatiquement dématricées sous forme de données d'images log encodées 12 bits.

L'encodage logarithmique est comparable, mais pas identique, à l'encodage Cineon. Par exemple, un négatif est encodé en densité Gamma 2,046, alors que les tirages sont encodés avec l'intégralité de la courbe Gamma 2.2 pour éviter l'écrêtage des données. Ces deux encodages logarithmiques peuvent être convertis en espace colorimétrique linéaire à l'aide d'une LUT 1D **Cintel to Linear**, pour être ensuite convertis en un espace colorimétrique avec lequel vous souhaitez travailler.

Lorsque le film est numérisé, le capteur 4096x3072 est ouvert au maximum. Cela permet de garder la forme d'onde audio et les perforations visibles pour l'audio optique et pour la stabilisation d'image, respectivement. L'image est ensuite rognée. La résolution des fichiers capturés dépend du format du film source une fois que la numérisation des performances et de la partie audio est supprimée. Pour plus d'informations concernant les résolutions de numérisation en fonction du format des films, consultez la section « Spécifications » de ce manuel.

Par défaut, le scanner Cintel crée des fichiers Raw Cintel avec une compression sans perte à débit binaire variable. Selon le contenu de l'image, cette compression sans perte offre approximativement une réduction de taille de fichier de 3:2. Toutefois, le Cintel Raw 3:1 utilise une compression avec perte avec un ratio approximatif de 3:1. C'est une compression de très bonne qualité, toutefois, visuellement, elle ne sera pas toujours sans perte. Par exemple, les fichiers pour le film 35mm à 4 perf font environ 12,5MB au format Cintel Raw et environ 6,3MB au format Cintel Raw 3:1. Les fichiers pour le film 16mm font environ 4MB au format Cintel Raw et environ 2MB au format Cintel Raw 3:1.

Paramètres Qualité pour le format CinemaDNG

Pour vérifier la qualité des fichiers CRI, utilisez les paramètres **Qualité de dématricage** et **Profil RAW CinemaDNG** situés dans la palette Caméra RAW de la fenêtre **Paramètres du projet**. Par défaut, ces paramètres sont réglés sur **Pleine rés.**. Sur un ordinateur au processeur peu puissant ou à faible mémoire, ces réglages peuvent être réduits, mais cela affectera la qualité du rendu final.

Régler la résolution de la timeline

DaVinci Resolve affiche et effectue le rendu depuis le scanner à la même résolution que celle de la timeline. Par exemple, pour un film 35mm à 4 perforations, une résolution de 4096x3072 est nécessaire pour une résolution maximale.

REMARQUE Si votre timeline est réglée pour le HDR, mais que vous souhaitez exporter en Ultra HD, une perte de résolution peut avoir lieu.

Pour plus d'informations sur les résolutions des zones rognées de l'image pour chaque format de film, veuillez consulter le paragraphe « Résolutions effectives » de la section « Spécifications ». Pour connaître la pleine résolution native du clip capturé, vous pouvez également cliquer sur **Attributs des plans** dans DaVinci Resolve.

Ajuster la couleur du scanner

La fenêtre **Scanner** de DaVinci Resolve vous permet de contrôler l'exposition et la température de couleur de la lumière utilisée pour éclairer le film lors de la numérisation. Vous pouvez modifier ces paramètres à l'aide de la roue maîtresse et des commandes RVB de la section **Source lumineuse** afin de maximiser la quantité d'informations extraite de chaque image, tout en empêchant un écrêtage irrémédiable d'une zone de l'image. Bien que le CRI soit un format d'image RAW, la latitude ne va pas au-delà des données internes offertes par DaVinci. Cela signifie que si certaines données sont écrêtées au sein des scopes vidéo lors de la numérisation, elles seront certainement écrêtées de façon permanente sur les médias numérisés.

La fréquence d'ajustement de la couleur et de l'exposition des séquences numérisées dépend de la variété des scènes sur la bobine. Par exemple, certaines bobines contiennent de nombreuses prises d'une même scène, qui possèdent toutes la même luminosité et peuvent donc être réglées de la même façon.

En revanche, d'autres bobines regroupent des scènes dont la luminosité varie considérablement. Dans ce cas-là, vous devrez modifier individuellement chaque clip numérisé afin d'obtenir les meilleures données possible.

Ces réglages sont importants, car la roue maîtresse et les commandes RVB de la section **Source lumineuse** ne peuvent pas être automatiquement modifiés si vous travaillez en workflow Log et Capturer. Ainsi, les paramètres de la source de lumière en cours seront appliqués à tous les clips numérisés, même à ceux qui proviennent de différentes parties de la bobine, et cela, jusqu'à ce qu'ils soient à nouveau modifiés manuellement. Le workflow Log et Capturer est donc uniquement conseillé lorsque vous indexez plusieurs clips qui possèdent les mêmes paramètres de roue maîtresse et RVB au sein de la section **Source lumineuse**.

Dans tous les autres cas, nous vous recommandons d'ajuster la luminosité de chaque clip individuellement, au fur et à mesure de la numérisation, afin d'obtenir une qualité d'image maximale pour les travaux de postproduction. Lorsque vous ajustez ces paramètres, le but est d'obtenir le meilleur résultat possible lors de la numérisation, et non pas de créer le rendu final des clips. Cette étape sera effectuée durant la phase d'étalonnage sur la page **Étalonnage**.

Pour ajuster les paramètres de la source de lumière, utilisez une image de référence dans la section de la bobine ou la première série de plans que vous allez numériser, et ajustez la source de lumière tout en visualisant les scopes vidéo intégrés.

Ajustez la roue maîtresse de la section **Source lumineuse** afin de régler l'intensité de la source de lumière utilisée pour éclairer le film. Ce paramètre augmente et diminue simultanément le niveau des canaux R, V, B. Pour un négatif standard, cela vous permet d'ajuster le point noir de l'image. Sur le négatif, la zone la plus sombre de l'image correspond aux hautes lumières de l'image. Réglez la roue maîtresse de la section **Source lumineuse** juste au-dessus de la valeur Dmin standard de 95, mesurée sur l'histogramme. Cela permet de garantir que les hautes lumières ne soient pas écrêtées par la conversion Cineon LOG utilisée par DaVinci pour débayeriser l'image CRI en vue de l'étalonnage. Pour le film positif, ajustez manuellement les niveaux de la source de lumière afin qu'aucune zone des hautes et des basses lumières du signal ne soit écrêtée. Habituellement 1000 en 10 bits ou 4000 en 12 bits.

Vous pouvez activer la fonction **Afficher niveaux de réf.** dans les scopes Oscilloscope, Parade RVB ou Histogramme et régler le paramètre **Low** sur 95 pour indiquer la valeur Dmin.

Une fois cette opération terminée, ajustez les commandes RVB pour rééquilibrer ces trois canaux de couleur et ainsi modifier la température de couleur de la source de lumière utilisée pour éclairer le film. Cela permet de produire une balance des couleurs neutre après la numérisation.

Numériser une ou plusieurs sections du film

Après avoir ajusté la source de lumière, il est judicieux de saisir toutes les métadonnées pertinentes dans l'éditeur de métadonnées au fur et à mesure que vous numérisez les clips. Les champs de métadonnées situés dans la fenêtre **Informations de capture** contiennent des informations permettant de définir le préfixe de fichier, la galette, le numéro de bobine, le numéro de clip, le nom du programme et les drapeaux, mais aussi d'indiquer si la prise est bonne. Si vous remplissez ces champs avant de numériser un clip, les métadonnées seront saisies directement sur le clip.

En bas de la fenêtre **Informations de capture**, vous trouverez quatre boutons pour la numérisation.

Une fois ces opérations terminées, vous pouvez numériser le film en utilisant une de ces quatre fonctions :

Capturer maintenant

Utilisez ce paramètre pour capturer de longues sections d'une bobine en une fois. Lorsque vous cliquez sur **Capturer maintenant**, la numérisation commence près de l'image sélectionnée, et se termine lorsque vous cliquez sur le bouton d'arrêt.

Si l'option **Activer la numérisation de 2 passes HDR** est sélectionnée, cliquez sur **Capturer HDR** une fois l'acquisition commencée pour informer DaVinci Resolve que vous avez atteint la fin du clip, et qu'il peut procéder à la numérisation HDR. Si vous numérisez la totalité de la bobine sans cliquer sur **Capturer HDR**, le scanner procédera automatiquement à la numérisation HDR du début à la fin de la bobine.

Plan de capture

Offre une façon plus précise de numériser des sections spécifiques du film. Après avoir défini une section du film à l'aide des commandes de transport et des boutons représentant les points d'entrée et de sortie, cliquez sur **Plan de capture** pour numériser uniquement le clip en question.

Lorsque l'option **Activer la numérisation de 2 passes HDR** est sélectionnée, la numérisation HDR utilise les mêmes points d'entrée et de sortie que la numérisation initiale.

Capture par lots

Vous pouvez indexer plusieurs clips avant de les numériser avec les paramètres de source de lumière en cours dans la fenêtre du scanner de DaVinci Resolve. Indexez chaque clip à l'avance en réglant les points d'entrée et de sortie de chaque section du film que vous souhaitez numériser, puis cliquez sur le bouton **Enregistrer le plan** pour sauvegarder la section en tant que clip non numérisé dans la bibliothèque de médias. Lorsque vous cliquez sur **Capture par lots**, tous les clips non numérisés seront scannés les uns après les autres jusqu'à la fin de la liste. Vous pouvez également sélectionner un ou plusieurs clips non numérisés, et ne scanner que les clips sélectionnés. De plus, il est possible d'importer une EDL qui correspond à une bobine particulière, et d'utiliser les clips indexés pour la numérisation.

REMARQUE Lorsque vous cliquez sur le bouton **Enregistrer le plan**, le scanner Cintel applique les réglages du projet à tous les clips du lot et il utilise les derniers réglages du projet au moment de la capture. Nous vous conseillons de confirmer les réglages du scanner avant de commencer la capture par lots.

Lorsque l'option **Activer la numérisation de 2 passes HDR** est sélectionnée, la numérisation HDR utilise les mêmes points d'entrée et de sortie que les numérisations initiales du lot.

Pour plus d'informations sur les workflows de capture par lots, consultez le chapitre « Ingesting From Tape » du manuel DaVinci Resolve.

Capture d'écran

Capture une seule image à un niveau d'exposition normal avec les réglages du scanner actuels.

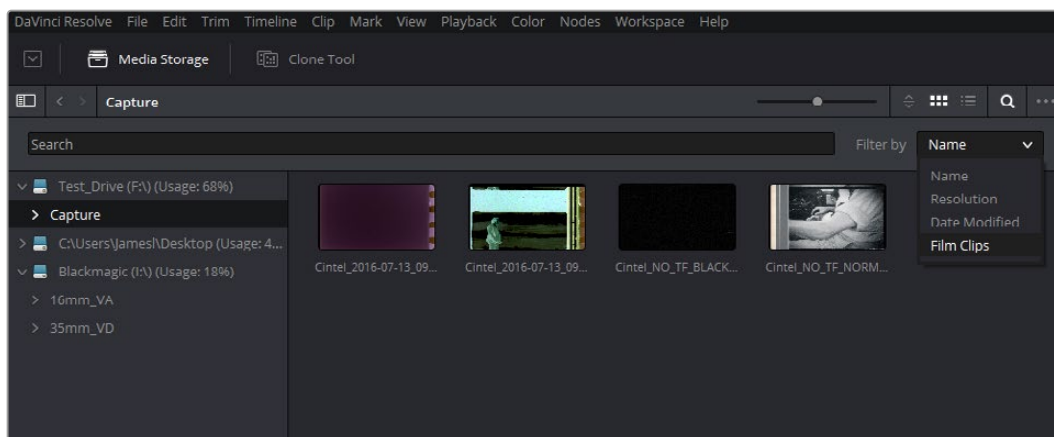
Lors de la numérisation, si DaVinci Resolve détecte que la bande passante est trop faible pour capturer des images à la vitesse sélectionnée, la vitesse de numérisation s'ajustera automatiquement pour garantir une capture réussie. Si vous utilisez l'accessoire en option Audio and KeyCode Reader, la fréquence d'échantillonnage audio sera également ajustée pour conserver la qualité audio choisie.

Extraire l'audio

Si le film que vous numérisez contient une piste audio optique, vous pouvez extraire l'audio de manière indépendante. Lorsque vous extrayez l'audio, DaVinci aligne automatiquement l'audio avec la vidéo en respectant un décalage de 26 images pour le film 16mm et de 21 images pour le film 35mm. Sélectionnez tous les clips qui possèdent une piste audio optique, puis cliquez avec le bouton droit sur un des clips sélectionnés et choisissez **Extraire l'audio**. Resolve analyse la zone de chevauchement de la piste optique pour chaque image et génère automatiquement une piste audio correspondante, synchronisée avec la séquence d'images numérisée.

L'audio de chaque clip sera automatiquement extrait, intégré au clip et sauvegardé dans le même répertoire que les images numérisées. Une petite icône apparaîtra au coin de la vignette du clip pour vous indiquer qu'il existe un fichier audio correspondant.

Afin de faciliter l'extraction, vous pouvez filtrer les clips de l'espace de stockage par nom, résolution, date de modification, ou par clip ne contenant que de la vidéo. En filtrant vos clips, vous pourrez trouver et sélectionner plus facilement ce dont vous avez besoin. Il est également possible de sélectionner plusieurs clips et d'en extraire l'audio simultanément en cliquant avec le bouton droit sur la sélection et en choisissant **Extraire l'audio** dans le menu. Durant l'extraction de l'audio, une fenêtre apparaît pour indiquer sa progression. Vous pouvez arrêter l'extraction à tout moment en cliquant sur le bouton d'arrêt.



Vous pouvez filtrer le contenu de l'Espace de stockage pour mieux organiser les clips

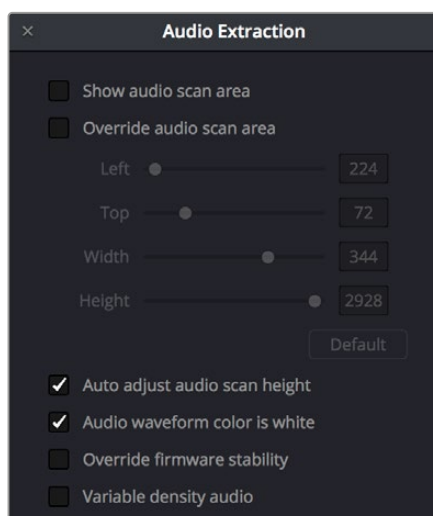
Si la case **Préfixe avec timecode** était décochée dans la section **Informations de capture** lors de la numérisation, et que vous souhaitez extraire automatiquement l'audio intégré aux clips, rappelez-vous de toujours extraire l'audio des clips situés dans la bibliothèque de médias.

Paramètres de l'extraction audio

En général, une fois le type de film sélectionné, les fonctions automatiques de DaVinci Resolve extraient l'audio optique parfaitement. Toutefois, l'état de la piste optique peut varier selon l'état du film en cours de chargement. Dans certains cas, cela peut causer des problèmes d'automatisation. Le cas échéant, il est possible de désactiver les fonctions automatiques et d'apporter des modifications manuellement.



Pour ce faire, il suffit d'ouvrir la fenêtre de paramétrage **Audio Extraction** en cliquant sur l'option **Show Cintel Audio Settings** dans l'inspecteur situé en haut à droite du viewer



Les paramètres de l'extraction audio vous permettent d'apporter d'éventuelles modifications manuelles

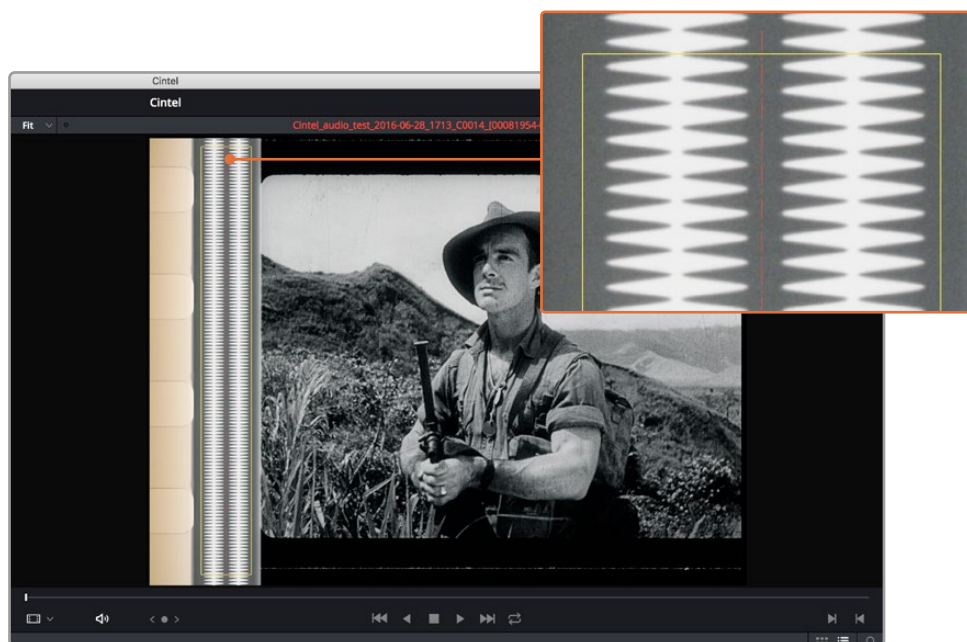
Les paramètres de l'extraction audio vous permettent d'apporter les modifications manuelles suivantes :

Afficher les repères audio

Cette case permet d'activer ou de désactiver les repères indiquant la zone de numérisation audio. Ces repères forment un cadre qui est affiché à côté de l'image correspondant à la zone de numérisation audio optique. Ils indiquent les informations optiques qui seront utilisées durant l'extraction. La position de ces repères correspond au type de film sélectionné. Vous pouvez

toutefois changer manuellement leur position. Ces repères vous permettent également de voir ce qui se passe durant le processus d'extraction. Vous pourrez ainsi identifier les problèmes et apporter des modifications manuellement.

CONSEIL Si vous souhaitez voir les repères indiquant la zone de numérisation audio de plus près, vous pouvez zoomer dans le viewer et le déplacer vers le haut, vers le bas, vers la gauche ou vers la droite. Il suffit de choisir la quantité de zoom souhaitée dans les options de redimensionnement situées dans le coin gauche du moniteur, puis de cliquer sur le viewer et de le déplacer avec la souris ou le pavé tactile.



Lorsque le paramètre **Afficher les repères audio** est activé, les repères de la zone audio s'affichent. Vous pouvez ainsi voir exactement quelles informations sont utilisées et contrôler le processus d'extraction

Écraser les repères audio

Ce paramètre contient des curseurs permettant d'ajuster la position horizontale et verticale, mais aussi la largeur et la hauteur des repères indiquant la zone de numérisation audio.

Ces paramètres sont les suivants :

Gauche et Largeur

Si le type de film choisi fait apparaître l'audio sur le côté droit de l'image, il suffit d'ajuster le curseur **Gauche** pour déplacer l'encadré vers la droite. En général, cette opération s'effectue automatiquement si le type de film correspondant est sélectionné. Toutefois, ce paramètre vous offre plus de flexibilité. De la même façon, l'option **Largeur** permet d'ajuster la largeur de la zone de numérisation.

Ce sont des outils utiles pour apporter de légères modifications aux bordures latérales du cadre, lorsque la zone audio optique du film contient des éléments indésirables. Ces éléments, qui apparaissent notamment lorsque les perforations sont endommagées ou que la qualité du tirage est moindre, peuvent affecter la qualité de l'extraction audio. Vous pouvez éviter cela en déplaçant légèrement les bordures latérales afin de positionner ces éléments à l'extérieur du cadre.

Haut

Ce paramètre ajuste la position verticale du cadre.

Hauteur

Parfois, les images des galettes plus anciennes sont un peu plus petites que la normale, car le film a rétréci avec le temps. Vous pouvez ajuster manuellement la hauteur du cadre à l'aide du curseur **Hauteur** pour pallier ce problème.

Réglage automatique de la hauteur des repères audio

Ce paramètre est activé par défaut. Il ajuste automatiquement la hauteur du cadre afin qu'il s'aligne avec la forme d'onde audio en haut de chaque image. Cette fonction automatique fonctionne bien avec l'audio standard. Cependant, si durant l'extraction vous voyez que l'encadré bouge de manière inattendue, et que la qualité de l'extraction s'en trouve affectée, il se peut que certaines caractéristiques de la piste audio se chevauchent entre les images. Le cas échéant, décochez la case et recommencez l'extraction.

Si vous décochez la case **Réglage automatique de la hauteur des repères audio**, assurez-vous que le paramètre **Hauteur** positionne le cadre à l'emplacement optimal pour l'image. Parfois, il est pratique d'effectuer des ajustements manuels. Toutefois, n'oubliez pas de réactiver les fonctions automatiques après avoir apporté vos modifications !

La couleur de la forme d'onde audio est blanche

Selon le type de film numérisé, la forme d'onde audio est noire ou blanche. Si la forme d'onde est blanche, vérifiez que la case correspondante est activée. Ainsi, les informations affichées en blanc dans la forme d'onde seront utilisées durant l'extraction audio. Si la forme d'onde est noire et que la zone audio qui l'entoure est blanche, décochez cette case afin que DaVinci utilise les informations noires de la forme d'onde. Les autres fonctions automatiques, telles que la ligne séparant les canaux stéréo et la détection d'un canal mono, dépendent du réglage approprié de ce paramètre.

Ignorer la stabilité du firmware

Dans de rares cas, l'état du film peut provoquer de grands mouvements de l'image en raison de la stabilisation interne du firmware. Cela peut désaligner les repères de l'extraction audio et la piste optique. Le cas échéant, vous pouvez activer le paramètre **Ignorer la stabilité du firmware** afin que les repères de l'extraction audio suivent les perforations du film de façon indépendante et ajustent leur positionnement pour obtenir de meilleurs résultats.

Audio de densité variable

Si votre film contient de l'audio à densité variable, cochez la case de sélection **Audio de densité variable** afin que DaVinci Resolve sache quel type d'audio il faut extraire. Par défaut, ce paramètre est désactivé pour les pistes audio de densité fixe.

Si vous n'avez jamais utilisé d'audio de densité variable, celui-ci ressemble à une séquence de lignes ombrées très proches les unes des autres, comme un code barres dont les lignes seraient très serrées. En revanche, les pistes audio de densité fixe s'affichent sous forme de forme d'onde audio.

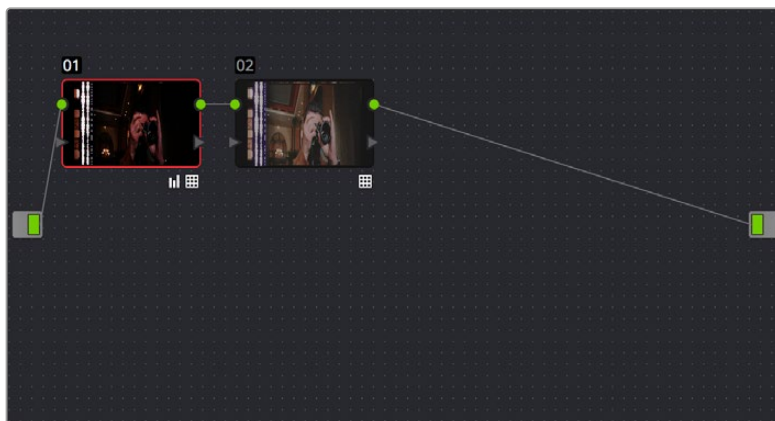
Espace de couleurs et redimensionnement

Deux LUTs 1D appelées **Cintel Negative to Linear** et **Cintel Print to Linear** sont fournies pour vous permettre de convertir des médias numérisés dans un espace de couleurs avec lequel vous pouvez travailler. Vous pouvez appliquer ces LUTs via un nœud dans la page **Étalonnage** afin de convertir les fichiers scannés originaux dans un espace de couleurs linéaire. Cependant, si vous voulez convertir l'image en Rec.709 ou Cineon pour apporter d'autres modifications, vous devrez appliquer une deuxième LUT dans un deuxième nœud. Par défaut, les tirages sont encodés avec la courbe Gamma 2.2, et tous les autres types de film en densité Gamma 2,046.

En général, avec le film négatif, il est préférable d'inverser les couleurs après avoir appliqué la deuxième LUT. De plus, il est en général nécessaire d'étalonner les données linéaires afin de supprimer les décalages de noir dus au Dmin, et obtenir une conversion impeccable dans l'espace de couleurs souhaité. Les LUTs VFX IO disponibles dans le sous-menu 3D LUT du menu contextuel

de chaque nœud vous permettent de convertir une image d'un espace de couleurs linéaire à un autre espace de couleurs.

Pour plus d'informations, consultez la section du manuel DaVinci Resolve « Applying a LUT within a Node », dans le chapitre « Using LUTs ».

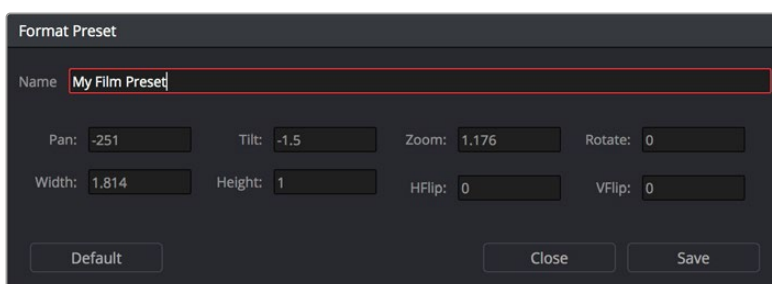


Utilisation de trois nœuds pour convertir une numérisation de film à l'aide de LUTs. Le premier nœud effectue une conversion de Negative ou Print vers Linear, le deuxième nœud de Linear vers Rec.709 et le troisième peut inverser la couleur

Si vous appliquez une LUT à un nœud, les données de l'image qui se situent au-dessous de 0 et au-dessus de 1 seront écrêtées. Afin d'éviter cela, vous pouvez utiliser les commandes Lift/Gamma/Gain dans le nœud auquel la LUT a été appliquée pour ajuster les niveaux de l'image avant la transformation effectuée par la LUT.

Le format du film que vous numérisez et la manière dont l'image a été filmée influent sur le cadrage. Vous pouvez ajuster le cadrage du plan scanné en redimensionnant, zoomant, étirant et déplaçant l'image horizontalement et verticalement. Sur la page **Étalonnage**, ouvrez la palette **Échelle** et utilisez le mode **Échelle Source** pour créer le cadrage voulu. Pour sauvegarder vos préférences comme préréglage, ouvrez le menu et sélectionnez **Enregistrer comme nouveau préréglage**.

Une fois le préréglage créé, vous pouvez l'appliquer simultanément sur plusieurs fichiers numérisés dans la page **Étalonnage** ou dans la bibliothèque de médias à l'aide de la commande **Modifier l'échelle Source prédéfinie**. Cette commande se trouve dans le menu contextuel des clips sélectionnés. Pour plus d'informations, consultez le chapitre « Sizing and image stabilisation » du manuel DaVinci Resolve.

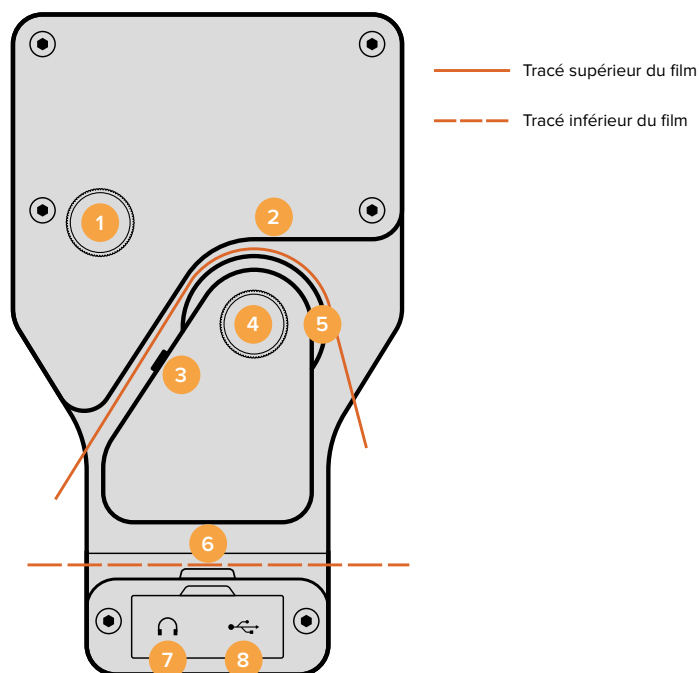


Créer un préréglage de redimensionnement dans la palette Échelle de la page Étalonnage

Audio and KeyKode Reader en option

L'accessoire en option Audio and KeyKode Reader augmente les capacités du scanner Cintel, car il permet de capturer les bandes sonores optiques et magnétiques pour le 16mm et le 35mm. Les bandes sonores peuvent être capturées à différentes vitesses, plus lentement ou plus rapidement que le temps réel. Il permet également de numériser les informations du KeyKode concernant la position de l'image sur la bobine et la pellicule utilisée.

Cet accessoire possède les composants suivants :



1. Molette d'alignement pour l'audio optique 2. Tête pour l'audio magnétique
3. Scanner pour l'audio optique 4. Molette pour le nettoyage du contre-cabestan
5. Contre-cabestan 6. Scanner de KeyKode 7. Port pour le casque 8. Port USB pour le firmware

En chargeant le film dans la partie supérieure du lecteur, vous pouvez extraire les bandes sonores optiques et magnétiques du film.

Lorsque le film est chargé dans la partie inférieure du lecteur, vous pouvez capturer les informations du KeyKode. Les données du KeyKode sont situées près des perforations sur certains négatifs. Elles fournissent des informations sur la position des images sur la bobine, des informations qui permettent d'identifier la pellicule et des informations supplémentaires telles que le type de pellicule. Les informations numérisées sont enregistrées en tant que métadonnées au sein de chaque image Raw du Cintel.

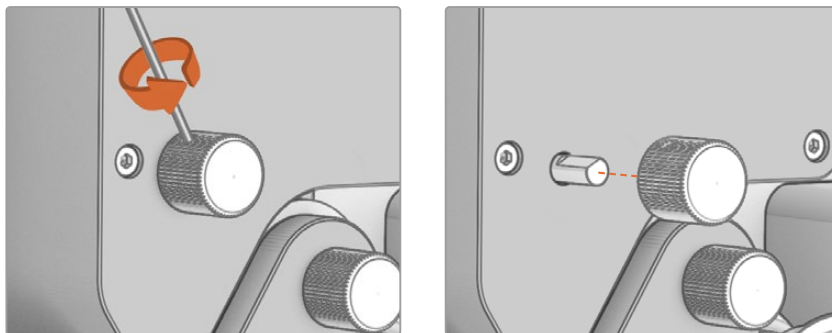
CONSEIL Le scanner Cintel peut capturer la bande sonore optique même lorsque l'Audio and KeyKode Reader n'est pas installé. Pour ce faire, il suffit d'utiliser la fonction d'extraction audio de la fenêtre Film Scanner de DaVinci Resolve après avoir numérisé le film. Pour plus d'informations à ce sujet, consultez la section « Extraire l'audio » de ce manuel.

Installer l'Audio and KeyCode Reader

Le Reader est alimenté par l'interface gauche pour matériel en option du scanner, qui est un connecteur XLR à 6 broches situé au-dessous de la bobine débitrice.

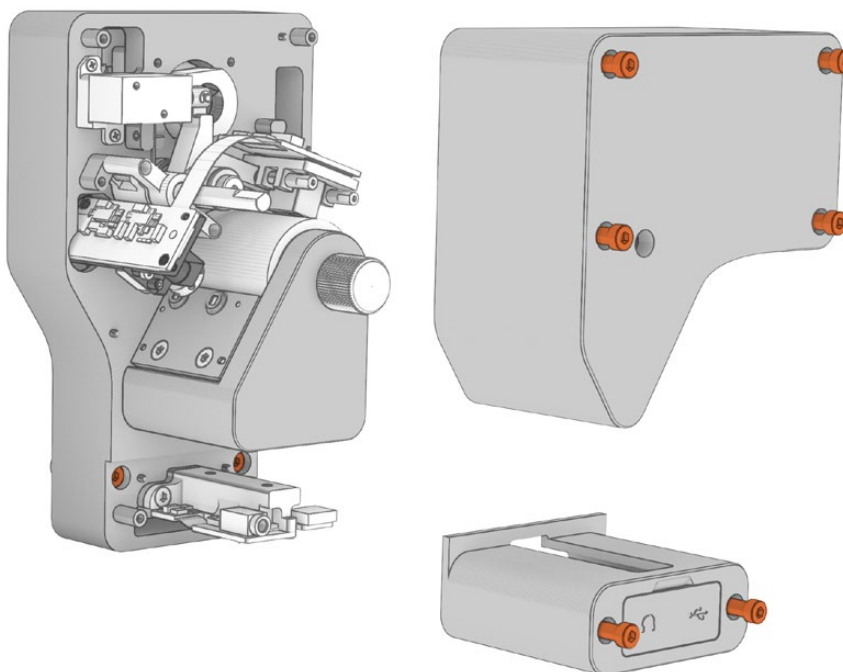
Installer l'Audio and KeyCode Reader sur le scanner Cintel :

- 1 Pour commencer, veillez à ce que l'alimentation du scanner Cintel soit débranchée.
- 2 Vous trouverez une petite vis encastrée sur le côté de la molette située dans la partie supérieure du Reader. Dévissez-la à l'aide d'une clé hexagonale de 1,5mm, puis retirez la molette de son axe. Vous pouvez maintenant retirer le couvercle supérieur du Reader.



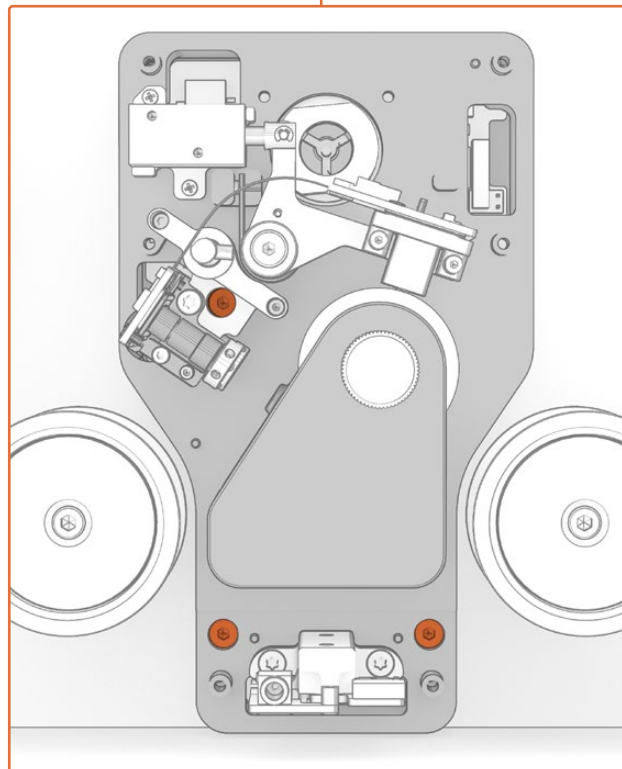
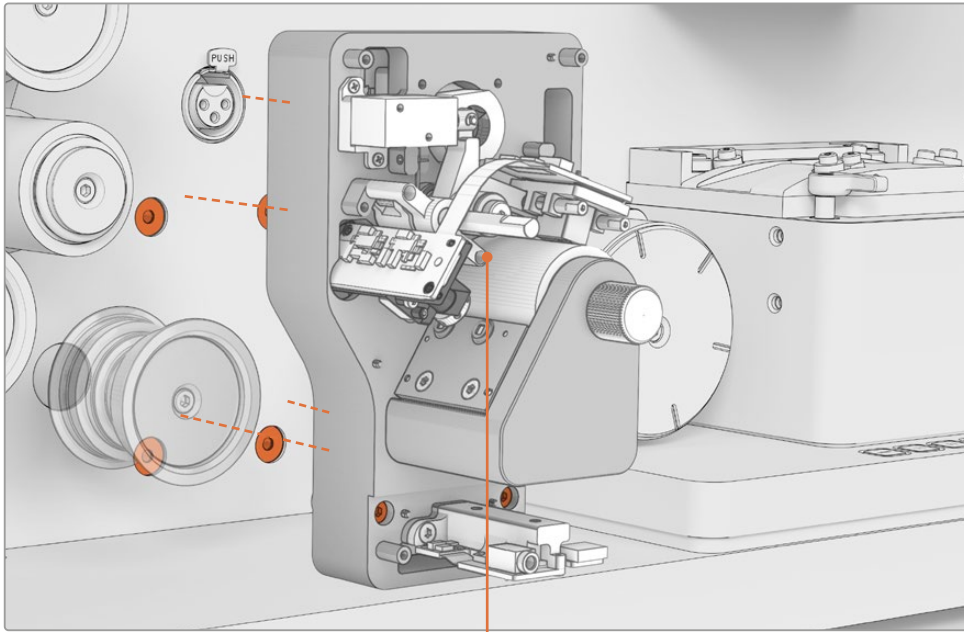
Dévissez la vis située sur la molette à l'aide d'une clé hexagonale de 1,5mm, puis retirez la molette de son axe.

- 3 Retirez les couvercles supérieurs et inférieurs de l'Audio and KeyCode Reader en dévissant les 6 vis M3 à l'aide d'une clé hexagonale de 2,5mm. Comme les vis sont « captives », elles restent attachées au lecteur. En retirant les couvercles, vous pourrez accéder aux vis captives permettant de fixer le lecteur au scanner Cintel.



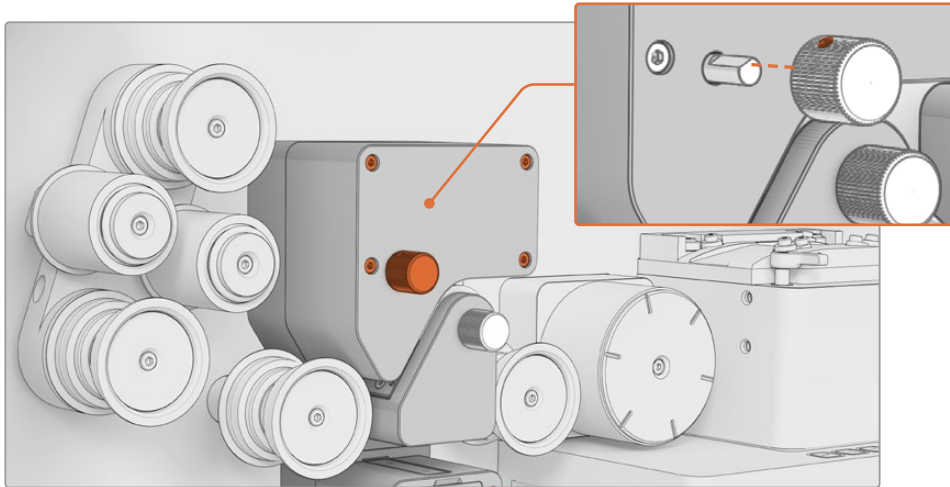
Retirez les couvercles supérieurs et inférieurs du lecteur en dévissant les 6 vis M3. Comme ces vis sont captives, il faudra uniquement les dévisser de quelques tours jusqu'à ce qu'elles se détachent, comme illustré dans l'image ci-dessus.

- 4 Retirez les quatre protections pour vis M4 de votre scanner Cintel à l'aide d'une clé hexagonale de 2mm. Les vis à dévisser sont la vis supérieure gauche, et les deux vis inférieures situées au-dessous de l'interface gauche pour matériel en option.
- 5 Installez le lecteur sur le scanner en branchant son connecteur XLR mâle au connecteur XLR femelle de l'interface gauche pour matériel en option du scanner.
- 6 Fixez le lecteur Audio and KeyCode Reader au scanner à l'aide de 3 vis M3 captives. Veillez à ce qu'il soit correctement positionné avant de serrer les vis.



Branchez le lecteur au connecteur XLR de l'interface gauche pour matériel en option et fixez-le au scanner à l'aide des trois vis M3 captives

- 7 Remettez le couvercle de l'Audio and KeyKode Reader en place et serrez les vis. Remettez la molette supérieure en place et serrez légèrement la vis sur le côté plat de l'axe.



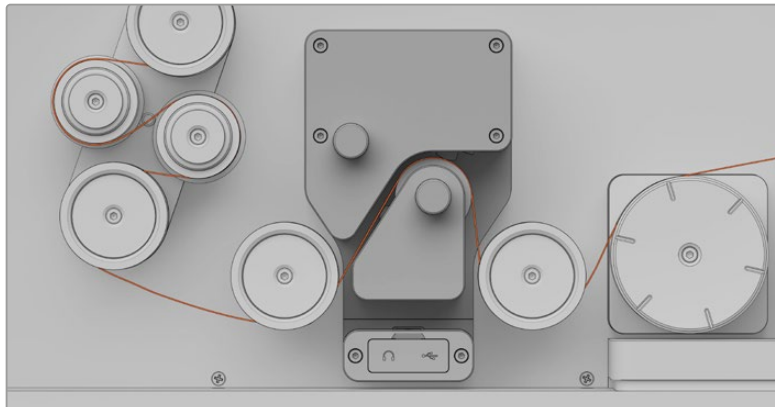
Remettez le couvercle du lecteur en place en serrant les six vis M3 captives, puis remettez la molette en place en serrant la vis contre le côté plat de l'axe

Lire de l'audio

Une fois l'Audio and KeyKode Reader installé, le scanner peut enregistrer de l'audio optique à partir de film 35 et 16mm et de l'audio magnétique à partir de film 16mm.

Charger le film

Pour commencer à enregistrer des informations audio en temps réel, il faut d'abord charger le film sur le tracé de chargement audio du lecteur. Le tracé de chargement approprié est illustré ci-dessous.



Chargez le film dans la partie supérieure de l'Audio and KeyKode Reader pour lire l'audio.

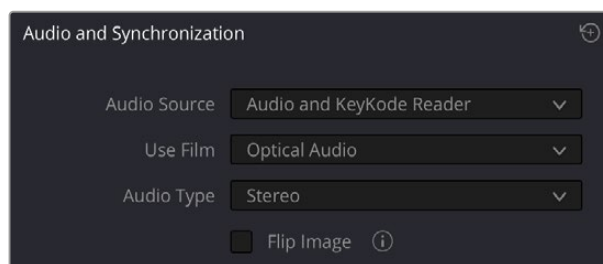
REMARQUE Lorsque vous numérisez de l'audio optique, faites bien attention à la position des LED 16mm et 35mm. La LED 35mm est plus proche du châssis de Cintel, et la LED 16mm plus éloignée.

CONSEIL Lorsque le film est chargé sur le tracé audio du lecteur, DaVinci Resolve enregistre automatiquement l'audio et l'ajoute à vos clips. En revanche, s'il est chargé sur le tracé inférieur, l'audio ne sera pas enregistré.

Régler le lecteur pour la numérisation audio

Une fois le film chargé, allez dans la fenêtre Scanner de DaVinci Resolve et réglez les paramètres **Utiliser le film** et **Type audio** dans le volet **Lecteur audio et keycode**. L'option que vous choisissez dans le menu **Source audio** modifiera les options disponibles dans les menus **Utiliser le film** et **Type audio**.

Ces paramètres permettent de choisir la fonction utilisée par le lecteur. Vous pouvez, entre autres, choisir de numériser les informations du KeyCode ou de régler le lecteur sur différents types d'audio, par exemple audio optique ou magnétique.



La palette Audio and KeyCode Reader de la fenêtre Scanner de DaVinci Resolve vous permet de modifier les options du paramètre **Utiliser le film** entre numérisation du KeyCode ou numérisation de l'audio.

CONSEIL Les options disponibles varient selon le type de film chargé. Par exemple, l'audio magnétique est disponible lorsque le type de film est réglé sur 16mm dans la fenêtre Scanner de DaVinci Resolve.

Source audio

Sélectionnez la source audio pour accompagner les images que vous numérisez.

Aucune

Aucune piste audio. Options pour **Utiliser le film** et **Type audio** indisponibles.

Audio and KeyCode Reader

Lisez de l'audio optique ou magnétique depuis le film avec le KeyCode Reader.

Audio externe

Sélectionnez cette option pour accepter de l'audio analogique ou de l'audio numérique AES/EBU via les ports audio XLR externes.

Utiliser le film

Utilisez ce paramètre pour choisir les fonctions de lecture KeyCode ou audio de l'appareil. Pour plus d'informations sur la lecture des données de KeyCode, consultez la section « Lire le KeyCode » de ce manuel.

Les paramètres du lecteur audio comprennent :

Audio optique

Choisissez ce paramètre si vous souhaitez numériser de l'audio provenant d'une piste audio optique.

Il est possible de déterminer si la piste audio est optique en regardant le film. Si vous numérisiez un film 35mm ou 16mm et que vous voyez une forme d'onde continue ou une longue série de stries rapprochées sur un côté, votre film possède une bande sonore optique.

Réduire la piste audio optique

Lorsque vous numérisiez de l'audio optique, il se peut que la bande sonore optique du film soit plus petite que la zone numérisée par l'Audio and KeyCode Reader en raison d'un retrait du film et des variables inhérentes au tirage. Par conséquent, il arrive que le lecteur audio numérise les perforations ou les données de l'image situées de part et d'autre de la bande sonore, ce qui provoque des interférences de l'audio. Le cas échéant, ajuster la molette d'alignement du lecteur peut améliorer l'audio. Si cela ne fonctionne pas, vous pouvez sélectionner le paramètre **Réduire la piste audio optique** dans le menu **Utiliser le film** du lecteur. Cette opération réduira la zone numérisée par le lecteur d'environ vingt pourcents, afin de restreindre les zones situées autour de la piste optique et d'améliorer la qualité de la numérisation audio.

Pour plus d'informations sur la fonction d'alignement du lecteur, consultez la section « Alignement » de ce manuel.

Audio magnétique

Si vous souhaitez numériser la piste magnétique couchée sur un film de 16mm, réglez le paramètre **Utiliser le film** sur **Audio magnétique**.

Pour vérifier s'il y a une piste audio magnétique couchée sur un film de 16mm, regardez s'il y a une bande noire à côté des images. La bande noire sera cuivrée sur le côté émulsion du film.

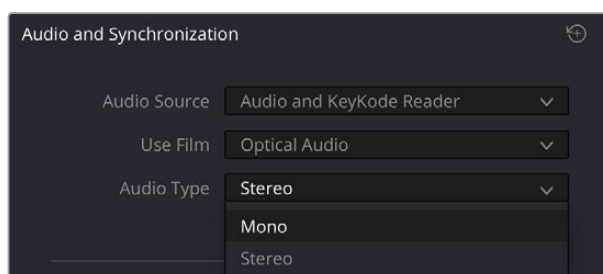
REMARQUE Lorsque vous numérisiez de l'audio magnétique couché, nous recommandons de régler la vitesse de numérisation sur 24 images par seconde afin d'obtenir une égalisation appropriée. Si vous numérisiez de l'audio à d'autres vitesses, il se peut que vous deviez ajuster la tonalité en post.

Type audio

Une fois que vous avez sélectionné l'option **Use Film** adéquate, choisissez le type d'audio souhaité dans le menu déroulant **Audio Type**.

Audio mono ou stéréo

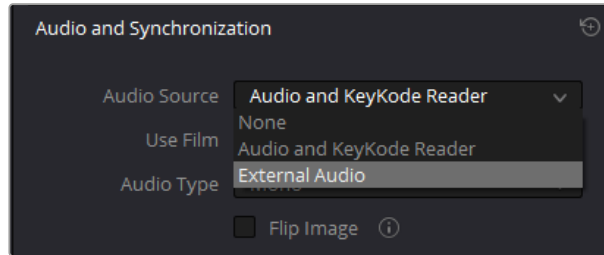
Il est facile de déterminer si l'audio optique est stéréo ou mono en regardant le film. S'il y a deux formes d'onde côte à côte, le film possède une bande sonore stéréo. Si vous ne voyez qu'une seule forme d'onde, ou des stries rapprochées représentant de l'audio de densité variable, le film possède une bande sonore mono. L'audio magnétique est toujours mono.



Choisissez **Stéréo** ou **Mono** selon le type d'audio du film.

Audio externe

Dans **Source audio**, cliquez sur le menu déroulant et sélectionnez **Audio externe**.



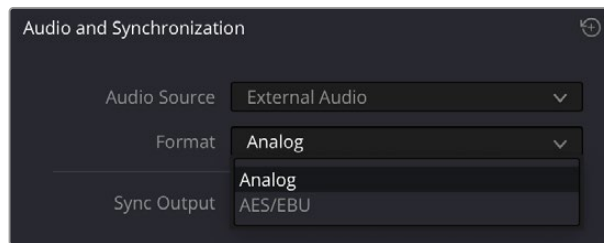
Lorsque **Audio externe** est sélectionné, les entrées audio XLR situées sur le panneau latéral du scanner Cintel acceptent de l'audio analogique ou numérique AES/EBU. Sélectionnez une option adéquate depuis le menu **Format** :

Analogique

Sélectionnez ce paramètre si vous utilisez de l'audio analogique symétrique.

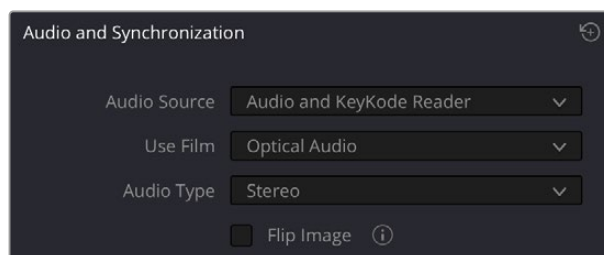
AES/EBU

Choisissez cette option pour recevoir de l'audio AES/EBU, aussi appelé AES3.



Retourner l'image

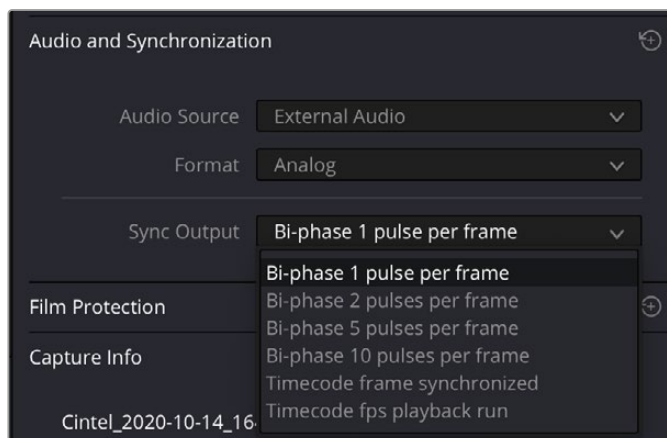
Si l'image est inversée lorsque vous numérisez l'audio depuis des négatifs, cochez la case **Inverser l'image**.



Activez l'option **Flip Image** pour retourner l'image

Sortie de synchronisation

Utilisez le menu **Sortie de synchronisation** pour sélectionner une synchronisation standard si votre scanner est connecté via le port XLR du panneau latéral à un équipement externe qui a besoin d'être synchronisé.



Options de sortie biphasé et timecode dans le menu **Sortie de synchronisation**

L'option **Biphase** achemine deux signaux en quadrature asymétriques sur la paire différentielle XLR3, afin que la direction et la fréquence soient détectées en fonction de la fréquence sélectionnée. L'option **Timecode synchronisé** achemine une valeur de timecode unique par image transportée. **Im/s du timecode exécuté en lecture** achemine les timecodes à une fréquence fixe déterminée par la fréquence d'images du film de votre projet. La tension de sortie passe automatiquement à 4.5V pour l'option biphasé et à 1.5V pour les options de timecodes.

REMARQUE Le signal de sortie timecode est supporté pour 24, 25 et 30 im/s, et aussi bien en timecode continu que verrouillé sur une image. Aucun signal de timecode n'est acheminé en sortie pour les autres fréquences d'images.

Vitesse de capture

Lorsque l'Audio and KeyCode Reader est installé et configuré pour capturer de l'audio, la vitesse de numérisation maximale du Cintel plafonnera à 125% de la fréquence d'images cible du film. Par exemple, lorsque vous numérisez un film pour une lecture à 24 images par seconde, la vitesse de numérisation maximale du scanner sera de 30 images par seconde. Cela garantit une fréquence d'échantillonnage de 48 kHz.

Alignement

Comme la position des bandes sonores optiques peut varier selon le tirage, il est important de vérifier que le lecteur numérise la bonne zone audio du film. La fonction d'alignement du lecteur audio vous permet d'ajuster avec précision la position de la tête de numérisation de l'audio optique afin de garantir la meilleure qualité possible.

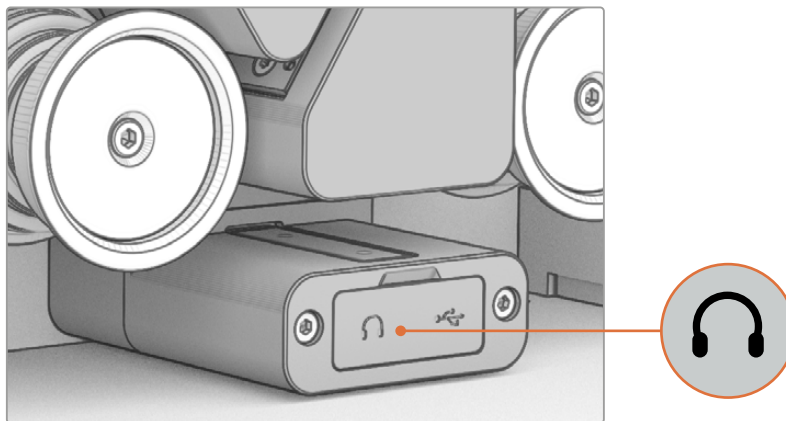
Pour utiliser la fonction d'alignement du lecteur :

- 1 Branchez un casque ou un analyseur audio au jack pour casque de 3,5mm du lecteur. Pour y accéder, soulevez simplement la protection en caoutchouc.
- 2 Une fois le casque ou l'analyseur branché, utilisez les commandes de transport du scanner pour vous déplacer à un emplacement du film où il y a de l'audio et lisez le film.

- 3 Lorsque vous écoutez ou analysez l'audio du film, faites tourner la molette d'alignement dans le sens des aiguilles d'une montre ou dans le sens contraire. La molette d'alignement est située dans la partie supérieure du lecteur. Lorsque vous tournez la molette d'alignement, la tête de numérisation se rapproche ou s'éloigne du bord du film, vous pourrez ainsi la positionner avec précision sur la piste optique. Lorsque vous ajustez l'alignement, l'intensité et la clarté de l'audio changent également. L'analyseur audio fonctionne sur le même principe, mais il est plus précis.

Pour les pistes stéréo, ajustez la molette jusqu'à ce que vous obteniez la position optimale à laquelle les deux canaux ont la même force et la même clarté sans distorsion.

Pour l'audio mono, il est plus efficace de régler l'audio sur stéréo lorsque vous ajustez l'alignement. Cela vous permet d'utiliser les canaux stéréo gauche et droit afin de centrer la piste, ce qui garantit une meilleure numérisation de la piste mono. Toutefois, n'oubliez pas de régler l'audio sur mono après avoir optimisé l'alignement.

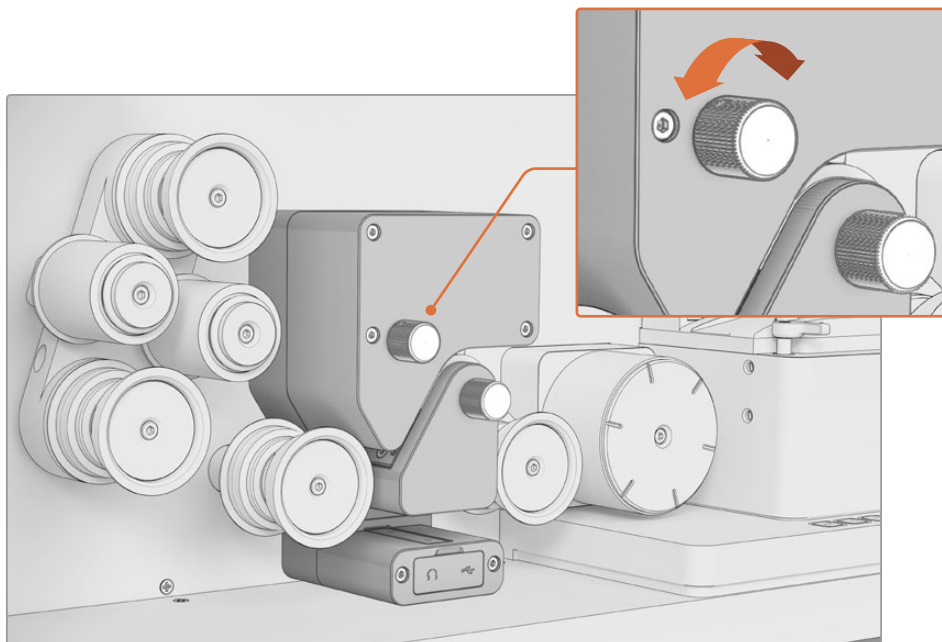


Le jack pour casque de l'Audio and KeyCode Reader est situé derrière une protection en caoutchouc dans la partie inférieure du lecteur.

Aperçu de l'audio via HDMI et le jack pour casque

Les bandes sonores sont tirées plusieurs images avant les images auxquelles elles correspondent. Par conséquent, le scanner Cintel décale automatiquement l'audio afin qu'il soit synchronisé avec l'image via la sortie HDMI et dans le clip numérisé.

Le jack pour casque achemine l'audio non synchronisé en temps réel directement à partir de la bande sonore. Ainsi, lorsque vous ajustez l'alignement, vous pouvez immédiatement entendre le résultat, sans décalage.



Faire tourner la molette d'alignement ajuste la position de la tête audio afin d'améliorer la qualité de la numérisation de l'audio optique.

Lorsque vous capturez de l'audio optique, la luminosité de la LED du lecteur baisse quand le galet ne tourne pas. Le lecteur se conforme à l'état du scanner, ainsi, si le scanner entre en mode veille, le lecteur le fera également.

Alignement de l'audio magnétique

La tête pour audio magnétique de l'Audio and KeyCode Reader a été préconfigurée lors de sa fabrication et ne devrait pas avoir besoin d'être ajustée. La nature de l'audio magnétique permet un léger chevauchement sans distorsion, car ces zones ne comprennent pas d'informations magnétiques. De plus, il y a généralement moins de variation au niveau de la position des bandes sonores magnétiques durant le tirage, et la tête magnétique du lecteur est un peu plus grande afin de compenser tout désalignement.

Alignement avancé

En plus des ajustements d'alignement listés ci-dessus, le lecteur prend également en charge :

- L'azimutage et l'ajustement de l'alignement de l'audio magnétique
- L'azimutage de l'audio optique
- L'ajustement de la lentille pour l'audio optique

Pour les plupart des utilisateurs, ces changements ne seront pas nécessaires. Pour plus d'informations sur ces ajustements avancés, veuillez contacter le centre de support technique de Blackmagic Design sur : www.blackmagicdesign.com/fr/support

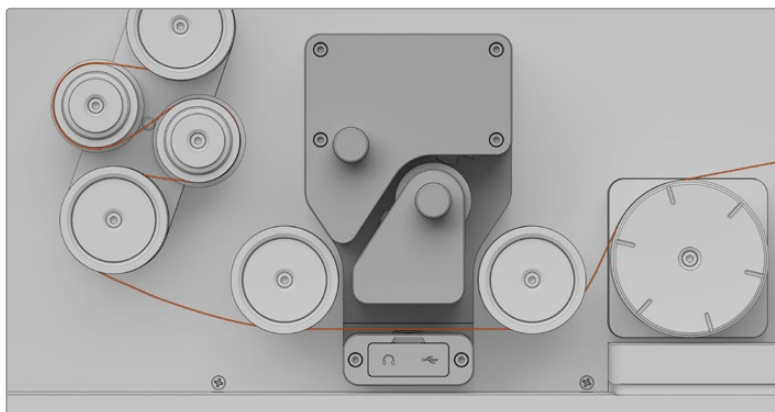
Commencer la numérisation

Une fois le type d'audio réglé et l'alignement ajusté, il suffit de commencer la numérisation comme décrit dans la section « Numériser une ou plusieurs sections du film » de ce manuel.

Il est important de noter que DaVinci Resolve ne commencera pas l'écriture d'un fichier avant d'avoir synchronisé les informations audio et vidéo provenant du scanner. Comme les informations audio sont tirées quelques images avant l'image correspondante, il y aura une pause d'environ une seconde entre le moment où le scanner a atteint la vitesse appropriée et le moment où la numérisation apparaît à l'écran.

Lecture du KeyCode

Si vous souhaitez numériser les données du KeyCode, il faut charger le film exactement de la même façon que lorsque le lecteur n'est pas installé. Le film passe naturellement à travers le lecteur de KeyCode quand il passe entre les galets et le couloir de film. Le tracé de chargement approprié est illustré ci-dessous.

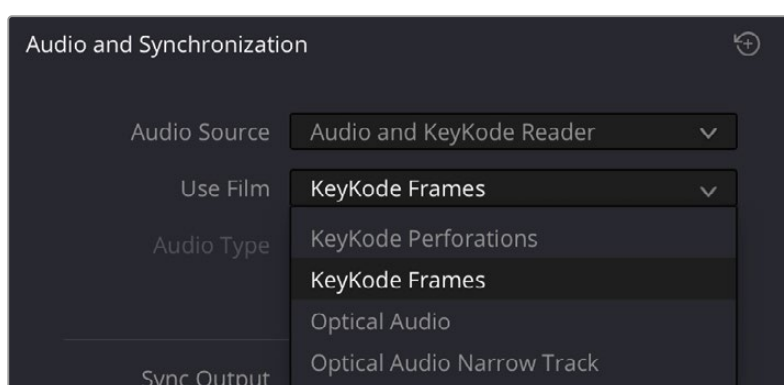


Chargez le film dans la partie inférieure de l'Audio and KeyCode Reader pour numériser les données du KeyCode.

REMARQUE Lorsque vous capturez les informations du KeyCode, veillez à ce que la section KeyCode du film passe au-dessus de la LED de numérisation.

Configurer le lecteur pour la numérisation du KeyCode

Lorsque le film est chargé sur le lecteur de KeyCode et qu'il est en tension, il faut configurer le scanner Cintel pour lire le KeyCode. Pour cela, il faut ouvrir la fenêtre Scanner de DaVinci Resolve et régler le paramètre **Utiliser le film** sur **KeyCode Perforations** ou **KeyCode Frames**. Quand vous exportez un fichier DPX, les informations Keycode sont affichées en images ou en perforations, en fonction de la sélection.



Sélectionnez **KeyCode Perforations** ou **KeyCode Frames** dans le menu **Utiliser le film** pour numériser les données du KeyCode sur un négatif.

Utiliser le film

Utilisez ce paramètre pour choisir les fonctions de lecture KeyCode ou audio de l'appareil. Pour plus d'informations concernant la lecture audio, consultez la section « Régler le lecteur pour la numérisation audio » de ce manuel.

Les paramètres du lecteur KeyKode comprennent :

KeyKode Perforations

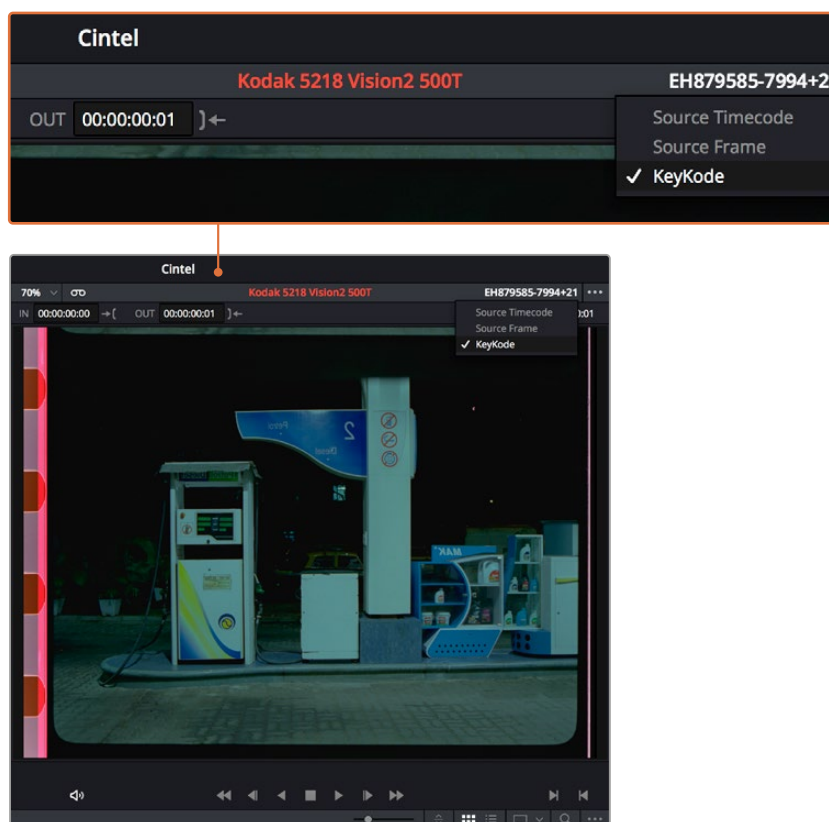
Sélectionnez **KeyKode Perforations** pour enregistrer le KeyKode en fonction du nombre de perforations.

KeyKode Frames

Sélectionnez **KeyKode Frames** avec tout type de film pour enregistrer le KeyKode en fonction du nombre d'images.

Le lecteur va numériser toutes les informations du KeyKode présentes sur le film et les enregistrer en tant que métadonnées sur chaque clip. Les métadonnées du KeyKode s'afficheront en haut du viewer dans la fenêtre Scanner de DaVinci Resolve.

Pour visualiser ces informations, cliquez simplement sur les options de paramétrage dans le coin supérieur droit du viewer et sélectionnez **KeyKode** dans le menu.



Pour afficher les données du KeyKode sur le viewer, cliquez sur les options d'affichage dans le coin supérieur droit du viewer et sélectionnez KeyKode dans le menu.

Les informations du KeyKode sont souvent capturées pour être incluses aux intermédiaires numériques DPX, comme décrit dans la section suivante. Toutefois, ces métadonnées sont également disponibles dans les pages **Montage** et **Étalonnage** de DaVinci Resolve, tout comme les autres métadonnées.

Transcoder les fichiers au format DPX avec les métadonnées du KeyKode

Si vous le souhaitez, vous pouvez également configurer DaVinci Resolve afin qu'il transcode vos fichiers numérisés au format DPX, et ainsi conserver toutes les métadonnées du KeyKode.

Pour transcoder les fichiers numérisés en DPX

- 1 Dans la barre de menu en haut de l'écran, cliquez sur **Fichier**, puis sélectionnez **Gestion des médias**.
- 2 Dans la fenêtre de gestion des médias, cliquez sur l'icône **Plans** afin de transcoder tous les clips individuellement, puis sélectionnez **Transcoder**.

- 3 Choisissez la destination.
- 4 Activez le paramètre **Transcoder tous les fichiers médias** pour transcoder tous les médias sur votre timeline.
- 5 Dans les paramètres vidéo, réglez le format vidéo sur **DPX** et choisissez le codec souhaité.
- 6 La résolution des fichiers correspondra automatiquement à la résolution de la timeline. Vous pouvez toutefois changer ce paramètre si vous souhaitez transcoder les fichiers dans une résolution différente. Vous pouvez également le régler pour qu'il corresponde à la résolution source des clips en cochant la case **Exporter en résolution source**.
- 7 Dans les paramètres audio, sélectionnez le nombre de canaux audio que vous souhaitez inclure aux fichiers DPX, ou sélectionnez **Identique à la source** pour faire correspondre l'audio aux clips source. Réglez également la profondeur audio désirée.

Les icônes DaVinci situées au bas de la fenêtre indiquent la taille actuelle des médias, ainsi que leur taille une fois transcodés en fichiers DPX.

- 8 Cliquez sur **Démarrer**.

Tous les clips de votre timeline sont à présent transcodés en fichiers DPX intégrant le KeyKode. Pour plus d'informations concernant le transcodage des fichiers Raw du Cintel vers d'autres formats, consultez la section « Media Management » du manuel DaVinci Resolve.

Vous pouvez également exporter les fichiers Raw du Cintel en fichiers DPX avec KeyKode intégré en allant sur la page **Exportation** de DaVinci Resolve. Sélectionnez **Plans individuels** dans les paramètres d'export pour que chaque fichier soit exporté séparément.

Entretien

Afin de garantir une qualité de numérisation optimale, il est important de garder le scanner propre et de le protéger de la poussière. Pour ce faire, il suffit de nettoyer régulièrement les galets PTR et d'utiliser un souffleur d'air sec afin de nettoyer les autres surfaces de contact du scanner, notamment les galets en caoutchouc, les galets dentés d'entraînement et le couloir de film.

Nettoyage des galets PTR

Il est important de nettoyer les galets PTR après chaque numérisation. Pour ce faire, il suffit de retirer le joint torique situé à l'extrémité des axes soutenant les galets, puis de faire glisser les galets. Appliquez de l'eau chaude savonneuse sur les galets et laissez-les sécher à l'air libre. Nous recommandons de ne pas les sécher avec une serviette ou un sèche-cheveux, car cela peut déposer de nouvelles particules sur les galets ou les déformer en raison de la chaleur. Une fois secs, faites de nouveau glisser les galets et les joints toriques sur les axes. Vous êtes maintenant prêt à numériser votre film.

Si les galets deviennent difficiles à retirer ou à installer, appliquez une fine couche de graisse de silicone à l'intérieur des joints toriques. Cela permet de les lubrifier et de faciliter le nettoyage.



Pour nettoyer les galets PTR, il suffit de retirer le joint torique situé à l'extrémité des axes soutenant les galets, puis de faire glisser les galets

Si les galets PTR ont perdu de l'adhérence, même après les avoir nettoyés, ou que leur installation est devenue difficile avec le temps, vous pouvez vous procurer de nouveaux galets sur le site Internet de Blackmagic Design : www.blackmagicdesign.com/fr

Nettoyer les cabestans

Nettoyez les cabestans quand nécessaire, idéalement avant la numérisation d'une nouvelle bobine de film. Laissez les cabestans sécher à l'air libre.

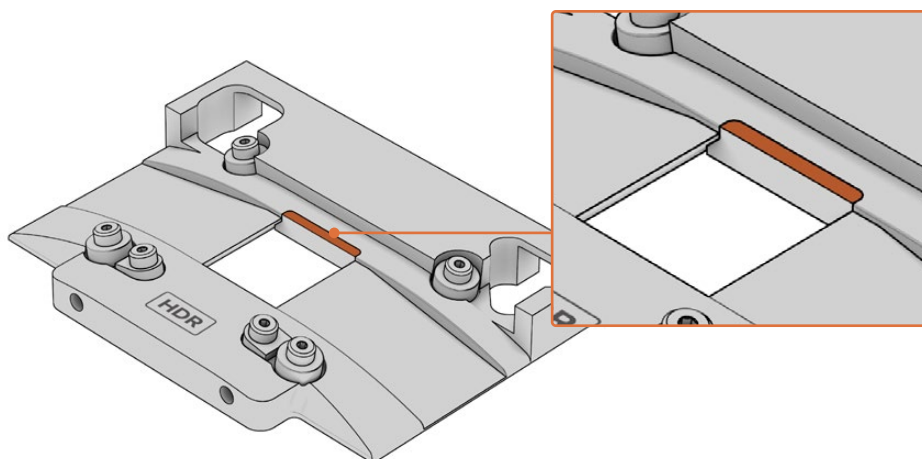
REMARQUE Pour éviter d'endommager l'électronique à proximité des cabestans, veillez à ne pas utiliser trop de liquide pour les nettoyer. N'appliquez qu'une petite quantité d'eau sur un chiffon non pelucheux. N'utilisez pas de produits abrasifs pour nettoyer les cabestans.

Dépoussiérage

Il est important de dépoussiérer le scanner quotidiennement. Il suffit d'utiliser un souffleur d'air sec afin d'enlever toutes les particules présentes sur le couloir de film, les galets dentés d'entraînement et toute autre surface entrant en contact avec le film. Il est préférable de retirer le couloir de film avant de dépoussiérer le scanner.

Lors du dépoussiérage, faites particulièrement attention à l'élément en plastique situé sur le couloir de film du scanner. L'accumulation de poussière dans cette zone peut affecter la stabilisation du film, il est donc judicieux de le nettoyer avec un chiffon humide de temps en temps.

Lors du dépoussiérage du couloir optionnel de 8mm, utilisez un souffleur d'air sec ou un chiffon non pelucheux pour nettoyer les faces de roulement et les volets de l'obturateur. Les poches des roulements devront aussi être nettoyées de temps à autre pour éviter l'accumulation de poussière.



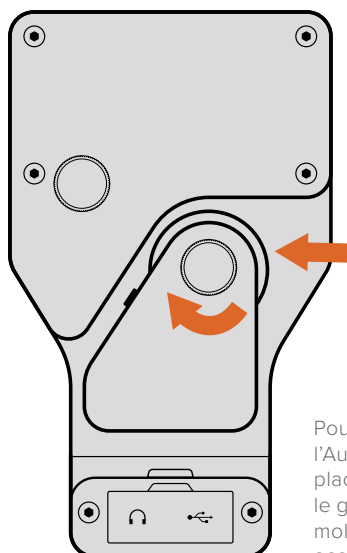
Lors du dépoussiérage, faites particulièrement attention à l'élément en plastique situé sur le couloir de film.

De temps à autre, il faudra également nettoyer la lentille située au-dessus de la source lumineuse RVB du scanner. Pour ce faire, utilisez un chiffon propre et un peu d'alcool isopropylique.

Vous pourrez vous procurer un souffleur d'air sec et de l'alcool isopropylique dans la plupart des magasins d'électronique.

Nettoyer le galet de l'Audio and KeyKode Reader

L'Audio and KeyKode Reader contient un galet en caoutchouc pour le film chargé sur le tracé supérieur. Ce composant doit être nettoyé de temps à autre avec un chiffon humide. Pour ce faire, il suffit de retirer le film chargé sur le tracé supérieur du lecteur et de placer le chiffon humide sur le galet en faisant tourner la molette afin d'enlever toute accumulation de poussière.

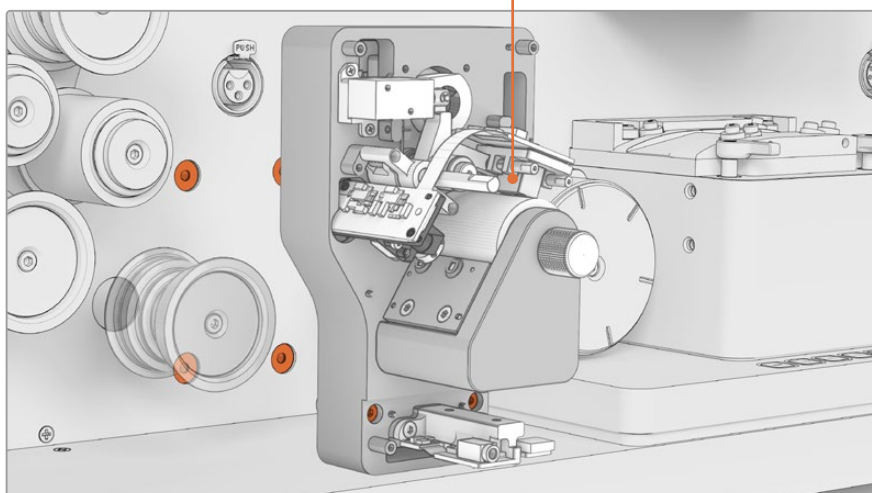
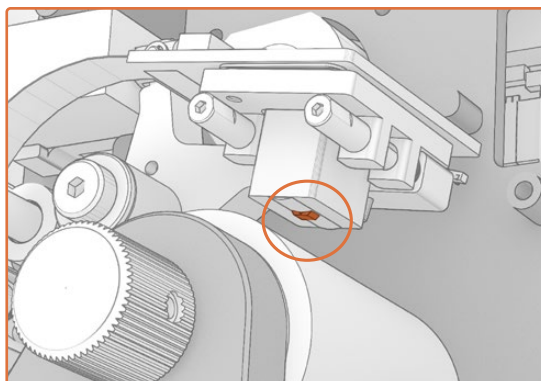


Pour nettoyer le galet de l'Audio and KeyKode Reader, placez un chiffon humide sur le galet en faisant tourner la molette afin d'enlever toute accumulation de poussière.

Nous recommandons de nettoyer les galets et la tête magnétique de l'Audio and KeyKode Reader à l'eau. Il est déconseillé d'utiliser de l'alcool, du xylène et d'autres produits chimiques, car ils peuvent endommager les accessoires du lecteur.

Nettoyer la tête magnétique de l'Audio and KeyKode Reader

Il se peut que vous souhaitiez nettoyer la tête magnétique de l'Audio and KeyKode Reader. Pour ce faire, retirez le couvercle supérieur du lecteur en dévissant les 4 vis M3 à l'aide d'une clé hexagonale de 2,5mm.



Retirez le couvercle supérieur de l'Audio and KeyKode Reader pour accéder à la tête magnétique.

Une fois la tête magnétique exposée, trempez un coton-tige dans l'eau et enlevez l'excédent, puis passez-le délicatement sur la surface de la tête magnétique. Attendez quelques minutes que la tête sèche, puis réinstallez le couvercle supérieur du lecteur.

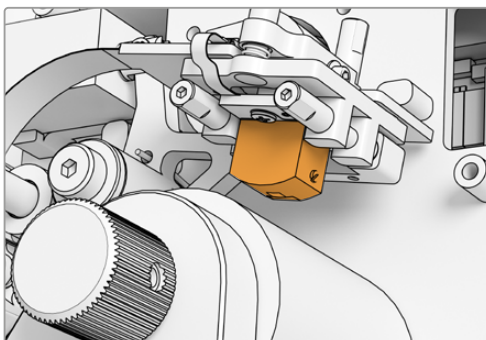
La tête magnétique est démagnétisée en usine et ne devrait pas nécessiter de démagnétisation supplémentaire.

Pièces de rechange pour le scanner Cintel

Vous pouvez vous procurer les pièces de rechange les plus courantes pour le scanner Cintel auprès du centre d'assistance technique Blackmagic Design de votre région. L'entretien du scanner Cintel est assez facile et intuitif. Toutefois, en cas de doute, vous trouverez de la documentation à cet effet auprès des revendeurs Blackmagic de votre région.

Remplacement de la tête magnétique

Lorsque la bande magnétique passe sur la tête de lecture dans le Cintel Audio and KeyKode Reader, elle polit lentement la surface, ce qui use l'entrefer et réduit la qualité audio. Nous recommandons de remplacer la tête magnétique tous les 2 à 3 ans, en fonction de votre utilisation.



REMARQUE Il existe deux versions de la tête magnétique du scanner Cintel :

Tête magnétique Version 1

Cette version de la tête magnétique n'est plus disponible et est installée dans les anciens Audio and KeyKode Reader avec un numéro de série inférieur à 6943522.

Tête magnétique Version 2

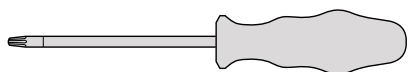
Il s'agit de la version actuelle de la tête magnétique installée dans les Audio and KeyKode Reader avec un numéro de série de 6943522 ou supérieur.

Si vous avez déjà une tête magnétique version 2 installée dans votre Audio and KeyKode Reader, vous pouvez suivre la procédure décrite dans la section « Remplacement de la tête magnétique de l'Audio and KeyKode Reader » du manuel principal Cintel pour remplacer votre tête magnétique.

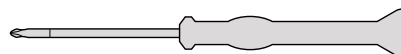
Si vous avez une tête magnétique version 1, suivez la procédure décrite dans ce manuel pour passer à un modèle version 2. Ce processus de mise à niveau est complexe, nécessite des pièces supplémentaires et ne doit être tenté que si vous avez l'expérience technique appropriée. Pour plus d'informations, veuillez consulter le document « Cintel Audio and KeyKode Reader V2 Upgrade Procedure ». Nos bureaux de vente peuvent également effectuer la mise à niveau. Pour télécharger le document relatif à la procédure de mise à niveau ou pour contacter le service d'assistance, rendez-vous sur le site www.blackmagicdesign.com/fr/support. Une fois la mise à niveau effectuée, la procédure d'entretien est la même que pour la tête magnétique version 1.

Outils requis

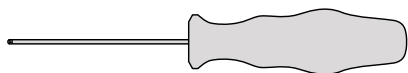
Les outils suivants sont requis :



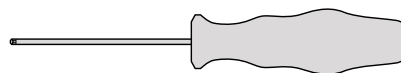
Tournevis T10.



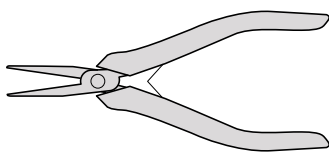
Tournevis PH 00.



Tournevis hexadécimal 1,5 x 60.



Tournevis hexadécimal 2,5mm.



Petite pince à épiler ou pince.

REMARQUE Veillez à utiliser des outils non magnétiques pour éviter de devoir démagnétiser la tête afin d'obtenir des performances optimales.

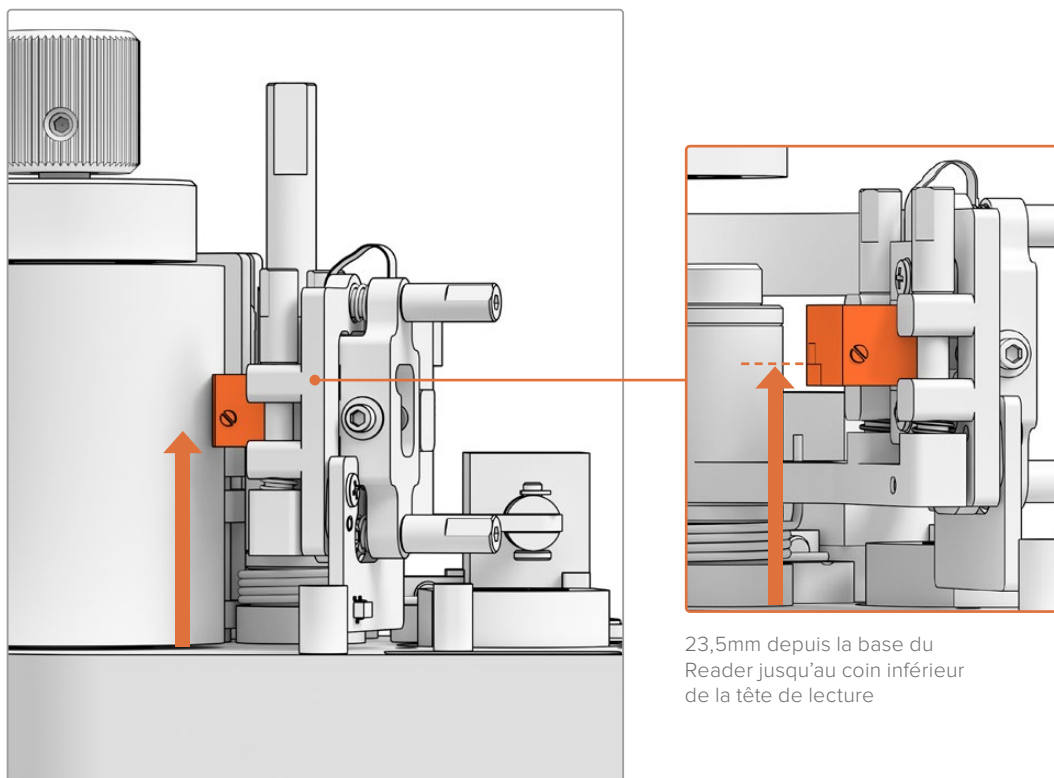
Avant la mise à niveau

Pour garantir une performance optimale de l'Audio and KeyKode Reader, nous vous recommandons de capturer un son de référence avant de remplacer la tête, et ce, afin de pouvoir comparer la qualité audio.

Les types de films suivants sont de bons exemples pour l'audio de référence :

- Film de test magnétique multi-fréquences BF16-10A DIN 15638 25im/s S16mm.
- Film SepMag S16mm.
- Leader S16mm. Blanc.
- ComOpt SMPTE P16MF multi-fréquences S16mm.
- ComOpt SMPTE P35MF multi-fréquences S35mm.
- Des films de référence client appropriés Combined Magnetic Film, ou CoMAG, et Combined Optical, ou ComOpt.

Notez la position initiale de la tête magnétique. Ceci est nécessaire pour le contrôle de suivi lors de la reconstruction du Reader après la mise à jour. Veillez à mesurer depuis la base du Reader jusqu'au bord de la face de contact de la tête magnétique. Idéalement, vous devriez obtenir environ 23,5mm.



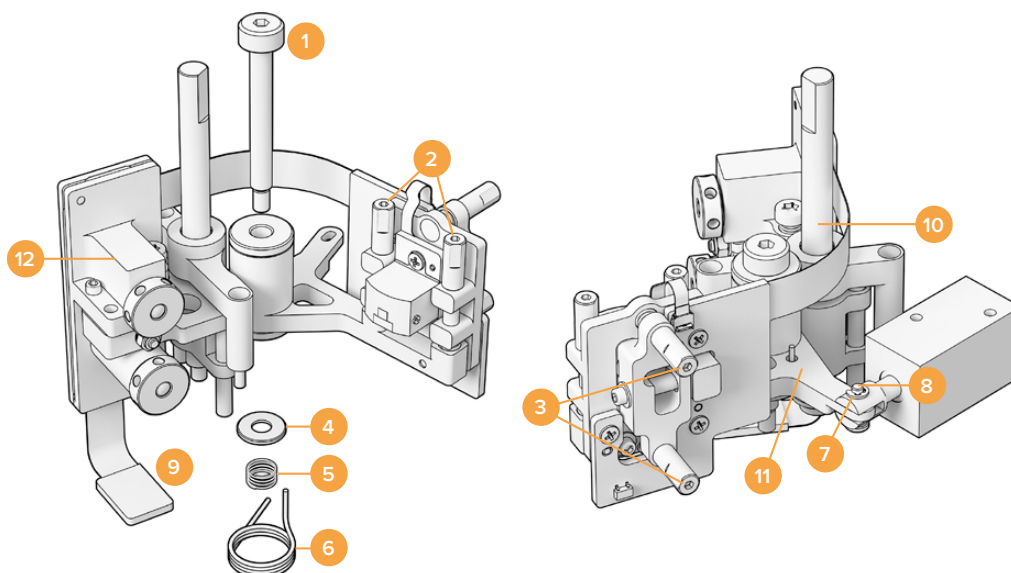
Hauteur de la tête magnétique à partir de la base du Reader

23,5mm depuis la base du Reader jusqu'au coin inférieur de la tête de lecture

Une fois vos vérifications terminées, vous pouvez retirer le Reader du scanner. Pour davantage d'explications, veuillez consulter la section « Installer l'Audio and KeyKode Reader » de ce manuel.

Remplacer le PCB de la tête magnétique

Avant de commencer à remplacer la tête magnétique, reportez-vous à l'illustration ci-dessous pour vous familiariser avec les pièces du sous-ensemble de la tête magnétique.

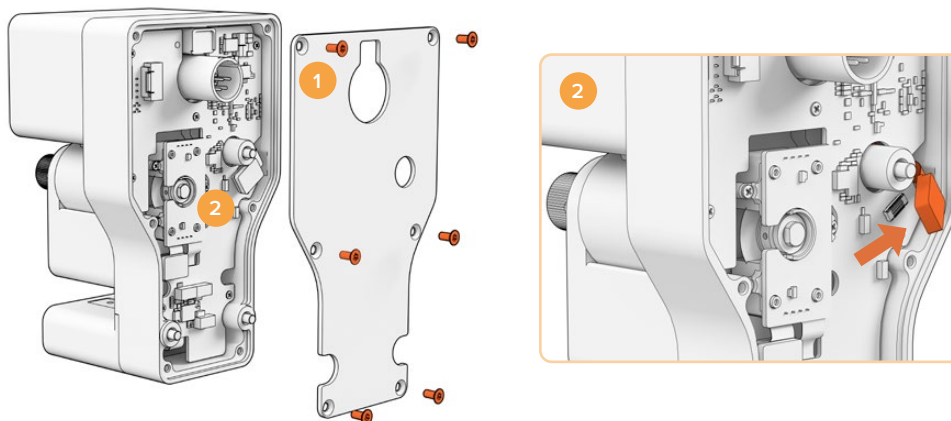


Sous-ensemble du bras de la tête magnétique

- | | | | |
|---|--|----|--|
| 1 | Vis à épaulement M3. | 6 | Ressort du bras de la tête magnétique. |
| 2 | Vis de réglage A1 et A2 pour l'ajustement perpendiculaire. | 7 | Clip de type E. |
| 3 | Zénith B1 et B2 pour l'ajustement de l'inclinaison. | 8 | Axe à épaulement. |
| 4 | Support de ressort hélicoïdal. | 9 | Connecteur du PCB du bras audio. |
| 5 | Ressort précontraint. | 10 | Monture d'ajustement de la hauteur. |
| | | 11 | Bras de la tête magnétique. |
| | | 12 | Bloc optique. |

Une fois que vous vous êtes familiarisé avec les composants de l'Audio and KeyKode Reader et que vous avez préparé tous les outils nécessaires, vous pouvez commencer le processus de remplacement de la tête magnétique.

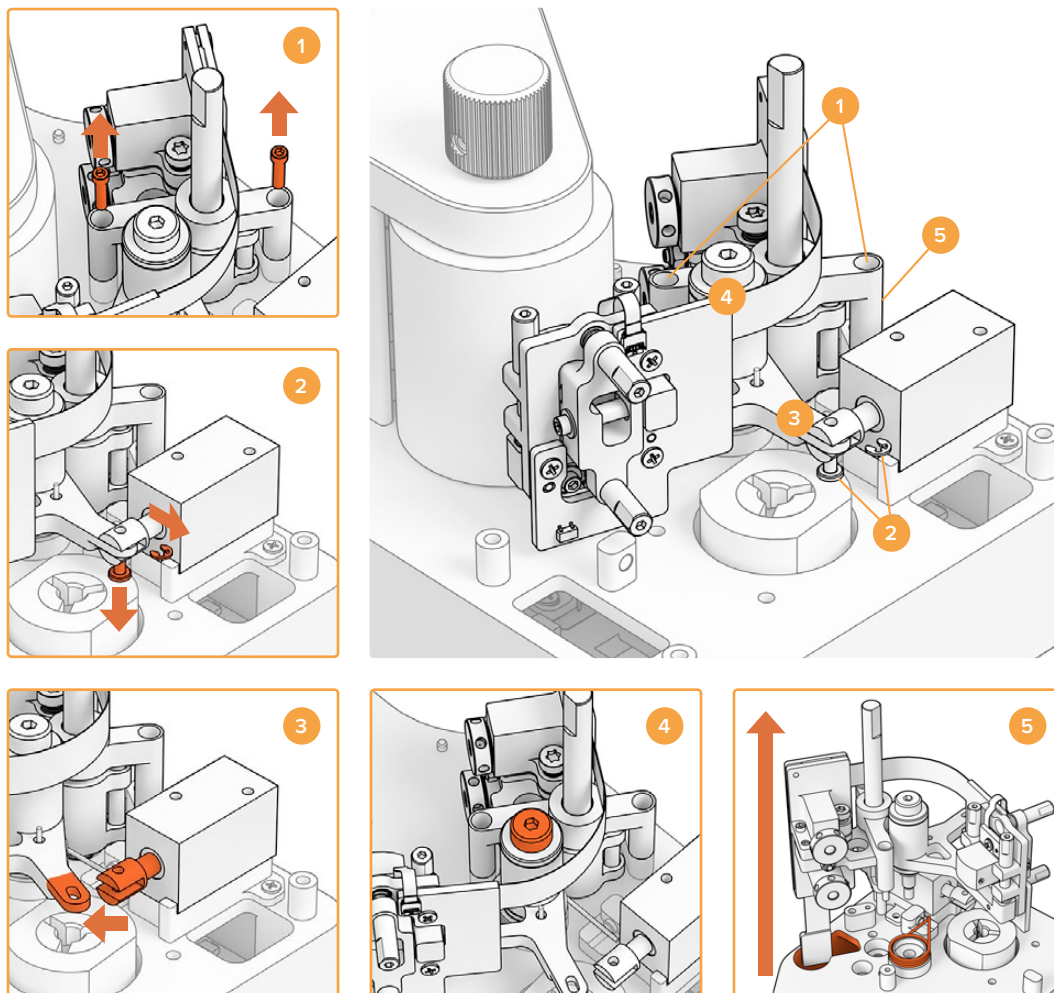
Retirer la plaque arrière du Reader



1. Retirer la plaque arrière 2. Déconnecter le sous-ensemble

- 1 Pour accéder à l'arrière du PCB principal, vous devez retirer le cache arrière. À l'aide d'un tournevis T10, dévissez les six vis M3 torx à tête fraisée et retirez le cache.
- 2 À l'arrière du Reader, faites basculer le loquet du connecteur pour déconnecter le sous-ensemble du PCB principal.

Removing the Sub Assembly



1. Retrait du réglage de la hauteur 2. Clip de type E du solénoïde et axe à épaulement
3. Détachement du bras de la tête magnétique 4. Vis à épaulement M3 5. Retrait du sous-ensemble

- 1 Placez délicatement le Reader sur l'envers. Retirez les deux vis à tête creuse M2 de chaque côté de la monture d'ajustement de la hauteur à l'aide d'un tournevis hexadécimal 1,5mm.
- 2 Retirez délicatement le clip de type E avec une pince à épiler ou une petite pince. Vous pourrez ainsi retirer l'axe à épaulement et détacher le bras du solénoïde.

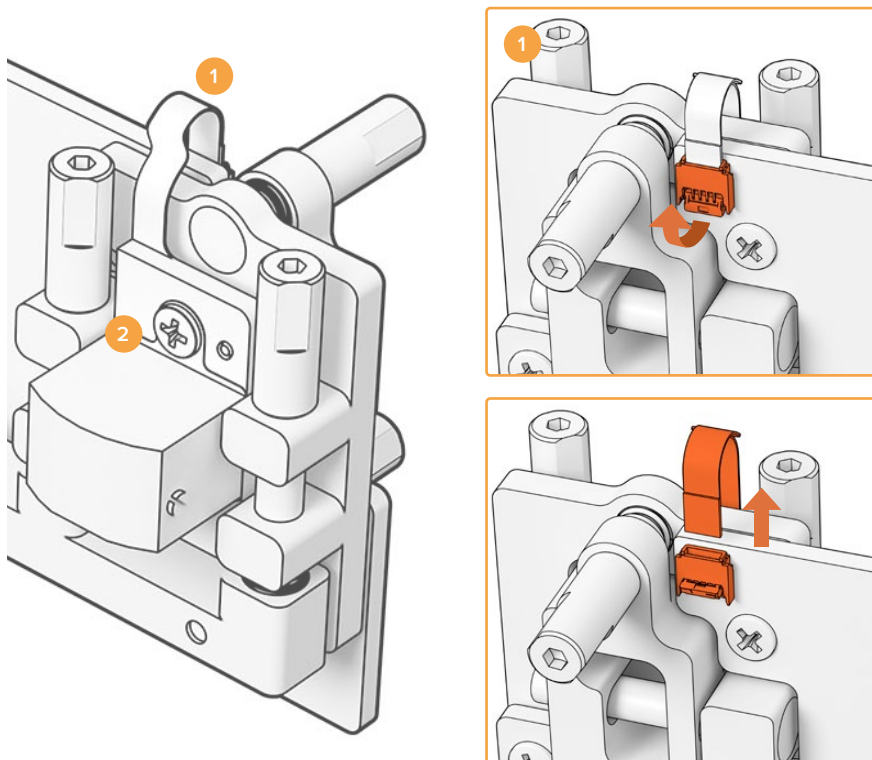
CONSEIL Pour retirer correctement la broche, faites pivoter le bras audio jusqu'à ce que la broche puisse passer dans l'espace entre l'écrou de serrage et le solénoïde. L'écrou de serrage est l'écrou situé à l'arrière du connecteur XLR qui serre le câble.

- 3 Tirez le bras de la tête magnétique sur le côté pour libérer le sous-ensemble du solénoïde.
- 4 À l'aide d'un tournevis hexadécimal 2,5mm, retirez la vis à épaulement M3.

- 5 Retirez délicatement le sous-ensemble du Reader, en veillant à ce que le connecteur PCB du bras audio passe par le trou du PCB principal. Il se peut que le ressort du bras de la tête magnétique se détache au cours de cette étape. Gardez-le en sécurité jusqu'à ce que le sous-ensemble soit reconstruit.

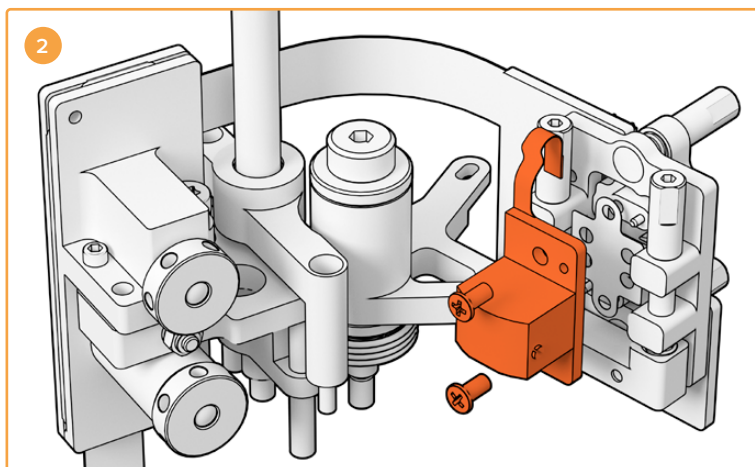
Retirez le support de ressort hélicoïdal et le ressort précontraint de la vis à épaulement, ainsi que le ressort à bras de la tête magnétique de la douille de montage.

Retirer la tête magnétique



1. Loquet du connecteur PCB 2. Détachement de la tête magnétique

- 1 À l'arrière du connecteur PCB du bras audio, faites basculer le loquet du connecteur pour libérer le PCB flexible de la tête magnétique. Retirez ensuite le PCB flexible.

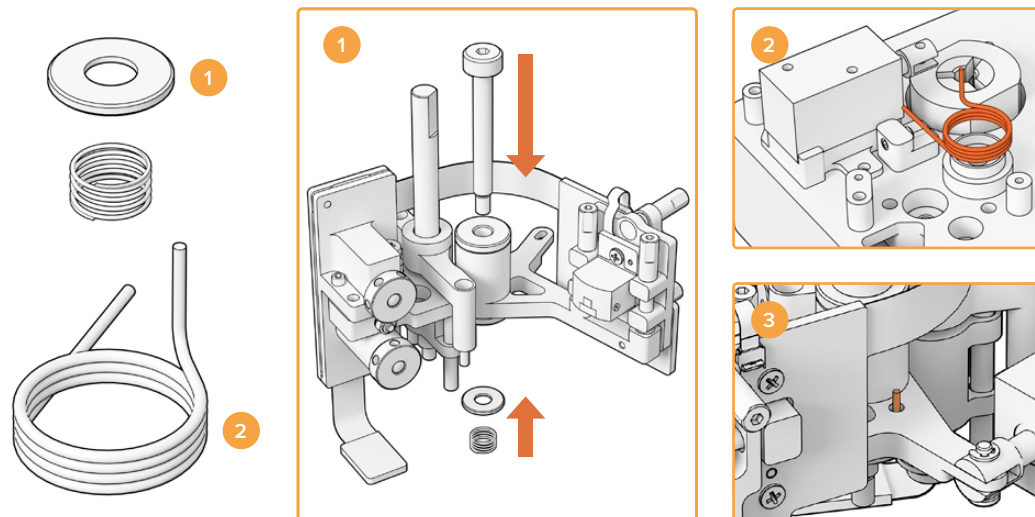


- 2 Dévissez les deux vis à tête cylindrique M2 à l'aide d'un tournevis PH00 pour libérer le PCB original de la tête magnétique de la monture de l'azimut magnétique. Vous pouvez maintenant vous débarrasser de l'ancien PCB de la tête magnétique.

Pour fixer la nouvelle tête magnétique, suivez les consignes de retrait de la tête dans l'ordre inverse.

Reconstruire le sous-assemlage

Une fois la tête magnétique remplacée, vous pouvez procéder à la reconstruction et fixer le sous-assemlage à l'Audio and KeyKode Reader.



1. Support du ressort hélicoïdal et ressort précontraint 2. Ressort à bras de la tête magnétique
3. Insérez le ressort à bras dans le bras audio

- 1 Faites glisser le support du ressort hélicoïdal dans la vis M3 avec la face dentée vers le bas. Puis, faites glisser le ressort précontraint dans la vis M3.
- 2 Placez le ressort à bras de la tête magnétique dans la douille de montage.
- 3 Le bras audio a un petit trou pour accueillir l'extrémité orientée vers le haut du ressort à bras. Lorsque vous installez le sous-assemlage, insérez l'extrémité orientée vers le haut du ressort dans le trou.
- 4 Une fois les ressorts placés dans le sous-assemlage et dans la douille de montage, vous pouvez fixer le sous-assemlage au Reader. Suivez les instructions des sections précédentes dans l'ordre inverse.

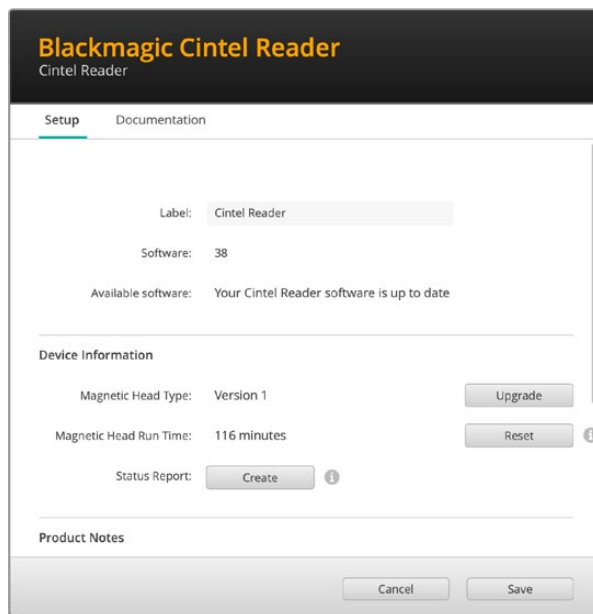
CONSEIL Lorsque vous fixez le sous-assemlage au Reader, assurez-vous que le connecteur PCB du bras audio est enfilé à travers le petit trou du PCB principal.

Une fois le sous-assemlage terminé, vous pouvez fixer l'Audio and KeyKode Reader à votre Cintel Scanner. Connectez le Reader au port XLR de votre Cintel et verrouillez-le avec les trois vis captives M3.

Ne fixez pas les caches avant du Reader maintenant, car vous devrez avoir accès aux composants pour le calibrage et les tests.

Réinitialiser la durée de fonctionnement de la tête magnétique

Après avoir remplacé la tête magnétique de l'Audio and KeyCode Reader, vous allez avoir besoin de réinitialiser le compteur de la durée de fonctionnement à l'aide de l'utilitaire Cintel Setup.



Dans la section **Device information**, cliquez sur le bouton **Reset**. Cela réinitialisera le compteur de la durée de fonctionnement afin de contrôler l'utilisation de votre tête magnétique et de savoir quand il faudra la remplacer.

Le bouton **Upgrade** de l'utilitaire Cintel Setup est réservé à la mise à jour du lecteur magnétique des versions hardware 1 à 2. Pour plus de détails, contactez le support sur www.blackmagicdesign.com/fr/support

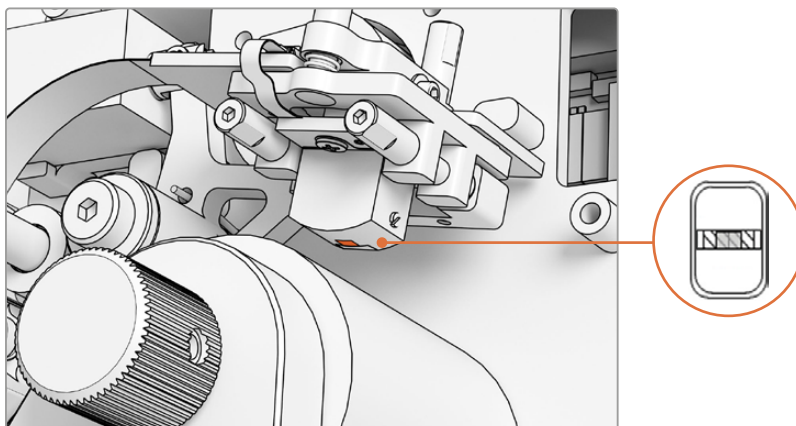
Vérifier l'alignement de la tête

Il est essentiel de corriger l'alignement de la tête magnétique pour des enregistrements audio de haute qualité et pour minimiser l'usure irrégulière sur la tête magnétique.

Utilisez DaVinci Resolve pour capturer des fichiers audio optique et magnétique adaptés afin de les comparer à vos fichiers de données originaux. Nous vous recommandons d'utiliser les films de référence suivants pour tester la réponse de votre nouvelle tête magnétique :

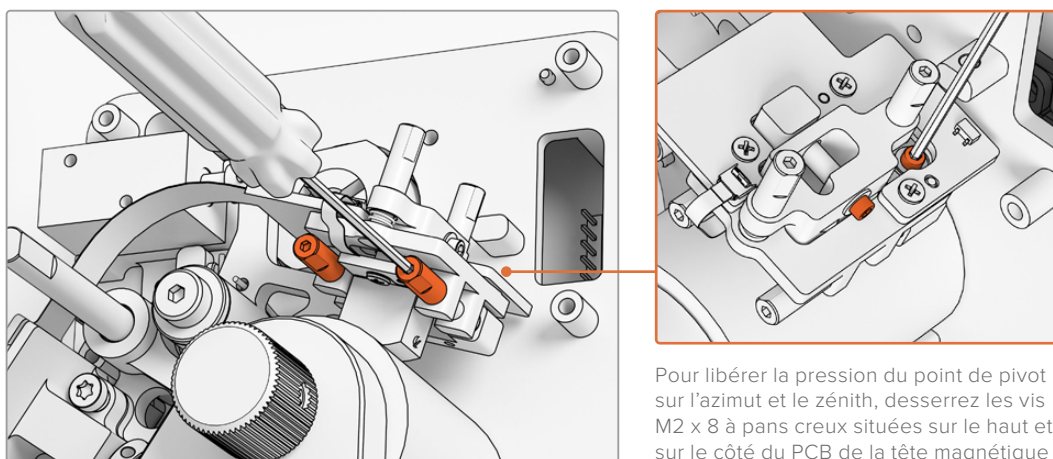
- Film test magnétique multi-fréquences Bezugs BF16-10A DIN 15638 25 im/s S16mm.
- Film SepMag S16mm.
- Leader S16mm. Blanc.
- ComOpt SMPTE P16MF multi-fréquences S16mm.
- ComOpt SMPTE P35MF multi-fréquences S35mm.
- Des films de référence client appropriés Combined Magnetic Film, ou CoMAG, et Combined Optical, ou ComOpt.

Tête magnétique



Tête magnétique à l'intérieur de l'Audio and KeyCode Reader

Lorsque vous ajustez la position et l'angle de la tête magnétique, faites attention au lacet, au zénith, à la hauteur de tracking et à l'azimut. Utilisez le tournevis hexadécimal 1.5 x 60 pour ajuster l'azimut et le tracking sur les vis A1 et A2, et si besoin, le zénith et le lacet sur les vis B1 et B2.



Ajustement de l'azimut de la tête magnétique en tournant les vis A1 et A2 avec un tournevis SW 1,5mm

Pour libérer la pression du point de pivot sur l'azimut et le zénith, desserrez les vis M2 x 8 à pans creux situées sur le haut et sur le côté du PCB de la tête magnétique

Vérifier le motif d'usure :

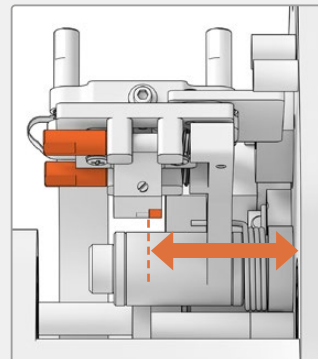
- 1 Appliquez une trace de marqueur sur la face de la bande.
- 2 Faites défiler le transport du film avec un film Leader 16mm pendant 3 à 5 secondes.
- 3 Inspectez le motif d'usure de la tête pour une usure équilibrée de n'importe quel côté de l'entrefer de tête. Ajoutez du marqueur si plusieurs passes sont nécessaires.
- 4 Essuyez les excès de marqueur avec de l'alcool une fois satisfait.



Un alignement correct permet un motif d'usure équilibré.

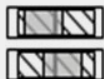
Tracking

Utilisez les vis A1 et A2 de l'azimut horizontal pour aligner physiquement la tête sur une piste SepMag 16mm. Comme mesurée avant la construction, la distance entre le bord de la face de la tête magnétique et la base du Reader doit être approximativement de 23,5mm. Veuillez noter que toutes les vis d'ajustement sont amorties et graissées, elles n'ont donc pas besoin d'être serrées.

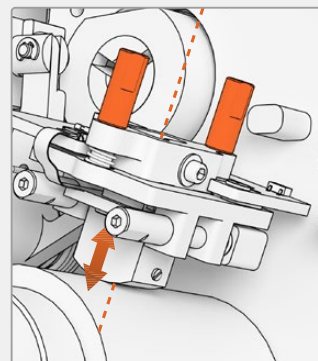


Hauteur

Pour ajuster la hauteur de la tête magnétique, tournez les vis B1 et B2 de manière égale. Examinez la hauteur de la tête en prenant en compte l'alignement du film. Cela permet de vous assurer que le motif d'usure est centré avec l'entrefer dans la tête magnétique.



Une hauteur incorrecte entraîne un motif d'usure déséquilibré.

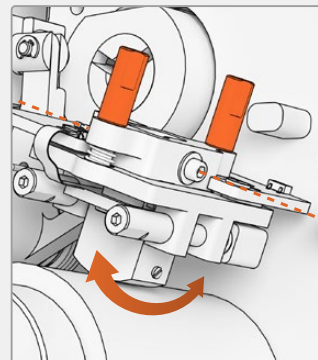


Zénith

Pour ajuster le zénith, aussi appelé tilt, tournez les vis verticales B1 et B2 individuellement. Examinez l'angle de la tangente en prenant en compte l'alignement du film. Cela permet de vous assurer que l'usure causée par le contact avec l'entrefer est le même.



Un zénith incorrect entraîne un motif d'usure déséquilibré.

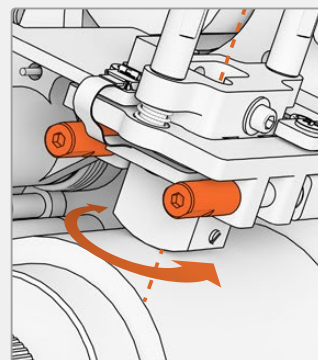


Azimut

Les vis horizontales A1 et A2 pour l'ajustement de l'azimut règlent la position perpendiculaire de la tête. Ajustez les vis A1 et A2 pour une modulation du signal et une linéarité de phase maximales.

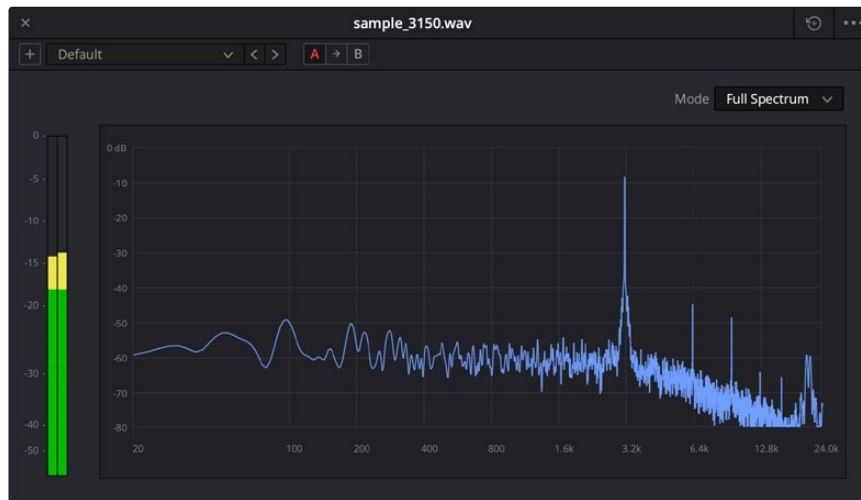


Un azimut incorrect entraîne un motif d'usure déséquilibré et une mauvaise réponse des hautes fréquences.



REMARQUE Une fois que vous êtes satisfait avec les réglages et les performances de la nouvelle tête magnétique, rebloquez l'azimut et le zénith en tournant les vis M2 x 8 à pans creux.

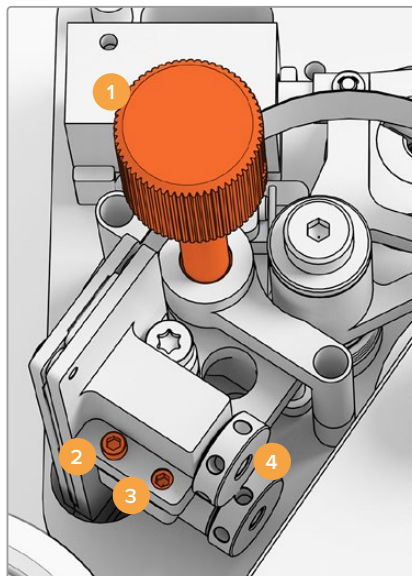
CONSEIL Utilisez une pellicule d'essai avec la plus haute fréquence possible, 10kHz est recommandé. Capturez et prévisualisez la forme d'onde .wav et la FFT dans Resolve à l'aide des outils du **Frequency Analyser** dans Fairlight. Vous pouvez également utiliser un outil d'analyse tiers en direct via le port de sortie du casque ou l'appareil audio Desktop Video pour le scanner.



Exemple de l'analyseur de fréquences d'une piste W&F 3.15kHz

Vérifier l'alignement du bloc optique

Assurez-vous que le bloc audio optique fonctionne correctement en vérifiant l'alignement des lentilles audio optique.



1. Molette d'ajustement du tracking
2. Vis M2 d'ajustement de l'azimut
3. Vis M3 de verrouillage de l'azimut
4. Lentilles audio optique

Hauteur de tracking

Ajustez la molette d'ajustement de la hauteur de tracking pour aligner les lentilles audio optique avec les pistes audio sur les films 16mm et 35mm. Assurez-vous que les lentilles couvrent chaque piste audio discrète sans écrêter l'autre. Vous pouvez mesurer la force de l'audio en capturant un film Combined Optical, ou ComOpt, et en revisualisant la forme d'onde et la FFT depuis la page Fairlight de DaVinci Resolve à l'aide de l'outil **Frequency Analyser**. Vous pouvez également utiliser un outil d'analyse en direct tiers via le port de sortie du casque ou l'appareil audio Desktop Video pour le scanner.

Azimut

L'azimut pour le bloc optique est pré réglé en usine. Effectuez uniquement ces étapes dans le cas peu probable où l'azimut aurait besoin d'être ajusté.

- 1 Desserrez la vis M3 de verrouillage de l'azimut à l'aide d'un tournevis hexadécimal 1,5mm.
- 2 Avec un film test stéréo 35mm à haute fréquence, tournez la vis d'ajustement de l'azimut pour vous assurer que les canaux audio droit et gauche sont alignés en phase.
- 3 Une fois satisfait du résultat, réglez l'azimut en le verrouillant à l'aide de la vis de verrouillage.

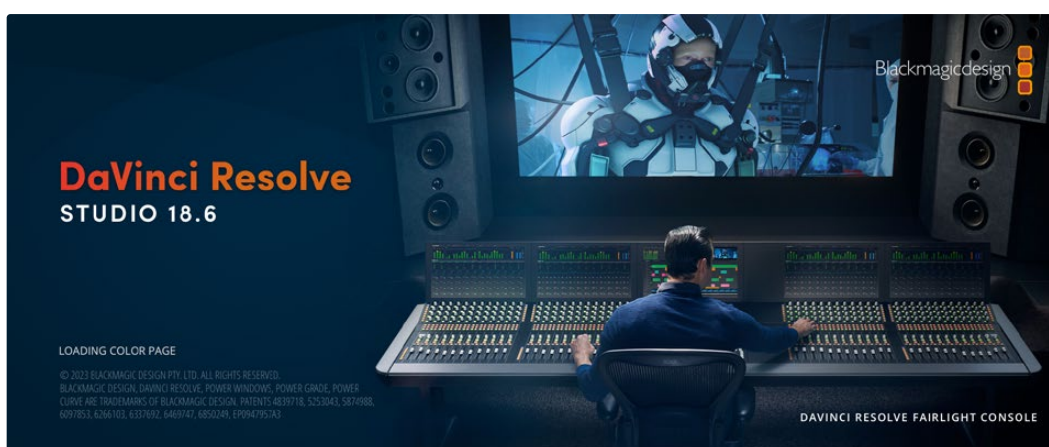
REMARQUE Occasionnellement, verrouiller la vis de verrouillage de l'azimut peut légèrement affecter les réglages de l'azimut. Dans ce cas, répétez les étapes ci-dessus.

Une fois le calibrage de la tête magnétique et du bloc audio optique finalisé, remplacez le cache avant et revissez les quatre vis captives M3 à l'aide d'un tournevis hexadécimal 2,5mm. Une fois le cache fixé, vous pouvez remettre la molette d'ajustement à l'aide d'un tournevis hexadécimal 1,5mm.

Travailler avec des clips au sein de DaVinci Resolve

Vous pouvez utiliser l'outil **Clone** de DaVinci Resolve situé sur la page **Média** pour créer des sauvegardes lors de la numérisation des clips. Cela permettra d'éviter de perdre des médias à cause de dommages ou de défauts. Une fois que vous avez utilisé DaVinci Resolve pour sauvegarder vos médias, vous pouvez charger les clips numérisés dans la bibliothèque de médias du logiciel, les organiser dans une timeline, puis étalonner et finaliser votre projet au sein de DaVinci Resolve.

CONSEIL Vous pouvez identifier les clips HDR grâce à l'icône HDR située en bas à gauche de la vignette du clip.



Comme le scanner Cintel capture les images au format d'image RAW CRI avec une plage dynamique étendue, DaVinci Resolve vous permettra de modifier vos prises pour obtenir le rendu souhaité. DaVinci Resolve est utilisé sur de nombreuses grosses productions hollywoodiennes. Il offre bien plus de fonctionnalités qu'un logiciel de montage non linéaire standard et intègre une technologie de pointe destinée à la création de longs métrages haut de gamme. Vous bénéficiez des avantages de cette technologie lorsque vous utilisez DaVinci Resolve pour le montage et l'étalonnage des fichiers scannés.

Vous trouverez ci-dessous des informations relatives à l'utilisation de DaVinci Resolve avec les fichiers numérisés à l'aide de Cintel. Il va sans dire que DaVinci Resolve est un outil ultra performant et que son interface utilisateur renferme de nombreuses fonctionnalités. Pour plus d'informations sur l'utilisation de DaVinci Resolve, veuillez consulter le manuel d'utilisation de DaVinci Resolve sur le site internet de Blackmagic Design. Vous y trouverez également plusieurs formations et tutoriels.

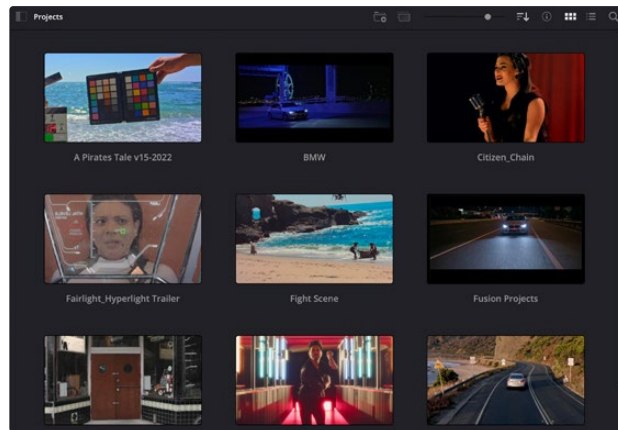
Gestionnaire de projet

Avant d'importer des clips et de commencer le montage, vous devez configurer votre projet à l'aide du Gestionnaire de projet.

Le gestionnaire de projet est la première page qui s'affiche lorsque vous lancez DaVinci Resolve, mais vous pouvez y accéder à tout moment en cliquant sur l'icône d'accueil située en bas à droite de l'interface. Il permet d'accéder à d'anciens projets ou d'en créer de nouveaux.

Pour créer un nouveau projet, cliquez sur **Nouveau projet** en bas de la fenêtre, puis renommez-le. Cliquez sur **Créer**.

En utilisant la page **Cut**, vous pouvez directement commencer le montage.



Le Gestionnaire de projet affiche tous les projets de l'utilisateur

Pour plus d'informations sur le Gestionnaire de projet, veuillez consulter le manuel DaVinci Resolve téléchargeable depuis la page d'assistance du site internet de Blackmagic Design.

Monter avec la page Cut

La page Cut offre un workflow de montage rapide et dynamique pour assembler, raccorder et monter vos clips de manière efficace.

Les deux timelines actives vous permettent de travailler simultanément sur la totalité du montage ainsi que sur une zone en particulier. Ainsi, vous pouvez déposer vos clips dans la grande timeline, puis peaufiner votre montage dans la timeline détaillée, le tout au sein du même espace de travail. Grâce à ce workflow, vous pouvez monter vos clips depuis un ordinateur portable sans perdre de temps à zoomer ou à scroller dans la timeline.

Disposition de la page Cut

Lorsque vous ouvrez la page Cut, vous verrez la bibliothèque de médias, le viewer et la timeline. Ces trois fenêtres principales offrent un contrôle complet sur votre montage.



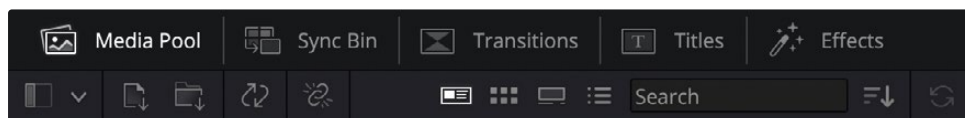
Disposition par défaut de la page Cut, avec la bibliothèque de médias affichée par vignette

Pour plus d'informations sur la page Cut, veuillez consulter le chapitre « The Cut Page » du manuel DaVinci Resolve.

Onglets des médias

En haut à gauche de l'écran, vous trouverez cinq onglets.

Cliquez sur ces onglets pour ouvrir les outils destinés au montage. Par exemple, le premier onglet est la bibliothèque de médias. Elle est sélectionnée par défaut. Les autres onglets s'intitulent Sync bin, Transitions, Titres et Effets.



Bibliothèque de médias

La bibliothèque de médias contient tous les clips, dossiers et fichiers que vous avez importés sur la page Média. Vous pouvez également importer de nouveaux fichiers directement dans la page Cut, pour éviter d'avoir à revenir sur la page Média.

Sync Bin

Cette puissante fonction permet de synchroniser automatiquement tous vos clips via le timecode, la date et l'heure de façon à ce que vous puissiez choisir les angles depuis toutes les caméras sur un projet multicaméra.

Transitions

En cliquant sur cet onglet, vous afficherez toutes les transitions vidéo et audio disponibles pour votre montage, dont les fondus enchaînés, les volets animés et d'autres transitions populaires.

Titres

L'onglet **Titres** se trouve à côté de l'onglet Transitions. Il permet de sélectionner le type de titre souhaité, comme un texte défilant, un texte standard ou un bandeau de bas d'écran. Vous pouvez également utiliser les modèles de titres Fusion pour ajouter des titres animés dynamiques. Ces animations sont personnalisables sur la page Fusion de DaVinci Resolve.

Effets

Le cinquième onglet s'intitule **Effets**. Il permet d'afficher tous les filtres et effets que vous pouvez utiliser pour enrichir votre montage, comme des effets de flou, d'éclat et de flare. Vous avez le choix parmi de nombreux effets que vous pouvez retrouver facilement via l'outil de recherche.

CONSEIL Utilisez la barre de recherche pour retrouver facilement les éléments de votre choix. Par exemple, si l'onglet Transitions est sélectionné, entrez « Fondu » dans l'outil de recherche pour afficher uniquement les transitions de type fondu dans le viewer.




Icônes du viewer

En haut à gauche de la fenêtre du viewer, vous trouverez les boutons des modes du viewer.



Boutons des modes du viewer

Ces boutons permettent de contrôler le mode de viewer utilisé : **Plan source**, **Bande source** et **Timeline**. Ces modes du viewer offrent énormément d'options de contrôle lorsque vous sélectionnez les clips pour votre montage.



	Plan source	<p>Le viewer Plan source affiche un seul clip depuis la bibliothèque de médias et vous pouvez saisir des points d'entrée et de sortie sur toute la longueur de la timeline. Cette option vous offre davantage de contrôle. Sélectionnez un clip source à visualiser en double-cliquant sur un clip dans la bibliothèque de médias, ou en le faisant glisser dans le viewer.</p>
	Bande source	<p>Le mode Bande source permet de visionner tous les clips sources dans la bibliothèque de médias. C'est très pratique pour rechercher rapidement un moment précis parmi tous vos clips. Alors que vous survolez les clips avec la tête de lecture, les vignettes associées sont sélectionnées dans la bibliothèque de médias. Ainsi, lorsque vous avez trouvé le clip que vous souhaitez monter, vous pouvez cliquer sur l'icône Plan source pour que le clip source correspondant apparaisse automatiquement dans le viewer.</p> <p>Ce mode vous offre la liberté de travailler sur votre montage, de rechercher rapidement des prises, de tester de nouvelles idées tout en restant dans le moment.</p>
	Timeline	<p>Le viewer Timeline permet de voir la timeline de montage pour lire votre projet et peaufiner vos montages.</p>

Importer des clips dans la bibliothèque de médias

Vous pouvez désormais commencer à importer des médias dans votre projet. Pour cela, utilisez les outils d'importation situés au-dessus de la bibliothèque de médias de la page Cut.



Sélectionnez une des options d'importation pour ajouter des médias à votre projet

	Importer un média	<p>Cette option permet d'importer des fichiers de média individuellement depuis votre espace de stockage.</p>
	Importer un dossier	<p>Cette option permet d'importer un dossier depuis votre espace de stockage. Lors de l'importation d'un dossier, DaVinci Resolve conserve la structure des fichiers, traitant chaque dossier comme un chutier séparé. Ainsi, vous pourrez naviguer entre les chutiers pour retrouver vos vidéos et autres médias.</p>

Pour importer des médias :

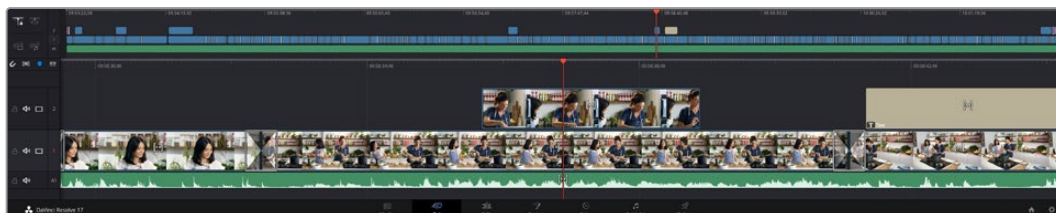
- 1 Cliquez sur l'icône d'importation d'un média ou d'un dossier.
- 2 Naviguez dans votre espace de stockage pour retrouver le média de votre choix.
- 3 Sélectionnez le fichier ou le dossier, puis cliquez sur **Ouvrir**.

Une fois les médias ajoutés à votre projet, pensez à sauvegarder vos changements. DaVinci Resolve comprend une fonctionnalité de sauvegarde automatique très rapide, appelée Enregistrement continu. Après avoir manuellement sauvegardé votre projet une première fois, l'enregistrement continu sauvegardera les prochaines modifications en temps réel. Ainsi, vous ne perdrez jamais votre travail.

Pour plus d'informations sur l'enregistrement continu et les autres fonctionnalités de sauvegarde, veuillez consulter le manuel DaVinci Resolve.

Ajouter des clips à la timeline

Maintenant que vous êtes familiarisé avec l'onglet des médias et les modes du viewer, vous pouvez ouvrir la bibliothèque de médias et ajouter rapidement des clips à votre timeline.



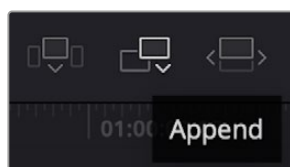
La timeline supérieure et la timeline inférieure zoomée de la page Cut

La timeline est l'endroit où vous allez effectuer votre montage. C'est comme un tableau avec des pistes sur lequel vous pouvez ajouter, déplacer et rogner des clips. Les pistes vous permettent de créer différentes couches pour superposer les clips. Ainsi, vous avez davantage de flexibilité pour essayer différents montages et pour créer des transitions et des effets. Par exemple, vous pouvez essayer un montage sur un clip d'une piste, sans que cela affecte les clips de la piste du dessous.

Vous pouvez ajouter des clips à la timeline de différentes façons, en utilisant par exemple les modes Insertion intelligente, Ajouter à la fin ou Placer au-dessus.

Ajouter des clips à la fin

Lorsque vous sélectionnez des prises et que vous créez un montage, vous voudrez probablement ajouter ces prises à votre timeline les unes après les autres. L'outil Ajouter à la fin est parfait pour cela, car il vous permettra de monter vos clips rapidement.



Cliquez sur l'icône Ajouter à la fin pour placer un clip après le dernier clip

Pour ajouter un clip à la fin :

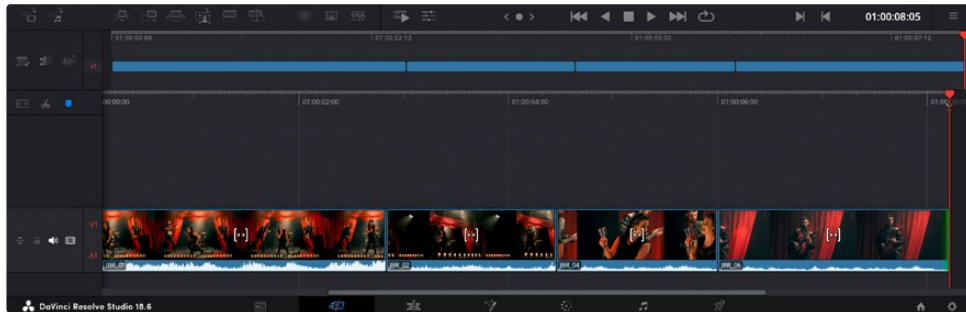
- 1 Double-cliquez sur un clip pour l'ouvrir dans le viewer.
- 2 À l'aide de l'outil scratch trim, réglez les points d'entrée et de sortie pour sélectionner la durée précise de votre prise. Vous pouvez également régler les points en appuyant sur les touches « i » ou « o » de votre clavier.



- 3 Cliquez sur l'icône **Ajouter à la fin** située dans la barre au-dessous de la bibliothèque de médias.

Votre premier clip sera placé au début de la timeline.

Répétez les étapes 1 à 3 pour ajouter des clips les uns après les autres, sans laisser d'espace entre eux.



En ajoutant des clips à la fin, vous n'aurez pas d'espace vide entre les clips

CONSEIL Vous pouvez travailler plus rapidement en assignant un raccourci clavier à la fonction **Ajouter à la fin**. Par exemple, en assignant la touche « p » à cette fonction, vous pouvez régler les points d'entrée et de sortie avec les touches « i » et « o », puis directement appuyer sur « p » pour ajouter le clip à la fin. Pour plus d'informations sur les raccourcis clavier, veuillez consulter le manuel DaVinci Resolve.

Raccorder des clips dans la timeline

Une fois les clips ajoutés dans la timeline, vous pouvez les déplacer et effectuer des raccords comme bon vous semble.

Pour rogner un clip, survolez-en le début ou la fin avec votre souris, puis cliquez et faites glisser la souris vers la gauche ou la droite. Par exemple, glissez vers la gauche pour réduire sa durée, ou vers la droite pour l'augmenter. Vous remarquerez qu'après cette action, tous les clips seront déplacés dans la timeline pour s'adapter au nouvel ajustement. C'est une des nombreuses fonctionnalités de la page Cut qui vous permettra de gagner du temps.

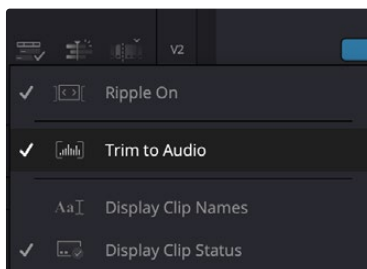
Vous pouvez même remonter le clip pour le déposer dans une nouvelle piste vidéo dans la grande timeline sans avoir à zoomer ou à dézoomer. Vous perdrez ainsi moins de temps à naviguer dans une longue timeline.

Affichage des trims audio

L'affichage Audio Trim vous permet de monter l'audio de manière précise, en agrandissant la forme d'onde audio dans la timeline. C'est très utile si vous travaillez sur une scène de dialogue ou un clip musical, car vous pourrez retrouver facilement un point de coupe entre les mots et les temps.

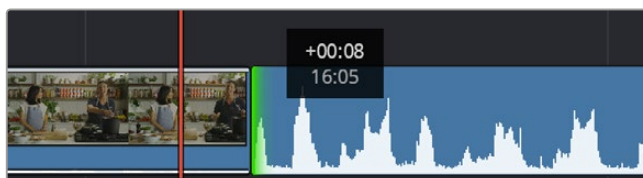
Pour utiliser l'affichage Audio Trim :

- 1 Cliquez sur les options de la timeline et sélectionnez **Trim to Audio**.



L'option **Trim to Audio**

- 2 Quand vous rognez un clip, vous verrez une forme d'onde agrandie dans la timeline. Une fois le rognage terminé, les clips dans la timeline reprendront leur taille normale.



L'affichage Audio Trim agrandit la forme d'onde dans la timeline

Après avoir monté vos clips avec la page Cut, vous pouvez insérer un titre. La section suivante vous montrera comment ajouter un titre.

Ajouter des titres

Il est très facile d'insérer différents types de titres dans votre timeline.

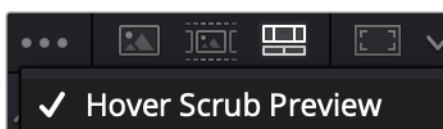
Pour cela, cliquez sur l'onglet **Titres** en haut à gauche de l'écran. La fenêtre de sélection affichera la liste de tous les types de titres disponibles sous la forme de vignettes. Vous pouvez choisir un texte à afficher sur le tiers inférieur, en défilement, ou encore un texte standard. Vous pouvez même ajouter des titres animés Fusion personnalisables.

Prévisualiser les titres

Avant d'ajouter un titre à votre timeline, vous pouvez le visionner depuis la fenêtre de sélection **Titres**. Cela vous permet de parcourir rapidement les différentes options avant de faire votre choix.

Pour prévisualiser un titre :

- 1 Cliquez sur le menu d'options en haut à droite de la fenêtre des titres et cochez **Survol**.



Activez l'option Survol depuis le menu

- 2 Dans la fenêtre de sélection **Titres**, passez le curseur sur la vignette pour prévisualiser un titre dans le viewer. Si vous prévisualisez un titre animé ou Fusion, déplacez le curseur de gauche à droite sur la vignette du titre pour voir l'animation.



Survolez la vignette d'un titre pour le prévisualiser dans le viewer

Une fois le titre sélectionné, vous pouvez l'ajouter à votre timeline.

Pour ajouter un titre standard :

- 1 Cliquez sur le titre et faites-le glisser dans la timeline. La timeline n'a pas d'importance, mais pour plus de précisions, utilisons la timeline détaillée. Le titre créera automatiquement une nouvelle piste vidéo pour le titre et s'aimantera à la tête de lecture.
- 2 Relâchez la souris et le titre apparaîtra sur la nouvelle piste. Vous pouvez désormais le déplacer ou changer sa durée, comme pour un clip vidéo.
- 3 Pour modifier un titre, cliquez sur celui-ci, puis sur l'icône **Outils** sous le viewer du clip.
Une liste d'outils s'affichera pour modifier le titre du clip, comme Transformation, Rogner, Zoom dynamique et bien plus.
- 4 Cliquez maintenant sur l'onglet Inspecteur.

La fenêtre de l'Inspecteur va s'ouvrir et vous pourrez saisir le titre et configurer le tracking, l'espacement entre les lignes, la police, la couleur et autres réglages.

Vous avez de nombreuses options à disposition pour personnaliser votre titre. Nous vous conseillons de jouer avec les différents réglages pour voir comment cela modifie le titre.

CONSEIL Vous pouvez aussi utiliser la fonction Survol pour prévisualiser des effets, des transitions, des générateurs et des filtres dans les pages **Cut** et **Montage**.

Travailler avec des fichiers Blackmagic RAW

Les clips Blackmagic RAW offrent une grande flexibilité en post-production. Cela vous permet de faire des changements sur les clips, tels que la balance des blancs et l'ISO, comme si vous les faisiez dans les paramètres de la caméra. Le Blackmagic RAW offre également davantage d'informations tonales dans les ombres et dans les hautes lumières. Ceci est particulièrement utile pour récupérer les détails d'un ciel surexposé ou dans les zones d'ombre de l'image.

Si vous souhaitez obtenir la meilleure qualité possible ou si vous tournez des séquences comportant des contrastes importants entre les hautes lumières et les zones d'ombre, le Blackmagic RAW répondra parfaitement à vos exigences.

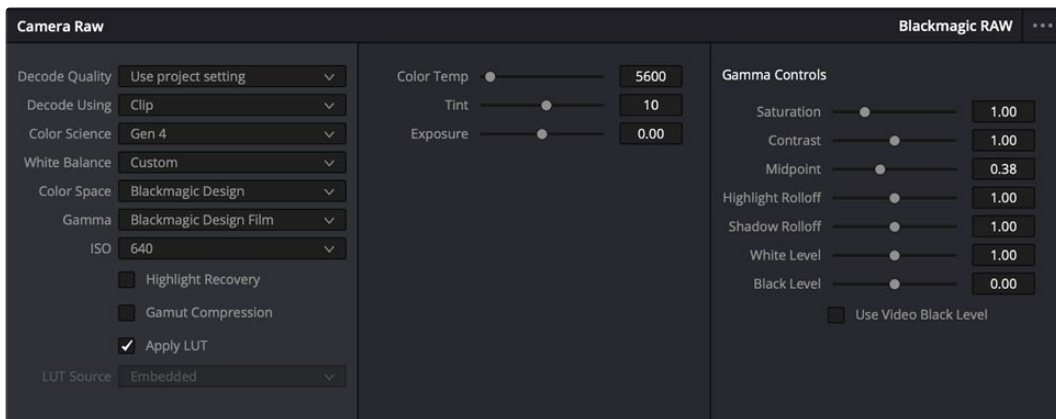
Grâce à la vitesse et à la petite taille de fichier du Blackmagic RAW, il n'est pas nécessaire de créer des fichiers proxy. La lecture est donc identique à celle d'un clip vidéo standard. Cette section du manuel décrit les fonctionnalités du Blackmagic RAW et la façon d'utiliser les fichiers Blackmagic RAW dans votre workflow DaVinci Resolve.

CONSEIL Nous vous recommandons d'ajuster les réglages Blackmagic RAW pour vos clips sur la page **Étalonnage** avant de les étalonner.

Paramètres des clips pour le Blackmagic RAW

Quand vous importez des fichiers Blackmagic RAW, DaVinci Resolve décode les données de la caméra contenues dans les fichiers, notamment l'ISO, la balance des blancs et la teinte. Si les images vous plaisent, vous pouvez d'ores et déjà commencer le montage.

L'avantage de travailler au format Blackmagic RAW, c'est que vous pouvez changer ces réglages! En effet, le nombre d'options pour le traitement des fichiers Blackmagic RAW vous permet de mettre au point votre propre workflow. En utilisant les paramètres **Plan** de diverses façons pour chaque clip dans l'onglet **Caméra RAW**, vous comprendrez à quel point le travail en Blackmagic RAW est performant et polyvalent.



Dans l'onglet **Caméra RAW**, sélectionnez **Plan** dans le menu **Dématricer avec** pour régler les paramètres Blackmagic RAW des clips.

Changer les paramètres Blackmagic RAW

Une fois que les paramètres des clips pour le Blackmagic RAW sont activés dans DaVinci, ces derniers ainsi que les commandes de gamma sont modifiables. Ajuster ces paramètres pour optimiser vos clips équivaut presque à un étalonnage primaire. C'est encore plus performant lorsque vous utilisez les scopes de DaVinci Resolve, car ils vous permettent de neutraliser et d'équilibrer les clips pour les préparer à un étalonnage plus poussé.

Vous trouverez ci-dessous une description des commandes relatives aux clips et au gamma.

ISO

La valeur ISO peut être modifiée en augmentant ou en diminuant ce paramètre. C'est très utile pour éclaircir ou assombrir le clip et ensuite l'optimiser.

Récupération des hautes lumières

Cochez cette case pour récupérer des informations dans les hautes lumières dans les canaux écrêtés en utilisant les informations des canaux non écrêtés.

Compression du gamut

Cochez la case pour maintenir automatiquement des niveaux de gamut adaptés.

Température de la couleur

Ajustez la température de la couleur pour réchauffer ou refroidir les tons de l'image. Ce paramètre peut être utilisé pour neutraliser la balance des couleurs de chaque image.

Teinte

Ajustez ce paramètre pour ajouter du vert ou du magenta à l'image afin d'équilibrer les couleurs.

Exposition

Utilisez ce paramètre pour affiner la luminosité générale de l'image.

Saturation

Le curseur de saturation est réglé sur 1 par défaut. Vous pouvez la réduire jusqu'à 0 pour une saturation minimale et l'augmenter jusqu'à 4 pour une saturation maximale.

Contraste

Le curseur de contraste est réglé sur 1 par défaut. Vous pouvez le réduire jusqu'à 0 pour un contraste minimal et l'augmenter jusqu'à 2 pour un contraste maximal.

Point central

En mode Blackmagic Design Film, la valeur des tons moyens est réglée par défaut sur 0.38 ou 38.4%. Ajustez le curseur vers la gauche pour la réduire ou vers la droite pour l'augmenter jusqu'à 100%. Lorsque le contraste n'est pas réglé par défaut, vous pouvez modifier le roll-off des hautes lumières et des ombres.

Affaiblissement des hautes lumières

Le curseur d'ajustement des hautes lumières est réglé sur 1 par défaut. Vous pouvez les atténuer jusqu'à 0 en déplaçant le curseur vers la gauche, ou les augmenter jusqu'à 2 en déplaçant le curseur vers la droite. Par défaut, ce paramètre est réglé sur 1.

Affaiblissement des basses lumières

Ajustez le curseur vers la gauche pour réduire les ombres à 0 ou vers la droite pour les augmenter à 2.

Niveau blancs

Ajustez le point blanc de la courbe de gamma en déplaçant le curseur. Les valeurs maximales et minimales sont respectivement de 2 et 0. Par défaut, ce paramètre est réglé sur 1.

Niveau noirs

Ajustez le point noir de la courbe de gamma en déplaçant le curseur. Les valeurs maximales et minimales sont respectivement de 1 et -1. La valeur par défaut est de 0.

Utiliser les niveaux vidéo de noir

Cochez cette case pour régler vos niveaux de noir sur Video.

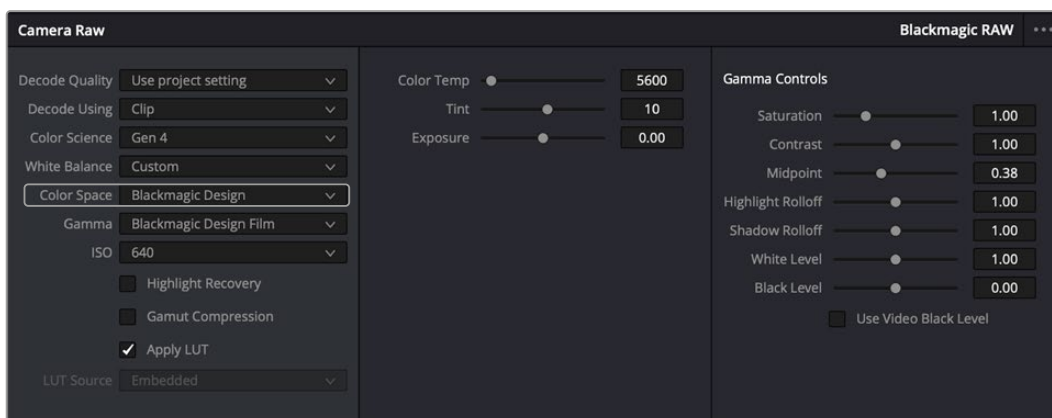
Exporter l'image

En cliquant sur le bouton **Exporter l'image**, vous pouvez exporter une seule image du clip Blackmagic RAW.

Mettre à jour le sidecar

Cliquez sur ce bouton pour mettre à jour le fichier sidecar Blackmagic RAW pour le clip actuel.

Lorsque vous effectuez des modifications sur vos clips Blackmagic RAW, le paramètre Gamma sera réglé sur Blackmagic Design Custom.



Si vous souhaitez restaurer vos clips sur un paramètre Gamma par défaut, sélectionnez une option dans le menu déroulant

CONSEIL Les commandes Gamma sont désactivées lorsque vous filmez avec une plage dynamique Video, mais vos données Blackmagic RAW ne sont pas perdues. Sélectionnez Blackmagic Design Film ou Blackmagic Design Extended Video depuis le menu déroulant du paramètre Gamma et effectuez vos ajustements.

Sauvegarder les changements Blackmagic RAW :

- 1 Réglez les commandes Gamma pour votre clip Blackmagic RAW.
- 2 Cliquez sur le bouton **Mettre à jour le sidecar**.

Un fichier **Sidecar** est créé dans le même dossier que votre fichier .braw. Lorsqu'un autre utilisateur importe les fichiers Blackmagic RAW, le fichier sidecar sera automatiquement lu par DaVinci Resolve. Si vous effectuez des modifications supplémentaires, appuyez une nouvelle fois sur **Mettre à jour le sidecar**.

CONSEIL Pour supprimer un fichier sidecar, effacez-le de son emplacement dans votre lecteur de média.

Paramètres du projet pour le Blackmagic RAW

Si vous souhaitez modifier un paramètre commun à tous les clips, par exemple la balance des blancs ou l'ISO, vous pouvez régler les clips afin qu'ils utilisent les paramètres **Caméra RAW** du projet. Vous pourrez ainsi apporter des changements à plusieurs clips en même temps.

Régler les paramètres du projet pour le Blackmagic RAW :

- 1 Ouvrez le menu de paramétrage du projet, en cliquant sur **Fichier** puis sur **Paramètres du projet**.
- 2 Dans l'onglet **Caméra RAW**, vous trouverez un menu près du profil RAW. Cliquez sur la flèche pour sélectionner Blackmagic RAW depuis la liste.
- 3 Dans le menu **Dématriker avec**, sélectionnez **Projet**.
- 4 Sélectionnez une colorimétrie depuis le menu.
- 5 Réglez **Balance des blancs** sur **Personnaliser**.
- 6 Dans le menu **Gamma**, sélectionnez **Blackmagic Design Custom**. Réglez l'espace colorimétrique sur **Blackmagic Design**.

- 7 Choisissez votre résolution dans le menu **Qualité de dématricage**. Une basse résolution vous permettra d'améliorer la lecture sur des systèmes aux performances limitées. Pour un rendu optimal, vous pouvez changer la résolution plus tard, avant l'exportation.

Vous pouvez désormais ajuster les paramètres de la caméra tels que la saturation, le contraste et les tons moyens. Cela s'appliquera à tous les clips du projet réglés sur **Dématricer avec Projet**.

Étalonner vos clips avec la page Étalonnage

Une fois vos clips dans la timeline et vos titres ajoutés, vous pouvez commencer à étalonner vos images depuis la page **Étalonnage**. C'est une page très puissante qui vous permettra de définir le look général de votre film. Pour cet exemple, il est conseillé de commencer par rendre vos clips neutres afin qu'ils soient consistants. Vous pouvez également retourner sur les pages **Cut** ou **Montage** à tout moment pour effectuer des modifications dans votre montage.

La page Étalonnage vous permet d'ajuster le look de votre montage. L'étalonnage est un art en soi à bien des égards, car il permet d'ajouter une réelle émotion à votre travail. C'est une partie extrêmement créative de votre workflow et, une fois les techniques acquises, il n'y a rien de plus gratifiant que de voir vos images prendre vie ! C'est généralement la première étape, appelée correction colorimétrique primaire. Ensuite, vous pourrez passer à la correction colorimétrique secondaire, où vous pourrez faire des ajustements de couleur extrêmement précis sur des objets spécifiques dans vos images. La correction colorimétrique secondaire est très amusante, mais comme son nom l'indique, elle est généralement effectuée dans un deuxième temps pour obtenir de meilleurs résultats.

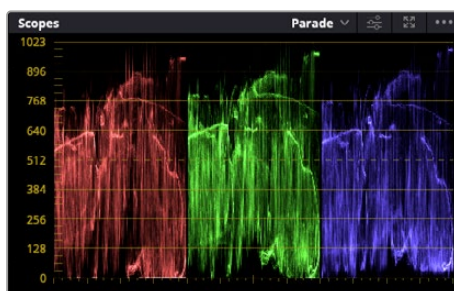
Commencez par cliquer sur l'onglet **Étalonnage** afin d'ouvrir la page Étalonnage.

Cette page contient les réglages Caméra RAW, les roues chromatiques, les palettes de courbes, des outils d'étalonnage de base ainsi qu'une fenêtre de prévisualisation et une fenêtre contenant les nœuds. Ne soyez pas intimidés par les nombreuses fonctionnalités proposées sur cette page, car elles sont là pour vous aider à obtenir des images époustouflantes. Dans cette section vous découvrirez les bases, mais pour des informations plus détaillées, veuillez consulter les sections spécifiquement dédiées à l'étalonnage dans le manuel. Il vous indiquera clairement à quoi ces outils servent et la façon de les utiliser. Vous apprendrez ainsi les techniques que les professionnels utilisent dans les studios d'étalonnage haut de gamme.

En général, la première étape de la correction colorimétrique primaire consiste à optimiser le niveau des ombres, des tons moyens et des hautes lumières dans vos clips. En d'autres termes, il faut ajuster les paramètres **Lift**, **Gamma** et **Gain**. Vous obtiendrez ainsi des images optimales pour débiter la phase d'étalonnage et obtenir l'esthétique souhaitée pour votre film. Les scopes s'avèrent très pratiques pour optimiser les niveaux.

Utiliser les scopes

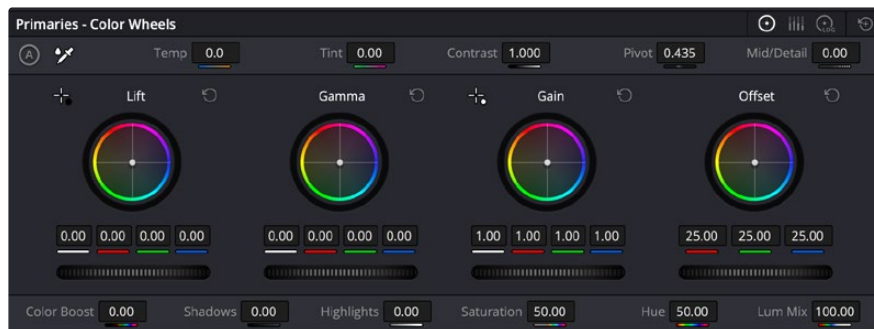
Les étalonneurs réalisent les corrections colorimétriques en fonction de l'émotion et du rendu qu'ils veulent donner aux programmes sur lesquels ils travaillent et n'utilisent en général qu'un simple écran pour effectuer les changements. Vous pouvez vous inspirer d'objets de tous les jours et la façon dont l'éclairage s'y reflète pour vos différents projets.



Le scope Parade vous permet d'optimiser les tons clairs, les tons moyens et les ombres

Mais il existe d'autres façons d'étalonner un film, notamment en s'aidant des scopes intégrés à DaVinci Resolve. Vous pouvez ouvrir un seul scope vidéo en cliquant sur le bouton **Scope** (le deuxième bouton à partir de la droite sur la barre d'outils). Vous pouvez choisir entre les scopes suivants : Forme d'onde, Parade, Vecteurscope, Histogramme ou Coordonnées chromatiques CIE. Grâce à ces scopes, vous pouvez contrôler l'équilibre des tons, les différents niveaux de la vidéo sans écraser les noirs ni écrêter les blancs, mais aussi contrôler la dominance des couleurs de vos clips.

La palette **Roues chromatiques** contient les commandes **Lift**, **Gamma** et **Gain** qui vous permettent d'effectuer les premiers ajustements. Si vous avez déjà fait de l'étalonnage, ces roues chromatiques ressemblent sûrement aux commandes que vous avez pu voir dans d'autres applications pour ajuster les couleurs et le contraste.



Les roues chromatiques **Lift**, **Gamma**, **Gain** et **Offset** vous offrent un contrôle complet sur l'équilibre des couleurs et des tons de vos clips. Pour régler toutes les couleurs de façon identique, tournez la roue située sous les roues chromatiques



Les barres primaires permettent d'apporter des ajustements colorimétriques plus facilement avec une souris

Pour un contrôle précis de chaque couleur, utilisez la souris. Vous pouvez régler les roues chromatiques sur **Barres primaires**, ce qui vous permet de régler séparément les canaux de couleurs et de luminance pour le lift, le gamma et le gain. Sélectionnez simplement **Barres primaires** dans le menu déroulant situé en haut à droite des roues chromatiques.

Ajuster le Lift

Après avoir sélectionné votre clip dans la timeline de la page **Étalonnage**, cliquez sur la roue **Lift** située sous la première roue chromatique. Faites-la tourner vers la gauche ou vers la droite pour constater les modifications apportées à l'image. Vous verrez que la luminosité des zones d'ombres de votre image augmente et diminue.

Réglez-la afin d'optimiser les zones d'ombres. Si vous baissez trop le Lift, certains détails des noirs disparaissent. Utilisez le scope Parade pour éviter que cela ne se produise. La position optimale des noirs sur le graphique se situe juste au-dessus de la ligne inférieure du scope Parade.

Ajuster le Gain

Cliquez sur la roue **Gain** et faites-la tourner vers la gauche ou vers la droite. Cette roue règle les tons clairs, zones les plus lumineuses de l'image. Les tons clairs sont affichés dans la section supérieure du graphique dans le scope Parade. Pour une scène très lumineuse, la position optimale se situe

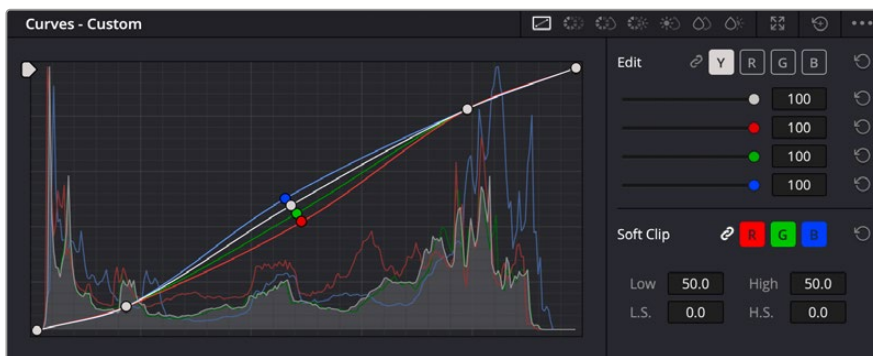
juste en dessous de la ligne supérieure du scope Oscilloscope. Si les tons clairs dépassent la ligne supérieure de ce scope, ils sont écrêtés et les zones les plus claires perdent alors beaucoup de détails.

Ajuster le Gamma

Cliquez sur la roue **Gamma** située sous la roue chromatique et faites-la tourner vers la gauche ou vers la droite. Si vous augmentez le gamma, la luminosité de l'image augmente et en fonction du réglage, la partie centrale de la roue change également. Cette partie représente les tons moyens du clip. La position optimale des tons moyens se situe généralement entre 50 et 70 % de l'affichage de la forme d'onde. Ceci n'est qu'une indication, car le réglage dépend surtout du rendu que vous souhaitez obtenir et des conditions d'éclairage du clip.

Vous pouvez également utiliser la palette Courbes pour faire vos corrections colorimétriques primaires. Pour créer des points de contrôle, il suffit de cliquer sur la ligne diagonale dans le graphique Courbes. Vous pouvez ensuite les déplacer vers le haut ou vers le bas pour ajuster le contraste RVB principal et obtenir différentes tonalités dans l'image. Le réglage optimal se situe dans le champ du tiers inférieur, du milieu et du tiers supérieur de la courbe.

Il existe différentes façons de faire de la correction colorimétrique primaire dans DaVinci Resolve.



La palette Courbes est un autre outil que vous pouvez utiliser pour faire de la correction colorimétrique primaire ou pour travailler certaines zones du clip avec une Power Window

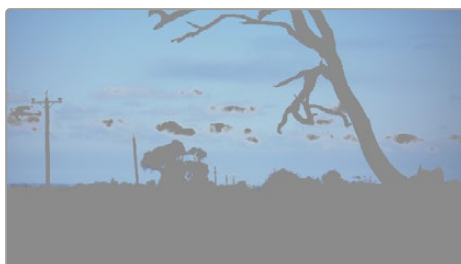
Correction colorimétrique secondaire

Si vous souhaitez corriger une partie spécifique de l'image, vous devrez utiliser les corrections secondaires. Les corrections que vous avez apportées jusqu'à présent à l'aide des réglages Lift, Gain et Gamma affectent l'intégralité de l'image, il s'agit donc de corrections colorimétriques primaires.

Cependant, si vous ne voulez modifier que certaines parties de l'image, comme la couleur de l'herbe dans une scène, ou la couleur du ciel, il faut alors utiliser les fonctions de correction colorimétrique secondaire. En effet, ces fonctions permettent de sélectionner et de ne modifier qu'une partie de l'image. Grâce aux nœuds, vous pouvez superposer plusieurs corrections et ainsi travailler l'image à la perfection ! Vous pouvez également utiliser les fenêtres et le tracking pour que la correction suive la partie de l'image sélectionnée.

Sélection d'une couleur

Vous avez sans doute pu constater qu'il est souvent nécessaire de changer la couleur d'un seul élément de l'image, par exemple l'herbe sur le côté de la route, le bleu du ciel, ou tout autre élément sur lequel vous souhaitez attirer le regard du spectateur. Pour effectuer ces modifications, il est utile d'utiliser l'outil sélecteur HSL.



Utiliser les sélecteurs HSL pour sélectionner les couleurs de vos images est très pratique lorsque vous voulez mettre en valeur certaines zones de l'image, ajouter du contraste ou attirer l'attention des spectateurs sur une partie de l'image.

Pour sélectionner une couleur :

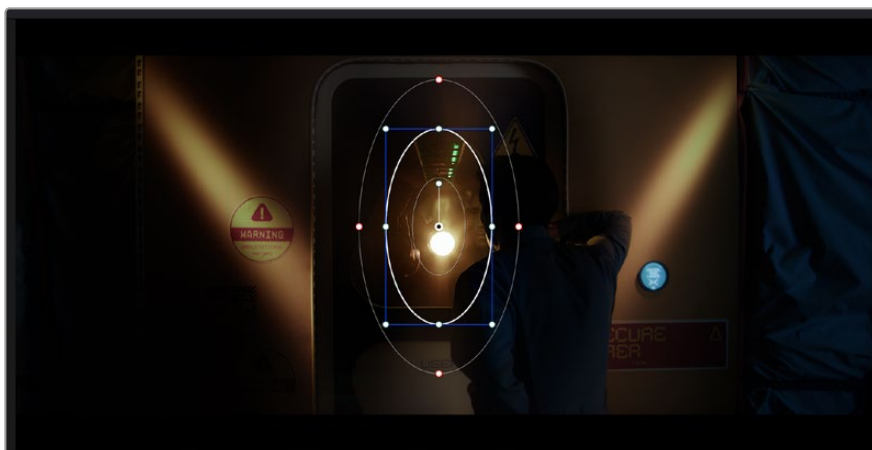
- 1 Créez un nouveau nœud Série.
- 2 Ouvrez la palette **Sélecteur** et vérifiez que la pipette d'échantillonnage **Plage de sélection** est bien sélectionnée.
- 3 Cliquez sur la couleur du clip que vous souhaitez modifier.
- 4 Il est en général nécessaire d'adoucir les contours afin de limiter la sélection à la couleur souhaitée. Pour visualiser votre sélection, cliquez sur le bouton **Masque** situé au-dessus du viewer.
- 5 Dans la fenêtre **Teinte**, réglez la commande **Largeur** pour élargir ou réduire la sélection.

Amusez-vous avec les commandes **Haut**, **Bas** et **Soft** afin d'affiner votre sélection. Vous pouvez désormais corriger les couleurs sélectionnées à l'aide des roues chromatiques ou des courbes personnalisées.

Parfois, les zones de sélection peuvent déborder sur des zones que vous ne souhaitez pas modifier. Il est alors facile de masquer ces zones à l'aide des Power Windows. Créez simplement une nouvelle Power Windows et donnez-lui la forme de la zone que vous souhaitez modifier. Si la couleur sélectionnée bouge au cours de la prise, vous pouvez utiliser la fonction de tracking pour suivre la Power Window.

Ajouter une Power Window

Les Power Windows sont des outils de correction colorimétrique extrêmement efficaces que vous pouvez utiliser pour isoler certaines zones de vos clips. Ces fenêtres dynamiques suivent les mouvements de la caméra ou des zones sélectionnées.



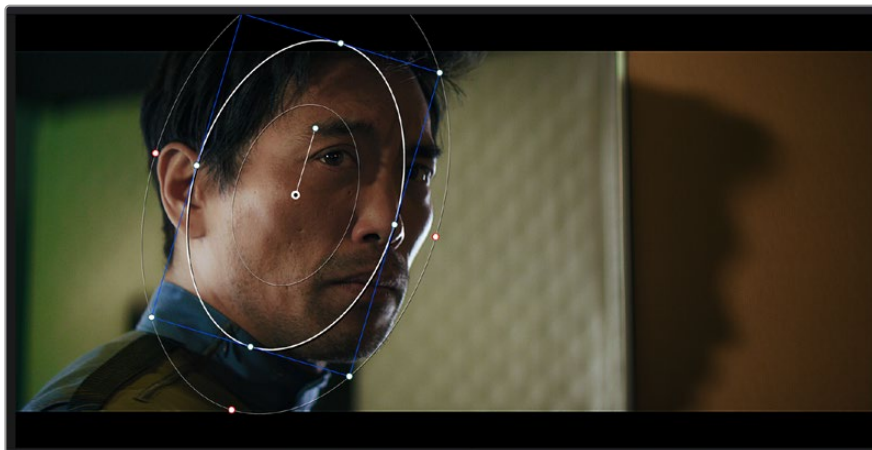
Utilisez les Power Windows pour masquer les zones que vous ne souhaitez pas modifier avec les sélecteurs HSL

Vous pouvez, par exemple, créer une fenêtre qui suivra les mouvements d'une personne afin de changer le contraste et les couleurs sans affecter les zones alentour. Grâce à ces modifications, vous attirez l'attention du spectateur vers la zone de votre choix.

Ajouter une Power Window à votre clip :

- 1 Créez un nouveau nœud Série.
- 2 Ouvrez la palette **Power Window** et sélectionnez la forme en cliquant sur l'une d'entre elles. La fenêtre de la forme apparaît sur le nœud.
- 3 Redimensionnez la forme à l'aide des points bleus qui entourent la forme. Les points rouges permettent de régler le flouté du contour. Vous pouvez repositionner correctement la forme à l'aide du point central. Faites pivoter la fenêtre à l'aide du point relié au point central.

Vous pouvez désormais corriger les couleurs de la zone sélectionnée.



Les Power Windows vous permettent d'effectuer des corrections secondaires sur certaines zones de l'image.

Tracking d'une Power Window

Lorsque la caméra, l'objet ou la zone de votre prise bougent, utilisez l'outil de tracking disponible dans DaVinci Resolve pour garantir le tracking complet de la zone sélectionnée. Le Tracker analyse les mouvements de la caméra ou de l'objet pour que la fenêtre s'adapte à ces mouvements. Si vous n'activez pas cette fonction, la correction pourrait ne pas s'appliquer à la zone sélectionnée et produire un effet indésirable.



Pour que les Power Windows suivent les mouvements de certains objets ou certaines zones du clip, vous pouvez créer un suivi à l'aide de la fonction Tracking

En plus des ajustements d'alignement listés ci-dessus, le lecteur prend également en charge :

- 1 Créez un nouveau nœud série et ajoutez une Power Window.

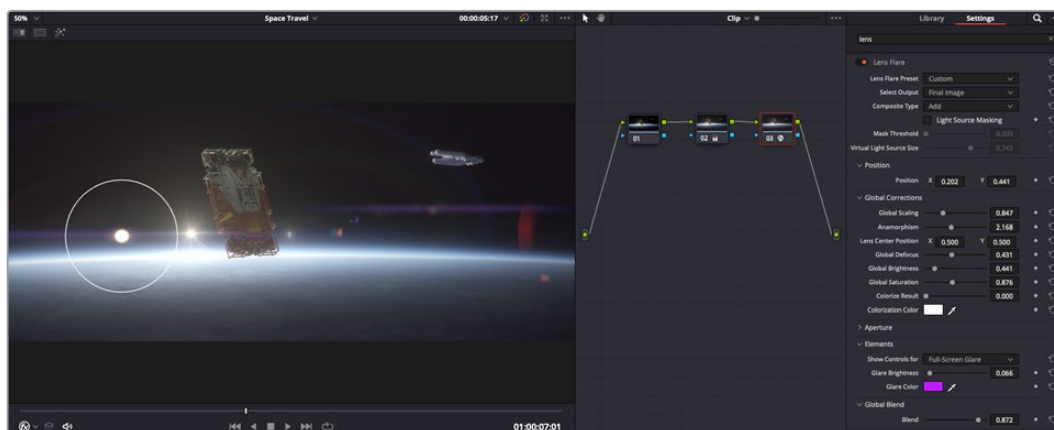
- 2 Placez le curseur au début du clip, puis positionnez et dimensionnez la fenêtre pour ne sélectionner que l'objet ou la zone souhaités.
- 3 Ouvrez la palette **Tracker**. Cochez ou décochez les cases Pan, Tilt, Zoom et Perspective 3D en fonction des mouvements du clip.
- 4 Cliquez sur la flèche de lecture située à gauche des cases de sélection. DaVinci Resolve applique un ensemble de points de suivi à votre clip qui analyse les mouvements de chaque image. Lorsque le suivi est terminé, la Power Window suit le mouvement de l'objet dans le clip.

En général, le suivi automatique fonctionne sans problème, cependant, certaines scènes peuvent être complexes ou des objets peuvent se trouver devant la zone sélectionnée et ainsi interrompre ou affecter le suivi. Ce problème peut être résolu à l'aide de l'éditeur d'image. Consultez le manuel DaVinci Resolve pour en savoir plus.

Utilisation de plug-ins

Les corrections colorimétriques secondaires peuvent être effectuées à l'aide de plug-ins Resolve FX ou Open FX, qui permettent de créer des rendus rapides et des effets innovants au sein de la page **Étalonnage**. Il est également possible d'ajouter des transitions et des effets à vos clips au sein des pages **Cut** et **Montage**. Les effets Resolve FX sont fournis avec DaVinci Resolve. Les plug-ins OFX sont disponibles sur des sites fournisseurs tiers.

Vous pouvez accéder aux plug-ins OFX, une fois installés, et aux plug-ins Resolve FX, en allant sur la page **Étalonnage** et en ouvrant le panneau Open FX (situé à droite de l'éditeur de nœuds). Une fois que vous avez créé un nouveau nœud Série, cliquez sur le bouton **Open FX** pour ouvrir la bibliothèque d'effets, puis faites glisser un plug-in dans le nœud. Si le plug-in dispose de paramètres modifiables, vous pouvez le configurer dans le panneau **Paramètres** situé sur le côté.



Les plug-ins OFX sont des solutions rapides et faciles pour créer des rendus créatifs et innovants.

Dans la page **Montage**, vous pouvez ajouter des plug-ins filtres, générateurs et transitions aux clips en ouvrant le panneau **Open FX** dans **Bibliothèque d'effets**. Faites ensuite glisser le plug-in sélectionné sur le clip ou sur la piste au-dessus du clip dans la timeline, selon les besoins du plug-in.

Mixer l'audio dans la page Montage

Une fois le montage et l'étalonnage finalisés, vous pouvez commencer à mixer l'audio. DaVinci Resolve possède de nombreux outils pour le montage, le mixage et le mastering audio de vos projets, accessibles directement sur la page Montage. Si vous avez besoin de fonctionnalités audio plus avancées, la page Fairlight vous offre un environnement de post-production audio complet. Si vous êtes familier avec la page Montage et que vous souhaitez directement passer à la page Fairlight, consultez la section suivante.

Ajouter des pistes audio

Si vous travaillez sur la page Montage et que vous souhaitez ajouter des effets et de la musique à un montage son, vous pouvez facilement ajouter des pistes audio selon vos besoins. C'est très pratique lorsque vous voulez séparer vos éléments audio en plusieurs pistes indépendantes, comme les dialogues, les effets sonores et la musique.

Pour ajouter des pistes audio dans la page Montage

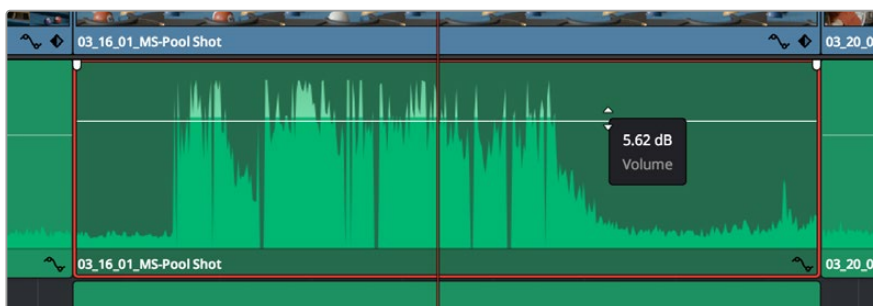
Faites un clic droit à côté du nom de n'importe quelle piste audio de votre timeline, sélectionnez **Ajouter une piste** et choisissez entre les options **Mono**, **Stéréo** et **5.1**. Cette piste sera alors ajoutée en bas de la liste de pistes. Si vous voulez choisir la position de la piste ou de plusieurs pistes dans la liste, sélectionnez **Ajouter une piste** puis choisissez l'emplacement.

La nouvelle piste audio apparaît sur la timeline.

CONSEIL Pour changer le type de piste après l'avoir créée, faites un clic droit sur le nom de la piste, sélectionnez **Mettre la piste en**, puis choisissez le type de piste audio de votre choix. Par exemple, Stéréo, Mono ou 5.1.

Ajuster les niveaux audio dans la Timeline

Le niveau du volume de chaque clip audio est affiché. Vous pouvez l'ajuster en montant ou en descendant le pointeur. Cet affichage correspond aux paramètres de volume de l'inspecteur.

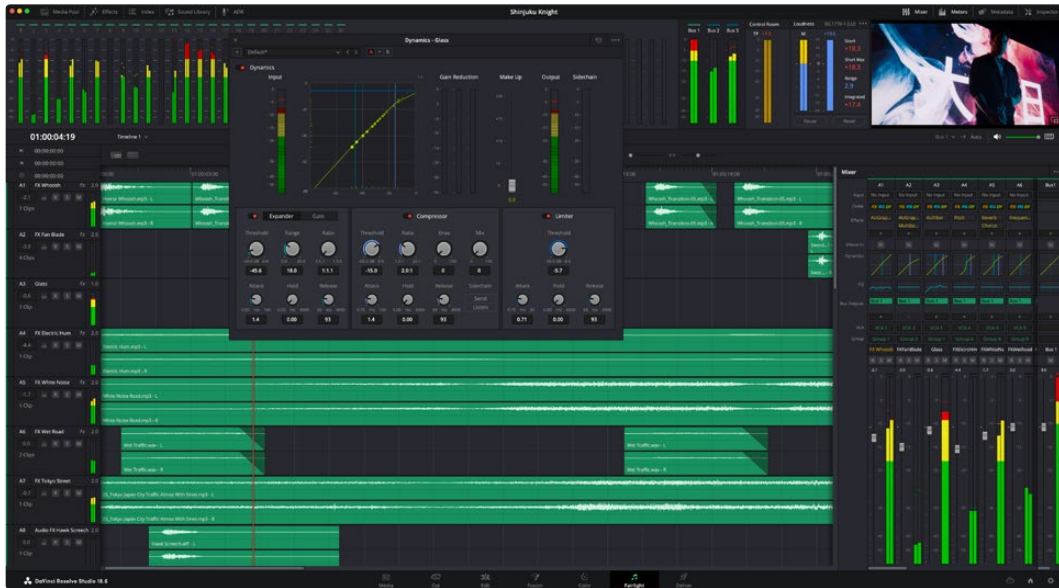


Ajuster le niveau du clip en faisant glisser le pointeur de volume

Si vous avez besoin de fonctionnalités audio plus avancées, la page Fairlight vous offre un environnement de post-production audio complet.

La page Fairlight

La page **Fairlight** de DaVinci Resolve vous permet d'ajuster vos projets audio. Lorsque vous travaillez avec un seul viewer, la page Fairlight vous offre un affichage optimisé des pistes audio de votre projet. Vous disposez d'un mixeur complet et de commandes de monitoring personnalisées qui vous permettent d'évaluer et d'ajuster les niveaux audio pour créer un mix fluide et harmonieux. Ne vous laissez pas intimider par le nombre de fonctionnalités présentes, tous ces outils ont été conçus pour vous aider à livrer un rendu audio de la meilleure qualité possible.



Ce guide offre un aperçu général des fonctionnalités de la page Fairlight. Pour plus d'informations, veuillez consulter le manuel d'utilisation DaVinci Resolve. Le manuel DaVinci Resolve apporte des informations détaillées sur la fonction de chaque outil et explique comment les utiliser, étape par étape.

La timeline audio

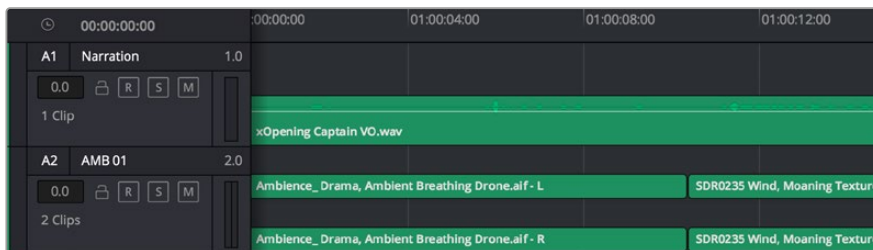
La timeline audio affiche les canaux et pistes audio de la timeline sélectionnée dans une disposition d'un canal par piste. Cet affichage est idéal pour le mixage et le sweetening audio.

En-tête de piste

À gauche de chaque piste, vous trouverez un espace pour l'en-tête affichant le numéro, le nom et la couleur de la piste, les canaux audio, la valeur du fader et les indicateurs audio. L'en-tête de piste offre également des commandes pour verrouiller et déverrouiller des pistes et pour sélectionner les modes Solo et Mute. Ces commandes vous permettent de visualiser chaque piste séparément et de les organiser.

Pistes

Chaque piste est divisée en voies, ce qui vous permet de visionner chaque canal du clip audio pour le montage et le mixage. Vous ne trouverez pas ces canaux individuels sur la page Montage. En effet, cette dernière n'affiche qu'un seul clip sur la timeline afin de faciliter le montage de sources multicanaux sans avoir à gérer un nombre de pistes trop important.



L'en-tête de piste de la piste A1 affiche une piste mono avec une seule voie pour l'audio mono. La piste A2 affiche quant à elle une piste stéréo comprenant deux voies pour l'audio stéréo.

Qu'est-ce qu'un bus ?

Un bus est un canal de destination comprenant des sources audio regroupées en un seul canal, contrôlable via une seule bande de canal. Fairlight crée automatiquement un bus pour vous, et toutes les pistes audio de votre timeline sont envoyées vers ce bus par défaut. Ainsi, vous pouvez ajuster le niveau global de votre mix audio une fois que vous avez ajusté le niveau de chaque piste individuellement.

Si votre montage est un peu plus complexe, vous pouvez créer davantage de bus et regrouper plusieurs pistes audio qui appartiennent à la même catégorie, comme les dialogues, la musique ou les effets. Ainsi, tous les éléments d'une même catégorie peuvent être mixés comme un signal audio unique. Par exemple, si vous avez cinq pistes de dialogue, vous pouvez acheminer le signal de ces cinq pistes vers un autre bus, et vous pourrez ainsi mixer le niveau des dialogues avec une commande unique.

La structure de Fairlight Flexbus vous offre une flexibilité complète sur les différents types de bus et les signaux de routage, dont les options bus-to-bus, track-to-bus et bus-to-track routing. Pour plus d'informations sur les réglages des bus audio dans Fairlight, veuillez consulter le manuel DaVinci Resolve.

Le mixeur

Chaque piste audio de la timeline correspond à une bande de canal dans le mixeur. Par défaut, il y a une seule bande de canal sur le côté droit de l'interface pour le bus par défaut, appelé **Bus 1**. À chaque bus que vous créez, une bande de canal supplémentaire s'ajoute sur le côté droit, accompagnée de commandes de contrôle. Plusieurs commandes, sous forme de graphiques, vous permettent d'assigner et d'acheminer des canaux de piste, d'ajuster les égaliseurs et les effets dynamiques, de régler les niveaux et d'enregistrer l'automation, de modifier l'emplacement d'un son dans l'image stéréo ou surround, et de choisir le mode muet ou solo pour chaque piste.

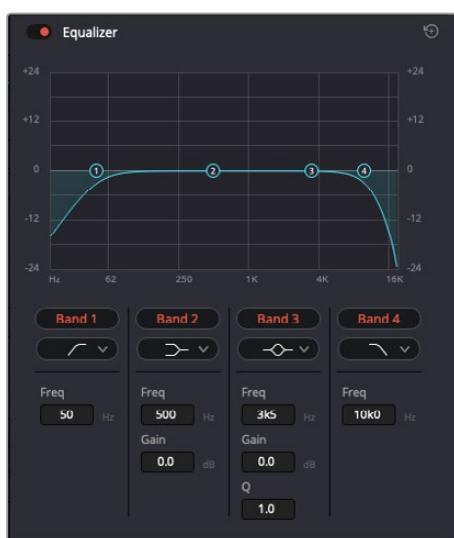


Les bandes de canal du mixeur audio, correspondant aux pistes de la timeline

Utiliser l'égaliseur pour améliorer l'audio

Après avoir réglé les niveaux audio de vos clips, vous pourriez avoir envie d'apporter des ajustements supplémentaires. Par exemple, il arrive que les dialogues, la musique et les effets sonores se retrouvent sur la même fréquence dans le spectre audio, ce qui rend votre audio trop chargé et confus. Dans ce cas-là, l'égaliseur s'avère très utile car il vous permet de spécifier où doit se situer chaque piste dans le spectre audio. Vous pouvez aussi utiliser l'égaliseur pour supprimer des éléments indésirés dans votre audio en isolant et en atténuant le niveau sur des fréquences spécifiques qui contiennent de légers grondements, des bourdonnements, des bruits de vent, des sifflements, ou simplement pour améliorer la qualité du son.

DaVinci Resolve est doté de filtres que vous pouvez appliquer sur chaque clip individuellement, ou sur une piste entière. Chaque clip audio de la timeline possède un égaliseur à 4 bandes dans le panneau de l'inspecteur, et chaque piste possède un égaliseur paramétrique à 6 bandes dans le mixeur. Grâce aux commandes graphiques et numériques qui permettent d'amplifier ou d'atténuer des plages de fréquences et grâce aux différents types de filtres, vous pouvez définir la forme de la courbe de l'égaliseur.



L'égaliseur à quatre bandes peut être appliqué à tous les clips de la timeline

Les bandes situées aux extrémités vous permettent d'ajuster les filtres high-shelve, low-shelve, passe-haut et passe-bas. Les filtres de type « passe » suppriment du signal toutes les fréquences supérieures ou inférieures à une fréquence donnée. Par exemple, un filtre passe-haut laissera passer les hautes fréquences mais isolera les basses fréquences. Toutes les fréquences au-delà de la fréquence de coupure sont progressivement atténuées en une courbe descendante.

Les filtres shelve sont moins agressifs et très utiles si vous souhaitez traiter les hautes ou les basses fréquences sans forcément toutes les supprimer du signal. Ils amplifient ou atténuent uniformément la fréquence ciblée et toutes les fréquences définies en dessous ou en dessus de celui-ci, selon si vous choisissez un filtre high ou low shelve.

Les commandes de contrôle des bandes situées au milieu vous permettent d'appliquer les filtres low shelve, bell, notch et high shelve.

Bell

Les filtres bell augmentent ou atténuent les fréquences qui se trouvent autour d'un certain point de la courbe en forme de cloche.

Notch

Les filtres notch vous permettent de cibler une plage très réduite de fréquences. Vous pourrez par exemple supprimer un bourdonnement dans une fréquence de 50 ou de 60Hz.

Low Shelf

Les filtres low shelf amplifient ou atténuent une fréquence basse cible, et toutes les fréquences qui se situent en dessous.

High Shelf

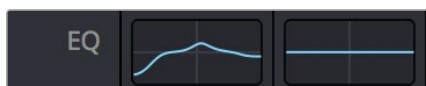
Les filtres high shelf amplifient ou atténuent une fréquence haute cible, et toutes les fréquences qui se situent en dessous.

Pour ajouter un égaliseur à un clip individuel :

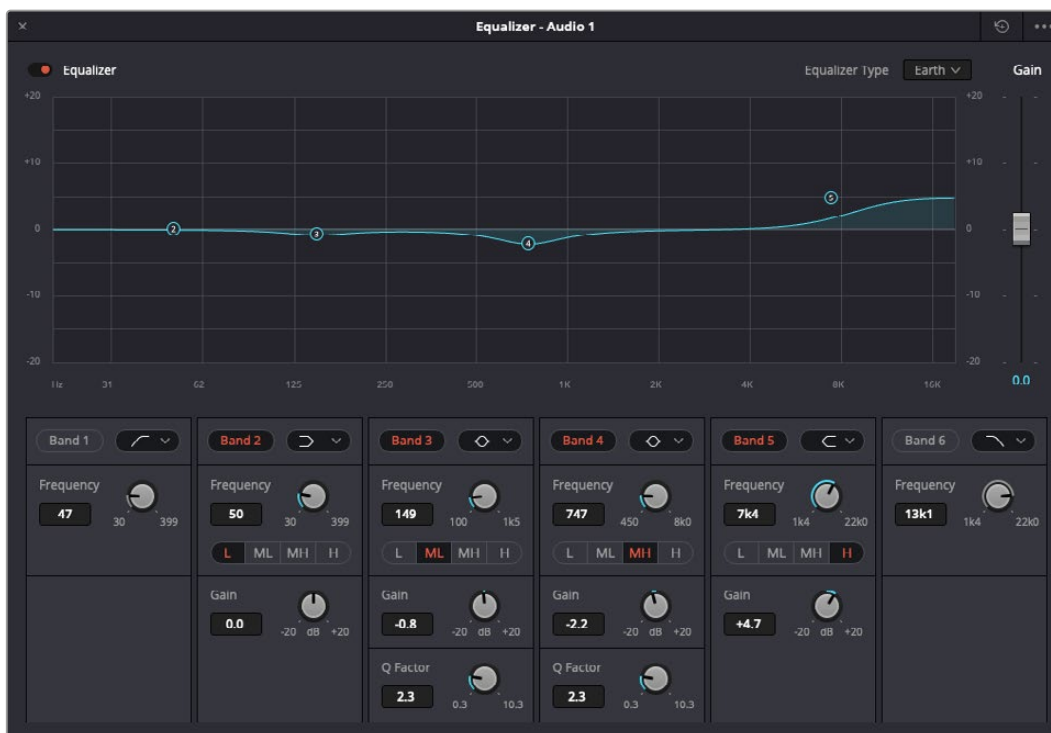
- 1 Sélectionnez le clip dans la timeline auquel vous voulez appliquer un filtre.
- 2 Cliquez sur l'inspecteur, puis sur le bouton d'activation de l'Égaliseur.

Pour ajouter un égaliseur à une piste :

- 1 Au niveau de l'égaliseur (EQ), double-cliquez sur la zone correspondante à la piste de votre choix, afin d'ouvrir l'égaliseur pour cette piste.
- 2 Choisissez le type de filtre à partir du menu déroulant pour la bande que vous souhaitez ajuster.



La zone de l'égaliseur dans le mixeur indique qu'une courbe a été appliquée sur la piste numéro une.



L'égaliseur paramétrique à 6 bandes peut être appliqué à toutes les pistes

Une fois que vous avez ajouté un égaliseur à votre clip ou à votre piste, vous pouvez égaliser chaque bande. Veuillez noter que les commandes peuvent varier selon le type de filtre sélectionné.

Pour régler l'égaliseur pour un filtre de bande :

- 1 Choisissez le type de filtre à partir du menu déroulant pour la bande que vous souhaitez ajuster.
- 2 Ajustez la valeur du paramètre Fréq. pour sélectionner la fréquence centrale du réglage de l'égaliseur.

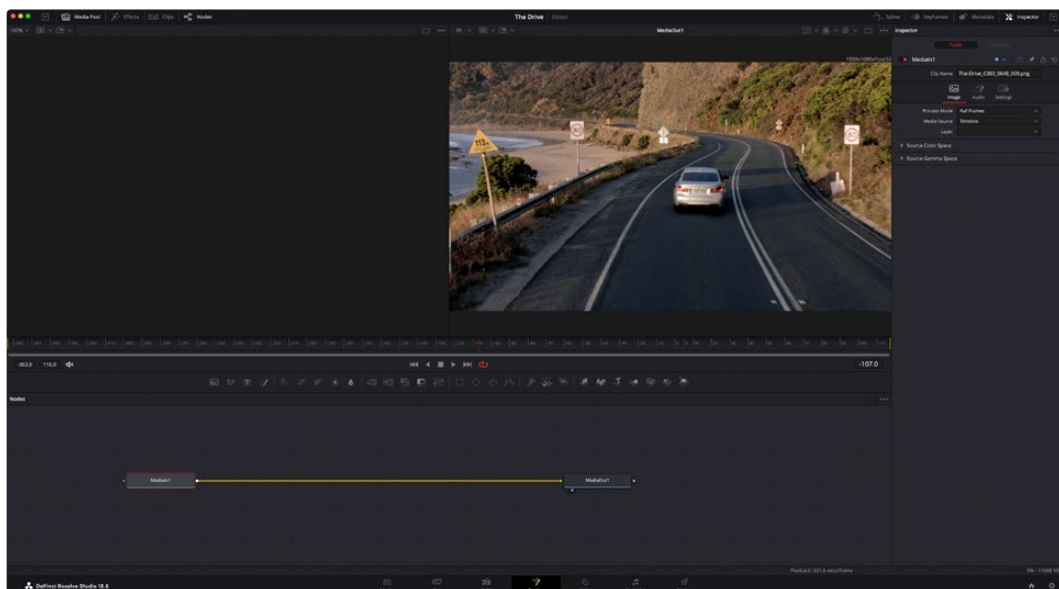
- 3 Ajustez la valeur du paramètre **Gain** pour amplifier ou atténuer les fréquences concernées par cette bande.
- 4 Utilisez la valeur du facteur **Q** pour ajuster la largeur de la plage des fréquences affectées.

Appuyez sur le bouton de réinitialisation pour rétablir toutes les commandes de l'égaliseur par défaut.

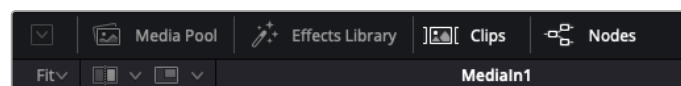
Fairlight possède de nombreuses fonctionnalités pour améliorer la qualité de chaque piste audio. Vous pouvez ajouter des pistes supplémentaires et organiser les bus, ajouter des effets tels que la réverbération et le délai, et apporter une amélioration générale à votre mix audio.

Ajouter des VFX et des compositions avec la page Fusion

Une fois le montage finalisé, vous pouvez ouvrir la page Fusion de DaVinci Resolve pour ajouter des effets visuels 2D ou 3D ainsi que des animations. Contrairement aux logiciels de compositing en couches, Fusion est doté d'une structure nodale qui vous offre la liberté de réaliser des effets complexes tout en acheminant les données d'image dans n'importe quelle direction. La fenêtre contenant les nœuds vous permet de voir tous les outils utilisés durant votre travail. Si vous avez utilisé la structure nodale sur la page Étalonnage, le workflow de Fusion vous sera familier.



La page Fusion se compose de deux viewers dans la partie haute de l'écran avec des commandes de transport pour visualiser vos médias, d'un inspecteur sur la droite pour accéder aux outils, et d'une fenêtre contenant les nœuds dans la partie basse pour créer vos compositions. Les viewers et les commandes de transport sont toujours apparents. En cliquant sur les icônes de la barre d'outils située tout en haut de l'écran, vous pouvez faire apparaître ou masquer les nœuds et l'inspecteur, ou encore révéler ou cacher d'autres fenêtres, comme la bibliothèque d'effets ou les éditeurs Spline et Images clés.



Bibliothèque de médias

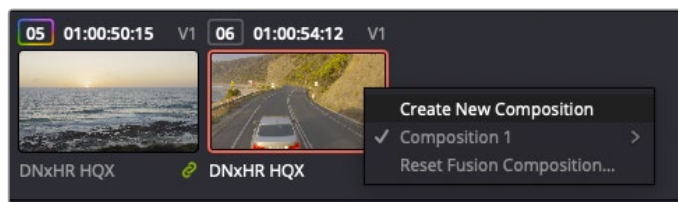
La bibliothèque de médias fonctionne de la même manière que celle de la page Étalonnage. Faites directement glisser les médias depuis les chutiers dans votre composition.

Bibliothèque d'effets

Dans la bibliothèque d'effets, vous trouverez les outils Fusion et les modèles rangés par catégories, dont les particules, les outils de tracking, les filtres et les générateurs. Vous pouvez cliquer sur un outil ou le faire glisser dans la fenêtre des nœuds pour l'ajouter à votre composition. La bibliothèque de médias et la bibliothèque d'effets se partagent le même espace sur l'écran. Vous pouvez les intervenir afin d'avoir plus de place pour les viewers.

Plans

En cliquant sur l'onglet Plans, vous pouvez afficher ou masquer les vignettes représentant les clips sur votre timeline. Les vignettes se trouvent sous l'éditeur de nœuds, ce qui vous permet d'aller d'un clip à un autre.



Vous pouvez créer une nouvelle version de votre composition en faisant un clic droit sur une vignette, puis en sélectionnant **Créer une nouvelle composition**.

Viewers

Les viewers sont toujours visibles et vous permettent d'accéder aux différentes vues de votre composition. Par exemple, une vue 3D globale via le nœud Merge 3D, une sortie caméra ou le rendu final. Ces viewers vous permettent également de voir comment vos modifications affectent un élément en particulier.

Pour choisir quels nœuds vous souhaitez visualiser, cliquez sur un nœud, puis tapez « 1 » pour l'envoyer sur le viewer de gauche, ou « 2 » pour le viewer de droite. Des boutons blancs s'affichent sous le nœud pour vous indiquer à quel viewer il est associé. Si vous utilisez un moniteur externe, un troisième bouton s'affichera pour acheminer votre média vers ce moniteur.

CONSEIL Vous pouvez également associer un nœud à un viewer en le faisant glisser directement dans celui-ci.

Les commandes de transport situées sous les viewers vous permettent d'aller au début ou à la fin du clip, de le lire d'avant en arrière, ou d'arrêter la lecture. La règle temporelle affiche les informations temporelles de l'ensemble du clip. Les indicateurs jaunes représentent les points d'entrée et de sortie.



Les indicateurs jaunes représentent les points d'entrée et de sortie de votre clip sur la timeline. Si vous travaillez avec un clip Fusion ou avec un clip composé, la règle temporelle affichera seulement la durée du clip tel qu'il apparaît sur la timeline, sans les poignées.

Nœuds

La fenêtre comportant les nœuds est au cœur de la page Fusion. C'est ici que vous allez construire la structure nodale en connectant les outils d'un nœud à un autre. La taille de cette fenêtre est plus ou moins grande selon l'éditeur ouvert sur l'écran, comme Spline ou Images clés. Les outils les plus utilisés s'affichent en haut de la fenêtre des nœuds pour vous permettre d'y accéder rapidement.

Spline

Lorsque vous cliquez sur l'éditeur Spline, ce dernier s'affiche sur la droite de la fenêtre de nœuds. Cet éditeur vous permet d'effectuer des ajustements précis pour chaque nœud. Vous pourrez par exemple adoucir une animation entre deux images clés à l'aide des courbes de Bézier.

Images clés

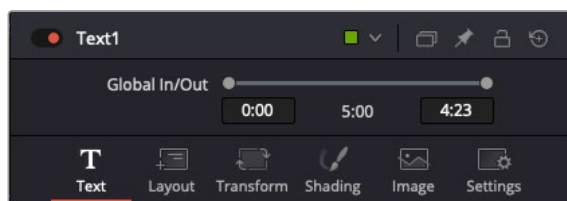
À l'aide de l'éditeur Images clés, vous pouvez ajouter, supprimer ou modifier des images clés pour chaque outil. La fenêtre Images clés s'affiche également sur la droite de la fenêtre de nœuds.

Métadonnées

La fenêtre Métadonnées affiche les métadonnées du clip actif, dont le codec, la fréquence d'images et le timecode.

Inspecteur

L'inspecteur situé en haut à droite de l'écran, affiche tous les paramètres et modificateurs disponibles pour un ou plusieurs nœuds sélectionnés. Des onglets supplémentaires, triés par catégorie, sont également affichés pour vous permettre d'accéder rapidement à d'autres paramètres pour les nœuds.

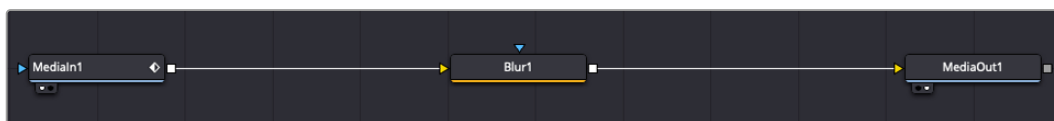


L'éditeur de texte de l'inspecteur offre des onglets supplémentaires pour le texte, la mise en forme, les ombres, les images et les paramètres.

Démarrer avec Fusion

Pour ouvrir la page Fusion, positionnez la tête de lecture sur un clip dans la timeline, puis cliquez sur l'onglet **Fusion**.

Ce clip apparaît immédiatement dans la fenêtre des nœuds en tant que média d'entrée, intitulé **MediaIn**. Chaque composition est constituée d'un nœud de média d'entrée **MediaIn**, et d'un nœud de média de sortie **MediaOut**. Le nœud MediaIn représente le clip d'entrée de votre timeline à la tête de lecture, et ignore les autres clips. Tous les ajustements effectués sur la page Montage, tels que l'utilisation des outils de transformation ou de rognage, sont inclus.



Le nœud MediaOut représente le nœud de sortie de votre timeline sur la page Montage.

CONSEIL Les plug-ins ResolveFX ou OFX appliqués aux clips dans la page Cut ou Montage ne sont pas répercutés sur la page Fusion. En effet, les effets de Fusion priment sur les traitements d'étalonnage et les plug-ins. Si vous souhaitez que les plug-ins OFX priment sur les effets Fusion, faites un clic droit sur le clip dans la page Montage et sélectionnez **Nouveau plan Fusion** avant de cliquer sur la page Fusion.

Comprendre les nœuds

Pour mieux comprendre la structure nodale, visualisez chaque nœud comme une icône représentant un outil ou un effet. Les nœuds sont connectés entre eux pour former la composition globale, c'est comme les ingrédients d'un gâteau ! Il est important de comprendre les entrées et les sorties de chaque nœud, car cela vous aidera à naviguer dans le flux de votre composition tout en créant des effets visuels précis.

Certains outils possèdent plusieurs entrées et sorties que vous pouvez connecter à d'autres nœuds. Par exemple, le nœud Merge vous permet de joindre une entrée d'avant-plan, une sortie d'arrière-plan et une entrée de masque pour les caches ou les incrustations.

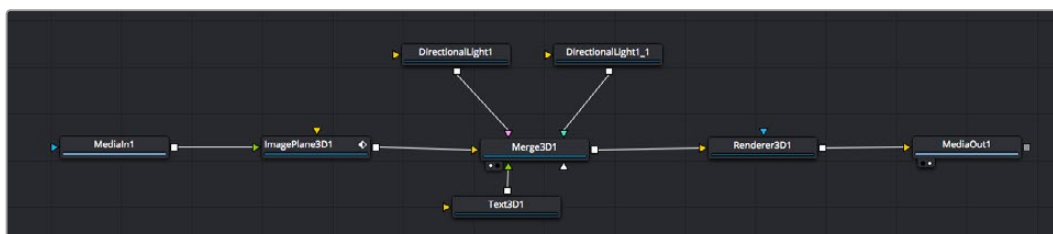


Le fait qu'un nœud possède plusieurs sorties signifie que vous pouvez le connecter à d'autres nœuds. Ainsi, contrairement aux structures en couches, vous n'avez pas besoin de dupliquer les clips. Les flèches entre les nœuds vous permettent de connaître la direction du flux des données d'image.

Ajouter des nœuds à l'éditeur de nœuds

Pour ajouter des effets, il vous suffit de placer des nœuds sur la ligne entre le nœud d'entrée et le nœud de sortie.

Il existe plusieurs façons de procéder. Vous pouvez maintenir le bouton Shift enfoncé et déposer un nœud entre deux autres nœuds. Vous pouvez également cliquer sur le nœud auquel vous souhaitez joindre un effet et sélectionner l'outil à ajouter, le nœud va automatiquement se connecter avec l'outil sélectionné. Enfin, vous pouvez ajouter un nœud n'importe où dans la fenêtre de nœuds et connecter manuellement la sortie d'un nœud à l'entrée d'un autre, à l'aide de votre souris.



Les outils les plus utilisés sont les outils Merge 2D ou 3D. Ils permettent de fusionner des outils en ne créant qu'une seule sortie.

Les outils Merge contrôlent la manière dont les entrées sont gérées, notamment la taille, la position et le fondu. Pour accéder à ces paramètres, sélectionnez un nœud Merge et ouvrez l'inspecteur.

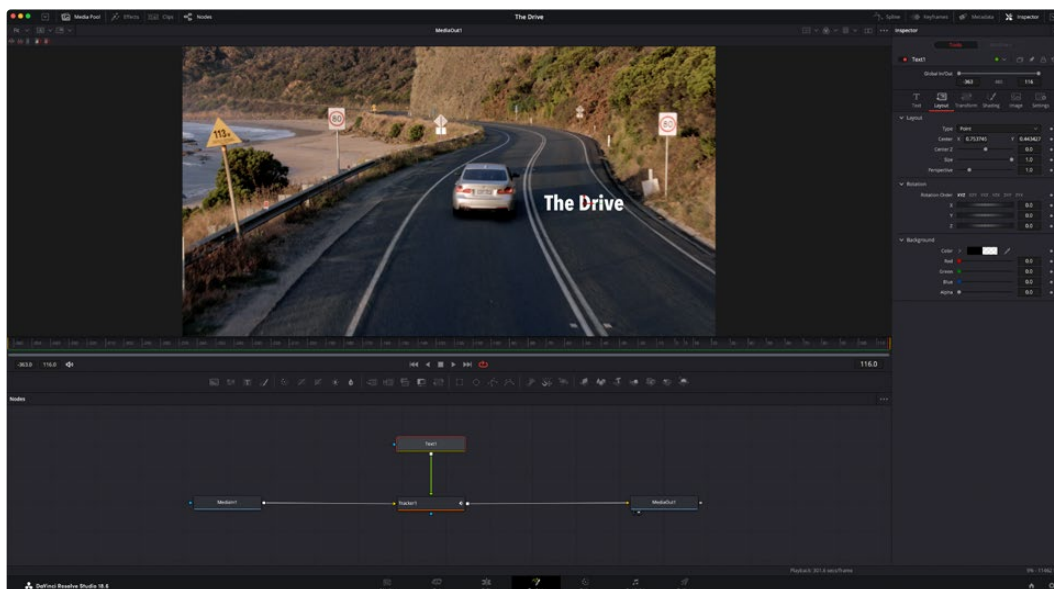
La barre d'outil située au-dessus de la fenêtre de nœuds affiche les icônes des outils les plus utilisés. Pour ajouter un nœud, cliquez sur une icône ou glissez-la dans la fenêtre de nœuds. Pour afficher la liste de tous les outils disponibles, cliquez sur **Bibliothèque d'effets** en haut à gauche de l'écran, puis agrandissez l'option **Tools**. Vous trouverez tous les outils triés par catégorie, ainsi que des templates que vous pouvez utiliser, comme Lens flare, Shader et Background.

CONSEIL Une fois familiarisé avec le nom des outils, maintenez le bouton **Shift** enfoncé et appuyez sur la barre d'espace de votre clavier pour faire apparaître le menu **Select Tool**. Lorsque vous saisissez un nom d'outil, le menu vous suggérera automatiquement l'outil le plus pertinent. C'est un moyen très rapide de sélectionner l'outil de votre choix.

Ajuster les nœuds avec l'inspecteur

Vous pouvez paramétrer les nœuds à l'aide de l'inspecteur. Cliquez sur le nœud que vous souhaitez modifier pour afficher ses paramètres dans l'inspecteur.

Dans Fusion, vous n'avez pas besoin de visualiser le nœud que vous êtes en train d'éditer. Vous pouvez modifier un nœud alors que vous en visionnez un autre dans votre composition. Par exemple, vous pouvez modifier la taille et le centrage d'un nœud **Text+** alors qu'un nœud **Merge** est dans le viewer. Cela vous permet de voir le texte sur un arrière-plan.



Lorsqu'un nœud est sélectionné, il est entouré d'une bordure rouge. Ici, l'inspecteur affiche la fenêtre de mise en forme du nœud Text.

Selon la fonction du nœud sélectionné, différents paramètres s'afficheront. Par exemple, vous pourrez modifier la taille, le centrage ou encore le nombre de particules. Petit à petit, régler les images clés et les paramètres animeront les effets.

Travailler avec des images clés

Dans la fenêtre de l'inspecteur, réglez une image clé en faisant un clic droit sur un paramètre et en sélectionnant **Animer** dans le menu contextuel. L'icône des images clés sur la droite s'affichera en rouge. La fonction Images clés est désormais active, et tous les changements que vous effectuerez ne seront appliqués qu'à l'image sélectionnée. Lorsque vous créez plusieurs images clés en changeant les paramètres d'une autre image, une transition est interpolée entre elles. Les flèches de chaque côté de l'icône de l'image clé vous permettent de déplacer la tête de lecture dans les mêmes positions que la timeline.



Ici, la taille de l'animation a été adoucie avec une courbe de Bézier. Pour raccourcir ou allonger la courbe, cliquez sur ses poignées. Pour déplacer l'animation, cliquez sur les icônes carrées.

La fenêtre Spline vous offre des paramètres supplémentaires pour contrôler votre animation d'image clé. Vous pouvez sélectionner des images clés, comme par exemple la première et la dernière, et adoucir l'animation entre elles avec une courbe de Bézier. Pour cela, saisissez les touches **Shift + s**, ou faites un clic droit sur une image clé et sélectionnez **Adoucir**.

Tracker des éléments en mouvement et ajouter du texte

Afin de vous donner un meilleur aperçu de Fusion, nous allons vous montrer comment tracker un élément dans un clip, ajouter du texte, puis l'intégrer à un élément à l'aide des données de tracking.

L'outil **Tracker** tracke les pixels sur un axe X et Y et génère des données que vous pouvez utiliser pour intégrer des éléments. C'est très utile pour faire correspondre la position d'un texte à un objet en mouvement, comme une voiture qui roule ou un oiseau qui vole sur plusieurs images.

- 1 Dans la page **Bibliothèque d'effets**, sélectionnez l'outil **Tracker** et faites-le glisser sur la ligne entre les nœuds **MediaIn** et **MediaOut**. Cliquez sur le nœud de tracking pour afficher ses propriétés dans l'inspecteur.
- 2 Saisissez « 1 » sur votre clavier pour afficher ce nœud dans le viewer de gauche. Le clip va s'afficher dans le viewer avec le tracker, positionné par défaut sur l'image. Passez votre souris sur le tracker pour afficher ses poignées. Cliquez en haut à gauche des poignées et déplacez le tracker dans la zone de l'image de votre choix. Le tracking est plus performant sur des zones contrastées, comme la marque d'une voiture sur sa carrosserie. Pour une précision optimale, l'image est grossie au passage du tracker.
- 3 Dans la fenêtre de l'inspecteur, cliquez sur le bouton de tracking vers l'avant. Une notification apparaîtra sur votre écran pour vous informer que le tracking est effectué. Cliquez sur OK.

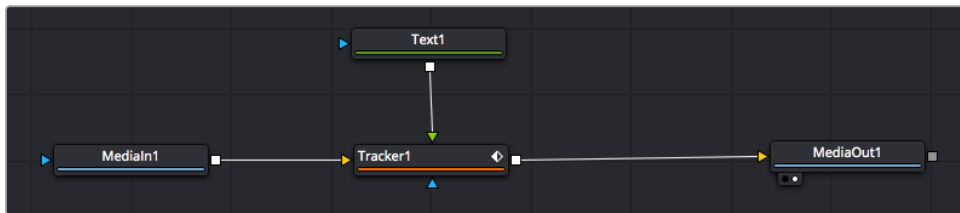


Dans l'inspecteur, vous pouvez choisir de tracker vers l'arrière depuis la dernière image, tracker vers l'arrière depuis l'image sélectionnée, arrêter le tracking, tracker vers l'avant depuis l'image sélectionnée ou tracker vers l'avant depuis la première image.

CONSEIL Utilisez les boutons de tracking avant et arrière depuis une image sélectionnée lorsque la zone à suivre disparaît durant le segment sur lequel vous travaillez. Par exemple, lorsqu'une voiture ou un oiseau sort de l'image. Ainsi, vous trackerez seulement les plans pertinents.

Maintenant, vous pouvez utiliser les données de tracking et appliquer un chemin d'animation à du texte.

- 4 Cliquez sur l'icône du nœud **Text+** depuis la barre d'outils et glissez-le près du nœud **Tracker** dans la fenêtre des nœuds. Connectez la sortie carrée du nœud **Texte** à l'entrée verte du nœud **Tracker**.



- 5 Cliquez sur le nœud **Tracker** et saisissez « 1 » sur votre clavier pour afficher la fusion des deux nœuds dans le viewer de gauche. Dans l'inspecteur de nœud **Tracker**, cliquez sur l'onglet **Opération**. Cliquez sur la flèche du menu **Operation** et sélectionnez **Suivi du mouvement**.
- 6 Cliquez sur le nœud de texte pour afficher ses propriétés dans l'inspecteur. Tapez votre texte dans le champ de saisie et modifiez la police, la couleur et la taille des caractères, selon les besoins de votre composition.

Cela appliquera les données de position du tracker à votre texte. Si vous souhaitez décaler la position du texte, revenez sur la fenêtre du Tracker dans l'inspecteur, et utilisez les roues **Y Offset** et **X Offset**.



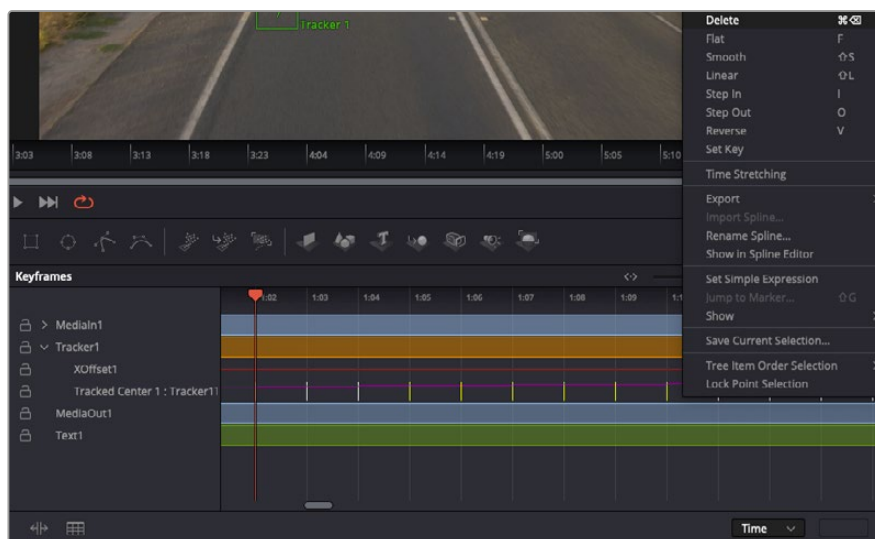
Tourner les roues **Offset** en bas de la fenêtre de l'inspecteur permet d'ajuster la position du texte.

Vous pouvez désormais lire votre composition et voir le texte suivre l'élément que vous avez tracké !



Le carré vert représente la position actuelle du tracker sur son tracé. La ligne en pointillé rouge représente la position de décalage pour animer le texte.

Pour certaines prises, vous pourriez vouloir supprimer les points de tracking, par exemple, quand l'objet que vous trackez disparaît de l'écran. Grâce aux images clés, c'est très simple à réaliser.



- 7 Cliquez sur la fenêtre Images clés située au dessus de l'inspecteur. Chaque nœud auquel vous appliquez des images clés comportera une petite flèche à côté de son nom. Seuls les paramètres avec des images clés s'afficheront dans la liste. Cliquez sur l'icône de grossissement et définissez la zone que vous souhaitez éditer. Cette zone sera grossie pour vous permettre de voir l'image clé plus facilement.
- 8 Déplacez la tête de lecture sur la dernière image clé de votre choix. Maintenant, sélectionnez les images clés que vous souhaitez supprimer en définissant une zone autour d'elles à l'aide de votre souris. Les images clés seront surlignées en jaune. Faites un clic droit et sélectionnez **Supprimer** pour les supprimer.

CONSEIL Si vos effets sont particulièrement lourds pour votre système, faites un clic droit sur la zone des commandes de transport pour voir d'autres options de lecture, comme la lecture proxy qui vous permet d'optimiser le traitement de votre système lorsque vous créez vos compositions. Pour plus de détails sur les options de lecture, veuillez consulter le manuel DaVinci Resolve.

Bravo, vous avez finalisé votre première composition en animant du texte qui suit un élément de votre séquence !

Pour tracker une surface plate que vous souhaitez améliorer ou remplacer, vous pouvez utiliser l'outil de tracking planaire. Tracker des surfaces planes en 2D peut être utile pour changer un nom ou une marque dans une image en mouvement, ou même pour ajouter une image à un écran TV.

Pour plus d'informations sur l'outil de tracking planaire et les puissants outils de la page Fusion, veuillez consulter le manuel DaVinci Resolve.

CONSEIL Lorsque vous créez des effets dans la page Fusion, il est important de savoir si ces effets sont en 2D ou en 3D. En effet, cela déterminera quel outil Merge sera utilisé. Il est possible que vous combiniez des effets 2D et 3D dans une seule composition. Dans ce cas, rappelez-vous que les effets visuels 3D doivent être rendus en tant qu'image 2D avant d'être intégrés dans une composition 2D.

Nous sommes persuadés que vous adorerez créer de puissants effets visuels avec Fusion et explorer les fonctions de montage, d'étalonnage et de post audio de DaVinci Resolve. Avec tous ces outils à votre disposition, les possibilités de création sont illimitées !

Mastériser votre montage

Une fois le montage, l'étalonnage, l'ajout de VFX et le mixage audio effectués, il est temps de partager votre création. Vous pouvez utiliser la fonction Exportation rapide pour exporter les contenus de la timeline en tant que fichier autonome dans différents formats, ou utiliser les fonctionnalités additionnelles depuis la page **Exportation**.



La séquence montée est exportée depuis la page **Exportation**. Vous pouvez choisir le format et les codecs de votre vidéo

Exportation rapide

Vous pouvez sélectionner **Fichier > Exportation rapide** pour utiliser les différents préréglages d'exportation, afin d'exporter votre programme depuis n'importe quelle page de DaVinci Resolve. Vous pouvez même utiliser l'exportation rapide pour exporter et charger votre programme vers les plateformes de partage vidéo prises en charge, dont YouTube, Vimeo, Twitter et Frame.io.

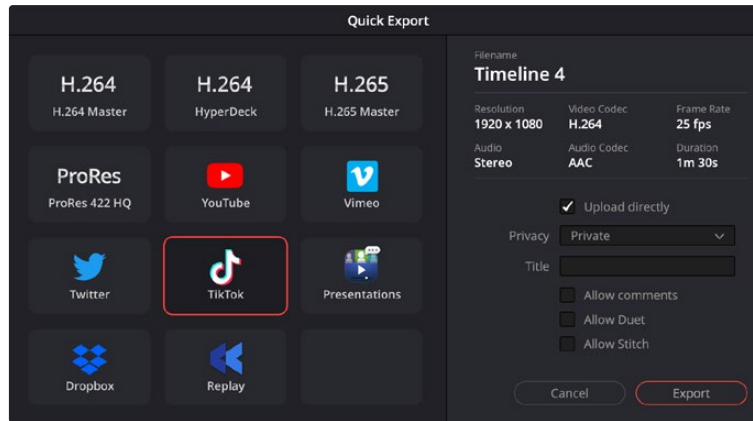
Pour utiliser l'Exportation rapide :

- 1 Depuis la page **Cut**, **Montage**, **Fusion** ou **Étalonnage**, réglez si besoin des points d'entrée et de sortie dans la timeline pour sélectionner la plage du programme à exporter. Si aucune timeline ou aucun point d'entrée ou de sortie n'ont été sélectionnés, la timeline toute entière sera exportée.

Choisissez **Fichier > Exportation rapide**.

- 2 Sélectionnez un préréglage parmi les icônes de la boîte de dialogue. Si vous souhaitez télécharger simultanément sur un compte en ligne, cliquez sur **Connexion**, puis sur **Télécharger directement** et remplissez les détails. Cliquez sur **Exporter**.
- 3 Choisissez un emplacement et nommez le fichier dans la boîte de dialogue, puis cliquez sur **Enregistrer**. Une barre de progression apparaîtra pour vous indiquer combien de temps durera l'exportation.

REMARQUE Quand vous chargez directement du contenu sur des comptes en ligne comme TikTok, vous pouvez aussi vous connecter avec les détails de votre compte Internet DaVinci Resolve. Ces réglages sont situés dans l'onglet Système des préférences DaVinci Resolve.



Chargez directement votre contenu sur TikTok quand vous exportez votre projet en cliquant sur **Télécharger directement** et en remplissant les détails

Page Exportation

Cette page vous permet de sélectionner les clips que vous souhaitez exporter et de choisir le format, le codec et la résolution souhaités. Vous pouvez exporter de nombreux formats, tels que QuickTime, AVI, MXF et DPX à l'aide de codecs non compressés RVB/YUV 8 bits ou 10 bits, ProRes, DNxHD, H.264 et autres.

Pour exporter la séquence montée en un seul clip :

- 1 Cliquez sur l'onglet **Exportation** pour ouvrir la page Exportation.
- 2 Dans la fenêtre **Paramètres d'export** en haut à gauche de la page, vous pouvez choisir les préférences d'exportation, par exemple YouTube, Vimeo et des préférences audio. Vous pouvez également configurer les paramètres d'exportation manuellement en conservant le pré-réglage par défaut **Personnaliser** et en saisissant vos propres réglages. Dans cet exemple, sélectionnez YouTube puis cliquez sur la flèche située à côté du pré-réglage et sélectionnez le format vidéo 1080p.

La fréquence d'images sera la même que la fréquence d'images de votre projet.

- 3 Sous les pré-réglages apparaissent le nom de fichier de la timeline et l'emplacement vers lequel vos vidéos seront exportées. Cliquez sur **Parcourir**, choisissez l'emplacement où vous souhaitez sauvegarder les fichiers exportés, puis sélectionnez **Plan unique** parmi les options d'exportation.
- 4 Juste au-dessus de la timeline, vous verrez que la case **Toute la timeline** est sélectionnée. Cela exportera l'intégralité de la timeline, cependant, vous pouvez sélectionner une partie de la timeline si vous le souhaitez. Choisissez simplement **Sélection Entrée/Sortie** puis utilisez les raccourcis clavier **i** et **o** pour sélectionner les points d'entrée et de sortie sur la timeline.
- 5 Allez au bas de la fenêtre **Paramètres de rendu** et cliquez sur le bouton **Ajouter à la liste de rendu**.

Les paramètres de rendu sont ajoutés à la queue de rendus à droite de la page. Cliquez sur **Rendre**. Grâce à la queue de rendus, vous pouvez suivre la progression de votre rendu.

Lorsque le rendu est terminé, ouvrez le dossier, faites un double-clic sur le clip rendu et regardez le résultat.

Maintenant que vous avez acquis les bases du montage, de l'étalonnage, du mix audio et des effets visuels, n'hésitez pas à vous lancer avec DaVinci Resolve ! Veuillez consulter le manuel DaVinci Resolve pour plus de détails sur chaque fonctionnalité.

Dans DaVinci Resolve Studio, les plug-ins **ResolveFX Revival** suivants peuvent vous aider à restaurer les images numérisées avec votre Cintel Scanner. Ces trois puissants outils peuvent réduire le bruit, réparer les rayures et les imperfections, et aider à éliminer les autres dommages et artefacts visibles de vos clips.

Plug-in Nettoyage automatique de la poussière

Le plug-in Nettoyage automatique de la poussière utilise la technologie de flux optique pour cibler et réparer temporellement les poussières, cheveux, marques et toute autre imperfection présents sur une ou deux images. Toutes les réparations sont effectuées en maintenant un niveau de détail consistant dans l'image au-dessous. La restauration de l'image est donc d'excellente qualité. Bien qu'il soit sophistiqué, c'est un plug-in assez facile d'utilisation ; il suffit de déposer le plug-in sur une prise, d'ajuster les paramètres pour un résultat optimal, et de le voir à l'œuvre :



Image originale à gauche, et image avec le plug-in Nettoyage automatique de la poussière à droite

REMARQUE Ce plug-in est moins efficace pour les rayures verticales qui sont situées au même emplacement sur plusieurs images. Il est inefficace pour les poussières situées sur l'objectif durant toute la prise.

Commandes principales

Ces commandes primaires permettent d'ajuster la quantité de poussière à supprimer de l'image.

Méthode d'Est. du Mo.

Choisissez entre les paramètres Aucun, Rapide, Normal, et Meilleure qualité. Cette commande permet de choisir un compromis entre la performance et la qualité.

Images adjacentes

Choisissez le nombre d'images à comparer lors de la détection de la poussière. Si vous choisissez un grand nombre d'images, le traitement sera plus long mais les résultats seront meilleurs.

Intensité de la correction

Choisissez l'intensité de la correction des imperfections détectées. Les valeurs les plus basses laisseront passer quelques imperfections, par exemple des résidus de poussière, alors que les valeurs les plus élevées élimineront toutes les imperfections trouvées.

Seuil Taille poussière

Ce curseur permet de régler la taille d'une poussière à enlever. Augmenter ce paramètre permet d'omettre des éléments tels que le grain du film, mais peut laisser passer les plus petites poussières.

Afficher le masque de correction

Permet d'afficher les imperfections détectées. Vous pourrez ainsi voir l'efficacité des résultats lorsque vous ajustez ce filtre.

Commandes fines

Ces commandes vous permettent d'ajuster l'effet pour trouver un équilibre entre la suppression des poussières et la préservation des détails de l'image.

Seuil du mouvement

Ce curseur vous permet de choisir le seuil à partir duquel les pixels en mouvements sont considérés comme étant des imperfections. Lorsque ce seuil est bas, moins de poussières seront corrigées. Toutefois, il y aura moins d'artefacts de mouvement. Lorsqu'il est élevé, davantage de poussières seront éliminées mais il se peut qu'il y ait plus d'artefacts de mouvement.

Ignorer le contour

Ce curseur permet d'empêcher les bords de l'image d'être affectés par la suppression des imperfections. Les valeurs plus élevées les protègent davantage.

Réparation des pixels chauds

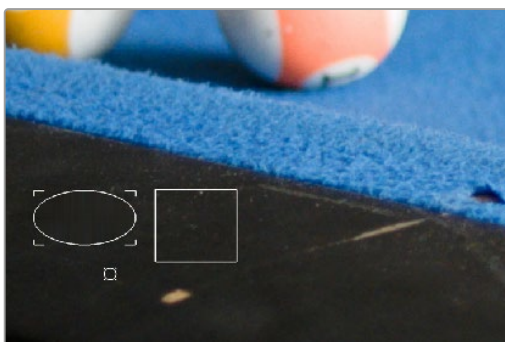
Si vous avez des clips provenant du scanner ou des images importées comportant un ou plusieurs pixels fixés avec une couleur et une luminosité spécifiques, DaVinci Resolve possède un filtre pour vous aider à les patcher. Ce filtre est conçu pour placer des patchs sur chaque pixel « chaud », en les identifiant afin que vous puissiez utiliser différentes méthodes pour nettoyer ces zones de l'image.

Sur bien des aspects, ce filtre est similaire au plug-in Suppression de la poussière. Cependant, l'effet de suppression de la poussière est conçu pour réparer les poussières et saletés transitoires qui apparaissent sur une image ou deux, tandis que ce filtre est conçu pour opérer sur les imperfections fixées à un endroit du clip pendant toute sa durée.

Réparer des pixels chauds :

- 1 Appliquez le filtre **Correction des pixels morts** et activez les commandes OFX dans le viewer.
- 2 Dans les paramètres du filtre, sélectionnez **Placer patch**, et cliquez sur chaque pixel à corriger. Vous pouvez cliquer n'importe où dans l'image et placer autant de patchs que vous le souhaitez.

Pour déplacer un patch, faites-le simplement glisser ailleurs. Vous pouvez également faire Option-clic pour supprimer les patchs dont vous n'avez plus besoin.



Plusieurs patches de suppression des pixels chauds

Si vous avez placé plusieurs patches, vous pouvez sélectionner les patches que vous souhaitez ajuster en cliquant dessus. Chaque patch possède différents paramètres.

Général

Ces commandes situées en haut vous permettent de choisir comment dessiner les patches avec lesquels vous allez réparer des imperfections, si vous souhaitez afficher leurs commandes à l'écran, et comment les afficher.

Style du patch

Il existe trois différents types de patches que vous pouvez dessiner selon les types d'imperfections dans l'image.

Rectangle

Cliquez et déposez un patch rectangulaire en définissant la taille de votre choix, en partant d'un coin vers le coin opposé. Une fois la forme dessinée, vous pouvez cliquer sur n'importe quel bord et la faire glisser pour la repositionner.

Ellipse

Cliquez et déposez un patch elliptique en définissant la taille de votre choix, en partant d'un coin vers le coin opposé. Une fois la forme dessinée, vous pouvez cliquer sur n'importe quel bord et la faire glisser pour la repositionner.

Placer patch

Permet de placer de petits patches spécifiquement pour les petits détails, tels que les pixels chauds. Lorsque vous choisissez cette option, un curseur **Taille nouveau patch** apparaît et permet d'ajuster la taille des patches avant de les positionner. Une fois placé, vous pouvez cliquer sur le bord de n'importe quel patch et le faire glisser pour le repositionner.

Nouveau patch Taille quand Placer patch est sélectionné

Permet de choisir la taille du patch à placer avec l'outil Placer patch.

Afficher les patches

Permet d'afficher ou de masquer la bordure de chaque patch dans le viewer.

Masquer pendant l'action

Masque la bordure de chaque patch dans le viewer tandis que vous déplacez un patch ; cela permet de voir plus facilement l'effet du patch en mouvement sur l'image, sans que la bordure n'encombre la vue.

Type du patch

Il existe trois méthodes pour essayer de corriger le contenu d'un patch sélectionné. Lorsque vous dessinez de nouveaux patches, le type de patch actuellement sélectionné déterminera le type du prochain patch. Une fois que vous avez sélectionné un patch existant, modifier le type de patch changera la manière dont celui-ci fonctionne.

Spatial

Ce mode remplit automatiquement l'intérieur du patch sélectionné avec des pixels avoisinant le patch, en utilisant la méthode de remplissage. Il fonctionne bien pour les petites imperfections, mais pour les plus grandes, un motif peut être perceptible, ce qui compromet l'effet.

Cloner

Ce mode copie une partie de l'image pour remplir une forme ou un patch placé par-dessus l'élément que vous souhaitez supprimer. Cliquez et déposez un rectangle ou une ellipse par-dessus une imperfection, puis cliquez une seconde fois pour définir la zone d'échantillonnage que vous souhaitez cloner. Cliquez une fois pour positionner le patch, puis une seconde fois pour positionner la zone d'échantillonnage. Si vous sélectionnez une forme ou un patch existant et que vous sélectionnez Cloner, vous pouvez cliquer sur la forme pour positionner la zone de clonage. La zone d'échantillonnage est indiquée par une forme en pointillé reliée à la forme originale.

Blend Clone

Il opère de la même manière que le monde Cloner, sauf que la partie copiée qui remplit le rectangle, l'ellipse ou le patch est fondue avec l'image, afin de l'intégrer de manière plus douce.

Méthode de remplissage

Lorsque vous utilisez le type de patch **Spatial**, ce paramètre permet de déterminer comment l'imperfection dans l'image est réparée.

Grille

Échantillonne les pixels autour du rectangle, de l'ellipse ou du patch, et les copie à l'intérieur en les adoucissant, horizontalement et verticalement. C'est extrêmement efficace pour les toutes petites imperfections. Cependant, pour des imperfections plus grandes, un motif en forme de grille peut apparaître.

Horizontale

Échantillonne les pixels à gauche et à droite du rectangle, de l'ellipse ou du patch, et les copie à l'intérieur en les adoucissant.

Verticale

Échantillonne les pixels en haut et en bas du rectangle, de l'ellipse ou du patch, et les copie à l'intérieur en les adoucissant.

Patchy

Échantillonne les pixels tout autour du rectangle, de l'ellipse ou du patch, puis les étend et les copie à l'intérieur en les adoucissant ensemble, pour créer une zone douce et non-uniforme qui servira à réparer l'imperfection. Ce paramètre n'offre pas la même structure que la méthode de remplissage en grille, mais il produit un résultat extrêmement lisse.

Lisser

Utilise un flou gaussien pour réparer l'imperfection.

Options du patch

Ces options vous permettent de personnaliser l'effet du remplissage d'un patch sur une imperfection.

Mute

Permet d'activer ou de désactiver un patch via l'ajout d'images clés. Ce paramètre est très utile pour les imperfections qui n'apparaissent que sur quelques pixels d'une prise.

Variation pour les patches spatiaux

Augmenter le paramètre de variation vous permet de rendre la méthode de remplissage moins uniforme.

Soft Edges

Permet d'adoucir les bords d'un patch.

Size Adjust

Permet d'ajuster la taille d'un patch après sa création.

Commandes avancées

Ces commandes permettent de personnaliser l'interface de cet effet.

Clone lié à la souris

Lorsque vous dessinez ou placez un rectangle, une ellipse ou un patch en mode Cloner ou Blend clone, activer ce paramètre permet de basculer immédiatement sur le positionnement de la zone d'échantillonnage.

Patches restent sélectionnés

Lorsque ce paramètre est activé, les patches restent sélectionnés après que vous les ayez dessinés, et sont ainsi prêts à être modifiés.

UI Line Thickness

Permet de choisir l'épaisseur des bordures.

Patches liés à

Ce paramètre vous permet de gérer la correction des pixels chauds ou des imperfections sur les clips qui ont été stabilisés.

Source

Les patches que vous avez positionnés restent en place, à moins que vous n'appliquiez une stabilisation de mouvement à la prise. Dans ce cas, les patches sont transformés avec l'image et restent ainsi « bloqués » à la fonctionnalité dans le clip source que vous êtes en train de réparer.

Scène

Si vous éliminez une imperfection dans un sujet en mouvement, vous pouvez utiliser le Tracker FX pour tracker l'élément que vous réparez, afin que le patch suive le tracking.

Mode de la sortie

Cela vous permet de voir différentes représentations de l'effet du patch que vous êtes en train de créer. Il existe quatre options :

Patched Result

Affiche le résultat final, avec chaque patch réparant l'imperfection qu'il recouvre.

Patch Locations

Affiche un contour contrasté blanc sur noir de chaque patch placé.

Différences

Affiche la différence entre chaque patch et l'image originale.

Différence Amplitude

Affiche une représentation des différences plus prononcée.

Plug-in Correction du flicker

Le plug-in de correction du flicker permet de supprimer les scintillements dus à l'exposition, aux lumières fluorescentes, aux films d'archive et parfois aussi aux problèmes rencontrés par les différences de vitesses d'obturation. Ce filtre ne cible que les variations d'éclairage rapides et temporairement instables, et uniquement les parties de l'image où le scintillement apparaît. Les autres parties de l'image restent inchangées. Ce plug-in permet donc de résoudre les problèmes que l'on considèrerait autrement comme insolubles.



Image originale sur la gauche, correction du flicker réglée sur lumière fluorescente sur la droite

Paramètres principaux

Par défaut, la section supérieure de ce plug-in ne contient qu'un seul paramètre. Dans beaucoup de cas, c'est le seul paramètre dont vous aurez besoin.

Menu Paramètres sans flicker

Les deux options au choix, **Time-lapse** et **Lumière fluorescente**, sont des préreglages qui éliminent deux catégories de scintillement. Si aucun de ces deux préreglages n'est efficace, la troisième option, **Commandes avancées**, permet d'ouvrir la commande **Réduction du bruit temporelle** et ainsi d'apporter une réponse adaptée.

Réduction du bruit temporelle

Par défaut, cette option est masquée. Il faut régler le menu **Paramètres sans flicker** sur **Commandes avancées** pour qu'elle apparaisse. Ce paramètre offre plusieurs options d'estimation du mouvement dans une scène afin de corriger le scintillement provoqué par les mouvements des personnes et des objets dans le cadre.

Images des deux côtés

Indique le nombre d'images à analyser pour établir quels éléments sont en mouvement. Ce n'est pas parce que la valeur est élevée que le résultat sera meilleur. Le meilleur réglage doit être choisi en fonction de la scène. La valeur par défaut est réglée sur 3.

Méthode d'Est. Type

Détermine la méthode d'analyse que DaVinci Resolve utilise pour détecter le mouvement dans l'image. Pour déterminer l'option la mieux adaptée, il ne faut pas s'attacher au nom des options, mais plutôt à la scène. Le traitement **Rapide** est moins gourmand en temps processeur, cependant, cela peut présenter un avantage et répondre parfaitement à un projet où l'image contient beaucoup de détails. Le traitement **Meilleure qualité** est plus précis, mais demande davantage de temps processeur. Il tente de faire correspondre des détails fins et cela peut provoquer des problèmes. L'option **Aucun** désactive les traitements d'analyse du mouvement. Cette option fonctionne très bien, et elle est en plus très rapide, si aucun mouvement n'est présent dans la scène. Le traitement par défaut est **Meilleure qualité**.

Amplitude du mouvement

Trois réglages (Petite, Modérée et Large) permettent de choisir la vitesse de mouvement dans l'image qui doit être détecté.

Seuil de luma

Règle le seuil au-delà duquel le luma ne sera pas considéré comme du scintillement. La plage s'étend de 0 à 100. 0 ne corrige aucun scintillement ; 100 corrige tout scintillement. La valeur par défaut est égale à 100.

Seuil de chroma

Règle le seuil au-delà duquel le chroma ne sera pas considéré comme du scintillement. La plage s'étend de 0 à 100. 0 ne corrige aucun scintillement ; 100 corrige tout scintillement. La valeur par défaut est égale à 100.

Grouper Luma Chroma

Permet de choisir si les seuils de luma et de chroma doivent être groupés.

Seuil du mouvement

Règle le seuil au-delà duquel les mouvements ne seront pas considérés comme du scintillement.

Options d'optimisation de la vitesse

Par défaut, ce paramètre est fermé. Il comporte deux commandes :

Mouvement à détails réduits

Par défaut, cette case est cochée. Elle réduit la quantité de détails analysés pour détecter le scintillement. En général, ce paramètre ne permet pas de voir de différences notables, mais augmente la vitesse de traitement. Décochez cette case si vos images comportent des détails fins qui ont été trop lissés.

Limiter la zone d'analyse

Cochez cette case pour afficher des commandes supplémentaires. Une fenêtre d'échantillonnage permet de limiter la zone de correction du flicker. Cette option est utile lorsqu'une seule partie de l'image comporte des scintillements. Dans ce cas, il est préférable de se concentrer sur cette zone pour accélérer le traitement ; ou lorsqu'une partie de l'image a été trop lissée pendant la correction du flicker d'une autre partie de l'image.

Restaurer les détails originaux après la correction du flicker

Par défaut, ce paramètre est fermé. Il comporte deux commandes :

Détails à restaurer

Ce curseur permet d'isoler rapidement le grain, les détails fins et les angles vifs qui ne doivent pas être corrigés. Ils sont donc conservés intacts.

Afficher les détails restaurés

Cette case permet de voir les bordures détectées et utilisées par la commande **Détails à restaurer**, et ainsi régler précisément ce traitement.

Sortie

Le menu Sortie permet de choisir les sorties sur lesquelles le scintillement doit être corrigé. Les options disponibles sont :

Résultat sans flicker

Le résultat final, sans flicker. Il s'agit du réglage par défaut.

Flicker détecté

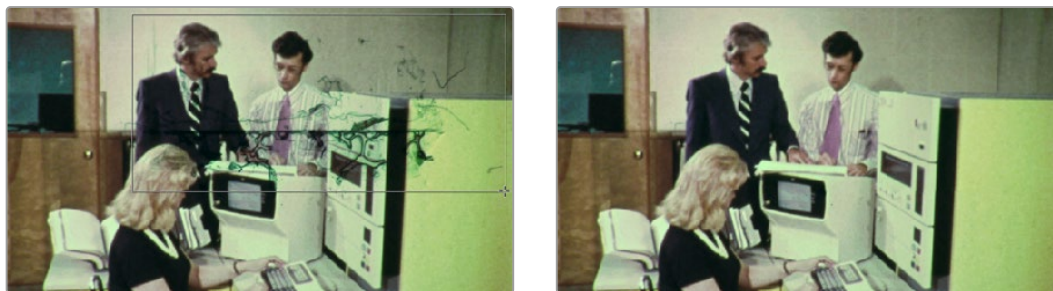
Cette option affiche un masque qui met en valeur les parties de l'image qui comportent du scintillement. Cela permet de savoir si les bonnes parties de l'image ont été ciblées. Ce masque peut être très discret.

Flicker grossi

Cette option affiche une version exagérée du masque **Flicker détecté**. Cela permet de visualiser les opérations réalisées par le plug-in Correction du flicker.

Plug-in Suppression de la poussière

Ce plug-in est également conçu pour éliminer la poussière, la saleté ou d'autres imperfections et artéfacts des clips pour lesquels le plug-in Nettoyage automatique de la poussière n'a pas donné de résultat satisfaisant. Cependant, il nécessite l'intervention de l'utilisateur. L'utilisateur doit se déplacer dans le clip image par image et encadrer les imperfections qu'il souhaite éliminer. Une fois que le rectangle a été dessiné, l'imperfection est supprimée comme par magie de façon optimale. Cela fonctionne bien pour les poussières, mais aussi pour les taches et les éclaboussures, comme illustré ci-dessous.



Encadrement de la tache dans l'image originale à gauche, et résultat du plug-in de suppression de la poussière à droite

Le plug-in Suppression de la poussière est similaire à la correction des pixels chauds. Cependant, l'effet de suppression de la poussière est conçu pour réparer les poussières et saletés transitoires qui apparaissent sur une image ou deux, tandis que celui de correction des pixels chauds est conçu pour opérer sur les imperfections fixées à un endroit du clip pendant toute sa durée.

Général

Ces commandes situées en haut vous permettent de choisir comment dessiner les patches avec lesquels vous allez réparer des poussières et saletés temporairement instables, si vous souhaitez afficher leurs commandes à l'écran, et comment les afficher.

Commandes de navigation

Quatre boutons vous permettent d'aller directement sur les images qui contiennent des patches.

Première image modifiée

Positionne la tête de lecture sur la première image de ce clip avec un patch.

Image modifiée précédente

Positionne la tête de lecture sur l'image précédente avec un patch.

Image modifiée suivante

Positionne la tête de lecture sur la prochaine image avec un patch.

Dernière image modifiée

Positionne la tête de lecture sur la dernière image de ce clip avec un patch.

Style du patch

Il existe trois différents types de patches que vous pouvez dessiner selon les types d'imperfections dans l'image.

Rectangle

Cliquez et déposez un patch rectangulaire en définissant la taille de votre choix, en partant d'un coin vers le coin opposé. Une fois la forme dessinée, vous pouvez cliquer sur n'importe quel bord et la faire glisser pour la repositionner.

Ellipse

Cliquez et déposez un patch elliptique en définissant la taille de votre choix, en partant d'un coin vers le coin opposé. Une fois la forme dessinée, vous pouvez cliquer sur n'importe quel bord et la faire glisser pour la repositionner.

Placer patch

Permet de placer de petits patches spécifiquement pour les petits détails, tels que les pixels chauds. Lorsque vous choisissez cette option, un curseur **Taille nouveau patch** apparaît et permet d'ajuster la taille des patches avant de les positionner. Une fois placé, vous pouvez cliquer sur le bord de n'importe quel patch et le faire glisser pour le repositionner.

Taille quand Placer patch est sélectionné

Permet de choisir la taille d'un patch à placer à l'aide de l'outil Placer Patch.

Afficher les patches

Permet d'afficher ou de masquer la bordure de chaque patch dans le viewer.

Masquer pendant l'action

Masque la bordure de chaque patch dans le viewer tandis que vous déplacez un patch ; cela permet de voir plus facilement l'effet du patch en mouvement sur l'image, sans que la bordure n'encombre la vue.

Type du patch

Il existe six méthodes pour essayer de corriger le contenu d'un patch sélectionné. Lorsque vous dessinez de nouveaux patches, le type de patch actuellement sélectionné déterminera le type du prochain patch. Une fois que vous avez sélectionné un patch existant, modifier le type de patch changera la manière dont celui-ci fonctionne.

Auto

Il s'agit de la méthode par défaut. Une fois que vous avez tracé un encadré, les deux images précédant et suivant le clip seront analysées et comparées à l'image en cours. Les meilleures zones de ces cinq images seront échantillonnées pour supprimer les imperfections de l'image en cours. Les images les plus éloignées primeront sur les autres, car elles ne présentent pas de grain figé, mais cela uniquement si elles sont appropriées au contenu de l'image actuelle.

+/-1 Image

Avec ce mode, si vous tracez un encadré de gauche à droite, l'image suivante sera utilisée pour supprimer l'imperfection. Si vous tracez un encadré de droite à gauche, l'image précédente sera utilisée.

+/-2 Images

Si vous tracez un encadré de gauche à droite, l'image qui suit l'image suivante sera utilisée pour supprimer l'imperfection. Si vous tracez un encadré de droite à gauche, l'image qui précède l'image précédente sera utilisée.

Spatial

Ce mode remplit automatiquement l'intérieur du patch sélectionné avec des pixels avoisinant le patch, en utilisant la méthode de remplissage. Il fonctionne bien pour les petites imperfections, mais pour les plus grandes, un motif peut être perceptible, ce qui compromet l'effet.

Cloner

Ce mode copie une partie de l'image pour remplir une forme ou un patch placé par-dessus l'élément que vous souhaitez supprimer. Cliquez et déposez un rectangle ou une ellipse par-dessus une imperfection, puis cliquez une seconde fois pour définir la zone d'échantillonnage que vous souhaitez cloner. Cliquez une fois pour positionner le patch, puis une seconde fois pour positionner la zone d'échantillonnage. Si vous sélectionnez une forme ou un patch existant et que vous sélectionnez Cloner, vous pouvez cliquer sur la forme pour positionner la zone de clonage. La zone d'échantillonnage est indiquée par une forme en pointillé reliée à la forme originale.

Blend Clone

Il opère de la même manière que le monde Cloner, sauf que la partie copiée qui remplit le rectangle, l'ellipse ou le patch est fondue avec l'image, afin de l'intégrer de manière plus douce.

Méthode de remplissage

Lorsque vous utilisez le type de patch **Spatial**, ce paramètre permet de déterminer comment l'imperfection dans l'image est réparée.

Grille

Échantillonne les pixels autour du rectangle, de l'ellipse ou du patch, et les copie à l'intérieur en les adoucissant, horizontalement et verticalement. C'est extrêmement efficace pour les toutes petites imperfections. Cependant, pour des imperfections plus grandes, un motif en forme de grille peut apparaître.

Horizontale

Échantillonne les pixels à gauche et à droite du rectangle, de l'ellipse ou du patch, et les copie à l'intérieur en les adoucissant.

Verticale

Échantillonne les pixels en haut et en bas du rectangle, de l'ellipse ou du patch, et les copie à l'intérieur en les adoucissant.

Patchy

Échantillonne les pixels tout autour du rectangle, de l'ellipse ou du patch, puis les étend et les copie à l'intérieur en les adoucissant ensemble, pour créer une zone douce et non-uniforme qui servira à réparer l'imperfection. Ce paramètre n'offre pas la même structure que la méthode de remplissage en grille, mais il produit un résultat extrêmement lisse.

Lisser

Utilise un flou gaussien pour réparer l'imperfection.

Options du patch

Ces options vous permettent de personnaliser l'effet du remplissage d'un patch sur une imperfection.

Mute

Permet d'activer ou de désactiver un patch via l'ajout d'images clés. Ce paramètre est très utile pour les imperfections qui n'apparaissent que sur quelques pixels d'une prise.

Variabilité

(Seulement pour les patches de type spatial). En augmentant ce paramètre, la méthode de remplissage sera moins uniforme.

Soft Edges

Permet d'adoucir les bords d'un patch.

Size Adjust

Permet d'ajuster la taille d'un patch après sa création.

Commandes avancées

Ces commandes permettent de personnaliser l'interface de cet effet.

Clone lié à la souris

Lorsque vous dessinez ou placez un rectangle, une ellipse ou un patch en mode Cloner ou Blend clone, activer ce paramètre permet de basculer immédiatement sur le positionnement de la zone d'échantillonnage.

Patches restent sélectionnés

Lorsque ce paramètre est activé, les patches restent sélectionnés après que vous les ayez dessinés, et sont ainsi prêts à être modifiés.

UI Line Thickness

Permet de choisir l'épaisseur des bordures.

Mode de la sortie

Cela vous permet de voir différentes représentations de l'effet du patch que vous êtes en train de créer. Il existe quatre options :

Patched Result

Affiche le résultat final, avec chaque patch réparant l'imperfection qu'il recouvre.

Patch Locations

Affiche un contour contrasté blanc sur noir de chaque patch placé.

Différences

Affiche la différence entre chaque patch et l'image originale.

Différence Amplitude

Affiche une représentation des différences plus prononcée.

Réduction de bruit

Basé sur les commandes de réduction de bruit de la page [Étalonnage](#), le plug-in Resolve FX de réduction de bruit possède deux types de réduction accélérée par GPU, afin d'atténuer le bruit dans les clips problématiques. Les deux méthodes de réduction de bruit peuvent être utilisées ensemble ou séparément, en quantités variables selon les besoins.

Paramètres de réduction de bruit temporelle

Les paramètres de réduction de bruit temporelle analysent plusieurs images afin d'isoler le bruit des détails. Les paramètres d'estimation du mouvement vous permettent d'exclure les sujets en mouvement de cette opération afin d'éviter l'apparition d'artefacts.

Images des deux côtés

Le nombre d'images de chaque côté de l'image actuelle que vous voulez comparer pour séparer les détails du bruit. Vous pouvez choisir entre 0 et 5 images. La valeur 0 ne compare aucune image, tandis que les valeurs plus élevées comparent une plus grande quantité d'images. Plus la valeur de ce paramètre est élevée, plus les calculs informatiques effectués seront importants. Une valeur plus élevée produira donc une meilleure analyse, mais elle peut également provoquer des artefacts lorsque des mouvements rapides sont présents dans l'image. Vous obtiendrez en général de meilleurs résultats avec les images dont le mouvement est rapide en réglant ce paramètre sur 1. Si vous souhaitez utiliser une valeur plus élevée mais que des artefacts apparaissent, vous pouvez également ajuster le paramètre **Motion** pour résoudre ce problème.

Méthode d'Est. du Mo.

Détermine la méthode que DaVinci Resolve utilise pour détecter le mouvement dans l'image. Le traitement du paramètre **Rapide** est moins intensif, mais aussi moins précis. Le paramètre **Meilleure qualité** exclut le mouvement de façon plus précise, mais implique un traitement plus intensif. Le paramètre **Aucune** permet de désactiver l'estimation du mouvement. La réduction de bruit temporelle sera ainsi appliquée à l'image entière.

Amplitude du mouvement

Les paramètres **Petite**, **Modérée** et **Large** vous permettent de régler la vitesse de mouvement que l'estimation du mouvement doit exclure. Le paramètre **Petite** part du principe que les sujets se déplacent lentement avec peu ou aucun flou de bougé, la réduction de bruit temporelle affecte ainsi une plus grande zone de l'image en fonction du seuil du mouvement déterminé. Le paramètre **Large** part du principe qu'un mouvement rapide avec flou de bougé occupe une grande zone de l'image, ce qui exclut la réduction de bruit temporelle sur une plus grande zone de l'image pour le même seuil du mouvement réglé. Lorsque vous ajustez le seuil du mouvement, vous devrez choisir le meilleur compromis entre la réduction de bruit et l'apparition d'artefacts.

Paramètres du seuil temporel

Les paramètres du seuil temporel permettent de contrôler quelles caractéristiques de l'image seront plus ou moins affectées par la réduction de bruit.

Seuil de luma

Ce paramètre détermine la quantité de réduction de bruit temporelle à appliquer à la luminance de l'image. Les valeurs sont comprises entre 0-100. 0 n'applique aucune réduction de bruit et 100 est la

quantité de réduction de bruit maximale. Une valeur trop élevée est susceptible de supprimer les détails de l'image.

Seuil de chroma

Détermine la quantité de réduction de bruit temporelle à appliquer à la chrominance de l'image. Les valeurs sont comprises entre 0-100. 0 n'applique aucune réduction de bruit et 100 est la quantité de réduction de bruit maximale. Une valeur trop élevée est susceptible de supprimer les détails dans les couleurs de l'image. Vous remarquerez toutefois que l'augmentation de ce paramètre est moins susceptible de provoquer des artefacts que celle du paramètre Luma.

Grouper Luma Chroma

En général, les paramètres Luma et Chroma sont groupés. Ainsi, lorsque vous modifiez l'un d'entre eux, l'autre se modifie également. Toutefois, vous pouvez dissocier ces paramètres en désactivant cette case, afin d'attribuer une valeur de réduction de bruit différente à chaque composante de l'image.

Mouvement

Ce paramètre définit le seuil de séparation des pixels en mouvement et des pixels statiques. Les pixels en mouvement se trouvent au-dessus du seuil et les pixels statiques sont au-dessous du seuil. Lorsque vous utilisez le paramètre d'estimation du mouvement, la réduction de bruit temporelle n'est pas appliquée aux zones de l'image qui se situent au-dessus de ce seuil. On évite ainsi l'apparition d'artefacts en excluant les zones de l'image qui sont en mouvement. Les valeurs moins élevées appliquent la réduction de bruit temporelle sur une plus petite zone de l'image, car elles prennent en compte les mouvements subtils. Les valeurs plus élevées appliquent la réduction de bruit temporelle sur une plus grande zone de l'image, car elles demandent un mouvement plus rapide pour l'exclure. Vous pouvez choisir une valeur comprise entre 0 et 100. La valeur 0 n'applique pas de réduction de bruit temporelle aux pixels, et la valeur 100 applique une réduction de bruit temporelle à tous les pixels. La valeur par défaut est de 50. Elle constitue un bon compromis pour de nombreux clips. Si la valeur du paramètre **Mouvement** est trop élevée, il se peut que des artefacts apparaissent dans les zones de l'image en mouvement.

Fondu

Ce paramètre offre un fondu entre l'image affectée par les paramètres de réduction de bruit temporelle à 0.0, et l'image sans réduction de bruit à 100.0. Il vous permet ainsi de trouver un compromis lorsque vous utilisez une réduction de bruit temporelle prononcée.

Paramètres de réduction de bruit spatiale

Les paramètres de réduction de bruit spatiale permettent d'unifier les zones de l'image affectées par un bruit de haute fréquence, tout en conservant leurs détails. C'est très efficace pour réduire le bruit qui n'a pas pu être supprimé par la réduction de bruit temporelle.

Mode

Ce menu vous permet de basculer la réduction de bruit entre trois algorithmes différents. Les trois modes utilisent tous les mêmes commandes, vous pouvez donc passer d'un mode à l'autre avec les mêmes paramètres et ainsi comparer vos résultats.

Rapide

Utilise une méthode computationnelle de réduction de bruit légère, qui fonctionne bien lorsque les valeurs sont basses, mais qui est susceptible de produire des artefacts lorsque les valeurs sont élevées.

Meilleure qualité

Basculer les commandes de la réduction spatiale sur un algorithme de plus haute qualité, qui produit généralement de meilleurs résultats que le mode Rapide. Cependant, ce mode est plus intense en temps processeur et ne vous permet pas de découpler les curseurs des seuils de luma et de chroma pour effectuer des ajustements individuels.

Amélioré

Préserve la netteté des images et les détails de manière bien plus optimale lorsque vous augmentez les curseurs du seuil spatial pour éliminer le bruit. L'amélioration est particulièrement visible lorsque les curseurs du seuil spatial sont réglés sur des valeurs élevées, sachant que ce qui est considéré comme « élevé » varie selon les images sur lesquelles vous travaillez. À des valeurs plus basses, l'amélioration est plus subtile en comparaison avec le mode **Meilleure qualité**, qui est moins intense en temps processeur. De plus, ce mode vous permet de découpler les curseurs des seuils de luma et chroma, afin d'ajouter des quantités différentes de réduction de bruit à chaque composant de couleur.

Rayon

Les options disponibles sont **Large**, **Modéré** et **Petit**. Un plus petit rayon offre une meilleure performance en temps réel et produit de bons résultats lorsque les valeurs du seuil de luminance et de chrominance sont basses. Toutefois, cela peut provoquer plus de crénelage dans les zones comprenant des détails.

Plus le rayon est grand, plus la qualité des détails sera bonne lorsque les seuils de luminance et de chrominance sont élevés. Toutefois, cela réduira la performance du traitement. Lorsque ce paramètre ainsi que les paramètres du seuil de réduction de bruit sont réglés sur des valeurs moyennes, la qualité de la plupart des images sera bonne. Comme pour beaucoup d'opérations, il faut trouver un compromis entre la qualité et la vitesse.

Paramètres du seuil spatial

Les paramètres du seuil spatial permettent de contrôler quelles caractéristiques de l'image seront plus ou moins affectées par la réduction de bruit.

Luma

Ce paramètre détermine la quantité de réduction de bruit à appliquer à la luminance de l'image. Les valeurs sont comprises entre 0-100. 0 n'applique aucune réduction de bruit et 100 est la quantité de réduction de bruit maximale. Une valeur trop élevée est susceptible de supprimer les détails de l'image.

Chroma

Ce paramètre permet de déterminer la quantité de réduction de bruit à appliquer à la chrominance de l'image en unifiant les zones de bruit de haute fréquence, et en essayant de préserver la netteté des contours. Les valeurs sont comprises entre 0-100. 0 n'applique aucune réduction de bruit et 100 est la quantité de réduction de bruit maximale. Une valeur trop élevée est susceptible de supprimer les détails dans les couleurs de l'image. Vous remarquerez toutefois que l'augmentation de ce paramètre est moins susceptible de provoquer des artefacts que celle du paramètre Luma.

Grouper Luma Chroma

En général, les paramètres Luma et Chroma sont groupés. Ainsi, lorsque vous modifiez l'un d'entre eux, l'autre se modifie également. Toutefois, vous pouvez dissocier ces paramètres afin d'attribuer une valeur de réduction de bruit différente à chaque composante de l'image. Par exemple, si un certain niveau de réduction de bruit fait perdre trop de détails à l'image, mais que vous trouvez qu'il y a plus de grains de couleurs que de bruit dans la luminance, vous pouvez réduire le seuil de luminance afin de conserver les détails de l'image et augmenter le seuil de chrominance afin d'éliminer le bruit dans les couleurs.

Fondu

Ce paramètre offre un fondu entre l'image affectée par les paramètres de réduction de bruit spatiales à 0.0, et l'image sans réduction de bruit à 100.0. Il vous permet ainsi de trouver un compromis lorsque vous utilisez une réduction de bruit spatiale prononcée.

Global Blend

Fondu

Permet de faire un fondu entre l'image sans réduction de bruit à 1.0 et l'image avec à la fois la réduction de bruit spatiale et la réduction de bruit temporelle à leurs réglages actuels à 0.0.

Utiliser la réduction de bruit

La procédure suivante propose une méthode d'utilisation des paramètres de réduction de bruit NR pour arriver à un résultat contrôlé.

Appliquer une réduction de bruit à une image :

- 1 La réduction de bruit peut être activée en choisissant le nombre d'images entre 1 et 5 dans le menu **Image**. Plus vous augmentez le nombre d'images, plus le temps d'exportation sera long et, en fonction de votre matériel, il se pourrait que le résultat ne soit pas significativement meilleur.
- 2 Réglez les paramètres **Méthode d'Est. du Mo.** et **Amplitude du mouvement** en fonction du mouvement de l'image. Si votre image comprend beaucoup de mouvement, vous pourrez choisir entre **Meilleure qualité** et **Large**. Si l'image ne comprend pas beaucoup de mouvement, réglez ces paramètres sur les autres options.
- 3 Une fois que le seuil de luma et de chroma sont liés, augmentez doucement l'un ou l'autre des paramètres jusqu'à ce que vous commenciez à voir une réduction de bruit dans les zones qui ne bougent pas. Puis, effectuez des ajustements plus légers pour déterminer la quantité maximale que vous pouvez ajouter sans créer d'artéfacts ou sans trop lisser les détails.
- 4 Si, dans l'image, le bruit de luminance est plus important que le bruit de chrominance, vous pouvez désactiver le lien Luma/Chroma pour régler la réduction de bruit Luma à un niveau acceptable. Vous pouvez ensuite augmenter le seuil de la chrominance pour corriger les grains de couleur de l'image.
- 5 Si vous n'êtes pas satisfait par l'équilibre entre le seuil maximum de réduction de bruit et la prévention des artefacts de mouvements, vous pouvez ajuster le paramètre de seuil du mouvement. En le réduisant vous omettez davantage de mouvement de l'opération de réduction de bruit, tandis qu'en l'augmentant vous incluez davantage de mouvement. Si vous n'êtes toujours pas satisfait, vous pouvez modifier les paramètres **Méthode d'Est. du Mo.** et **Amplitude du mouvement**.

L'atout principal de la réduction de bruit temporelle est de réduire le bruit dans les zones immobiles de l'image. Lorsque vous êtes parvenu à trouver un équilibre entre la réduction de bruit dans les zones immobiles et la pixélisation dans les zones en mouvement, vous pouvez alors activer la réduction de bruit spatiale pour réduire encore davantage le bruit dans le reste de l'image.

- 6 Activez la réduction de bruit spatiale en augmentant le seuil des paramètres de luminance et de chrominance, groupés par défaut. Augmentez le seuil jusqu'à ce que vous trouviez un équilibre entre la réduction de bruit et une image dont les détails n'ont pas été trop adoucis.
- 7 Il est recommandé de choisir l'option **Amélioré** dans le menu de réduction de bruit spatiale, car il produit le meilleur résultat possible. Cependant, cela requiert un processeur puissant. Ainsi, si vous souhaitez obtenir un niveau de performance en temps réel de qualité, vous pouvez commuter sur l'option **Rapide** pour comparer les résultats.
- 8 Si, dans l'image, le bruit de chrominance est plus important que le bruit de luminance, vous pouvez désactiver le lien Luma/Chroma pour régler la réduction de bruit Luma à un niveau acceptable. Vous pouvez ensuite augmenter le seuil de chrominance pour appliquer davantage de réduction de bruit spatiale afin de corriger les grains de couleur de l'image.
- 9 Si les paramètres de réduction de bruit spatiale Luma et Chroma sont réglés sur une forte réduction de bruit et si un repliement de spectre est appliqué à certaines zones de l'image, réglez le paramètre **Rayon** sur l'option **Large** afin d'effectuer une analyse détaillée de la scène.

Cela permet d'obtenir une meilleure qualité visuelle. Cependant, un réglage élevé du rayon requiert un processeur puissant. Si le processeur que vous utilisez n'est pas adapté, ses performances en temps réel peuvent être réduites.

- 10 Si vous avez trouvé des paramètres de réduction de bruit qui vous conviennent, mais que le résultat est trop agressif et trop prononcé, vous pouvez modifier les paramètres de fondu de la réduction de bruit temporelle et spatiale pour mélanger la réduction de bruit obtenue à l'aide des différents réglages et de l'image originale.

Essayer d'appliquer la réduction de bruit temporelle en premier, puis d'appliquer la réduction de bruit spatiale

Comme la réduction de bruit temporelle analyse plusieurs images pour isoler le bruit, elle a tendance à mieux conserver les détails dans les parties de l'image où il y a peu de mouvement. Si vous essayez d'appliquer la réduction de bruit temporelle en premier et que vous êtes satisfait du résultat, même si c'est seulement dans une partie de l'image, il est judicieux de réduire la quantité de réduction de bruit spatiale à appliquer, et ainsi d'améliorer la qualité générale du rendu final.

Gardez à l'esprit que si la réduction de bruit temporelle est un outil très performant sur les parties immobiles d'une image, elle est moins efficace lorsqu'il y a des sujets en mouvement. La réduction de bruit spatiale peut réduire le bruit partout dans l'image qui se trouve sous le seuil, même quand il y a du mouvement. Finalement, effectuer une combinaison des deux réductions est une valeur sûre.

Quelle taille pour le rayon de réduction de bruit spatiale ?

Un rayon de réduction de bruit plus grand peut améliorer considérablement la qualité des zones avec un grand nombre de détails dans des prises où vous appliquez beaucoup de réduction de bruit spatiale. Cependant, il n'est pas toujours nécessaire de sauter sur le réglage le plus large, qui fournit une plus grande précision. Dans pas mal de cas, lorsque vous contrôlez une image à laquelle vous appliquez une réduction de bruit, la qualité supplémentaire ne sera même pas perceptible. Vous allez donc perdre du temps de traitement pour appliquer un niveau de correction qui n'est pas nécessaire.

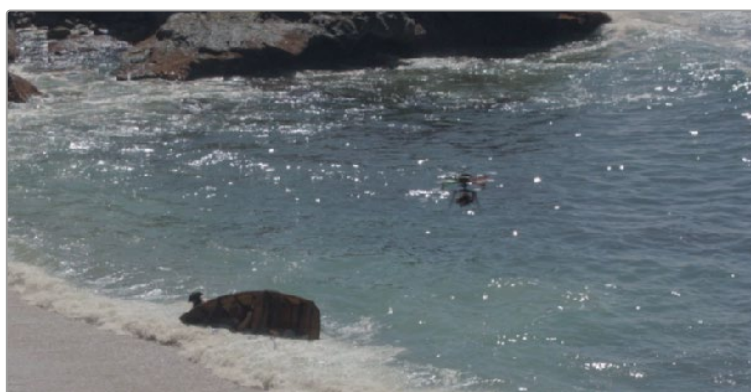
Il est judicieux d'évaluer l'intégralité de l'image sur un écran assez grand qui vous permette de voir le bruit sur lequel vous travaillez dans le même contexte que le public final. Si vous zoomez trop dans un clip tout en appliquant une réduction de bruit, vous aurez tendance à utiliser les paramètres d'une qualité plus élevée que nécessaire. En effet, vous verrez beaucoup trop de détails qui ne seront pas visibles une fois les images à la bonne taille.

Plug-in Suppression des objets

Le plug-in Suppression des objets est plus performant depuis la page **Étalonnage**. Il utilise le DaVinci Neural Engine pour essayer de supprimer un objet dans l'image de manière la plus automatique possible. Ce plug-in est plus efficace si vous supprimez un objet en mouvement qui passe devant un arrière-plan temporairement stable, ou s'il y a de la saleté sur l'objectif d'une prise lorsque la caméra est en mouvement. Les objets les plus petits donnent de meilleurs résultats que les gros objets, même si les résultats dépendent vraiment des images. Vous trouverez ici une procédure simple qui vous montrera comment faire.

Pour supprimer un objet en mouvement d'un clip :

- 1 Dans cet exemple, on voit un drone voler dans une prise qui est en train d'être enregistrée. Nous allons supprimer le drone avec une fenêtre pour identifier l'élément à supprimer à l'aide du plug-in Suppression des objets.



La prise originale avec le drone à supprimer

La solution la plus facile est souvent d'appliquer l'effet de suppression des objets à un nœud correcteur, afin d'utiliser une fenêtre ou un sélecteur à l'intérieur de ce nœud pour isoler l'élément à supprimer. C'est ce que nous allons faire dans cet exemple.

- 2 Utilisez la palette Window pour dessiner une fenêtre autour de l'objet à supprimer. Pour obtenir de meilleurs résultats, utilisez des fenêtres ou des masques qui entourent le plus près possible l'élément à supprimer.
- 3 Trackez la fenêtre ou utilisez une image clé pour vous déplacer avec l'élément que vous supprimez. Encore une fois, plus la fenêtre est resserrée autour de l'élément à supprimer, plus le résultat sera satisfaisant. Il est également conseillé de tracer les bords de la fenêtre de manière souple.



L'objet à supprimer est isolé avec une fenêtre

- 4 Glissez et déposez le plug-in de suppression des objets dans le nœud avec lequel vous venez d'isoler l'élément à supprimer.

- 5 L'option **Utiliser le canal alpha OFX** s'activera automatiquement dans le menu contextuel du nœud pour permettre au plug-in d'utiliser les incrustations qui ont été créées dans ce nœud.
- 6 Cliquez sur le bouton **Analyser** et attendez que l'analyse soit finalisée. Si l'objet que vous supprimez est en mouvement alors que la caméra est fixe, vous pouvez cocher la case **Sans mouvement** pour améliorer les résultats.

Si votre vidéo est idéale pour la suppression d'objet, l'objet disparaîtra une fois l'analyse finalisée et il sera remplacé par un arrière-plan parfaitement intégré créé à partir des détails trouvés dans les images voisines.

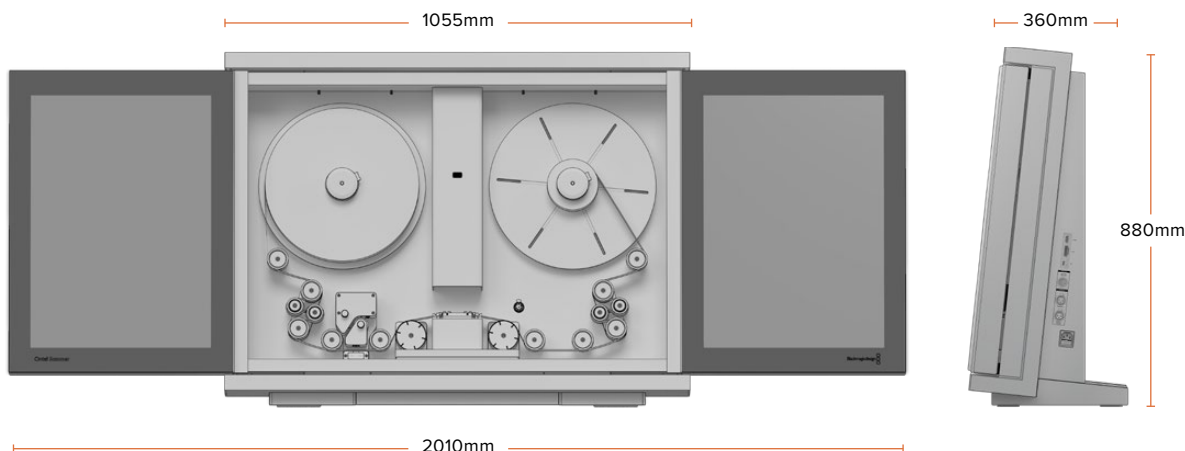


La suppression de l'objet est finalisée

Le plug-in de suppression des objets dépend grandement de votre vidéo, et vous n'obtiendrez pas toujours un tel résultat aussi facilement. Les problèmes avec le résultat sont affichés en gris ; soit par des franges grises, soit par du gris uni remplissant la fenêtre de remplacement. Le gris vous montre où les paramètres actuels ne parviennent pas à trouver le contenu d'arrière-plan avec lequel remplir la zone que vous supprimez. Si cela arrive, il existe deux moyens pour y remédier.

- Si vous remarquez lors de la lecture du résultat analysé que le masque de suppression des objets présente des franges grises sur certaines images, vous pouvez essayer d'ajuster le curseur **Plage de recherche**. Il représente la distance en images, à partir de l'image actuelle, à laquelle le plug-in va rechercher des détails de remplacement. Par exemple, si la plage de recherche est de 20, il va rechercher à +/-20 images depuis l'emplacement actuel, soit un total de 40 images. L'allocation de 10 images signifie qu'il va regarder toutes les 4 images. Vous obtiendrez généralement les meilleurs résultats avec la plage la plus petite qui donnera des résultats acceptables.
- Si le masque de suppression des objets est rempli intégralement de gris sur certaines images, cela signifie que le remplissage de l'arrière-plan ne pouvait pas aisément être généré à partir de ces images. Dans ce cas, vous pouvez essayer de cliquer sur **Générer plaque propre**. La fonctionnalité essaiera de faire la meilleure estimation pour générer un arrière-plan qui remplira l'image et qui s'intégrera avec succès.
- Si la zone est remplie correctement mais que le résultat ne se fond pas assez bien avec l'arrière-plan, vous pouvez essayer de changer le mode de fondu. Il est réglé par défaut sur **Linéaire**, qui est une simple opération de clonage. Mais vous pouvez également choisir **Fondu d'adaptation**, qui fournira de meilleurs résultats, sauf dans certaines situations où les bords de la zone de remplacement ont une couleur ou une luminosité différentes de l'arrière-plan.
- Le menu **Mode scène** offre différentes méthodes d'analyse de la scène pour mieux comprendre comment la zone qui a besoin d'être remplacée bouge, afin de déterminer comment remplir le vide laissé par l'objet supprimé. Le paramètre **Arrière-plan analyse** l'image entière, sauf la zone de l'objet. Le paramètre **Contour analyse** le contour de la zone qui entoure la zone de l'objet. Le paramètre **Objet analyse** un objet qui bouge avec l'arrière-plan, comme un autocollant placé sur une fenêtre pendant que la caméra se déplace.

Spécifications



Poids : 60 kg (132 lb) vide. Dimensions, montage mural : Hauteur - 785mm, Profondeur - 265mm.

Caractéristiques du scanner

Films

- Positif, négatif, interpositif, internégatif.
- Mono et couleur.

Formats de film

- 35mm :
2, 3, 4 perforations
- Super 35mm :
2, 3, 4 perforations
- 16mm
- Super 16mm
- 8mm
- Super 8mm

Résolution native

4096 x 3072

Résolutions effectives

- 3840 x 2880 - Super 35
- 3390 x 2465 - Standard 35
- 3390 x 2865 - Anamorphique 35
- 1903 x 1143 - Super 16
- 1581 x 1154 - Standard 16
- 892 x 638 - Super 8
- 752 x 567 - Standard 8

Audio

Extraction à partir de l'image scannée.

Formats HDMI

3840 x 2160 Ultra HD ou 1920 x 1080 HD, sélection automatique correspondant à la résolution du moniteur.

Réduction de la poussière et des rayures

- Source de lumière diffuse
- Galets nettoyants

Options de montage

- Montage sur bureau
- Montage mural

Plage dynamique

- Numérisation normale :
12 diaphragmes
- Numérisation HDR :
jusqu'à 3,5 diaphragmes supplémentaires

Caractéristiques du transport du film

Mouvement continu

Vitesse

1 - 30 im/s

Shuttle

- 1 - 100 im/s (35mm)
- 1 - 200 im/s (16mm)

Tolérance de rétrécissement du film

Jusqu'à 2% garanti

Accélération

5 - 30 im/s

Capacité

2000ft (35mm)

Connexions

Sortie vidéo HDMI

1 x HDMI 1.4 10 bits 4:2:2 pour la prévisualisation uniquement.

Options de l'interface

XLR6

Interface² de l'ordinateur

- Port Thunderbolt™ 3 pour la capture de l'image et de l'audio, et les mises à jour logicielles. Prend en charge le chargement via USB-C avec 15W à 5V.

- PCI Express à 4 lignes de génération 2.

¹ Résolution de la zone rognée de l'image.

² Le Cintel Scanner ne possède qu'un port Thunderbolt 2.

³ Cintel Scanner 2 ou ultérieur.

Sortie biphas/timecode³

- Bi-phase 4,5 volts couplée en DC
- Timecode 1,5 volts couplée en DC
- Prise en charge du timecode pour 24, 25 et 30 im/s

Entrées audio analogique

2 canaux audio symétriques analogiques professionnels avec convertisseur de fréquence d'échantillonnage via des connecteurs XLR à 10dBV.

Entrée audio AES/EBU

2 canaux avec convertisseur de fréquence d'échantillonnage sur le connecteur XLR.

Alimentation requise

Plage de tension

AC 90 - 240V

Alimentation

200W

Fusible

T5AL' 20mm

Conditions d'exploitation optimales

Température d'utilisation

18 - 28°C

Humidité relative

Maximum 65% sans condensation.

Systèmes d'exploitation

Mac, Windows et Linux

Accessoires

- Cintel Audio and KeyCode Reader

- Cintel Scanner 16mm Gate HDR

- Cintel Scanner 8mm Gate HDR

- Cintel Scanner 35mm Gate HDR

- Cintel Cleaning Roller Kit

- Blackmagic PCI Express Cable Kit

Audio and KeyCode Reader

Égalisation

SMPTÉ pour l'audio optique,
IEC pour l'audio magnétique

Vitesses de numérisation de KeyCode prises en charge

Toutes les vitesses du scanner

Type de LED

Deep RED pour l'audio optique
et le KeyCode

Vitesses de numérisation audio prises en charge

6 im/s - 125% de la fréquence
d'images du film

Par ex. une fréquence
d'images de 24 im/s a une
vitesse de numérisation
maximale de 30 im/s et une
pellicule 16mm a une limite
minimale de 12 im/s.

Types d'audio optique pris en charge

- Densité fixe

- Densité variable

Taux d'échantillonnage et profondeur de bits audio

Fichier WAV 48kHz et 24 bits
PCM

Audio optique 35mm

Bande passante

40Hz-16kHz +-2dB

Rapport⁴ signal sur bruit SnR

Support de film transparent
-65dB

Pleurage et scintillement⁵

< 0.15%

Audio optique 16mm

Bande passante

40Hz-7kHz +-2dB

Rapport⁴ signal sur bruit SnR

Support de film transparent
-65dB

Pleurage et scintillement⁵

< 0.3%

Bande magnétique à une perforation 16mm

Pression de la tête

15 grammes

Bande passante⁶

32Hz-14kHz +-2dB

Rapport⁴ signal sur bruit SnR

-55dB

Pleurage et scintillement⁵

< 0.3%

Niveau de modulation

-18dBFS

Niveau⁷ du casque

-18dBu pour une charge de 50Ω

Connexion audio

XLR6

Interface pour l'ordinateur

USB-C pour les mises à jour
logicielles.

Consommation d'énergie

10W à 12V DC

Dimensions

Hauteur: 156 mm

Largeur : 92 mm

Profondeur : 106 mm

Poids : 1,35 kg

⁴ Le rapport signal sur bruit (SnR) est mesuré en fréquence uniforme.

⁵ Le pleurage et le scintillement sont mesurés selon la norme IEC 386.

⁶ Théoriquement, la bande passante de l'audio magnétique est de 20-20kHz, mais il n'existe pas de matériel de test pour la quantifier.

⁷ La sortie casque permet uniquement de donner un aperçu de l'audio.

Avis réglementaires



Élimination des déchets d'équipements électriques et électroniques au sein de l'Union européenne.

Le symbole imprimé sur ce produit indique qu'il ne doit pas être jeté avec les autres déchets. Cet appareil doit être déposé dans un point de collecte agréé pour être recyclé. Le tri, l'élimination et le recyclage séparés de vos équipements usagés permettent de préserver les ressources naturelles et d'assurer le recyclage de ces équipements dans le respect de l'homme et de l'environnement. Pour plus d'informations quant aux lieux d'éliminations des déchets d'équipements électriques, vous pouvez contacter votre mairie ou le service local de traitement des ordures ménagères.



Cet équipement a été testé et déclaré conforme aux limites imposées aux appareils numériques de classe A, en vertu du chapitre 15 des règles de la FCC. Ces limites ont pour objectif d'assurer une protection suffisante contre les interférences nuisibles lorsque l'équipement est utilisé dans un environnement commercial. Cet équipement génère, utilise et peut dégager de l'énergie de radiofréquence et, s'il n'est pas installé et utilisé conformément aux manuels d'utilisation, peut provoquer un brouillage préjudiciable aux communications radio. L'utilisation de cet équipement en zone résidentielle est susceptible de provoquer des interférences nuisibles, auquel cas il sera demandé à l'utilisateur de corriger ces interférences à ses frais.

L'utilisation de cet appareil est soumise aux deux conditions suivantes :

- 1 Cet appareil ne doit pas causer d'interférences nuisibles.
- 2 Cet appareil doit accepter toute interférence reçue, y compris les interférences pouvant entraîner un dysfonctionnement.



MSIP-REM-BMD-201602002



Déclaration de ISDE Canada

Cet appareil est conforme aux normes canadiennes relatives aux appareils numériques de Classe A.

Toute modification ou utilisation de ce produit en dehors de son utilisation prévue peut annuler la conformité avec ces normes.

Les connexions aux interfaces HDMI doivent être effectuées avec des câbles HDMI blindés d'excellente qualité.

Cet équipement a été testé pour être en conformité avec une utilisation prévue dans un environnement commercial. Si cet équipement est utilisé dans un environnement domestique, il peut provoquer des interférences radio.

Informations de sécurité

Pour une protection contre les décharges électriques, cet appareil doit être connecté à une prise secteur équipée d'un conducteur de protection. En cas de doute, veuillez contacter un électricien qualifié.

Afin de réduire le risque de décharge électrique, ne pas éclabousser ou renverser de liquide sur cet appareil.

Cet appareil peut être utilisé dans un climat tropical lorsque la température ambiante n'excède pas 40°C. (Notez cependant que les températures idéales pour le film se situent entre 18 et 28 degrés Celsius).

Veillez à ce que l'espace autour du produit soit suffisant afin de ne pas compromettre la ventilation.

Les pièces de cet appareil ne sont pas réparables par l'opérateur. Toute opération d'entretien doit être effectuée par un centre de service Blackmagic Design.



Cet appareil doit être utilisé à une altitude inférieure à 2000 mètres.



AVERTISSEMENT

Le scanner Cintel peut peser jusqu'à 70kg lorsqu'un film y est installé. Il est donc beaucoup plus lourd qu'un grand écran de télévision standard. Si vous n'êtes pas sûr que la capacité structurale du mur ou du bureau puisse supporter le poids total du scanner et du film, il vous faudra demander conseil à un ingénieur qualifié afin qu'il analyse la sécurité de l'installation. Une mauvaise installation pourrait provoquer la chute du scanner et causer de graves blessures, voire la mort.

Installer le scanner sur un bureau

Lorsque vous installez le scanner sur votre bureau, et notamment si vous êtes sous le scanner pour fixer les vis, veuillez vous assurer que la surface de travail est bien plate et stable. Les supports de montage et les fixations doivent être suffisamment solides pour supporter le poids du scanner. Si la surface de travail n'est pas suffisamment solide pour supporter le poids du scanner, le scanner pourrait tomber et causer de graves blessures à l'utilisateur.

Fixer le scanner au mur

Lorsque vous montez le scanner au mur, assurez-vous que l'endroit du mur où le scanner est placé supportera son poids pendant des périodes prolongées. Si la surface de travail n'est pas suffisamment solide pour supporter le poids du scanner sur le long terme, le scanner pourrait tomber et causer de graves blessures à l'utilisateur. N'installez pas le scanner à des endroits qui ne pourront pas supporter son poids. Les supports de montage et les fixations doivent être suffisamment solides pour supporter le poids du scanner. Si la capacité de portée n'est pas suffisante, le scanner pourrait tomber et causer de graves blessures à l'utilisateur.

L'installation du scanner sur un bureau ou un mur DOIT être effectuée par plus d'une personne. N'essayez pas de l'installer seul.

Opération

L'utilisateur devra manipuler les différents éléments du scanner pour le faire fonctionner. Le chargement du film s'effectue manuellement. Il est important de savoir que les pièces en mouvement peuvent présenter des risques de blessure. Veillez à ne pas toucher le scanner avec vos mains ou d'autres parties du corps lors de la numérisation.

Déclaration de l'État de Californie

Ce produit est susceptible de vous exposer à des produits chimiques, dont des traces de polybromobiphényle dans les parties en plastique, reconnu par l'État de Californie comme étant responsable de cancers, d'anomalies congénitales ou d'autres effets nocifs sur la reproduction.

Pour de plus amples informations, veuillez vous rendre sur www.P65Warnings.ca.gov.

Avertissement destiné aux techniciens agréés



Assurez-vous que le courant des deux prises est bien coupé avant toute opération d'entretien.

Aide

Le moyen le plus rapide d'obtenir de l'aide est d'accéder aux pages d'assistance en ligne de Blackmagic Design et de consulter les dernières informations concernant votre scanner Cintel.

Pages d'assistance en ligne de Blackmagic Design

Les dernières versions du manuel, du logiciel et des notes d'assistance peuvent être consultées sur la page d'assistance technique de Blackmagic Design : www.blackmagicdesign.com/fr/support.

Forum Blackmagic Design

Le forum Blackmagic Design est une source d'information utile qui offre des idées innovantes pour vos productions. Cette plateforme d'aide vous permettra également d'obtenir des réponses rapides à vos questions, car un grand nombre de sujets peuvent avoir déjà été abordés par d'autres utilisateurs. Pour vous rendre sur le forum : <http://forum.blackmagicdesign.com/fr>

Contacter le service d'assistance de Blackmagic Design

Si vous ne parvenez pas à trouver l'aide dont vous avez besoin dans les pages d'assistance ou sur notre forum, veuillez utiliser l'option « Envoyez-nous un email », accessible sur la page d'assistance pour envoyer une demande d'aide par email. Vous pouvez également cliquer sur le bouton « Trouver un support technique » situé sur la page d'assistance pour contacter le centre d'assistance technique Blackmagic Design le plus proche de chez vous.

Vérification du logiciel actuel

Pour vérifier quelle version de DaVinci Resolve est installée sur votre ordinateur Mac, Windows ou Linux, ouvrez DaVinci Resolve. Sous le menu DaVinci Resolve, cliquez sur l'intitulé **À propos de DaVinci Resolve** pour voir le numéro de version du logiciel.

Pour vérifier quelle version du logiciel Cintel Scanner est installée sur votre Mac, Window ou Linux, ouvrez l'utilitaire Cintel Setup. Allez sur l'onglet **About** pour voir le numéro de version du logiciel.

Comment obtenir les dernières mises à jour

Après avoir vérifié la version des logiciels DaVinci Resolve et Cintel Scanner installés sur votre ordinateur, rendez-vous sur le centre d'assistance Blackmagic Design à l'adresse suivante www.blackmagicdesign.com/fr/support pour prendre connaissance des dernières mises à jour disponibles. Même s'il est généralement conseillé d'exécuter les dernières mises à jour, il est prudent d'éviter d'effectuer une mise à jour logicielle au milieu d'un projet important.

Créer un rapport d'état

Le logiciel Cintel Scanner vous permet d'envoyer un rapport d'état au centre d'assistance Blackmagic Design pour vous aider à diagnostiquer et à résoudre les problèmes. Si vous disposez également d'un Audio and KeyKode Reader, vous pouvez également générer un rapport d'état pour cet appareil.

Pour générer un rapport d'état, lancez l'utilitaire Cintel Setup, puis cliquez sur l'onglet **About**. Dans la section **Device Information**, cliquez sur **Create**. Un fichier HTML sera généré, ce qui vous permettra de lire rapidement l'état du Cintel Scanner et de l'Audio and KeyKode Reader.

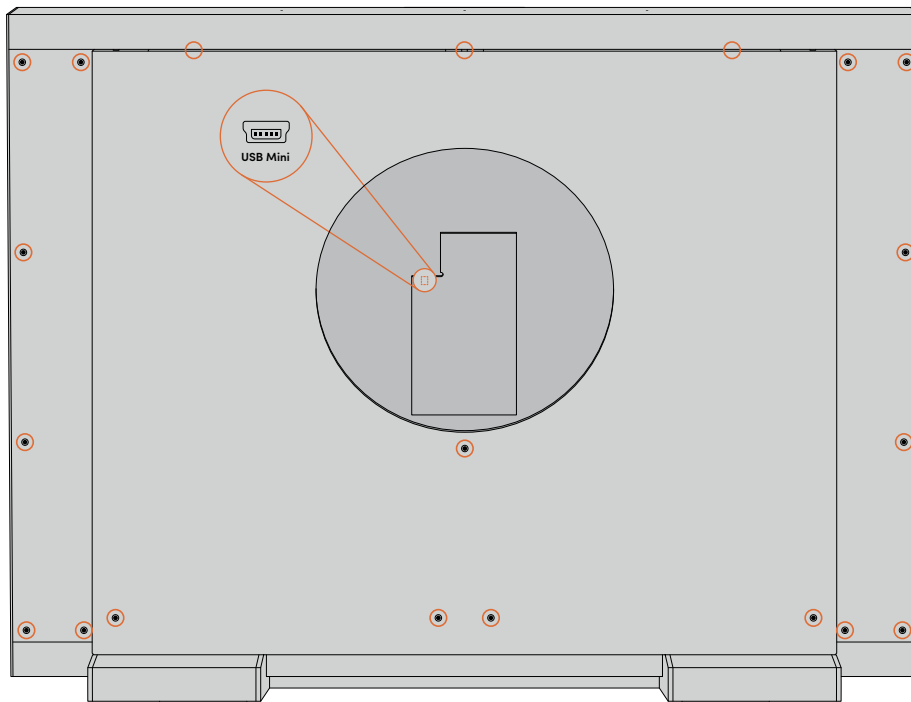
Récupération via USB

Dans le cas peu probable d'une interruption de la mise à jour, ou si vous rencontrez un problème durant la mise à jour et que votre Cintel ne répond plus, vous pouvez brancher votre ordinateur au port USB de récupération.

Lorsque la récupération via USB est disponible, votre Cintel est alimenté via USB et le voyant LED près du port Thunderbolt s'allume en vert. Si le voyant LED s'allume en rouge, vous devrez contacter le centre d'assistance Blackmagic Design.

- 1 Retirez le panneau arrière du Blackmagic Cintel Scanner. Le port de récupération USB se situe au centre, près de la partie supérieure du scanner. Il est à côté de la carte circuit, et vous pouvez le voir lorsque vous regardez le haut du Cintel Scanner.

REMARQUE Si vous n'avez pas directement accès au panneau arrière et que vous devez déplacer le scanner, demandez de l'aide à une deuxième personne et utilisez un support solide, car cet appareil est lourd. Pour plus d'informations, consultez la section « Accessoires et installer » de ce manuel.



Retirez le panneau arrière pour accéder au port USB de récupération

- 2 Connectez votre ordinateur au port USB de récupération à l'aide d'un câble USB mini-B.

- 3 Téléchargez la version la plus récente du logiciel Cintel Scanner sur le site Internet de Blackmagic Design et installez-la sur votre ordinateur. L'utilitaire Cintel Setup détectera que votre ordinateur est branché au port de récupération USB du Cintel Scanner. Cliquez sur **Update Now**.



Le logiciel Cintel Scanner détectera que votre ordinateur est branché au port de récupération USB du Cintel Scanner.

- 4 Après la mise à jour de récupération, votre Cintel Scanner devrait désormais utiliser la dernière version du logiciel et fonctionner normalement. Pour vérifier si la mise à jour a bien été effectuée, déconnectez le câble USB, puis connectez le câble Thunderbolt, et enfin redémarrez votre scanner.
- 5 Remettez le panneau arrière, puis réinstallez votre Cintel Scanner dans sa position de fonctionnement normale. Si vous avez besoin d'aide supplémentaire, vous pouvez vous rendre sur le forum Blackmagic Design ou nous contacter via le centre d'assistance Blackmagic Design.

Garantie

Garantie limitée à 12 mois

Par la présente, Blackmagic Design garantit que ce produit sera exempt de défauts matériels et de fabrication pendant une durée d'un an à compter de la date d'achat. Si un produit s'avère défectueux pendant la période de garantie, Blackmagic Design peut, à sa seule discrétion, réparer le produit défectueux sans frais pour les pièces et la main-d'œuvre, ou le remplacer. Pour se prévaloir du service offert en vertu de la présente garantie, il vous incombe d'informer Blackmagic Design de l'existence du défaut avant expiration de la période de garantie, et de prendre les mesures nécessaires pour l'exécution des dispositions de ce service. Le consommateur a la responsabilité de s'occuper de l'emballage et de l'expédition du produit défectueux au centre de service nommément désigné par Blackmagic Design, en frais de port prépayé. Il incombe au consommateur de payer tous les frais de transport, d'assurance, droits de douane et taxes et toutes autres charges relatives aux produits qui nous auront été retournés et ce, quelle que soit la raison.

La présente garantie ne saurait en aucun cas s'appliquer à des défauts, pannes ou dommages causés par une utilisation inappropriée ou un entretien inadéquat ou incorrect. Blackmagic Design n'est en aucun cas obligé en vertu de la présente garantie : a) de réparer les dommages résultant de tentatives de réparations, d'installations ou tous services effectués par du personnel non qualifié par Blackmagic Design, b) de réparer tout dommage résultant d'une utilisation inadéquate ou d'une connexion à du matériel incompatible, c) de réparer tout dommage ou dysfonctionnement causé par l'utilisation de pièces ou de fournitures n'appartenant pas à la marque de Blackmagic Design, d) d'examiner un produit qui a été modifié ou intégré à d'autres produits quand l'impact d'une telle modification ou intégration augmente les délais ou la difficulté d'examiner ce produit.

CETTE GARANTIE REMPLACE TOUTE GARANTIE EXPLICITE OU TACITE. BLACKMAGIC DESIGN ET SES REVENDEURS DÉCLINENT EXPRESSÉMENT TOUTE GARANTIE IMPLICITE DE COMMERCIALISATION OU D'ADAPTATION QUEL QU'EN SOIT LE BUT. LA RESPONSABILITÉ DE BLACKMAGIC DESIGN DE RÉPARER OU REMPLACER UN PRODUIT S'AVÉRANT DÉFECTUEUX PENDANT LA PÉRIODE DE LA GARANTIE CONSTITUE LA TOTALITÉ ET LE SEUL RECOURS EXCLUSIF PRÉVU ET FOURNI AU CONSOMMATEUR. BLACKMAGIC DESIGN N'EST PAS RESPONSABLE DES DOMMAGES INDIRECTS, SPÉCIFIQUES, ACCIDENTELS OU CONSÉCUTIFS, INDÉPENDAMMENT DU FAIT QUE BLACKMAGIC DESIGN OU LE REVENDEUR AIENT ÉTÉ AVISÉS AU PRÉALABLE DE L'ÉVENTUALITÉ DE CES DOMMAGES. BLACKMAGIC DESIGN NE PEUT ÊTRE TENU POUR RESPONSABLE DE TOUTE UTILISATION ILLICITE DU MATÉRIEL PAR LE CONSOMMATEUR. BLACKMAGIC DESIGN N'EST PAS RESPONSABLE DES DOMMAGES RÉSULTANT DE L'UTILISATION DE CE PRODUIT. LE CONSOMMATEUR UTILISE CE PRODUIT À SES SEULS RISQUES.

© Copyright 2024 Blackmagic Design. Tous droits réservés. 'Blackmagic Design', 'Cintel', 'DeckLink' et 'DaVinci Resolve' sont des marques déposées aux États-Unis et dans d'autres pays. Tous les autres noms de société et de produits peuvent être des marques déposées des sociétés respectives auxquelles ils sont associés.

April 2024

Installations- und Bedienungsanleitung

Blackmagicdesign 

Cintel Scanner



Cintel Scanner



Willkommen

Vielen Dank, dass Sie sich für einen Cintel Scanner entschieden haben!

Ihre neue Errungenschaft spielt Film in Echtzeit ab, sodass Sie Ihren Analogfilm viel schneller digitalisieren können als mit üblichen Abtastern, die mit einer kontinuierlichen Start-Stopp-Bewegung arbeiten. Ihr Scanner ist aber kein Telecine und überspielt Film nicht auf Video. Der Cintel Scanner digitalisiert Film und sendet die Daten direkt an DaVinci Resolve. Dort können Sie die Scan-Daten mehrerer Filmrollen zusammenschneiden und Scans farbkorrigieren oder neu ausrichten. Man kann mit der Software auch Bildrauschen reduzieren und Audio extrahieren.

Der Betrieb des Scanners unter Einsatz von DaVinci Resolve bietet Ihnen erheblich mehr kreative Kontrolle als ein einfaches Telecine, weil die DaVinci Resolve Software viel mehr Features hat als jede Hardware. Außerdem nutzt der Cintel die Leistung des DaVinci Resolve Systems sowie die GPU oder eGPU des Hostrechners. Deshalb musste der Scanner selbst nicht mit zusätzlichen sperrigen und kostspieligen Elektronikbaugruppen beschwert werden.

Der Scan-Workflow gleicht einem Kinderspiel: Film als RAW-Zwischendateien mit Standard oder High Dynamic Range (HDR) scannen, die einzelnen Filmrollen in der Timeline wieder zusammenschneiden, Rauschreduzierung, Farbkorrektur und Kadrierung anwenden und das fertige Material über den DaVinci Resolve Deliver-Arbeitsraum in ein beliebiges Dateiformat rendern.

Des Weiteren haben wir Anbauteile konzipiert, die Ihren Workflow vereinfachen sollen. Der optionale Audio and KeyCode Reader scannt optische und magnetische Audiosignale schneller als in Echtzeit und importiert KeyCode-Informationen direkt in Ihre DaVinci Resolve Clips. Alternativ kann der Scanner Material für Audio-Endgeräte synchronisieren.

Wozu Ihr Scanner in Zusammenhang mit DaVinci Resolve fähig ist, erfahren Sie im englischsprachigen DaVinci Resolve Handbuch und in entsprechenden Tutorials. Es gibt einige tolle Tutorials zum Thema DaVinci Resolve von unseren Kunden sowie hochwertige Trainingsangebote von Drittanbietern, die Ihnen zeigen, wie Sie das Beste aus DaVinci Resolve herausholen.

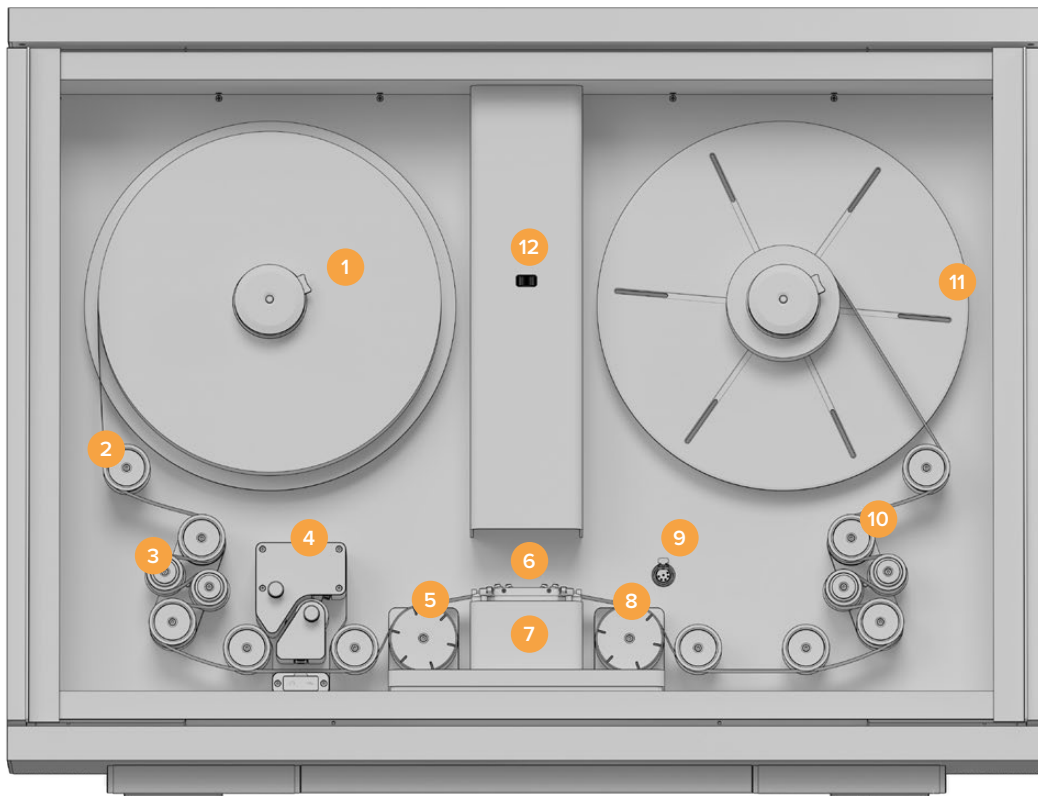
Sehen Sie auf der Support-Seite unter www.blackmagicdesign.com/de nach der aktuellsten Ausgabe der Bedienungsanleitung und nach Updates für die Produktsoftware Ihres Cintel Scanners.

Grant Petty CEO,
Blackmagic Design

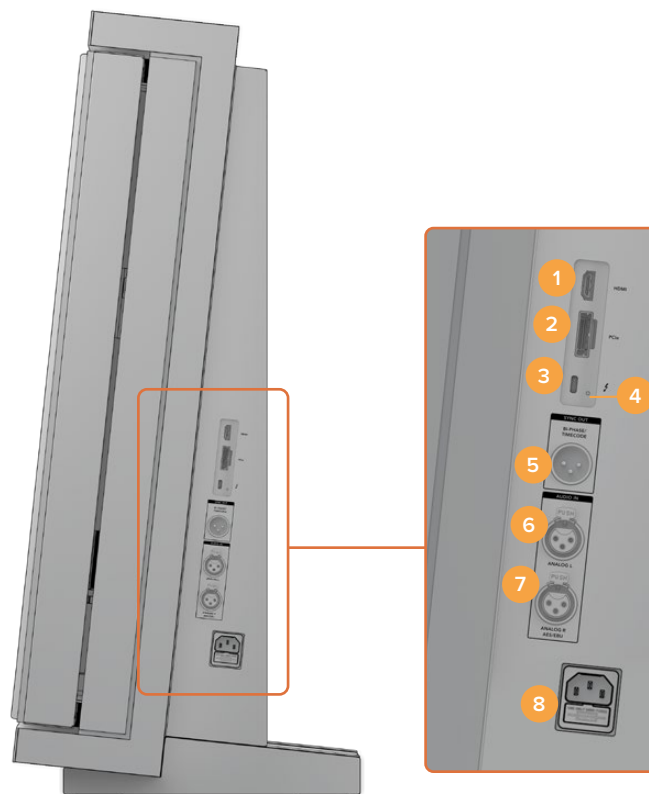
Inhalt

Auspacken und Montage	403	Einen oder mehrere	
Tischbefestigung	403	Filmabschnitte abtasten	437
Wandbefestigung	404	Extrahieren von Audio	438
Warnhinweis zur sicheren		Einstellungen zum Extrahieren	
Installation Ihres Scanners	405	von Audio	439
Erste Schritte	406	Farbraum und Skalierung	441
Installieren der Software	406	Optionaler Audio and KeyKode Reader	443
Anschließen an das Stromnetz	406	Anbringen des Audio and	
Anschließen an einen Computer	406	KeyKode Readers	444
DaVinci Resolve starten	407	Abtasten von Audio	446
Firmware-Updates	408	Einstellen des Readers	
Software-Developer-Kit	409	zum Audioabtasten	447
Was ist HDR?	409	Auslesen von KeyKode	453
Transportwellenarten	410	Einstellen des Readers zum	
Film einfädeln	410	Abtasten von KeyKode	453
Ihr Scanner im Einsatz	414	Transkodierung zu DPX	
Laufrichtungen	414	inklusive KeyKode-Metadaten	454
Einstellungen für 16mm-Film	415	Wartung	456
Umrüsten auf 8mm-Film	417	Säubern der Reinigungswalzen	456
Wechseln zwischen 8mm-		Säubern der Capstanwellen	456
Filmstreifenformaten	418	Entfernen von Staub	457
Filmpfad-Spannschrauben	420	Säubern der Audio and	
Transporttasten	421	KeyKode Reader Rollen	457
Standby-Modus	422	Säubern des magnetischen	
Film mit DaVinci Resolve digitalisieren	422	Tonkopfs des Audio	
Die Bedienoberfläche für		and KeyKode Readers	458
Cintel Scanner	423	Ersetzen des Magnetkopfs	459
Filmsteuerelemente	423	Ersetzen der Magnetkopfplatine	461
Anpassen der Lichtquelle	426	Zurücksetzen der Magnetkopf-Laufzeit	465
Image Stabilization	427	Überprüfen der Kopfausrichtung	465
Film Protection	430	In DaVinci Resolve mit Clips arbeiten	470
Bearbeiten der Metadaten		Project Manager	470
unter „Capture Info“	430	Schneiden im Cut-Arbeitsraum	471
Workflows für die		Einfügen von Clips in die Timeline	474
Digitalisierung von Film	432	Trimmen von Clips in der Timeline	475
Anpassen der Farbe Ihres Scanners	436	Audio-Trim-Ansicht	476
		Hinzufügen von Titeln	476
		Arbeiten mit Blackmagic-RAW-Dateien	477

Farbkorrektur von Clips im Color-Arbeitsraum	481	Output	509
Hinzufügen eines Power Windows	484	Dust Buster	509
Arbeiten mit Plug-ins	486	Allgemein	510
Tonmischen im Edit-Arbeitsraum	487	Patch Type	511
Der Fairlight-Arbeitsraum	487	Patch-Optionen	512
Hinzufügen von VFX und Compositing im Fusion-Arbeitsraum	492	Advanced Controls	512
Erste Schritte mit Fusion	494	Noise Reduction (Rauschreduzierung)	513
Mastern Ihres Schnitts	500	Steuerelemente für die temporale Rauschreduzierung	513
Quick Export	500	Steuerelemente für Temporal Threshold	514
Der Deliver-Arbeitsraum	501	Steuerelemente für die räumliche Rauschreduzierung	514
Automatische Schmutzentfernung	502	Steuerelemente für Spatial Threshold	515
Die wichtigsten Steuerelemente	502	Global Blend	516
Steuerelemente für die Feinjustage	503	Anwenden von Rauschreduzierung	516
Reparieren von Hotpixeln	503	Entfernen von Objekten	518
Allgemein	504	Spezifikationen	520
Patch Type	505	Gesetzliche Vorschriften	523
Patch-Optionen	506	Sicherheitshinweise	524
Advanced Controls	506	Hilfe	526
Deflicker	507	So erhalten Sie die aktuellsten Updates	526
Die wichtigsten Parameter	507	Erstellen eines Statusberichts	526
Temporal NR	507	USB-Wiederherstellung	527
Speed Optimization Options	508	Garantie	529
Restore Original Detail After Deflicker	509		



1. Spulenkammer 2. Umlenkrolle 3. Reinigungswalze 4. Optionaler Audio and KeyCode Reader über die linke Schnittstellenoption 5. Spannrolle 6. Führungsplatte 7. Lichtquelle 8. Transportwelle 9. Expansionsport für Pinregistrierung 10. Spannarm 11. Filmteller 12. Fokusrad



1. HDMI 2. PCIe 3. Thunderbolt 3 4. Stromstatus 5. Bi-Phase-Sync-/Timecode-Ausgang 6. XLR3-Audioeingang 1 7. XLR3-Audioeingang 2 8. Stromversorgung

Auspacken und Montage

Glückwunsch zu Ihrem neuen Cintel Scanner!

Bevor Sie loslegen können, müssen Sie den Scanner zunächst aus der Verpackung nehmen und auf eine stabile Unterlage stellen bzw. an der Wand montieren. Die Standfüße an der Unterseite Ihres Scanners sind mit Montagebohrungen versehen. Sie gestatten eine stabilere Installation Ihres Scanners auf einem Tisch. Weitere Montagebohrungen an der Rückseite ermöglichen die sichere Wandbefestigung des Cintel mithilfe einer Wandhalterung.

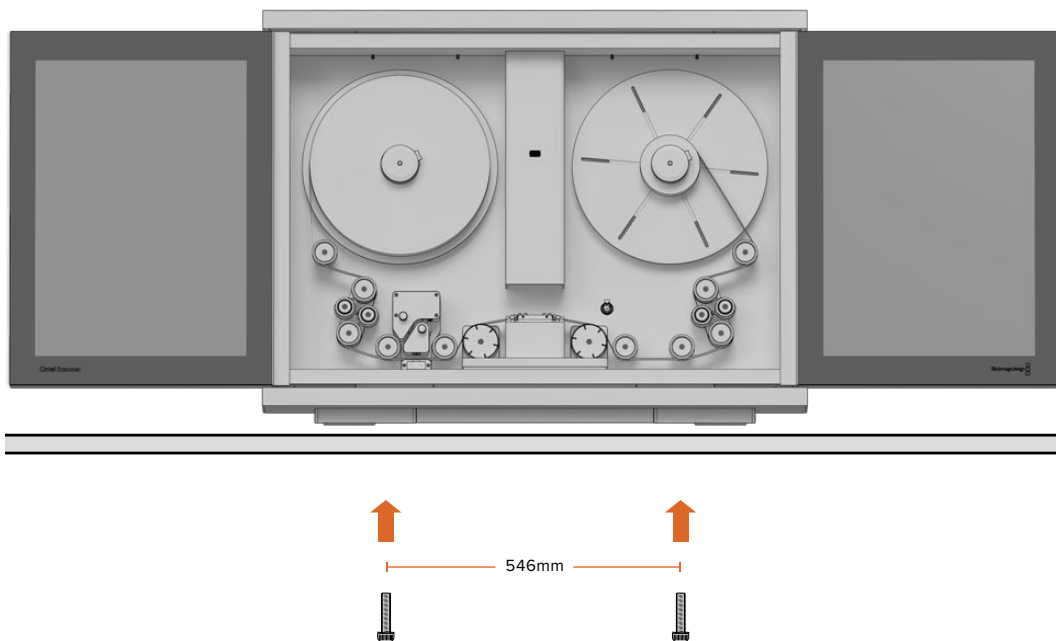
Sie werden nach Öffnen des Roadcase Ihres Scanners sehen, dass die Schaumpolsterung Aussparungen aufweist, damit Sie das Gerät mit festem Griff fassen können.

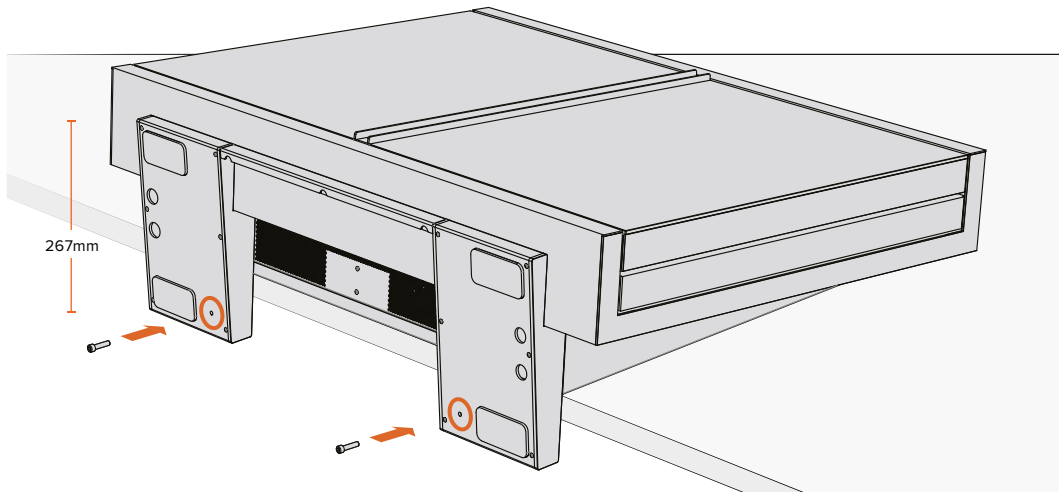
Bitte bedenken Sie, dass der Cintel mehr als 60 kg wiegt. Er ist zu schwer, um von einer einzelnen Person ausgepackt zu werden. Heben Sie ihn daher ausschließlich mit Unterstützung einer zweiten Person und anhand der korrekten Hebeteknik an. Gehen Sie in die Hocke, vergewissern Sie sich, dass Ihr Rücken gerade ist und führen Sie alle Bewegungen vorsichtig und kontrolliert aus.

Sobald Sie den Cintel aus seiner Verpackung herausgenommen haben, stellen Sie ihn aufrecht auf eine ebene, stabile Oberfläche, die das Gewicht des Cintel Scanners tragen kann.

Tischbefestigung

Für mehr Stabilität lässt sich der Cintel auf Ihrer Arbeitsfläche befestigen. Seine Füße sind mit Montagebohrungen versehen. Bohren Sie zwei Löcher für die beiden M6-Sicherungsbolzen in die Tischplatte und schrauben Sie die Füße Ihres Cintel Scanners mit den Bolzen fest. Das verhindert, dass der Scanner verrutscht





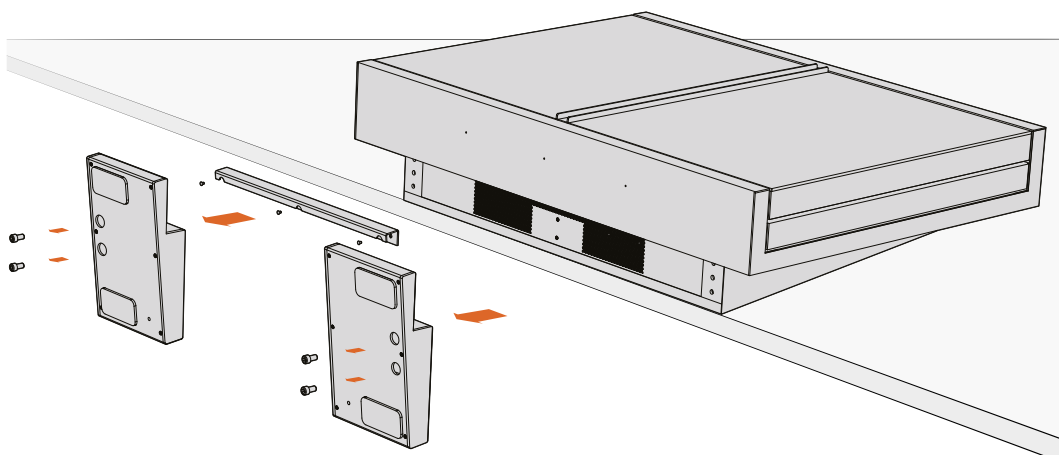
Bei Einsatz als Tischgerät lassen sich die Füße des Scanners mithilfe von M6-Sicherungsbolzen sicher mit Ihrer Arbeitsfläche verschrauben

HINWEIS Ihre Sicherheit liegt uns am Herzen. Lesen Sie darum unbedingt die Warnhinweise auf der folgenden Seite, bevor Sie Ihren Cintel Scanner montieren.

Wandbefestigung

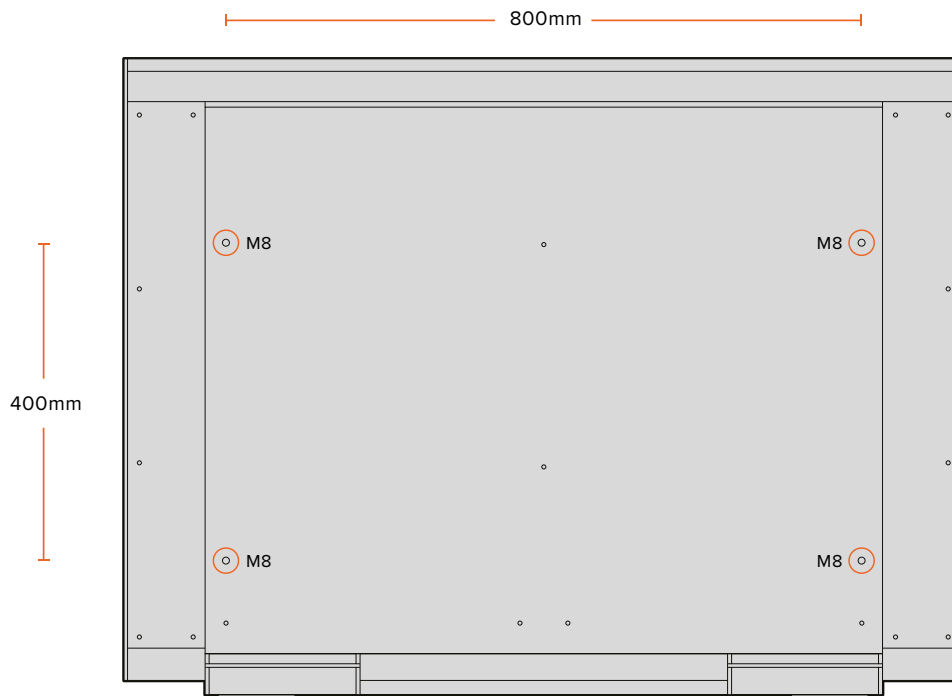
Dank seines eleganten Designs und des flachen Profils ist der Cintel ideal für die Wandbefestigung. Entfernen Sie hierfür zunächst die Füße und die Stützstrebe von Ihrem Scanner.

- 1 Legen Sie Ihren Cintel mit der Vorderseite nach oben gerichtet auf eine solide, stabile Oberfläche, die sein Gewicht tragen kann.
- 2 Lösen Sie mithilfe eines 6mm-Inbusschlüssels die beiden M8-Schrauben von den Füßen und nehmen Sie diese vorsichtig ab.
- 3 Entfernen Sie dann die Strebe zwischen den Füßen mit einem Kreuzschlitzschraubendreher. Bewahren Sie die Strebe zusammen mit den Füßen an einem sicheren Ort auf. So können Sie die Füße jederzeit wieder anbringen, sollten Sie Ihren Cintel an einem anderen Ort aufbauen wollen.



Bei Anbringen des Scanners an eine Wand können seine für den Tischeinsatz vorgesehenen Füße und die Stützstrebe entfernt werden

Unten sehen Sie, wo sich die Befestigungspunkte für die vier M8-Schrauben am Rücken Ihres Scanners befinden. Verwenden Sie ausschließlich M8-Schrauben zur Wandbefestigung des Scanners. Die M8-Schrauben sollten nicht länger als 25 mm sein.



Warnhinweis zur sicheren Installation Ihres Scanners

Mit eingelegtem Film kann ein Cintel Scanner bis zu 70 kg wiegen. Damit ist er sehr viel schwerer als ein Großbildfernseher. Sollten Sie sich unsicher sein, ob die bauliche Festigkeit einer Wand oder Arbeitsplatte für das Gewicht eines Cintel Scanners ausreicht, holen Sie unbedingt den Rat eines qualifizierten Ingenieurs ein, um den Montageort zu analysieren und Sicherheit zu gewährleisten. Eine nicht fachgemäße Installation kann dazu führen, dass der Scanner herunterfällt. Dies kann schwere Verletzungen oder den Tod zur Folge haben.

Vergewissern Sie sich vor der Installation des Scanners auf einem Tisch, dass die Arbeitsfläche eben und stabil ist. Das gilt besonders, wenn der Scanner auf dem Tisch steht und Sie von unten die Sicherungsbolzen festziehen. Installationshalterungen müssen robust genug sein, um das Gewicht des Scanners stützen zu können. Sollte Ihre Arbeitsfläche nicht für das Gewicht des Cintel Scanners ausgelegt sein oder mit der Zeit an Stabilität verlieren, könnte Ihr Abtaster herunterfallen und schwere Verletzungen verursachen.

Vergewissern Sie sich bei der Wandinstallation, dass der Wandabschnitt dauerhaft ausreichend tragfähig ist. Sollte die Stabilität im Laufe der Zeit nachlassen, könnte der Scanner herunterfallen und möglicherweise Personen zu Schaden kommen lassen. Installieren Sie ihn daher nicht an unzureichend belastbaren Orten. Installationshalterungen müssen robust genug sein, um das Gewicht des Scanners tragen zu können. Ist die Installationsfläche nicht stabil genug, könnte der Scanner herunterfallen und Personen zu Schaden kommen lassen.

Die Tisch- und Wandinstallation muss von mehr als einer Person durchgeführt werden. Versuchen Sie nicht, die Installation allein vorzunehmen.

Erste Schritte

Wenn Sie Ihren Cintel ausgepackt und aufgebaut haben, müssen Sie ihn lediglich an das Stromnetz anschließen, eine Thunderbolt-Verbindung zu Ihrem Computer herstellen, DaVinci Resolve starten und Ihren Film einfädeln. Um das abgetastete Material sofort auf einem externen Monitor zu sichten, legen Sie Ihren Film ein, spannen ihn manuell und sichten die Ausgabe auf einem HDMI-Bildschirm. Mehr hierzu erfahren Sie in den Abschnitten „Film einfädeln“ und „Transporttasten“ in diesem Handbuch.

Installieren der Software

Den Capture-Befehl für die Aufzeichnung mit Ihrem Scanner finden Sie im DaVinci Resolve Fenster „Film Scanner“. Laden und installieren Sie daher zunächst DaVinci Resolve, um Ihren Scan zu erfassen. Der im Lieferumfang Ihres Scanners enthaltene Dongle erlaubt Ihnen Zugriff auf die Vollversion von DaVinci Resolve.

Laden Sie sich die aktuellste Version der Cintel Scanner Software im Blackmagic Design Support Center unter www.blackmagicdesign.com/de/support herunter.

Ist der Download abgeschlossen, entpacken Sie die Datei und führen Sie einen Doppelklick darauf aus. Diese Aktion öffnet einen Setup-Ordner. Starten Sie nun lediglich die Installationsdateien in diesem Setup-Ordner und folgen Sie den Aufforderungen zur Softwareinstallation auf Ihrem Bildschirm.

Alternativ haben Sie die Möglichkeit, sich mit dem Cintel Scanner SDK Ihre eigene Softwarelösung zur Steuerung des Cintel Scanners zusammenzustellen und ihn in Ihren Workflow zu integrieren. Weitere Informationen finden Sie im Abschnitt „Software Development Kit“.

Anschließen an das Stromnetz

Da nun alle benötigten Programme auf Ihrem Computer installiert sind, schließen Sie den Cintel ans Stromnetz an.

Stecken Sie hierfür ein standardisiertes IEC-Kable in die AC-Buchse rechts unten an der Rückseite des Scanners. Wird Ihr Cintel mit Strom versorgt, leuchtet die Strom-LED grün.

Anschließen an einen Computer

Ihr Cintel Scanner lässt sich auf zweierlei Weise mit einem Host-Computer verbinden. Für Windows- und Mac-Computer können Sie den Thunderbolt-3-Anschluss verwenden. Alternativ dient bei Einsatz des PCIe Cable Kits von Blackmagic Design der externe PCIe-Port für Windows- und Linux-Computer. Sie können den Scanner zum Fokussieren oder für Vorschauzwecke auch über HDMI an einen externen Monitor anschließen. Jetzt ist Ihr Scanner bereit, um einen Film einzulegen. Die Thunderbolt-3-, PCIe- und HDMI-Ports befinden sich an der unteren rechten Seite Ihres Scanners.

DaVinci Resolve starten

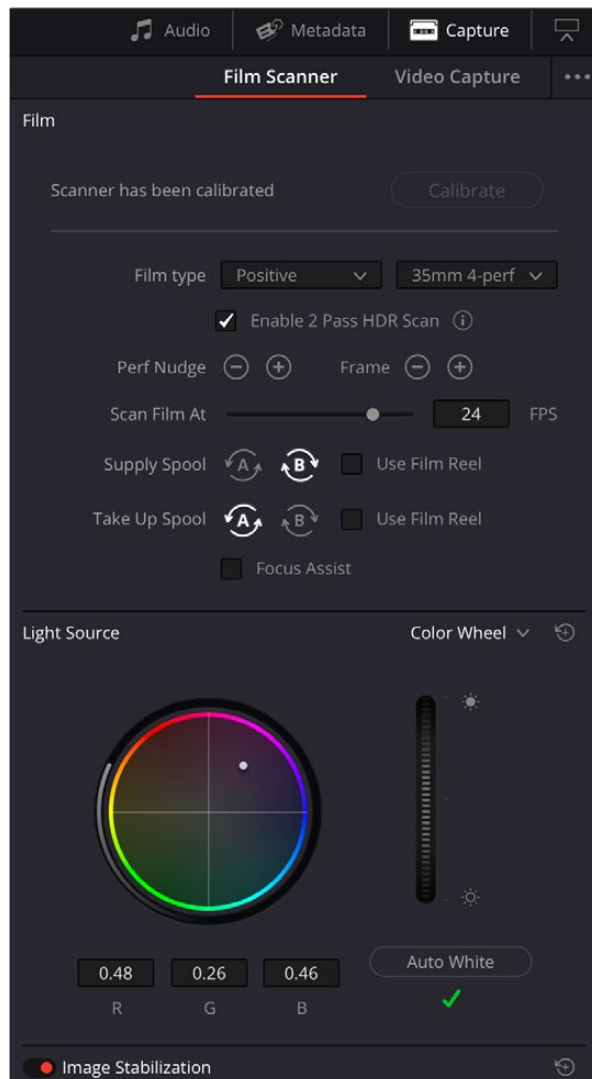
Starten Sie DaVinci Resolve und gehen Sie in den Arbeitsraum „Media“. Öffnen Sie das „Film Scanner“-Fenster in DaVinci Resolve durch Klicken auf den „Capture“-Button oben rechts auf dem Bildschirm. Klicken Sie anschließend auf „Film Scanner“.

Der Cintel zeichnet eine große Menge an Bilddaten auf. Legen Sie daher einen Ordner fest, in dem DaVinci Resolve die aufgezeichneten Dateien speichern soll.

Das geht wie folgt:

- 1 Starten Sie DaVinci Resolve.
- 2 Klicken Sie in der DaVinci Resolve Menüleiste auf „Preferences“ (Einstellungen).
- 3 Klicken Sie auf das „+“-Icon unter dem Tab „Media Storage“ (Medienspeicher). Wählen Sie ein Laufwerk oder einen Ordnerpfad aus.
- 4 Klicken Sie auf „Save“ (Speichern) und starten Sie DaVinci Resolve erneut.

Detaillierte Informationen zu allen Steuermöglichkeiten im DaVinci Resolve „Film Scanner“-Bereich finden Sie in diesem Handbuch im Abschnitt „Film mit DaVinci Resolve digitalisieren“.



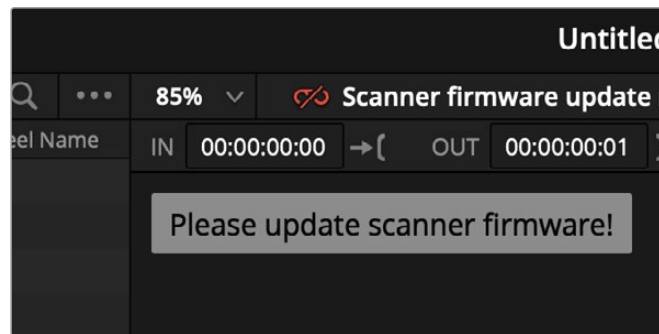
Über das DaVinci Resolve Fenster „Film Scanner“ werden alle Aufnahmeeinstellungen gesteuert

Firmware-Updates

Die interne Firmware des Cintel Scanners und des Audio and KeyKode Readers müssen nach Installation der Cintel Scanner Software auf Ihrem Computer ggf. aktualisiert werden.

Cintel Scanner

Sobald Sie die Cintel Scanner Software auf Ihrem Computer installiert und den Cintel Scanner angeschlossen haben, bekommen Sie eine Meldung, ob ein Firmware-Update für Ihren Scanner zur Verfügung steht.



DaVinci Resolve meldet, wenn der Cintel Scanner gesperrt ist

Audio and KeyKode Reader

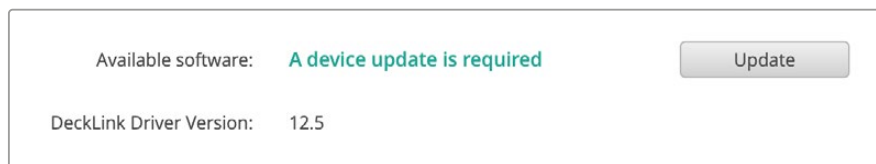
Sollte der KeyKode Reader ein Firmware-Update benötigen, wird er gesperrt. In DaVinci Resolve erscheint eine Meldung, die Sie zur Aktualisierung der Reader-Firmware auffordert, ähnlich wie zu den auf dem obigen Bild angezeigten Firmware-Updates.

Aktualisieren der Firmware

Firmware-Updates für Ihren Cintel Scanner und Audio and KeyKode Reader werden über das Cintel Setup Dienstprogramm geladen.

So aktualisieren Sie die Firmware Ihres Cintel Scanners oder Audio and KeyKode Readers:

- 1 Schließen Sie den Cintel Scanner ans Stromnetz sowie per Thunderbolt-3- oder PCIe-Port an Ihren Computer an.
- 2 Sollten Sie den Audio and KeyKode Reader aktualisieren müssen, verbinden Sie ihn per USB-C-Kabel mit Ihrem Computer.
- 3 Starten Sie das Cintel Setup Dienstprogramm und wählen Sie entweder den Scanner oder den KeyKode Reader aus.
- 4 Klicken Sie auf den „Settings“-Button und gehen Sie zum „Setup“-Tab. Wenn ein Update verfügbar ist, klicken Sie auf den „Update“-Button.



Auf dem „Setup“-Tab sehen Sie, ob eine neue Firmware-Version für den Cintel Scanner oder den Cintel Audio and KeyKode Reader verfügbar ist

Die Firmware ist nun auf dem neuesten Stand, sodass Sie von den neuesten Einstellungen, Features und Kompatibilitäten profitieren.

Software-Developer-Kit

Blackmagic Design stellt Ihnen kostenlos ein Software-Development-Kit für Ihren Scanner zur Verfügung. Das SDK ist plattformübergreifend und bringt Ihre Software unter Mac, Windows und Linux zum Laufen. Das SDK liefert Beispielanwendungen, mit denen Sie Ihren Scanner wie mit DaVinci Resolve, aber über eine Kommandozeile steuern können.

Unter Einsatz des Cintel Scanner SDKs können Sie Software entwickeln, die Ihren Scanner steuert, Einstellungen ändert, Scans einleitet und Clips verarbeitet. DaVinci Resolve Studio erhalten Sie zusammen mit Ihrem Scanner. Mit dem SDK können Sie Software entwickeln und Ihren Scanner über Computer betreiben, die den für DaVinci Resolve empfohlenen Spezifikationen ggf. nicht entsprechen. Näheres erfahren Sie auf der Entwickler-Seite unter www.blackmagicdesign.com/de/developer.

Was ist HDR?

High Dynamic Range, oder HDR, ist eine Methode, mit der mehrere unterschiedlich belichtete Bilder kombiniert werden, um daraus ein Bild mit einem insgesamt erweiterten Kontrastumfang zu erstellen und sein Rauschverhalten zu verbessern. Der Scanner führt die HDR-Digitalisierung in einem Prozess mit zwei Passes aus. Der erste Pass ist ein Scanvorgang bei normaler Belichtung. Der zweite Pass erfolgt bei wesentlich stärkerer Belichtung. Er soll in Schatten von Prints und in Highlights von Negativen mehr Zeichnung bringen. Normal und stark belichtete Bilder vereint ergeben Bilder mit einer höheren Bittiefe.



Das linke Bild zeigt einen Pass mit normaler, das rechte Bild einen Pass mit hoher Lichtstärke

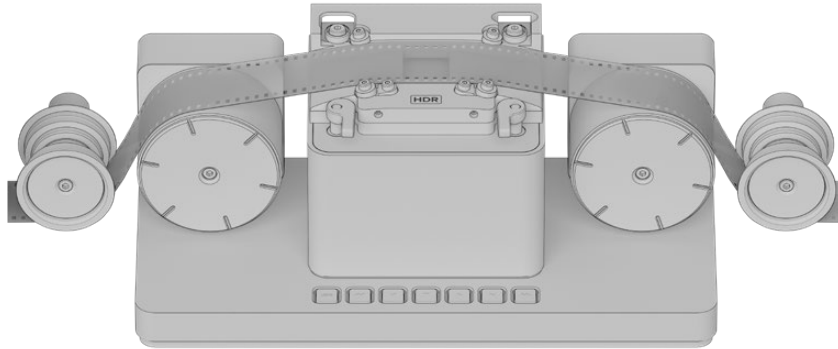


Die Abbildungen stellen Scans desselben Einzelbilds mit identischem Zoom dar und verdeutlichen den Unterschied zwischen einem HDR-Scan (links) und einem regulären Scan (rechts). Der HDR-Scan zeigt weniger Bildrauschen, präzisere Farben und eine bessere Zeichnung in den Schatten und Lichtern

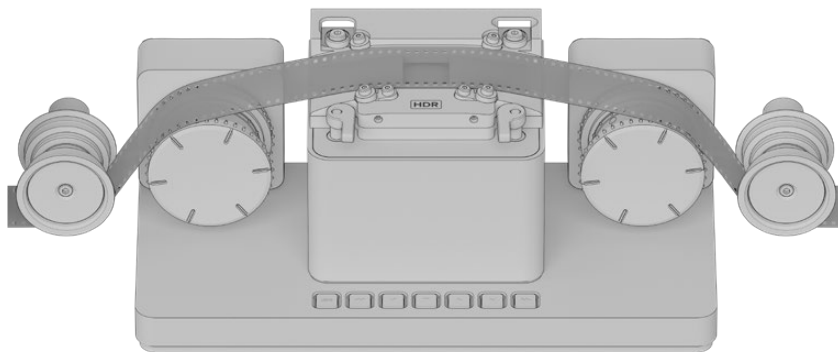
Der ursprüngliche Scan und der hochbelichtete Scan werden durch hochpräzise HDR-Bildfenster und den Bildstabilisierer mit Subpixel-Genauigkeit ausgerichtet. Hierbei wird ein hochwertiger Größenveränderungsfilter („Resize“) eingesetzt, der einen von Ausrichtungsartefakten freien HDR-Clip generiert.

Transportwellenarten

Je nach Scannermodell wird der Cintel Scanner entweder mit Capstanwellen oder Zahnwellen ausgeliefert. Beide Transportwellenarten dienen dazu, Film über das Bildfenster vor und zurück zu bewegen und akkurat auf den darunterliegenden Bildsensor auszurichten. Die Transportwellen sind ein wichtiger Bestandteil des Scanners und können nicht durch andersartige Transportwellen ausgetauscht werden.



Capstanwellen greifen das Filmmaterial mit leichter Friktion und eignen sich damit besonders für brüchiges Filmmaterial oder beschädigte Perforationen



Zahnwellen hingegen haben kleine Zähne, die in die Perforationen des Films greifen und ihn transportieren. So besteht kein direkter Kontakt zwischen dem Bildbereich des Films und der Welle

Die Antriebstransportwelle zieht den Film, während die zweite Transportwelle der Spannung dient, um zu gewährleisten, dass der Film reibungslos über die Führungsplatte bewegt wird. Dank der symmetrischen Anordnung der Transportwellen am Cintel Scanner, kann Film sowohl rückwärts als auch vorwärts vorsichtig und präzise sowie mit einer großen Auswahl an Geschwindigkeiten transportiert werden.

Film einfädeln

Da Ihr Cintel Scanner und DaVinci Resolve nun miteinander kommunizieren, können Sie Film einfädeln.

Zugriff auf den Scanner

Öffnen Sie die Schiebetüren Ihres Scanners.

An der internen Gerätefront befindet sich links die Abwickelspule und rechts die Aufwickelspule. Die Abwickelspule wickelt den zu scannenden Film ab, während die Aufwickelspule den bereits gescannten Filmabschnitt wieder aufwickelt.

Einstellen der Laufrichtung

Stellen Sie die Laufrichtung ein, damit sich die Spulen in die richtige Richtung drehen. Stellen Sie im „Film Scanner“-Fenster in DaVinci Resolve die Laufrichtung „Wind Type“ auf B/A ein, indem Sie für die Buttons „Supply Spool“ (Abwickeln) und „Take Up Spool“ (Aufwickeln) „B“ bzw. „A“ anklicken.

B/A ist die Standardlaufrichtung Ihres Scanners. Hierbei dreht sich die Abwickelspule im Uhrzeigersinn, während sich die Aufwickelspule gegen den Uhrzeigersinn dreht. Weitere Informationen finden Sie im Abschnitt „Laufrichtungen“ in diesem Handbuch.

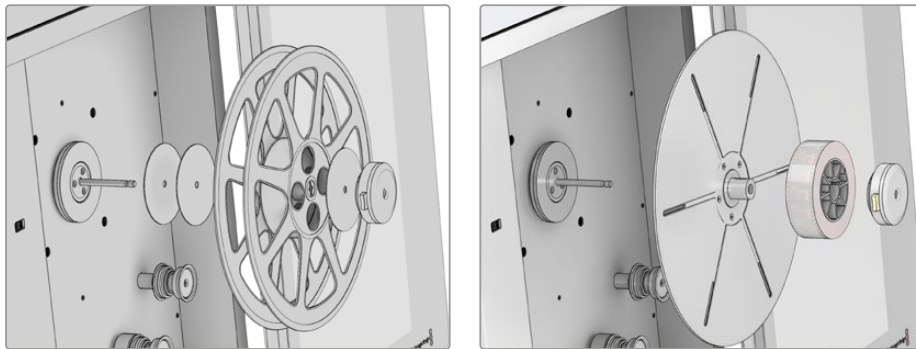
Vergewissern Sie sich jetzt, dass Sie für Filmtyp und -größe die angemessenen Einstellungen gewählt haben. Den passenden Filmtyp und die Filmbreite geben Sie im „Film Scanner“-Fenster in DaVinci Resolve vor. Dort können Sie auch 8mm, 16mm und 35mm sowie verschiedene Perforationen wählen.

Vorbereiten der Aufwickelspule

Schieben Sie den mitgelieferten 75mm-Spulenkern und die Spulenklammer auf die Spindel der Aufwickelspule des Scanners. Halten Sie den Knopf an der Spulenklammer gedrückt und schieben Sie sie auf die Spindel, bis Sie einen Widerstand spüren. Lassen Sie den Knopf daraufhin los und schieben Sie die Klammer weiter auf die Spindel, bis Sie ein Klickgeräusch hören.

Film aufstecken

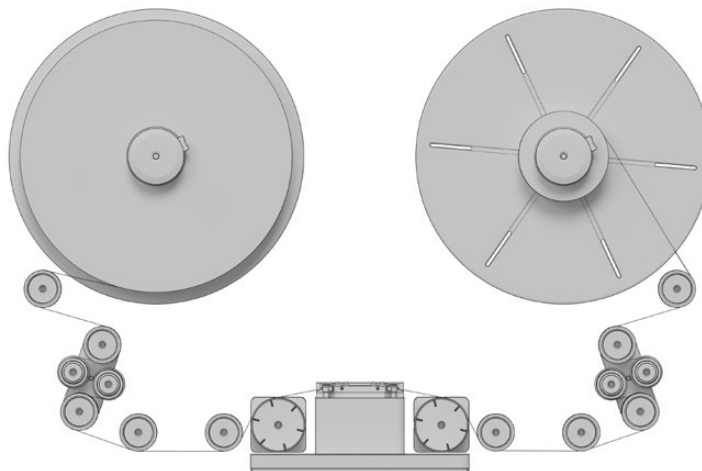
Schieben Sie Ihre Filmrolle oder den Filmkern auf die Spindel der Abwickelspule und folgen Sie den Anweisungen in Schritt 3. Beachten Sie, dass der genaue Vorgang davon abhängt, ob Sie Film auf einer Spule oder auf einem Filmkern verwenden und ob es sich um 35mm-, 16mm- oder 8mm-Film handelt. Wenn Sie bspw. einen Filmkern aufstecken, müssen Sie vorher den mitgelieferten Filmteller aufstecken. Bei einer Filmrolle benötigen Sie lediglich die Abstandhalter.



Die obige Abbildung zeigt, wie man eine 35mm-Filmrolle und einen Filmkern aufsteckt. Für Filme auf Filmrollen wird der Filmteller nicht gebraucht. Verwenden Sie hierfür lediglich die mitgelieferten Abstandhalter. Für Filme auf Filmkernen hingegen wird der mitgelieferte Filmteller benötigt

Film einfädeln

Führen Sie einen entsprechend langen Abschnitt des Startbands um die Wellen des Scanners. Folgen Sie dabei der folgenden Illustration.



Bei der Standardlaufrichtung B/A wird der Film vom unteren Teil der Abwickelspule eingezogen und von oben auf die Aufwickelspule gerollt

Film spannen

Damit der Film beim Aufrollen an der Aufwickelspule fixiert bleibt, schieben Sie das Ende des Bands in den kleinen Schlitz an der Spule. Drehen Sie die Spule dann mit der Hand einige Male herum, bis der Film an seinem Platz bleibt.

Wenn Sie nicht möchten, dass das Bandende im Schlitz geknickt wird, können Sie sich auch die Reibung des Films zunutze machen und so lange weiter drehen, bis das Ende vom aufgewickelten Band selbst festgehalten wird. Oder verwenden Sie Klebefilm mit geringer Klebkraft.

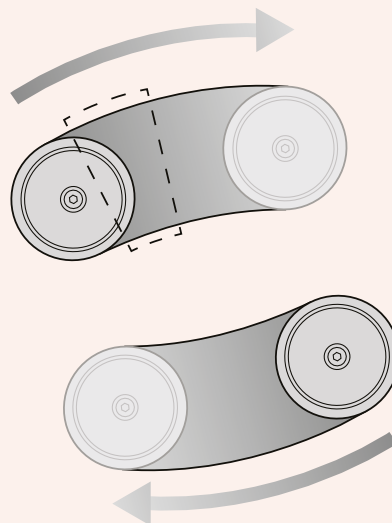
Starten Sie den Spannvorgang, indem Sie die „Load“-Taste drücken. Oder drehen Sie die Ab- und Aufwickelspule gleichzeitig von Hand.

Manuelle Spannung

Sie werden merken, dass sich die Spannarme unter beiden Spulen wie in der Abbildung unten bewegen, sobald Sie Spannung erzeugen. Heben sich die Spannarme zu ungefähr einem Drittel ihres Bewegungsradius an, halten Sie die Spulen für ein bis zwei Sekunden in Position. Ihr Scanner erkennt daraufhin den gesicherten Film auf der Aufwickelspule. Von diesem Moment an übernimmt die automatische Spannfunktion bis der verbleibende Durchhang des Films nachgespannt ist.

Sollte es während des manuellen oder automatischen Spannungsvorgangs zu einem Problem kommen, können Sie ihn durch erneutes Drücken der „Load“-Taste abbrechen. Alternativ können Sie die Auf- oder Abwickelspule festhalten.

Ihr Scanner erkennt beide Handlungen und bricht den Vorgang ab.



Bei manueller Spannung müssen Sie lediglich genug Spannung erzeugen, um die Spannarme in ihre optimale Position knapp unterhalb der Hälfte ihres Bewegungsradius zu bringen. Der Cintel spannt den Rest dann automatisch.

Film prüfen

Vergewissern Sie sich, dass der Film ordnungsgemäß eingelegt ist. Drücken Sie dazu auf die Wiedergabetaste an Ihrem Scanner oder klicken Sie in DaVinci Resolve im „Film Scanner“-Fenster auf den Wiedergabe-Button. Wenn Sie den Film nun im Viewer oder auf einem angeschlossenen HDMI-Monitor sehen können, wissen Sie, dass Ihr Scanner funktioniert.

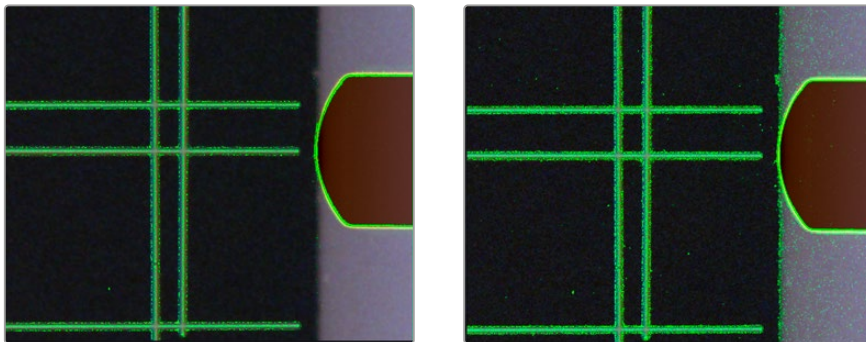
Je nach der von Ihnen verwendeten Laufrichtung kann es sein, dass das Bild horizontal oder vertikal gespiegelt erscheint. Dies können Sie beheben, indem Sie den richtigen Filmtyp einstellen. Bspw. erscheint Negativfilm vertikal gespiegelt, bis die Einstellung „Negative“ aktiviert wird. Lässt sich dieses Problem nicht anhand der Einstellungen beheben, müssen Sie den Film ggf. neu einlegen und von einer anderen Laufrichtung Gebrauch machen.

Halten Sie zur Prüfung der Beschaffenheit von auf dem Cintel Scanner G3 HDR+ gescanntem Filmmaterial die Stopp- oder Wiedergabetaste zwei Sekunden lang gedrückt. Dies aktiviert den Filmüberprüfungsmodus, der die Intensität der den Film beleuchtenden Lichtquelle verringert, um eventuelle Defekte, Schmutz oder Kratzer sichtbar zu machen. So können Sie den Film genau untersuchen und bestimmen, ob die Filmrolle gereinigt oder repariert werden muss.

Fokussieren

Genau wie bei einem Kameraobjektiv müssen Sie den projizierten Film auf dem Scanner-Sensor scharf stellen. Das Fokusrad befindet sich mittig zwischen der Ab- und Aufwickelspule. Für den akkuratesten Fokus sorgt die Funktion „Focus Assist“ im „Film Scanner“-Fenster in DaVinci Resolve. Ähnlich wie die Focus-Peaking-Funktion von Blackmagic Kameras blendet Focus Assist eine grüne Markierung um die schärfsten Bereiche Ihres Bilds herum ein. So können Sie weiter fokussieren, bis die grünen Markierungen am stärksten sind.

Aktivieren Sie Focus Assist, indem Sie in das Kontrollkästchen im „Film Scanner“-Fenster ein Häkchen setzen. Behalten Sie dann die HDMI-Ausgabe Ihres Cintel Scanners bzw. den Viewer im Auge, während Sie das Fokusrad betätigen. Filmkörnigkeit ist hierbei ein großartiger Indikator. Wenn die grünen Markierungen der Filmkörnigkeit am intensivsten sind, ist Ihr Bild perfekt fokussiert.



Filmkörnigkeit ist ein perfektes Indiz für die akkurate Scharfstellung mit Focus Assist. Im oben abgebildeten Beispiel ist das Bild links unscharf eingestellt, das Bild rechts hingegen scharf. Die Focus-Assist-Funktion hebt die Körnung hervor, die im Perforationsbereich am stärksten sichtbar ist.

Am besten funktioniert die Focus-Assist-Funktion bei Verwendung von Negativfilm, da Negative in der Regel schärfer sind und die meiste Körnung aufweisen.

Um die Focus-Assist-Funktion voll auszunutzen, aktivieren Sie für den Viewer die höchste Auflösung. Klicken Sie einfach auf die Optionseinstellungen oben rechts im Viewer und wählen Sie „Full Resolution Preview“ (Vorschau in Vollauflösung) aus dem Menü.

An dieser Stelle sollte erwähnt werden, dass die Vollauflösung aktiviert bleibt, bis Sie sie wieder deaktivieren. Diese Einstellung ist sehr GPU-intensiv und kann die Leistung des Viewers beeinträchtigen. Bspw. kann es zu Frameverzögerungen kommen. Daher ist es hilfreich, die Vollauflösung fürs Fokussieren zu aktivieren und sie dann für eine bessere Leistung wieder auszuschalten.

Schließen der Schiebetüren

Für einen qualitativ hochwertigen Abtastvorgang raten wir Ihnen, die Schiebetüren Ihres Scanners zu schließen. Die Türen ziehen sich automatisch vorsichtig zu, sobald sie beinahe geschlossen sind. Sie brauchen die Schiebetüren also lediglich aufeinander zu bewegen, bis der Federmechanismus aktiviert wird. Bei geschlossenen Türen gelangt kein Licht mehr von außen auf das Bildfenster.

Die hochwertige Lichtquelle Ihres Scanners eliminiert Lichtverschmutzung in allen Bereichen außer sehr hell beleuchteten Arbeitsumgebungen. Da die Filmoberfläche stark glänzt, kann Film ggf. Licht von der Zimmerdecke reflektieren, was zu Flecken im erfassten Bild führen kann. Dies können Sie verhindern, indem Sie die Türen des Scanners während des Abtastvorgangs geschlossen halten.

Nun, wo Sie Film eingelegt, gespannt, fokussiert und die Türen geschlossen haben, können Sie den Abtastvorgang starten!

Informationen zur Kalibrierung der Lichtquelle, Einstellung des Stabilisierers und zu den Einstellungen der „Capture“-Palette für die Erfassung von Bildern finden Sie im Abschnitt „Cintel“ im englischsprachigen DaVinci Resolve Handbuch. Im DaVinci Resolve Handbuch erfahren Sie außerdem weitere Details zur Synchronisierung von Lichtton sowie zur Verwaltung von erfassten Scan-Dateien.

Hinweise zur Instandhaltung und Wartung oder zu den technischen Daten Ihres Cintel Scanners finden Sie in den Kapiteln „Wartung“ und „Spezifikationen“ weiter hinten in diesem Handbuch.

Ihr Scanner im Einsatz

Dieser Abschnitt erklärt das Vorgehen zum Laden von 8mm- und 16mm-Film mit verschiedenen Laufrichtungen sowie die Installation und Justage der optionalen 8mm und 12mm Gate Kits. Überdies wird der Gebrauch der lokalen Transporttasten an Ihrem Cintel Scanner erläutert.

Laufrichtungen

Die Option „Wind Type“ bezieht sich auf die Ab- bzw. Aufwickelposition sowie die Laufrichtung der Ab- und Aufwickelspulen. Wie Sie dem nachstehenden Diagramm entnehmen können, steht „A“ für die Abwicklung gegen den Uhrzeigersinn. „B“ hingegen wickelt den Film im Uhrzeigersinn ab und wieder auf. Die Laufrichtungen beziehen sich sowohl auf die Ab- als auch auf die Aufwickelspule.

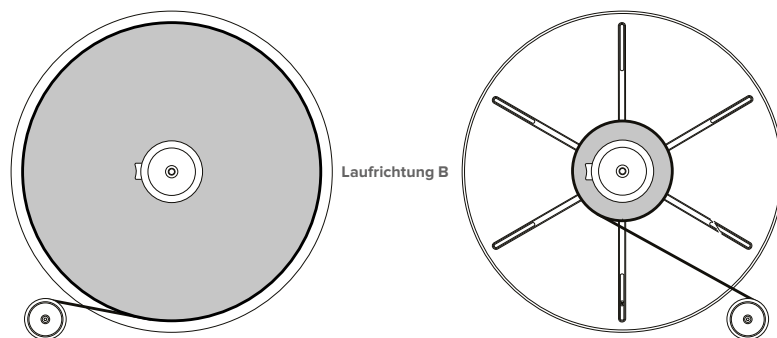
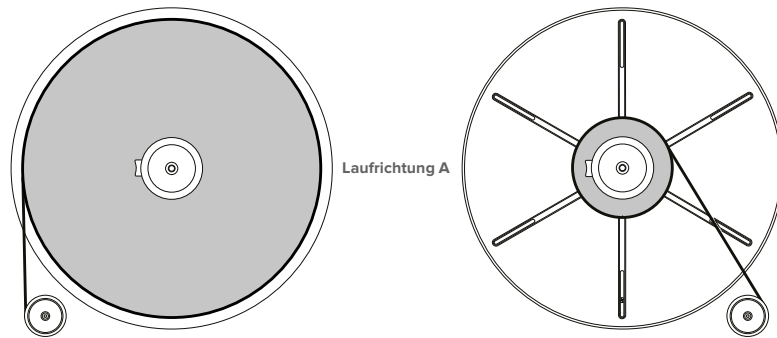
Die standardmäßige Laufrichtung Ihres Scanners ist B/A. Das bedeutet, dass sich die Abwickelspule von unten ab- und die Aufwickelspule von oben aufwickelt. Sollte Ihr Film auf andere Weise aufgewickelt worden sein, werden auch andere Kombinationen aus A und B unterstützt. Wählen Sie einfach die entsprechende Laufrichtung über das DaVinci Resolve „Film Scanner“-Fenster unter „Feed“ und „Take Up“.

Die Laufrichtung bestimmt, in welche Richtung sich die Spulen drehen, die Position der Audioinformationen und Perforation und ob sich der Film mit der beschichteten Seite nach oben oder unten gerichtet über die Führungsplatte bewegt. Demnach ist es wichtig, dass Sie die für Ihr Projekt passende Kombination auswählen.

Legen Sie die entsprechenden Laufrichtungen in den „Film Scanner“-Einstellungen in DaVinci Resolve fest.

Abwickelspule

Aufwickelspule



Laufrichtung A dreht sich gegen den Uhrzeigersinn, während sich Laufrichtung B im Uhrzeigersinn dreht

Einstellungen für 16mm-Film

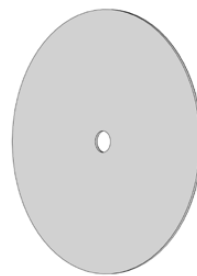
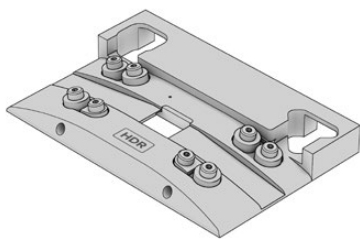
Das optionale, separat erhältliche Cintel Scanner 16 mm Gate Kit beinhaltet alle Teile, die Sie für die minimale Umrüstung Ihres Scanners brauchen.

16mm-Führungsplatte

Innerer 16mm- Abstandhalter

Äußerer Abstandhalter

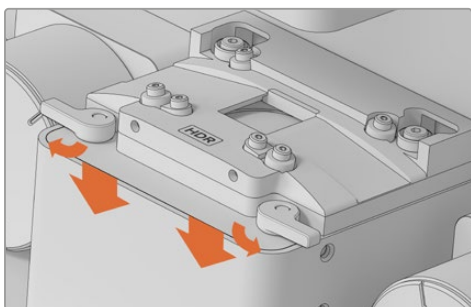
1mm- Abstandhalter



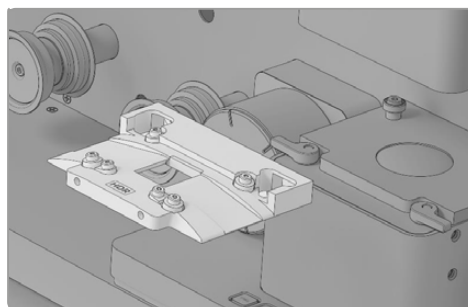
Das 16mm-Kit enthält eine 16mm-Führungsplatte, zwei 16mm-Abstandhalter, zwei äußere 16mm-Abstandhalter und vier 1mm-Abstandhalter

Austauschen der Führungsplatte

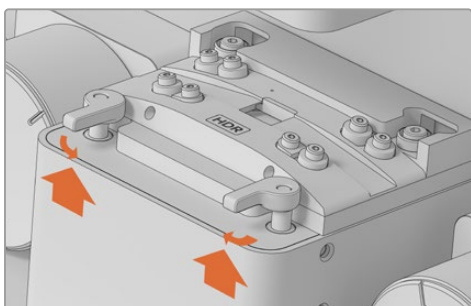
Tauschen Sie die 35mm-Führungsplatte gegen die 16mm-Führungsplatte aus, indem Sie die Spannhebel vorne an der 35mm-Führungsplatte nach unten drücken und diese dann nach außen drehen. Entfernen Sie nun die 35mm-Führungsplatte und ersetzen Sie sie durch die 16mm-Platte. Vergewissern Sie sich beim Anbringen der Führungsplatte, dass Sie die Spannhebel so weit wie möglich nach oben ziehen, bevor Sie sie nach innen drehen. Sonst sitzt die Platte ggf. nicht richtig.



Um die Führungsplatte zu entfernen, drücken Sie die Spannhebel nach unten und drehen Sie sie anschließend nach außen



Entfernen der 35mm-Führungsplatte vor Installation der 16mm-Führungsplatte



Um eine Führungsplatte zu fixieren, ziehen Sie die Spannhebel nach oben und drehen Sie sie nach innen

Aufstecken des inneren Abstandhalters für 16mm-Film

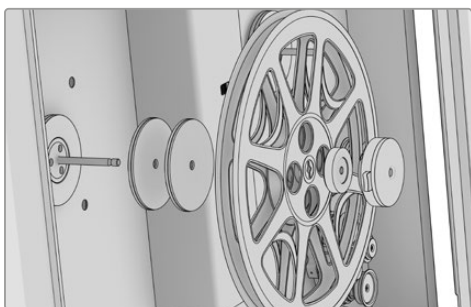
Stecken Sie den Abstandhalter aus Gummi auf die Spindeln der Ab- und Aufwickelpule. Die eingekerbte Seite des Abstandhalters muss dabei nach innen zeigen. Erst dann können Sie den Filmteller, Filmkern oder die Filmrolle einsetzen.

Optionale zusätzliche Abstandhalter

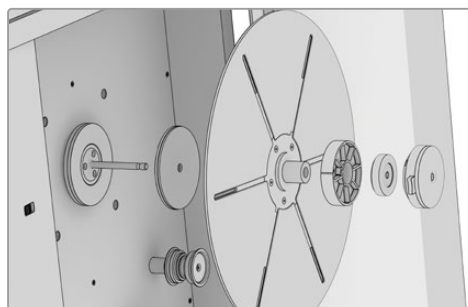
Zusätzliche 1mm-Abstandhalter aus Gummi sind im Cintel Scanner 16mm Gate Kit enthalten, sollten Sie eine Filmrolle aufstecken wollen. Verwenden Sie diese Abstandhalter, um den Film auf die Umlenkrollen Ihres Scanners auszurichten.

Film aufstecken

Nachdem Sie einen 16mm-Filmkern oder eine Filmrolle auf die Abwickelpule und den Filmteller sowie einen Filmkern auf die Aufwickelpule gesteckt haben, bringen Sie den äußeren Abstandhalter an, um die Spulen zu sichern. Dieser Abstandhalter ist an der Innenseite mit einer Kerbe und einem Gummiring versehen, die den Filmkern oder die Filmrolle in Position halten. Sobald alles an seinem Platz ist, können Sie die Spulen wie gewohnt sichern.



Vom Fuß der Spindel nach außen: zwei innere 16mm-Abstandhalter, 16mm-Filmrolle, äußerer Abstandhalter und Spulenklammer



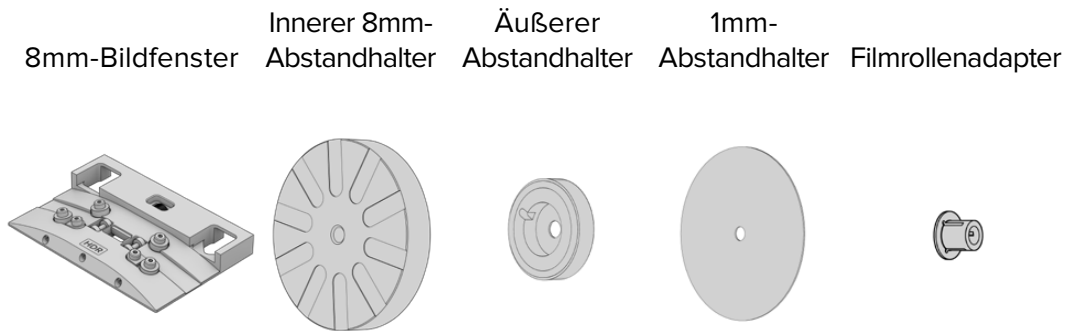
Vom Fuß der Spindel nach außen: innerer 16mm-Abstandhalter, Filmteller, 16mm-Filmkern, äußerer Abstandhalter und Spulenklammer

Film einfädeln

Fädeln Sie den Film so ein, wie Sie es bei 35mm-Film tun würden. Vergewissern Sie sich, dass der Film ordnungsgemäß durch die Transportwellen gefädelt wurde, bevor Sie auf LOAD drücken oder den Film manuell spannen, da der Film sonst beschädigt werden kann.

Umrüsten auf 8mm-Film

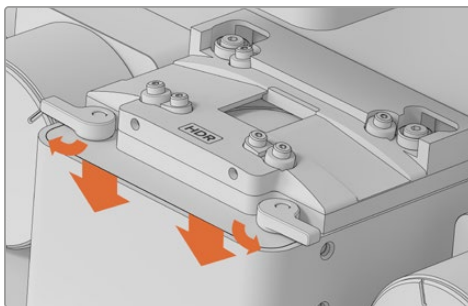
Das optionale, separat erhältliche Cintel Scanner 8mm Gate Kit beinhaltet alle nötigen Teile, die Sie für diese minimale Umrüstung Ihres Scanners brauchen.



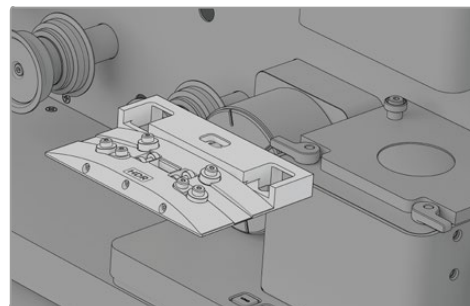
Inhalt des 8mm-Kits: 8mm-Bildfenster, zwei innere 8mm-Abstandhalter, zwei äußere Abstandhalter, vier 1mm-Abstandhalter und zwei 8mm-zu-Super-8mm-Filmrollenadapter

Austauschen der Führungsplatte durch ein 8mm-Bildfenster

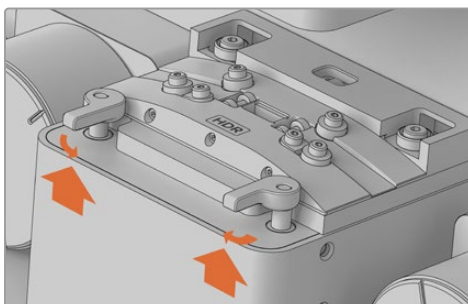
Tauschen Sie die Führungsplatte durch das 8mm-Bildfenster aus, indem Sie die Spannhebel vorne an der Platte erst nach unten drücken und dann nach außen drehen. Entfernen Sie die Platte jetzt und ersetzen Sie sie durch das 8mm-Bildfenster. Vergewissern Sie sich beim Anbringen des Bildfensters, dass Sie die Spannhebel so weit wie möglich nach oben ziehen, bevor Sie sie nach innen drehen. Sonst sitzt das Fenster ggf. nicht richtig.



Um die Führungsplatte zu entfernen, drücken Sie die Spannhebel nach unten und drehen Sie sie anschließend nach außen



Entfernen der 35mm-Führungsplatte vor Installation des 8mm-Bildfensters



Um die Führungsplatte zu sichern, ziehen Sie die Spannhebel nach oben und drehen Sie sie nach innen

Aufstecken des inneren Abstandhalters für 8mm-Film

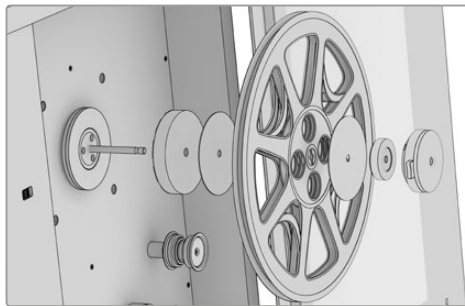
Stecken Sie den inneren 8mm-Abstandhalter aus Metall auf die Spindeln der Ab- und Aufwickelspulen. Die eingekerbte Seite des Abstandhalters aus Gummi muss dabei nach innen zeigen. Setzen Sie erst dann die Filmrolle auf.

Optionale zusätzliche Abstandhalter

Zum Aufstecken anderer Filmrollentypen enthält das 8mm Gate Kit zusätzliche 1mm-Abstandhalter aus Gummi. Verwenden Sie diese Abstandhalter nach Bedarf an einer beliebigen Seite der Rolle, um den Film auf die Umlenkrollen Ihres Scanners auszurichten.

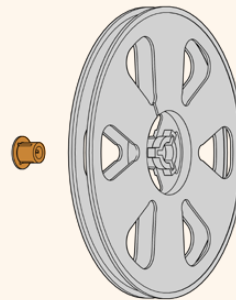
Film aufstecken

Nachdem Sie eine 8mm-Filmspule auf die Abwickelspule und eine leere Filmrolle auf die Aufwickelspule gesteckt haben, bringen Sie den äußeren Abstandhalter an, um die Spulen zu sichern. Sobald alles an seinem Platz ist, können Sie die Rollen wie gewohnt sichern.



Aufstecken der Rolle vom Fuß der Spindel nach außen: 8mm-Abstandhalter, 1mm-Abstandhalter, 8mm-Filmrolle, 1mm-Abstandhalter, äußerer Abstandhalter und Spulenklammer

TIPP Bevor Sie einen Super-8mm-Film laden, versehen Sie die beiden Rollen zunächst mit den mitgelieferten Super-8mm-Filmrollenadaptern. Die Adapter sorgen für eine korrekte Ausrichtung der Rollen an den Spindeln.

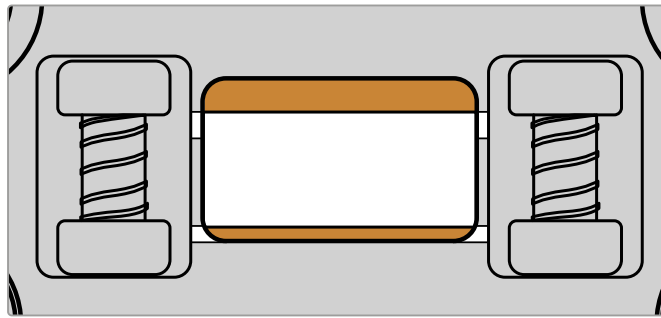


Film einfädeln

Fädeln Sie den Film wie einen 35mm-Film ein. Vergewissern Sie sich, dass der Film ordnungsgemäß durch die Transportwellen gefädelt wurde, bevor Sie auf LOAD drücken oder den Film manuell spannen, da der Film sonst beschädigt werden kann.

Wechseln zwischen 8mm-Filmstreifenformaten

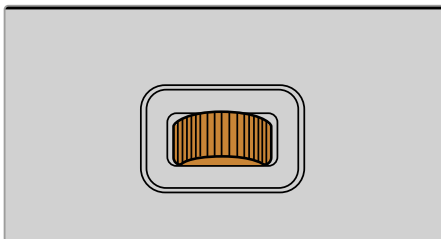
Das optionale 8mm-Bildfenster verfügt über Kadrageverschlüsse, die beim Wechsel zwischen den Filmformaten Standard 8mm, Super 8mm und Max 8mm angepasst werden können. Durch Anpassen der Kadrageverschlüsse an die inaktiven Bildflächen des Films wird vom Filmrand einfallendes Streulicht reduziert und die Bereiche zur Verfolgung der Bildstabilität werden optimiert.



Das 8mm-Bildfenster hat anpassbare Kadrangeverschlüsse

Als weitere Hilfe für Anpassungen ist die Stirn des Bildfensters mit weißen Referenzlinien zur Ausrichtung der einzelnen Filmstreifenformate versehen. Diese Referenzlinien sind nur ein Anhaltspunkt, da Filmmaterial geschrumpft oder in der Kamera unterschiedlich belichtet aufgenommen worden sein kann. Zum finalen Feintuning lädt man ein Filmmuster und kontrolliert das Bild auf einem lokalen HDMI-Bildschirm oder in der DaVinci Resolve Vorschau.

So stellen Sie die Kadrangeverschlüsse ein:

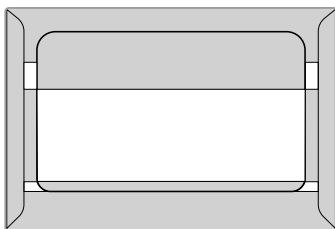


Das Einstellrad hinten am Bildfenster dient zum Anpassen des oberen Verschlusses an der Perforationsseite. Dies ermöglicht den Wechsel zwischen den Filmformaten Standard 8mm und Super 8mm.

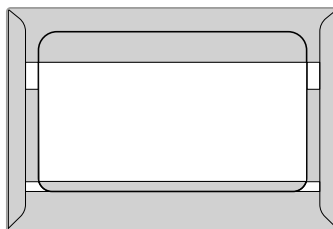


Drehen Sie die mittlere Schraube vorne am Bildfenster mithilfe eines 2mm-Inbusschlüssels, um den gegenüberliegenden Verschluss an der nicht perforierten Seite anzupassen. So können Sie zwischen den Filmformaten Super 8mm und Max 8mm wechseln.

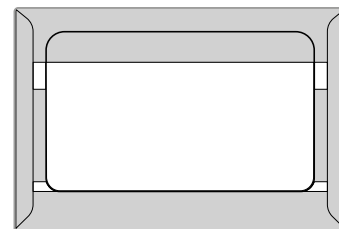
Die Abbildungen unten zeigen die für die Filmformate Standard 8mm, Super 8mm und Max 8mm eingestellten Kadrangeverschlüsse.



Standard 8mm



Super 8mm



Max 8mm

Nachdem Sie die Kadrageverschlüsse angepasst haben, können Sie ein Filmmuster laden, um Feinjustagen an der Ausrichtung der Kadrageverschlüsse zu den inaktiven Bildflächen des Films vorzunehmen.



Inkorrekt eingestellte Kadrageverschlüsse verursachen einen Lichtstreifen an beiden Seiten des Bilds



Inkorrekt eingestellte Kadrageverschlüsse verursachen dunkle Ränder an beiden Seiten des Bilds

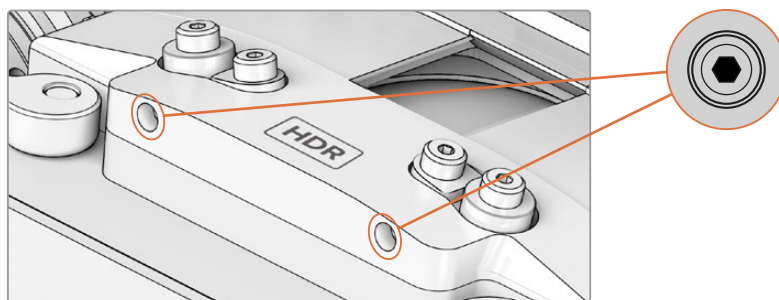


Die Kadrageverschlüsse sind bis an den Rand des inaktiven Bildbereichs des Films korrekt eingestellt

Filmpfad-Spannschrauben

Die vier Rollenlager auf der Führungsplatte halten den Film in der vorgesehenen Spur und minimieren damit Wackeleffekte. Wenn Rollenlager beim Abtasten den Film nicht berühren, kann ihre Spannung angepasst werden. Ziehen Sie hierfür die M4-Spannschrauben an der Vorderseite der Führungsplatte oder des 8mm-Bildfensters mithilfe eines 2mm-Sechskantschlüssels vorsichtig fest.

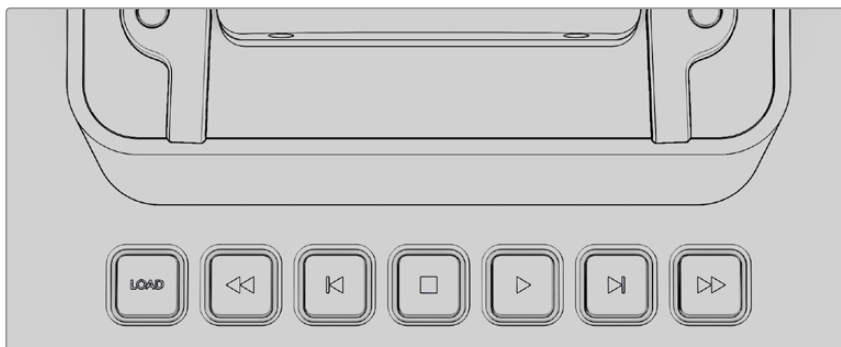
Es gilt zu beachten, dass sich bei zu starker Spannung möglicherweise die Position des Bilds verschiebt. Das kann sich negativ auf Ihren Scan auswirken. In diesem Fall genügt es, die Spannschrauben ein wenig zu lockern, bis das Bild wieder normal positioniert ist.



Die Filmpfad-Spannschrauben befinden sich an der Vorderseite des 8mm-Bildfensters und der 16mm- und 35mm-Führungsplatten

Transporttasten

Für die folgenden Transportbefehle verfügt Ihr Scanner über Tasten und DaVinci Resolve über Steuerelemente.



Ihr Scanner verfügt über eingebaute Steuerelemente zum Spannen und Entlasten von Film sowie für die Vorschau von Scans



Load

Durch Drücken der „Load“-Taste wird der in Ihren Scanner eingelegte Film gespannt. Wie Sie Film einfädeln, wird im Abschnitt „Film einfädeln“ erklärt.

Drücken Sie die „Load“-Taste erneut, während der Film ordnungsgemäß gespannt ist, um den Film zu entlasten. Das geschieht, weil die Spannarme in ihre Ruheposition zurückversetzt werden.



Zurückspulen

Drücken Sie auf Zurückspulen, um den Film auf die Abwickelspule zurück zu wickeln. Durch einmaliges Drücken wird der Film so lange zügig zurückgespult, bis die Aufwickelschwelle einer 75mm-Spule erreicht ist. Ist die Schwelle erreicht, wird der Vorgang automatisch gestoppt. Drücken Sie erneut auf Zurückspulen, um den übrigen Film langsam auf die Abwickelspule zu wickeln. Entnehmen Sie dann den Film.

Wenn Sie eine 50mm-Spule verwenden, stoppt Ihr Scanner zunächst bei der 75mm-Schwelle. Drücken Sie erneut auf Zurückspulen, spult der Scanner den Film so lange langsam weiter, bis eine 75mm-Spule komplett aufgewickelt wäre. Sollte Ihr Scanner zu diesem Zeitpunkt noch gespannten Film erkennen, setzt er den zügigen Spulvorgang fort, bis die 50mm-Schwelle erreicht wird. An diesem Punkt stoppt er den Spulvorgang wieder. Drücken Sie ein drittes Mal auf Zurückspulen, um eine 50mm-Spule komplett aufzuwickeln. Für 8mm-Filmrollen sind die Schwellen auf den Durchmesser von 63mm- bzw. 32mm-Filmrollenkernen programmiert.

Da Spulen mit 100 mm selten benutzt werden, ist Ihr Scanner nicht darauf programmiert, den Spulvorgang vor der 100mm-Schwelle zu stoppen. Sollten Sie daher 100mm-Spulen verwenden, ist es ratsam, den Spulvorgang stets im Auge zu behalten. Verwenden Sie für das Aufwickeln von Film den dafür vorgesehenen Schlitz. Wenn Sie nicht möchten, dass das Filmende geknickt wird, können Sie die beim Aufwickeln entstehende Reibung für sich nutzen. Vermeiden Sie beim Aufwickeln auf 100mm-Spulen den Einsatz von Klebefilm, um sicherzugehen, dass der Film sauber abgewickelt wird.



Schritt zurück

Spult den Film um einen Frame zurück. Sie können diese Taste auch gedrückt halten und den Film so mit langsamer Geschwindigkeit zurückspulen.



Stopp

Stoppt die Wiedergabe sowie das Vor- und Zurückspulen.



Abspielen

Startet die Wiedergabe des Films. Die standardmäßige Framerate liegt bei 24 Bildern pro Sekunde (fps). Die Framerate für die Wiedergabe und der Rückwärtsabspielbefehl „Play Reverse“ können in DaVinci Resolve im Fenster „Film Scanner“ eingestellt werden.



Schritt vorwärts

Spult den Film um einen Frame vor. Sie können diese Taste auch gedrückt halten und den Film so mit langsamer Geschwindigkeit vorspulen.



Vorspulen

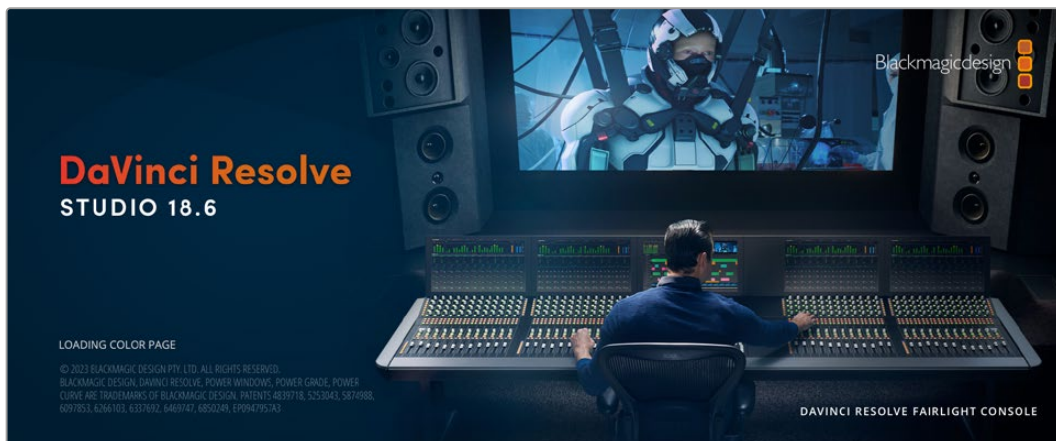
Wickelt den Film zügig auf die Aufwickelpule. Der automatische Stoppmechanismus funktioniert hierbei wie beim Rückspulvorgang für Spulen mit 50, 75 und 100 mm.

Wenn Sie die Taste „Schritt zurück“ oder „Schritt vorwärts“ drücken, spielt der Scanner bei einem Tempo von vier Bildern pro Sekunde vorwärts oder rückwärts ab. Im DaVinci Resolve Fenster „Film Scanner“ können Sie die gleichen Transportbefehle ausführen, indem Sie mit der Maus auf den Button „Schritt zurück“ oder „Schritt vorwärts“ klicken und ihn gedrückt halten.

Standby-Modus

Ist der Scanner inaktiv, versetzt er sich in den Standby-Modus, um die Langlebigkeit der Lichtquelle zu verlängern. Dies geschieht nach 15 Minuten, wenn er über Thunderbolt verbunden ist. Besteht keine Verbindung zu einer Software, wird er bereits nach 1,5 Minuten in den Standby-Modus versetzt. Ihr Scanner signalisiert den Wechsel in den Standby-Modus durch grünes Blinken der Lichtquelle.

Film mit DaVinci Resolve digitalisieren



In diesem Abschnitt erfahren Sie, wie Sie Ihren Scanner über das „Film Scanner“-Fenster in DaVinci Resolve einstellen und steuern. Dazu zählen die Kalibrierung des Scanners, die Einstellung der Lichtstärke, Farbtemperatur und Bildstabilisierung etc. Sie können sogar vorgeben, wie behutsam der Cintel mit Ihrem Film umgehen soll, falls dieser mit der Zeit empfindlicher geworden ist.

TIPP DaVinci Resolve speichert alle Scannereinstellungen in Ihrem aktuellen Projekt.

Die Bedienoberfläche für Cintel Scanner

Klicken Sie in DaVinci Resolve in der Werkzeugleiste auf den Aufnahme-Button, um den Media-Arbeitsraum so einzustellen, dass Sie Ihren Cintel Scanner darüber steuern können. Öffnen Sie das Fenster „Film Scanner“ in DaVinci Resolve, um den Scanner zu kalibrieren und Einstellungen für das Erfassen oder Scannen eines bestimmten Abschnitts des derzeit eingelegten Films zu wählen. Für eine größere Anzeige der Steuerelemente des Cintel Scanners klicken Sie ganz rechts in der Werkzeugleiste auf den Vollbild-Button und blenden das „Metadata“-Fenster aus.



Die Steuerelemente des Cintel Scanners im Media-Arbeitsraum

Transportsteuerelemente

Die Transportsteuerelemente unterhalb des Viewers ähneln zwar jenen, die sonst für die Wiedergabe verwendet werden, steuern aber nun den Cintel Scanner. Zusätzlich erscheinen Buttons, die den Film jeweils einen Frame vor bzw. zurück bewegen.

In- und Out-Button

Im Scanner-Modus definieren die In- und Out-Buttons rechts neben den Transportsteuerelemente einen bestimmten Filmabschnitt, der erfasst werden soll.

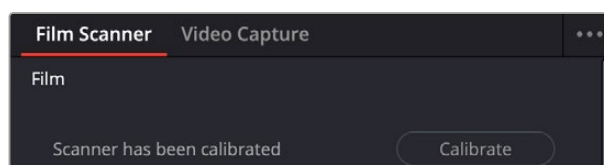
Ist der Scanner-Modus für den Abtastvorgang von Clips in den Media Pool aktiviert, finden Sie die folgenden Einstellungsoptionen rechts neben dem Viewer im Media-Arbeitsraum.

Filmsteuerelemente

Über die verschiedenen Filmsteuerelemente kann man das optische System des Scanners kalibrieren, den Filmtyp und Bandtyp auswählen, die Ausrichtung von Einzelbildern sowie die Scangeschwindigkeit und die Spulenlaufrichtung anpassen und die Focus-Assist-Funktion ein- und ausschalten.

Kalibrierung

Anhand der „Calibrate“-Option können Sie die Optiken des Scanners kalibrieren und so verhindern, dass physisch nicht entfernbare Mängel oder Staubpartikel im gescannten Bild abgebildet werden. Bitte beachten Sie, dass diese Funktion etwaige Verunreinigungen nicht vom Filmband selbst entfernt.



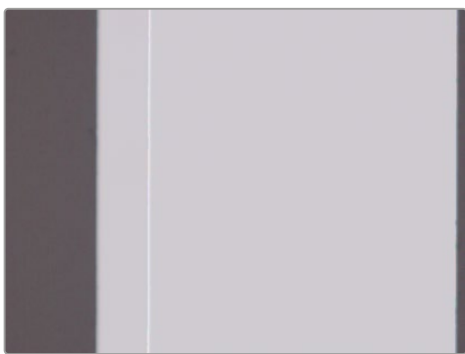
Anhand des „Calibrate“-Buttons lassen sich die Auswirkungen von Staub oder kleinen Flecken im optischen System Ihres Cintel Scanners reduzieren

Es empfiehlt sich, das optische System vor dem Scannen von neuem Filmmaterial feucht zu reinigen. Trotzdem kann es sein, dass gewisse Verschmutzungen nach einiger Zeit nicht mehr entfernbar sind. In diesem Fall hilft die Kalibrierfunktion dabei, diese vom gescannten Bild zu eliminieren.

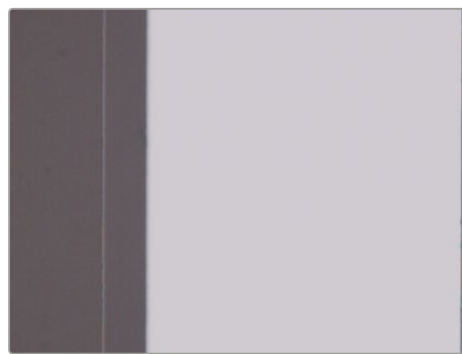
Kalibrieren Sie das optische System bei korrekt installierter und ausgerichteter Führungsplatte. Dies hilft bei der Bildstabilisierung und gewährleistet eine bestmögliche Bildqualität.

Bei Filmtypen von geringerer Breite bewirkt der „Calibration“-Button überdies eine Analyse des installierten Bildfensters und passt das erfasste Bild an eine Datumsreferenz an. Um dies zu ermöglichen, sollte für eine optimale Leistung bei jedem Bildfensterwechsel eine Kalibrierung ohne Film im Bildfenster vorgenommen werden.

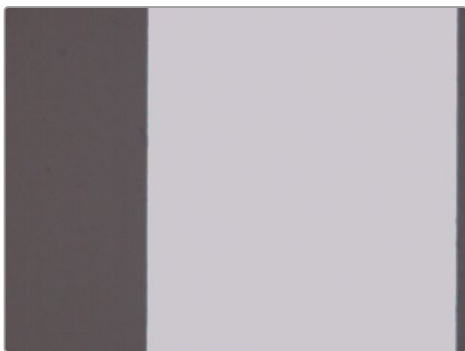
Wenn Sie das 8mm-Bildfenster benutzen und die Kadrageverschlüsse auf ein anderes 8mm-Filmstreifenformat eingestellt haben, kalibrieren Sie es erneut, um ein Geisterbild von der vorherigen Kalibrierung zu verhindern.



Inkorrekte Kalibrierung von Super 8mm-Film mit 8mm-Standard-Kalibrierung



Inkorrekte Kalibrierung von 8mm-Standard-Film mit Super-8mm-Kalibrierung

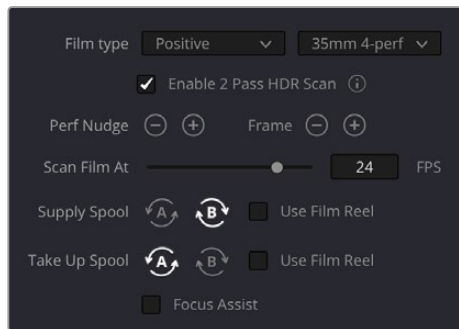


Korrekte Kalibrierung von Standard-8mm-Film

Film type

Wählen Sie hier den Filmtyp aus, den Sie scannen möchten. Für Farb- wie auch Schwarzweißfilm gibt es die Optionen Positivfilm, Negativfilm, Interpositiv und Internegativ. HDR-Scanning bietet eine Verbesserung an all diesen Filmtypen. Geben Sie den Typ Ihrer zu scannenden Filmrolle unter Optionen 35mm mit 2-, 3- und 4- Perforationen, 16mm sowie Super 8mm und 8mm vor. Der Scanner erkennt automatisch, ob der Film in 35 mm, 16 mm oder 8 mm vorliegt. Zum Abtasten von 8mm-Film ist die Standardeinstellung Super 8mm. Wenn Sie normalen 8mm-Film abtasten, stellen Sie den spezifischen Filmtyp manuell ein.

Beim Abtasten von interpositivem und internegativem Film mit einem Cintel Scanner oder Cintel Scanner G2 wird wegen der erhöhten Filmdichte eine leicht verlängerte Pulsdauer der Lichtquelle benötigt. Normalerweise wirkt sich das nicht auf den Scan aus. Bei einer Abtastgeschwindigkeit von mehr als 12 fps kann dies jedoch zu einer geringfügig reduzierten Auflösung führen. Sollten Sie eine Veränderung der Auflösung bemerken, reduzieren Sie die Abtastgeschwindigkeit einfach auf 12 fps oder weniger.



„Film type“-Einstellungen im Media-Arbeitsraum

Enable 2 Pass HDR Scan

Aktiviert die Erfassung mit mehreren Passes mit hohem Dynamikumfang. Bei einem Einzelbild mit breitem Dynamikumfang ist es wichtig, mit „Auto Black“ oder „Auto White“ die automatische Erkennung von Weiß- oder Schwarzwerten vorzugeben, um die hohen und normalen Belichtungsstufen im Frame korrekt darzustellen.

Perf nudge

Über die Buttons „Perf nudge“ nehmen Sie Feinabstimmungen für die Perforationsposition im Verhältnis zur Bildfensteröffnung vor. Command-J rückt den Film um ein Perforationsloch nach oben, Command-L rückt ihn um ein Loch nach unten.

Frame

Diese beiden Buttons müssen zum Aktivieren gedrückt und gehalten werden. Wird einer dieser Buttons gedrückt, bewegt sich der Frame langsam vor bzw. zurück. Wird er losgelassen, stoppt der Film in der derzeitigen Position. Dies ist hilfreich, um einen Frame auf den Sensor des Scanners auszurichten. Mithilfe der Buttons „Perf nudge“ und „Frame“ können Sie das sichtbare Einzelbild ausrichten, sodass der untere Teil des vorherigen Frames und der obere Teil des nachfolgenden Frames nur oben bzw. unten im Viewer zu sehen sind, der eigentliche Frame jedoch vertikal zentriert ist.

Vergewissern Sie sich, dass das Bild des Viewers dabei nicht eingezoomt ist. Der Tastaturbefehl Command + Linkspfeil bewegt den Frame nach oben. Mit Command + Rechtspfeil bewegen Sie den Frame nach unten.

Scan Speed

Bei einer angemessenen Laufwerkleistung sollte es Ihnen möglich sein, mit einer Geschwindigkeit von 30 fps zu scannen. Wenn Sie ein langsames Laufwerk verwenden, können Sie die Abtastgeschwindigkeit auf eine für Ihre Arbeitsumgebung geeignetere Framerate reduzieren, damit keine Frames fallengelassen werden.

Supply Spool

Mit den Abwickelspulen-Buttons stellen Sie die Laufrichtung der linken Abwickelspule ein. Obwohl die automatische Erkennungsfunktion einen unsachgemäßen Betrieb verhindert, bestimmen Sie die Laufrichtung anhand der Aufwicklung Ihres Films besser manuell.

Take Up Spool

Mit den Aufwickelspulen-Buttons stellen Sie die Laufrichtung der rechten Aufwickelspule ein. Obwohl die automatische Erkennungsfunktion einen unsachgemäßen Betrieb verhindert, bestimmen Sie die Laufrichtung anhand der Aufwicklung Ihres Films besser manuell.

Use Film Reel

Kleinere Filmrollen haben ein anderes Gewicht und Trägheitsmoment als große Filmrollen. Das kann sich auf das Transportsystem auswirken. Setzen Sie in diesem Kästchen ein Häkchen und wechseln Sie somit zu Einstellungen, die eine bessere Stabilität für kleine Filmrollen bieten.

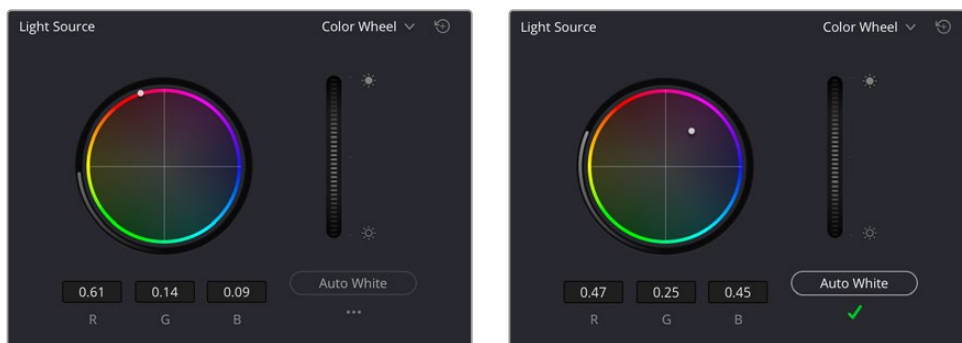
Focus Assist

Aktiviert Luminanz-Peaking über den HDMI-Monitorausgang Ihres Scanners und den Viewer im DaVinci Resolve Fenster „Film Scanner“. So erzielen Sie immer einen optimalen Fokus.

Anpassen der Lichtquelle

Anhand der „Light Source“-Bedienelemente stellt man die Lichtquelle des Cintel Scanners ein, um sie auf Dmin, die optimale Mindestdichte, zu kalibrieren. Der Dmin-Wert steht für den abgetasteten Mindestwert und die Farbtemperatur des abgetasteten Materials. Ein korrektes Anpassen der Lichtquelleneinstellungen gewährleistet, dass die Scans die beste Qualität haben und beim Digitalisieren keine Bilddaten verloren gehen. Es empfiehlt sich, die Einstellungen der Lichtquelle bei jedem Filmwechsel zu prüfen, um die Digitalisierungsqualität zu gewährleisten.

Verwenden Sie die in DaVinci Resolve integrierten Software-Scopes, um Ihre Lichtquelle optimal einzustellen. Scopes können im Arbeitsraum „Media“ unter „Workspace“ > „Video Scopes“ > „On“ aktiviert werden.



Das Dialogfenster „Light Source“ im Medien-Arbeitsraum zeigt Ihnen den standardmäßig unkalibrierten Status der Lichtquelle (Abbildung links) an und den Status nach erfolgreicher Kalibrierung (Abbildung rechts)

Das „Light Source“-Masterrad

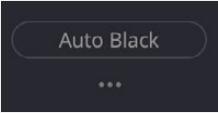
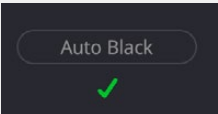
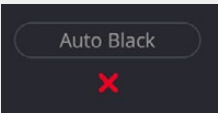
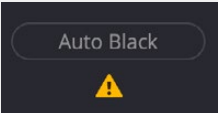
Das Masterrad für die vertikale Lichtquelle, das sich neben dem Farbrad befindet, passt die Intensität der Lichtquelle an, die den Film beleuchtet, und hebt bzw. senkt alle RGB-Kanäle gleichzeitig. Bei üblichen Negativfilmen können Sie hierüber den Schwarzpunkt des Filmbilds – den dunkelsten Bereich der Filmemulsion – anpassen. Bei einem Negativ entspricht dieser Bereich den hellsten Partien des Filmbilds. Stellen Sie die Lichtintensität so ein, dass sie im Histogramm der Videokopie knapp über dem normalen Dmin-Wert von 95 liegt. Damit stellen Sie sicher, dass Lichter bei einer LOG-Konvertierung im Cineon-Stil nicht ausreißen. Stellen Sie das Masterrad bei Positivfilm lediglich so ein, dass kein Teil des Signals verloren geht.

„Auto Black“- und „Auto White“-Button

Analysiert den derzeit im Viewer angezeigten Frame und nimmt automatisch Anpassungen vor, um bei Negativen und Internegativen mithilfe des Kadrierungsbalkens den Schwarzpunkt festzulegen. Bei Print- und Positivfilm werden zum Festlegen des Weißpunkts die hellsten Bildpartien verwendet. Dies erfordert die Auswahl eines Bildausschnitts. Alternativ können Sie bei Positivfilmtypen einen Druckloch-Frame für den maximalen Weißwert verwenden, um sicherzustellen, dass alle folgenden Frames damit übereinstimmen. Bei Positivfilm wird der Button „Auto Black“ zu „Auto White“.

Statusanzeigen für die Lichtquelle

Die Symbole unter dem „Auto Black“- bzw. „Auto White“-Button zeigen an, ob die Lichtquelle erfolgreich für den automatischen Schwarz- bzw. Weißpunkt kalibriert wurde oder ob es Probleme zu beheben gibt. Sie sind auch Erinnerungshilfen, um die LED-Lichtquelle für möglichst hochwertige Digitalisate neu zu kalibrieren.

	Die Kalibrierung der Lichtquelle ist noch nicht erfolgt.
	Die Kalibrierung der Lichtquelle wurde erfolgreich durchgeführt.
	Die Kalibrierung der Lichtquelle ist fehlgeschlagen. Vergewissern Sie sich, dass der korrekte Filmtyp gewählt ist, der Lichtpfad frei liegt und ein passender Referenzframe vorgegeben ist. Spulen Sie den Film ggf. vor, um einen anderen Referenzframe vorzugeben.
	Durch die Lichtquellenkalibrierung wurden zwar die Farben erfolgreich abgeglichen, aber nicht auf dem gewünschten Niveau. Nun können Sie den abgeglichenen Scan akzeptieren und das Bild im Color-Raum in DaVinci Resolve optimieren. Alternativ versuchen Sie es mit einem anderen Referenzframe, um mit einem breiteren Dynamikumfang zu kalibrieren.

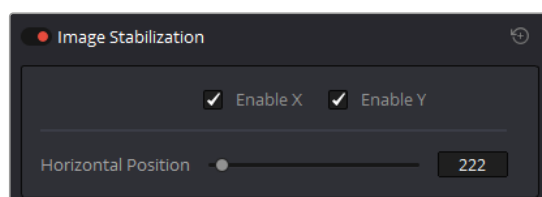
RGB-Steuerung

Standardmäßig ermöglicht eine Farbbalance-Steuerung die Anpassung aller drei Farbkanäle um unterschiedliche Werte, um die Farbtemperatur der Lichtquelle zu verändern. Die angepassten R-, G- und B-Werte werden in den drei Feldern darunter angezeigt. Sie können sich diese Steuerung auch im Farbbalkenmodus „Color Bars“ anzeigen lassen. Diese Einstellung finden Sie in der Titelzeile rechts neben „Light Source“. Das Steuerelement wird Ihnen dann als roter, grüner und blauer vertikaler Schieberegler angezeigt.

HINWEIS Die Lichtquellenkalibrierung wird gespeichert und bleibt nach dem Wechsel von Filmrollen bestehen. So können Sie mehrere Filmrollen mit einer einzigen Lichtquellenkalibrierung sowohl in SDR- als auch HDR-Modi abtasten. Die zuletzt vorgenommene Kalibrierung der Lichtquelle bleibt so lange gespeichert, bis sie erneut kalibriert oder der Cintel Scanner aus- und wieder eingeschaltet wird.

Image Stabilization

Über diese Einstellungen können Sie die Bildstabilisierung aktivieren, deaktivieren und anpassen, um vertikale Bildsprünge und horizontale Bildkrümmungen zu vermeiden.



Einstellungen zur Bildstabilisierung im Media-Arbeitsraum

Image Stabilization Enable/Disable

Der Punkt in der Titelzeile links neben „Image Stabilization“ lässt Sie die hardwarebasierte Bildstabilisierung Ihres Scanners komplett aktivieren bzw. deaktivieren. Bei hochwertigen Perforationen ist die hardwarebasierte Bildstabilisierung in der Regel wünschenswert. Befindet sich die Perforation jedoch in keinem guten Zustand, können Sie stattdessen von der softwarebasierten Bildstabilisierung in DaVinci Resolve Gebrauch machen.

Bei aktivierter Bildstabilisierung wird im Viewer ein weißes X-Achsen-Overlay eingeblendet. Dieses zeigt an, welche Kante der Filmperforation als Anhaltspunkt für die Stabilisierung verwendet wird. Bei der Aufzeichnung wird dieses Overlay jedoch automatisch verborgen. Bildstabilisierung ist standardmäßig aktiviert.

„Enable X“ und „Enable Y“

Anhand der Kontrollkästchen „Enable X“ und „Enable Y“ wählen Sie, ob Sie das Bild horizontal oder vertikal hardwarebasiert stabilisieren wollen. Sollte das Resultat mit beiden aktivierten Achsen nicht zufriedenstellend sein, können Sie jene Achse deaktivieren, die Probleme bei der Stabilisierung verursacht, und stattdessen die softwarebasierte Bildstabilisierung in DaVinci Resolve nutzen.

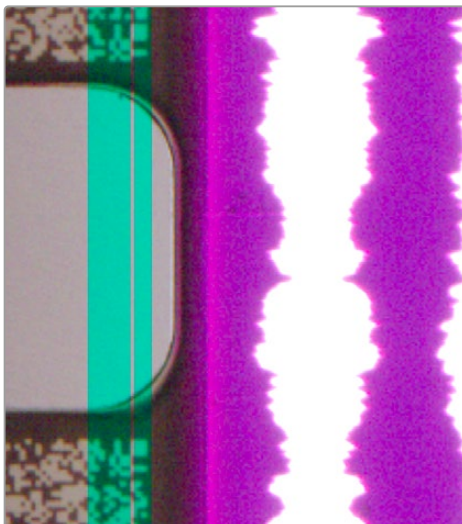
„Horizontal Position“-Schiebereglern

Ihr Cintel Scanner versucht, das Stabilisierungs-Overlay an der bestmöglichen Stelle zu platzieren. Dies geschieht anhand der Perforationslöcher des derzeit geladenen Frames.

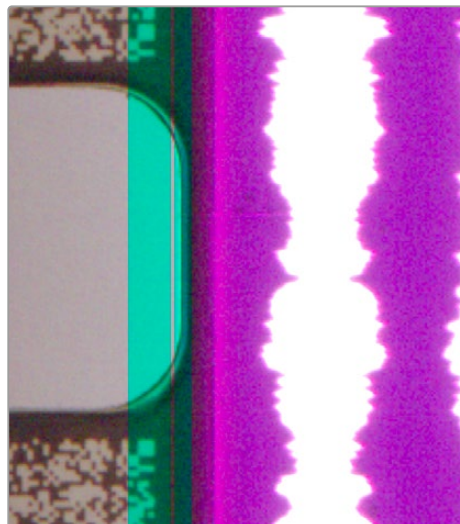
Es erscheint eine dünne transparente Linie im blauen Ausrichtungs-Overlay. Bei optimaler Ausrichtung sollte diese Linie entlang der Perforationskante verlaufen. Ist die automatische Positionierung nicht ideal, können Sie das Overlay im Viewer manuell mit Ihrer Maus bzw. mithilfe des horizontalen Schiebereglers in die richtige Position ziehen.

Für eine ideale Ausrichtung des Stabilisierungs-Overlays sollte die transparente Linie im Ausrichtungs-Overlay wie im Beispielbild entlang der Kante der Perforation positioniert werden. Ist das Overlay korrekt positioniert, wird die Hardware-Stabilisation auf der X-Achse ermöglicht.

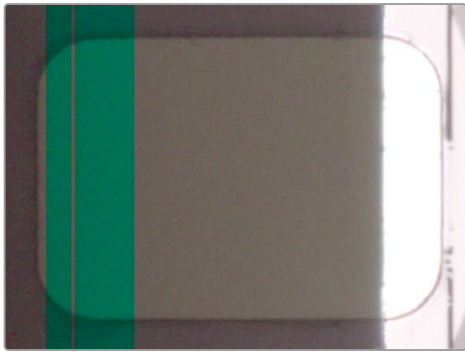
Ist das Kontrollkästchen „Enable Y“ aktiviert, gleicht die Bildstabilisierung automatisch vertikal verwackelte Frames aus. Dies bedarf keiner weiteren Anpassung und funktioniert in Verbindung mit der horizontalen Stabilisierung.



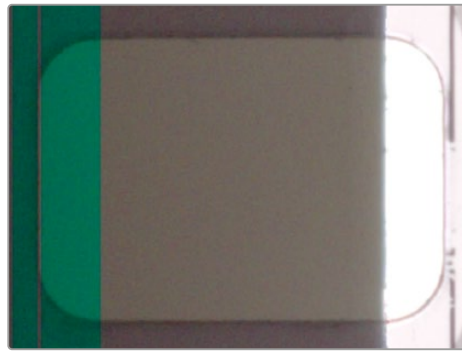
Inkorrekte 35mm-Einstellung. Anpassung der horizontalen Position des Stabilisierungs-Overlays. Hier ist das Overlay nicht korrekt auf die Perforationskante ausgerichtet



Korrekte 35mm-Einstellung. Korrekt über dem Perforationsloch platziertes hardwarebasiertes Stabilisierungs-Overlay im Viewer. Die transparente Linie im Stabilisierungs-Overlay berührt die Perforationskante



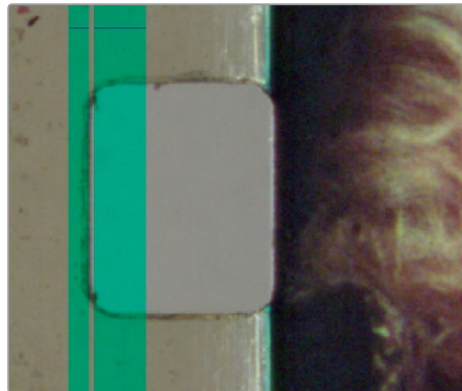
Inkorrekte 16mm-Einstellung. Das Overlay ist nicht korrekt auf die Perforationskante ausgerichtet. Ist die 16mm-HDR-Führungsplatte installiert, richtet sich der Stabilisator an der gegenüberliegenden Seite der Lochung aus, um das Bild des Films nicht zu stören und die horizontale Stabilität zu verbessern. 16mm-Führungsplatten, die nicht für HDR konzipiert sind, funktionieren genauso wie die 35mm-Führungsplatte



Korrekte 16mm-Einstellung. Die für das Stabilisierungs-Overlay standardmäßige Ausrichtung ist die linke Perforationskante, da diese nicht vom Bildinhalt beeinflusst wird. Die transparente Linie im Stabilisierungs-Overlay berührt die Perforationskante korrekt



Inkorrekte 8mm-Einstellung. Das Overlay ist nicht korrekt auf die Perforationskante ausgerichtet



Korrekte 8mm-Einstellung. Die für das Stabilisierungs-Overlay standardmäßige Ausrichtung ist die linke Perforationskante, da diese nicht vom Bildinhalt beeinflusst wird. Die transparente Linie im Stabilisierungs-Overlay berührt die Perforationskante korrekt

Um das Ergebnis Ihrer Stabilisierungseinstellungen vor dem Abtastvorgang zu überprüfen, aktivieren Sie die Vollauflösung für den Viewer und zoomen für feine Anpassungen in den Perforationsbereich. Klicken Sie oben rechts im Viewer einfach auf die Optionseinstellungen und wählen Sie „Full Resolution Preview“ (Vorschau in Vollauflösung) aus dem Menü. Wählen Sie oben links im Viewer per Klick auf den Zoom-Skalar die Option „100 %“. Diese Einstellung hat keine Auswirkungen auf die Stabilisierungsfunktion, bietet Ihnen jedoch eine bestmögliche Vorschau. So haben Sie im Blick, wie gut sie funktioniert.

Die Einstellung für Vollauflösung ist sehr GPU-intensiv und kann zu Frameverzögerungen führen. Schalten Sie die Vollauflösung für eine bestmögliche Arbeitsleistung nach dem Überprüfen der Stabilisierung daher wieder aus. Es ist zu beachten, dass die Overlay-Position nicht in den Clip-, sondern in den Projekteinstellungen gespeichert wird. Entsprechend mögen für verschiedene Filmrollen jeweils individuelle Anpassungen erforderlich sein.

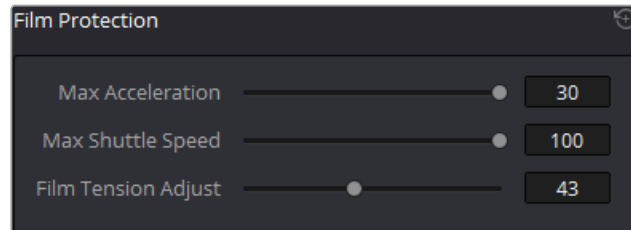
Für bestimmte Filmtypen kann das Erkennungs-Overlay im Stabilisierungspanel über den Reset-Button auf seine Ausgangsposition zurückgesetzt werden.

Audio und Synchronisation

Die „Audio and Synchronization“-Palette enthält die Einstellungen für den optionalen Cintel Audio and KeyKode Reader. Weitere Informationen finden Sie im Abschnitt „Optionaler Audio and KeyKode Reader“.

Film Protection

Diese Optionen sorgen bei empfindlichem Filmmaterial für eine besonders behutsame Handhabung durch Ihren Cintel Scanner. Schnelle Beschleunigungen und Laufgeschwindigkeiten können Archivmaterial strapazieren. Deshalb ist es beim Abtasten von älterem Filmmaterial ratsam, beide Schieberegler auf einen Wert unterhalb des Standardwerts einzustellen.



Verringern Sie die Werte für „Acceleration“ und „Shuttle Speed“ zum Scannen von älterem, empfindlichem Filmmaterial

HINWEIS Der „Film Tension Adjust“-Slider zum Justieren der Filmspannung ist bei Einsatz von Cintel Scannern mit Transporttrommel verfügbar.

Max Acceleration

Erhöht oder verringert die Geschwindigkeit um 5–30 fps.

Max Shuttle Speed

Hier können Sie die Laufgeschwindigkeit von einem Filmabschnitt zum nächsten zwischen 1 und 100 fps für 35mm-Film und zwischen 1 und 200 fps für 16mm-Film einstellen.

Film Tension Adjust

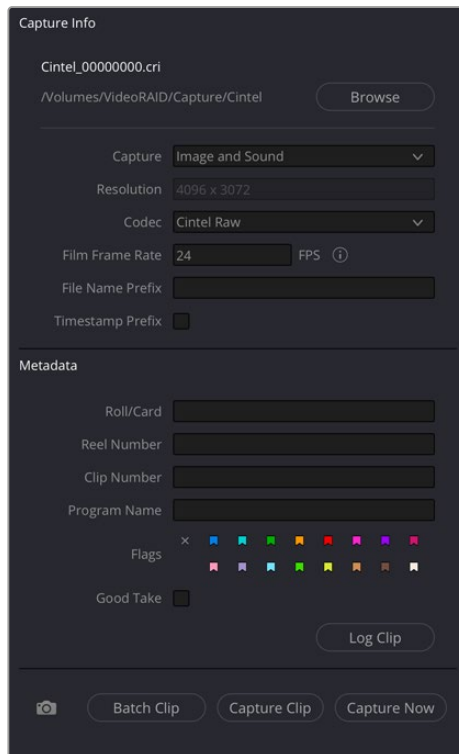
Verfügt Ihr Cintel Scanner über Zahnwellen, geben Sie mithilfe dieser Einstellung vor, wie stark 35mm-Film gespannt wird. Zum Beispiel wenn Sie empfindliches Filmmaterial einlegen oder Filmschrumpfung ausgleichen müssen. Mit der Einstellung „Film Tension Adjust“ wird der Film auf keinen Fall beschädigt. Die Anpassungswerte sind sehr niedrig und es reichen dezente Änderungen, um Beschädigungen durch die Zähne zu verhindern.

Verfügt Ihr Cintel Scanner über Capstanwellen, kann der Film nicht mithilfe von Zähnen gespannt werden. Daher ist diese Einstellung deaktiviert oder nicht vorhanden.

Bearbeiten der Metadaten unter „Capture Info“

Wird DaVinci Resolve in Verbindung mit einem Cintel Scanner verwendet, erscheinen unten im „Film Scanner“-Fenster einige Felder zur Erfassung von Metadaten. Unter „Capture Info“ finden sich editierbare Metadatenfelder für Aufzeichnungseigenschaften. Dazu gehört, wo Dateien gespeichert werden, die Art des Codecs, die Framerate sowie das Format der Dateinamen. Diese Metadaten sind mit Ihren Clips verknüpft und werden auch im Media-Arbeitsraum angezeigt.

Passen Sie die Projekteinstellungen nach Ihren Bedürfnissen an, bevor Sie mit dem Abtastvorgang beginnen.



Unter „Capture Info“ können Sie Metadaten für Ihre abgetasteten Clips vorgeben

Capture Location

Bevor Sie den Abtastvorgang starten, scrollen Sie im „Film Scanner“-Fenster zum Abschnitt „Capture Info“ (Aufzeichnungsinformationen) herunter, um sicherzustellen, dass die gescannten Dateien am gewünschten Ort gespeichert werden. Klicken Sie auf den „Browse“-Button und wählen Sie im Dialogfenster einen Speicherpfad aus. Dies sollte als erstes getan werden, da dieser Schritt häufig vergessen wird.

Capture

Ist ein Cintel Audio and KeyCode Reader installiert, steht Ihnen in diesem Menü die Auswahloption „Audio only“ zur Verfügung, bei der kein Bild erfasst wird. Mit der Option „Image and sound“ werden Bild und Ton erfasst. Alternativ wählen Sie „Image only“, wenn der Ton nicht mitaufgezeichnet werden soll.

Resolution

Die Auflösung der erfassten Dateien hängt vom Quellformat des Films ab, daher ist dieses Feld nicht editierbar.

Codec

DaVinci Resolve wählt für verlustfreie Kompression standardmäßig den „Cintel Raw“-Codec. Alternativ können Sie auch „Cintel Raw 3:1“ für noch kleinere Dateigrößen wählen.

Film Frame Rate

Geben Sie die Bildwechselfrequenz vor, in der der Film ursprünglich gedreht wurde. DaVinci Resolve passt die Timeline-Framerate automatisch diesem Wert an. Diese Einstellung steht in keinem Zusammenhang mit der Abtast- oder Übertragungsgeschwindigkeit.

Bei Verwendung des optionalen Audio and KeyCode Readers zur Audioabtastung passt der Reader automatisch die Framerate an, um eine Samplerate von 48 kHz beizubehalten. Timecode-Ausgaben werden für Frameraten von 16, 24, 25 und 30 fps unterstützt. Für andere Frameraten wird kein Timecode-Signal ausgegeben.

File Name Prefix

Präfix zur Identifizierung des Scans. Hierbei kann es sich um den Namen Ihres Projekts handeln, wie bspw. den Titel des Films, den Sie scannen.

Timestamp Prefix

Wählen Sie dieses Kontrollkästchen, um Ihre Scans mit einem Zeitstempel- und dem vorgegebenen Dateinamenspräfix zu versehen. Ihre Clips werden in unabhängigen Unterordnern des Zielordners gespeichert. Dieses Kontrollkästchen ist standardmäßig aktiviert.

Wenn alle Clips zusammen ohne Timecode im Dateinamen in einem Überordner gespeichert werden sollen, deaktivieren Sie das Kontrollkästchen einfach.

HINWEIS Wenn Sie erfassten Dateien keine mit einem Zeitstempel-Präfix individualisierten Namen zuweisen und zwei Dateien mit gleichem Namen am selben Speicherort abgelegt werden, kann es sein, dass eine Datei überschrieben wird.

Roll/Card, Reel Number, Clip Number und Program Name

Dies sind Möglichkeiten, mit denen Sie Clips anhand von Metadaten identifizieren können.

Flags

Verwenden Sie farbkodierte Flaggen, um Clips zu markieren.

Good Take

Entspricht den „Circled Take“-Metadaten im Media Pool.

Log Clip

Fügt einen Clip dem Media Pool hinzu. Sobald Sie den In- und Out-Punkt für den abzutastenden Bereich ausgewählt haben, vergewissern Sie sich, dass die Metadaten korrekt sind. Klicken Sie anschließend auf „Log Clip“. Weitere Informationen finden Sie in den Abschnitten „Logging and Capturing Individual Clips“ und „Logging and Capturing Multiple Clips“ im englischsprachigen DaVinci Resolve Handbuch.

Batch Clip, Capture Clip, Capture Now und Snapshot

Diese Abtast-Buttons bieten verschiedene Möglichkeiten zur Cliperfassung. Weitere Informationen zu den Abtast-Buttons finden Sie im Abschnitt „Einen oder mehrere Filmabschnitte abtasten“ in diesem Handbuch.

Workflows für die Digitalisierung von Film

Im folgenden Abschnitt wird beschrieben, wie Sie mit DaVinci Resolve Filme abtasten und den Cintel Scanner steuern können. Die im vorherigen Abschnitt beschriebenen Funktionen werden in derselben Reihenfolge dargestellt, in der Sie auch den Abtastprozess durchführen werden.

Bevor Sie beginnen

Bevor Sie den Scanner einschalten und Film einlegen, reinigen Sie zunächst das Bildfenster, damit das Material möglichst sauber digitalisiert werden kann. Dies funktioniert am besten mit Druckluft. Sollte das Bildfenster aber extrem verschmutzt sein, können Sie es auch entfernen und gründlicher reinigen. Ist dieser Schritt erledigt, können Sie den Cintel Scanner einschalten, DaVinci Resolve öffnen und das Projekt erstellen, mit dem Sie den Film abtasten werden. Klicken Sie anschließend im Arbeitsraum „Media“ auf den Button „Cintel Scan“. Klicken Sie nun auf den „Film Scanner“-Tab, um DaVinci Resolves Fenster „Film Scanner“ auszuwählen.

Klicken Sie auf den „Calibrate“-Button unten links im „Film Scanner“-Fenster, bevor Sie Film einlegen oder einen anderen Schritt vornehmen. Hartnäckige Verunreinigungen auf den Optiken, die beim Scannen mitabgebildet wurden, lassen sich anhand der Kalibrierfunktion von den Bildern eliminieren. Dennoch sollten Sie das Bildfenster vor dem Einlegen von Film unbedingt von Staub befreien.

Laden und Ausrichten des Films

Laden Sie den Film, den Sie abtasten möchten. Ist ein Bild vorhanden, richtet der Scanner den Frame automatisch aus. Bitte beachten Sie, dass das Bild evtl. nicht korrekt ausgerichtet ist, falls Sie zunächst ein leeres Stück Startband einlegen.

Wählen Sie als nächstes den Filmtyp. Richten Sie wenn nötig das sichtbare Einzelbild mithilfe der Buttons „Perf nudge“ und „Frame“ manuell auf den Sensor des Abtasters aus. Dabei sollen der untere Teil des vorherigen Frames und der obere Teil des nachfolgenden Frames nur oben bzw. unten im Viewer zu sehen sein, das eigentliche Einzelbild jedoch vertikal zentriert sein. Vergewissern Sie sich, dass das Bild des Viewers dabei nicht eingezoomt ist.

Fokussieren des Scanners

Genau wie bei einem Kameraobjektiv müssen Sie den projizierten Film auf dem Scanner-Sensor scharf stellen. Perfekt fokussiert wird, wenn Sie in DaVinci Resolve unter „Capture Setting“ das Kontrollkästchen neben „Focus Assist“ aktivieren. Auf dem Ultra-HD-Bild, das über den HDMI-Ausgang des Scanners ausgegeben wird, wird dann ein Focus-Peaking-Overlay eingeblendet. Dieses Overlay ist außerdem im Aufzeichnungsfenster von DaVinci Resolve sichtbar. Das beste Ergebnis erzielen Sie, wenn Sie einen Ultra-HD-Monitor an Ihren Cintel Scanner koppeln, da Sie so den Fokus mit der bestmöglichen Auflösung überprüfen können.

Ist „Focus Assist“ aktiviert, erkennt die Focus-Peaking-Funktion die Filmkörnung im abgetasteten Bild, sobald die Filmebene scharf gestellt ist. Dem Bediener ist es somit möglich, den Scanner selbst dann zu fokussieren, wenn das Filmbild unscharf ist. Behalten Sie einfach die Ultra-HD-Ausgabe im Auge, während Sie das Fokusrad des Cintel Scanners betätigen. Ihr Bild ist dann scharf gestellt, wenn die Filmkörnung im Bild farbig umrandet ist.

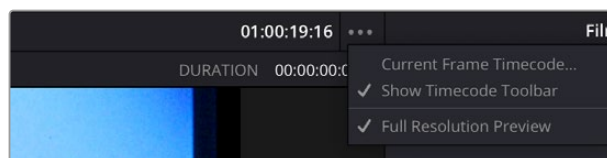
Sie können Ihre fokalen Anpassungen kontrollieren, indem Sie die Kanten der Filmperforation überprüfen. Sind diese scharfgestellt, ist der Film fokussiert.

Timecode zurücksetzen

Um den Timecode für die abzutastende Filmrolle einzustellen, müssen Sie den Null-Frame der Rolle finden. Es ist üblich, dass man als Anhaltspunkt hierfür im Startband ein Loch in den Frame vor dem ersten erwünschten Einzelbild stanzt. So wird gewährleistet, dass bei einer Filmspule immer ab demselben Frame gescannt wird. Man bezeichnet diese Referenz als Startmarke. Wird der erste Timecode-Frame immer auf die Startmarke ausgerichtet, haben alle zukünftigen Abtastvorgänge dieselbe Anzahl an Frames. So können Sie das Material einer Filmspule wann immer nötig erneut scannen und neu conformen.

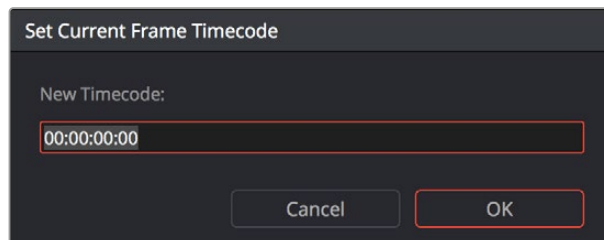
So setzen Sie den Scan-Timecode auf die Startmarke einer neuen Filmspule zurück:

- 1 Finden Sie mithilfe der Transportsteuerelemente unterhalb des Viewers den markierten Frame.
- 2 Klicken Sie im „Viewer“-Menü auf „Current Frame Timecode“.



Auswahl von „Current Frame Timecode“ im „Viewer“-Menü

- 3 Geben Sie in das nun erscheinende Dialogfenster einen Timecode-Wert ein. Wenn Sie bspw. die erste Filmrolle eines Projekts scannen, können Sie 01:00:00:00 eingeben.



Das Dialogfenster „Set Current Frame Timecode“

- 4 Klicken Sie anschließend auf „OK“.

Timecode darf nicht als negativer Wert angegeben werden. Setzen Sie daher den Start-Frame nicht auf Null. Beim Wechseln von Filmrollen ist es auch üblich, den Stundenwert einer Filmrolle so zu ändern, dass dieser mit der Bandnummer übereinstimmt. So kann ein digitalisierter Clip immer mit der dazugehörigen Filmrolle und den Frame-Zahlen identifiziert werden.

Ihr Scanner verfügt über eingebaute Schnittstellen, über die Sie in Zukunft zusätzliche Hardware anschließen können. Das hält die Möglichkeit offen, Funktionen wie das Auslesen von KeyKode von Kameranegativen oder von Lichtton oder magnetischem Ton hinzuzufügen. Weitere Informationen finden Sie im Abschnitt „Optionalen Audio and KeyKode Reader“.

Auswahl des Speicherorts für gescannte Frames

Scrollen Sie anschließend nach unten zu den „Capture Info“-Steuerelementen im „Film Scanner“-Fenster und klicken Sie auf „Browse“, um einen Speicherort für Ihre Scandateien zu bestimmen. In die übrigen Felder in diesem Abschnitt können Sie ein Präfix eintragen, das Sie dem Dateinamen und den dazugehörigen Ordnern hinzufügen wollen. Das Dateinamenpräfix „File Name Prefix“ aktualisiert die Dateinamenvorschau in der Kopfzeile. Die Kopfzeile zeigt darüber hinaus den Dateipfad, die Auflösung, Framerate, Dauer und das Format an. Geben Sie vor, welche Informationen zu Filmrolle, Clip und Programm mit den abgetasteten Medien in Verbindung gebracht werden sollen. Das Kontrollkästchen „Timestamp Prefix“ unter „Capture Info“ ist standardmäßig aktiviert und sorgt dafür, dass Ihre Clips in unabhängigen Unterordnern innerhalb des Zielordners zusammen mit einem Timecode-Präfix im Dateinamen gespeichert werden.

Wenn alle Clips zusammen in einem Überordner gespeichert werden sollen, deaktivieren Sie das Kontrollkästchen einfach.

Beim Erfassen eines HDR-Clips führt der Scanner eine Abtastung bei hoher Lichtstärke aus. Der Scan wird in einem verborgenen Ordner mit dem Suffix .hdr im gleichen Ordner abgelegt, der auch den regulären Scan enthält. Wenn Sie den HDR-Unterordner löschen, dann den Ordner im Medienspeicher aktualisieren und ihn neu in den Media Pool importieren, wird der Scan in einen normalen Clip umgewandelt. Praktisch ist das bei einem Problem mit dem HDR-Teil des Scans, da Sie den Scan mühelos in einen normalen CRI-Clip umwandeln können.

Überprüfen des Codecs

DaVinci Resolve wählt standardmäßig den „Cintel Raw“-Codec. Alternativ können Sie auch „Cintel Raw 3:1“ wählen.

Das Cintel Raw Format

Das Cintel Raw Format Bayer-Muster von jedem einzelnen Frame, der vom Sensor des Cintel abgetastet wurde, wird mit eingebetteten Scanner-Metadaten als lineare Cintel Raw Image (CRI) Bildsequenz in 12-Bit gespeichert. Beim Grading in DaVinci Resolve wird bei CRI-Bildern automatisch De-Bayering durchgeführt, d. h. sie werden in 12-Bit-Log verschlüsselte Bilddaten umgewandelt.

Die logarithmische Verschlüsselung ähnelt der Cineon-Enkodierung, ist aber nicht dasselbe. Negativfilm wird bspw. mit einem Gammawert von 2,046 für Dichte verschlüsselt. Positivfilm hingegen wird mit einer kompletten Gamma-2.2-Kurve verschlüsselt, um sicherzustellen, dass keine Bilddaten abgeschnitten werden. Beide dieser logarithmischen Verschlüsselungen können mithilfe der 1D-LUT „Cintel to Linear“ in einen linearen Farbraum umgewandelt werden, bevor sie zu einem anderen Farbraum konvertiert werden, in dem Sie arbeiten möchten.

Der Film wird mit der vollen Auflösung des Sensors von 4096 x 3072 abgetastet. Dadurch bleiben die optische Audiowellenform und die Perforation zu Stabilisierungszwecken sichtbar. Das Bild wird dann beschnitten. Die Auflösung der erfassten Dateien hängt vom Quellformat des Films ab, nachdem der Perforations- und Audiobereich entfernt wurde. Weitere Informationen zu Abtastaufösungen für verschiedene Filmarten finden Sie im Abschnitt „Technische Spezifikationen“.

Der Cintel Scanner kreiert standardmäßig Cintel-Raw-Dateien mit variabler Bitrate und verlustfreier Kompression. Hierbei handelt es sich um eine visuell verlustfreie Kompression mit einer im Verhältnis von 3:2 reduzierten Dateigröße, je nach Bildinhalt. Cintel Raw 3:1 hingegen komprimiert verlustbehaftet in einem ungefähren Verhältnis von 3:1. Die Qualität ist weiterhin sehr hoch, jedoch nicht immer visuell verlustfrei. Beispiel: Dateien von 35mm-Film mit 4-Loch-Perforation haben eine Größe von ca. 12,5 MB in Cintel Raw und ca. 6,3 MB in Cintel Raw 3:1. Dateien von 16mm-Film haben eine Größe von ca. 4 MB in Cintel Raw und ca. 2 MB in Cintel Raw 3:1.

Qualitätseinstellungen für CinemaDNG

Um die Qualität von CRI-Dateien zu beeinflussen, können Sie in der „Camera Raw“-Palette in den Projekteinstellungen die Einstellungen „Decode Quality“ und „Play Quality CinemaDNG“ verwenden. Die Standardeinstellung ist „Full“ für volle Qualität. Auf prozessor- oder speicherschwachen Computern kann man diese Einstellungen herabsetzen. Dies beeinträchtigt aber die Qualität des finalen Renderings.

Dialogfeld „Set the Timeline Resolution“

Die Ausgabe des Scanners wird von DaVinci Resolve in der gleichen Auflösung wie in der Timeline angezeigt und gerendert. Beispiel: Ein 35mm-Film mit vier Perforationslöchern würde eine spezifische Auflösung von 4096 x 3072 Pixeln für eine maximale Auflösung erfordern.

HINWEIS Wenn Ihre Timeline für die Ausgabe in Ultra HD auf HDR eingestellt ist, kann es zu einem Auflösungsverlust kommen.

Einzelheiten zu den Auflösungen von Bildausschnitten für alle Filmbreiten finden Sie im Kapitel „Technische Spezifikationen“ im Abschnitt „Effektive Auflösungen“. Alternativ greifen Sie in DaVinci Resolve auf „Clip Attributes“ zu, um die volle native Auflösung eines erfassten Clips zu ermitteln.

Anpassen der Farbe Ihres Scanners

Über das „Film Scanner“-Fenster in DaVinci Resolve haben Sie Kontrolle über die Belichtungs- und Farbtemperatureinstellungen der Lichtquelle, mit der Ihr Film während des Abtastvorgangs beleuchtet wird. Sie können diese anhand des Masterrads für die Lichtquelle und die RGB-Steuererelemente anpassen, um die zu erfassenden Bildinformationen eines jeden Frames zu maximieren. Gleichzeitig verhindern Sie so, dass Teile Ihres Bildes unwiederbringlich verloren gehen. Auch wenn es sich bei CRI um ein RAW-Bildformat handelt, erlaubt es über den von DaVinci Resolve verwendeten internen Datenbereich hinaus keinen Spielraum für Anpassungen. Erscheinen Daten laut der Videoskope daher geklippt, werden diese Informationen bei der Digitalisierung möglicherweise nicht miterfasst.

Wie oft Farbe und Belichtung für das gescannte Material angepasst werden müssen, hängt von der Vielfalt der Szenen einer Filmrolle ab. Ein Beispiel: Einige Filmrollen enthalten viele Takes einer einzelnen Szene, bei der die Beleuchtung gleich ist. Hier können dieselben Einstellungen verwendet werden.

Andere Filmrollen enthalten jedoch eine Vielzahl von Szenen mit unterschiedlichen Lichtverhältnissen. Dann müssen Sie für eine maximale Datenqualität für jeden Clip individuell Anpassungen vornehmen.

Das ist wichtig, weil während eines Log-and-Capture-Workflows die Einstellungen des Masterrads für die Lichtquelle und der RGB-Steuererelemente zwischen digitalisierten Clips nicht automatisch geändert werden können. Das bedeutet, dass die Einstellungen für die Lichtquelle auf alle Clips angewendet werden, bis Sie diese manuell ändern. Das gilt auch für Clips, die von unterschiedlichen Abschnitten einer Filmrolle erfasst wurden. Ein Log-and-Capture-Workflow ist also nur dann zu empfehlen, wenn mehrere Clips mit denselben Masterrad- und RGB-Einstellungen erfasst werden können.

Ansonsten ist es ratsam, Belichtungseinstellungen von Clip zu Clip vorzunehmen. Das gilt besonders dann, wenn Sie eine maximale Bildqualität fürs Finishing benötigen. Bedenken Sie, dass das Ziel dieser Anpassungen die Maximierung der Bilddatenqualität eines Abtastvorgangs ist und nicht die Kreation des finalen Looks. Diesen können Sie später in der Grading-Phase im Arbeitsraum „Color“ perfektionieren.

Finden Sie für die Einstellung der Lichtquelle ein für den zu scannenden Filmabschnitt typisches Bild und passen Sie die Lichtquelle an, während Sie dabei die Videoskope im Auge behalten.

Passen Sie das Masterrad an, um die Intensität des auf den Film treffenden Lichts einzustellen. Diese intensiviert bzw. verringert die R-, G- und B-Kanäle gleichzeitig. Bei üblichen Kameranegativen können Sie so den Schwarzpunkt des Filmbilds justieren. Bei Negativen entspricht der dunkelste Bereich des Bilds den Highlights im Filmbild. Stellen Sie das Masterrad für die Lichtquelle so ein, dass der Wert im Histogramm der Videoskope knapp über dem normalen Dmin-Wert von 95 liegt. Damit gehen Sie sicher, dass helle Farbtöne bei einer Cineon-LOG-Konvertierung nicht ausreißen. DaVinci benutzt diese Konvertierung für das De-Bayering des CRI-Bilds fürs Grading. Um für Positivfilm Clipping in den Lichtern und Schatten zu vermeiden, stellen Sie die Intensität der Lichtquelle manuell ein. Normalerweise ein Wert von 1000 für 10 Bit und ein Wert von 4000 für 12 Bit.

In den Scopes „Waveform“, „RGB Parade“ oder „Histogram“ können Sie die Option „Show Reference Levels“ (Referenzpegel anzeigen) aktivieren und den „Low“-Wert auf den Dmin-Wert von 95 setzen.

Passen Sie anschließend die drei RGB-Farbkanäle individuell an, um die Farbtemperatur der Lichtquelle festzulegen. Dies sorgt für eine hilfreiche oder neutrale Farbbalance in Ihrem digitalisierten Bild.

Einen oder mehrere Filmabschnitte abtasten

Nachdem Sie die Lichtquelle eingestellt haben, empfiehlt sich auch beim Abtasten der einzelnen Clips eine gute Organisation. Tragen Sie darum alle relevanten Metadaten in den „Metadata“-Editor ein. Im Bereich „Capture Info“ können Sie Informationen in die entsprechenden Metadatenfelder eingeben, wie bspw. Dateinamenpräfix, Filmrolle, Bandnummer, Clipnummer, Programmname, Flaggen und die Beurteilung spezifischer Takes. Wenn Sie diese Felder vor dem Abtasten eines Clips ausfüllen, werden die entsprechenden Metadaten in die Clip-Datei geschrieben.

Am unteren Rand des Bereichs „Capture Info“ finden Sie vier Buttons für die Filmabtastung:

Sind all diese Vorbereitungen getroffen, können Sie Ihre Clips auf viererlei Weise scannen:

Capture Now

Mit der „Capture Now“-Funktion (Jetzt aufzeichnen) können Sie lange Abschnitte einer Filmrolle auf einmal abtasten. Ein Klick auf „Capture now“ startet den Abtastvorgang in der Nähe des aktuellen Frames. Sobald Sie auf „Stop“ klicken, wird der Vorgang angehalten.

Wenn die Option „Enable 2 Pass HDR Scan“ aktiviert ist, klicken Sie nach begonnener Erfassung auf „Capture HDR“. Dies weist DaVinci Resolve an, dass das Ende Ihres gewünschten Clips erreicht ist und die Erfassung des High-Exposure-Passes erfolgen kann. Wenn Sie die ganze Filmrolle digitalisieren, ohne auf „Capture HDR“ zu klicken, nimmt der Abtaster den Scan mit hoher Lichtstärke automatisch vor. Er beginnt dort, wo Sie begonnen haben, bis zum Ende der Rolle.

Capture Clip

Mithilfe der Clipaufzeichnung können Sie bestimmte Abschnitte des Films kontrollierter abtasten. Definieren Sie mithilfe der Transport- und der In- und Out-Buttons zunächst einen Filmabschnitt. Wenn Sie dann auf „Capture Clip“ (Clip aufzeichnen) klicken, wird nur dieser eine Filmabschnitt abgetastet und der Abtastvorgang danach beendet.

Bei aktivierter Option „Enable 2 Pass HDR Scan“ werden für den HDR-Scan mit hoher Lichtstärke die gleichen In- und Out-Punkte wie für den ursprünglichen Scan verwendet.

Batch Clips

Hiermit können Sie noch vor dem Abtastvorgang mehrere Clips bestimmen, die Sie mit der derzeitigen Lichtquelleneinstellung im „Film Scanner“-Fenster digitalisieren möchten. Bestimmen Sie die In- und Out-Punkte der zu scannenden Filmabschnitte und klicken Sie auf „Log Clip“ (Clip loggen), um die zu scannenden Frame-Bereiche im Media Pool zu erfassen. Klicken Sie anschließend auf „Batch Clips“, werden alle ungescanneten Clips nacheinander abgetastet, bis der Vorgang abgeschlossen ist. Sie können auch einen oder mehrere ungescannete Clips auswählen, damit lediglich diese Auswahl abgetastet wird. Überdies lässt sich für eine Filmrolle auch die dazugehörige EDL laden. Die durch diese Liste geloggtten Clips können Sie anschließend abtasten.

HINWEIS Wenn Sie auf den „Log Clip“-Button klicken, verwendet der Cintel Scanner die gleichen Projekteinstellungen für alle im Batch befindlichen Clips. Er greift auf die zum Zeitpunkt der Erfassung aktuellsten Projekteinstellungen zu. Vor Beginn der Batchaufnahme werden Sie aufgefordert, die Scannereinstellungen zu bestätigen.

Wenn „Enable 2 Pass HDR Scan“ aktiviert ist, werden für den HDR-Scan bei hoher Lichtstärke die gleichen In- und Out-Punkte wie für den ursprünglichen Scan-Batch verwendet.

Weitere Informationen zu Batchaufnahmen-Workflows finden Sie im englischsprachigen DaVinci Resolve Handbuch im Kapitel „Ingesting From Tape“.

📷 Snapshot

Mit einem Schnappschuss wird ein einzelner Frame bei normaler Belichtung und den aktuellen Scannereinstellungen erfasst.

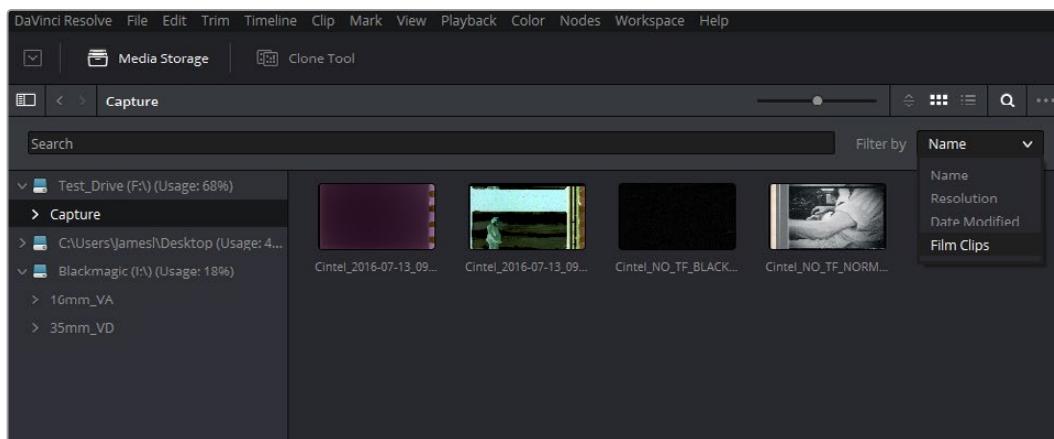
Erkennt DaVinci Resolve während des Abtastvorgangs, dass Ihre Speicherbandbreite für die Erfassung in der gewünschten Geschwindigkeit zu gering ist, passt es die Abtastgeschwindigkeit automatisch an, damit der Scan erfolgreich erfasst werden kann. Bei Verwendung eines optionalen Audio and KeyCode Readers passt sich zudem die Audioabtastfrequenz an, damit auch die gewünschte Tonqualität erhalten bleibt.

Extrahieren von Audio

Der Film, den Sie abtasten, enthält eine Lichttonspur. Diese können Sie in einem separaten Schritt extrahieren. Es gibt einen Standardversatz von Bild-Frame zu Audio-Frame. Bei 16mm-Film liegt dieser bei 26 Frames, bei 35mm-Film bei 21 Frames. Wenn Sie Ton extrahieren, fügt DaVinci Resolve beide automatisch wieder zusammen. Wählen Sie alle Clips aus, die eine Lichttonspur enthalten. Betätigen Sie die rechte Maustaste auf einem dieser Clips und wählen Sie „Extract Audio“ (Audio extrahieren). DaVinci Resolve analysiert daraufhin den entsprechenden Bereich und generiert automatisch eine passende digitale Audiospur, die mit der gescannten Bildsequenz synchron ist.

Der Ton eines jeden Clips wird automatisch extrahiert, in den Clip eingebettet und am selben Ort wie die gescannten Frames gespeichert. Ein kleines Audio-Icon erscheint in der Ecke Ihrer Clip-Miniaturansicht und zeigt Ihnen an, dass eine entsprechende Audiodatei existiert.

Um die Extraktion einfacher zu gestalten, können Sie die Clips im Medienspeicher nach Name, Auflösung, Bearbeitungsdatum oder ausschließlich nach Filmclips filtern. Die Filterfunktion vereinfacht das gezielte Finden und Auswählen von gesuchten Clips. Sie können auch eine große Auswahl treffen und Audio per Rechtsklick und Wahl von „Extract Audio“ im Menü aus mehreren Clips gleichzeitig extrahieren. Wird Audio extrahiert, zeigt ein Dialogfenster den Fortschritt an. Sie können den Vorgang jederzeit per Klick auf den „Stop“-Button anhalten.



Filtern Sie den Inhalt im Medienspeicher, um diesen einfacher zu verwalten

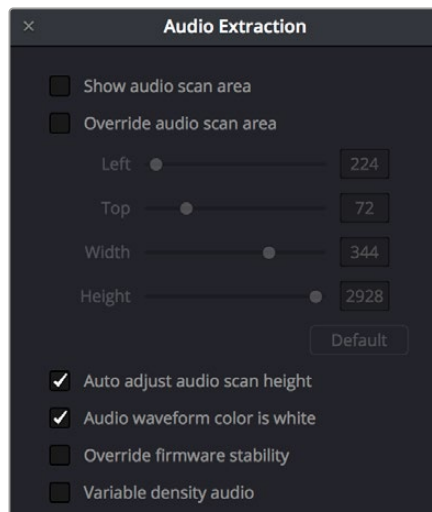
War das Kontrollkästchen „Timestamp Prefix“ im Abschnitt „Capture Info“ während des Abtastvorgangs deaktiviert und Sie möchten extrahierten Ton automatisch in Ihre Clips einbetten, extrahieren Sie das Audio aus dem Clip zuerst in den Media Pool.

Einstellungen zum Extrahieren von Audio

In der Regel wird die Lichttonspur mithilfe der automatischen Features in DaVinci Resolve perfekt extrahiert, sobald Sie den Filmtyp festgelegt haben. Die Beschaffenheit der Lichttonspur und des eingelegten Filmmaterials kann jedoch variieren, weshalb dies den automatischen Prozess in manchen Fällen beeinträchtigt. Sollte es dazu kommen, können Sie die Automatikfunktion umgehen und Anpassungen manuell vornehmen.



Öffnen Sie für manuelle Anpassungen einfach auf das Einstellungsfenster „Audio Extractions“, indem Sie in den Inspector-Optionen oben rechts im Viewer auf „Show Cintel Audio Settings“ (Cintel Audioeinstellungen anzeigen) klicken



Über die Einstellungen „Audio Extraction“ können Sie Anpassungen manuell vornehmen

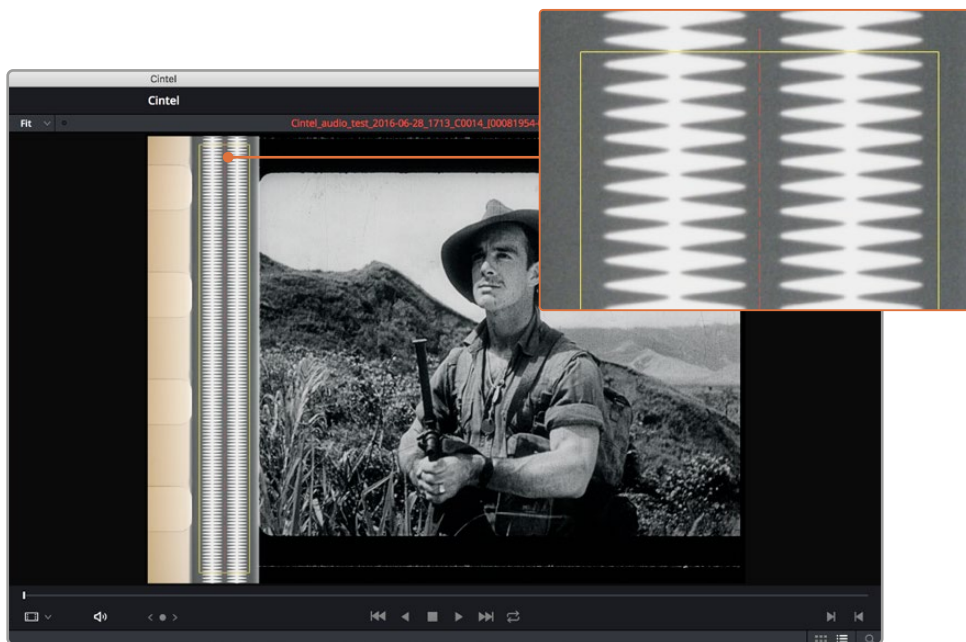
Über die Einstellungen „Audio Extraction“ können Sie folgende Anpassungen manuell vornehmen:

„Show audio scan area“

Dieses Kontrollkästchen aktiviert oder deaktiviert die Hilfslinien für den Abtastbereich von Audio. Die Hilfslinien werden in Form einer Box seitlich neben dem Frame angezeigt, der den Scanbereich der Lichttonspur abdeckt. Die Box zeigt an, welche optischen Informationen während des Extraktionsprozesses ausgelesen werden. Die Position der Hilfslinien entspricht dem von Ihnen gewählten Filmtyp. Bei Bedarf können Sie die Position jedoch auch manuell ändern. Die Hilfslinien für den Abtastbereich von Audio sind außerdem großartige Indikatoren dafür, was während des Extraktionsprozesses passiert. So können Sie auftretende Probleme identifizieren und manuelle Anpassungen vornehmen.

Innerhalb der Box befindet sich eine feine rote Linie. Diese Linie fungiert als Mittelpunktdetektor und erkennt die Trennung zwischen Stereo-Audiokanälen. Wird während der Audioextraktion Mono-Ton erkannt, erscheint der Mittelpunktdetektor und die Hilfslinien passen sich der Breite der optischen Mono-Lichttonspur automatisch an.

TIPP Sollten Sie den von Hilfslinien eingerahmten Audio-Abtastbereich genauer unter die Lupe nehmen wollen, können Sie im Viewer einzoomen und die Position der Hilfslinienbox nach oben oder unten sowie nach links und rechts verschieben. Wählen Sie den Zoomumfang in den Größeneinstellungsoptionen in der linken oberen Ecke des Viewers aus. Klicken Sie den Viewer anschließend mit Ihrer Maus oder dem Trackpad an und verschieben sie ihn.



Ist die Option „Show audio scan area“ aktiviert, werden die Hilfslinien um den Audiobereich sichtbar, damit Sie ganz genau sehen, welche Informationen genutzt werden, und den Extraktionsprozess überprüfen können

Override audio scan area

Unter diesen Einstellungen können Sie die horizontale und vertikale Position, Breite und Höhe der Hilfslinien für den Abtastbereich von Audio mithilfe von Schiebereglern anpassen.

Diese Einstellung beinhaltet:

„Left“ und „Width“

Wenn sich die Tonspur bei Ihrem Filmtyp rechts neben dem Frame befindet, können Sie die Hilfslinienbox mithilfe des „Left“-Schiebereglers nach rechts bewegen. Dies geschieht in der Regel automatisch, wenn Sie den entsprechenden Filmtyp eingestellt haben. Jedoch bietet diese Einstellung mehr Flexibilität für etwaige Anpassungen. Ähnlich wird auch die Breite des Scanbereichs mithilfe der „Width“-Einstellung justiert.

Es handelt sich hierbei um hilfreiche Werkzeuge, mit denen Sie an den Kanten der Hilfslinienbox Feinabstimmungen vornehmen können, sollten unerwünschte Elemente in der Lichttonspur des Films zugegen sein. Grund kann die Abnutzung der Perforation oder die variierende Filmqualität sein, was dann ggf. die Qualität des extrahierten Tons beeinträchtigt. Verhindern können Sie dies, indem Sie die Kanten leicht verschieben, sodass sich irrläufige Elemente außerhalb der Box befinden.

Top

Diese Einstellung justiert die vertikale Position der Box.

Height

Bei Filmrollen älteren Jahrgangs sind die Bilder manchmal etwas kleiner als normal, weil das Material mit der Zeit schrumpft. Wenn Sie die Hilfslinienbox manuell anpassen, können Sie die Justierungen für Filmschrumpfung mithilfe des Höhen-Schiebereglers „Height“ vornehmen.

Auto Adjust Audio Scan Height

Diese Einstellung ist standardmäßig aktiviert und passt die Höhe der Box automatisch der Audiowellensform am oberen Rand eines jeden Frames an. Diese Automatik eignet sich für Tonspuren in gutem Zustand. Sollte Ihnen aber auffallen, dass die Box willkürlich hin und her springt und so auf eine beeinträchtigte Extraktionsqualität hinweist, kann es sein, dass die Audiospur zwischen den einzelnen Frames überlappt. Sollte dies passieren, deaktivieren Sie das Kontrollkästchen und wiederholen Sie die Extraktion.

Wenn Sie das Kontrollkästchen „Auto adjust audio scan height“ deaktivieren, vergewissern Sie sich, dass die Höheneinstellung „Height“ die Hilfslinienbox in die für den Frame optimale Position bringt. Falls nötig können zusätzlich manuelle Anpassungen vorgenommen werden. Vergessen Sie jedoch nicht, die Automatikfunktionen hinterher wieder zu aktivieren!

Audio Waveform Color is White

Je nach Filmtyp ist die Audiowellensform schwarz oder weiß. Ist die Wellenform weiß, vergewissern Sie sich, dass das entsprechende Kontrollkästchen aktiviert ist. Damit stellen Sie sicher, dass die in der weißen Wellenform enthaltenen Informationen für die Audioextraktion verwendet werden. Ist die Wellenform schwarz und der Bereich um die Audioinformationen herum weiß, deaktivieren Sie das Kontrollkästchen, damit DaVinci Resolve weiß, dass die in der schwarzen Wellenform enthaltenen Informationen verwertet werden müssen. Auch für die anderen automatischen Funktionen wie „Mid Point“ und „Mono Detection“ muss diese Einstellung korrekt festgelegt werden.

Override Firmware Stability

In seltenen Fällen kann es aufgrund der Filmbeschaffenheit durch die interne Firmware-Stabilisierung zu großflächigen Bewegungen innerhalb eines Frames kommen. Hierbei kann es passieren, dass die Hilfslinienbox für die Audioextraktion nicht optimal auf die Lichttonspur ausgerichtet bleibt. Sollte dies der Fall sein, können Sie die Option „Override Firmware Stability“ (Firmware-Stabilisierung umgehen) aktivieren. Dann folgt die Hilfslinienbox für die Audioextraktion der Filmperforation unabhängig und richtet sie für bessere Ergebnisse entsprechend aus.

Variable density Audio

Liegt der Ton auf Ihrem Film in Form von Sprossenschrift vor, vergewissern Sie sich, dass das Kontrollkästchen „Variable density audio“ aktiviert ist, damit DaVinci Resolve weiß, welche Audioform es extrahieren soll. Die Standardeinstellung für Ton in Sprossenschrift ist „Off“ (Aus).

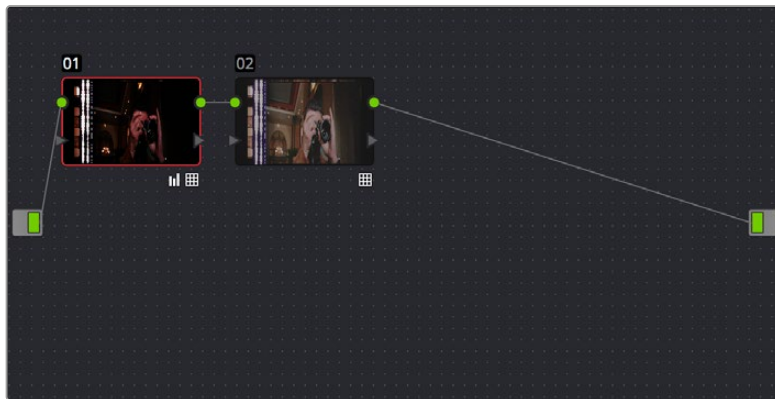
Wenn Sie zuvor noch nicht mit Lichtton in Sprossenschrift gearbeitet haben: Diese ist als Sequenz von Strichen unterschiedlicher Dicke erkennbar, die einem Barcode ähnelt. Zackenschrift hingegen erscheint als Audiowellensform.

Farbraum und Skalierung

Es stehen Ihnen zwei 1D-LUTs zur Verfügung: „Cintel negative to linear“ und „Cintel print to linear“. Diese dienen dazu, gescannte Medien für die weitere Bearbeitung in einen Farbraum zu konvertieren. Diese LUTs können Sie mithilfe eines Nodes im Arbeitsraum „Color“ anwenden, um die originalen Scans in einen linearen Farbraum zu konvertieren. Wenn Sie das Bild jedoch in Rec. 709 oder Cineon konvertieren möchten, empfiehlt es sich, eine zweite LUT in einem zweiten Node anzuwenden. Der standardmäßige Farbraum für Analogfilm ist eine Standard-Logkurve mit einem Gammawert von 2,2. Alle anderen Farbräume verwenden Log-Gamma mit einer Filmdichte von 2,046.

Generell ist es empfehlenswert, Negativfilm nach Anwendung der zweiten LUT farblich zu invertieren. Zudem ist es normalerweise nötig, die linearen Daten zu graden, um schwarze Offsets aufgrund von Dmin zu entfernen und geeignete Konvertierungen in den Zielfarbraum vornehmen zu können. Im „3D LUT“-Untermenü des Kontextmenüs eines jeden Nodes ist eine Auswahl an VFX IO LUTs verfügbar. Mithilfe dieser LUTs können Sie Bilder von einem linearen Farbraum zu einem beliebigen anderen Farbraum konvertieren.

Weitere Informationen finden Sie im englischsprachigen DaVinci Resolve Handbuch im Kapitel „Using LUTs“ im Abschnitt „Applying a LUT Within a Node“.

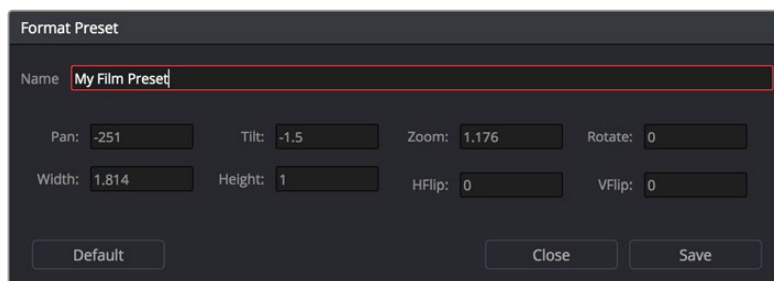


LUT-Konvertierung eines Filmscans mithilfe von drei Nodes. Node 1 konvertiert von Negativ oder Positiv zu linear, Node 2 konvertiert von linear zu Rec. 709 und Node 3 kehrt die Farbe bei Bedarf um

Durch Anwendung einer LUT innerhalb eines Nodes werden alle Bilddaten abgeschnitten, die unter 0 bzw. über 1 liegen. Um das Abschneiden zu verhindern, können Sie die Lift-, Gamma- und Gain-Einstellungen innerhalb eines beliebigen Nodes mit einer LUT ändern, um die Bildpegel vor der LUT-Transformation anzupassen.

Sowohl Format des abzutastenden Films als auch die Art, wie das Material ursprünglich aufgezeichnet wurde, beeinflussen die Kadrierung. Feinanpassungen an der finalen Kadrierung Ihres gescannten Clips können Sie per Skalierung, Zoom, Strecken, Schwenken, Neigen etc. vornehmen. Nutzen Sie im Color-Arbeitsraum auf der „Sizing“-Palette den Modus „Input Sizing“, um die gewünschte Kadrierung zu erstellen. Um Ihre Größeneinstellungen als Preset zu speichern, öffnen Sie das Menü, wählen „Save as new preset“ und geben einen Namen für das Preset ein.

Sobald Sie ein passendes Größen-Preset für einen bestimmten Medientyp erstellt haben, können Sie dieses auf mehrere Filmscans gleichzeitig anwenden. Das geschieht entweder im Color-Arbeitsraum oder im Media Pool über den Befehl „Change Input Sizing Preset“, den Sie im Kontextmenü des ausgewählten Clips finden. Weitere Informationen zur Größenbestimmung finden Sie im englischsprachigen DaVinci Resolve Handbuch im Kapitel „Sizing and Image Stabilization“.

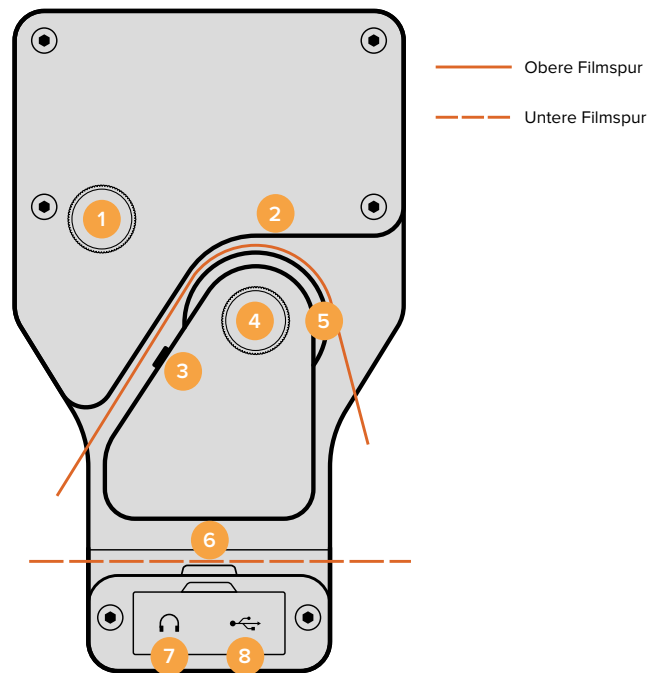


Erstellen eines Skalierungs-Presets auf der „Sizing“-Palette im Arbeitsraum „Color“

Optionaler Audio and KeyKode Reader

Der optionale Audio and KeyKode Reader erweitert Ihren Cintel Scanner um die Möglichkeit, optische und magnetische Tonspuren von 35mm- und 16mm-Film zu scannen. Tonspuren können in verschiedenen Geschwindigkeiten von langsamer bis schneller als Echtzeit erfasst werden. Gleichzeitig lassen sich KeyKode-Informationen zur Position eines bestimmten Frames auf der Filmrolle und der Typ des vorliegenden Analogmaterials einscannen.

Der Reader verfügt über die folgenden Elemente:



1. Drehregler fürs Lichtton-Tracking 2. Magnetischer Tonkopf 3. Lichttonabtaster
4. Reinigungswalze für Capstanwelle 5. Capstanwelle
6. KeyKode-Abtaster 7. Kopfhörerbuchse 8. USB-Port für Firmware

Wird Film durch den oberen Teil des Readers gefädelt, können Licht- und Magnettonspuren von Ihrem Filmmaterial gelesen werden.

Wird Film durch den unteren Teil des Readers gefädelt, werden KeyKode-Informationen erfasst. KeyKode-Daten befinden sich nahe des Perforationsbereichs von Negativfilm und enthalten in der Regel Informationen zur genauen Position des Frames auf der Filmrolle, zur Filmrolle selbst sowie zur Art des Filmmaterials. Die abgetasteten Informationen werden als Metadaten zusammen mit jedem einzelnen Cintel Raw Frame gespeichert.

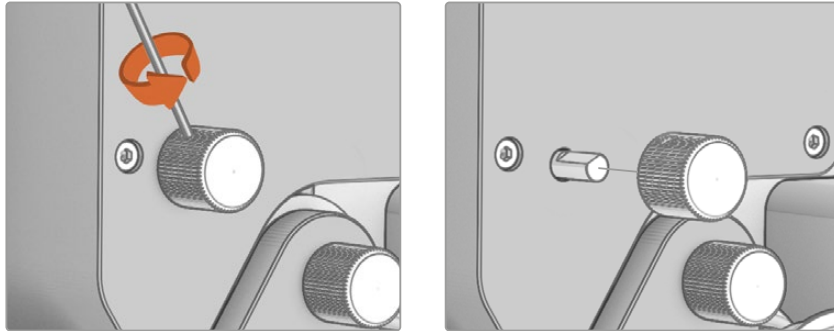
TIPP Ihr Cintel Scanner kann weiterhin auch ohne einen installierten Audio and KeyKode Reader Lichttoninformationen abtasten. Verwenden Sie hierfür die Audioextraktionsfunktion im „Film Scanner“-Fenster in DaVinci Resolve, nachdem Sie den Film gescannt haben. Weitere Informationen zum Extrahieren von Lichtton finden Sie im Abschnitt „Extrahieren von Audio“ in diesem Handbuch.

Anbringen des Audio and KeyCode Readers

Der Reader wird über die linke optionale Schnittstelle Ihres Scanners mit Strom versorgt. Bei der Schnittstelle handelt es sich um den 6-poligen XLR-Zubehöranschluss unterhalb der Abwickelspule.

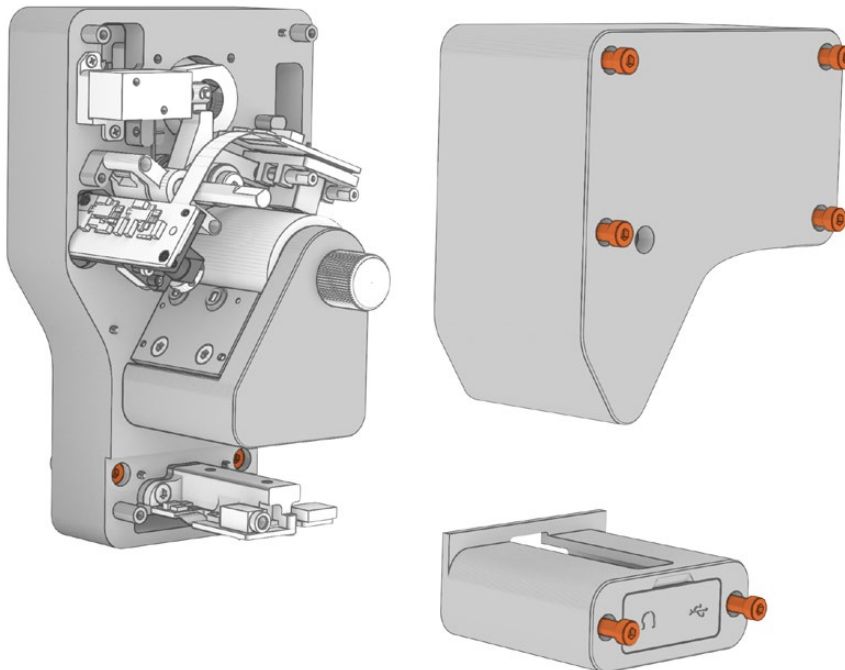
So bringen Sie den optionalen Audio and KeyCode Reader an Ihren Cintel Scanner an:

- 1 Vergewissern Sie sich zunächst, dass der Cintel Scanner vom Stromnetz getrennt ist.
- 2 Am oberen Anpassungsregler ist an einer Seite eine kleine Sicherungsschraube eingelassen. Lösen Sie diese Schraube mithilfe eines 1,5mm-Inbusschlüssels und ziehen Sie den Reglerknopf von der Spule. Auf diese Weise lässt sich die obere Abdeckung des Readers entfernen.



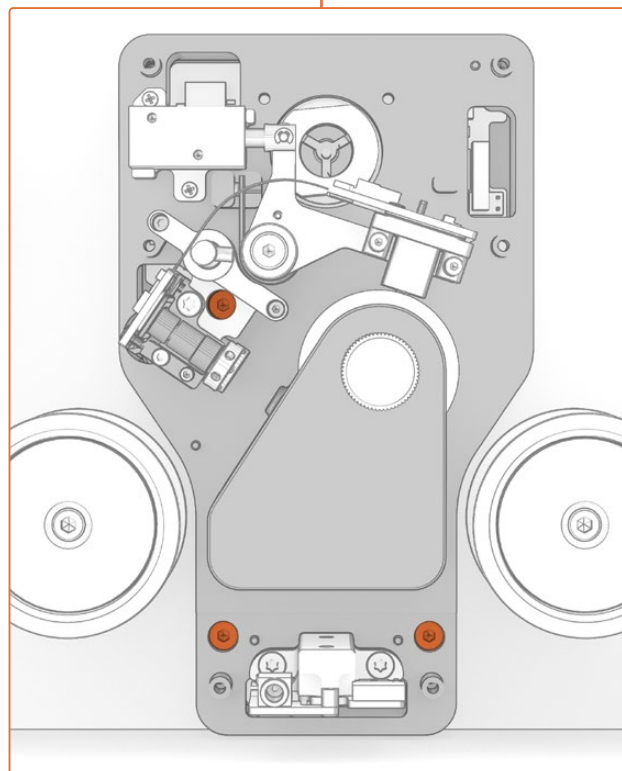
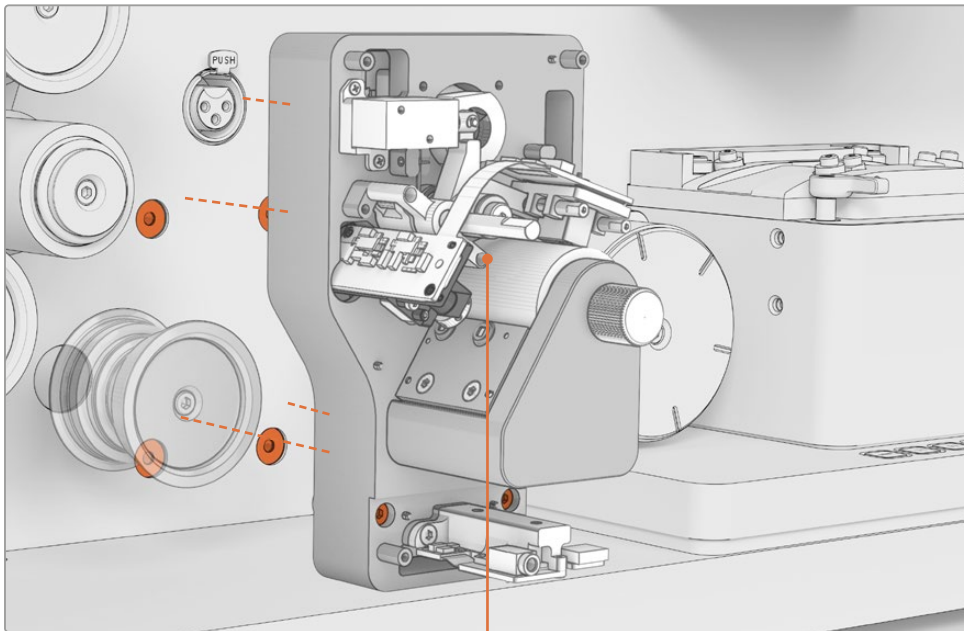
Lösen Sie die Sicherungsschraube mithilfe eines 1,5mm-Inbusschlüssels und ziehen Sie den Reglerknopf von der Spule

- 3 Entfernen Sie die obere und untere Abdeckung vom Audio and KeyCode Reader, indem Sie die sechs M3-Schrauben mithilfe eines 2,5mm-Inbusschlüssels lösen. Die Schrauben sind unverlierbar und verbleiben daher am Reader. Durch Entfernen der Abdeckungen bekommen Sie Zugriff auf die unverlierbaren Schrauben, die Sie für die Befestigung des Readers an Ihrem Cintel Scanner benötigen.



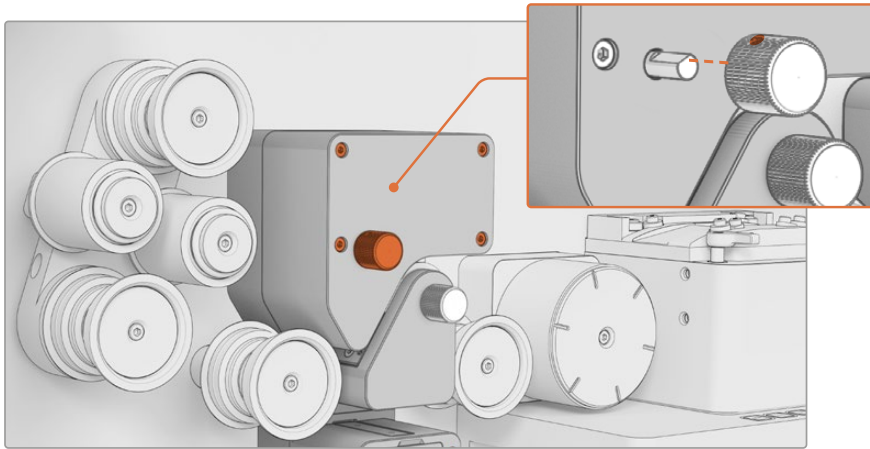
Entfernen Sie die obere und untere Abdeckung vom Reader, indem Sie die sechs M3-Schrauben entfernen. Da es sich um unverlierbare Schrauben handelt, müssen Sie sie nur geringfügig lösen, bis sie den Kontakt zum Gewinde verlieren. Siehe Bild oben.

- 4 Entfernen Sie die vier M4-Verschlussschrauben Ihres Cintel Scanners mithilfe eines 2mm-Inbusschlüssels. Zu entfernen sind die obere linke Schraube sowie die unteren beiden Schrauben unterhalb des XLR-Anschlusses der linken optionalen Schnittstelle.
- 5 Installieren Sie den Reader an Ihrem Scanner, indem sie den XLR-Stecker des Readers in die XLR-Buchse der optionalen Schnittstelle des Cintel Scanners stecken.
- 6 Befestigen Sie den Audio and KeyKode Reader mithilfe der drei unverlierbaren M3-Schrauben an Ihrem Scanner. Vergewissern Sie sich, dass der Reader flach am Scanner anliegt, bevor Sie die Schrauben festziehen.



Stecken Sie den Reader in den XLR-Verbinder der linken Optionsschnittstelle Ihres Cintel Scanners und ziehen Sie die drei unverlierbaren M3-Schrauben fest

- 7 Setzen Sie die Abdeckungen des Audio and KeyCode Readers wieder auf und ziehen Sie die Verschlusschrauben fest. Stecken Sie den oberen Reglerknopf wieder auf die Spindel und ziehen Sie die Sicherungsschraube an der flachen Seite der Spindel leicht an.



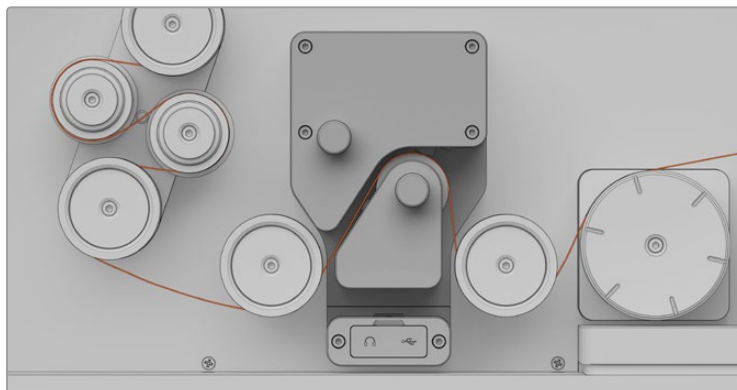
Befestigen Sie die Abdeckungen des Readers mithilfe der sechs unverlierbaren Schrauben. Stecken Sie den Reglerknopf auf und ziehen Sie die Schraube an der flachen Seite der Spindel fest

Abtasten von Audio

Ist ein Audio and KeyCode Reader installiert, kann Ihr Cintel Scanner Lichttoninformationen von 35mm- und 16mm-Film sowie Magnettoninformationen von 16mm-Film erfassen.

Film einfädeln

Um Audioinformationen aufzeichnen zu können, muss zunächst Film durch den Audiopfad des Readers eingefädelt werden. Der korrekte Einfädelungspfad ist unten abgebildet.



Fädeln Sie den Film durch den oberen Teil des Audio and KeyCode Readers, um Ton abzutasten

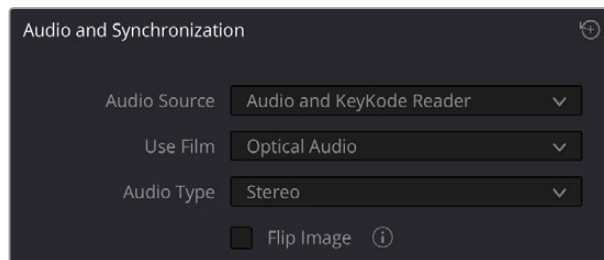
HINWEIS Achten Sie besonders beim Abtasten von Lichtton auf die Positionierung der 16mm- und 35mm-Abtast-LEDs. Bei 35mm-Film befinden diese sich näher am Cintel Gehäuse, bei 16mm-Film jedoch weiter davon weg.

TIPP Wird Film durch den Audiopfad des Readers gefädelt, zeichnet DaVinci Resolve den Ton automatisch auf und fügt ihn den Clips hinzu. Wird Film hingegen durch den unteren Pfad gefädelt, wird kein Ton aufgezeichnet.

Einstellen des Readers zum Audioabtasten

Ist der Film eingefädelt, öffnen Sie das „Film Scanner“-Fenster in DaVinci Resolve und geben Sie die Einstellungen zu „Use Film“ und „Audio Type“ im Zubehörfenster des Readers vor. Ihre Auswahl im Menü „Audio Source“ bedingt die verfügbaren Optionen in den Menüs „Use Film“ und „Audio Type“.

In den Einstellungen legen Sie fest, welche Funktion Ihr Reader ausführen soll. Geben Sie bspw. vor, dass der Reader KeyCode-Informationen abtasten soll und stellen Sie den Audiotyp – also Licht- oder Magnetton – ein.



Über das Fenster „Audio and KeyCode Reader“ im „Film Scanner“-Fenster in DaVinci Resolve können Sie für die Option „Use Film“ KeyCode oder Audioabtastung vorgeben

TIPP Die verfügbaren Optionen ändern sich, je nachdem welche Art von Film geladen wurde. Beispiel: Ist 16mm-Film als Filmtyp im „Film Scanner“-Fenster in DaVinci Resolve vorgegeben, ist Magnetton verfügbar.

Audio Source

Wählen Sie die Audioquelle zu den Bildern, die Sie abtasten.

None

Keine Audiospur. Optionen „Use Film“ und „Audio Type“ sind nicht verfügbar.

Audio and KeyCode Reader

Optische oder magnetische Audiosignale aus dem Film mithilfe des Audio und KeyCode Readers lesen.

External Audio

Analogaudio- oder digitale AES/EBU-Audiosignale über die externen XLR-Audiobuchsen empfangen.

Use Film

Bestimmen Sie über diese Einstellung, ob Ihr Reader KeyCode oder Audio auslesen soll. Weitere Informationen zum Auslesen von KeyCode-Daten finden Sie im Abschnitt „Auslesen von KeyCode“.

Folgende Einstellungen sind für den Audio-Reader verfügbar:

Optical Audio

Wählen Sie diese Einstellung, wenn Sie Audio von einer Lichttonspur abtasten möchten.

Ob es sich um eine Lichttonspur handelt, finden Sie heraus, wenn Sie sich den Film einmal genauer ansehen. Wenn Sie bei 35mm- oder 16mm-Film eine durchgehende Wellenform oder eine lange, dicht aneinandergereihte Abfolge von Streifen auf einer Seite des Films sehen, handelt es sich um eine optische Tonspur, also eine Lichttonspur.

Optical Audio Narrow Track

Beim Abtasten von Lichtton kann es sein, dass die optische Tonspur des Films durch altersbedingte Schrumpfung und Unregelmäßigkeiten bei der Filmentwicklung kleiner ist als der Bereich, der von Ihrem Audio and KeyCode Reader gescannt wird. Dabei kann es passieren, dass der Audio-Reader neben der Tonspur gelegene Perforations- oder Bilddaten scannt, was zu Interferenzen im Ton führen kann. Ist dies der Fall, kann das Anpassen des Tracking-Reglers die Tonqualität verbessern. Sollte dieser Versuch jedoch ergebnislos bleiben und die Tonspur weiterhin Probleme bereiten, haben Sie die Möglichkeit, im „Use Film“-Menü die Option „Optical Audio Narrow Track“ für eine schmale Lichttonspur zu wählen. Dies verkleinert den Abtastbereich Ihres Readers um ungefähr 20 % und maskiert unerwünschte Bereiche um die Tonspur herum aus. Das verbessert die Qualität des Audioscans.

Weitere Informationen zur Tracking-Funktion Ihres Audio-Readers finden Sie im Abschnitt „Tracking“ an späterer Stelle in diesem Kapitel.

Magnetic Audio

Wenn Sie die Magnettonspur von 16mm-Film abtasten möchten, wählen Sie in der „Use Film“-Einstellung die Option „Magnetic Audio“.

Die magnetische Tonspur von 16mm-Film erkennen Sie am schwarzen Streifen neben den Einzelbildern. Dieser schwarze Streifen erscheint auf der beschichteten Seite des Films kupferfarben.

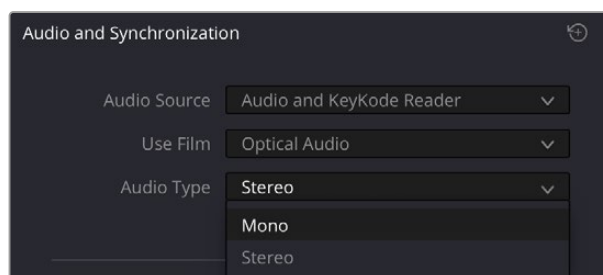
HINWEIS Beim Abtasten von Magnetton empfehlen wir, die Abtastgeschwindigkeit auf 24 fps einzustellen. Das sorgt für eine angemessene Entzerrung. Bei Abtastvorgängen mit anderen Geschwindigkeiten müssen ggf. Tonhöhenanpassungen vorgenommen werden.

Audio Type

Wählen Sie erst die passende „Use Film“-Option aus und geben Sie dann über das Menü „Audio Type“ den Audiotyp vor.

Audio in „Stereo“ oder „Mono“

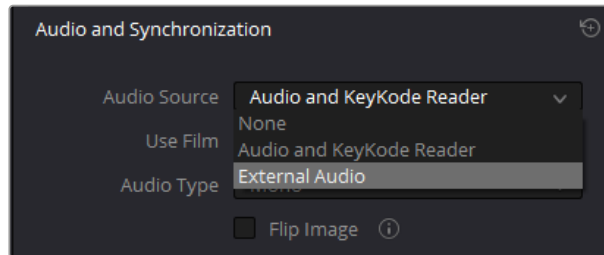
Ob Lichtton in Stereo oder Mono vorliegt, finden Sie ganz leicht heraus: Wenn Sie zwei Wellenformen nebeneinander sehen, enthält Ihr Film eine Stereo-Tonspur. Ist nur eine Wellenform oder eine Lichttonspur in Sprossenschrift zu sehen, verfügt Ihr Film über eine Mono-Tonspur. Magnetton ist immer mono.



Wählen Sie „Stereo“ oder „Mono“, je nachdem, welchen Audiotyp Ihr Film enthält

External Audio

Wählen Sie aus dem Drop-down-Menü „Audio Source“ die Option „External Audio“.



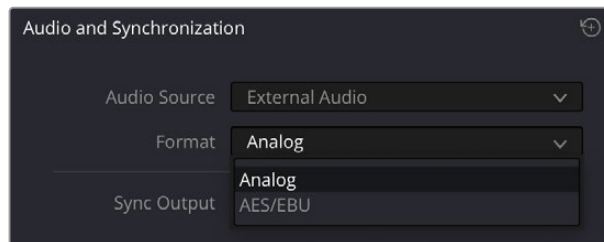
Ist die Option „External Audio“ ausgewählt, dann unterstützen die XLR-Audioeingänge an der Längsseitenabdeckung des Cintel Scanners Analogaudio- oder digitale AES/EBU-Audiosignale. Wählen Sie aus dem Menü „Format“ die passende Option:

Analog

Wählen Sie diese Einstellung für symmetrisches Analogaudio.

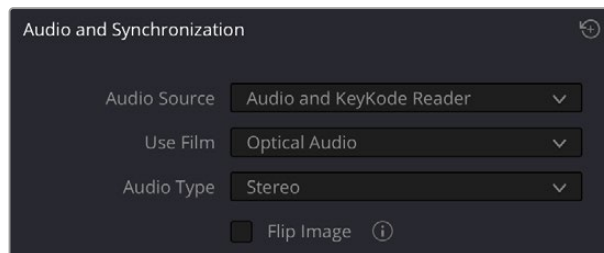
AES/EBU

Verwenden Sie diese Option für AES/EBU- bzw. AES3-Audio.



Flip Image

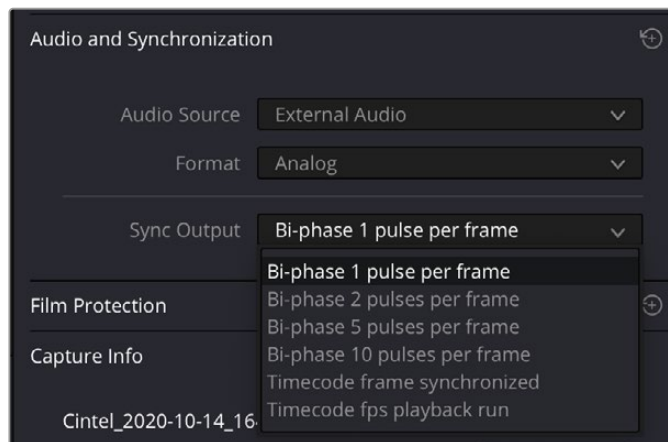
Ist das Bild beim Scannen von Ton von Negativfilm seitenverkehrt, aktivieren Sie das Kontrollkästchen „Flip Image“.



Aktivieren Sie die Option „Flip Image“, um den Frame zu spiegeln

Sync Output

Ist Ihr Scanner über einen der seitlichen XLR-Ports mit einem zu synchronisierenden externen Gerät verbunden, geben Sie über das Menü „Sync Output“ die Synchronisationsnorm vor.



Ausgabeoptionen für Bi-phase-Audio und Timecode im „Sync Output“-Menü

„Bi-phase“ gibt zwei unsymmetrische Quadratsignale auf dem normgemäßen differenziellen Audio-XLR3-Leiterpaar aus, sodass Richtung und Frequenz in dem von Ihnen ausgewählten Takt abgetastet werden können. „Timecode frame synchronized“ gibt einen einzelnen Timecodewert für jedes transportierte Einzelbild aus. „Timecode fps playback run“ gibt Timecodes in einem fixierten Takt aus, der von der Film-Framerate Ihres Projekts bestimmt wird. Die Spannungsausgabe wechselt automatisch zwischen 4,5 V für die Zweiphasen- und 1,5 V für Timecode-Auswahlen.

HINWEIS Timecode-Ausgaben werden für Frameraten von 24, 25 und 30 fps unterstützt, Free Run oder frameweise. Für andere Frameraten ist keine Timecode-Ausgabe verfügbar.

Abtastgeschwindigkeit

Ist der Audio and KeyCode Reader installiert und für die Audioabtastung konfiguriert, kann Ihr Cintel Scanner mit einer maximalen Geschwindigkeit von 125 % der Ziel-Framerate des Films scannen. Hier ein Beispiel: Wenn Sie Film mit einer beabsichtigten Wiedergabe-Framerate von 24 fps scannen, liegt die maximale Abtastgeschwindigkeit Ihres Scanners bei 30 fps. Das gewährleistet eine Abtastrate von 48 kHz.

Tracking

Die Positionierung von optischen Tonspuren kann von Positivfilm zu Positivfilm variieren. Daher ist es wichtig sicherzustellen, dass der Reader den korrekten Bereich des Films abtastet. Die Tracking-Funktion des Audio-Readers lässt Sie Feinabstimmungen zur Positionierung des Abtastkopfes für Lichtton vornehmen, damit Sie das bestmögliche Ergebnis erzielen können.

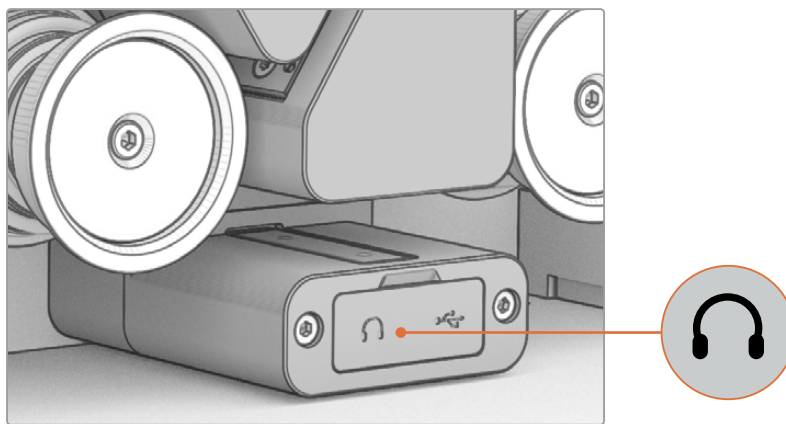
So nutzen Sie die Tracking-Funktion:

- 1 Schließen Sie ein Paar Kopfhörer oder einen Audioanalysator an die 3,5mm-Klinkenbuchse Ihres Readers an. Zugriff auf die Buchse bekommen Sie, indem Sie die Gummiabdeckung öffnen.
- 2 Spulen Sie mithilfe der Transportsteuerelemente zu einem Abschnitt des Films, der Ton enthält, und setzen Sie die Kopfhörer auf oder schließen Sie den Audioanalysator an.

- 3 Drehen Sie den Tracking-Regler im oder gegen den Uhrzeigersinn, während Sie den Ton hören oder analysieren. Der Tracking-Regler befindet sich im oberen Bereich Ihres Readers. Je nachdem in welche Richtung Sie den Tracking-Regler drehen, bewegt sich der Abtastkopf auf die Kante des Films zu oder von ihr weg. Auf diese Weise können Sie seine Position über der Tonspur justieren. Beim Anpassen des Tracking-Reglers wird Ihnen außerdem eine Veränderung der Lautheit und Klarheit des Tons auffallen. Ein Audioanalysator funktioniert auf dieselbe Weise, jedoch präziser.

Nehmen Sie bei Stereospuren so lange Anpassungen vor, bis Sie die optimale Position gefunden haben und beide Kanäle gleich stark und klar und ohne Verzerrung zu hören sind.

Bei Mono-Ton ist es hilfreich, den Audiotyp zur Tracking-Anpassung auf Stereo einzustellen. Hierbei können Sie den linken und rechten Stereokanal dafür nutzen, die Spur zu zentrieren. Das gewährleistet, dass die Monospur in der bestmöglichen Qualität abgetastet wird. Vergessen Sie jedoch nicht, den Audiotyp nach der Anpassung wieder auf mono zurückzusetzen.

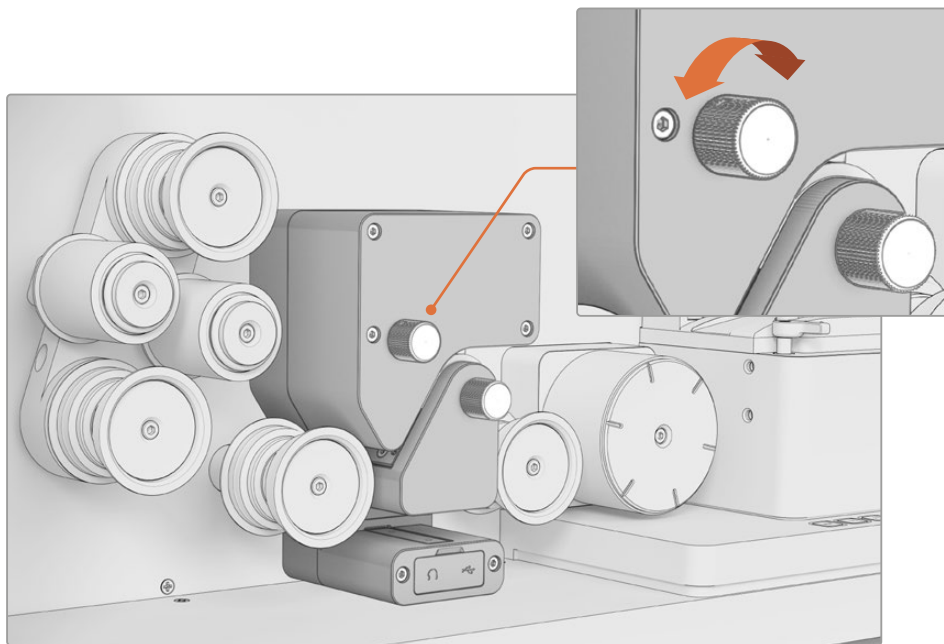


Die Kopfhörerbuchse des Audio and KeyCode Readers befindet sich hinter der Gummiabdeckung unten am Reader

Audiovorschau über HDMI und die Kopfhörerbuchse

Filmtonspuren werden immer mehrere Frames vor dem dazugehörigen Einzelbild abgedruckt. Aus diesem Grund gibt der Cintel Scanner den Ton verzögert aus, damit er mit dem über HDMI ausgegebenen Bild und dem gescannten Clip synchronisiert wird.

Die Kopfhörerbuchse gibt Ton direkt von der Spur in Echtzeit und unsynchronisiert aus. Wenn Sie also Tracking-Anpassungen vornehmen, können Sie den Unterschied sofort und ohne Verzögerung hören.



Durch Drehen des Tracking-Reglers wird die Positionierung des Tonkopfs angepasst und die Qualität des gescannten Lichttons verbessert

Bei der Erfassung von Lichtton dimmt der Reader seine LEDs, wenn sich die Filmrollen des Readers nicht bewegen. Der Reader passt sich dem Status Ihres Scanners an. Versetzt sich der Scanner demnach in den Ruhezustand, tut es ihm der Reader gleich.

Tracking bei magnetischem Audio

Der magnetische Tonkopf des Audio and KeyCode Readers ist werksseitig vorkonfiguriert und sollte keiner Anpassung bedürfen. Geringe Überlappungen führen bei magnetischen Tonspuren in der Regel nicht zu Verzerrungen, da Bandbereiche neben der Spur keine magnetischen Informationen tragen. Des Weiteren kommt es bei der Herstellung von Druckfilm mit magnetischen Tonspuren seltener zu Variationen. Der Magnetkopf des Readers ist zudem geringfügig überdimensioniert, um Ausrichtungsfehler besser auszugleichen.

Erweitertes Tracking

Zusätzlich zu den hier aufgeführten Tracking-Anpassungen unterstützt der Reader:

- Azimut- und Tracking-Anpassungen für Magnetton
- Azimutanpassungen für Lichtton
- Fokusanpassungen für Lichtton

Für die meisten Nutzer werden diese Anpassungen jedoch unnötig sein. Sollten Sie weitere Informationen zu diesen erweiterten Anpassungen benötigen, kontaktieren Sie Ihr Support Center unter www.blackmagicdesign.com/de/support

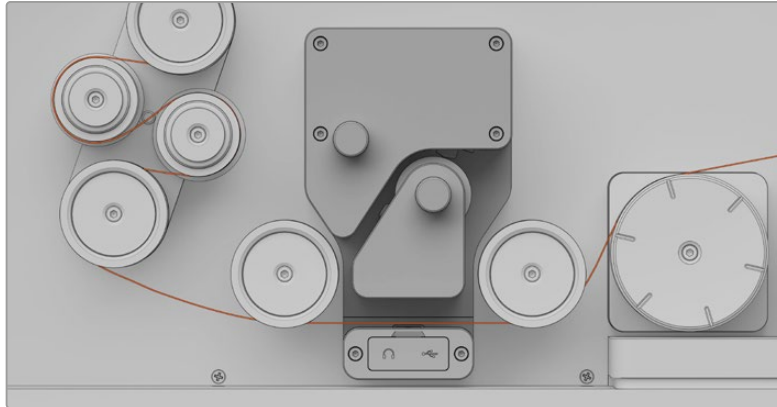
Vorbereiten des Abtastvorgangs

Sobald Sie den Audiotyp ausgewählt und die Tracking-Anpassungen vorgenommen haben, können Sie den Abtastvorgang starten. Näheres siehe Abschnitt „Einen oder mehrere Filmabschnitte abtasten“.

Bitte beachten Sie, dass DaVinci Resolve mit der Aufzeichnung einer Datei erst beginnt, wenn es synchronisierte Audio- und Videoinformationen vom Scanner empfängt. Da Audioinformationen immer einige Einzelbilder vor dem dazugehörigen Frame abgedruckt sind, kann ab dem Erreichen der Abtastgeschwindigkeit des Scanners bis zu dem Moment, in dem man das abgetastete Bild auf dem Bildschirm sieht, bis zu eine Sekunde vergehen.

Auslesen von KeyKode

Sollen KeyKode-Daten ausgelesen werden, sollte der Film genauso eingefädelt werden wie wenn kein Reader installiert ist. Der Film wird somit auf dem Weg von den Umlenkrollen zur Führungsplatte automatisch durch den KeyKode-Leser geführt. Der korrekte Einfädungspfad ist unten abgebildet.

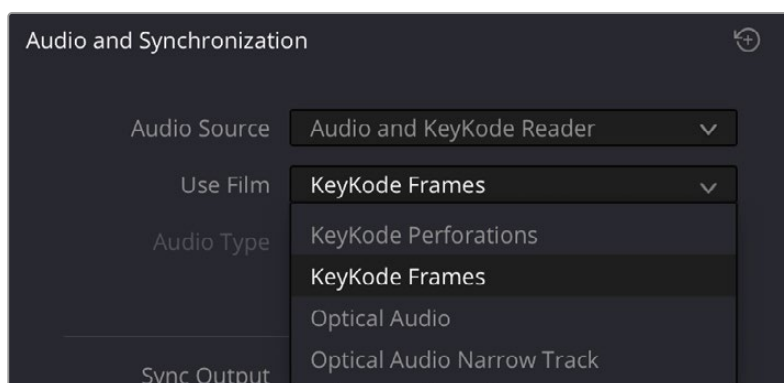


Fädeln Sie den Film durch den unteren Teil des Audio and KeyKode Readers, um KeyKode-Daten zu scannen

HINWEIS Achten Sie beim Abtasten von KeyKode-Informationen darauf, dass der KeyKode-Bereich des Films über die Abtast-LED geführt wird.

Einstellen des Readers zum Abtasten von KeyKode

Sobald Film eingefädelt und durch den KeyKode-Reader geführt wurde, muss der Cintel Scanner so konfiguriert werden, dass er KeyKode liest. Gehen Sie hierfür in DaVinci Resolve zum „Film Scanner“-Fenster und wählen Sie im Drop-down-Menü neben „Use Film“ die Optionen „KeyKode Perforations“ oder „KeyKode Frames“. Wenn Sie eine DPX-Datei exportieren, werden KeyKode-Informationen entsprechend der Frames bzw. Lochung repräsentiert.



Wählen Sie im Menü „Use Film“ die Option „KeyKode Perforations“ oder „KeyKode Frames“, um KeyKode-Daten von Negativfilm zu scannen

Use Film

Bestimmen Sie über diese Einstellung, ob Ihr Reader KeyKode oder Audio auslesen soll. Informationen zum Auslesen von Audio finden Sie im Abschnitt „Einstellen des Readers zum Audioabtasten“.

Folgende Einstellungen sind für den KeyKode-Reader verfügbar:

KeyKode Perforations

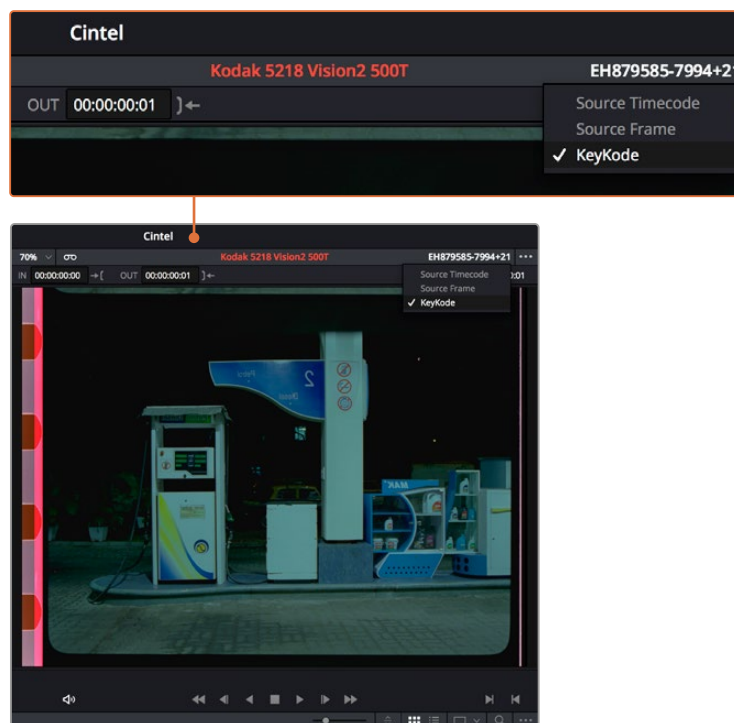
Wählen Sie „KeyKode Perforations“, um gemäß der Lochung abzutasten.

KeyKode Frames

Wählen Sie bei Verarbeitung eines beliebigen Filmtyps „KeyKode Frames“, um einzelbildgenauen KeyKode abzutasten.

Der Reader tastet nun alle auf dem Film enthaltenen KeyKode-Informationen ab und speichert diese im jeweiligen Clip als Metadaten ab. Zusätzlich werden die KeyKode-Metadaten oben im Viewer des „Film Scanner“-Fensters in DaVinci Resolve angezeigt.

Um die Informationen einzusehen, klicken Sie einfach auf das Viewer-Optionen-Icon in der rechten oberen Ecke des Viewers und wählen Sie „KeyKode“ aus dem Menü.



Klicken Sie auf die Viewer-Optionen in der rechten oberen Ecke und wählen Sie im Menü „KeyKode“ aus, um KeyKode-Daten im Viewer anzuzeigen

KeyKode-Informationen werden meist dann ausgelesen, wenn sie – wie im nächsten Abschnitt beschrieben – in DPX-Digital-Intermediates einbezogen werden sollen. Diese Metadaten sind jedoch wie alle anderen Metadaten auch für die Verwendung in den Edit- und Color-Arbeitsräumen in DaVinci Resolve verfügbar.

Transkodierung zu DPX inklusive KeyKode-Metadaten

Bei Bedarf können Sie DaVinci Resolve so einstellen, dass es Ihre Scans ins DPX-Dateiformat transkodiert. Dieses Format enthält alle KeyKode-Metadaten.

So transkodieren Sie Ihre Scans ins DPX-Format:

- 1 Gehen Sie zur Menüleiste am oberen Bildschirmrand und klicken Sie auf „File“ (Datei). Wählen Sie anschließend „Media Management“.
- 2 Klicken Sie im „Media Management“-Fenster auf das Clips-Icon, um alle Clips einzeln zu transkodieren und wählen Sie „Transcode“.

- 3 Legen Sie den Speicherort fest, indem Sie zum gewünschten Ordner navigieren, und klicken Sie auf OK.
- 4 Aktivieren Sie das Optionsfeld „Transcode All Media“, um alle Medien in Ihrer Timeline zu transkodieren.
- 5 Stellen Sie das Videoformat in den Videoeinstellungen auf „DPX“ und wählen Sie die gewünschte Codec-Einstellung.
- 6 Die Auflösung passt sich Ihrer Timeline-Auflösung automatisch an. Sie haben jedoch die Möglichkeit, diese Einstellung zu ändern, sollten Sie in eine andere Auflösung transkodieren wollen. Bspw. kann vorgegeben werden, dass sie der Quellauflösung Ihrer Clips entspricht, indem das Kontrollkästchen „Render at Source Resolution“ (In Quellauflösung rendern) angeklickt wird.
- 7 Wählen Sie in den Audioeinstellungen die Anzahl der Audiokanäle, die Sie in die DPX-Dateien mit einbeziehen wollen. Oder entscheiden Sie sich für die Option „Same as Source“, um den Ton der Quellclips zu übernehmen. Legen Sie außerdem die gewünschte Bittiefe für den Ton fest.

Die DaVinci Icons am unteren Rand des Fensters geben Aufschluss über die derzeitige Größe Ihrer Medien sowie die Größe der Dateien nach der Transkodierung in DPX-Dateien.
- 8 Klicken Sie auf „Start“.

Nun werden alle Clips in Ihrer Timeline in DPX-Dateien mit eingebettetem KeyKode transkodiert. Weitere Informationen zur Transkodierung Ihrer Cintel Raw Dateien in andere Formate finden Sie im Abschnitt „Media Management“ im englischsprachigen DaVinci Resolve Handbuch.

Sie können Ihre Cintel Raw Dateien auch als DPX-Dateien mit eingebettetem KeyKode rendern. Gehen Sie hierfür in den Deliver-Arbeitsraum in DaVinci Resolve und exportieren Sie Ihre Dateien im DPX-Format. Vergewissern Sie sich, dass Sie in den Rendereinstellungen die Option „Individual Source Clips“ (Individuelle Quellclips) vorgeben, damit die einzelnen Dateien separat exportiert werden.

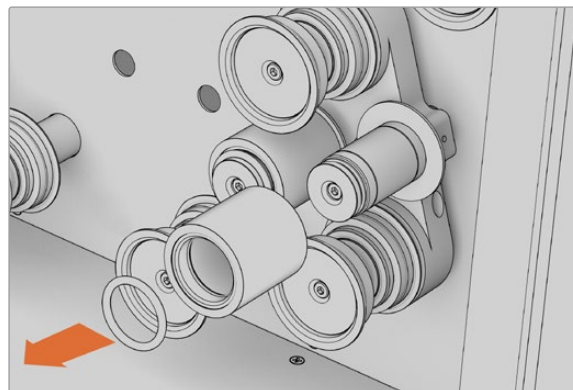
Wartung

Für eine optimale Abtastqualität ist es wichtig, den Cintel Scanner sauber und staubfrei zu halten. Das ist einfach: Säubern Sie regelmäßig die Reinigungswalzen und verwenden Sie einen Druckluftzerstäuber, um die übrigen Kontaktflächen des Scanners zu reinigen, einschließlich Hartgummirollen, Transportwellen und Führungsplatte.

Säubern der Reinigungswalzen

Die Reinigungswalzen sollten nach jedem Scan-Durchlauf gesäubert werden. Entfernen Sie hierfür einfach den O-förmigen Ring am vorderen Ende der Spindel und ziehen Sie die Walze ab. Reinigen Sie die Walzen mit warmem Wasser und haushaltsüblichem Geschirrspülmittel. Anschließend sollten sie an der Luft getrocknet werden. Wir raten davon ab, die Walzen mit einem Tuch oder Gebläse zu trocknen, weil sich dadurch neue Partikel festsetzen können. Zudem können sie sich durch die Hitze deformieren. Sobald die Walzen trocken sind, können sie zurück auf die Spindel geschoben und mit dem O-Ring fixiert werden. Und schon sind sie wieder einsatzbereit.

Sollten die Reinigungswalzen mit der Zeit schwer zu entfernen oder wieder anzubringen sein, schafft das Auftragen einer dünnen Schicht Silikonfett innerhalb des O-Rings Abhilfe. Dies sorgt für einen Schmiereffekt und die Walzen sind für die Reinigung leichter zu entfernen.



Entfernen Sie zur Reinigung den O-förmigen Ring am vorderen Ende der PTR-Spindel und ziehen Sie die Walze ab

Sollten Sie feststellen, dass die klebrige Beschaffenheit der Reinigungswalzen nach dem Säubern nachlässt oder sie aufgrund von Alter und/oder Abnutzung nicht mehr so leicht abzunehmen und wieder anzubringen sind, können Sie über die Blackmagic Design Website unter www.blackmagicdesign.com/de neue erwerben.

Säubern der Capstanwellen

Reinigen Sie die Capstanwellen ganz nach Bedarf, idealerweise vor dem Abtasten jeder neuen Filmspule. Trocknen Sie die Capstanwellen vor Verwendung an der Luft.

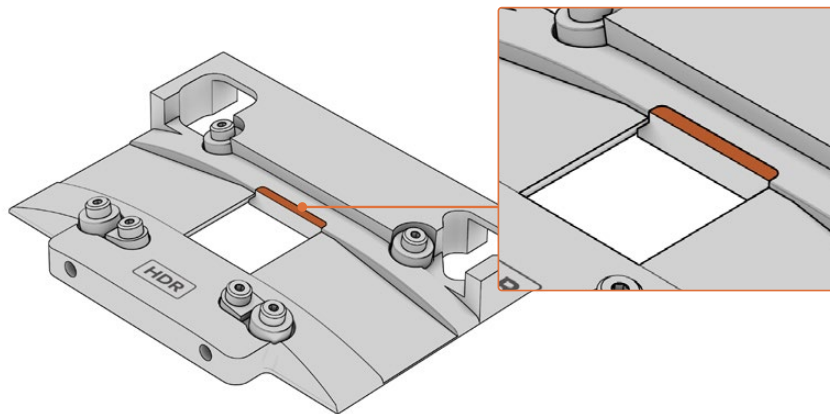
HINWEIS Gehen Sie besonders vorsichtig vor, um Schäden an der Elektronik in Nähe der Capstanwellen durch Flüssigkeiten zu vermeiden. Verwenden Sie ganz wenig Wasser auf einem fusselfreien Tuch. Benutzen Sie keine Lösungs- oder Sprühmittel zum Reinigen der Capstanwellen.

Entfernen von Staub

Ihr Scanner sollte täglich von Staub befreit werden. Verwenden Sie einfach einen Druckluftzerstäuber, um Staubpartikel vom Bildfenster, den Transportwellen und allen anderen Kontaktflächen des Scanners zu entfernen. Das beste Ergebnis erzielen Sie, wenn Sie das Bildfenster vorher entfernen.

Achten Sie bei der Staubentfernung besonders auf das kleine Kunststofffüllelement des Bildfensters. Staubansammlungen in diesem Bereich können die Stabilisierung beeinträchtigen. Reinigen Sie dieses Element darum von Zeit zu Zeit mit einem feuchten Tuch.

Benutzen Sie zum Entstauben des optionalen 8mm-Bildfensters für die Auflageflächen und Kadageverschlüsse einen Druckluftzerstäuber oder ein fusselfreies Tuch. Auch die Aussparungen der Auflageflächen sollten gelegentlich gereinigt werden, damit sich dort kein Staub ansammelt.



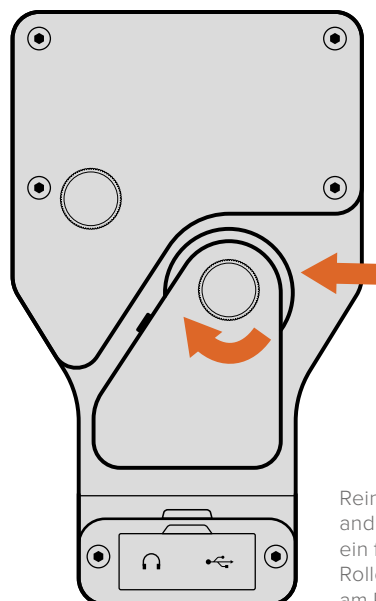
Achten Sie beim Entstauben besonders auf das Füllelement

Hin und wieder ist es ratsam, die Linse über der RGB-Lichtquelle zu säubern. Tun Sie dies mit einem sauberen Tuch und einer geringen Menge Isopropanol.

Sowohl Druckluftzerstäuber als auch Isopropanol sind in den meisten Elektrogeschäften erhältlich.

Säubern der Audio and KeyCode Reader Rollen

Der Audio and KeyCode Reader verfügt über eine Gummirolle. Diese dient zum Einfädeln von Film durch seine obere Spur. Diese Rolle sollte von Zeit zu Zeit mit einem feuchten Tuch gereinigt werden. Entfernen Sie hierfür lediglich den durch die obere Spur eingefädelten Film und halten Sie ein feuchtes Tuch an die Rolle, während Sie am Rollenknopf drehen. So entfernen Sie etwaige Schmutzablagerungen.

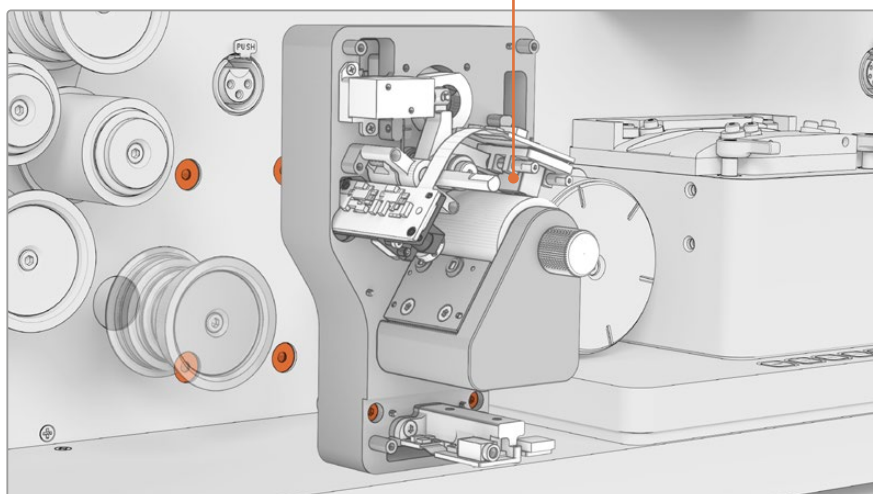
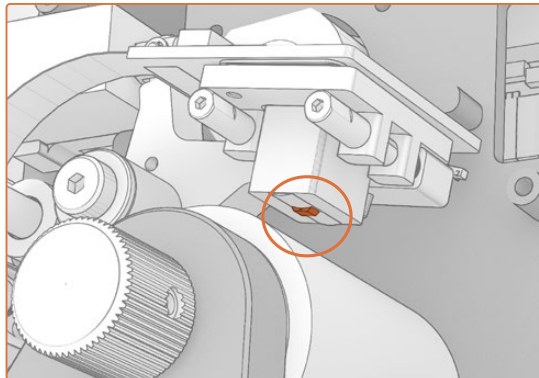


Reinigen Sie die Rollen des Audio and KeyCode Readers, indem Sie ein feuchtes Tuch gegen die Rollenoberfläche halten und am Rollenknopf drehen

Wir empfehlen, ausschließlich Wasser für die Reinigung der Rollen und des Magnetkopfs des KeyKode-Lesers zu verwenden. Alkohol, Xylen und andere Chemikalien sind überflüssig und können den Reader ggf. beschädigen.

Säubern des magnetischen Tonkopfs des Audio and KeyKode Readers

Es ist ratsam, den magnetischen Tonkopf des Audio and KeyKode Readers hin und wieder zu reinigen. Entfernen Sie zur Säuberung des Magnetkopfs die obere Abdeckung des Readers, indem Sie die vier M3-Schrauben mit einem 2,5mm-Inbusschlüssel lösen.



Nehmen Sie die Abdeckung des Audio and KeyKode Readers ab, um den Magnetkopf freizulegen

Tränken Sie dann einen Q-Tip mit Wasser, schütteln Sie überschüssige Flüssigkeit ab und streichen Sie sanft über die Oberfläche des Magnetkopfs, um Staub zu entfernen. Lassen Sie den Kopf für ein paar Minuten trocknen, bevor Sie die Abdeckung wieder anbringen.

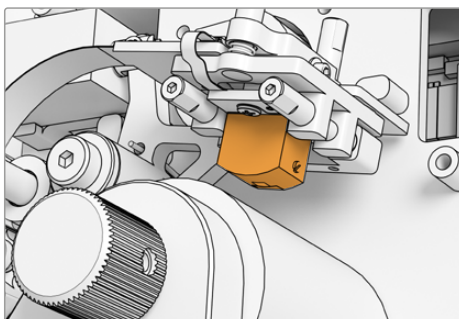
Der Magnetkopf wurde werksseitig entmagnetisiert und sollte keiner weiteren Entmagnetisierung bedürfen.

Ersatzteile für Ihren Cintel Scanner

Ersatzteile für größere Komponenten des Cintel Scanners sind über eine Blackmagic Design Support-Stelle in Ihrer Nähe erhältlich. Die Wartung Ihres Cintel Scanners ist in der Regel ziemlich einfach und intuitiv. Sollten Sie jedoch Unterlagen benötigen, können diese vom Verkaufsbüro in Ihrer Nähe zur Verfügung gestellt werden.

Ersetzen des Magnetkopfs

Der magnetische Filmstreifen berührt beim Durchlaufen den Magnetkopfspalt im Cintel Audio and KeyCode Reader und poliert allmählich seine Oberfläche. Das nutzt ihn ab und vermindert die Tonqualität. Wir empfehlen, den Magnetkopf je nach Beanspruchung alle zwei bis drei Jahre zu ersetzen.



HINWEIS Es gibt den Magnetkopf des Cintel Scanners in zwei Versionen:

Magnetkopf Version 1

Diese in älteren Audio and KeyCode Readern mit Seriennummern kleiner als 6943522 installierte Magnetkopfversion ist nicht mehr verfügbar.

Magnetkopf Version 2

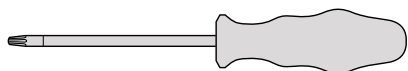
Diese aktuelle Magnetkopfversion ist in Audio and KeyCode Readern mit Seriennummern größer als 6943522 installiert.

Ist in Ihrem Audio and KeyCode Reader ein Magnetkopf der Version 2 installiert, können Sie Ihren Magnetkopf nach der in diesem Handbuchabschnitt beschriebenen Prozedur ersetzen.

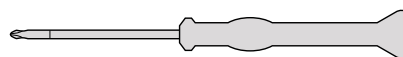
Ist jedoch ein Magnetkopf der Version 1 installiert, müssen Sie auf das Modell der Version 2 aufrüsten. Eine solche Aufrüstung ist komplexer und erfordert zusätzliche Bauteile. Die Ausführung ist technisch anspruchsvoller. Näheres finden Sie im Dokument „Cintel Audio and KeyCode Reader V2 Aufrüstungsverfahren“. Alternativ können Sie die Aufrüstung von einem unserer Verkaufsbüros vornehmen lassen. Um das Dokument zur Aufrüstung herunterzuladen oder um den Support zu kontaktieren, gehen Sie zu www.blackmagicdesign.com/de/support. Nach erfolgter Aufrüstung ist die Wartung die gleiche wie für einen Magnetkopf der Version 2.

Benötigte Werkzeuge

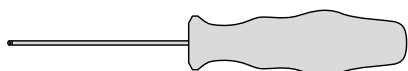
Sie benötigen die aufgelisteten Werkzeuge:



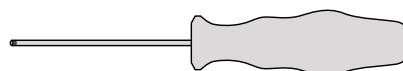
T10-Torxschraubendreher



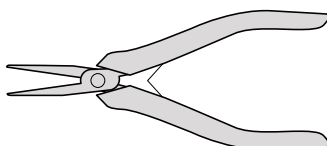
PH-00-Kreuzschlitzschraubendreher



1,5-x-60-Sechskantschraubendreher



2,5-mm-Sechskantschraubendreher



Kleine Pinzette oder Zange

HINWEIS Benutzen Sie unbedingt nichtmagnetische Werkzeuge, weil andernfalls für optimale Leistung hinterher der Magnetkopf entmagnetisiert werden muss.

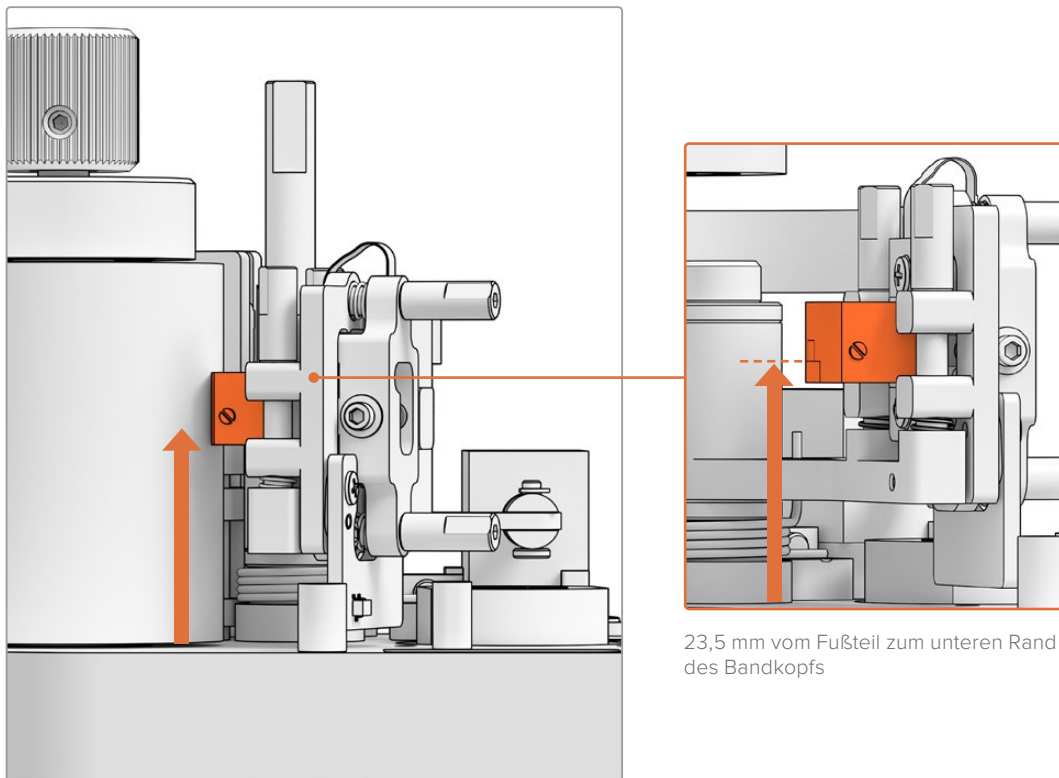
Vor dem Upgrade

Zur Gewährleistung einer optimalen Leistung des Audio and KeyCode Readers empfehlen wir, vor der Umrüstung Referenzaudio aufzeichnen, damit Sie die Tonqualität vergleichen können.

Die folgenden Referenzfilmtypen sind gute Beispiele für Referenzaudio:

- S16mm-Bezugsfilm BF16-10A DIN 15638, 25 fps magnetischer Mehrfrequenz-Testfilm
- S16mm-SepMag-Film
- S16mm-Startband. Weiß
- S16mm ComOpt SMPTE P16MF Mehrfrequenzfilm
- S35mm ComOpt SMPTE P35MF Mehrfrequenzfilm
- Ein als Kundenreferenz geeigneter Combined Magnetic ComMag Bezugsfilm
- Ein als Kundenreferenz geeigneter Combined Optical ComMag Bezugsfilm

Erstellen Sie sich eine Merkhilfe zur Position des ursprünglichen Magnetkopfs. Sie müssen diese zur Spurhalteprüfung kennen, wenn Sie den Reader nach der Umrüstung wieder zusammenbauen. Vergewissern Sie sich, dass Sie vom Fußteil des Readers bis zum Rand der Kontaktfläche des Magnetkopfs messen. Idealerweise sollten das circa 23,5 mm sein.

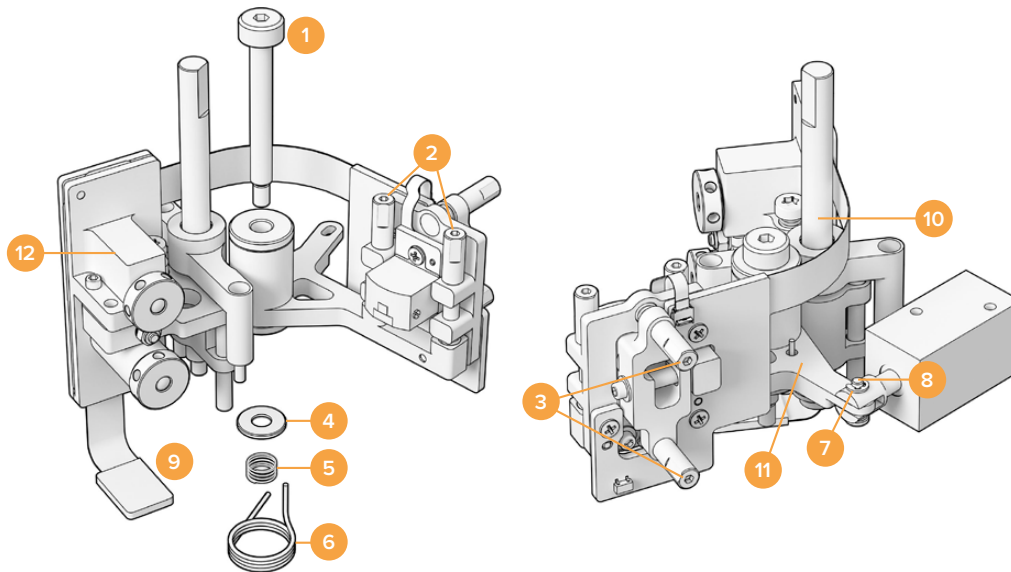


Höhe des Magnetkopfs vom Fußteil des Readers

Nach erfolgter Prüfung der Spurhaltung können Sie den Reader vom Scanner entfernen. Anweisungen finden Sie im Abschnitt „Anbringen des Audio and KeyCode Readers“ in diesem Handbuch.

Ersetzen der Magnetkopfplatine

Bevor Sie mit dem Austausch des Magnetkopf beginnen, machen Sie sich anhand der nachstehenden Abbildung mit den Teilen der Magnetkopf-Unterbaugruppe vertraut.

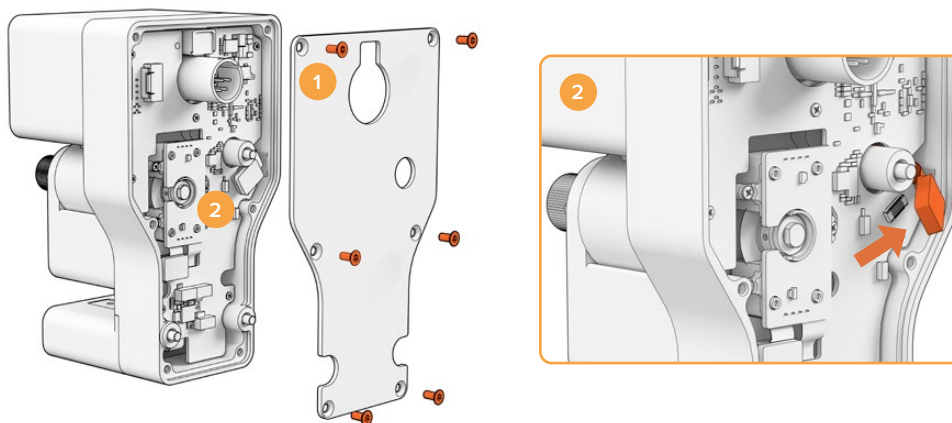


Unterbaugruppe des Magnetkopfs

- | | | | |
|---|--|----|---------------------------------|
| 1 | M3-Zapfenschraube | 7 | E-Klemme |
| 2 | A1- und A2-Azimutschrauben zur senkrechten Ausrichtung | 8 | Bügelstift |
| 3 | B1- und B2-Zenitschrauben zur Neigungsanpassung | 9 | Tonarm-Platinenverbinder |
| 4 | Halterung für die Schraubenfeder | 10 | Lagerung für die Höhenanpassung |
| 5 | Vorspannfeder | 11 | Magnetkopf |
| 6 | Feder des Magnetkopfs | 12 | Optischer Block |

Sobald Sie sich mit den Bauteilen des Audio and KeyCode Readers vertraut gemacht und alle nötigen Werkzeuge griffbereit haben, können Sie beginnen, den Magnetkopf auszutauschen.

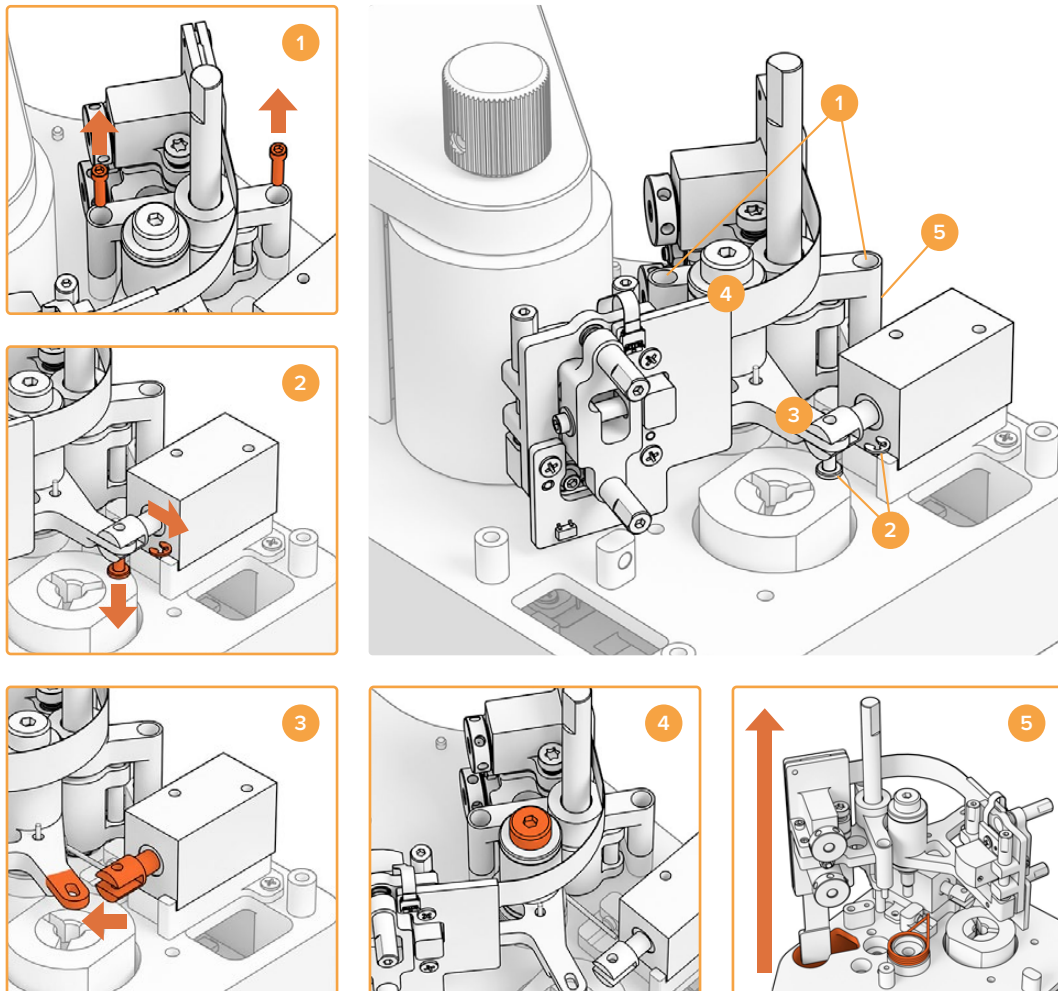
Entfernen der Rückplatte vom Reader



1. Entfernen der Rückplatte 2. Lösen der Unterbaugruppe

- 1 Um auf die Rückseite der Hauptplatine zuzugreifen, müssen Sie die Rückplatte entfernen. Lösen Sie mithilfe des T10-Torxschraubendrehers die sechs M3-Torx-Senkkopfschrauben und nehmen Sie die Platte ab.
- 2 Um die Unterbaugruppe von der Hauptplatine zu entfernen, legen Sie den Verbinderringel hinten am Reader um.

Entfernen der Unterbaugruppe



- 1 Entfernen der Höhenanpassungslagerung 2 Solenoid-E-Klemme und Bügelstift
3 Lösen des Magnetkopfarm 4 M3-Zapfenschraube 5 Entfernen der Unterbaugruppe

- 1 Legen Sie den Reader vorsichtig rücklings ab. Entfernen Sie mithilfe des 1,5-Sechskantschraubendrehers die beiden M2-Innensechskantschrauben seitlings der Höhenanpassungslagerung.
- 2 Entfernen Sie mithilfe einer Pinzette oder kleinen Zange vorsichtig die E-Klemme. Dann können Sie den Bügelstift herausziehen und den Arm vom Solenoid abnehmen.

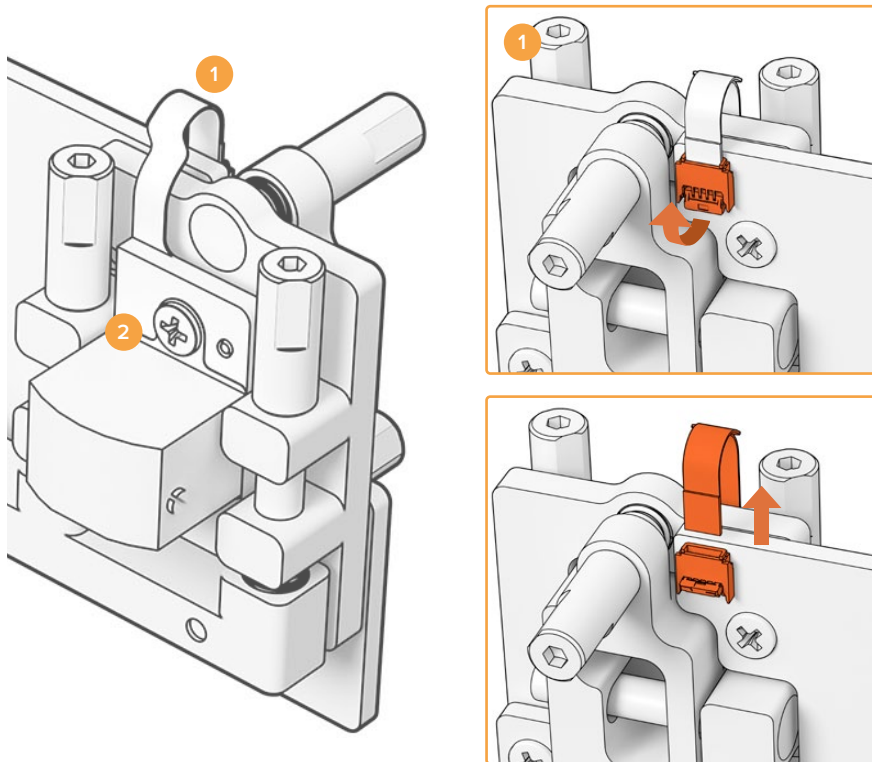
TIPP Um die Klemme richtig zu entfernen, schwenken Sie den Tonarm, bis sich die Klemme durch den Raum zwischen Klemmbuchsenmutter und Solenoid bewegen lässt. Die Klemmbuchsenmutter ist die Mutter hinter dem XLR-Verbinder, die das Kabel festhält.

- 3 Ziehen Sie den Magnetkopfarm zur Seite, um die Unterbaugruppe vom Solenoid zu lösen.
- 4 Entfernen Sie die M3-Zapfenschraube mithilfe des 2,5mm-Sechskantschraubendrehers.

- 5 Ziehen Sie die Unterbaugruppe behutsam vom Reader ab. Vergewissern Sie sich, dass der Tonarm-Platinenverbinder durch das Loch in der Hauptplatte geführt wird. Bei diesem Schritt löst sich ggf. Feder des Magnetkopfarmes. Bewahren Sie sie sicher auf, bis die Unterbaugruppe wieder zusammengesetzt wird.

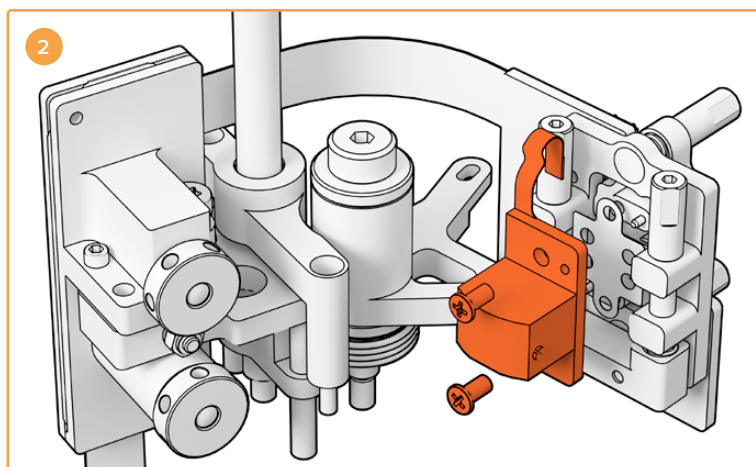
Entfernen Sie die Schraubenfederhalterung und die Vorspannfeder von der Zapfenschraube sowie die Magnetkopfarmfeder vom Befestigungsansatz.

Entfernen des Magnetkopfs



1 Platinenverbinderriegel 2 Entfernen des Magnetkopfs

- 1 Legen Sie hinten an der Tonarmplatte den Verbinderriegel um, um die Flex-Platine des Magnetkopfs zu lösen. Wenn sie gelöst ist, ziehen Sie die Flex-Platine heraus.

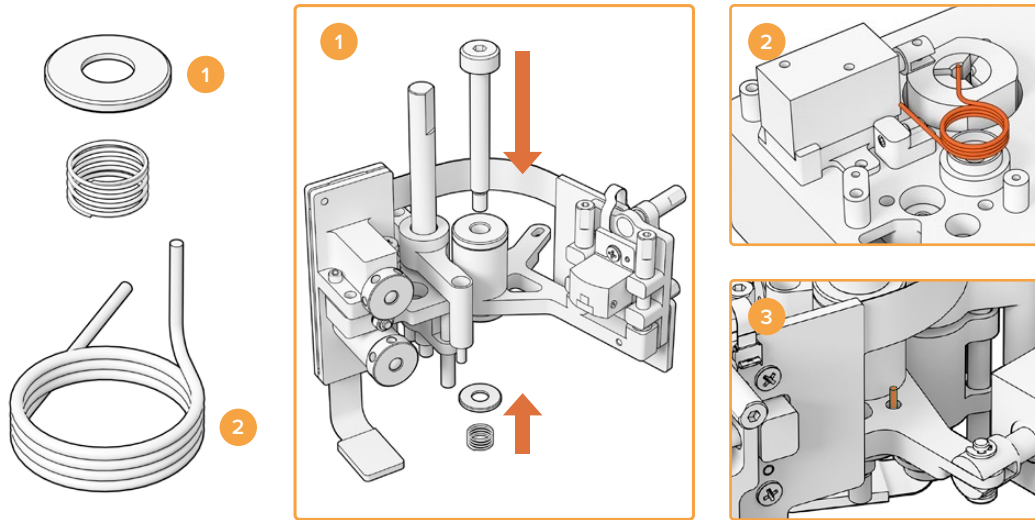


- 2 Lösen Sie die beiden M2-Flachkopfschrauben mithilfe eines PH-00-Schraubendrehers, um die vorhandene Magnetkopfplatte aus der Magnet-Azimuthhalterung zu nehmen. Die alte Magnetkopf-Hauptplatte können Sie entsorgen.

Folgen Sie zum Anbringen des neuen Magnetkopfs den Anweisungen zur Entnahme in umgekehrter Reihenfolge.

Zusammensetzen der Unterbaugruppe

Nach erfolgreichem Austausch des Magnetkopfs können Sie die Unterbaugruppe wieder zusammensetzen und an den Audio and KeyCode Reader anbringen.



1 Schraubenfederhalterung und Vorspannfeder 2 Feder des Magnetkopfarmes
3 Einführen der Magnetkopfarmfeder in den Tonarm

- 1 Schieben Sie die Schraubenfederhalterung mit der eingebuchteten Seite nach unten zeigend auf die M3-Schraube. Schieben Sie dann die Vorspannfeder auf die M3-Schraube.
- 2 Stecken Sie die Magnetkopfarmfeder auf den Befestigungsansatz.
- 3 Der Tonarm hat eine kleine Öffnung für das nach oben gerichtete Ende der Magnetkopfarmfeder. Stecken Sie beim Einbau der Unterbaugruppe das nach oben gerichtete Ende der Feder in die Öffnung.
- 4 Nachdem Sie diese Federn in die Unterbaugruppe und in den Befestigungsansatz gesteckt haben, können Sie die Unterbaugruppe an den Reader anbringen. Folgen Sie den Anweisungen in den vorherigen Abschnitten einfach in umgekehrter Reihenfolge.

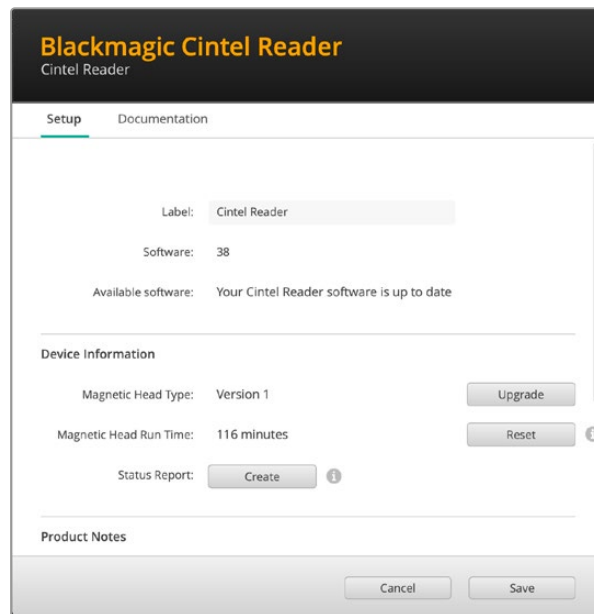
TIPP Vergewissern Sie sich beim Anbringen der Unterbaugruppe an den Reader, dass der Tonarm-Platinenverbinder durch das kleine Loch in der Hauptplatine geführt ist.

Nach Zusammensetzen der Unterbaugruppe können Sie den Audio and KeyCode Reader wieder an Ihren Cintel Scanner anbringen. Schließen Sie den Reader an den XLR-Port Ihres Cintels an und befestigen Sie ihn mit den drei unverlierbaren M3-Schrauben.

Warten Sie mit dem Anbringen der Frontplatten des Readers, damit Sie vorher zum Kalibrieren und Testen auf die Bauteile zugreifen können.

Zurücksetzen der Magnetkopf-Laufzeit

Nach Austausch des Magnetkopfs des Audio and KeyCode Readers muss der Laufzeit-Counter anhand des Cintel Setup Dienstprogramms zurückgesetzt werden.



Klicken Sie im Feld „Device Information“ auf den „Reset“-Button. Dies setzt den Laufzeitzähler zurück, damit Sie die Nutzungszeiten des neuen Magnetkopfs kontrollieren und im Auge behalten können, wann er wieder ersetzt werden muss.

Der „Upgrade“-Button im Cintel Setup Dienstprogramm dient ausschließlich zum Aufrüsten des Magnetkopf-Readers von Hardware-Version 1 auf 2. Wenden Sie sich für Einzelheiten an den Support unter www.blackmagicdesign.com/de/support.

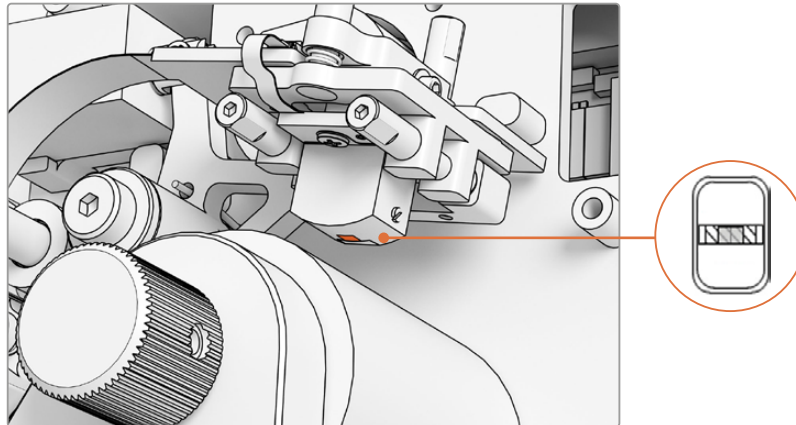
Überprüfen der Kopfausrichtung

Für die Aufzeichnung von hochwertigem Ton ist es wichtig, dass der Magnetkopf richtig ausgerichtet ist. Dies reduziert auch eine ungleichmäßige Abnutzung des Magnetkopfs.

Verwenden Sie DaVinci Resolve, um geeignete optische und magnetische Audiodateien zum Vergleich mit Ihren originalen Dateien aufzuzeichnen. Zum Testen Ihres aktualisierten Magnetkopfs empfehlen wir folgende Referenzfilme:

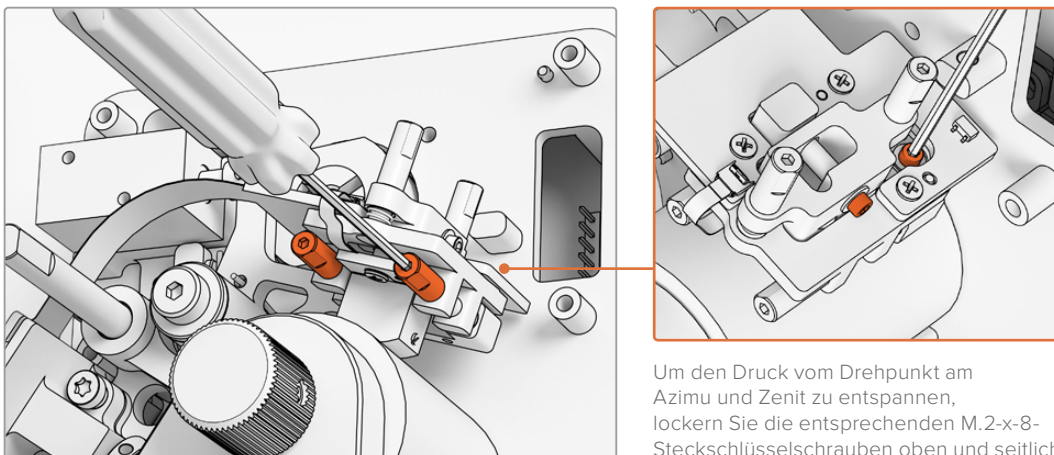
- S16mm-Bezugsfilm BF16-10A DIN 15638, 25 fps magnetischer Mehrfrequenz-Testfilm
- S16mm-SepMag-Film
- S16mm-Startband. Weiß
- S16mm ComOpt SMPTE P16MF Mehrfrequenzfilm
- S35mm ComOpt SMPTE P35MF Mehrfrequenzfilm
- Ein als Kundenreferenz geeigneter Combined Magnetic Film, kurz CoMAG, und ein Combined Optical Film, kurz ComOpt.

Magnetkopf



Der Magnetkopf im Audio and KeyCode Reader

Achten Sie beim Anpassen von Position und Winkel des Magnetkopfs auf die Gier-, Zenit- und Azimutwinkel und die Spurhaltungshöhe. Justieren Sie mithilfe eines 1,5-x-60-Sechskantschraubendrehers den Azimut und die Spurhaltungshöhe, und, sofern nötig, die Zenit- und Gierwinkel an den B1- und B2-Schrauben.



Justieren des Azimuts am Magnetkopf durch Festziehen der A1- und A2-Schrauben mithilfe eines 1,5mm-SW-Schraubendrehers

Um den Druck vom Drehpunkt am Azimu und Zenit zu entspannen, lockern Sie die entsprechenden M.2-x-8-Steckschlüsselschrauben oben und seitlich der Magnetkopfplatine

Prüfen des Verschleißmusters:

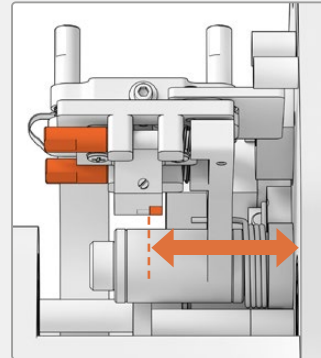
- 1 Markieren Sie die Front des Bandkopfs mit einem Markerstift.
- 2 Spulen Sie ein 16mm-Startband für nur 3–5 Sekunden durch den Filmtransport.
- 3 Untersuchen Sie das Abnutzungsmuster auf gleichmäßigen Verschleiß an beiden Seiten der Kopflücke und justieren Sie nach Bedarf. Nehmen Sie weitere Markierungen vor, wenn weitere Spuldurchläufe erforderlich sind.
- 4 Entfernen Sie nicht mehr gebrauchte Markierungen mit Alkohol.



Eine korrekte Ausrichtung ergibt ein gleichmäßiges Verschleißmuster.

Spurhaltung

Richten Sie den Kopf anhand der horizontalen A1- und A2-Azimutschrauben auf eine 16mm-SepMag-Spur aus. Streben Sie gemäß der Messung vor dem Einbau eine Entfernung von circa 23,5 mm zwischen dem Rand der Magnetkopffront und dem Reader-Fußteil an. Da alle Einstellschrauben ausgefedert und gefettet sind, brauchen sie nicht nachgezogen zu werden.

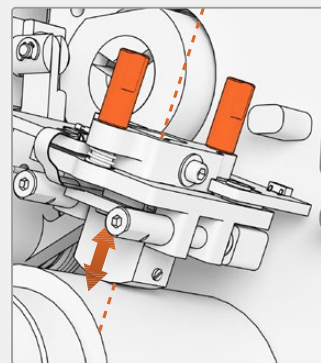


Höhe

Drehen Sie zum Anpassen der Höhe des Magnetkopfs die vertikalen B1- und B2-Schrauben gleichermaßen. Prüfen Sie die Höhe des Kopfs im Verhältnis zur Ausrichtung zum Film. Dies hilft zu gewährleisten, dass das Verschleißmuster auf die Lücke am Magnetkopf zentriert ist.



Eine inkorrekte Höhe verursacht ein unregelmäßiges Verschleißmuster.

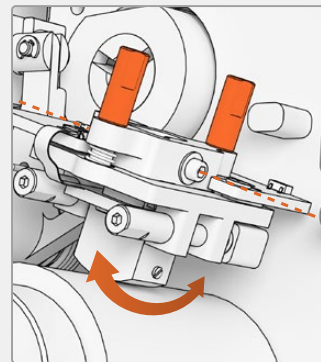


Zenit

Um den Zenit, auch Neigung genannt, anzupassen, justieren Sie die B1- und B2-Schrauben jeweils einzeln. Prüfen Sie den Tangentenwinkel des Kopfs im Verhältnis zur Ausrichtung zum Film. Dies hilft zu gewährleisten, dass die vom Kontakt mit dem Magnetkopfspalt verursachte Abnutzung gleichmäßig ist.



Ein inkorrekter Zenit verursacht ein unregelmäßiges Verschleißmuster.

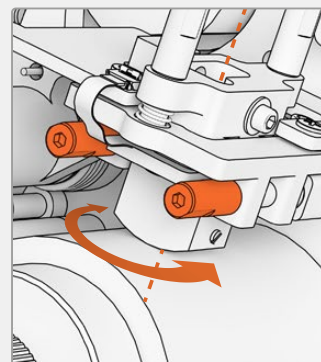


Azimut

Die horizontalen A1- und A2-Schrauben für Justagen des Azimuts stellen die senkrechte Position des Kopfs ein. Justieren Sie die A1- und A2-Azimutschrauben für maximale Signalmodulation und Phasenlinearität.

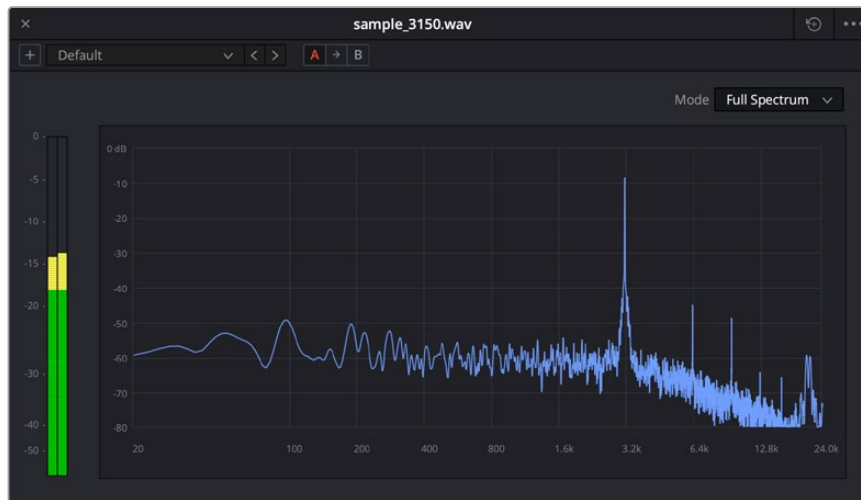


Ein inkorrekter Azimut verursacht ein unregelmäßiges Verschleißmuster und einen schlechten Hochfrequenzgang.



HINWEIS Wenn Sie mit der Einstellung und Leistung des Magnetkopfs zufrieden sind, fixieren Sie Azimut und Zenit wieder, indem Sie die M.2-x-8-Steckschlüsselschrauben festdrehen.

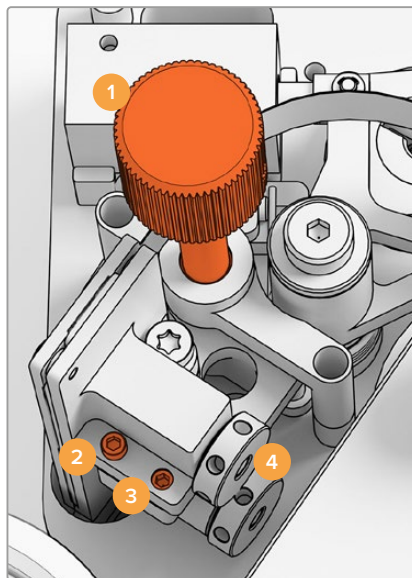
TIPP Verwenden Sie einen Tontestfilm mit einer möglichst hohen Frequenz, vorzugsweise 10 kHz. Zeichnen Sie die WAV-Waveform und FFT in Resolves Fairlight-Raum anhand der „Frequency Analyzer“-Werkzeuge auf und prüfen Sie sie dort. Alternativ benutzen Sie, sofern vorhanden, ein Fremdanbieter-Werkzeug für die Live-Analyse über den Kopfhörerausgang oder das Desktop Video Audiogerät für den Scanner.



Tracking-Beispiel von Gleichlaufschwankungen bei 3,15 kHz mit dem „Frequency Analyzer“

Prüfen der Ausrichtung des optischen Blocks

Vergewissern Sie sich durch Prüfen der Ausrichtung der Lichttonlinsen, dass der Lichttonblock ordnungsgemäß funktioniert.



- 1 Spurhaltungs-Reglerknopf 2 Azimut-M2-Einstellschraube
3 Azimut-M3-Sperrschraube 4 Lichttonlinsen

Spurhaltungshöhe

Justieren Sie die Höhe des Spurhaltungs-Reglerknopfs, um die Lichttonlinsen auf die Tonspuren von 16mm- und 35mm-Film auszurichten. Vergewissern Sie sich, dass die Linsen jede einzelne Tonspur abdecken, ohne einander zu überschneiden. Die Stärke des Tons lässt sich beurteilen, indem Sie einen Combined Optical Film, kurz ComOpt, aufzeichnen und die Waveform und FFT in DaVinci Resolves Fairlight-Raum mit dem „Frequency Analyzer“-Tool prüfen. Alternativ benutzen Sie, sofern vorhanden, ein Fremdanbieter-Werkzeug für die Live-Analyse über den Kopfhörerausgang oder das Desktop Video Audiogerät für den Scanner.

Azimut

Der Azimut für den optischen Block ist werksseitig voreingestellt. Im unwahrscheinlichen Fall, dass Sie den Azimut selbst einstellen müssen, folgen Sie den nachstehenden Schritten:

- 1 Lösen Sie die Azimut-M3-Sperrschraube mithilfe eines 1,5mm-Sechskantschraubendrehers.
- 2 Drehen Sie, während ein hochfrequenter 35mm-Stereo-Testtonfilm läuft, die Azimut-M2-Einstellschraube, um zu gewährleisten, dass der linke und rechte Audiokanal ausgerichtet und in Phase sind.
- 3 Wenn Sie mit dem Ergebnis zufrieden sind, geben Sie den Azimut vor, indem Sie die Azimut-Sperrschraube fixieren.

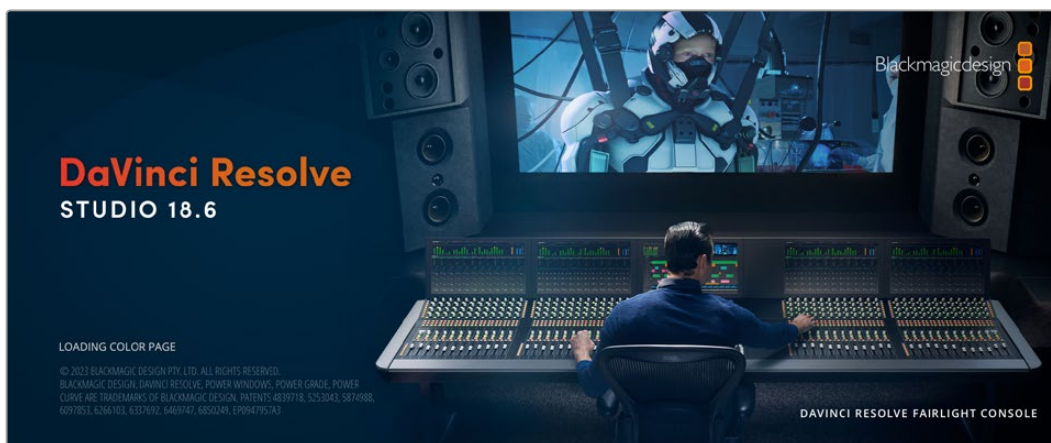
HINWEIS Manchmal wirkt sich das Fixieren der Azimut-Sperrschraube geringfügig auf die Azimut-Einstellungen aus. Wiederholen Sie in diesem Fall einfach die obigen Schritte.

Setzen Sie nach erfolgter Kalibrierung des Magnetkopfs und Lichttonblocks die Frontplatte wieder auf. Befestigen Sie sie mit den unverlierbaren M3-Schrauben mithilfe eines 2,5mm-Sechskantschraubendrehers. Nachdem Sie die Frontblende gesichert haben, bringen Sie als nächstes den Reglerknopf mithilfe eines 1,5mm-Sechskantschraubendrehers an.

In DaVinci Resolve mit Clips arbeiten

Während Sie Ihre Clips scannen, können Sie mithilfe des „Clone“-Tools im Arbeitsraum „Media“ in DaVinci Resolve Backups erstellen. Dies empfiehlt sich, da bei jeder Art von Speichermedien das Risiko einer Beschädigung oder Störung besteht. Die Erstellung von Sicherungskopien schützt Sie vor dem Verlust Ihrer gescannten Dateien. Nach erfolgreichem Backup Ihrer Medien mit DaVinci Resolve können Sie Ihre gescannten Clips in den DaVinci Media Pool laden und sie in einer Timeline anordnen, farblich nachbearbeiten und Ihre Produktion fertigstellen, ohne je DaVinci Resolve zu verlassen.

TIPP HDR-Clips erkennt man am HDR-Icon in der unteren linken Ecke der Clip-Miniaturansicht.



Da Ihr Cintel Scanner im RAW-Bildformat CRI mit einem breiten Dynamikumfang aufzeichnet, hilft Ihnen DaVinci Resolve dabei, Ihre Shots so anzupassen, dass Sie Ihren gewünschten Look bekommen. DaVinci Resolve wird für das Gros der großen Kinohits benutzt. Es bietet also viel mehr als nur ein simples NLE-Softwaretool, weil in dieser für Highend-Digitalfilm konzipierten Anwendung äußerst hochentwickelte Technologie steckt. Profitieren auch Sie beim Gebrauch von DaVinci Resolve für Schnitt und Farbkorrektur von dieser Technologie.

Hier werden die ersten Schritte zum Gebrauch von DaVinci Resolve mit Ihren gescannten Dateien erklärt. Da DaVinci Resolve eine hochkomplexe Software ist, sind darin natürlich viel mehr Features enthalten als ein erster Blick auf die Bedienoberfläche ahnen lässt. Näheres zur Verwendung von DaVinci Resolve finden Sie in der englischsprachigen Bedienungsanleitung auf der Blackmagic Website, wo auch zahlreiche Trainingskurse und Videotutorials zur Verfügung stehen.

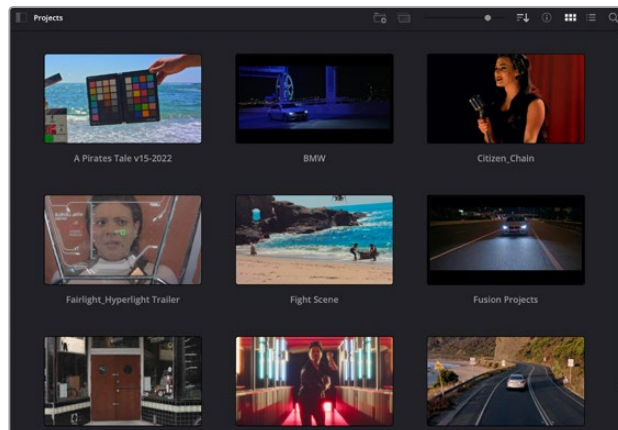
Project Manager

Bevor Sie Ihre Clips zur Bearbeitung importieren, müssen Sie Ihr Projekt im Projektmanager einrichten.

Das Projektmanager-Fenster öffnet sich beim Starten von DaVinci Resolve. Es kann auch sonst jederzeit durch Anklicken des Home-Icons unten rechts auf der Bedienoberfläche aufgerufen werden. Das ist nützlich, wenn Sie bestehende Projekte öffnen und neue erstellen möchten.

Zum Erstellen eines neuen Projekts klicken Sie am unteren Fensterrand des Projektmanagers auf „New Project“ und benennen Ihr Projekt. Klicken Sie zur Bestätigung auf „Create“.

Im Cut-Arbeitsraum können Sie Ihren Edit sofort bearbeiten.



Der Projektmanager zeigt alle vom aktuellen User verwendeten Projekte an

Weitere Informationen zum Projektmanager finden Sie unter „Project Manager“ im englischsprachigen DaVinci Resolve Handbuch, das auf den Support-Seiten der Blackmagic Design Website heruntergeladen werden kann.

Schneiden im Cut-Arbeitsraum

Der Cut-Arbeitsraum unterstützt einen schnellen, dynamischen Schnitt-Workflow, mit dem Sie Clips zügig und effizient zusammenstellen, trimmen und bearbeiten können.

Zwei aktive Timelines lassen Sie ganze Edits sowie einzelne Abschnitte gleichzeitig bearbeiten. So können Sie Clips beliebig in eine große Timeline platzieren und anschließend in derselben Arbeitsumgebung in einer detaillierten Timeline bearbeiten. Dieser Workflow ermöglicht das Schneiden und Arbeiten auf Laptops, ohne zu zoomen oder zu scrollen, was Ihnen viel Zeit spart.

Das Layout des Cut-Arbeitsraums

Wenn Sie den Cut-Arbeitsraum öffnen, werden der Media Pool (Medienspeicher), Viewer (Ansichtsfenster) und die Timeline eingeblendet. Diese drei primären Arbeitsbereiche geben Ihnen die volle Kontrolle über Ihren Edit.

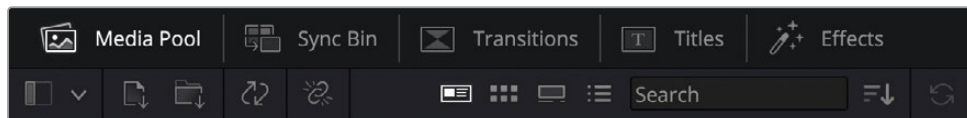


Im Cut-Arbeitsraum wird der Media Pool standardmäßig in der Icon-Ansicht dargestellt

Weitere Informationen zum Cut-Arbeitsraum finden Sie im Kapitel „Using the Cut Page“ des englischsprachigen DaVinci Resolve Handbuchs.

Medien-Menü

In der oberen linken Ecke der Bedienoberfläche befinden sich fünf Schaltflächen. Klicken Sie auf diese Schaltflächen, um zum Medientoolset für die Bearbeitung Ihres Edits zu gelangen. Die erste Schaltfläche steht für den Media Pool, der bereits ausgewählt ist. Über die anderen Schaltflächen werden die Sync Bin, Übergänge, Titel und Effekte aufgerufen.



Media Pool

Der Media Pool enthält alle im Media-Arbeitsraum importierten Clips, Ordner und Dateien. Wenn Sie einen neuen Clip importieren möchten, ist der Dateimport auch direkt im Cut-Arbeitsraum möglich, ohne in den Media-Arbeitsraum zurückkehren zu müssen.

Sync Bin

Diese leistungsstarke Funktion synchronisiert alle Ihre Clips automatisch nach Timecode, Datum und Uhrzeit. So können Sie in Mehrkameraprojekten aus allen Kamerawinkeln wählen.

Transitions

Über die Transitions-Schaltfläche daneben gelangen Sie zu den Video- und Audioübergängen, die Sie in Ihrem Edit anwenden können. Sie umfassen gängige Übergänge wie Überblendungen und Wischblenden.

Titles

Neben den Übergängen befindet sich die Titel-Schaltfläche. Hier können Sie einen Titeltyp auswählen. Möglich sind z. B. Roll- bzw. Kriechtexte, Vollbildtexte oder Bauchbinden. Darüber hinaus gibt es eine Liste mit Fusion-Titelvorlagen für stärker animierte dynamische Titel, die im Fusion-Arbeitsraum von DaVinci Resolve eigens definiert werden können.

Effects

Die fünfte Schaltfläche ist den Effekten gewidmet. Hier gibt es sämtliche Filter und Effekte wie individualisierbare Weichzeichnungs-, Leucht- und Blendeneffekte, mit denen Sie Ihren Edit lebendiger gestalten können. Es stehen zahlreiche wirkungsvolle Effekte zur Auswahl, die Sie über die Suchfunktion schnell finden.

TIPP Über das Suchfeld in der Leiste unter den Schaltflächen finden Sie exakt Ihr gewünschtes Element. Wenn Sie z. B. für Übergänge die Transitions-Schaltfläche geöffnet haben und „Dissolve“ in das Suchfeld eingeben, werden ausschließlich Überblendungen im Viewer angezeigt, was Ihre Suche nach Dissolve-Übergängen beschleunigt.

Viewer-Menü

In der oberen linken Ecke des Viewers finden Sie Buttons für die verschiedenen Ansichtsmodi.



Ansichtsmodus-Buttons

Diese Buttons bestimmen, welcher Viewer gerade aktiv ist. Es gibt die Optionen „Source Clip“, „Source Tape“ und „Timeline“ (Quellclip, Quellband und Timeline). Diese Ansichtsmodi geben Ihnen beträchtliche Kontrolle bei der Clipauswahl für Ihren Edit, weshalb Sie sich Ihre Funktionsweise kurz anschauen sollten.



	Source Clip	<p>Der „Source Clip“-Viewer dient der Sichtung eines einzelnen Quellclips aus dem Media Pool. Er unterstützt das Setzen von In- und Out-Punkten entlang der gesamten Viewer-Timeline. Das bringt mehr Kontrolle. Wählen Sie einen Quellclip zur Sichtung aus. Doppelklicken Sie dafür auf einen Clip im Media Pool oder ziehen Sie ihn direkt ins Viewer-Fenster.</p>
	Source Tape	<p>Der „Source Tape“-Viewer dient der Ansicht aller Quellclips im Media Pool. Diese leistungsstarke Funktion ist nützlich, wenn Sie auf der Suche nach einem bestimmten Ereignis schnell alle Ihre Clips durchsehen wollen. Wenn Sie die Clips im Viewer mit dem Abspielkopf durchlaufen, werden die entsprechenden Thumbnails im Media Pool ebenfalls mit ausgewählt. Wenn Sie also Ihren zu bearbeitenden Clip gefunden haben, können Sie auf die „Source Clip“-Schaltfläche klicken, woraufhin der dazugehörige Quellclip automatisch im Viewer erscheint.</p> <p>Mit dem „Source Tape“-Viewer profitieren Sie voll vom nichtlinearen Schnitt und verschaffen sich die Freiheit, Edits zu bearbeiten, Shots schnell zu finden und Neues auszuprobieren, während Sie mitten im Geschehen bleiben.</p>
	Timeline	<p>Im Timeline-Viewer können Sie die Schnitt-Timeline betrachten, um Projekte wiederzugeben und Edits zu verfeinern.</p>

Importieren von Clips in den Media Pool

Jetzt können Sie damit beginnen, Medien in Ihr Projekt zu importieren. Sie tun das im Cut-Arbeitsraum mithilfe der Import-Tools, die sich am oberen Rand des Media-Pool-Fensters befinden.



Wählen Sie eine der Importoptionen aus, um Medien zu Ihrem Projekt hinzuzufügen

	Import Media	<p>Diese Option importiert einzelne Mediendateien von einem vorgegebenen Speicherort.</p>
	Import Media Folder	<p>Wählen Sie diese Option, um einen ganzen Ordner von Ihrem Medienspeicherort zu importieren. Beim Importieren von Ordnern behält DaVinci Resolve die Ordnerstruktur bei und behandelt jeden Ordner als separate Bin. So können Sie zum Auffinden von Videos und anderen Dateien durch Bins navigieren.</p>

So importieren Sie Medien:

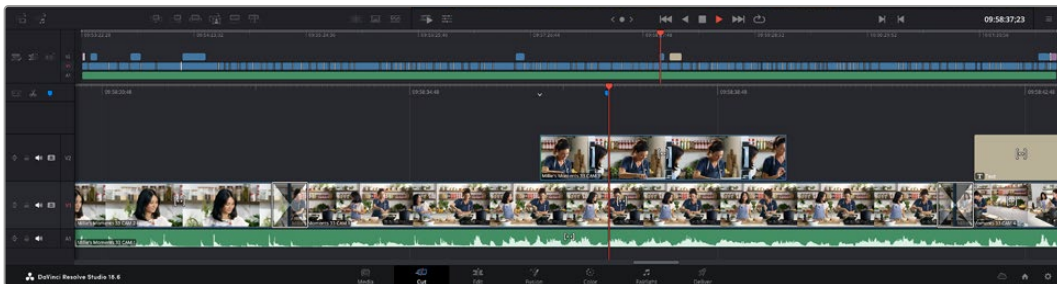
- 1 Klicken Sie auf das Icon „Import Media“ oder „Import Media Folder“.
- 2 Navigieren Sie zu dem Medienspeicherort, wo sich Ihre zu importierenden Medien befinden.
- 3 Wählen Sie die Datei oder den Ordner aus und bestätigen Sie mit „Open“.

Wenn Sie Medien zu Ihrem Projekt hinzugefügt haben, empfiehlt es sich, diese Änderungen zu speichern. DaVinci Resolve hat eine automatische Speicherfunktion namens „Live Save“, die Ihr Projekt schnell und fortwährend speichert. Ist Ihr Projekt einmal gespeichert, wird mit der Live-Save-Funktion jede weitere Änderung automatisch neu gespeichert. So geht keine Arbeit verloren.

Weitere Informationen zu „Live Save“ und anderen Speicherfunktionen finden Sie im englischsprachigen DaVinci Resolve Handbuch.

Einfügen von Clips in die Timeline

Nachdem Sie die Menüs und Modi für Medien und Viewer kennengelernt haben, können Sie jetzt den Media Pool öffnen und Clips direkt in Ihre Timeline einfügen.



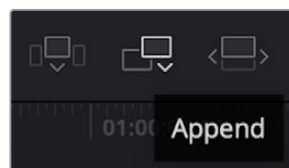
Die Timeline im Cut-Arbeitsraum mit der oberen und der herangezoomten Timeline darunter

In der Timeline stellen Sie Ihren Edit zusammen. Wie an einem Reißbrett können Sie hier Spuren mit Clips versehen, Clips verschieben und Edits trimmen. Mithilfe von Spuren lassen sich Clips in Ebenen anordnen. Das bietet mehr Flexibilität, um unterschiedliche Edits auszuprobieren und Übergänge und Effekte zu erstellen. Zum Beispiel könnten Sie in einem Edit einen Clip in eine Spur platzieren, ohne dass dieser die Clips auf den anderen Spuren darunter beeinflusst.

Clips können auf unterschiedliche Weise zur Timeline hinzugefügt werden. Es gibt „Smart Insert“, „Append“, „Place on top“ und andere Methoden.

Hinzufügen von Clips per Append

Wenn Sie Takes auswählen und einen Edit zusammenstellen, empfiehlt es sich, Shots nacheinander in die Timeline einzufügen. Das „Append“-Tool eignet sich für diesen Zweck und ermöglicht Ihnen schnelles Editieren.



Klicken Sie auf das „Append“-Icon, um Clips im Schnellverfahren nach dem letzten Clip einzufügen

So fügen Sie einen Clip per „Append“ ein:

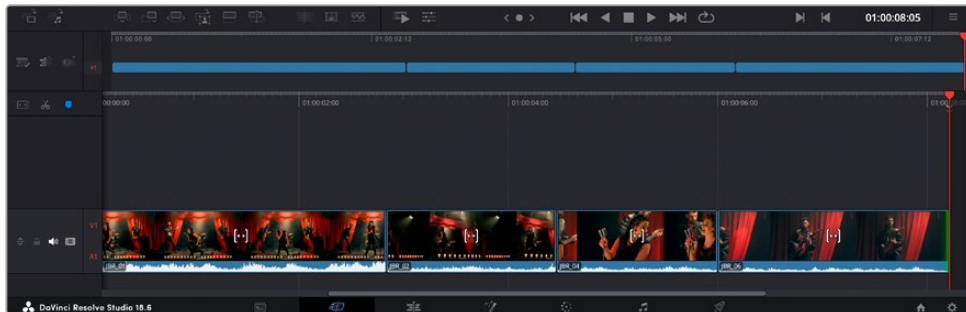
- 1 Doppelklicken Sie auf einen Clip im Media Pool, um ihn im Viewer zu öffnen.
- 2 Setzen Sie mit dem sogenannten Scratch-Trim-Tool In- und Out-Punkte, um einen bestimmten Abschnitt in Ihrem Shot zu markieren. In- und Out-Punkte können auch mit den I- und O-Tasten Ihrer Tastatur gesetzt werden.



- 3 Klicken Sie nun unterhalb des Media Pools auf das „Append“-Icon.

Der erste Clip wird am Anfang der Timeline platziert.

Wiederholen Sie zum Einfügen weiterer Clips Schritte 1 bis 3. Um in der Timeline Lücken zu vermeiden, werden die Clips automatisch am Ende angehängt.



Per „Append“ werden Clips verlässlich ohne Lücken in die Timeline eingefügt

TIPP Dieser Prozess lässt sich weiter beschleunigen, indem Sie dem „Append“-Icon einen Tastaturbefehl zuweisen. Wenn Sie beispielsweise die P-Taste zuweisen, können Sie Ihre In- und Out-Punkte mit den I- und O-Tasten vorgeben und den Clip anschließend durch Drücken der P-Taste am Ende anhängen. Weitere Informationen zur Vergabe von Tastaturkürzeln finden Sie im englischsprachigen DaVinci Resolve Handbuch.

Trimmen von Clips in der Timeline

Befinden sich Ihre Clips erst einmal in der Timeline, haben Sie die volle Kontrolle über sie. Sie können sie umherbewegen und Edits trimmen.

Halten Sie zum Trimmen eines Edits die Maus über den Anfang oder das Ende eines Clips und klicken und ziehen Sie mit gedrückter Maustaste nach links oder rechts. Indem Sie bspw. das Ende eines Clips nach links oder rechts ziehen, verlängern oder verkürzen Sie ihn. Sie werden merken, dass alle Clips im Anschluss an diesen Edit in der Timeline nachrücken, um die Änderung zu ermöglichen. Dies ist nur eine Methode, mit der der Cut-Arbeitsraum Ihnen Zeit spart.

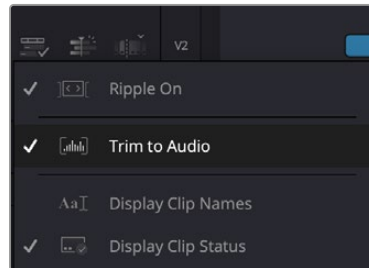
Sie können einen Clip auch mit der Maus greifen und in eine neue Videospur der großen Timeline platzieren, ohne zu zoomen. Das beschleunigt den Editingprozess, weil die Navigation durch lange Timelines minimiert wird.

Audio-Trimm-Ansicht

Die Audio-Trimm-Ansicht hilft Ihnen beim Ausführen präziser Tonschnitte durch Einblenden der Audio-Waveform in der Timeline. Dies ist beim Bearbeiten von Dialog-Szenen oder Musikclips praktisch, da es das Setzen von Schnittmarken zwischen einzelnen Wörtern oder Beats erleichtert.

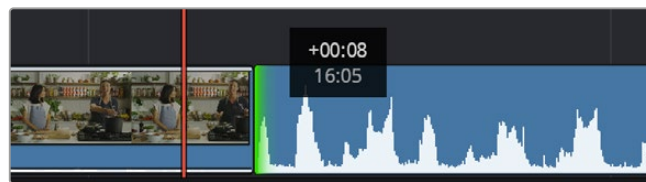
So verwenden Sie die Audio-Trimm-Ansicht:

- 1 Klicken Sie auf das Icon mit den Timeline-Optionen und aktivieren Sie „Trim to Audio“.



Option zum Schneiden von Ton

- 2 Beim Trimmen eines Schnitts sehen Sie nun eine erweiterte Wellenform in der Timeline. Nachdem Sie mit dem Trimmen fertig sind, werden die Clips in der Timeline wieder in der gewohnten Größe angezeigt.



Die Audio-Trimm-Ansicht blendet die Audio-Waveform in der Timeline ein

Wenn Sie Ihre Clips im Cut-Arbeitsraum fertig bearbeitet haben, möchten Sie vielleicht noch einen Titel hinzufügen. Im nächsten Abschnitt erfahren Sie, wie das geht.

Hinzufügen von Titeln

Es geht leicht, einen Titel in die Timeline einzufügen. Sie haben mehrere Möglichkeiten.

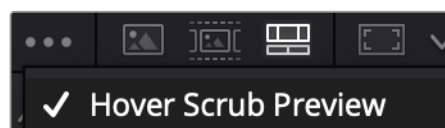
Um die verschiedenen Titeltypen zu sehen, klicken Sie im Media-Arbeitsbereich oben links auf der Bedienoberfläche auf die Titel-Schaltfläche. Im Auswahlfenster werden alle verfügbaren Titelgeneratoren wie Bauchbinden, Rolltitel und regulärer Text als Thumbnails angezeigt. Sie können sogar beliebige Titel aus Fusion hinzufügen. Dabei handelt es sich um animierte Titel, die Sie selbst gestalten können.

Titel als Vorschau anzeigen

Vor dem Einfügen eines Titels in Ihre Timeline können Sie ihn sich durch Auswählen im „Titles“-Fenster als Vorschau anzeigen lassen. So können Sie schnell alle verfügbaren Optionen durchsehen, bevor Sie sich für eine entscheiden.

So zeigen Sie einen Titel als Vorschau an:

- 1 Wählen Sie in den Menüoptionen oben rechts neben dem „Titles“-Fenster „Hover Scrub Preview“ (Vorschau beim Bewegen über das Thumbnail) aus.



Menüoption zum Aktivieren der Vorschau beim Bewegen über das Thumbnail

- 2 Bewegen Sie Ihren Mauszeiger im „Titles“-Auswahlfenster über ein Thumbnail, um den Titel als Vorschau im Viewer anzuzeigen. Um die Animation eines animierten oder eines Fusion Titels zu sehen, bewegen Sie den Mauszeiger beim Betrachten von links nach rechts über das Thumbnail dieses Titels.



Zeigen Sie einen Titel durch Bewegen über das Thumbnail als Vorschau im Viewer an

Nach Auswahl eines Titels können Sie ihn in Ihre Timeline einfügen.

So fügen Sie einen Standard-Titel ein:

- 1 Klicken Sie auf den Titel und ziehen Sie ihn in die Timeline. Das ist in beiden Timelines möglich, doch für mehr Präzision empfehlen wir die detaillierte Timeline zu verwenden. Diese Aktion erstellt automatisch eine neue Videospur und der Titel rastet am Abspielkopf ein.
- 2 Mit dem Loslassen der Maustaste erscheint der Titel in der neuen Spur. Sie können ihn nun wie jeden anderen Videoclip verschieben und seine Länge verändern.
- 3 Zur Titelbearbeitung klicken Sie auf den neuen Titelclip und dann unterhalb des Clip-Viewers auf das Werkzeug-Icon.
Das Anklicken ruft mehrere Tools auf, mit denen Sie den Titelclip bearbeiten können. Zum Beispiel gibt es Transform, Crop und Dynamic Zoom (Transformieren, Beschneiden, Dynamischer Zoom).
- 4 Klicken Sie nun auf die Inspector-Schaltfläche.

Das Inspector-Fenster wird geöffnet, in dem Sie Ihren Titeltext eingeben und Text Einstellungen wie Tracking, Zeilenabstand, Schriftart, Schriftfarbe und mehr bearbeiten können.

Es gibt zahlreiche Möglichkeiten, Ihren Titeltext exakt nach Wunsch zu individualisieren. Es empfiehlt sich mit den unterschiedlichen Einstellungen zu spielen, um zu sehen, wie sie die Erscheinung und Form Ihres Titels beeinflussen.

TIPP Die „Hover Scrub Preview“-Funktion können Sie auch benutzen, um Effekte, Übergänge, Generatoren und Filter im Cut- oder Edit-Arbeitsraum einzufügen.

Arbeiten mit Blackmagic-RAW-Dateien

Clips in Blackmagic RAW geben Ihnen in der Postproduktion maximalen Spielraum. So können Sie Änderungen an Ihren Clips – bspw. am Weißabgleich und an den ISO-Werten – vornehmen, als würden Sie die ursprünglichen Kameraeinstellungen ändern. In Blackmagic RAW bleiben überdies mehr Tonwerte in den Schatten und Spitzlichtern erhalten. Das ist sehr praktisch für die Wiederherstellung von Details wie bspw. in einem überbelichteten Himmel oder in den dunklen Bereichen des Bilds.

Das Filmen in Blackmagic RAW lohnt sich, wo eine höchstmögliche Qualität angestrebt wird. Auch Aufnahmen mit extremen Kontrasten zwischen Spitzlichtern und Schatten profitieren davon, da Sie diese Bereiche beim späteren Grading eventuell optimieren müssen.

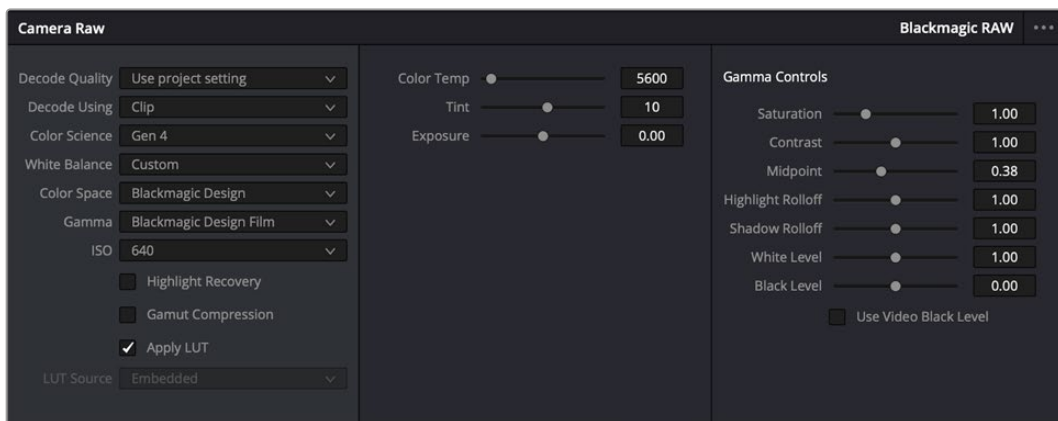
Dank der Geschwindigkeit und kleinen Dateien von Blackmagic RAW brauchen Sie keine Proxydateien mehr zu erstellen, da Blackmagic-RAW-Dateien wie reguläre Videoclips wiedergegeben werden. Dieser Abschnitt der Bedienungsanleitung befasst sich mit den Funktionsmerkmalen von Blackmagic RAW und dem Umgang mit Blackmagic-RAW-Dateien in Ihrem DaVinci Resolve Workflow.

TIPP Es ist gängige Praxis, die Blackmagic-RAW-Einstellungen für Ihre Clips im Color-Arbeitsraum anzupassen, bevor Sie mit der Farbkorrektur beginnen.

Clip-Einstellungen für Blackmagic RAW

Beim ersten Importieren von RAW-Dateien entschlüsselt DaVinci Resolve die in diesen Dateien enthaltenen Kameradaten. Die Software verwendet dann die zur Zeit der Aufzeichnung eingestellten ISO-, Weißabgleich- und Farbtonwerte. Wenn Ihnen der mit diesen Einstellungen erzielte Look gefällt, können Sie sofort mit dem Schnitt beginnen.

Der große Vorteil des Filmens in Blackmagic RAW liegt darin, dass man nicht an diese Einstellungen gebunden ist. Die mit Blackmagic-RAW-Dateien in der Postproduktion gegebenen vielfältigen Möglichkeiten erlauben es Ihnen, im Laufe der Zeit einen eigenen Arbeitsfluss zu entwickeln. Wenn Sie mit den „Clip“-Einstellungen einzelner Clips experimentieren, erkennen Sie schnell, wie leistungsfähig und flexibel es sein kann, mit Blackmagic RAW zu arbeiten.



Um Anpassungen an den Blackmagic-RAW-Einstellungen Ihres Clips vorzunehmen, wählen Sie im „Camera Raw“-Tab aus dem Menü „Decode Using“ (Dekodieren mit) die Option „Clip“ aus

Ändern von Blackmagic-RAW-Einstellungen

Sobald Sie die Clip-Einstellungen für Blackmagic RAW in DaVinci Resolve aktiviert haben, können Sie die Clip-Einstellungen und Gamma-Steuerelemente anpassen. Durch Anpassen dieser Einstellungen können Sie Ihre Clips annähernd so gut optimieren wie mit einer vollständigen primären Farbkorrektur. Das ist besonders dann wirkungsvoll, wenn Sie mit den Scopes in DaVinci Resolve arbeiten. Vor der Anwendung eines Looks können Sie so Ihre Clips neutralisieren und abstimmen.

Nachstehend werden die Clip- und Gamma-Steuerelemente im Einzelnen beschrieben.

ISO

Das Erhöhen oder Verringern dieser Einstellung passt den ISO-Wert an. Das ist nützlich, wenn Sie einen Clip zur Optimierung insgesamt heller oder dunkler setzen möchten.

Highlight Recovery

Aktivieren Sie diese Funktion, wenn Sie Highlight-Angaben in beschnittenen Clipkanälen mit Informationen aus unbeschnittenen Kanälen wiederherstellen möchten.

Gamut Compression

Aktivieren Sie dieses Kästchen, um automatisch sichere Farbraumpegel beizubehalten.

Color Temp

Um das Bild wärmer oder kühler zu machen, passen Sie die Farbtemperatur an. Mithilfe dieser Einstellung neutralisieren Sie die Farbbalance eines Bilds.

Tint

Durch Anpassen der Tönung wird dem Bild Grün oder Magenta hinzugefügt, um die Farben auszugleichen.

Exposure

Diese Einstellung hebt die Helligkeit im Bild insgesamt an.

Saturation

Die Sättigungsregler reichen von 0 für die geringste Sättigung bis 4 für maximale Sättigung. Der Standardwert ist 1.

Contrast

Der Standardwert ist 1.0. Der geringste Kontrast liegt bei 0, der stärkste bei 2. Ziehen Sie den Regler nach links, um den Kontrast zu reduzieren bzw. nach rechts, um ihn anzuheben.

Midpoint

Im Modus „Blackmagic Design Film“ liegt der standardmäßige Graustufenwert bei 0,38 bzw. 38,4 %. Ziehen Sie den Regler nach links, um die Mitteltöne zu reduzieren oder nach rechts, um sie auf max. 100 % anzuheben. Wenn der Kontrast auf einen anderen als den Standardwert angepasst wird, können Sie Ihre Werte für Highlight- und Shadow-Roll-Off modifizieren.

Highlight Rolloff

Sie justieren die Lichter, indem Sie den Regler nach links ziehen, um sie zu reduzieren (0 ist der niedrigste Wert) oder nach rechts, um sie hochzufahren (2 ist der höchste Wert). Der Standardwert beträgt 1.

Shadow Rolloff

Ziehen Sie den Regler nach links, um die Schatten auf 0 zu reduzieren oder nach rechts, um sie auf 2 anzuheben.

White Level

Sie justieren den Weißpunkt in der Gammakurve, indem Sie den Regler vom Höchstwert 2 auf den Niedrigstwert 0 ziehen. Der Standardwert beträgt 1.

Black Level

Sie heben den Schwarzpunkt in der benutzerdefinierbaren Gammakurve an, indem Sie den Regler nach rechts ziehen. -1 ist der niedrigste Wert, 1 ist der höchste Wert. Der Standardwert beträgt 0.

Use Video Black Level

Um die Schwarzwerte auf „Video“ zu setzen, aktivieren Sie dieses Kontrollkästchen.

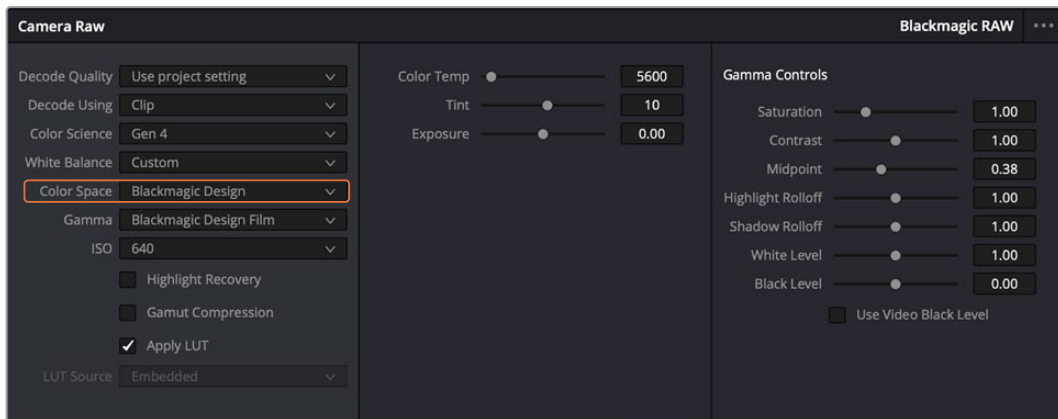
Export Frame

Durch Klicken des Buttons „Export Frame“ können Sie einen einzelnen Frame aus dem Blackmagic-RAW-Clip exportieren.

Update Sidecar

Klicken Sie diesen Button, um die Filialdatei für den aktuellen Clip zu aktualisieren.

An Ihren Blackmagic-RAW-Clips vorgenommene Änderungen sind daran erkennbar, dass Gamma zur benutzerdefinierten Einstellung „Blackmagic Design Custom“ wechselt.



Um Ihren Clip auf eine der verfügbaren Gamma-Standardoptionen zurückzusetzen, wählen Sie diese aus dem Gamma-Drop-down-Menü aus

TIPP Für Footage, die mit dem „Video“-Dynamikumfang gefilmt wurde, sind die Gamma-Steuerelemente gesperrt. Ihre Blackmagic-RAW-Daten sind jedoch nicht verloren gegangen. Wählen Sie im Drop-down-Menü „Gamma“ einfach „Blackmagic Design Film“ oder „Blackmagic Design Extended Video“ aus und nehmen Sie Ihre Änderungen vor.

So speichern Sie Änderungen in Blackmagic RAW:

- 1 Passen Sie die Gamma-Steuerelemente Ihres Blackmagic-RAW-Clips an.
- 2 Klicken Sie auf den Button „Update Sidecar“.

Nun wird in dem Ordner mit Ihrer BRAW-Datei eine Filialdatei, sprich Sidecar-Datei, generiert. Importieren andere Nutzer die Blackmagic-RAW-Dateien, so liest DaVinci Resolve automatisch die Sidecar-Dateien. Wenn Sie weitere Änderungen vornehmen, klicken Sie erneut auf „Update Sidecar“.

TIPP Sie können eine Sidecar-Datei entfernen, indem Sie sie von ihrem Speicherort auf Ihrem Medienlaufwerk löschen.

Projekteinstellungen für Blackmagic RAW

Wenn Sie für alle Clips eine gemeinsame Einstellung ändern müssen, wie z. B. eine globale Änderung für Weißabgleich oder ISO, können Sie für Ihre Clips projektbezogene „Camera RAW“-Einstellungen vorgeben und die globalen Änderungen von hier aus vornehmen.

So geben Sie Projekteinstellungen für Blackmagic RAW vor:

- 1 Öffnen Sie das Projekteinstellungsmenü, indem Sie auf „File“ und dann auf „Project Settings“ klicken.
- 2 Neben dem Blackmagic-RAW-Profil sehen Sie im „Camera RAW“-Tab ein Menü. Um Blackmagic RAW aus der Liste auszuwählen, klicken Sie auf den Pfeil.
- 3 Wählen Sie im Menü „Decode Using“ (Dekodieren mit) die Option „Project“ (Projekt) aus.
- 4 Wählen Sie aus dem Menü eine „Color Science“-Option für die Farbverarbeitung aus
- 5 Geben Sie für „White Balance“ (Weißabgleich) „Custom“ (Benutzerdefiniert) vor.
- 6 Wählen Sie aus dem Menü für „Gamma“ die Option „Blackmagic Design Custom“ aus. Wählen Sie für „Color Space“ die Farbraum-Option „Blackmagic Design“ aus.

- 7 Wählen Sie im „Decode Quality“-Menü Ihre Auflösung aus. Mit einer geringeren Auflösung erzielen Sie auf weniger leistungsstarken Systemen eine bessere Wiedergabe. Sie haben die Flexibilität, dies später auf volle Auflösung zu ändern, um Ihr Material in der höchsten Qualität auszugeben.

Jetzt können Sie die Kameraeinstellungen wie Sättigung, Kontrast und Mitteltöne für Ihre Clips anpassen. Dies wirkt sich auf alle Clips in Ihrem Projekt aus, für die die Decodieroption „Project“ ausgewählt ist.

Farbkorrektur von Clips im Color-Arbeitsraum

Nachdem Sie Ihre Clips in die Timeline importiert und mit Titeln versehen haben, können Sie zur Farbkorrektur in den Color-Arbeitsraum übergehen. Dieser Arbeitsbereich ist überaus leistungsstark und kann den gesamten Look Ihres Films bestimmen. Für das vorliegende Beispiel empfiehlt es sich jedoch, alle Clips zu neutralisieren und sie damit einheitlich zu gestalten. Sie können jederzeit in den Cut- oder Edit-Arbeitsraum zurückkehren, um an Ihrem Edit Änderungen vorzunehmen.

Im Color-Arbeitsraum macht vor allem der Look Ihres Edits eine Veränderung durch. Die Farbkorrektur ist in vielerlei Hinsicht eine Kunstform, mit der Sie Ihrer Arbeit Ausdruck verleihen. Sie ist ein äußerst kreativer Teil des gesamten Arbeitsablaufs. Es ist sehr zufriedenstellend, diese Fähigkeit zu erlernen und zu sehen, wie die Arbeit lebendig wird. Dies ist in der Regel der erste Bearbeitungsschritt, der als primäre Farbkorrektur oder als Anpassung der Primärfarbwerte bekannt ist. Wenn die primäre Farbkorrektur steht, können Sie zur sekundären Farbkorrektur übergehen. Hier sind höchst präzise Farbanpassungen bestimmter Elemente in Ihren Bildern möglich. Dieser spaßige Teil passiert normalerweise im Anschluss an die primären Anpassungen, da dies den Arbeitsablauf effizienter macht und zu einem besseren Ergebnis führt.

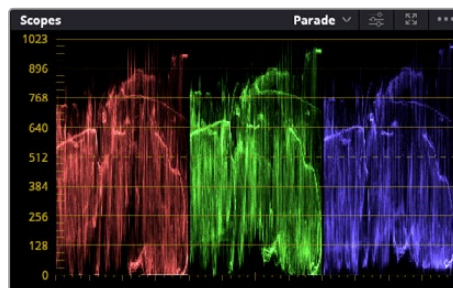
Klicken Sie zunächst auf den „Color“-Tab, um den Color-Arbeitsraum zu öffnen.

Dort finden Sie die Camera-RAW-Einstellungen, Farbräder, Kurven und generelle Farbkorrektur-Tools sowie die Fenster „Preview“ für die Vorschau und „Nodes“ für Operatoren. Lassen Sie sich von der riesigen Auswahl an Features nicht abschrecken. Mit ihnen werden Sie die großartigsten Bilder schaffen. In diesem Abschnitt lernen Sie die ersten Schritte und Grundlagen. Ausführlichere Informationen finden Sie in den entsprechenden Abschnitten des englischsprachigen DaVinci Resolve Handbuchs. Dort erfahren Sie Schritt für Schritt, wofür die Tools da sind und wie man sie benutzt. Sie erlernen dieselben Techniken, die auch Profis in Highend-Farbkorrekturstudios anwenden.

Im Rahmen der primären Farbkorrektur werden in Ihren Clips in der Regel zuerst die Pegel für Schatten, Mitteltöne und Lichter optimiert. Sie justieren also die Einstellungen für „Lift“, „Gamma“ und „Gain“ (Schatten-, Mittel- und Weißtonwerte). So bringen Sie Ihre Bilder auf einen ausgewogenen Ausgangspunkt mit optimaler Leuchtstärke und Klarheit. Von hier können Sie durch farbiges Grading einen Look für Ihren Film erarbeiten. Für Pegeloptimierung eignen sich die Scopes.

Verwenden von Scopes

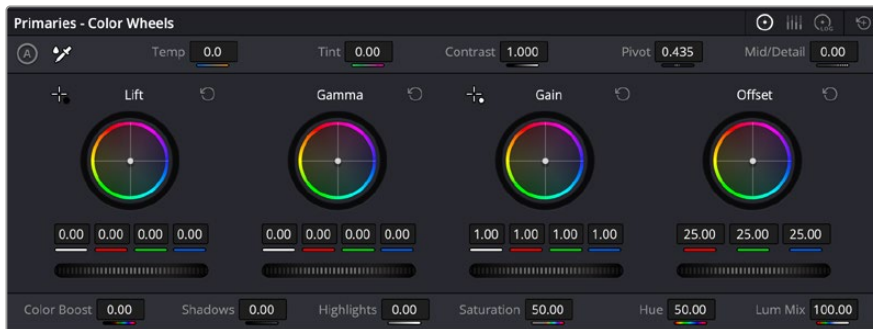
Die meisten Coloristen treffen kreative Farbentscheidungen, indem Sie sich auf die Wirkung und den Look konzentrieren, den sie ihrem Programm verleihen möchten. Mithilfe des Monitors arbeiten sie dann daran, dies umzusetzen. Sehen Sie sich alltägliche Gegenstände an, und wie unterschiedliche Lichtquellen auf sie einwirken. Sie werden erfahrener und geübter darin, was sich aus Ihren Bildern machen lässt.



Optimieren Sie anhand des Parade-Scopes die Lichter, Mitteltöne und Schatten

Ein weiterer Weg der Farbkorrektur, ist der Gebrauch von eingebauten Scopes, um Ihre Aufnahmen abzugleichen. Sie können ein einzelnes Videoskop öffnen, indem Sie auf die „Scope“-Schaltfläche klicken, die sich an zweiter Stelle von rechts im „Palette“-Menü befindet. Zur Auswahl stehen Scopes für Waveform, Parade, Vektorskop, Histogramm oder CIE-Normfarbtafel. Überprüfen Sie anhand dieser Scopes die tonale Balance und die Pegel Ihres Videos, um ein Stauchen der Schwarz- und ein Clipping der Weißwerte zu verhindern. Zusätzlich können Sie Ihre Clips auf Farbstiche untersuchen.

In der „Color Wheels“-Palette, in der sich auch die Steuerelemente für „Lift“, „Gamma“ und „Gain“ (Schatten-, Mittel- und Weißstonwerte) befinden, nehmen Sie in der Regel Ihre erste Anpassung vor. Wenn Sie Erfahrungen im Colorgrading mitbringen, werden Ihnen die Steuerelemente für Farb- und Kontrastanpassungen bekannt vorkommen.



Die Farbräder „Lift“, „Gamma“, „Gain“ und „Offset“ geben Ihnen die volle Kontrolle über die farbliche und tonale Balance Ihrer Clips. Ziehen Sie das Einstellrad unter den Farbrädern hin und her, um die Farben jedes einzelnen tonalen Bereichs einheitlich anzupassen



Die Primaries-Balken erleichtern Farbanpassungen mit der Maus.

Um die Farben mit der Maus noch akkurater zu steuern, können Sie in der „Color Wheels“-Palette von den Farbrädern „Primary Wheels“ zu den Farbbalken „Primary Bars“ wechseln. Mit ihnen lassen sich jede Farbe und jeder Luminanzkanal für Schatten, Mitten und Lichter separat einstellen. Wählen Sie hierfür im Drop-down-Menü der Farbrad-Palette „Color Wheels“ oben rechts einfach die Option „Primaries Bars“ aus.

Anpassen von „Lift“ (Schwarzöne)

Wählen Sie einen Clip in der Farb-Timeline aus und klicken Sie auf die „Lift“-Skala unterhalb des ersten Farbrads. Schieben Sie das Einstellrad vor und zurück und beobachten Sie die Auswirkungen auf Ihr Bild. Sie werden sehen, wie die Helligkeit der dunklen Bereiche Ihres Bildes zu- und abnimmt.

Stellen Sie sie so ein, dass die dunklen Bereiche optimal aussehen. Wenn Sie die Schatten zu sehr verringern, gehen womöglich Details im Schwarzbereich verloren. Dies lässt sich mithilfe des Parade-Scopes verhindern. Die optimale Position von Schwarzönen im Kurvenverlauf befindet sich direkt über der unteren Linie des Parade-Scopes.

Anpassen von „Gain“ (Weißtöne)

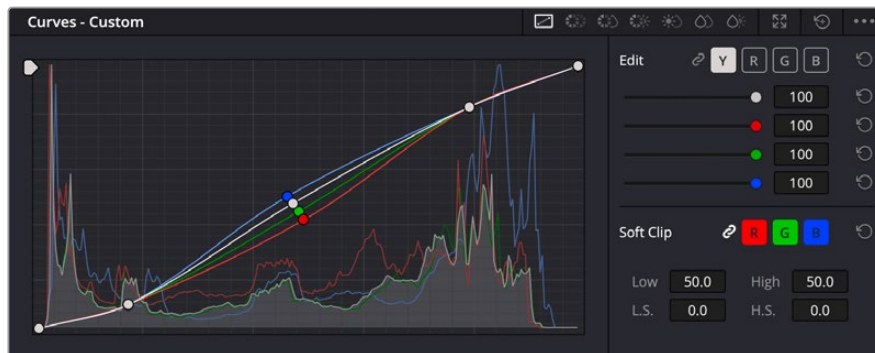
Klicken Sie auf das Einstellrad für „Gain“ und schieben Sie es hin und her. Dies justiert die Lichter, womit die hellsten Bereiche in Ihrem Clip gemeint sind. Die Lichter werden im oberen Abschnitt des Kurvenverlaufs im Parade-Scope angezeigt. Für eine gut beleuchtete Aufnahme bringt man diese am besten direkt unter die obere Linie des Waveform-Sopes. Wenn die Lichter über die obere Linie des Waveform-Sopes ausschlagen, werden sie abgeschnitten und es gehen Details in den hellsten Bereichen Ihres Bilds verloren.

Anpassen von „Gamma“ (Mitteltöne)

Klicken Sie auf das Einstellrad für „Gamma“ unter dem Farbrad und schieben Sie es hin und her. Wenn Sie die Mitteltonwerte erhöhen, sehen Sie, wie auch die Helligkeit Ihres Bilds zunimmt. Sie werden merken, dass sich beim Anpassen der Gammawerte auch der mittlere Abschnitt der Wellenform verändert. Dieser repräsentiert die Mitteltöne Ihres Clips. Im Waveform-Scope liegt die optimale Position für Mitteltöne in der Regel zwischen 50–70 Prozent. Dies ist jedoch Geschmackssache und hängt vom gewünschten Look und den Lichtverhältnissen im Clip ab.

Sie können anhand der Kurven-Feature auch primäre Farbkorrekturen vornehmen. Erstellen Sie per Klick einfach Steuerpunkte auf der diagonalen Linie im Kurvendiagramm und ziehen Sie diese nach oben oder unten, um die Haupteinstellungen des RGB-Kontrasts für verschiedene Tonwertbereiche im Bild anzupassen. Am besten lassen sich im unteren Drittel, in der Mitte sowie im oberen Drittel der Kurve liegende Punkte anpassen.

Es gibt noch viele andere Möglichkeiten der primären Farbkorrektur in DaVinci Resolve.



Die „Curves“-Palette ist ein weiteres Tool für primäre Farbkorrekturen oder um bei Verwendung eines Power Windows bestimmte Bereiche in Ihrem Clip zu optimieren

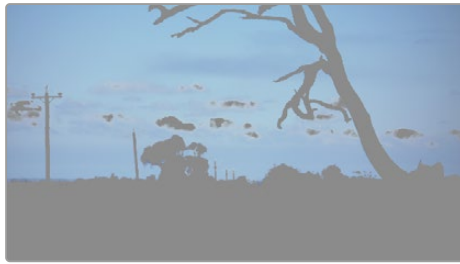
Sekundäre Farbkorrektur

Wenn Sie einen bestimmten Bereich Ihres Bildes verfeinern möchten, benutzen Sie sekundäre Farbkorrekturen. Die Anpassungen, die Sie bisher mithilfe von „Lift“, „Gamma“ und „Gain“ vorgenommen haben, haben sich auf das gesamte Bild ausgewirkt. Man bezeichnet sie daher als primäre Farbkorrekturen.

Sollen jedoch spezifische Bereiche Ihres Bilds verfeinert werden, können Sie von der sekundären Farbkorrektur Gebrauch machen, wenn Sie beispielsweise die Farbe von Gras in einer Szene verbessern oder das Blau des Himmels vertiefen wollen. Bei der sekundären Farbkorrektur wählt man einen spezifischen Bereich aus, den man dann isoliert bearbeitet. Mithilfe von Nodes lassen sich mehrere sekundäre Korrekturen übereinanderlegen. Damit können Sie einen Bereich Ihres Bildes bis zur Perfektion bearbeiten. Sie können sogar von Windows und Tracking Gebrauch machen. So kann ein ausgewählter Bereich Bewegungen in Ihren Bildern folgen.

Qualifizieren einer Farbe

Sie werden häufig feststellen, dass eine bestimmte Farbe in Ihrem Clip optimierbar ist, z. B. Gras am Straßenrand oder das Blau des Himmels. Vielleicht empfiehlt sich auch die Justierung der Farbe eines bestimmten Objekts, um die Aufmerksamkeit des Publikums darauf zu lenken. Mit dem HSL-Qualifizierer-Tool ist dies problemlos möglich.



Das Auswählen von Farben in Ihrem Bild mithilfe des HSL-Qualifizierer-Tools ist besonders dann praktisch, wenn gewisse Bereiche hervorstechen sollen. So können Sie den Kontrast erhöhen oder die Aufmerksamkeit des Publikums auf bestimmte Bereiche Ihres Shots lenken

So qualifizieren Sie eine Farbe:

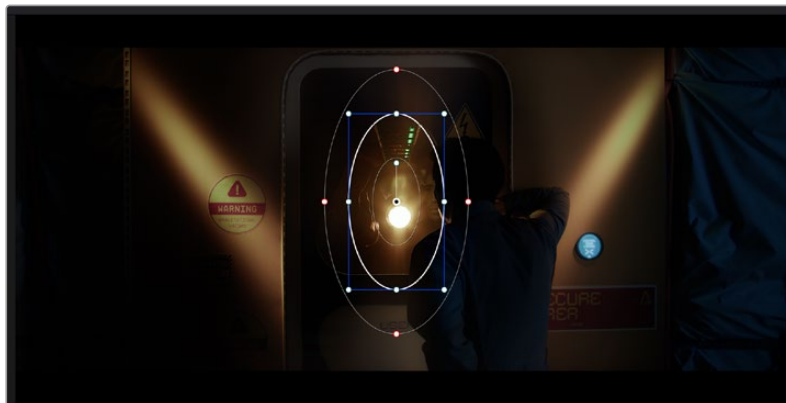
- 1 Fügen Sie einen neuen „Serial Node“ (Serieller Node) hinzu.
- 2 Öffnen Sie das Qualifizierfenster „Qualifier“ und vergewissern Sie sich, dass das Pipetten-Tool im Auswahlabschnitt „Selection Range“ ausgewählt ist.
- 3 Klicken Sie in Ihrem Clip auf die Farbe, die Sie bearbeiten möchten.
- 4 In der Regel werden Sie einige Anpassungen vornehmen müssen, um die Kanten Ihrer Auswahl weichzuzeichnen und den Bereich ausschließlich auf die gewünschte Farbe zu begrenzen. Klicken Sie über dem Viewer auf die Schaltfläche „Highlight“, um Ihre hervorgehobene Auswahl zu sichten.
- 5 Passen Sie im Farbton-Fenster „Hue“ die Bandbreite über „Width“ an und erweitern oder verengen Sie Ihre Auswahl.

Experimentieren Sie mit den Steuerelementen „High“, „Low“ und „Softness“, um Ihre Auswahl zu verfeinern. Nun können Sie Ihre ausgewählte Farbe mithilfe von Farbrädern oder benutzerdefinierten Kurven anpassen.

Es kann vorkommen, dass Ihre Auswahl in Bereiche des Bildes vordringt, die nicht einbezogen werden sollen. Sie können die unerwünschten Bereiche mühelos mit einem Power Window ausmaskieren. Erstellen Sie dazu einfach ein neues Fenster und formen es entsprechend, um lediglich den gewünschten Farbbereich auszuwählen. Wenn sich die ausgewählte Farbe in der Aufnahme bewegt, können Sie Ihr Power Window mithilfe der Tracking-Funktion verfolgen.

Hinzufügen eines Power Windows

Power Windows sind ein extrem effektives Tool für die sekundäre Farbkorrektur, das zur Isolierung bestimmter Bereiche Ihres Clips dient. Diese Bereiche müssen nicht statisch sein und lassen sich auch bei einem Kamerасhwenk oder einer Drehung sowie der Bewegung des Bereichs selbst verfolgen.



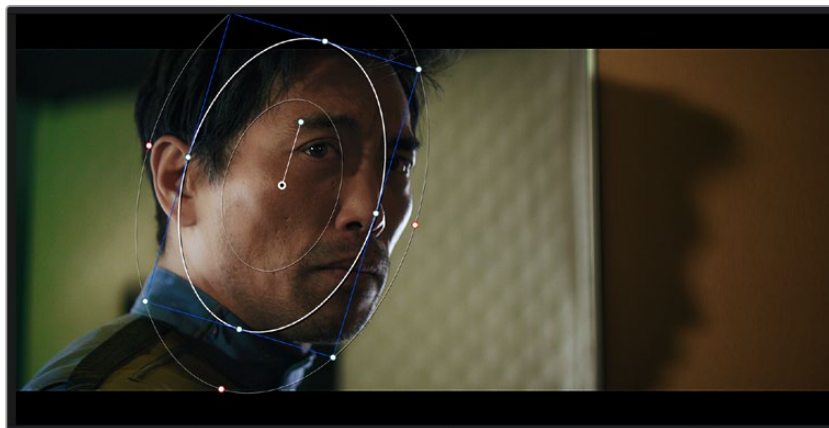
Power Windows dienen zum Ausmaskieren von Bereichen, die nicht von den sekundären HSL-Qualifizierer-Anpassungen berührt werden sollen

Zum Beispiel können Sie mithilfe eines solchen Windows die Bewegungen einer Person verfolgen, um Farb- und Kontraständerungen ausschließlich an dieser Person vorzunehmen, ohne ihre Umgebung zu beeinflussen. Mit solchen Korrekturen können Sie die Aufmerksamkeit des Publikums auf bestimmte Bereiche lenken.

So versehen Sie Ihren Clip mit einem Power Window:

- 1 Fügen Sie einen neuen „Serial Node“ (Seriellen Node) hinzu.
- 2 Öffnen Sie die „Window“-Palette und wählen Sie eine Form für Ihr Power Window aus, indem Sie auf ein Form-Icon klicken. Das Window in der gewünschten Form erscheint nun im Node.
- 3 Passen Sie die Form an, indem Sie auf die blauen Punkte klicken und diese in Form ziehen. Entlang der roten Punkte werden die Kanten weichgezeichnet. Positionieren Sie die Form, indem Sie auf den Mittelpunkt klicken und sie auf den zu isolierenden Bereich schieben. Mit dem Punkt, der mit dem Mittelpunkt verbunden ist, lässt sich das Fenster rotieren.

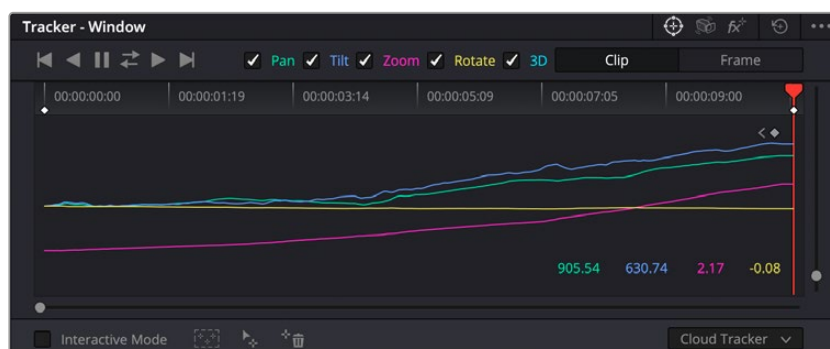
Nun können Sie Farbkorrekturen an Ihrem Bild in genau dem Bereich vornehmen, den Sie bearbeiten möchten.



Power Windows lassen Sie in bestimmten Bereichen Ihres Bildes sekundäre Korrekturen vornehmen

Tracking mit einem Power Window

Die Kamera, das Objekt oder der Bereich in Ihrer Aufnahme bewegen sich gegebenenfalls. Um sicherzustellen, dass das Power Window auf dem ausgewählten Objekt oder Bereich haften bleibt, steht Ihnen das leistungsstarke Tracking-Tool von DaVinci Resolve zur Verfügung. Der Tracker analysiert die Schwenk-, Neige-, Zoom- und Rotationsbewegung der Kamera oder des Objekts in Ihrem Clip, womit Sie Ihr Window der Bewegung anpassen. Geschieht dies nicht, erfolgt Ihre Korrektur ggf. außerhalb des vorgegebenen Zielbereichs und fällt unnötig auf, was vermutlich unerwünscht ist.



Mithilfe der Tracking-Funktion können Sie Objekte oder Bereiche in Ihrem Clip verfolgen. Power Windows folgen dann der Bewegung

So verfolgen Sie ein sich bewegendes Objekt mit einem Power Window:

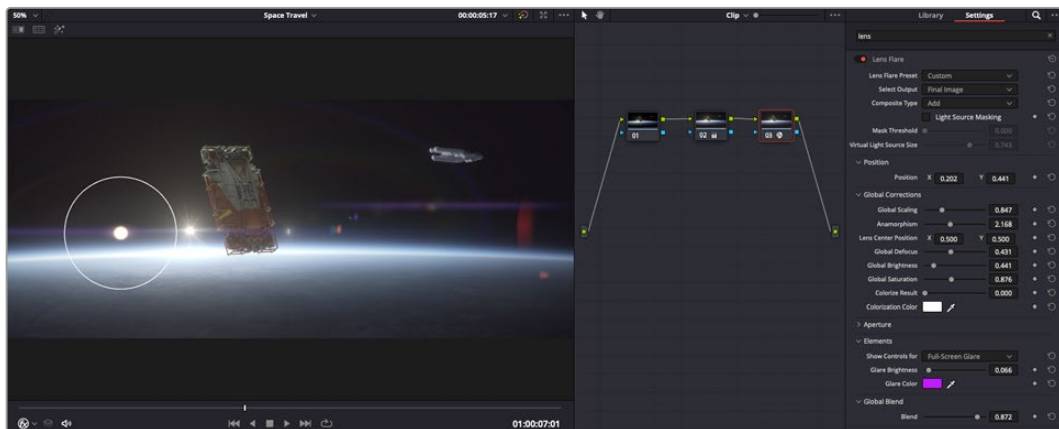
- 1 Erstellen Sie einen neuen „Serial Node“ und fügen Sie diesem ein Power Window hinzu.
- 2 Gehen Sie zum Anfang Ihres Clips, positionieren Sie ein Window auf dem gewünschten Objekt oder Bereich und passen Sie seine Größe an.
- 3 Öffnen Sie die „Tracker“-Palette. Wählen Sie die geeigneten Schwenk-, Neige-, Zoom-, Rotations- und 3D-Einstellungen für die Bewegung in Ihrem Clip aus, indem Sie in die jeweiligen Kontrollkästchen ein Häkchen setzen oder es entfernen.
- 4 Klicken Sie auf den Vorwärtspfeil links von den Dialogboxen. DaVinci Resolve wird nun ein Cluster diverser Tracking-Punkte auf Ihren Clip applizieren und sich anschließend durch die Frames arbeiten, um Bewegungen zu analysieren. Nach abgeschlossenem Tracking-Vorgang verfolgt Ihr Power Window die Bewegungen in Ihrem Clip.

Meist ist das automatische Tracking erfolgreich. In komplexen Szenen kommt es jedoch gelegentlich vor, dass ein Objekt sich an Ihrem ausgewählten Bereich vorbei bewegt und damit das Tracking unterbricht oder stört. Dies kann manuell mithilfe des Keyframe-Editors gelöst werden. Näheres dazu finden Sie im englischsprachigen DaVinci Resolve Handbuch.

Arbeiten mit Plug-ins

Während der sekundären Farbkorrektur können Sie außerdem Resolve FX- oder Open FX-Plug-ins hinzufügen. Damit lassen sich im Color-Arbeitsraum schnelle, interessante Looks und Effekte oder im Cut- oder Edit-Arbeitsraum einfallsreiche Übergänge für Ihre Clips kreieren. Resolve FX werden mit DaVinci Resolve geladen. OFX-Plug-ins können von Fremdanbietern erworben und heruntergeladen werden.

Nach erfolgter Installation eines Satzes von Open FX-Plug-ins greifen Sie auf diese OFX- oder die Resolve FX-Plug-ins über den Color-Arbeitsraum zu. Öffnen Sie hierfür den Open FX-Inspector rechts neben dem Node-Editor. Erstellen Sie zunächst einen seriellen Node. Öffnen Sie dann per Klick auf den „Open FX“-Button die Effektbibliothek und ziehen Sie ein Plug-in per Drag-and-drop auf den Node. Verfügt das Plug-in über eigene Einstellungen, können Sie diese im angrenzenden „Settings“-Menü ändern.



OFX-Plug-ins bieten eine schnelle und einfache Möglichkeit, einfallsreiche und interessante Looks zu kreieren

Im Edit-Arbeitsraum können Sie Clips mit Plug-in-Filtern, -Generatoren und Übergängen versehen, indem Sie das „Open FX“-Menü in der „Effects Library“ (Effektebibliothek) öffnen. Ziehen Sie von dort das gewünschte Plug-in auf Ihren Clip oder – je nach Anforderung des Plug-ins – auf die Spur über Ihrem Clip in der Timeline.

Tonmischen im Edit-Arbeitsraum

Sobald Sie Ihr Projekt geschnitten und farblich bearbeitet haben, können Sie mit dem Mischen von Ton beginnen. DaVinci Resolve bietet direkt im Edit-Arbeitsraum eine praktische Auswahl an Features zum Schneiden, Mixen und Mastern von Audio. Werden für Ihr Projekt noch ausgeklügeltere Audiotools benötigt, haben Sie im Fairlight-Arbeitsraum Zugriff auf eine komplette Postproduktionsumgebung für Ton. Wenn Sie bereits mit dem Edit-Arbeitsraum vertraut sind und direkt mit Fairlight weitermachen wollen, überspringen Sie den nächsten Abschnitt.

Hinzufügen von Audiospuren

Wenn Sie im Edit-Arbeitsraum arbeiten und einen elementaren Tonschnitt mit vielen Toneffekten und Musik mischen wollen, können Sie bei Bedarf mühelos weitere Audiospuren hinzufügen. Das kann praktisch sein, wenn Sie Ihren Sound bauen und Ihre Audioelemente für einen Soundmix auf unterschiedliche Spuren verteilen möchten, wie bspw. Gesang, Toneffekte und Musik.

Hinzufügen einer Audiospur im Edit-Arbeitsraum:

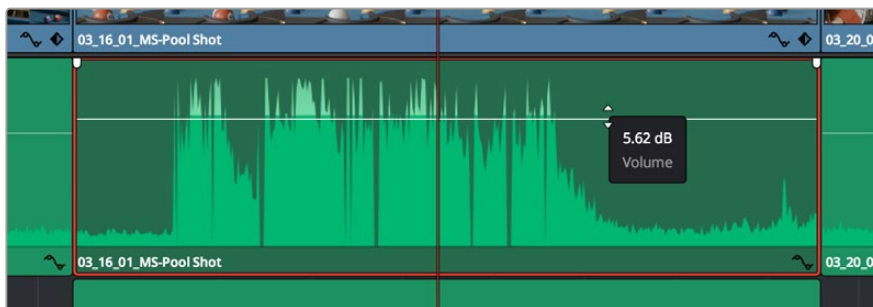
Führen Sie neben dem Namen einer Audiospur in Ihrer Timeline einen Rechtsklick aus und wählen Sie „Add Track“ sowie eine der Optionen „Mono“, „Stereo“ oder „5.1“. Dies fügt unten in der Track-Liste eine Spur hinzu. Wählen Sie alternativ „Add Tracks“ und anschließend die Position, an der eine oder mehrere neue Spuren eingefügt werden sollen.

Ihre neue Audiospur erscheint nun in der Timeline.

TIPP Wenn Sie einen Spurtyp im Nachhinein ändern möchten, wählen Sie neben dem Spurnamen per Rechtsklick den Befehl „Change track type to“ und dann aus den Optionen Stereo, Mono und 5.1 Ihre bevorzugte Option.

Anpassen von Audiopegeln in der Timeline

Jeder Audioclip hat in der Timeline sein eigenes Lautstärke-Overlay, über das Sie die Lautstärke des Clips einstellen können. Ziehen Sie den Zeiger dafür lediglich hoch oder runter. Das Overlay korreliert mit dem Lautstärkeparameter im Inspector.



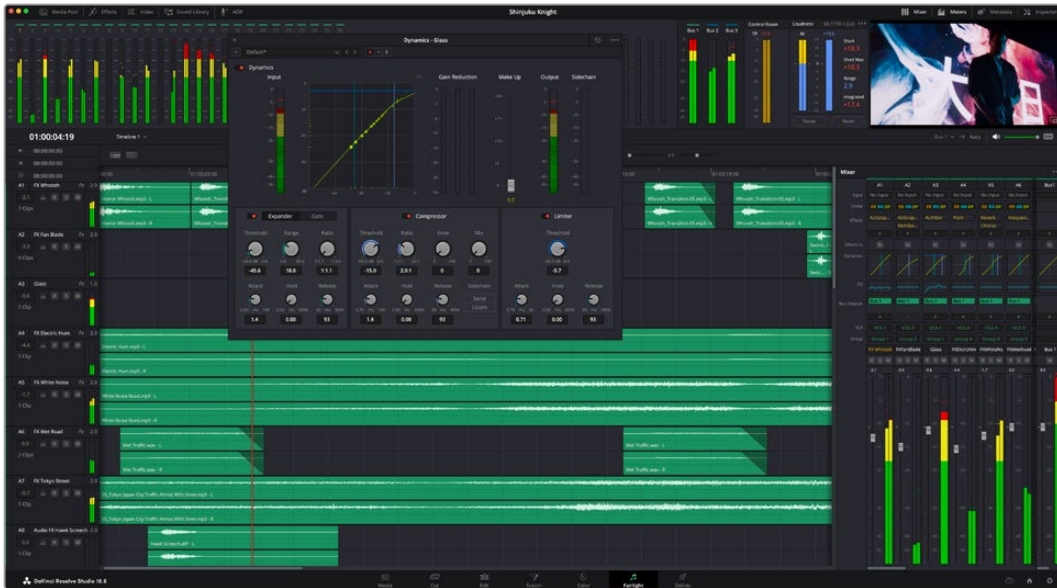
Bewegen Sie den Zeiger im Lautstärke-Overlay, um den Lautstärkepegel des Clips anzupassen

Sollten Sie für Ihr Projekt noch ausgeklügeltere Audiotools benötigen, haben Sie im Fairlight-Arbeitsraum Zugriff auf eine komplette Postproduktionsumgebung für Ton.

Der Fairlight-Arbeitsraum

Im Fairlight-Arbeitsraum in DaVinci Resolve bearbeiten Sie den Ton Ihres Projekts. Im Einzelmonitor-Modus bietet Ihnen dieser Arbeitsraum eine optimierte Übersicht über die Audiospuren Ihres Projekts. Ein erweiterter Mixer und spezielle Monitoring-Elemente vereinfachen die Evaluierung und Anpassung von Pegeln, um einen gleichmäßigen und harmonischen Mix zu kreieren. Lassen Sie sich

von der riesigen Auswahl an Features nicht abschrecken. Mit ihnen werden Sie die bestmögliche Tonqualität für Ihr Projekt erreichen.



Diese Anleitung gibt Ihnen einen grundlegenden Überblick über die Funktionen im Fairlight-Arbeitsraum. Wenn Sie mehr zu den Details einer jeden Funktion erfahren möchten, ziehen Sie das englischsprachige DaVinci Resolve Handbuch zu Rate. Das DaVinci Resolve Handbuch erklärt den Nutzen eines jeden Tools und beschreibt in leicht verständlichen Schritten, wie Sie es einsetzen.

Die Audio-Timeline

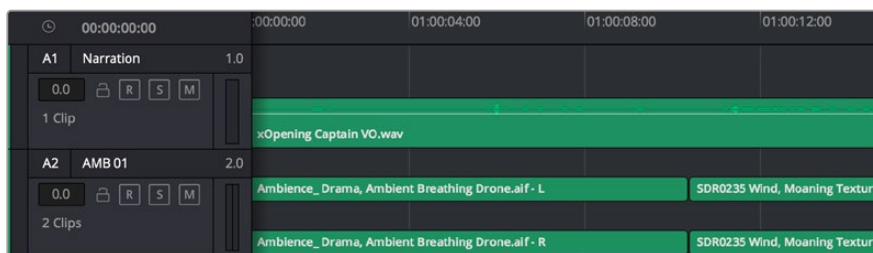
Die Audio-Timeline stellt die Audiokanäle und Spuren der aktuell aktivierten Timeline in einer Anordnung von einem Kanal pro Spur dar. Das ist ein ideales Layout zum Mischen und Verfeinern von Ton.

Spur-Header

Links neben jeder Spur befindet sich ein Spur-Header, der die Spurnummer, den Spurnamen, die Spurfarbe, Audiokanäle, Fader-Werte und Audiopegelmeter anzeigt. Die Kopfzeile enthält darüber hinaus einen Button zum Sperren und Entsperrern von Spuren sowie Solo- und Stummschalt-Buttons. Diese Steuerelemente helfen Ihnen dabei, Spuren zu organisieren und ermöglichen die Vorschau einzelner Spuren.

Spuren

Jede Spur im Fairlight-Arbeitsraum ist in Unterspuren aufgeteilt. Jede dieser Unterspuren stellt einen individuellen Kanal des Cliptons zum Schneiden und Mixen dar. Der Edit-Arbeitsraum verbirgt die individuellen Audiokanäle und zeigt stattdessen nur einen einzelnen Clip in der Timeline an. Das macht es einfacher, Mehrkanalquellen zu schneiden, ohne eine große Anzahl an Spuren verwalten zu müssen.



Der Spur-Header von Spur A1 verweist auf eine Monospur mit einer einzelnen Unterspur für Monoton. Bei Spur A2 hingegen handelt es sich um eine Stereospur für Stereoton

Was ist ein Bus?

Ein Bus ist im Grunde genommen ein Zielkanal, der aus mehreren gruppierten Audioquellen besteht. Die Spuren werden zu einem einzelnen Signal zusammengemischt, das dann auch über einen einzelnen Kanalzug steuerbar ist. Fairlight erstellt automatisch einen Bus für Sie. Alle Audiospuren in der Timeline werden standardmäßig an diesen Bus gesendet. Nachdem Sie den Pegel jeder einzelnen Spur eingestellt haben, können Sie den Gesamtpegel Ihrer Tonmischung anpassen.

Ist Ihr Schnitt etwas komplexer, können Sie mehrere Audiospuren der gleichen Kategorie wie Dialoge, Musik oder Effekte zusammenfügen. Auf diese Weise können alle Elemente derselben Kategorie als einzelnes Audiosignal gemixt werden. Beispiel: Wenn Sie fünf Dialogspuren haben, können Sie die Ausgabe aller fünf Dialogspuren in einem separaten Bus zusammenfügen. Die Pegel aller Dialogspuren lassen sich so mit einem einzelnen Satz von Steuerelementen anpassen.

Die Fairlight-Flexbus-Struktur bietet Ihnen völlige Flexibilität bei der Arbeit mit Bustypen und beim Verteilen von Signalen, einschließlich von Bus zu Bus, von Spur zu Spur und von Bus zu Spur. Weitere Informationen zu den Audiobus-Einstellungen in Fairlight finden Sie im englischsprachigen DaVinci Resolve Handbuch.

Der Mixer

Jede Audiospur in der Timeline entspricht einem individuellen Kanalzug im Mixer. Standardmäßig befindet sich rechts neben dem Main-Bus ein einzelner Kanalzug mit der Beschriftung „Bus 1“. Rechts daneben erscheinen die Kanalzüge für jeden weiteren Bus, den Sie erstellen, mit separaten Steuerelementen. Mit einem Satz grafischer Steuerelemente können Sie Ausgabekanaln Spurkanäle zuweisen, EQ und Dynamik anpassen, Pegel und Aufnahmeautomatisierung einstellen, Stereo- und Surround-Ton positionieren sowie Spuren auf Solo oder stummschalten.

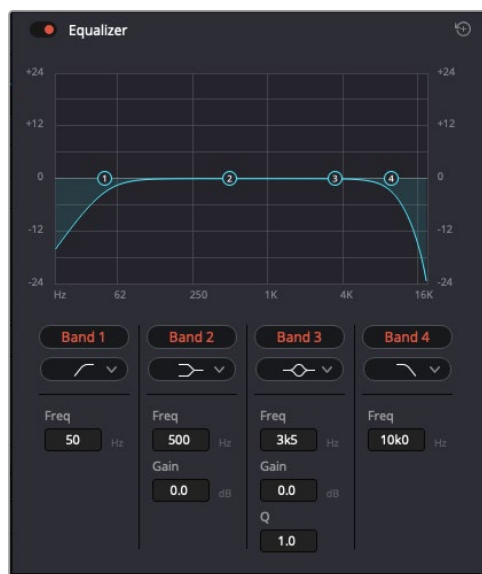


Audiomixer mit den zu den Spuren in der Timeline gehörigen Kanalzügen

Verfeinern von Audio mit dem Equalizer

Sobald die Tonpegel Ihrer Audioclips angepasst sind, stellen Sie vielleicht fest, dass der Ton weiteren Verfeinerungen bedarf. Es kann vorkommen, dass Dialoge, Musik und Soundeffekte um dieselben Frequenzen im Klangspektrum konkurrieren. Das kann dazu führen, dass der Sound aufdringlich oder unklar klingt. Hier kann der Equalizer Abhilfe schaffen, da Sie darüber jene Bereiche des Klangspektrums bestimmen können, den jede Spur für sich beansprucht. Mit einem Equalizer können Sie darüber hinaus unerwünschte Elemente aus Ihrem Audio entfernen. Das geschieht, indem Pegel in bestimmten Frequenzen, die ein Dröhnen, Surren, Zischen oder auch Windgeräusche enthalten, isoliert oder reduziert werden. Auch die allgemeine Klangqualität lässt sich damit verbessern.

DaVinci Resolve stellt EQ-Filter bereit, die auf Clipsebene für individuelle Clips oder auf Spurebene für individuelle Spuren angewendet werden können. Jeder Audioclip in der Timeline verfügt über einen 4-Band-Equalizer im Inspector-Fenster. Im Mixer-Fenster steht für jede Spur ein parametrischer 6-Band-Equalizer bereit. Mit den grafischen und numerischen Steuerelementen zum Verstärken oder Dämpfen von Frequenzbereichen sowie unterschiedlichen Filterarten lässt sich die Form der EQ-Kurve definieren.



Der 4-Band-Equalizer kann auf jeden Clip in der Timeline angewendet werden

Über die äußeren Bänder lassen sich Bandfilter mithilfe von Hi-Shelf-, Lo-Shelf-, Hi-Pass- und Lo-Pass-Filtern anpassen. Ein Pass-Filter wirkt sich auf alle Frequenzen über oder unter einem bestimmten Frequenzwert aus, da diese Frequenzen komplett aus dem Signal entfernt werden. Beispiel: Ein Hochpassfilter lässt die hohen Frequenzen passieren und stoppt die niedrigen Frequenzen. Sämtliche außerhalb der Grenzfrequenz liegenden Frequenzen werden in einer graduell abfallenden Kurve herausgeschnitten.

Ein Shelf-Filter ist weniger aggressiv und dann hilfreich, wenn Sie die oberen und unteren Frequenzbereiche eines Signals allgemein formen wollen, ohne diese Frequenzen komplett außen vor zu lassen. Der Shelf-Filter verstärkt oder dämpft die Zielfrequenz sowie alle darüber bzw. darunter liegenden Frequenzen, je nachdem, ob Sie einen High- oder einen Low-Shelf-Filter verwenden.

Mit den Steuerelementen der mittleren Bänder können Sie eine große Vielfalt an Equalizer-Anpassungen vornehmen und zwischen Low-Shelf-, Bell-, Notch- und High-Shelf-Filteroptionen hin und her schalten.

Bell

Bell-Filter verstärken oder dämpfen Frequenzen rund um den vorgegebenen Mittelpunkt einer Glockenkurve. Wie der Name schon sagt, handelt es sich dabei um eine glockenförmige Kurve.

Notch

Mit Notch-Filtern lassen sich sehr schmale Frequenzbandbreiten bearbeiten. Beispielsweise lässt sich Netzbrummen bei 50 oder 60 Hz entfernen.

Lo-Shelf

Low-Shelf-Filter verstärken oder kappen die Zielfrequenz am unteren Ende sowie alle Frequenzen, die darunter liegen.

Hi-Shelf

High-Shelf-Filter verstärken oder kappen die Zielfrequenz am oberen Ende sowie alle Frequenzen, die darüber liegen.

So versehen Sie einen einzelnen Clip mit einem EQ:

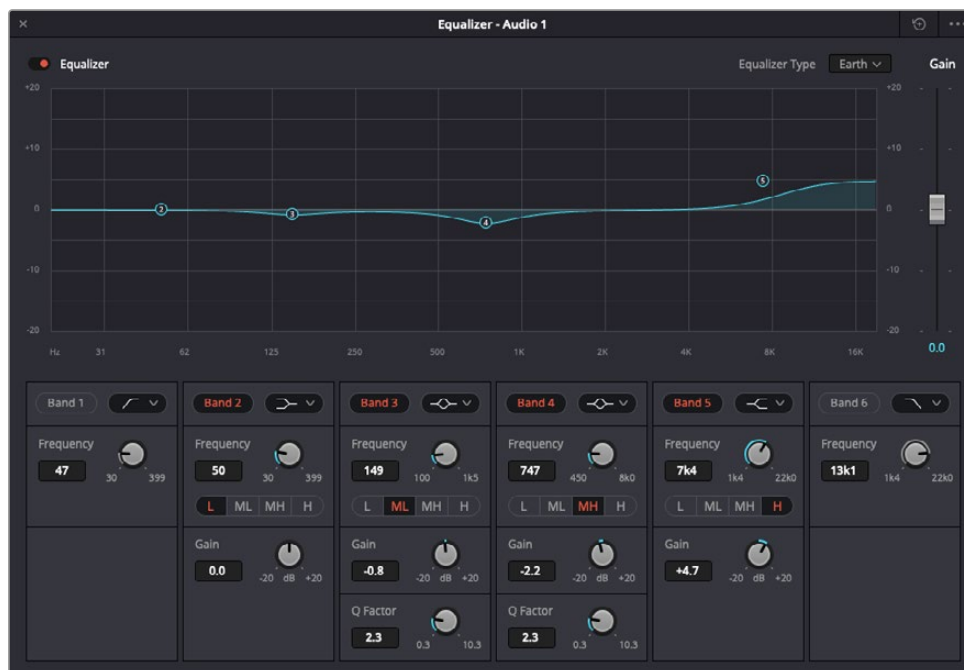
- 1 Wählen Sie den Clip, auf den Sie den EQ-Filter anwenden wollen, in der Timeline aus.
- 2 Klicken Sie dann in den Inspector und anschließend auf den Aktivierungs-Button „Equalizer“.

So versehen Sie eine Spur mit einem EQ:

- 1 Doppelklicken Sie im Mixer in das EQ-Feld einer Ihrer Spuren, um den Equalizer für diese Spur zu öffnen.
- 2 Wählen Sie im Drop-down-Menü für das anzupassende Band den Bandfilter aus.



Der EQ-Bereich im Mixer-Fenster zeigt an, dass eine EQ-Kurve zu Spur 1 hinzugefügt wurde



Parametrischer 6-Band-Equalizer, der auf jede Spur angewendet werden kann

Sobald Sie Ihren Clip oder Ihre Spur mit einem EQ versehen haben, können Sie den EQ für jedes Band anpassen. Bitte beachten Sie, dass sich die Steuerelemente je nach ausgewählter Filterart unterscheiden.

So passen Sie den EQ für einen Bandfilter an:

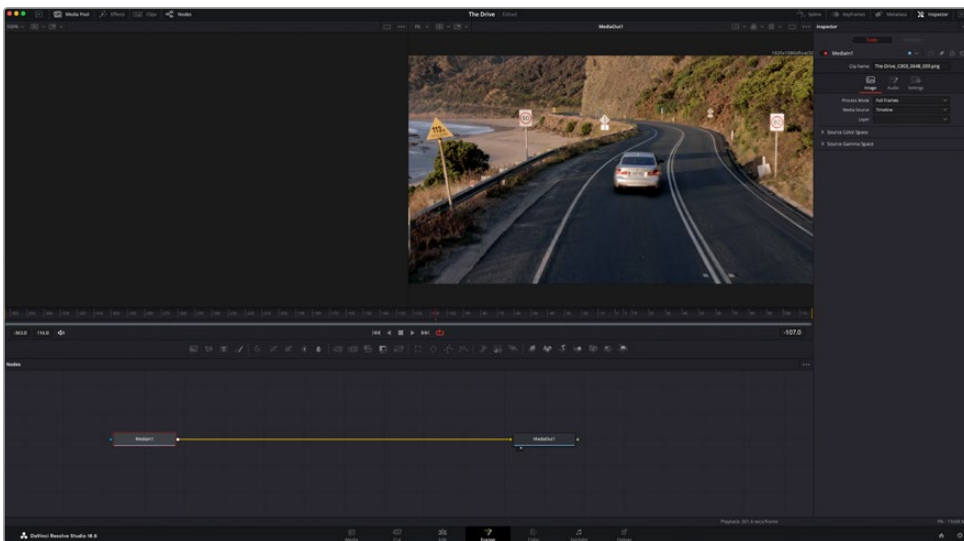
- 1 Wählen Sie im Drop-down-Menü für das anzupassende Band den Bandfilter aus.
- 2 Passen Sie den Frequenzwert „Frequency“ an, um die Mittenfrequenz für den EQ festzulegen.
- 3 Passen Sie den „Gain“-Wert an, um die von den Bändern gesteuerten Frequenzen zu verstärken oder zu dämpfen.
- 4 Geben Sie über den „Q Factor“-Wert die Bandbreite der betroffenen Frequenzen vor.

Setzen Sie mit dem Zurücksetzen-Button alle Steuerelemente im EQ-Fenster auf ihre Standardwerte zurück.

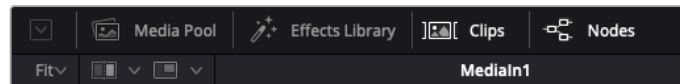
Fairlight bietet eine Vielfalt an Steuerelementen, mit denen Sie das Beste aus jeder Audiospur herausholen können. Fügen Sie Spuren hinzu, verwalten und organisieren Sie Busse und fügen Sie Effekte wie Laufzeitverzögerungen oder Hall hinzu. Oder polieren Sie Ihren Audiomix ganz allgemein auf.

Hinzufügen von VFX und Compositing im Fusion-Arbeitsraum

Nach abgeschlossenem Schnitt können Sie den Fusion-Arbeitsraum öffnen und direkt von DaVinci Resolve aus visuelle Effekte und Bewegtbilder in 2D oder 3D hinzufügen. Im Gegensatz zu ebenenbasierten Compositing-Softwares verwendet Fusion sogenannte Nodes, anhand derer Sie Bilddaten in beliebige Richtungen lenken können und so die Freiheit haben, komplexe Effekte zu bauen. Das Node-Fenster zeigt auf einen Blick alle im Laufe dieses Prozesses verwendeten Tools. Wenn Sie den Node-Workflow im Color-Arbeitsraum verwendet haben, werden Sie damit vertraut sein.



Der Fusion-Arbeitsraum bietet im oberen Bereich zwei Ansichtsfenster (Viewer) mit Transportsteuerung zum Sichten Ihrer Medien. Rechts daneben ist das Inspector-Fenster für den Zugriff auf Tool-Einstellungen. Im „Nodes“-Fenster, dem sogenannten Node-Editor, im unteren Bereich erstellen Sie Ihre Kompositionen, fachsprachlich Compositings genannt. Die Viewer und die Transportsteuerung werden immer angezeigt. Per Klick auf die Icons der Bedienoberflächen-Toolbar können Sie jedoch die Fenster „Nodes“ und „Inspector“ oder zusätzliche Fenster einschließlich der „Effects Library“ (Effektbibliothek) und Spline- und Keyframe-Editoren wahlweise aufrufen oder verbergen.



Media Pool

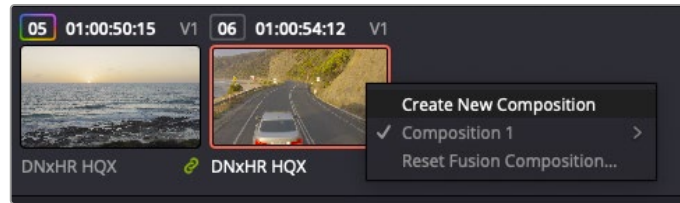
Der Media Pool funktioniert hier genauso wie im Edit-Arbeitsraum. Ziehen Sie einfach zusätzliche Medien aus Ihren Bins direkt in Ihr Compositing.

Effects Library

In der Effektbibliothek finden Sie Fusion Tools und Vorlagen, die in Kategorien wie Partikel, Tracking, Filter und Generatoren sortiert sind. Sie können Tools anklicken oder in den Node-Editor ziehen, um sie Ihrem Compositing hinzuzufügen. Der Media Pool und die Effektbibliothek sind im gleichen Bildschirmbereich verortet und man wechselt zwischen beiden hin und her. So werden die Viewer möglichst groß angezeigt.

Clip

Per Klick auf den „Clips“-Tab werden die Thumbnails für die Clips in Ihrer Timeline aufgerufen oder verborgen. Die Thumbnails sind unterhalb des Node-Editors verortet, wo Sie unmittelbar zu anderen Clips navigieren können.



Erstellen Sie eine neue Version Ihres Compositings, indem Sie ein Thumbnail anklicken und „Create New Composition“ auswählen

Viewer

Die Ansichtsfenster sind immer eingeblendet und zeigen Ihnen verschiedene Darstellungen Ihres Compositings an. Bspw. an einem 3D-Merge-Node vorgenommene Änderungen, die Kameraausgabe oder Ihre finale Rendere Ausgabe. In den Viewern können Sie auch sehen, wie Ihre Änderungen sich auf ein spezifisches Element auswirken.

Sie können die Node-Ansichten in den Viewern bestimmen, indem Sie auf einen Node klicken und „1“ für den linken und „2“ für den rechten Viewer eingeben. Der neben dem Node erscheinende weiße Punkt zeigt an, welchem der beiden Ansichtsfenster er zugewiesen ist. Bei Verwendung eines externen Videomonitors erscheint ein dritter Button, über den Sie Ihre Medien Ihrem externen Monitor zuführen können.

TIPP Alternativ können Sie einen Node einem Viewer zuweisen, indem Sie den Node direkt in den Viewer ziehen.

Mithilfe der unter den Ansichtsfenstern angezeigten Transportsteuerung können Sie zum Anfang oder Ende eines Clips springen, ihn vor- oder rückwärts abspielen oder seine Wiedergabe anhalten. Das Zeitlineal zeigt den gesamten Clipbereich an, wobei die In- und Out-Punkte mit gelben Markern versehen sind.



Die gelben Marker auf dem Zeitlineal zeigen die In- und Out-Punkte Ihres Clips in der Timeline an. Wenn Sie einen Fusion Clip oder Compound Clip verwenden, sehen Sie auf dem Zeitlineal nur die Dauer des Clips wie er in der Timeline erscheint, d. h. ohne Handles

Nodes

Das „Nodes“-Fenster, der sogenannte Node-Editor, ist das Herz des Fusion-Arbeitsraums. Dort bauen Sie Ihren Node-Baum, indem Sie Tools und den Ausgang eines Nodes mit dem Eingang eines anderen verknüpfen. Die Größe dieses Bereichs variiert je nachdem, welche Editoren geöffnet sind,

bspw. der Spline- oder Keyframe-Editor. Die Toolbar direkt über dem Node-Editor bietet schnellen Zugriff auf häufig benutzte Tools.

Spline

Der geöffnete Spline-Editor wird rechts vom Node-Editor eingeblendet. Mit diesem Editor können Sie präzise Anpassungen an einzelnen Nodes vornehmen, bspw. um die Animation zwischen zwei Keyframes mithilfe von Bézier-Kurven zu glätten.

Keyframes

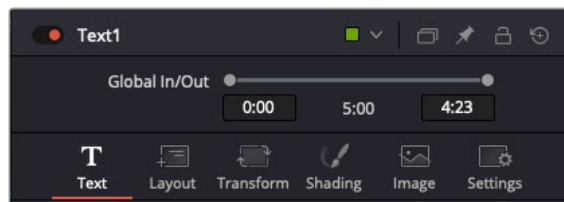
Anhand des Keyframe-Editors kann man jedes Tool mit Keyframes versehen, diese entfernen oder modifizieren. Auch dieser Editor wird rechts vom „Nodes“-Fenster eingeblendet.

Metadaten

Im Metadatenfenster werden Ihnen die für einen aktiven Clip verfügbaren Metadaten wie Codec, Framerate und Timecode angezeigt.

Inspector

Der „Inspector“ oben rechts auf der Bedienoberfläche zeigt alle für eine oder mehrere aktive Nodes verfügbaren Einstellungen und Modifier an. Dort werden auch zusätzliche, nach Kategorie sortierte Tab-Optionen für schnellen Zugriff eingeblendet.

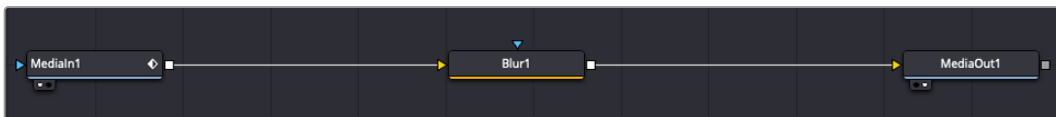


Der Text-Inspector bietet zusätzliche Tabs für Text, Layout, Transform, Shading, Bild und Einstellungen

Erste Schritte mit Fusion

Um mit Fusion loszulegen, platzieren Sie den Abspielkopf auf irgendeinen Clip in Ihrer Timeline. Öffnen Sie dann den Fusion-Arbeitsraum per Klick auf den „Fusion“-Tab.

Im Fusion-Arbeitsraum ist Ihr Clip dann in Form eines als „MediaIn“ gekennzeichneten Medieneingabe-Nodes sofort verfügbar. Jedes Compositing beginnt mit einem „MediaIn“- und einem „MediaOut“-Node. Dieser „MediaIn“-Node stellt den obersten Clip in Ihrer Timeline dar und ignoriert alle darunter liegenden Clips. Sämtliche im Edit-Arbeitsraum am Clip vorgenommenen Änderungen werden einbezogen. Bspw. an Transform-Tools oder ausgewählten Bildausschnitten.



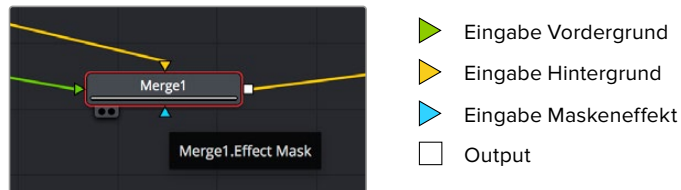
Der als „MediaOut“ gekennzeichnete Medienausgabe-Node sendet die Ausgabe zurück in die Timeline des Edit-Arbeitsraums von DaVinci Resolve

TIPP Resolve FX- oder OFX-Plug-ins, mit denen Clips im Cut- oder Edit-Arbeitsraum versehen wurden, werden im Fusion-Arbeitsraum nicht angewendet. Das liegt daran, dass Fusion Effekte bereits vor der Farbkorrektur und vor den OFX/Resolve FX verarbeitet werden. Wenn Sie OFX in der Verarbeitungskette vor Fusion Effekten anwenden wollen, klicken Sie im Edit-Arbeitsraum auf den Clip und wählen Sie „New Fusion Clip“ aus. Klicken Sie erst dann auf den Tab für den Fusion-Arbeitsraum.

Nodes verstehen

Man kann sich einen Node als ein visuelles Icon vorstellen, das ein einzelnes Tool oder einen Effekt darstellt. Nodes werden mit anderen Nodes verknüpft und so wird durch Hinzufügen von Elementen eine Gesamtkomposition gebaut. Es ist wichtig, die Ein- und Ausgänge der einzelnen Nodes zu verstehen. Das hilft Ihnen bei der Gestaltung von detaillierten visuellen Effekten, den Fluss Ihres Compositings zu navigieren.

Manche Tools verfügen über mehrere Ein- und Ausgänge, die sich mit anderen Nodes verknüpfen lassen. So können Sie einen Merge-Node bspw. mit einem Vordergrundeingang, einem Hintereingang und einem Maskeneingang für Matten und Keys koppeln.

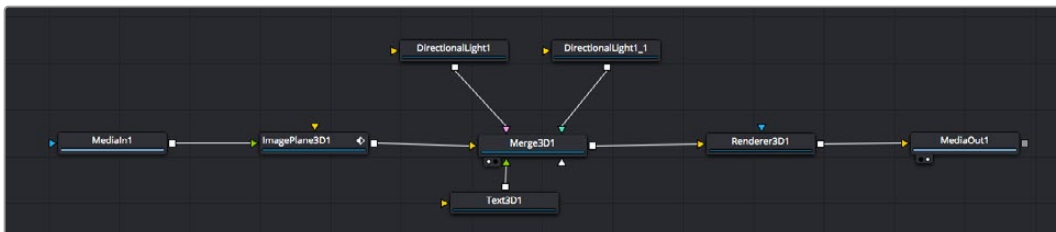


Demnach kann ein einzelner Node mit mehreren Ausgängen an mehrere verschiedene Nodes in Ihrem Compositing geknüpft werden. Anders als mit einer ebenenbasierten Software brauchen Sie diese Clips nicht zu duplizieren. Die Verbindungslinien zwischen Nodes sind mit Pfeilen versehen, die die Richtung des Bilddatenflusses illustrieren.

Hinzufügen von Nodes in den Node-Editor

Effekte kann man ganz einfach hinzufügen, indem man Nodes auf die Verbindungslinie zwischen die „MediaIn“- und „MediaOut“-Nodes setzt.

Dafür gibt es mehrere alternative Methoden. Sie können einen Node mit gedrückter Shift-Taste zwischen zwei Nodes einsetzen. Alternativ klicken Sie auf den Node, an den Sie einen Effekt anknüpfen möchten, und wählen das gewünschte Tool aus. Der neue Node wird automatisch mit dem ausgewählten Tool verbunden. Sie können einen Node auch irgendwo im Node-Editor hinzufügen und die Nodes manuell verknüpfen, indem Sie den Ausgang des einen zum Eingang des anderen Nodes ziehen.



Der 2D- oder 3D-Merge-Node ist das meistgebrauchte Tool. Dieser Node fungiert als Drehscheibe, der Tools im Node-Editor in einen einzelnen Ausgang zusammenführt

Der Merge-Node verfügt über Steuerelemente für die Handhabung der Eingänge, einschließlich von Attributen wie Größe, Position und Mix. Auf all diese Einstellungen greift man bei Auswahl des Merge-Nodes im Fenster „Inspector“ zu.

Die gebräuchlichsten Tools sind als Icons in der Toolbar aufgereiht. Um einem Node ein Tool hinzuzufügen, klicken Sie auf sein Icon oder ziehen Sie es in den Node-Editor. Um alle verfügbaren Tools zu sichten, klicken Sie oben links auf „Effects Library“ und erweitern die Option „Tools“. Dort finden Sie alle Tools nach Kategorie sortiert sowie einen Satz vorgefertigter „Templates“. Diese Vorlagen können Sie bspw. als Blendeneffekte, Shader und Hintergründe verwenden.

TIPP Sobald Ihnen die Werkzeugnamen vertraut sind, können Sie das Auswahlmü „Select Tools“ aufrufen, indem Sie bei gedrückter Shift-Taste die Leertaste Ihrer Tastatur drücken. Beim Eintippen des Werkzeugnamens wird Ihnen das relevante Tool aus dem Menü vorgeschlagen. So wählt man das gewünschte Tool sehr schnell aus.

Anpassen von Nodes mit dem Inspector

Passen Sie Ihre Node-Einstellungen im „Inspector“-Fenster an. Klicken Sie einfach den zu modifizierenden Node an, damit sich das Fenster aktualisiert und es die Einstellungen und Steuerelemente des Nodes anzeigt.

Mit Fusion brauchen Sie den aktuell bearbeiteten Node nicht zu sichten, da Sie einen Node modifizieren können, während Ihnen ein anderer in Ihrem Compositing angezeigt wird. Beispiel: Sie können die Größe und die mittige Platzierung eines „Text“-Nodes ändern, während der Merge-Node im Viewer angezeigt wird. Dies lässt Sie den Text im Bezug auf den Hintergrund sichten.



Ausgewählte Nodes sind rot umrandet. Der Inspector zeigt unter „Layout“ die Tabs mit den Steuerelementen für den Text-Node an

Die unterschiedlichen Parameter und Einstellungen können Sie für jeden Node je nach Aufgabe anpassen. Sei dies die Größenvorgabe, das Zentrieren der Platzierung oder eine Änderung an der Anzahl von Partikeln eines Emitter-Nodes. Durch die Vorgabe von Keyframes und Einstellungen, die sich über einen Zeitverlauf ändern, wird der Effekt animiert.

Arbeiten mit Keyframes

Setzen Sie vom „Inspector“-Fenster aus einen Keyframe, indem Sie einen Rechtsklick auf einer Einstellung ausführen und im Kontextmenü „Animate“ auswählen. Das Keyframe-Icon rechts neben der Einstellung erscheint nun in Rot. Dies besagt, dass der Keyframe jetzt aktiviert ist und jede von Ihnen vorgenommene Änderung nur auf den aktuellen Frame angewendet wird. Werden zwei oder mehr Keyframes erstellt, indem die Einstellungsparameter eines anderen Frames geändert werden, wird dazwischen ein Übergang interpoliert. Anhand der Pfeile rechts und links vom Keyframe-Icon können Sie den Abspielkopf auf der Timeline genau an diese Positionen bewegen.



Hier wurde die Keyframe-Animation „Size“ mit einer Bézierkurve geglättet. Um die Kurve zu kürzen oder zu verlängern, klicken Sie die Bézier-Ziehpunkte an. Um die Keyframe-Platzierung zu ändern, klicken Sie die rechteckigen Keyframe-Icons an

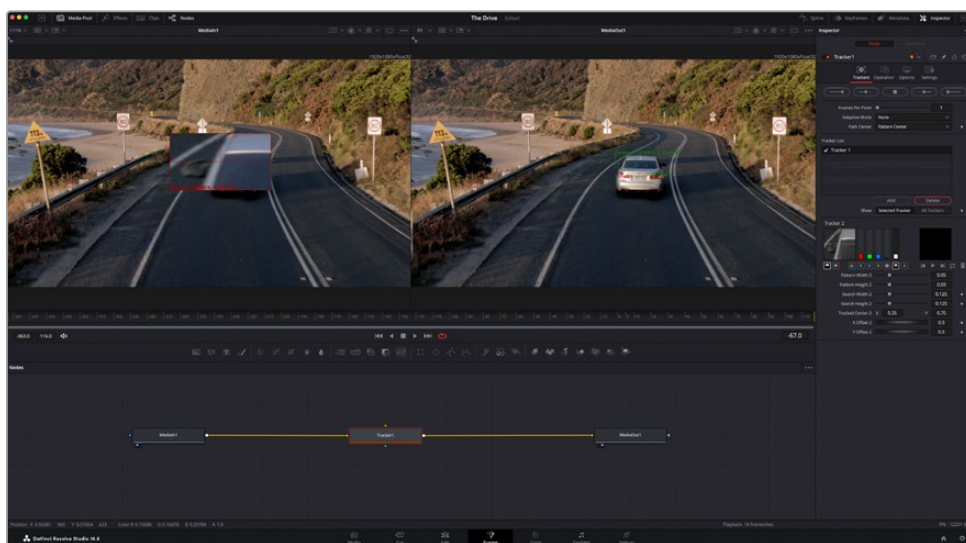
Die Freiformkurve im „Spline“-Fenster gibt Ihnen noch mehr Kontrolle über Ihre Keyframe-Animation. Wählen Sie damit Keyframes aus, bspw. den ersten und letzten, und glätten Sie die Animation dazwischen anhand einer Bézierkurve. Drücken Sie hierfür Shift und die S-Taste oder rechtsklicken Sie auf einen Keyframe und geben Sie „Smooth“ vor.

Mit dem Motion Tracker arbeiten und Text hinzufügen

Die folgenden Beispiele sollen Ihnen den Einsatz von Fusion besser verständlichen. Sie veranschaulichen, wie Sie anhand des Tracker-Werkzeugs ein Element in einem Clip verfolgen und wie Sie dieses Element unter Verwendung der Trackingdaten mit Text versehen.

Der Tracker verfolgt die Pixel entlang der X- und Y-Achsen. Anhand der so generierten Daten können Sie an ein Element weitere anknüpfen. Das ist ideal, wenn Sie die Position von Text an die Bewegung eines Objekts anpassen wollen, bspw. an ein fahrendes Auto oder an einen durch das Bild fliegenden Vogel.

- 1 Wählen Sie in der „Effects Library“ das „Tracking“-Tool aus und ziehen Sie es auf die Linie zwischen die „MediaIn“- und die „MediaOut“-Nodes. Klicken Sie jetzt auf den Tracker-Node, um seine Eigenschaften im Inspector zu öffnen.
- 2 Tippen Sie auf Ihrem Keyboard „1“, um den Tracker-Node im linken Viewer zu sichten. Nun erscheint der Clip mit dem Tracker an seiner standardmäßigen Position im Viewer. Bewegen Sie den Mauszeiger über den Tracker bis der Tracker-Ziehpunkt erscheint. Klicken Sie oben links auf den Tracker-Ziehpunkt und ziehen Sie den Tracker auf den zu verfolgenden Bereich in Ihrem Clip. Hochkontrastige Bereiche lassen sich gut verfolgen, bspw. die Kühlerfigur eines Autos. Für extra Präzision vergrößert der Tracker den betroffenen Bildbereich.
- 3 Klicken Sie im Inspector auf den „Track Forward“-Button, um mit dem Tracking zu beginnen. Nach abgeschlossenem Tracking erscheint ein Hinweisfenster. Klicken Sie auf OK.

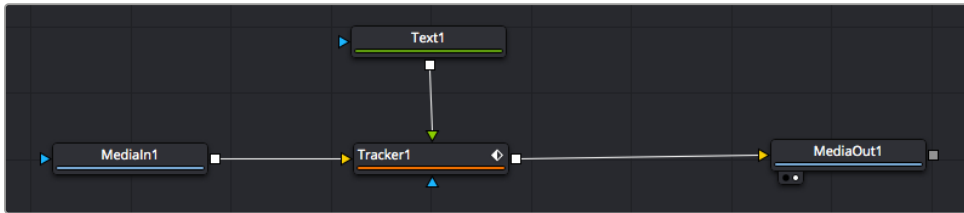


Die im Inspector verfügbaren Tracking-Möglichkeiten umfassen u. a. das Rückwärts-Tracking vom letzten oder vom aktuellen Frame oder das Anhalten am bzw. Vorwärts-Tracking vom aktuellen Frame oder vom ersten Frame

TIPP Das Rückwärts- oder Vorwärts-Tracking vom aktuellen Frame aus bietet sich für Situationen an, in denen der betroffene Bereich mitten im Renderabschnitt verschwindet. Bspw. wenn sich ein Auto oder ein Vogel aus dem Bild herausbewegt. Dies gestattet es, nur die relevante Footage zu verfolgen.

Nun können Sie die Trackingdaten des Bewegungspfads auf ein Text-Tool anwenden.

- 4 Klicken Sie in der Toolbar mit den gängigen Nodes auf den „Text“-Node und ziehen Sie diesen in das „Nodes“-Fenster in die Nähe des Tracker-Nodes. Verbinden Sie das kleine Ausgaberechteck „Text“ mit dem grünen Vordergrundeingang am „Tracker“-Node.



- 5 Klicken Sie auf den „Tracker“-Node und tippen Sie „1“, um das Merge-Ergebnis im linken Ansichtsfenster zu betrachten. Klicken Sie im Inspector im Feld „Tracker“ auf den „Operations“-Tab. Klicken Sie auf das Menü neben „Operation“ und wählen Sie „Match Move“ aus.
- 6 Klicken Sie auf den „Text“-Node, um seine Eigenschaften im Inspector zu öffnen. Tippen Sie Ihren Text in das Textfeld und ändern Sie entsprechend Ihres Compositings die Art, Farbe und Größe der Schrift.

Auf diese Weise werden die Trackingpositionsdaten Ihres Trackers auf den Text angewendet. Um per Offset eine versetzte Platzierung des Textes zu bewirken, klicken Sie im Inspector auf den „Trackers“-Tab. Modifizieren Sie die Platzierung dort anhand der X- und Y-Scrollräder.



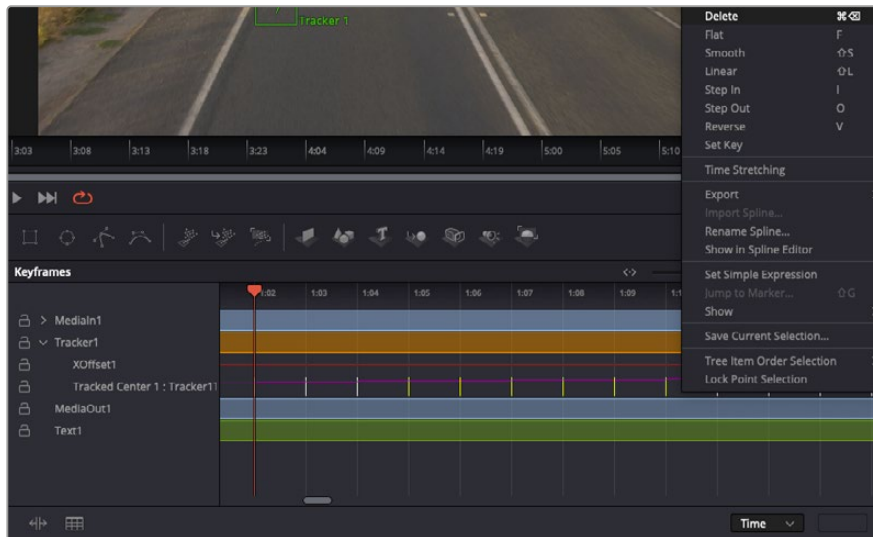
Die Scrollräder unten im Tracker-Fenster des Inspectors dienen zum Anpassen der Offset-Platzierung von Text

Wird das Compositing jetzt wiedergegeben sehen Sie, wie der Text an Ihrem getrackten Objekt haftet.



Das grüne Quadrat zeigt die aktuelle Tracker-Position entlang des grünen Pfads an, und die rote gestrichelte Linie steht für die zur Textanimation benutzte Offset-Position

Bei manchen Shots werden Sie nach abgeschlossenem Tracking vermutlich die Tracking-Punkte entfernen wollen. Bspw. wenn Ihr verfolgtes Objekt vom Bildschirm verschwindet. Mit dem Keyframe-Editor ist das ein einfacher Vorgang.



- 7 Öffnen Sie den Keyframe-Editor, indem Sie über dem Inspector auf den „Keyframes“-Tab klicken. Man erkennt Nodes, die einen Keyframe enthalten, an einem kleinen Pfeil neben dem Node-Label. In der Liste unten erscheinen nur die Parameter mit zugefügten Keyframes. Klicken Sie auf das Vergrößerungssymbol und ziehen Sie ein Kästchen um den zu bearbeitenden Bereich. Dies zoomt in den Bereich hinein und lässt Sie die Keyframes besser erkennen.
- 8 Bewegen Sie den Abspielkopf an den Standort des letzten gewünschten Keyframes. Wählen Sie jetzt die zu entfernenden Keyframes aus, indem Sie mit Ihrer Maus ein Rechteck um diese herum ziehen. Die Keyframes werden nun gelb markiert. Führen Sie einen Rechtsklick aus und wählen Sie zum Löschen im Menü „Delete“ aus.

TIPP Wenn Ihre Effekte das System stark belasten, können Sie im Bereich der Transportsteuerung per Rechtsklick die Viewer-Optionen einblenden. Dort gibt es bspw. die Proxy-Wiedergabe, mit der Sie beim Erstellen von Compositings das Beste aus Ihrem System herausholen. Weitere Einzelheiten zu allen Wiedergabeoptionen finden Sie im englischsprachigen DaVinci Resolve Handbuch.

Ihr erstes Compositing mit einem animierten Text, das einer Bewegung in Ihrer Footage folgt, ist nun vollbracht!

Um einen Bereich in Ihrem Bild mit einer planen Fläche zu verfolgen, den Sie verbessern oder ersetzen möchten, steht der Planar-Tracker zur Verfügung. Die 2D-Flächenverfolgung ist praktisch, um in einem bewegten Bild bewegte Beschriftungen und Schilder zu ändern. Man kann damit sogar ein Bild auf einen in Ihrer Footage erscheinenden Monitor oder TV-Bildschirm setzen.

Einzelheiten zum Planar-Tracker und zu den vielen leistungsstarken Werkzeugen in DaVinci Resolves Fusion-Arbeitsraum finden Sie im englischsprachigen DaVinci Resolve Handbuch.

TIPP Beim Erstellen Ihrer visuellen Effekte im Fusion-Arbeitsraum sollten Sie klären, ob es sich um 2D- oder 3D-Effekte handelt, um zu entscheiden welches Merge-Tool verwendet wird. Es kann gut sein, dass Sie in einem Compositing häufig sowohl 2D- als auch 3D-Effekte kombinieren. Bedenken Sie dabei, dass jeder im 3D-Raum erstellte visuelle Effekt erst als 2D-Bild gerendert werden muss, bevor er in ein 2D-Compositing eingefügt werden kann.

Wir wünschen Ihnen viel Vergnügen beim Erkunden von Fusion und seinen VFX zusammen mit der geballten Power von DaVinci Resolves Edit-, Color- und Fairlight-Arbeitsräumen. Mit so vielen mächtigen Tools in greifbarer Nähe, kennt die Umsetzung Ihrer Ideen in DaVinci Resolve keine Grenzen mehr.

Mastern Ihres Schnitts

Jetzt, da Sie Ihren Edit bearbeitet, visuelle Effekte hinzugefügt und Ihren Ton gemischt haben, möchten Sie ihn bestimmt mit anderen teilen. Per „Quick Export“ über den entsprechenden Button oder die Menüauswahl können Sie Ihren Timeline-Content als eigenständige Datei oder in einer Vielzahl von Formaten ausgeben, oder weitere im Deliver-Arbeitsraum verfügbare Features verwenden.



Der Export Ihres Schnitts erfolgt im Deliver-Arbeitsraum. Sie haben die Wahl zwischen vielen verschiedenen Videoformaten und Codecs

Quick Export

Per „File“ > „Quick Export“ können Sie Ihr Programm schnell von jedem Arbeitsraum in DaVinci Resolve ausgeben. Verwenden Sie dazu eines von diversen Export-Presets. Die Option „Quick Export“ ermöglicht auch das Exportieren und Hochladen Ihres Programms an einen unterstützten Video-Sharing-Dienst wie YouTube, Vimeo, Twitter und Frame.io.

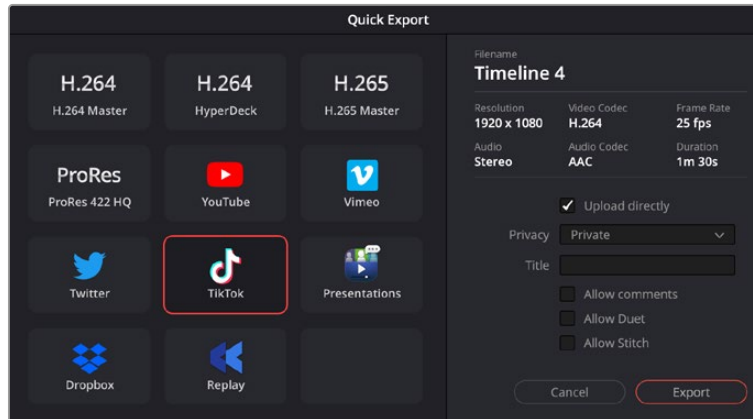
So verwenden Sie Quick Export:

- 1 Setzen Sie wahlweise im Cut-, Edit-, Fusion- oder Color-Arbeitsraum In- und Out-Punkte in der Timeline, um in Ihrem aktuellen Programm eine Sequenz für die Ausgabe zu bestimmen. Werden keine In- und Out-Punkte vorgegeben, dann wird die gesamte Timeline exportiert.

Wählen Sie in der Menüleiste „File“ > „Quick Export“.

- 2 Wählen Sie im Fenster „Quick Export“ unter den Symbolen ein Preset aus. Soll gleichzeitig ein Upload auf ein Online-Konto erfolgen, klicken Sie auf „Sign in“, um sich anzumelden. Aktivieren Sie das Kontrollkästchen „Upload directly“ und geben Sie die Details ein. Klicken Sie auf „Export“.
- 3 Wählen Sie einen Verzeichnisort aus, geben Sie im Export-Fenster einen Dateinamen ein und klicken Sie auf „Save“. Ein Fenster mit Fortschrittsbalken erscheint, um die Exportdauer anzuzeigen.

HINWEIS Um direkt auf Online-Konten wie TikTok hochzuladen, können Sie sich alternativ mit Ihren DaVinci Login-Daten anmelden. Diese Einstellungen finden Sie in DaVinci Resolve unter „Preferences“ auf dem „System“-Tab.



Laden Sie Ihr Projekt beim Exportieren direkt auf TikTok hoch, indem Sie das Kontrollkästchen „Upload directly“ anklicken und die Details eingeben

Der Deliver-Arbeitsraum

In diesem Arbeitsraum wählen Sie die zu exportierenden Clips aus. Zusätzlich können Format, Codec und die gewünschte Auflösung eingestellt werden. Sie können in diversen Formaten wie QuickTime, AVI, MXF und DPX exportieren und zwar unter Verwendung der folgenden Codecs: 8 Bit oder 10 Bit unkomprimiertes RGB/YUV, ProRes, DNxHD, H.264 und mehr.

So exportieren Sie einen einzelnen Clip Ihres Schnitts:

- 1 Klicken Sie auf den Tab „Deliver“, um den Deliver-Arbeitsraum zu öffnen und Ihr finales Projekt zu exportieren.
- 2 Gehen Sie links oben im Arbeitsraum zum Fenster „Render Settings“ mit den Rendereinstellungen. Für den Export haben Sie eine Reihe von Presets zur Auswahl, bspw. Presets für YouTube, Vimeo und Ton. Oder Sie erstellen eigene Export-Einstellungen, indem Sie diese auf dem standardmäßigen Preset „Custom“ belassen und Ihre Parameter eingeben. Hier ein Beispiel: Wählen Sie YouTube, klicken Sie auf den Pfeil neben dem Preset und anschließend auf das Videoformat 1080p.
Die Framerate wird durch die in den Projekteinstellungen angegebene Framerate bestimmt.
- 3 Unterhalb der Presets sehen Sie den Timeline-Dateinamen und den Zielort für Ihr exportiertes Video. Klicken Sie auf den Button „Browse“ und bestimmen Sie den Ort, an dem die exportierte Datei gespeichert werden soll. Wählen Sie dann aus den Renderoptionen „Single Clip“.
- 4 Im Optionsfeld unmittelbar über der Timeline ist „Entire Timeline“ vorgegeben. Dies bedeutet, dass die gesamte Timeline exportiert wird. Sie können jedoch auch nur einen Bereich der Timeline festlegen, wenn Sie möchten. Wählen Sie „In/Out Range“ und bestimmen Sie mithilfe der Shortcuts „I“ und „O“ die In- und Out-Points in Ihrer Timeline.
- 5 Klicken Sie unten in den Render-Einstellungen „Render Settings“ auf die Schaltfläche „Add to Render Queue“.

Ihre Render-Einstellungen werden dann der Render-Warteschleife rechts im Arbeitsraum hinzugefügt. Klicken Sie jetzt lediglich auf „Start Render“ und verfolgen Sie den Fortschritt in der Warteschleife.

Nach abgeschlossenem Rendern können Sie den ausgewählten Ordner öffnen, auf Ihren Clip klicken und Ihren fertiggestellten Schnitt ansehen.

Sie verfügen nun über Grundkenntnisse zu Schnitt, Farbe, Vertonung und visuellen Effekten. Wir empfehlen Ihnen, mit DaVinci Resolve zu experimentieren, um diese Fähigkeiten zu vertiefen. Weitere Informationen zu Einzelheiten und wie Sie mit Funktionen das Beste aus Ihrem Projekt herausholen, finden Sie im DaVinci Resolve Handbuch.

In DaVinci Resolve Studio können Sie mit Ihrem Cintel Scanner gescanntes Filmmaterial mit folgenden „Resolve FX Revival“-Plug-ins restaurieren. Die leistungsstarken Tools dienen zur Rauschreduzierung und zum Reparieren von Kratzern und Makel und helfen dabei, andere sichtbare Schäden und Artefakte aus Ihren Filmclips zu entfernen.

Automatische Schmutzentfernung

Mithilfe von Verfahren für optischen Fluss findet und repariert das Plug-in „Automatic Dirt Removal“ zeitlich instabile Staubpartikel, Schmutz, Haare, Bandübergänge und andere unerwünschte Artefakte, die sich für die Dauer von ein oder zwei Frames bemerkbar machen. Alle Reparaturen werden unter Beibehaltung von strukturell durchgängigem Detail im zugrundeliegenden Einzelbild vorgenommen, was eine hochwertige Restaurierung des Bildes erzielt. Erfreulicherweise ist dieses Plug-in trotz seiner technischen Komplexität recht einfach anzuwenden. Um seine Wirkung zu sehen, ziehen Sie das Plug-in auf eine Einstellung, passen die Parameter für optimale Resultate an und lassen es wirken.



Links das Originalbild, rechts das Bild nach automatischer Schmutzentfernung

HINWEIS Weniger wirksam ist dieses Plug-in für vertikale Kratzer, die sich in gleicher Position über mehrere Frames erstrecken. Ganz und gar ineffektiv ist es, wo sich eine verschmutzte Linse auf eine gesamte Einstellung auswirkt.

Die wichtigsten Steuerelemente

Mit diesen primären Steuerelementen bestimmen Sie, wie viel Schmutz aus dem Bild entfernt wird.

Motion Est. Type

Bietet die Wahl zwischen „None“ (Keine), „Faster“ (Schneller), „Normal“ und „Better“ (Besser). Hierbei werden Leistung und Bildqualität gegeneinander abgewogen.

Neighbor Frames

Über diese Einstellung geben Sie vor, wie viele benachbarte Frames bei der Schmutzerkennung verglichen werden sollen. Je mehr Frames verglichen werden, umso länger dauert der Vorgang. In der Regel werden so aber auch mehr Schmutzpartikel und Artefakte gefunden.

Repair Strength

Mit diesem Schieberegler geben Sie das Ausmaß der Reparatur für gefundene Schmutzpartikel und Artefakte vor. Mit niedrigeren Einstellungen wird weniger gründlich repariert und es gehen ggf. Kleinigkeiten durch, die nicht unbedingt Schmutz sind. Bei höheren Einstellungen wird jedoch alles eliminiert, was gefunden wird.

Dirt Size Threshold

Mit diesem Schieberegler geben Sie vor, wie groß ein Schmutzpartikel sein soll, um entfernt zu werden. Ein hoher Wert schließt Aspekte wie Filmkörnung aus dem Vorgang aus, lässt aber unter Umständen kleinere Verschmutzungen durch.

Show Repair Mask

Anhand dieses Kontrollkästchens können Sie ermittelte Schmutzstellen und Artefakte alleinstehend anzeigen und die Wirksamkeit beim Verfeinern der Filtereinstellungen beurteilen.

Steuerelemente für die Feinjustage

Mit diesen Steuerelementen können Sie einen Effekt feinabstimmen, um Schmutz erfolgreich zu entfernen, und zugleich die ursprüngliche Zeichnung im Bild zu bewahren.

Motion Threshold

Mit diesem Schieberegler geben Sie den Grenzwert vor, ab dem bewegte Pixel als Schmutz oder Artefakte behandelt werden sollen. Bei niedrigeren Werten mag mehr Schmutz von der Korrektur unberührt bleiben, es entstehen aber auch weniger Bewegungsartefakte. Bei höheren Werten wird mehr Schmutz entfernt, wobei sich in Footage mit Kamera- oder Subjektbewegungen allerdings ggf. auch die Bewegungsartefakte mehren.

Edge Ignore

Mit diesem Schieberegler schließen Sie aus, dass sich das Entfernen von Schmutz oder Artefakten auf harte Kanten im Bild auswirkt. Höhere Werte lassen mehr Kanten unberührt.

Reparieren von Hotpixeln

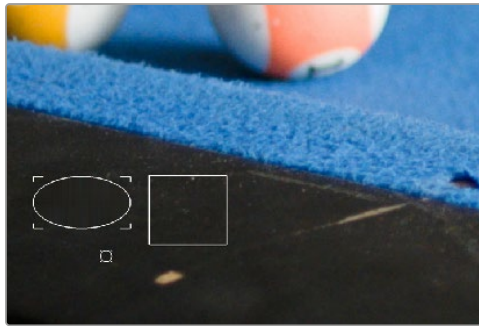
Wenn in Clips vom Scanner oder in importierten Bildern ein oder mehrere Pixel an einer Stelle festsitzen und eine bestimmte Farbe oder Helligkeit aufweisen, können Sie sie mithilfe eines Filters in DaVinci Resolve reparieren. Der Filter dient dazu, tote oder festsitzende Pixel mit Patches zu versehen, um sie im Bild erkenntlich zu machen. Dann können Sie diese Fehler unter Einsatz verschiedener Methoden beheben.

In vieler Hinsicht ähnelt der Reparaturfilter dem „Dust Buster“-Effekt. Letzterer ist jedoch darauf ausgelegt, flüchtige Staub- und Schmutzpartikel zu reparieren, die nur ein oder zwei Frames lang bestehen. Der Filter dient hingegen für Flecken, die für die Dauer eines ganzen Clips an der gleichen Stelle auftreten.

So reparieren Sie Hotpixel:

- 1 Wenden Sie den Filter namens „Dead pixel fixer“ an und aktivieren Sie im Viewer die OFX-Onscreen-Steuerelemente.
- 2 Wählen Sie in den Filtereinstellungen „Place Patch“ und klicken Sie dann auf jedes zu reparierende Pixel. Sie können auf eine beliebige Stelle im Bild klicken, um so viele Patches wie gewünscht zu platzieren.

Zum Verschieben von Patches ziehen Sie sie einfach an eine andere Stelle. Nicht mehr benötigte Patches entfernen Sie per Option-Klick.



Mehrere Patches zum Entfernen von toten Pixeln

Beim Platzieren mehrerer Patches können Sie einzelne Patches anklicken, um Einstellungen anzupassen. Jedes Patch kann seine eigenen Einstellungen haben.

Allgemein

Mit den Steuerelementen auf der obersten Ebene geben Sie die Form eines Patches zum Entfernen von Makel vor und ob ihre Bildschirmsteuerung angezeigt wird oder nicht und wie.

Patch Style

Um verschiedene Makelarten in den Frames anzugehen, können Sie drei verschiedene Arten von Patches zeichnen.

Draw Rect

Per Klicken und Ziehen von einer Ecke zur gegenüberliegenden zeichnen Sie ein beliebig großes rechteckiges Patch. Nachdem Sie eine Form gezeichnet haben, klicken Sie irgendwo auf dem Rand des Overlays und verschieben es an eine neue Position.

Draw Ellipse

Per Klicken und Ziehen von einer Ecke zur gegenüberliegenden zeichnen Sie ein beliebig großes elliptisches Patch. Nachdem Sie eine Form gezeichnet haben, klicken Sie irgendwo auf dem Rand des Overlays und verschieben es an eine neue Position.

Place Patch

Ermöglicht das Platzieren kleiner Patches speziell für winzige Details wie Hotpixel. Bei Auswahl dieser Option erscheint der Schieberegler „New Patch Size“, mit dem Sie die Größe Ihrer zu platzierenden Patches im Voraus anpassen können. Klicken Sie in Ihrer gezeichneten Form irgendwo auf einen Rand des Patches und ziehen Sie es an eine neue Position.

„New Patch Size“ bei Auswahl von „Place Patch“

(Nur bei aktivierter Option „Place Patch“). Hierüber geben Sie die Größe eines mit dem Patch-Tool erstellten Patches vor.

Show Patches

Mit diesem Kontrollkästchen können Sie die Patch-Linien im Viewer ein- oder ausblenden.

Hide During Interaction

Verbirgt alle Patch-Linien im Viewer beim Bewegen eines Patches. So sieht man den Effekt der Bewegung im Bild, ohne dass die Konturen Bereiche verdecken.

Patch Type

Es gibt drei Methoden, mit denen Sie versuchen können, den Inhalt einer Patch-Auswahl zu reparieren. Beim Zeichnen einer neuen Patch-Auswahl bestimmt die aktuelle Patch-Art die Form der nächsten Patch-Auswahl. Mit dem Verändern der Patch-Art verändert sich auch die Funktionsweise einer bereits vorhandenen Patch-Auswahl.

Spatial

Füllt das Innere eines ausgewählten Patches automatisch mit Pixeln aus umliegenden Bereichen mithilfe der Füllmethode. Das funktioniert gut für kleine Mängel. Bei großflächigen Unreinheiten erscheint möglicherweise ein den Effekt beeinträchtigendes Muster.

Clone

Der Clone-Modus kopiert eine Bildpartie, mit der eine Form oder ein Patch zum Überdecken eines zu entfernenden Objekts gefüllt werden soll. In diesem Modus wird durch Klicken und Ziehen ein Rechteck oder eine Ellipse über eine Unvollkommenheit gezeichnet. Ein zweiter Klick platziert den geklonten Bereich. Der erste Klick erstellt die Patch-Auswahl. Ein zweiter Klick platziert den gesampelten Bereich. Per Klick auf eine bestehende Form oder Patch-Auswahl im Clone-Modus kann man den geklonten Bereich neu positionieren. Der Auswahlbereich wird anhand einer gestrichelten Linie dargestellt, die mit der ursprünglichen Form verbunden ist.

Blend Clone

Funktioniert ähnlich wie der Clone-Modus. Allerdings wird die kopierte Bildpartie, mit der das Rechteck, die Ellipse oder das Patch gefüllt wird, zur sanfteren Integrierung mit dem Bild verschmolzen.

Fill Method

Bei Einsatz des Modus „Spatial Patch Type“ bestimmt diese Methode, wie eine Unreinheit im Bild repariert wird.

Grid

Sampelt Pixel um das Rechteck, die Ellipse oder das Patch herum und verwischt sie horizontal und vertikal nach innen hin. Extrem effektiv für winzige Unreinheiten. Bei größeren Unreinheiten kann ein gitterartiges Muster entstehen.

Horizontal

Sampelt Pixel links und rechts des Rechtecks, der Ellipse oder des Patches und verschmilzt sie nach innen hin.

Vertical

Sampelt Pixel oberhalb und unterhalb des Rechtecks, der Ellipse oder des Patches und verwischt sie nach innen hin.

Patchy

Sampelt Pixel aus dem Gesamtbereich um das Rechteck, die Ellipse oder das Patch. Der Modus vergrößert und verwischt das Pixelsample, um zum Reparieren einer Unreinheit einen geschmeidigen, uneinheitlichen Bereich zu erzeugen. Erzeugt kein Muster wie bei der Füllmethode „Grid“, sondern liefert ein äußerst geschmeidiges Ergebnis.

Smooth

Verwendet zum Reparieren des Makels den Weichzeichner „Gaussian Blur“.

Patch-Optionen

Mit diesen Optionen können Sie die Patch-Art zum Überdecken einer Unreinheit selbst wählen.

Mute

Ermöglicht Ihnen das Ein- oder Ausschalten eines bestimmten Patches mittels Keyframes. Nützlich für Unreinheiten, die nur in einigen Pixeln einer Aufnahme auftreten.

„Variability“ für räumliche Patches

Indem Sie die „Variability“-Parameter höher ansetzen, erzielen Sie Füllergebnisse mit mehr Variationen.

Soft Edges

Lässt Sie Patch-Kanten weicher gestalten.

Size Adjust

Lässt Sie die Größe eines Patches nach seiner Erstellung verändern.

Advanced Controls

Mit diesen Optionen können Sie die Benutzeroberfläche eines Effekts individualisieren.

Clone Sticks to Mouse

Wenn diese Funktion aktiviert ist, wird beim Zeichnen oder Platzieren eines Rechtecks, einer Ellipse oder eines Patches im Modus „Clone“ oder „Blend Clone“ direkt auf die Positionierung eines Sample-Abschnitts umgeschaltet. Das beschleunigt den Prozess.

New Patches Stay Selected

Wenn diese Funktion aktiviert ist, bleiben Patches nach dem Zeichnen für weitere Anpassungen ausgewählt.

UI Line Thickness

Lässt Sie bestimmen, wie dick Linien auf dem Bildschirm dargestellt werden.

Patches Stick to

Mit diesem Parameter können Sie Hotpixel oder Makel in stabilisierten Clips reparieren.

Source

Platzierte Patches verbleiben an ihrem Platz, es sei denn, Sie wenden die Bewegungsstabilisierung auf eine Einstellung an. In diesem Fall wandern Patches mit dem Bild mit und bleiben mit der im Quellclip ausgewählten Funktion verknüpft.

Scene

Zur Beseitigung von Unreinheiten in bewegten Objekten können Sie das zu reparierende Objekt mit dem FX-Tracker verfolgen, damit das Patch mit ihm mitläuft.

Output Mode

Zeigt einen zu erstellenden Patch-Effekt in verschiedenen Darstellungen. Es gibt vier Optionen:

Patched Result

Zeigt das Endergebnis für Patches, die einen Makel per Überdecken reparieren.

Patch Locations

Stellt Patches weiß auf schwarzem Hintergrund dar, um ihre Position anzuzeigen.

Differences

Stellt den Unterschied zwischen Patches und dem Originalbild dar.

Difference Magnitude

Stellt Unterschiede differenzierter dar.

Deflicker

Das Plug-in „Deflicker“ dient der Flimmerreduzierung in mit Flackerbeleuchtung aufgezeichneten Clips mit Zeitraffer, in Aufnahmen mit Neonlicht, in Filmarchivmaterial sowie von bestimmten Banding-Effekten auf Videobildschirmen, wenn Material auf mehreren Kameras mit uneinheitlichen Verschlusszeiten aufgezeichnet wurde. Der Filter ist vor allem in zweierlei Hinsicht vorteilhaft. Erstens wirkt er sich nur auf schnelle, kurzfristig instabile Beleuchtungsveränderungen aus und zweitens ist er in der Lage, ausschließlich jene Bildpartien mit Flimmereffekten zu bearbeiten, ohne andere Bildbereiche zu berühren. Folglich korrigiert dieses Plug-in viele der Probleme, die einst als nicht lösbar galten.



Links das Originalbild, rechts das mit der Option „Fluoro Light“ entflimmerte Bild

Die wichtigsten Parameter

Im oberen Abschnitt dieses Plug-ins erscheint standardmäßig ein einzelner Steuerbefehl, der in den meisten Fällen ausreicht.

Deflicker-Einstellungen

Bei den oberen beiden Einstellungen „Timelapse“ und „Fluoro Light“ (Zeitraffer und Neonlicht) handelt es sich um Presets zum Entfernen von zwei unterschiedlichen Flimmerartefakten. Sollten die Presets nicht so wirksam wie erhofft sein, gibt es unter „Advanced Controls“ weitere für dieses Plug-in charakteristische Optionen namens „Temporal NR“ (Temporale Rauschreduzierung), die weitere Feinadjustierungen ermöglichen.

Temporal NR

Diese Regler sind standardmäßig ausgeblendet und werden erst durch Aktivierung der Option „Advanced Controls“ in den „Deflicker“-Einstellungen sichtbar. Mit ihnen bestimmen Sie, wie Bewegung in einer Szene erkannt werden soll. So lässt sich Flimmern relativ zur Bewegung von Personen und Objekten innerhalb eines Frames angemessen angehen.

Frames Either Side

Bestimmt die Frameanzahl für die Bewegungsanalyse. Höhere Werte sind nicht unbedingt besser. Auch hier hängt der geeignetste Wert von der Szene ab. Der Standardwert beträgt 3.

Mo.Est. Type

Bestimmt die Methode, mit der DaVinci Resolve im Bild Bewegung erkennt. Die Wirksamkeit der verfügbaren Optionen hängt stark von der jeweiligen Szene ab. Die Einstellung „Faster“ (Schneller) ist weniger rechenintensiv, aber auch weniger präzise. Sie kann bei der Bearbeitung detaillierter Bilder jedoch von Vorteil sein, weil sie für die Einstellung „Better“ (Besser) zu komplex wären. Die Bearbeitung mit „Better“ (Besser) ist präziser, aber rechenintensiver. Die Option „Better“ bearbeitet auch sehr feine Details, was aber gelegentlich Probleme verursachen kann. Keine der beiden Optionen erlaubt die Deaktivierung der Bewegungsanalyse. Für Szenen ohne jegliche Bewegung mag diese in der Regel schnellere Methode ausreichen. „Better“ (Besser) ist die Standardeinstellung.

Motion Range

Mit den Einstellungen „Small“, „Medium“ und „Large“ (Klein, Mittel und Groß) legen Sie die Bewegungsgeschwindigkeit für einen Frame fest, der aufgefunden werden soll.

Luma Threshold

Der Luminanz-Schwellenwert legt die obere Grenze fest, ab der Helligkeitsänderungen nicht als Flimmern gelten. Der Wertebereich liegt zwischen 0 und 100. Ein Nullwert bedeutet keine Flimmerreduzierung. Bei 100 wird das Flimmern bildübergreifend reduziert. Der Standardwert beträgt 100.

Chroma Threshold

Der Chrominanz-Schwellenwert legt die obere Grenze fest, ab der Farbtonänderungen nicht als Flimmern gelten. Der Wertebereich liegt zwischen 0 und 100. Ein Nullwert bedeutet keine Flimmerreduzierung. Bei 100 wird das Flimmern bildübergreifend reduziert. Der Standardwert beträgt 100.

Gang Luma Chroma

Lässt Sie entscheiden, ob Sie die Schieberegler für Luminanz- und Chrominanz-Schwellenwerte gleichschalten wollen oder nicht.

Motion Threshold

Der Bewegungsschwellenwert bestimmt, welche Bewegungen nicht als Flimmern gelten.

Speed Optimization Options

Diese Option ist standardmäßig ausgeblendet. Im aktivierten Zustand sind zwei Einstellungen verfügbar:

Kontrollkästchen für „Reduced Detail Motion“

Standardmäßig aktiviert, reduziert diese Einstellung den Umfang der Details, die zur Flimmererkennung analysiert werden sollen. Oftmals bringt diese Einstellung keine sichtbaren Unterschiede, beschleunigt aber das Verarbeitungstempo. Deaktivieren Sie diese Einstellung, wenn feine Details in Ihrem Clip zu stark abgeschwächt werden.

Kontrollkästchen für „Limit Analysis Area“

Die Aktivierung dieser Option blendet in Ihrem Bild einen Rahmen ein, mit dem Sie die Flimmerreduzierung auf eine bestimmte Bildpartie beschränken können. Diese Option ist in zwei Situationen nützlich: Zum einen, wenn ein einzelner von Flimmern betroffener Bildabschnitt isoliert und folglich schneller bearbeitet werden soll. Zum anderen, wenn ein Bildabschnitt erfolgreich korrigiert wird, dies jedoch in anderen Partien eine zu starke Flimmerreduzierung hervorruft.

Restore Original Detail After Deflicker

Diese Option ist standardmäßig ausgeblendet. Im aktivierten Zustand sind zwei Einstellungen verfügbar:

Schieberegler für „Detail to Restore“

Ermöglicht das zügige Freistellen von Körnung, feinen Details und scharfen Kanten, um sie aus der Flimmerreduzierung auszuschließen und präzise zu bewahren.

Kontrollkästchen für „Show Detail Restored“

Im aktivierten Zustand werden die durch den Detail-to-Restore-Schieberegler erkannten und verwendeten Kanten sichtbar und die Feinabstimmung erleichtert.

Output

Über das „Output“-Menü legen Sie die Flimmerreduzierung für Ihre Ausgabe fest. Dies dient der Fehlerbehebung in problematischen Clips. Es gibt folgende Einstellungen:

Deflickered Result

Das finale, korrigierte Ergebnis. Dies ist die Standardeinstellung.

Detected Flicker

Mit dieser Option bekommen Sie von Flimmern betroffene Bildpartien in Form einer Maske angezeigt. Auf diese Weise lässt sich leichter beurteilen, ob auch fehlerfreie Bildabschnitte von der Bearbeitung betroffen werden. Der Effekt dieser Maske ist sehr dezent.

Magnified Flicker

Diese Option erzeugt eine absichtlich übertriebene Darstellung der Maske „Detected Flicker“, um den Deflicker-Plug-in-Effekt deutlicher sichtbar zu machen.

Dust Buster

Dieses Plug-in dient zum Entfernen von Staub, Schmutz, sonstigen Unvollkommenheiten und Artefakten aus Clips. Es wirkt aber nur für Clips, bei denen das „Automatic Dirt Removal“-Plug-in keine zufriedenstellenden Ergebnisse geliefert hat, und muss vom Benutzer gesteuert werden. Sie greifen ein, indem Sie alle Frames eines Clips durchlaufen und Unvollkommenheiten, die entfernt werden sollen, mit einem Rechteck versehen. Wenn Sie ein Rechteck gezeichnet haben, wird der Schönheitsfehler automatisch möglichst nahtlos eliminiert. Das funktioniert gut für Schmutz und Staub, aber auch für ziemlich große Flecken und Kleckereien, wie unten abgebildet.



Links im Originalbild sind die Schmutzstellen von einem Rechteck umgeben, rechts dasselbe Bild mit angewendetem „Dust Buster“-Plug-in

Der Vorgang zum Entfernen von Staub und Schmutz ähnelt der Reparatur von toten Pixeln. Allerdings dient der „Dust Buster“-Effekt speziell zur Reparatur von unregelmäßig auf einem oder zwei Frames auftretenden Staub- und Schmutzpartikeln. Hotpixel zu reparieren ist anders, da sie im gesamten Clip auftreten.

Allgemein

Mit den Steuerelementen auf der obersten Ebene geben Sie die Form eines Patches zum Reparieren von temporal instabilen Staub- und Schmutzpartikeln vor sowie ob und welche Bildschirmsteuerung angezeigt werden soll oder nicht.

Navigation Controls

Die Navigationssteuerung besteht aus Schaltflächen, mit denen Sie zu den Frames springen, in denen Sie Patches gezeichnet haben. Es gibt vier Schaltflächen:

First Modified Frame

Rückt den Abspielkopf zum ersten Frame des Clips mit einem Patch.

Previous Modified Frame

Rückt den Abspielkopf zurück zum vorherigen Frame des Clips mit einem Patch.

Next Modified Frame

Rückt den Abspielkopf vorwärts zum nächsten Frame mit einem Patch.

Last Modified Frame

Rückt den Abspielkopf rückwärts zum nächsten Frame mit einem Patch.

Patch Style

Um verschiedene Makelarten in den Frames anzugehen, können Sie drei verschiedene Arten von Patches zeichnen.

Draw Rect

Klicken und fahren Sie mit der Maus von einer Ecke zur gegenüberliegenden, um ein beliebig großes rechteckiges Patch zu zeichnen. Klicken Sie in Ihrer gezeichneten Form irgendwo auf dem Rand des Overlays und verschieben Sie es an eine neue Position.

Draw Ellipse

Klicken und fahren Sie mit der Maus von einer Ecke zur gegenüberliegenden, um ein beliebig großes elliptisches Patch zu zeichnen. Klicken Sie in Ihrer gezeichneten Form irgendwo auf dem Rand des Overlays und verschieben Sie es an eine neue Position.

Place Patch

Ermöglicht das Platzieren kleiner Patches speziell für winzige Details wie Hotpixel. Bei Auswahl dieser Option erscheint der Schieberegler „New Patch Size“, mit dem Sie die Größe Ihrer zu platzierenden Patches im Voraus anpassen können. Klicken Sie in Ihrer gezeichneten Form irgendwo auf einen Rand des Patches und ziehen Sie es an eine neue Position.

„Size“ bei Auswahl von „Place Patch“

(Nur bei aktivierter Einstellung „Place Patch“). Hierüber geben Sie die Größe eines mit dem Patch-Tool erstellten Patches vor.

Show Patches

Mit diesem Kontrollkästchen können Sie die Patch-Linien im Viewer ein- oder ausblenden.

Hide During Interaction

Verbirgt alle Patch-Linien im Viewer beim Bewegen eines Patches. So sieht man den Effekt der Bewegung im Bild, ohne dass die Konturen Bereiche verdecken.

Patch Type

Es gibt sechs Methoden, mit denen Sie versuchen können, den Inhalt einer Patch-Auswahl zu reparieren. Beim Zeichnen einer neuen Patch-Auswahl bestimmt die aktuelle Patch-Art die nächste Patch-Auswahl. Mit dem Verändern der Patch-Art verändert sich auch die Funktionsweise einer vorhandenen Patch-Auswahl.

Auto

Der automatische Modus ist der Standard. Nachdem Sie einen Begrenzungsrahmen gezeichnet haben, werden zwei Frames vor und zwei Frames nach dem aktuellen Clip analysiert und mit dem aktuellen Bild verglichen. Auf der Grundlage der besten dieser fünf Frames wird dann die Unvollkommenheit aus dem aktuellen Bild gesampelt. Bilder, die zwei Frames entfernt liegen, werden – sofern für den Inhalt des aktuellen Frames geeignet – priorisiert, um den Eindruck von fixiertem Filmkorn zu verhindern.

+/- 1 Frame

In diesem Modus geben Sie mit einem von links nach rechts gezeichneten Begrenzungsrahmen vor, dass die Unvollkommenheit auf dem nächsten Frame basierend entfernt wird. Mit einem von rechts nach links gezeichneten Begrenzungsrahmen geben Sie vor, dass der vorhergehende Frame benutzt wird.

+/- 2 Frames

Mit einem von links nach rechts gezeichneten Begrenzungsrahmen geben Sie vor, dass die Unvollkommenheit auf den beiden folgenden Frames basierend entfernt wird. Mit einem von rechts nach links gezeichneten Begrenzungsrahmen geben Sie vor, dass das Bild zwei Frames zurück benutzt wird.

Spatial

Füllt das Innere eines ausgewählten Patches automatisch mit Pixeln aus umliegenden Bereichen mithilfe der Füllmethode. Das funktioniert gut für kleine Mängel. Bei großflächigen Unreinheiten erscheint möglicherweise ein den Effekt beeinträchtigendes Muster.

Clone

Der Clone-Modus kopiert eine Bildpartie, mit der eine Form oder ein Patch zum Überdecken eines zu entfernenden Objekts gefüllt werden soll. In diesem Modus wird durch Klicken und Ziehen ein Rechteck oder eine Ellipse über eine Unvollkommenheit gezeichnet. Ein zweiter Klick platziert den geklonten Bereich. Der erste Klick erstellt die Patch-Auswahl. Ein zweiter Klick platziert den gesampelten Bereich. Wird eine bestehende Form oder Patch-Auswahl im Clone-Modus selektiert, kann man auf eine Form klicken, um den geklonten Bereich neu zu positionieren. Der Auswahlbereich wird anhand einer gestrichelten Linie dargestellt, die mit der ursprünglichen Form verbunden ist.

Blend Clone

Funktioniert ähnlich wie der Clone-Modus. Allerdings wird die kopierte Bildpartie, mit der das Rechteck, die Ellipse oder das Patch gefüllt wird, zur sanfteren Integrierung mit dem Bild verschmolzen.

Fill Method

Bei Einsatz des Modus „Spatial Patch Type“ bestimmt diese Methode, wie eine Unreinheit im Bild repariert wird.

Grid

Sampelt Pixel um das Rechteck, die Ellipse oder das Patch herum und verwischt sie horizontal und vertikal nach innen hin. Extrem effektiv für winzige Unreinheiten. Bei größeren Unreinheiten kann ein gitterartiges Muster entstehen.

Horizontal

Sampelt Pixel links und rechts des Rechtecks, der Ellipse oder des Patches und verwischt sie nach innen hin.

Vertical

Sampelt Pixel oberhalb und unterhalb des Rechtecks, der Ellipse oder des Patches und verwischt sie nach innen hin.

Patchy

Sampelt Pixel aus dem gesamten Bereich um das Rechteck, die Ellipse oder das Patch. Der Modus vergrößert und verwischt das Pixelsample, um zum Reparieren einer Unreinheit einen geschmeidigen, uneinheitlichen Bereich zu erzeugen. Erzeugt kein Muster wie bei der Füllmethode „Grid“, sondern liefert ein äußerst geschmeidiges Ergebnis.

Smooth

Verwendet zum Reparieren des Makels den Weichzeichner „Gaussian Blur“.

Patch-Optionen

Mit diesen Optionen können Sie die Patch-Art zum Überdecken einer Unreinheit selbst wählen.

Mute

Ermöglicht Ihnen das Ein- oder Ausschalten eines bestimmten Patches mittels Keyframes. Nützlich für Unreinheiten, die nur in einigen Pixeln einer Aufnahme auftreten.

Variability

(Nur für den Patch-Typ „Spatial“). Durch Erhöhen dieses Parameters können Sie diese Füllmethode weniger gleichförmig gestalten.

Soft Edges

Lässt Sie Patch-Kanten weicher gestalten.

Size Adjust

Lässt Sie die die Größe eines Patches nach seiner Erstellung verändern.

Advanced Controls

Mit diesen Optionen können Sie die Benutzeroberfläche eines Effekts individualisieren.

Clone Sticks to Mouse

Wenn diese Funktion aktiviert ist, wird beim Zeichnen oder Platzieren eines Rechtecks, einer Ellipse oder eines Patches im Modus „Clone“ oder „Blend Clone“ direkt auf die Positionierung eines Sample-Abschnitts umgeschaltet. Das beschleunigt den Prozess.

New Patches Stay Selected

Wenn diese Funktion aktiviert ist, bleiben Patches nach dem Zeichnen für weitere Anpassungen ausgewählt.

UI Line Thickness

Lässt Sie bestimmen, wie dick Linien auf dem Bildschirm dargestellt werden.

Output Mode

Zeigt einen zu erstellenden Patch-Effekt in verschiedenen Darstellungen. Es gibt vier Optionen:

Patched Result

Zeigt das Endergebnis für Patches, die einen Makel per Überdecken reparieren.

Patch Locations

Stellt Patches weiß auf schwarzem Hintergrund dar, um ihre Position anzuzeigen.

Differences

Stellt den Unterschied zwischen Patches und dem Originalbild dar.

Difference Magnitude

Stellt Unterschiede differenzierter dar.

Noise Reduction (Rauschreduzierung)

Das Resolve FX-Tool zur Rauschreduzierung basiert auf den Tools zur Rauschreduzierung im Color-Arbeitsraum. Es verfügt über zwei Arten der Rauschreduzierung per GPU-Beschleunigung, die problematische Clips entraschen sollen. Die beiden Methoden zur Rauschreduzierung können einzeln oder zusammen angewendet werden und je nach Ihrem aktuell bearbeiteten Material auch mit unterschiedlicher Intensität.

Steuerelemente für die temporale Rauschreduzierung

Bei der temporalen Rauschreduzierung werden Bilder über mehrere Frames hinweg analysiert, um Rauschen in den Details zu isolieren. Über die „Motion Estimation“-Einstellungen (Bewegungseinschätzung) lassen sich bewegte Objekte aus diesem Vorgang ausschließen. Das verhindert ungewollte Bewegungsartefakte.

Frames Either Side

Bezieht sich auf die Anzahl der Frames auf beiden Seiten des aktuellen Frames, die für die Durchschnittsberechnung benutzt werden, um Bilddetails und Rauschen zu differenzieren. Sie können zwischen 0 und 5 Frames wählen. 0 steht für keine Durchschnittsberechnung. Höhere Werte schließen mehr Frames in die Berechnung ein und machen den Prozess entsprechend rechenintensiver. Eine höhere Frame-Einstellung mag eine präzisere Analyse liefern. Enthält der Frame jedoch Objekte mit schneller Bewegung, entstehen dabei aber möglicherweise unerwünschte Artefakte. In diesem Fall sorgt der Wert 1 für bessere Ergebnisse. Sollen höhere Framewerte verwendet werden, die aber Artefakte verursachen, versuchen Sie das Problem durch Anpassen der Einstellung „Motion Threshold“ (Bewegungsschwelle) zu lösen.

Motion Est. Type

Bestimmt die Methode, mit der DaVinci Resolve Bewegung im Bild erkennt. Die schnellere Einstellung ist weniger prozessorintensiv, aber auch weniger akkurat. Die Option „Better“ (Besser) kann bewegte Bildteile akkurater ausschließen, ist jedoch prozessorintensiver. Keine der beiden Optionen erlaubt die Deaktivierung der Bewegungsanalyse. Die temporale Rauschreduzierung wird dann auf das gesamte Bild angewendet.

Motion Range

Über die Optionen „Small“, „Medium“ und „Large“ lässt sich die Bewegungsgeschwindigkeit für Bildteile einstellen, die die Funktion „Motion Estimation“ ausschließen soll. „Small“ eignet sich für Objekte, die sich langsam und mit wenig oder ohne Bewegungsunschärfe bewegen. Hierbei wird die temporale Rauschreduzierung gemäß einer bestimmten „Motion Threshold“-Einstellung auf einen größeren Bereich des Bilds angewendet. „Large“ ist auf schnelle Bewegungen ausgerichtet, wo die Bewegungsunschärfe einen großen Teil des Bilds einnimmt. Hierbei werden bei derselben „Motion Threshold“-Einstellung größere Bereiche des Bilds von der temporalen Rauschreduzierung ausgenommen. Wählen Sie beim Anpassen der „Motion Threshold“-Parameter die Einstellung, die den besten Kompromiss zwischen Rauschreduzierung und auftretenden Bewegungsartefakten bietet.

Steuerelemente für Temporal Threshold

Mit den Parametern für den temporalen Schwellenwert können Sie die Intensität der Rauschreduzierung für bestimmte Bildmerkmale bestimmen.

Luma Threshold

Über die Lumaschwelle können Sie festlegen, wie stark die temporale Rauschreduzierung auf die Lumakomponenten Ihres Bilds angewendet wird. Hier sind Einstellungen zwischen 0 und 100 möglich, wobei 0 für keine Rauschreduzierung steht und 100 für eine maximale Rauschreduzierung. Eine zu hohe Einstellung eliminiert ggf. feine Details im Bild.

Chroma Threshold

Über die Chromaschwelle können Sie festlegen, wie stark die temporale Rauschreduzierung auf die Chromakomponenten Ihres Bilds angewendet wird. Hier sind Einstellungen zwischen 0 und 100 möglich, wobei 0 für keine Rauschreduzierung steht und 100 für eine maximale Rauschreduzierung. Eine zu hohe Einstellung eliminiert ggf. feine Farbdetails im Bild. Sie werden jedoch feststellen, dass sich die Chromaschwelle höher als die Lumaschwelle anheben lässt, ohne dabei erkennbare Artefakte zu verursachen.

Gang Luma Chroma

In der Regel sind die Parameter für Luminanz und Chrominanz miteinander verbunden, sodass beide gleichzeitig angepasst werden. Sie können die Verknüpfung dieser Parameter über das entsprechende Kontrollkästchen jedoch aufheben, um die Rauschreduzierung für die vom Luma- bzw. Chromawert betroffenen Bildpartien, in denen das Rauschen am intensivsten ist, individuell anzupassen.

Motion

Definiert die Grenze zwischen bewegten Pixeln, die sich über dieser Schwelle befinden, und statischen Pixeln, die sich unterhalb der Schwelle befinden. Bewegte Pixel in Bewegung liegen über der Schwelle, statische Pixel in Bewegung liegen unter der Schwelle. Mit „Motion Estimation“ wird die temporale Rauschreduzierung nicht auf Bildbereiche angewendet, die über der Schwelle liegen. Dies verhindert Bewegungsartefakte, weil die Durchschnittsberechnung von Frames nicht auf die bewegten Bereiche des Bilds angewendet wird. Bei niedrigeren Werten werden mehr Bildbereiche von der temporalen Rauschreduzierung ausgeschlossen, da bereits geringfügige Bewegungen berücksichtigt werden. Bei höheren Werten werden mehr Bildbereiche in die temporale Rauschreduzierung einbezogen, da nur schnellere Bewegungen ausgeschlossen werden. Sie können Werte von 0 – 100 wählen. Bei 0 wird die temporale Rauschreduzierung auf keine Pixel angewendet, bei der Einstellung 100 hingegen auf alle Pixel. Die Standardeinstellung beträgt 50, da dieser Wert für viele Clips geeignet ist. Bedenken Sie, dass eine zu hoch eingestellte Bewegungsgrenze zu erkennbaren Artefakten in den bewegten Bereichen des Bilds führen kann.

Blend

Diese Option erlaubt die Überblendung eines Bilds, auf das die temporalen Rauschreduzierungsparameter angewendet werden (bei 0,0), zu einem nicht rauschreduzierten Bild (100,0). Anhand dieses Parameters können Sie unter Verwendung von aggressiver Rauschreduzierung mühelos einen Mittelwert vorgeben.

Steuerelemente für die räumliche Rauschreduzierung

Mithilfe der Steuerelemente für die räumliche Rauschreduzierung lassen sich Bereiche mit Hochfrequenzrauschen im gesamten Bild ausgleichen, während gleichzeitig Details erhalten werden, um ein Weichzeichnen zu verhindern. Das ist hilfreich bei Rauschen, das von der temporalen Rauschreduzierung nicht verringert werden kann.

Mode

Das „Mode“-Menü erlaubt das Hin- und Herschalten zwischen drei unterschiedlichen Algorithmen für die räumliche Rauschreduzierung. Alle drei Modi werden über dieselben Einstellungen gesteuert. Wechseln Sie einfach zwischen den Modi hin und her und vergleichen Sie die Ergebnisse.

Faster

„Faster“ bezieht sich auf eine rechenarme Methode zur Rauschreduzierung, die für niedrigere Werte geeignet ist, bei höheren Werten jedoch Artefakte verursachen kann.

Better

Aktiviert einen hochwertigeren Algorithmus, der für sehr viel bessere Ergebnisse als „Faster“ sorgt. Das Rendern ist jedoch weitaus rechenintensiver und gestattet keine Entkopplung der Schieberegler für Luminanz- und Chrominanz-Schwellenwerte, um diese für jedes farbliche Element einzeln anzupassen.

Enhanced

Bewahrt Bildschärfe und Zeichnung beim Beseitigen von Rauschen durch Erhöhen der Werte mit dem Schieberegler für die räumliche Rauschreduzierung wesentlich besser. Diese Optimierung wird insbesondere dann deutlich, wenn die Schieberegler für die räumliche Rauschreduzierung auf hohe Bereiche eingestellt sind. Was genau „hoch“ bedeutet, hängt jeweils vom Bild ab, das Sie bearbeiten. Im niedrigeren Bereich mögen die Verbesserungen im Vergleich zum rechenärmeren „Better“-Modus geringer sein. Die „Enhanced“-Einstellung ist äußerst rechenintensiv. Darüber hinaus lassen sich mit „Enhanced“ die Schieberegler für Luma- und Chromaschwellenwerte entkoppeln, sodass Sie auf einzelne farbliche Elemente je nach Bedarf unterschiedlich viel Rauschreduzierung anwenden können.

Radius

Die verfügbaren Optionen sind „Large“ (Groß), „Medium“ (Mittel) und „Small“ (Klein). Je kleiner der Radius, desto besser die Echtzeitverarbeitung. Bei geringen Luma- und Chromaschwellenwerten erzielen geringe Radien außerdem qualitativ gute Ergebnisse. Bei niedrigeren Schwellenwerten können in detailreichen Bereichen jedoch Treppeneffekte sichtbar werden.

Bei zunehmend größeren Radien bleiben sichtbare Details bei hohen Luma- und Chromawerten besser erhalten, was jedoch zulasten der Verarbeitungsgeschwindigkeit geht. Die Radiusoption „Medium“ sollte in Verbindung mit mittleren Schwellenwerteinstellungen bei den meisten Bildern für eine angemessene Qualität sorgen. Wie bei vielen anderen Vorgängen auch gibt es einen anpassungsfähigen Kompromiss zwischen Qualität und Geschwindigkeit.

Steuerelemente für Spatial Threshold

Mit den Parametern für den räumlichen Schwellenwert steuern Sie, für welche Bildeigenschaften Rauschen stärker oder weniger gemindert wird.

Luma

Hierüber können Sie festlegen, inwieweit die Rauschreduzierung auf die Lumakomponenten Ihres Bilds angewendet wird. Hier sind Einstellungen zwischen 0 und 100 möglich, wobei 0 für keine Rauschreduzierung steht und 100 für eine maximale Rauschreduzierung. Eine zu hohe Einstellung eliminiert ggf. feine Details im Bild.

Chroma

Hierüber können Sie festlegen, inwieweit die Rauschreduzierung auf die Chromakomponenten Ihres Bilds angewendet wird, indem Bereiche mit Hochfrequenzrauschen ausgeglichen werden, die Schärfe wichtiger Details jedoch erhalten bleibt. Hier sind Einstellungen zwischen 0 und 100 möglich, wobei 0 für keine Rauschreduzierung steht und 100 für eine maximale Rauschreduzierung. Eine zu hohe Einstellung eliminiert ggf. feine Farbdetails im Bild. Sie mögen jedoch feststellen, dass sich die Chromaschwelle höher als die Lumaschwelle anheben lässt, ohne dabei erkennbare Artefakte zu riskieren.

Gang Luma Chroma

In der Regel sind die Parameter für Luminanz und Chrominanz miteinander verbunden, sodass beide gleichzeitig angepasst werden. Sie können die Parameter jedoch voneinander lösen, um die Rauschreduzierung für die vom Luma- bzw. vom Chromawert betroffenen Bildpartien individuell anzupassen. Bspw. kann es vorkommen, dass die Weichzeichnung eines Bilds ab einem gewissen Rauschreduzierungsgrad zu ausgeprägt ist, obwohl die farbbedingten Rauschflecken das Lumarauschen überwiegen. In solchen Fällen können Sie die Chromaschwelle anheben, um trotz der Eliminierung von Farbrauschen den Detailreichtum zu erhalten.

Blend

Diese Option erlaubt die Überblendung von einem Bild, auf das die räumlichen Rauschreduzierungsparameter angewendet werden (bei 0,0), zu einem nicht rauschreduzierten Bild (100,0). Mithilfe dieses Parameters können Sie bei Verwendung von aggressiver Rauschreduzierung mühelos einen Kompromiss finden.

Global Blend

Blend

Diese Option erlaubt die Überblendung von einem Bild ohne Rauschreduzierung (1,0) zu einem Bild, bei dem die Einstellungen sowohl für räumliche als auch für temporale Rauschreduzierung auf 0,0 eingestellt sind.

Anwenden von Rauschreduzierung

Um ein kontrolliertes Ergebnis zu erzielen, empfiehlt sich folgende Vorgehensweise zum Anwenden von Rauschreduzierungsparametern.

So wenden Sie Rauschreduzierung auf ein Bild an:

- 1** Aktivieren Sie die temporale Rauschreduzierung, indem Sie im Menü „Number of Frames“ einen bis fünf Frames wählen. Bitte bedenken Sie, dass sich die Renderzeit mit der Anzahl der Frames sehr stark erhöht. Ob sich das Ergebnis dadurch wesentlich verbessert, hängt von Ihrem Material ab.
- 2** Wählen Sie in den Menüs „Motion Est. Type“ und „Motion Range“ die Optionen, die der Bewegung in Ihrem Bild entsprechen. Sollte in Ihrem Bild viel Bewegung stattfinden, ist es ggf. nötig, „Better“ und „Large“ zu wählen. Bei weniger Bewegung genügen wahrscheinlich niedrigere Einstellungen.
- 3** Erhöhen Sie bei miteinander verbundenen Luma- und Chromaschwellen einen der Parameter so lange, bis Sie beginnen, eine Reduzierung des Rauschens in den nicht bewegten Bereichen wahrzunehmen. Nehmen Sie anschließend vorsichtige Anpassungen vor, um das optimale Level zu ermitteln, ohne Artefakte zu verursachen oder das Bild unnötig weichzuzeichnen.
- 4** Ist augenscheinlich mehr Chroma- als Lumarauschen im Bild vorhanden, können Sie die Luma- und Chroma-Verknüpfung bei einem zufriedenstellenden Ausmaß der Lumarauschreduzierung lösen und anschließend die Chromaschwelle anheben, um farbige Rauschflecken zu eliminieren.
- 5** Nehmen wir an, Sie sind mit dem Kompromiss zwischen bestmöglicher Rauschreduzierung und der Vermeidung von Bewegungsartefakten nicht zufrieden. In diesem Fall können Sie die Einstellung für die Bewegungsschwelle anpassen. Senken Sie sie, wenn Sie mehr von der Bewegung aus dem Vorgang ausschließen möchten, oder heben Sie sie an, um mehr Bewegung mit einzubeziehen. Wenn Sie weiterhin nicht mit dem Ergebnis zufrieden sind, können Sie in den Einstellungen „Motion Est. Type“ und „Motion Range“ die Option „Better“ wählen.

Bitte bedenken Sie, dass die Stärke der temporalen Rauschreduzierung darin liegt, Rauschen in unbewegten Bereichen Ihres Bilds zu reduzieren. Wenn Sie den bestmöglichen Kompromiss zwischen der Rauschreduzierung in unbewegten Bereichen und der Vermeidung von Bewegungsartefakten in den bewegten Bereichen des Bilds gefunden haben, sollten Sie sich an die räumliche Rauschreduzierung machen, um das übrige Rauschen im Bild zu eliminieren.

- 6 Aktivieren Sie die räumliche Rauschreduzierung, indem Sie die standardmäßig miteinander verbundenen Luma- oder Chromaparameter anheben, bis Sie eine angemessene Balance zwischen Rauschreduzierung und unerwünschter Weichzeichnung gefunden haben.
- 7 Es ist empfehlenswert, im Kontextmenü „Spatial NR“ die Option „Enhanced“ zu wählen, da diese die bestmöglichen Ergebnisse erzielt. Diese Einstellung kann jedoch prozessorintensiv sein. Sollten Sie daher auf eine bessere Echtzeitverarbeitung angewiesen sein, können Sie die Option „Faster“ wählen und die Ergebnisse vergleichen.
- 8 Ist augenscheinlich mehr Chroma- als Lumarauschen im Bild vorhanden, lösen Sie die Luma-Chroma-Verlinkung bei einem zufriedenstellenden Ausmaß der Lumarauschreduzierung. Heben Sie anschließend die Chromaschwelle an, um eine aggressivere temporale Rauschreduzierung anzuwenden, die farbige Rauschflecken eliminiert.
- 9 Wenn Sie Rauschen bei der räumlichen Rauschreduzierung mithilfe eines hohen Luma- oder Chromaschwellenwerts sichtbar reduzieren, können einige Detailbereiche grob wirken oder Treppeneffekte zeigen. Wählen Sie dann im „Radius“-Menü eine höhere Einstellung, um eine detailreichere Analyse der Szene zu ermöglichen.

Dies führt zu einer besseren visuellen Qualität, jedoch sind höhere Radiuseinstellungen rechenintensiver und können die Echtzeitverarbeitung verlangsamen, sollten in Ihrem System keine angemessenen GPU-Ressourcen vorhanden sein.
- 10 Wenn Sie angemessene Einstellungen gefunden haben, das Resultat aber zu extrem ist und das Bild zu bearbeitet wirkt, können Sie versuchen, die räumlichen und/oder temporalen „Blend“-Parameter zu erhöhen, um das Bild mit der angewandten Rauschreduzierung in das Originalbild vor der Rauschreduzierung überzublenden.

Temporale Rauschreduzierung gefolgt von räumlicher Rauschreduzierung

Da die temporale Rauschreduzierung mehrere Frames getrennt auf Rauschen analysiert, werden Details in Bildbereichen mit wenig Bewegung meist besser bewahrt. Wenn die temporale Rauschminderung – selbst nur für Teile des Bilds – erfolgreich angewendet wurde, können Sie das anzuwendende Maß der räumlichen Rauschreduzierung verringern und damit insgesamt die Qualität des finalen Ergebnisses verbessern.

Denken Sie daran, dass die temporale Rauschreduzierung zwar auf unbewegten Bildbereichen gut funktioniert, jedoch beim Verarbeiten von bewegten Motiven weniger wirksam ist. Die räumliche Rauschreduzierung kann hingegen Rauschen unter einem bestimmten Schwellenwert im gesamten Frame mindern – selbst bei Bewegung. Fast immer führt eine Kombination aus beiden Verfahren zum besten Erfolg.

Eingrenzung des Radius für räumliche Rauschreduzierung

Eine Ausweitung der Radius-Einstellungen kann die Qualität detailreicher Bereiche in Aufnahmen mit drastisch angewendeter räumlicher Rauschreduzierung erheblich verbessern. Obwohl eine hohe Radius-Einstellung das höchste Maß an Präzision liefert, ist es nicht immer nötig, darauf zurückzugreifen. In vielen Fällen ist die gewonnene Qualität bei der Beurteilung von Bildern, auf die Sie Rauschreduzierung anwenden, kaum wahrnehmbar und Sie verschwenden Bearbeitungszeit mit unnötigen Korrekturen.

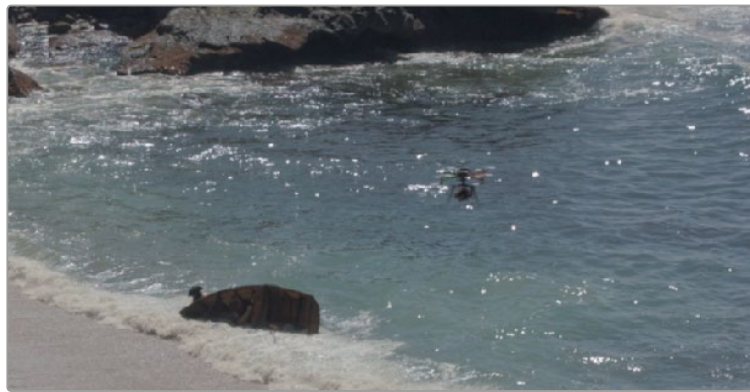
Um das zu bearbeitende Rauschen im Gesamtkontext für die vorgesehene Zielgruppe zu betrachten, empfiehlt es sich, das Bild als Vollbild auf einem ausreichend großen Bildschirm zu prüfen. Beim präzisen Hereinzoomen in einen Clip zum Anwenden von Rauschreduzierung kann es ratsam sein, höhere Qualitätseinstellungen als nötig zu verwenden, denn feine Änderungen an Details erkennen Sie auf einem stark vergrößerten Bild besser als in der tatsächlichen Größe.

Entfernen von Objekten

Das Plug-in zum Entfernen von Objekten verwendet man am besten im Color-Arbeitsraum. Es bedient sich der DaVinci Neural Engine, um ein Objekt weitestgehend automatisch aus dem Bild zu entfernen. Am effektivsten arbeitet das Plug-in in diesen Szenarien: Wenn ein bewegtes Objekt vor einem temporal fixen Hintergrund entfernt wird, oder wenn durch Objektivverschmutzung verursachte Flecken aus einer Einstellung mit bewegter Kamera entfernt werden. Mit kleineren Objekten werden bessere Ergebnisse als mit größeren Objekten erzielt, aber letztendlich hängt das Resultat von der Footage ab. Die nachfolgenden einfachen Schritte erklären den Vorgang.

So entfernen Sie ein bewegtes Objekt aus einem Clip:

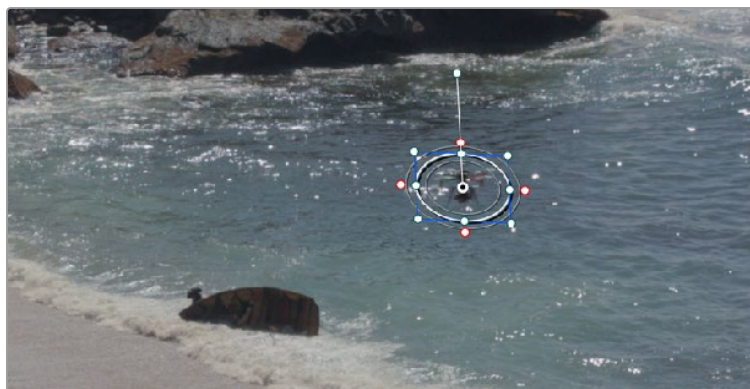
- 1 In diesem Beispiel fliegt während der Aufnahme eine Drohne durch eine Totale. Wir entfernen die Drohne aus dem Bild, indem wir anhand eines Windows das Objekt identifizieren, das mit dem Objektentfernungs-Plug-in entfernt werden soll.



Die Originalaufnahme mit der zu entfernenden Drohne

In unkomplizierten Fällen ist es häufig am einfachsten, den Objektentfernungseffekt in einem Korrektur-Node anzuwenden. Dann kann man ein Window oder einen Qualifizierer innerhalb dieses Nodes zum Freistellen des zu entfernenden Objekts verwenden. Genau das tun wir in diesem Beispiel.

- 2 Zeichnen Sie anhand der Window Palette ein Window um das zu entfernende Objekt. Die optimalsten Ergebnisse erzielen Sie, wenn Ihre Windows oder Masken das zu entfernende Objekt möglichst eng umschließen.
- 3 Aktivieren Sie Tracking oder Keyframing für das Window, damit es sich zusammen mit dem zu entfernenden Objekt bewegt. Auch hier erzielen Sie bessere Ergebnisse mit einem das unerwünschte Objekt eng umschließenden Window. Es ist auch gut, wenn der Rand des Windows etwas weichgezeichnet ist.



Das zu entfernende Objekt wird mit einem Window freigestellt

- 4 Ziehen Sie das Objektentfernungs-Plug-in per Drag-and-drop auf den Node, in dem Sie soeben das zu entfernende Objekt freigestellt haben.

- 5 Die Option „Use OFX Alpha“ im Kontextmenü wird automatisch aktiviert, um dem Objektentfernungs-Plug-in die Verwendung beliebiger Keys zu gestatten, die in diesem Node erstellt wurden.
- 6 Klicken Sie auf die Schaltfläche „Scene Analysis“, und warten Sie, bis die Analyse abgeschlossen ist. Wenn sich das zu entfernende Objekt bewegt, die Kamera jedoch fixiert ist, aktivieren Sie in dieser Situation für bessere Resultate das Kontrollkästchen „Assume no motion“.

Bei Bildmaterial mit idealen Voraussetzungen für die Objektentfernung verschwindet das Objekt nach erfolgter Analyse, da es nahtlos durch einen Hintergrund ersetzt wird. Der Hintergrund wurde mittels Details aus benachbarten Bildern generiert.

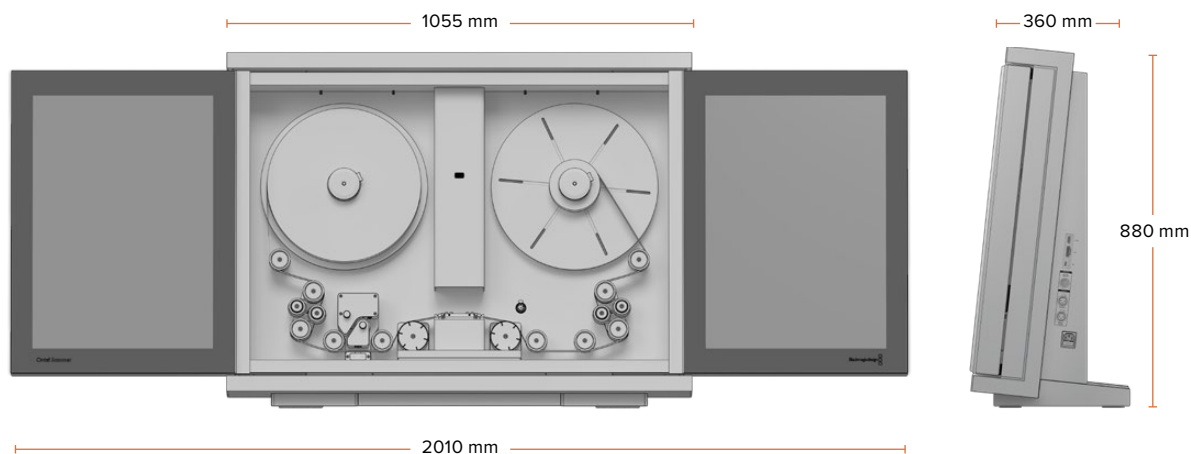


Das Ergebnis nach abgeschlossener Analyse zur Objektentfernung

Da der Erfolg des Objektentfernungs-Plug-ins von der Art des Bildmaterials abhängt, lässt sich ein gutes Resultat nicht immer so mühelos erzielen. Probleme am Resultat werden in Grau angezeigt, das an den Rändern des Ersatz-Windows erscheint, oder das Window komplett füllt. Das Grau zeigt an, wo mit den aktuellen Einstellungen nicht erkannt wird, welche Hintergrundinhalte die Stelle des entfernten Patches füllen sollen. In diesem Fall haben Sie zwei Möglichkeiten.

- Wenn Ihnen bei der Wiedergabe des analysierten Resultats an der Objektentfernungsmaske bei manchen Bildern ein grauer Rand auffällt, gehen Sie wie folgt vor. Justieren Sie anhand des „Search Range“-Reglers den Suchbereich, d. h. die Anzahl der Frames vor und nach dem aktuellen Bild, aus denen das Objektentfernungs-Plug-in die Details für das Ersatzbild zu beziehen sucht. Beispiel: Bei einem Suchbereich von 20 durchsucht das Plug-in +/-20 Frames ab dem aktuellen Standort, also insgesamt 40 Frames. Bei einer Vorgabe von 10 Frames, wird jedes vierte Bild einbezogen. In der Regel erzielen Sie die besten Ergebnisse mit der geringsten Spanne, die Ihnen ein akzeptables Resultat liefert.
- Ist die Maske für die Objektentfernung in manchen Frames komplett mit Grau gefüllt, besagt dies, dass es nicht gelungen ist, für diese Frames eine Hintergrundfüllung zu generieren. Versuchen Sie in diesem Fall Folgendes: Klicken Sie auf die Schaltfläche „Build clean plate“. Dann wird anhand einer Schätzung ein Hintergrund zum Füllen des Bilds erstellt und mit bereits erfolgreich gefüllten Frames abgestimmt.
- Wenn das Patch zwar erfolgreich gefüllt wurde, das Ergebnis aber nicht gut mit dem Hintergrund verschmilzt, probieren Sie es mit einem anderen Füllmodus. Der Standardmodus „Linear“ ermöglicht einen einfachen Klonvorgang. Alternativ wählen Sie den Modus „Adaptive blend“, der generell bessere Ergebnisse bringt. Hiervon ausgenommen sind Fälle, in denen das Ersatz-Patch eine andere Farbe oder Helligkeit als der Hintergrund hat.
- Das Menü „Scene Modus“ hält Optionen für Folgendes bereit: zum Analysieren von Szenen, zum Verbessern der Analyse des Bewegungsablaufs des zu ersetzenden Bereichs und zur Bestimmung der optimalen Methode zum Füllen des vom entfernten Objekt hinterlassenen Lochs. Die Hintergrundanalyse „Background“ berücksichtigt das gesamte Bild unter Ausschluss des Objektbereichs. „Boundary“ analysiert den Grenzbereich rund um den Objektbereich. „Object“ dient zur Analyse eines Objekts, das sich zusammen mit dem Hintergrund bewegt. In etwa so, wie sich ein Aufkleber auf dem Window bei bewegter Kamera verhalten würde.

Spezifikationen



Gewicht: 60 kg ohne Film. Abmessungen bei Wandmontage: Höhe – 785 mm, Tiefe – 265 mm

Funktionen des Scanners

Analogfilm

Positive, Negative, Interpositive, Internegative

Monochrom- und Farbfilm

Filmstreifenformate

35mm:

2-, 3-, 4-Loch-Perforation

Super-35mm:

2-, 3-, 4-Loch-Perforation

16mm

Super-16mm

8mm

Super-8mm

Native Auflösung

4096 x 3072

Tatsächliche Auflösungen¹

3840 x 2880 – Super-35

3390 x 2465 – Standard-35

3390 x 2865 – Anamorphotisch 35

1903 x 1143 – Super-16

1581 x 1154 – Standard-16

892 x 638 – Super-8

752 x 567 – Standard-8

Audio

Ton wird aus dem gescannten Bild extrahiert

HDMI-Formate

3840 x 2160 Ultra HD oder 1920 x 1080 HD, automatische Auswahl entsprechend der Monitorauflösung

Schmutz- und Kratzerentfernung

Diffuse Lichtquelle

Reinigungswalzen

Installationsmöglichkeiten

Auf einem Tisch befestigt

An einer Wand installiert

Dynamikumfang

Reguläre Scans: 12 Blendenstufen

HDR-Scans: bis zu 3,5 zusätzliche Blendenstufen

Transportfunktionen

Kontinuierliche Bewegung

Laufgeschwindigkeit

1–30 fps

Spulgeschwindigkeit

1–100 fps (35mm-Film)

1–200 fps (16mm-Film)

Filmschrumpftoleranz

Bis zu 2 % garantiert, bei achtsamem Umgang durch den Bediener ist ggf. mehr möglich

Beschleunigung

5–30 fps/s

Kapazität

610 m (35mm-Film)

Anschlüsse

HDMI-Videoausgang

1 HDMI 1,4 10 Bit 4:2:2
nur für Vorschauzwecke

Schnittstellenoption

XLR 6

Computer-Schnittstelle²

Thunderbolt™ 3 für die
Erfassung von Bild und Ton,
Softwareaktualisierungen,
unterstützt USB-C zum Aufladen
des Geräts mit 15 Watt bei 5 V

PCI Express 4 Lane Generation 2

Bi-phase/Timecode Output³

Bi-phase 4,5 Volt
galvanisch gekoppelt

Timecode 1,5 Volt
galvanisch gekoppelt

Timecode-Unterstützung
für 24, 25 und 30 fps

Analogaudio-Eingaben

2 Kanäle professionelles
symmetrisches Analogaudio mit
Abtastratenwandler via XLR-
Buchsen mit einem Bezugspegel
von 10 dBV

AES/EBU-Audioeingaben

2 Kanäle mit Abtastratenwandler
via XLR-Buchsen

¹ Auflösung nur für den Bereich des Bildausschnitts

² Der Cintel Scanner hat nur einen Thunderbolt-2-Port

³ Cintel Scanner 2 oder höher

Strombedarf

Spannungsbereich

90–240 V AC

Stromversorgung

200 Watt

Sicherung

T5AL 20mm

Idealer Filmzustand

Betriebstemperatur

18–28 °C

Relative Luftfeuchtigkeit

Maximal 65 % Luftfeuchtigkeit,
nicht kondensierend

Betriebssysteme

Mac, Windows und Linux

Zubehör

Cintel Audio and
Keycode Reader

Cintel Scanner
16mm Gate HDR

Cintel Scanner
8mm Gate HDR

Cintel Scanner
35mm Gate HDR

Cintel Film Cleaning Roller Kit

Blackmagic PCI
Express Cable Kit

Audio and KeyCode Reader

Entzerrung

Lichtton SMPTE, Magnetton IEC

Unterstützte KeyCode- Abtastgeschwindigkeiten

Alle Scanner-Geschwindigkeiten

LED-Typ

Lichtton und
KeyCode Deep RED

Unterstützte Audio- Abtastgeschwindigkeiten

6 fps – 125 % der gewünschten
Framerate,

d. h. die Film-Framerate von
24 fps hat eine maximale
Abtastgeschwindigkeit von 30 fps,
das Limit für 16mm-Film ist um 12 fps
geringer

Unterstützte Lichttontypen:

Zackenschrift

Sprossenschrift

Audioabtastrate und Bittiefe

PCM-WAV-Datei mit 48 kHz 24 Bit

35mm-Lichttonfilm

Bandbreite

40 Hz-16 kHz +/-2 dB

Signal-/

Störspannungsverhältnis (SNR)⁴

Transparenter Filmträger -65 dB

Gleichlaufschwankung⁵

< 0,15 %

16mm-Lichttonfilm

Bandbreite

40 Hz-7 kHz +/-2 dB

Signal-/

Störspannungsverhältnis (SNR)⁴

Transparenter Filmträger -65 dB

Gleichlaufschwankung⁵

< 0,3 %

16mm-Magnetstreifen mit einem Perforationsloch

Ausgeübter Druck

15 g

Bandbreite⁶

32 Hz-14 kHz +/-2 dB

Signal-/

Störspannungsverhältnis (SNR)⁴

-55 dB

Gleichlaufschwankung⁵

< 0,3 %

Vollaussteuerungspegel

-18 dBFS

Kopfhörerpegel⁷

-18 dBu bei 50 Ω Last

Audioanschluss

XLR 6

Computerschnittstelle

USB-C-Anschluss für
Softwareaktualisierungen

Stromverbrauch

10 Watt bei 12 Volt DC

Abmessungen

Höhe: 156 mm

Breite: 92 mm

Tiefe: 106 mm

Gewicht: 1,35 kg

⁴ Signal-/Störspannungsverhältnis (SNR) wird per Z-Frequenzbewertung gemessen

⁵ Gleichlaufschwankung wird per IEC-386-Frequenzbewertung gemessen

⁶ Die ausgelegte theoretische magnetische Bandbreite beträgt 20–20 kHz, es ist jedoch kein Testmaterial verfügbar, um dies zu belegen.

⁷ Die Kopfhörerbuchse ist lediglich für Vorschauzwecke vorgesehen

Gesetzliche Vorschriften



Entsorgung von elektrischen und elektronischen Geräten innerhalb der Europäischen Union

Das auf dem Produkt abgebildete Symbol weist darauf hin, dass dieses Gerät nicht zusammen mit anderen Abfallstoffen entsorgt werden darf. Altgeräte müssen daher zur Wiederverwertung an eine dafür vorgesehene Sammelstelle übergeben werden. Mülltrennung und Wiederverwertung von Altgeräten tragen zum nachhaltigen Umgang mit natürlichen Ressourcen bei. Gleichzeitig wird sichergestellt, dass die Wiederverwertung nicht zulasten der menschlichen Gesundheit und der Umwelt geht. Weitere Informationen zur Entsorgung von Altgeräten sowie zu den Standorten der zuständigen Sammelstellen erhalten Sie von Ihren örtlichen Müllentsorgungsbetrieben sowie vom Händler, bei dem Sie dieses Produkt erworben haben.



Dieses Gerät wurde geprüft und entspricht den Grenzwerten für Digitalgeräte der Klasse A gemäß Abschnitt 15 der FCC-Bestimmungen für Funkstörung. Diese Grenzwerte dienen dem angemessenen Schutz gegen schädliche Störungen bei Betrieb des Geräts in einer kommerziellen Einrichtung. Geräte dieser Art erzeugen und verwenden Hochfrequenzen und können diese auch ausstrahlen. Bei Nichteinhaltung der Installations- und Gebrauchsvorschriften können sie zu Störungen beim Rundfunkempfang führen. Der Betrieb solcher Geräte im Wohnbereich führt mit großer Wahrscheinlichkeit zu Funkstörungen. In diesem Fall kann vom Betreiber verlangt werden, selbst für die Beseitigung solcher Störungen aufzukommen.

Der Betrieb unterliegt den folgenden zwei Bedingungen:

- 1 Dieses Gerät darf keine schädigenden Störungen hervorrufen.
- 2 Dieses Gerät muss alle Störungen annehmen, einschließlich Störungen, die einen unerwünschten Betrieb zur Folge haben.



R- REM-BMD-201805001



ISED-Zertifizierung für den kanadischen Markt

Dieses Gerät erfüllt die kanadischen Vorschriften für digitale Geräte der Klasse A.

Jedwede an diesem Produkt vorgenommene Änderung oder unsachgemäße Verwendung kann die Konformitätserklärung zum Erlöschen bringen.

Verbindungen zu HDMI-Schnittstellen müssen über abgeschirmte HDMI-Kabel hergestellt werden.

Die Ausstattung wurde unter Einhaltung der beabsichtigten Nutzung in einer gewerblichen Umgebung getestet. Bei Einsatz des Geräts in einer häuslichen Umgebung verursacht es möglicherweise Funkstörungen.

Sicherheitshinweise

Zum Schutz vor Stromschlag muss das Gerät an ein vorschriftsmäßig geerdetes Stromnetz angeschlossen werden. Kontaktieren Sie im Zweifelsfall eine Elektrofachkraft.

Um das Risiko eines elektrischen Schlages zu verringern, setzen Sie das Gerät weder Tropfen noch Spritzern aus.

Das Gerät eignet sich für den Einsatz in tropischen Gebieten mit einer Umgebungstemperatur von bis zu 40 °C. Beachten Sie jedoch, dass die optimalen Filmbedingungen bei 18–28 °C liegen.

Achten Sie auf eine ausreichende Luftzufuhr um das Gerät herum, sodass die Belüftung nicht eingeschränkt wird.

Im Inneren des Produkts befinden sich keine durch den Anwender zu wartenden Teile. Wenden Sie sich für die Wartung an ein Blackmagic Design Service-Center in Ihrer Nähe.



Nicht in Höhen von über 2000 m über dem Meeresspiegel einsetzen



WARNHINWEIS

Der Cintel Scanner wiegt mit eingelegtem Film bis zu 70 kg. Damit ist er sehr viel schwerer als ein Großbildfernseher. Sollten Sie sich unsicher sein, ob eine Wand oder Arbeitsplatte das Gewicht des Scanners tragen kann, holen Sie unbedingt qualifizierten technischen Rat für die Installation und zur Gewährleistung der Sicherheit ein. Eine nicht fachgemäße Installation kann dazu führen, dass der Scanner herunterfällt. Dies kann schwere Verletzungen oder den Tod zur Folge haben.

Befestigung auf Tischen

Vergewissern Sie sich vor der Installation des Scanners auf einem Tisch, dass die Arbeitsfläche eben und stabil ist. Das gilt besonders, wenn der Scanner auf dem Tisch steht und Sie von unten die Sicherungsbolzen festziehen. Die Installationshalterungen müssen robust genug sein, um das Gewicht des Scanners tragen zu können. Sollte Ihre Arbeitsfläche für das Gewicht des Cintel Scanners nicht ausgelegt sein oder mit der Zeit an Stabilität verlieren, könnte Ihr Abtaster herunterfallen und schwere Verletzungen verursachen.

Befestigung an Wänden

Vergewissern Sie sich bei der Wandinstallation, dass der Wandabschnitt dauerhaft ausreichend tragfähig ist. Sollte die Stabilität im Laufe der Zeit nachlassen, könnte der Scanner herunterfallen und möglicherweise Personen zu Schaden kommen lassen. Installieren Sie ihn daher nicht an Orten, die nicht entsprechend belastbar sind. Die Installationshalterungen müssen robust genug sein, um das Gewicht des Scanners tragen zu können. Ist die Installationsoberfläche nicht stabil genug, könnte der Scanner herunterfallen und Personen zu Schaden kommen lassen.

Die Tisch- und Wandinstallation MUSS von mehr als einer Person durchgeführt werden. Versuchen Sie nicht, die Installation allein vorzunehmen.

Betrieb

Während des Betriebs ist die Bedienung durch den Benutzer notwendig. Das Einfädeln von Film muss grundsätzlich von Hand vorgenommen werden. Es ist wichtig zu wissen, dass sich bewegende Teile eine Gefahrenquelle darstellen. Vergewissern Sie sich, dass Ihre Finger und andere Körperteile den Scanner während des Abtastvorgangs nicht berühren.

California Proposition 65

Plastikteile dieses Produkts können Spuren von polybromierten Biphenylen enthalten. Im US-amerikanischen Bundesstaat Kalifornien werden diese Chemikalien mit Krebs, Geburtsfehlern und anderen Schäden der Fortpflanzungsfähigkeit in Verbindung gebracht.

Weitere Informationen finden Sie unter www.P65Warnings.ca.gov.

Warnhinweis für autorisiertes Wartungspersonal



Vergewissern Sie sich, dass die Verbindung zum Stromnetz vor Beginn der Wartung getrennt wurde.

Hilfe

Am schnellsten erhalten Sie Hilfe über die Online-Support-Seiten auf der Blackmagic Design Website. Sehen Sie dort nach der aktuellsten Support-Dokumentation für Ihren Cintel Scanner.

Blackmagic Design Online Support Seiten

Die aktuellsten Versionen der Bedienungsanleitung, Produktsoftware und der Support-Hinweise finden Sie im Blackmagic Support Center unter <https://www.blackmagicdesign.com/de/support>.

Blackmagic Design Forum

Das Blackmagic Design Forum auf unserer Website ist eine praktische Ressource, die Sie für mehr Information und kreative Ideen aufsuchen können. Manchmal finden Sie dort schnellere Lösungen, da möglicherweise bereits hilfreiche Antworten auf ähnliche Fragen von anderen erfahrenen Anwendern und Blackmagic Design Mitarbeitern vorliegen. Das Forum finden Sie unter <https://forum.blackmagicdesign.com>.

Kontaktaufnahme mit Blackmagic Design Support

Wenn unser Support-Material oder das Forum Ihnen nicht wie gewünscht hilft, gehen Sie bitte auf unsere Support-Seite und schicken Sie uns Ihre Anfrage über „Senden Sie uns eine E-Mail“. Oder klicken Sie auf „Finden Sie Ihr lokales Support-Team“ und rufen Sie Ihre nächstgelegene Blackmagic Design Support Stelle an.

Überprüfen der aktuell installierten Softwareversion

Um zu überprüfen, welche Version von DaVinci Resolve auf Ihrem Mac-, Windows- oder Linux-Computer installiert ist, öffnen Sie DaVinci Resolve. Klicken Sie in der Menüleiste unter „DaVinci Resolve“ auf „About DaVinci Resolve“, um die Versionsnummer der Software zu sehen.

Um zu überprüfen, welche Version der Cintel Scanner Software auf Ihrem Mac-, Windows- oder Linux-Computer installiert ist, öffnen Sie „Cintel Setup Utility“. Gehen Sie zum Prüfen der Versionsnummer der Software zum Tab „About“.

So erhalten Sie die aktuellsten Updates

Prüfen Sie zunächst die Versionsnummern der auf Ihrem Computer installierten DaVinci Resolve und Cintel Scanner Software. Sehen Sie dann im Blackmagic Design Support Center unter www.blackmagicdesign.com/de/support nach den neuesten Aktualisierungen. Es ist ratsam, die aktuellsten Updates zu laden. Allerdings sollte man Softwareupdates vorsichtshalber nicht mitten in einem wichtigen Projekt vornehmen.

Erstellen eines Statusberichts

Die Cintel Scanner Software ermöglicht das Erstellen von Statusberichten, die Sie zur Diagnose und Problemlösung an den Blackmagic Support senden können. Wenn Sie einen Audio and KeyCode Reader angeschlossen haben, können Sie für diesen einen Statusbericht generieren.

Öffnen Sie zum Erstellen eines Statusberichts das Cintel Setup Dienstprogramm und klicken Sie anschließend auf den Tab „About“. Klicken Sie im Abschnitt „Device Information“ auf „Create“. Diese Aktion erzeugt eine HTML-Datei, sodass Sie den Status Ihres Scanners und Ihres Audio and KeyCode Readers mühelos ablesen können.

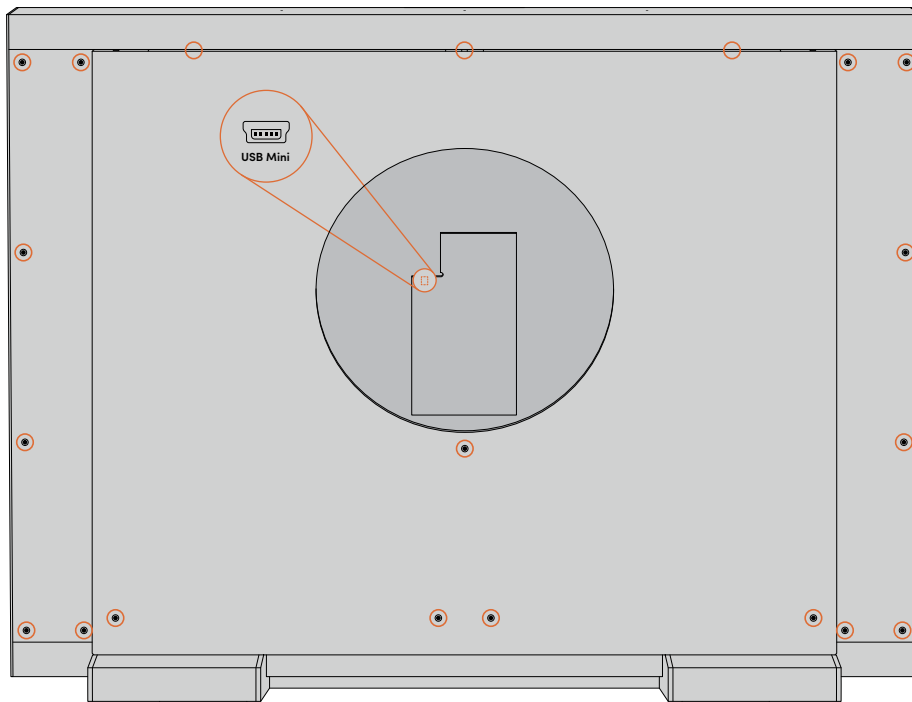
USB-Wiederherstellung

Sollte die Aktualisierung wider Erwarten unterbrochen werden oder während des Aktualisierungsprozesses ein Problem auftreten, sodass Ihr Cintel Scanner nicht mehr reagiert, haben Sie die Möglichkeit, Ihren Computer an einen dafür vorgesehenen USP-Port zur USB-Wiederherstellung zu koppeln.

Überprüfen Sie, dass die USB-Wiederherstellungsfunktion verfügbar ist, indem Sie Ihren Cintel mit Strom versorgen und kontrollieren, ob die Status-LED nahe des Thunderbolt-Ports grün leuchtet. Leuchtet die LED rot, sollten Sie sich mit dem Blackmagic Design Support in Verbindung setzen.

- 1 Entfernen Sie die Abdeckung an der Rückseite Ihres Blackmagic Cintel Scanners. Den USB-Port zur Systemwiederherstellung finden Sie mittig zum oberen Rand hin. Er befindet sich seitlich der Leiterplatte in Richtung Vorderseite des Cintel Scanners hin und ist sichtbar, wenn Sie von oben auf den Cintel Scanner schauen.

HINWEIS Wenn die Rückseite des Cintels nicht frei zugänglich ist und Sie Ihren Scanner anders positionieren müssen, holen Sie sich eine zweite Person zu Hilfe. Sorgen Sie des Weiteren dafür, dass eine für den schweren Scanner geeignete Arbeitsbühne bereitsteht. Näheres finden Sie im Abschnitt „Auspacken und Montage“ in diesem Handbuch.



Entfernen Sie die Abdeckung an der Rückseite, um auf den USB-Port zur USB-Wiederherstellung zuzugreifen

- 2 Verbinden Sie Ihren Computer per Mini-B-USB-Kabel mit dem USB-Wiederherstellungsport.

- 3 Holen Sie sich die aktuellste Version der Cintel Scanner Software per Download von der Blackmagic Design Website, installieren Sie sie auf Ihrem Computer und starten Sie sie. Das Cintel Setup Dienstprogramm erkennt, dass Ihr Computer mit dem USB-Wiederherstellungspport Ihres Cintel Scanners verbunden ist. Klicken Sie zum Aktualisieren auf „Update now“.



Die Cintel Scanner Software erkennt, dass Ihr Computer mit dem USB-Wiederherstellungspport Ihres Cintel Scanners verbunden ist

- 4 Nach abgeschlossener Wiederherstellung des Updates sollte die aktuellste Softwareversion auf Ihrem Cintel Scanner laufen und dieser wie gehabt funktionieren. Überprüfen können Sie dies, indem Sie das USB-Kabel entfernen, stattdessen das Thunderbolt-Kabel anschließen und den Scanner neu starten.
- 5 Befestigen Sie die Abdeckung wieder an der Rückseite des Geräts und bringen Sie den Cintel Scanner zurück in seine normale Betriebsposition. Sollten Sie weitere Hilfestellungen benötigen, können Sie jederzeit das Blackmagic Design Forum besuchen oder uns über das Blackmagic Design Support-Center kontaktieren.

Garantie

12 Monate eingeschränkte Garantie

Für dieses Produkt gewährt die Firma Blackmagic Design eine Garantie auf Material- und Verarbeitungsfehler von 12 Monaten ab Kaufdatum. Sollte sich ein Produkt innerhalb dieser Garantiezeit als fehlerhaft erweisen, wird die Firma Blackmagic Design nach ihrem Ermessen das defekte Produkt entweder ohne Kostenerhebung für Teile und Arbeitszeit reparieren oder Ihnen das defekte Produkt ersetzen. Zur Inanspruchnahme der Garantieleistungen müssen Sie als Kunde Blackmagic Design über den Defekt innerhalb der Garantiezeit in Kenntnis setzen und die entsprechenden Vorkehrungen für die Leistungserbringung treffen. Es obliegt dem Kunden, für die Verpackung und den bezahlten Versand des defekten Produkts an ein spezielles von Blackmagic Design benanntes Service Center zu sorgen und hierfür aufzukommen. Sämtliche Versandkosten, Versicherungen, Zölle, Steuern und sonstige Abgaben im Zusammenhang mit der Rücksendung von Waren an uns, ungeachtet des Grundes, sind vom Kunden zu tragen.

Diese Garantie gilt nicht für Mängel, Fehler oder Schäden, die durch unsachgemäße Handhabung oder unsachgemäße oder unzureichende Wartung und Pflege verursacht wurden. Blackmagic Design ist im Rahmen dieser Garantie nicht verpflichtet, die folgenden Serviceleistungen zu erbringen: a) Behebung von Schäden infolge von Versuchen Dritter, die Installation, Reparatur oder Wartung des Produkts vorzunehmen, b) Behebung von Schäden aufgrund von unsachgemäßer Handhabung oder Anschluss an nicht kompatible Geräte, c) Behebung von Schäden oder Störungen, die durch die Verwendung von nicht Blackmagic-Design-Ersatzteilen oder -Verbrauchsmaterialien entstanden sind, oder d) Service für ein Produkt, das verändert oder in andere Produkte integriert wurde, sofern eine solche Änderung oder Integration zu einer Erhöhung des Zeitaufwands oder zu Schwierigkeiten bei der Wartung des Produkts führt.

ÜBER DIE IN DIESER GARANTIEERKLÄRUNG AUSDRÜCKLICH AUFGEFÜHRTEN ANSPRÜCHE HINAUS ÜBERNIMMT BLACKMAGIC DESIGN KEINE WEITEREN GARANTIEN, WEDER AUSDRÜCKLICH NOCH STILLSCHWEIGEND. DIE FIRMA BLACKMAGIC DESIGN UND IHRE HÄNDLER LEHNEN JEGLICHE STILLSCHWEIGENDEN GARANTIEN IN BEZUG AUF AUSSAGEN ZUR MARKTGÄNGIGKEIT UND GEBRAUCHSTAUGLICHKEIT FÜR EINEN BESTIMMTEN ZWECK AB. DIE VERANTWORTUNG VON BLACKMAGIC DESIGN, FEHLERHAFTE PRODUKTE WÄHREND DER GARANTIEZEIT ZU REPARIEREN ODER ZU ERSETZEN, IST DIE EINZIGE UND AUSSCHLIESSLICHE ABHILFE, DIE GEGENÜBER DEM KUNDEN ZUR VERFÜGUNG GESTELLT WIRD. BLACKMAGIC DESIGN HAFTET NICHT FÜR INDIREKTE, SPEZIELLE, NEBEN- ODER FOLGESCHÄDEN, UNABHÄNGIG DAVON, OB BLACKMAGIC DESIGN ODER DER HÄNDLER VON DER MÖGLICHKEIT SOLCHER SCHÄDEN ZUVOR IN KENNTNIS GESETZT WURDE. BLACKMAGIC DESIGN IST NICHT HAFTBAR FÜR JEGLICHE WIDERRECHTLICHE VERWENDUNG DER GERÄTE DURCH DEN KUNDEN. BLACKMAGIC HAFTET NICHT FÜR SCHÄDEN, DIE SICH AUS DER VERWENDUNG DES PRODUKTS ERGEBEN. NUTZUNG DES PRODUKTS AUF EIGENE GEFAHR.

© Copyright 2024 Blackmagic Design. Alle Rechte vorbehalten. „Blackmagic Design“, „Cintel“, „DeckLink“, „DaVinci Resolve“ sind in den USA und anderen Ländern eingetragene Markenzeichen. Alle anderen Unternehmens- und Produktnamen sind möglicherweise Warenzeichen der jeweiligen Firmen, mit denen sie verbunden sind.

Abril 2024

Manual de instalación y funcionamiento

Blackmagicdesign 

Escáner Cintel



Escáner Cintel



Bienvenido

Gracias por haber adquirido este producto.

El escáner de películas Cintel permite digitalizar cintas en tiempo real de una forma mucho más rápida que otros productos similares en los cuales el procesamiento se inicia y se detiene constantemente. Sin embargo, es importante destacar que, a diferencia de un telecine, este dispositivo no transfiere imágenes a una videocinta, sino que lo hace mediante conexiones Thunderbolt 3 o PCIe directamente a DaVinci Resolve, donde es posible editarlas y etalonarlas, corregir el encuadre, reducir el ruido o extraer el audio.

Al utilizar DaVinci Resolve junto con el escáner, es posible acceder a una mayor cantidad de herramientas creativas en comparación con un telecine tradicional. Por otra parte, dado que el dispositivo aprovecha la capacidad del programa y de GPU externas o instaladas en el equipo informático, no es necesario hacer uso de otros accesorios electrónicos adicionales.

El funcionamiento del equipo es muy simple. Basta con escanear la película en HDR o con rango dinámico estándar, compaginar los archivos RAW obtenidos en la línea de tiempo, reducir el ruido en las imágenes, etalonarlas y corregir el encuadre. A continuación, es posible renderizar los contenidos en cualquier formato mediante el módulo Entrega de DaVinci Resolve.

Asimismo, hemos diseñado accesorios para mejorar las dinámicas de trabajo. El lector de audio y números KeyCode opcional permite escanear bandas sonoras ópticas o magnéticas con rapidez, así como transferir los datos identificatorios de la película directamente a los clips en DaVinci Resolve. De manera alternativa, el escáner puede sincronizarse posteriormente con otros sistemas de audio.

Cabe mencionar además que es importante consultar el manual de DaVinci Resolve y los tutoriales disponibles sobre el uso de esta aplicación. Existen varios videos al respecto en Internet, así como cursos de capacitación ofrecidos por distintos proveedores para obtener los mejores resultados al utilizar el programa.

En nuestra página de soporte técnico, encontrarás su versión más reciente, así como material de apoyo adicional para estos productos.

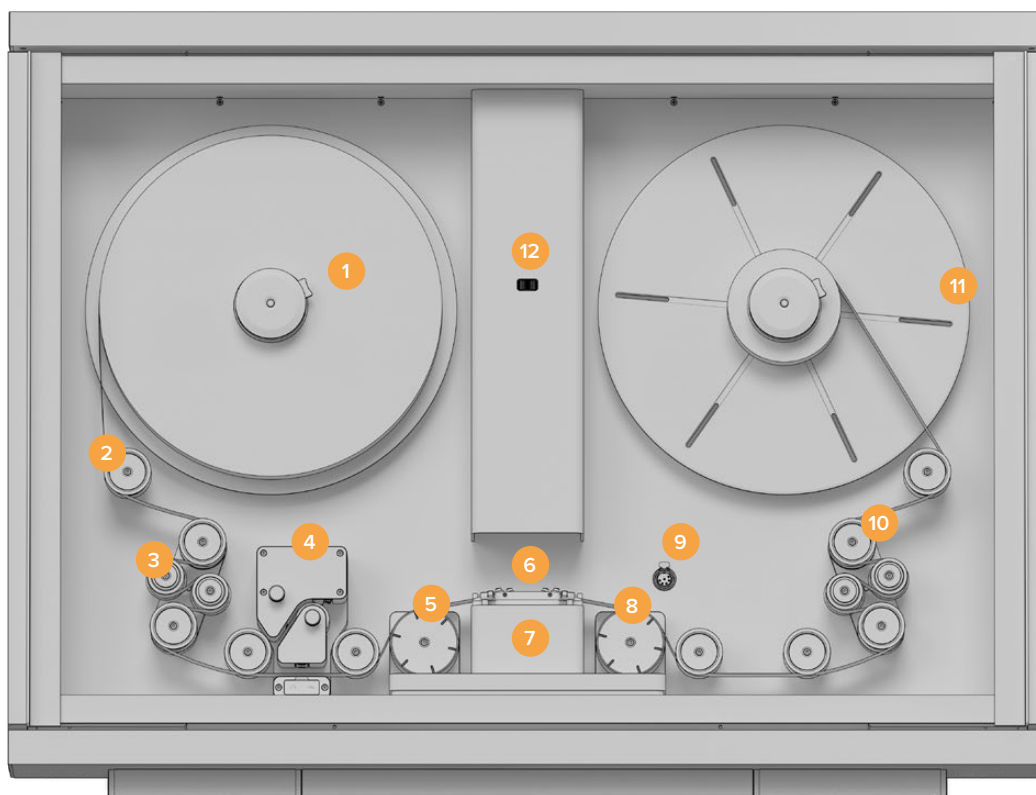
Grant Petty

Director ejecutivo de Blackmagic Design

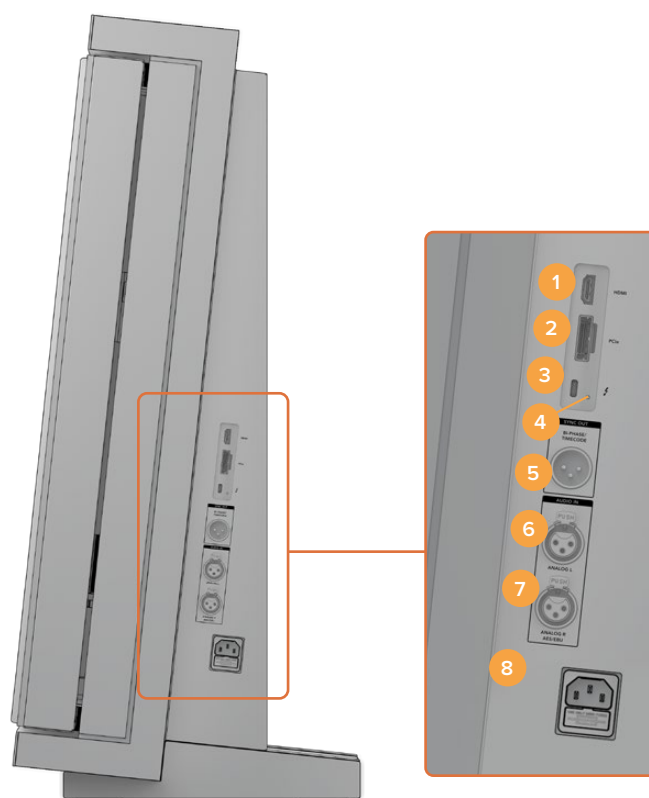
Índice

Desembalaje e instalación del dispositivo	535	Opciones para la extracción de audio	571
Instalación en mesas o escritorios	535	Espacio cromático y ajuste del tamaño	573
Instalación en paredes	536	Lector de audio y números KeyKode	575
Advertencia sobre la instalación del escáner	537	Instalación del lector	576
Primeros pasos	538	Lectura del audio	578
Instalación del software	538	Configuración del lector para digitalizar el audio	579
Conexión del cable de alimentación	538	Lectura de números KeyKode	585
Conexión a equipos informáticos	538	Configuración del lector para escanear los números KeyKode	585
DaVinci Resolve	539	Transcodificación de archivos DPX con metadatos KeyKode	586
Actualización de los dispositivos	540	Mantenimiento	588
Herramientas de desarrollo gratuitas	541	Limpieza de los rodillos	588
¿Qué es HDR?	541	Limpieza de los cabrestantes	588
Tipos de ruedas motrices	542	Limpieza del polvo	589
Ajuste de la cinta	542	Limpieza del lector	589
Uso del escáner	546	Limpieza del cabezal magnético del lector	590
Modos de bobinado	546	Reemplazo del cabezal magnético	591
Cintas de 16 mm	547	Reemplazo de la placa de circuitos impresos del cabezal magnético	593
Cintas de 8 mm	549	Reinicio del contador	597
Uso de distintos formatos de 8 mm	550	Alineación del cabezal	597
Tornillos tensores	552	Proyectos en DaVinci Resolve	602
Controles de reproducción	553	Organizador de proyectos	602
Modo de espera	554	Edición con el módulo Montaje	603
Digitalización con DaVinci Resolve	554	Agregar clips al panel multimedia	606
Interfaz del escáner	554	Recortar clips en la línea de tiempo	607
Controles adicionales	555	Vista para recorte de audio	607
Ajuste de la fuente lumínica	558	Agregar títulos	608
Estabilización de imagen	559	Archivos Blackmagic RAW	609
Protección de cintas	562	Etalonar los clips en el módulo Color	613
Modificación de los metadatos y la información al digitalizar	562	Agregar una Power Window	616
Procesos de digitalización	564	Uso de complementos	618
Ajuste cromático del escáner	568	Mezcla de audio en el módulo Edición	618
Digitalización de una o varias partes de la cinta	569		
Extracción del audio	570		

El módulo Fairlight	619	General	642
Efectos visuales y composiciones en el módulo Fusion	624	Tipos de parches	643
Primeros pasos en Fusion	626	Opciones de parche	644
Masterización	632	Controles avanzados	644
Exportación rápida	632	Reducción de ruido	645
Módulo Entrega	633	Controles para la reducción de ruido temporal	645
Eliminación automática de suciedad	634	Controles para la reducción de ruido temporal	645
Controles principales	634	Controles para la reducción de ruido espacial	646
Controles de precisión	635	Controles para la reducción de ruido espacial	647
Corrección de píxeles atascados	635	Fusión general	648
General	636	Uso de la reducción de ruido	648
Tipos de parches	637	Eliminación de objetos	650
Opciones de parche	638	Especificaciones	652
Controles avanzados	638	Normativas	655
Reducción de parpadeo	639	Seguridad	656
Parámetros principales	639	Ayuda	658
Reducción de ruido temporal	639	Cómo obtener las actualizaciones más recientes	658
Optimización de velocidad	640	Informes de estado	658
Restaurar detalles después de reducir el parpadeo	640	Recuperación mediante el puerto USB	659
Salida	641	Garantía	661
Eliminación de polvo	641		



1. Sujetador de núcleos
2. Rodillo
3. Rodillo para transferencia de partículas
4. Lector de audio y números KeyKode opcional conectado mediante la interfaz de opciones izquierda
5. Rueda tensora
6. Ventanilla
7. Fuente de luz
8. Rueda motriz
9. Puerto de expansión para alineación de pines
10. Brazo de desplazamiento
11. Placa trasera bobinadora
12. Rueda de enfoque



1. HDMI
2. PCIe
3. Thunderbolt 3
4. Estado de la fuente de alimentación
5. Salida bifásica / código de tiempo
6. Entrada de audio XLR3 1
7. Entrada de audio XLR3 2
8. Conexión del dispositivo

Desembalaje e instalación del dispositivo

Este es su nuevo escáner de películas Cintel.

Antes de comenzar a utilizar el dispositivo, es necesario desembalarlo y colocarlo sobre una superficie estable o en una pared. El escáner cuenta con orificios en la base, que brindan una mayor estabilidad al situarlo sobre una mesa o escritorio, y en la parte posterior, con el objetivo de fijarlo a una pared.

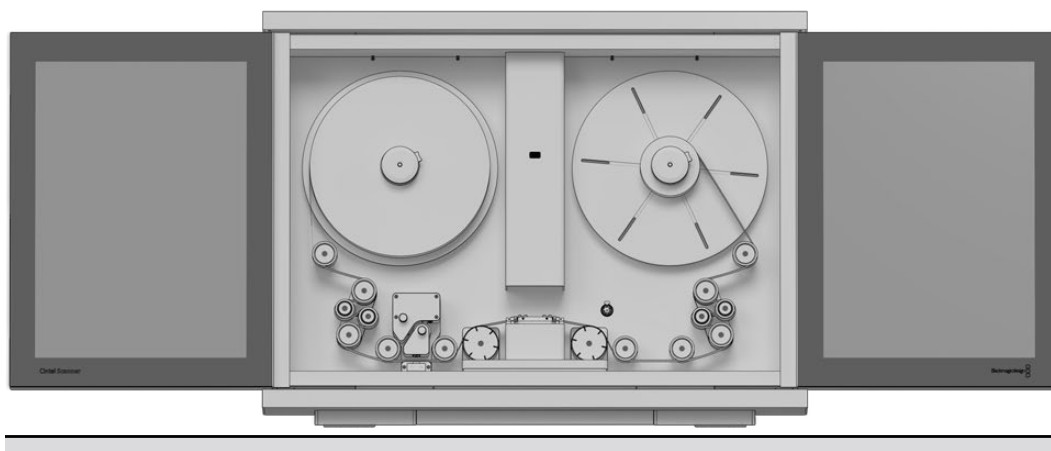
Al abrir la caja que contiene el escáner, notará unas aberturas en la cubierta protectora de poliestireno expandido que permiten asirlo con firmeza.

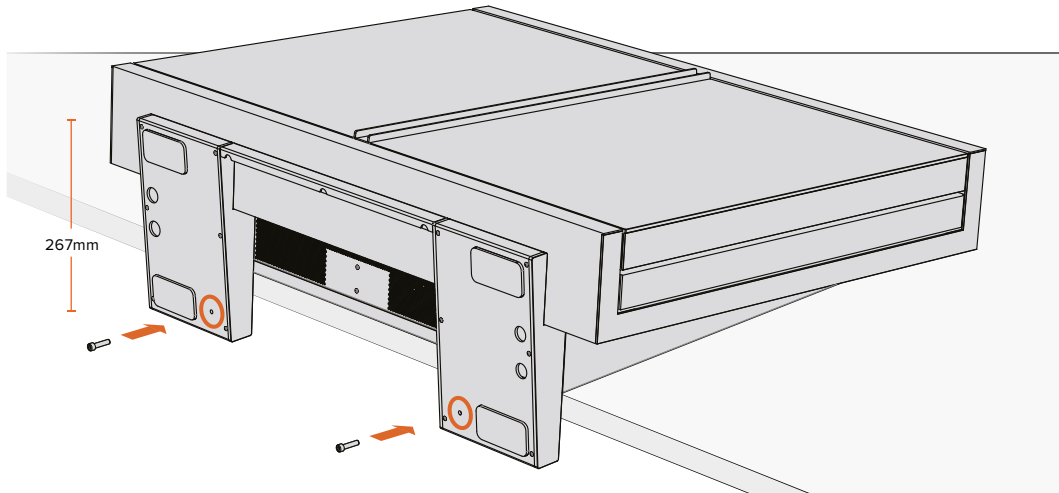
Tenga en cuenta que el dispositivo pesa más de 60 kilos (130 libras) y resulta demasiado grande para ser manipulado por un solo individuo. Recomendamos levantarlo entre dos personas, con movimientos lentos y controlados, asegurándose de doblar las rodillas y manteniendo la espalda en posición recta para evitar posibles lesiones.

Luego de desembalar el escáner, apóyelo sobre una superficie plana y estable que pueda aguantar su peso.

Instalación en mesas o escritorios

La base del escáner incluye orificios que permiten sujetarlo a la mesa o el escritorio donde se encuentra apoyado. Para tal fin, es necesario practicar dos agujeros en dicha superficie y alinearlos con los orificios del dispositivo, de forma que sea posible introducir tornillos M6 en la base del mismo y apretarlos con firmeza. Esto evitará que el equipo se mueva.





El escáner puede sujetarse a la superficie sobre la que se encuentra apoyado insertando dos tornillos M6 en los orificios situados en la base del dispositivo.

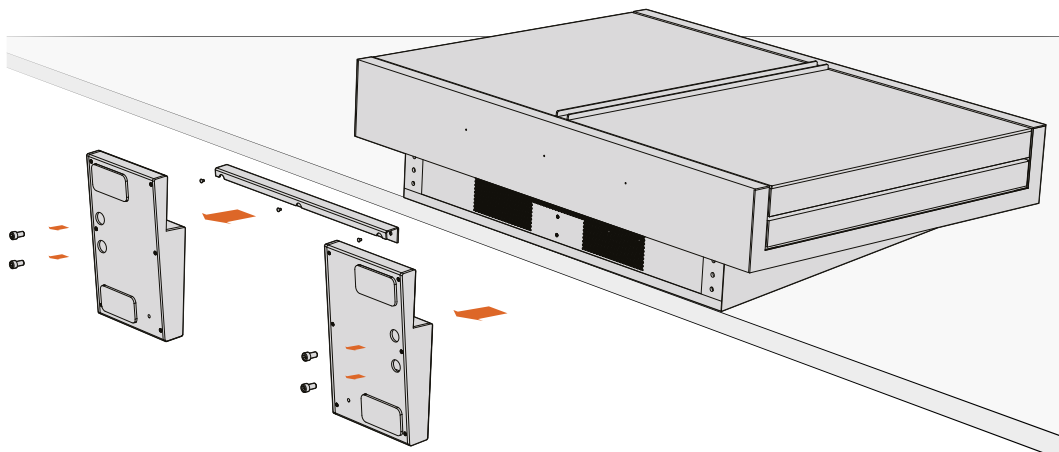
NOTA: Su seguridad es importante para nosotros. Recomendamos leer la siguiente página antes de instalar el escáner.

Instalación en paredes

El diseño elegante del escáner Cintel y su escaso espesor permiten colocarlo en cualquier pared.

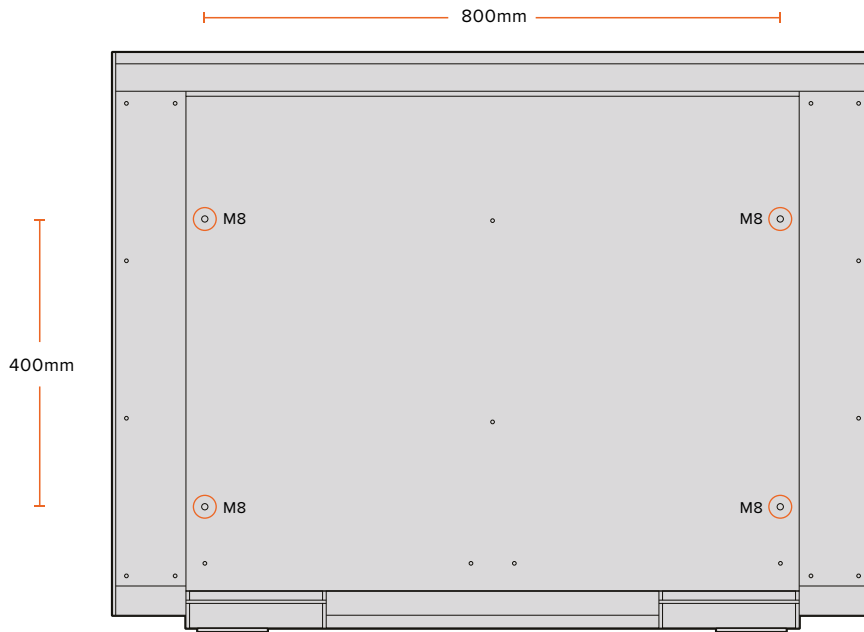
Para tal fin, primero es necesario quitar la barra amortiguadora y los pies de apoyo situados en la parte inferior del dispositivo.

- 1 Coloque el escáner con las puertas hacia arriba sobre una superficie plana y estable que pueda aguantar su peso.
- 2 Afloje los dos tornillos M8 situados en cada pie de apoyo mediante una llave Allen de 6 mm y quítelos con cuidado.
- 3 Utilice un destornillador Phillips para quitar la barra amortiguadora situada entre ambos pies de apoyo. Guarde todos los componentes en un lugar seguro, a fin de poder instalarlos nuevamente de ser necesario.



Es posible quitar la base de apoyo del escáner para colocarlo en una pared.

La siguiente ilustración muestra la ubicación de los tornillos M8 en el panel trasero del dispositivo. Asegúrese de utilizar este tipo de tornillos al colocar el escáner en una pared. Los tornillos M8 no deben tener más de 25 mm de longitud.



Advertencia sobre la instalación del escáner

El escáner Cintel puede superar los 70 kilos (155 libras) cuando contiene una bobina con una cinta cinematográfica. Este peso es significativamente mayor que el de un televisor de pantalla grande. Si no está seguro de la capacidad de la superficie escogida para soportar dicho volumen, recomendamos consultar a un ingeniero calificado con la finalidad obtener asesoramiento al respecto. La instalación incorrecta del dispositivo podría ocasionar su caída y provocar lesiones de carácter personal.

Al apoyar el escáner sobre una mesa o un escritorio, y en particular al situarse debajo de este para introducir los tornillos en la base, asegúrese de que dicha superficie sea plana y estable. Los accesorios empleados en la instalación deben ser lo suficientemente fuertes como para soportar el peso del dispositivo. Si la superficie escogida no presenta la solidez necesaria, el escáner podría caerse y ocasionar lesiones graves.

Al colocar el dispositivo en una pared, asegúrese de que la superficie elegida cuenta con la resistencia necesaria para soportar un uso prolongado del mismo. Si dicha superficie se torna inestable con el transcurso del tiempo, el escáner podría caerse y ocasionar lesiones graves. No instale el equipo en lugares inapropiados. Los accesorios empleados en la instalación deben ser lo suficientemente fuertes como para soportar el peso del dispositivo. De lo contrario, este podría desplomarse, ocasionando daños de una magnitud importante.

La instalación del escáner debe ser realizada por un equipo de dos o más personas. No intente llevar a cabo esta tarea sin obtener ayuda.

Primeros pasos

Luego de desembalar e instalar el escáner, basta con enchufarlo a la red de suministro eléctrico, conectar un equipo informático mediante el puerto Thunderbolt, ejecutar el programa DaVinci Resolve y colocar la cinta en el dispositivo. La salida HDMI permite ver el material digitalizado inmediatamente en un monitor externo. Consulte los apartados *Colocación de cintas* y *Controles de reproducción* para obtener más información al respecto.

Instalación del software

Los controles para la digitalización se encuentran en la interfaz del programa DaVinci Resolve. Por lo tanto, es necesario instalarlo antes de comenzar la captura de imágenes. El escáner incluye una llave electrónica que permite instalar la versión completa de la aplicación.

La última versión del sistema operativo interno del escáner se encuentra disponible en nuestra página de soporte técnico.

Una vez finalizada la descarga, descomprima el archivo obtenido y haga doble clic en el instalador. Se abrirá una carpeta que contiene diversos elementos. Ejecute la aplicación Blackmagic Cintel Installer y siga las instrucciones que aparecen en la pantalla para completar la instalación.

Las herramientas de desarrollo Cintel Scanner pueden emplearse para crear programas que permitan controlar el escáner e integrarlo en la dinámica de trabajo. Consulte el apartado *Herramientas de desarrollo* para obtener más información al respecto.

Conexión del cable de alimentación

Luego de instalar los programas necesarios en el equipo informático, es necesario conectar el dispositivo a la red de suministro eléctrico antes de preparar la cinta para la digitalización.

A fin de proporcionar energía al escáner, conecte un cable IEC al enchufe para corriente alterna situado en la parte inferior derecha del panel posterior. El Indicador de suministro eléctrico se encenderá de color verde.

Conexión a equipos informáticos

Hay dos formas de conectar el escáner a un equipo informático central. El puerto Thunderbolt 3 brinda compatibilidad con equipos Mac y Windows, mientras que la conexión PCIe externa permite conectar equipos Windows y Linux mediante el cable PCIe de Blackmagic Design. Asimismo, es posible conectarlo a un monitor externo a través del puerto HDMI para ajustar el enfoque o previsualizar las imágenes. Todas estas conexiones están situadas en la parte inferior derecha del dispositivo.

DaVinci Resolve

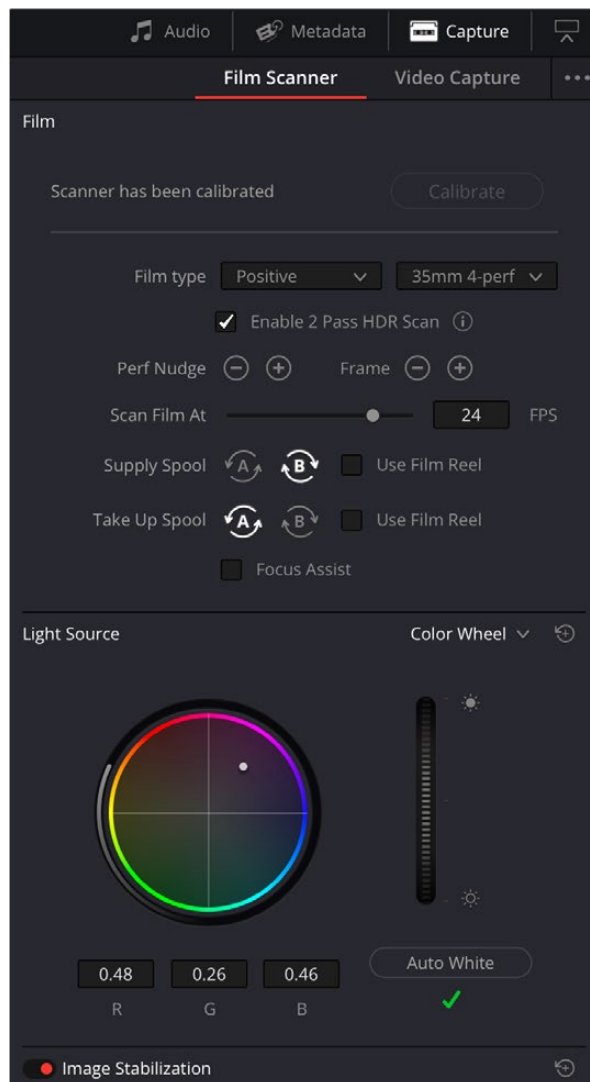
Ejecute DaVinci Resolve y seleccione el módulo Medios. Haga clic en el botón **Captura**, situado en la esquina superior derecha de la interfaz, para abrir las opciones, y seleccione **Escáner**.

El escáner digitalizará una gran cantidad de información, de modo que es necesario especificar la carpeta en la que se guardarán los archivos obtenidos.

Para ello, siga los pasos descritos a continuación:

- 1 Ejecute DaVinci Resolve.
- 2 Haga clic en la opción **Preferencias** del menú **DaVinci Resolve**.
- 3 Seleccione el panel **Almacenamiento** y haga clic en el botón **Agregar**. Seleccione la unidad o la carpeta donde desea guardar los archivos.
- 4 Haga clic en **Guardar** y reinicie el programa.

Consulte el apartado *Digitalización de cintas con DaVinci Resolve* para obtener información adicional sobre los controles del escáner en la interfaz del programa.



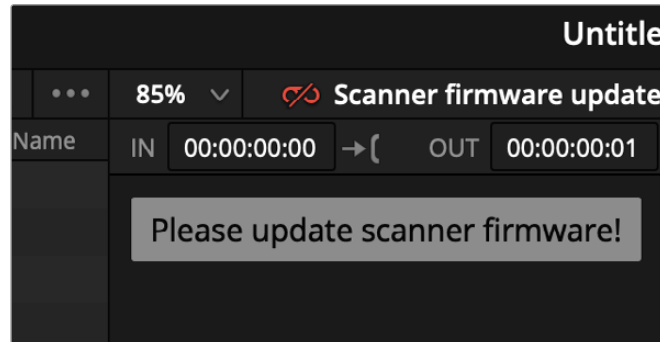
Las opciones de configuración para el dispositivo se encuentran en el panel **Escáner** de DaVinci Resolve.

Actualización de los dispositivos

Tanto el escáner Cintel como el lector de audio y números KeyKode cuentan con un programa operativo interno que debe actualizarse una vez instalado el programa utilitario Cintel Scanner en el equipo informático.

Escáner Cintel

Una vez instalado el programa Cintel Scanner y conectado el escáner, se determinará si este requiere una actualización.



DaVinci Resolve muestra un mensaje si el escáner está bloqueado.

Lector de audio y números KeyKode

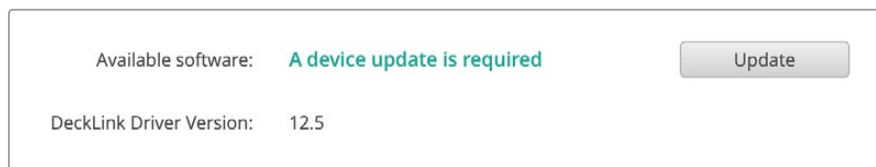
Si el lector de audio y números KeyKode necesita una actualización, DaVinci Resolve mostrará un mensaje de advertencia.

Actualización del dispositivo

Las actualizaciones del escáner y del lector de audio y números KeyKode se llevan a cabo mediante el programa utilitario Cintel Setup.

Para actualizar los dispositivos:

- 1 Conecte el escáner a una fuente de suministro eléctrico y al puerto Thunderbolt 3 o PCIe de un equipo informático.
- 2 Para actualizar el lector, conéctelo a un equipo informático mediante un cable USB-C.
- 3 Ejecute el programa utilitario Cintel Setup y seleccione el escáner o el lector.
- 4 Haga clic en el botón de ajustes y acceda a la pestaña **Setup**. Si hay una actualización disponible, haga clic en el botón **Update**.



La pestaña **Setup** indica si hay actualizaciones disponibles para el escáner o el lector.

Al finalizar el procedimiento, los dispositivos estarán actualizados, y podrá acceder a las herramientas y prestaciones más recientes.

Herramientas de desarrollo gratuitas

Blackmagic Design ofrece herramientas de desarrollo (SDK) gratuitas para el escáner que son compatibles con plataformas Mac, Windows o Linux. Estas incluyen ejemplos de aplicaciones que permiten controlar el dispositivo al igual que con DaVinci Resolve, pero mediante comandos.

Las herramientas de desarrollo pueden emplearse para crear programas que permitan controlar el escáner, cambiar ajustes, comenzar la digitalización y procesar clips. Aunque el dispositivo incluye DaVinci Resolve Studio, estas herramientas brindan la posibilidad de crear distintas aplicaciones, a fin de controlarlo desde equipos informáticos que no cumplan con las especificaciones recomendadas para el programa. Consulte la página para desarrolladores en el sitio web de Blackmagic Design desea fin de obtener más información al respecto.

¿Qué es HDR?

Alto rango dinámico o HDR es una técnica que combina múltiples imágenes a distintas exposiciones para ampliar el rango dinámico general y reducir el nivel de ruido. La digitalización se realiza en dos pasos. En el primero, la cinta se escanea a una exposición normal. El segundo implica digitalizarla a una exposición significativamente mayor para realzar los detalles en las partes más claras (negativos) o más oscuras (positivos) de las imágenes. Al combinar ambas exposiciones, se obtiene una mayor profundidad de bits.



Primer paso de la digitalización (exposición normal) a la izquierda y segundo paso (exposición alta) a la derecha

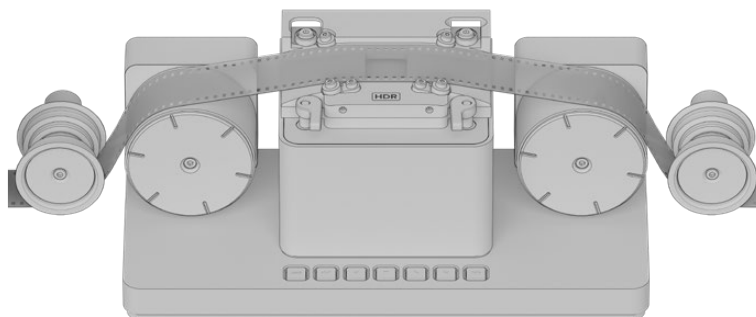


Estas imágenes obtenidas del mismo fotograma se han ampliado para mostrar la diferencia entre una digitalización con alto rango dinámico (izquierda) y una convencional (derecha). La primera presenta menos ruido, colores más precisos y mejores detalles en las sombras.

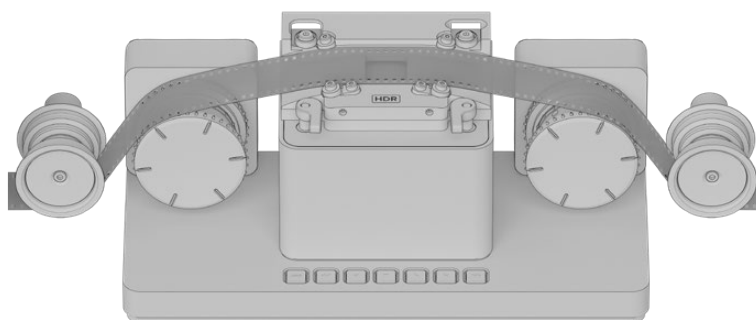
La ventanilla HDR de gran precisión y el estabilizador de imágenes alinean ambas digitalizaciones a nivel de subpixel mediante un filtro de redimensionamiento de alta calidad que permite obtener un clip sin artefactos.

Tipos de ruedas motrices

El escáner Cintel está equipado con cabrestantes o ruedas motrices, dependiendo del modelo. Ambos tipos de rodillos rotan para avanzar o rebobinar la cinta, y se detienen para alinear cada fotograma de manera precisa con la ventanilla del sensor de imagen. No es posible instalar una versión de rodillos distinta a la integrada en el escáner.



Los cabrestantes sujetan la cinta con una cantidad de fricción moderada y procesan cuidadosamente aquellas que son frágiles o tienen perforaciones dañadas.



Las ruedas motrices cuentan con una serie de dientes que se insertan en las perforaciones de la cinta sin tocar la parte que contiene las imágenes.

El rodillo principal arrastra la cinta, mientras que el secundario controla la tensión a fin de que esta pase sin problemas por la ventanilla. Además, están colocados de manera simétrica a efectos de poder transportar la cinta hacia delante o atrás con igual cuidado y precisión a distintas velocidades.

Ajuste de la cinta

Luego de establecer la comunicación entre DaVinci Resolve y el escáner, es preciso colocar la película en el dispositivo.

Acceso al escáner

Abra las puertas corredizas del escáner.

En el panel interior, notará una bobina alimentadora en la parte izquierda, donde se coloca la cinta que será digitalizada, y una bobina receptora a la derecha, que recoge la película luego de haber sido procesada.

Modo de bobinado

Seleccione el modo de bobinado adecuado, de forma que las bobinas giren en la dirección correcta. En el panel **Digitalización de cintas** del programa DaVinci Resolve, determine el sentido en el que se efectúa el bobinado haciendo clic en las letras **B** y **A**, situadas junto a las opciones **Original** y **Digitalizada** respectivamente.

De forma predeterminada, el modo de bobinado del escáner es B/A. Por lo tanto, la bobina alimentadora girará en sentido horario, mientras que la bobina receptora lo hará en sentido antihorario. Consulte el apartado *Modos de bobinado* en este manual para obtener más información al respecto.

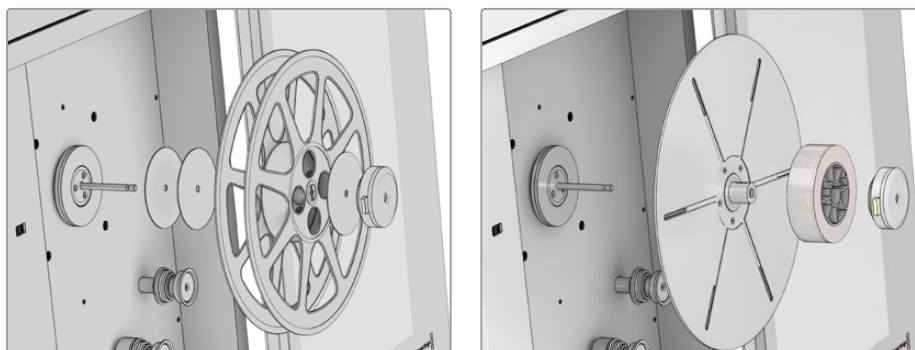
Este es un buen momento para verificar que el dispositivo se encuentre correctamente configurado, según el tipo de película que se vaya a procesar. En el panel de DaVinci Resolve que incluye los ajustes del escáner, es posible seleccionar el tipo de cinta adecuado y la configuración de las perforaciones.

Preparación de la bobina receptora

Coloque el núcleo de 75 mm incluido con el escáner en eje de la bobina receptora. Para instalar el sujetador del núcleo, apriete el botón, sitúelo sobre el eje y haga presión hasta que quede firme. A continuación, suelte el botón y continúe empujando el sujetador hasta que calce en su lugar.

Colocación de la cinta

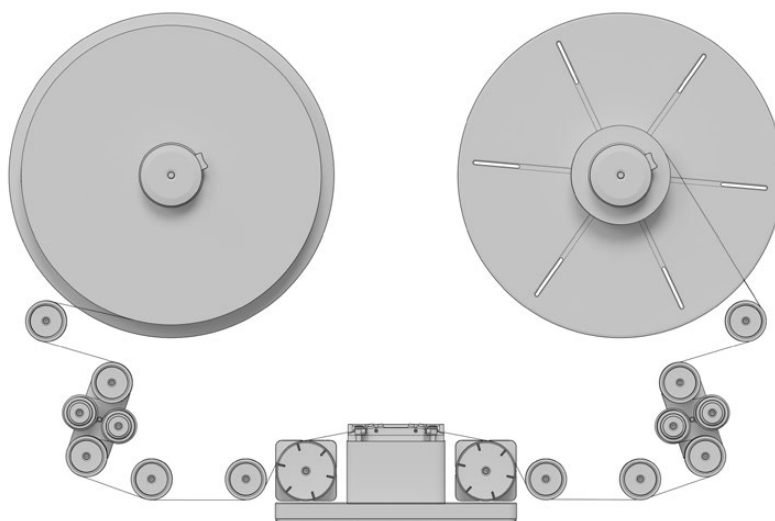
Coloque el núcleo o rollo en la bobina alimentadora siguiendo el procedimiento descrito en el paso 3. Nótese que este será ligeramente distinto en función del tipo de cinta y del soporte donde se encuentre enrollada. Por ejemplo, si se trata de un núcleo, es necesario colocar la bobinadora suministrada con el escáner, mientras que en el caso de un rollo será preciso utilizar espaciadores.



Las ilustraciones muestran la colocación de una cinta de 35 mm y un núcleo. Al colocar rollos en el escáner, no es necesario emplear la bobinadora. Simplemente utilice los espaciadores suministrados con el dispositivo. Si la cinta se encuentra enrollada en un núcleo, es preciso colocar la bobinadora.

Ajuste de la cinta

Pase la guía entre los rodillos del escáner como se ilustra a continuación.



El modo de bobinado B/A permite que la cinta se desplace desde la bobina alimentadora a la bobina receptora.

Tensionamiento de la cinta

Para sujetar la cinta a la bobina receptora, inserte uno de los extremos en la pestaña situada en la misma y gire la bobina suavemente, a fin de que la película calce en su lugar.

Si no desea doblar el extremo de la cinta para insertarla en la pestaña, aproveche la fricción generada por el bobinado para sujetar la cinta a la bobina. De manera alternativa, utilice una cinta adhesiva con un grado de adherencia moderado.

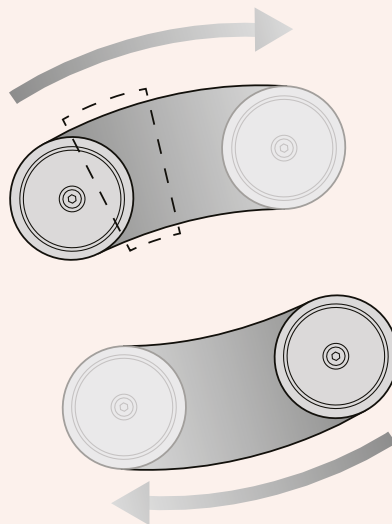
Para tensionar la cinta, presione el botón **LOAD** o gire ambas bobinas simultáneamente.

Tensionamiento manual

Notará que los brazos tensores situados debajo de cada bobina comienzan a moverse a medida que se tensiona la cinta, según se ilustra en el diagrama que sigue a continuación. Una vez que estos se hayan desplazado aproximadamente un tercio de su rango de movimiento, mantenga las bobinas fijas durante uno o dos segundos. El escáner detectará la cinta colocada en la bobina receptora y activará la función tensora automáticamente.

En caso de que ocurra algún problema durante el tensionamiento manual o automático, cancele el procedimiento presionando el botón **LOAD** nuevamente o sosteniendo cualquiera de las bobinas con firmeza.

A continuación, el escáner se detendrá.



Al tensionar la cinta manualmente, solo es necesario aplicar una tensión suficiente como para desplazar los brazos tensores hasta aproximadamente el punto medio de su rango de movimiento. El escáner tomará automáticamente el resto de la cinta.

Verificación de la cinta

Para comprobar que la cinta haya sido colocada de manera adecuada, presione el botón de reproducción en el escáner o haga clic en el botón correspondiente en DaVinci Resolve. Si es posible ver las imágenes en el visor o en la pantalla de un monitor HDMI conectado al dispositivo, el escáner funciona correctamente.

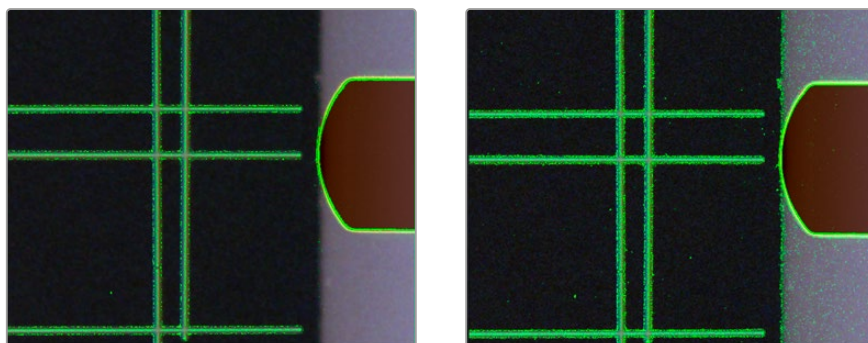
Según el modo de bobinado seleccionado, la imagen podría estar invertida en sentido vertical u horizontal. Para solucionar este problema, escoja el tipo de cinta adecuado. Por ejemplo, la imagen correspondiente a un negativo podría verse invertida de izquierda a derecha hasta seleccionar la opción **Negativo**. Si no es posible corregir el problema seleccionando el tipo de cinta apropiado, coloque la película nuevamente en el escáner y escoja un modo de bobinado distinto.

Para comprobar el estado de la película digitalizada en el modelo Cintel G3 HDR+, mantenga presionado el botón de detención o reproducción durante dos segundos. Esto activará el modo de inspección, que reduce la intensidad de la fuente lumínica sobre la cinta a fin de verificar si existen defectos, suciedad o rayas. De tal forma, es posible examinar la cinta adecuadamente y considerar si es necesario limpiarla o arreglar la bobina.

Enfoque

Al igual que en una cámara, es necesario ajustar el enfoque del sensor del escáner sobre la película proyectada. El dial de enfoque se encuentra situado en la columna central del dispositivo. La manera más efectiva de lograr un enfoque óptimo es utilizar el indicador de enfoque en el panel **Digitalización de cintas** de DaVinci Resolve. Del mismo modo que en las cámaras de Blackmagic, esta función permite ver un borde verde alrededor de las áreas más nítidas de la imagen. Esto brinda la posibilidad de modificar el enfoque hasta que dicho borde se note con claridad.

Para activar esta función, marque la casilla correspondiente en la interfaz de DaVinci Resolve y compruebe la imagen en el visor del programa o en el monitor conectado al dispositivo a fin de ajustar el enfoque. La granulosidad de la película proporciona una buena indicación al respecto. Cuando los granos se destacan en verde, la imagen se encuentra enfocada correctamente.



El indicador de enfoque, junto con la granulosidad de la película, permite lograr un ajuste óptimo. En el ejemplo anterior, es posible notar que la imagen está desenfocada en la parte izquierda y enfocada en la derecha. El indicador de enfoque destaca la granulosidad, que es más visible dentro del área perforada.

El indicador de enfoque funciona mejor con negativos, ya que este tipo de cintas son más nítidas y presentan una mayor granulosidad.

A fin de aprovechar al máximo el indicador de enfoque, seleccione la máxima resolución disponible para el visor. Acceda a las opciones situadas en la parte superior derecha del visor y seleccione **Vista previa en resolución completa** en el menú.

Cabe destacar que esta opción permanecerá activa hasta que el usuario la modifique. Este ajuste emplea una gran cantidad de recursos de la unidad de procesamiento gráfico y puede afectar el funcionamiento del visor provocando retrasos en la imagen, por ejemplo. Recomendamos verificar el enfoque a resolución completa y luego desactivar esta función para mejorar el funcionamiento.

Cierre de puertas

Para obtener mejores resultados, recomendamos cerrar las puertas del dispositivo. Estas han sido diseñadas para cerrarse con suavidad, de modo que basta con deslizarlas hasta que mecanismo de cierre comience a controlar el movimiento. Al cerrar las puertas del escáner, es posible evitar que la luz exterior afecte a la ventanilla donde se expone la película.

La fuente de luz del escáner permite eliminar la contaminación lumínica en la mayoría de los ambientes, salvo en aquellos muy luminosos. Dado que la cinta es bastante brillante, podría reflejar las luces del techo, generando de este modo manchas en las imágenes digitalizadas. Para evitar este problema, mantenga cerradas las puertas del escáner al procesar la película.

Luego de colocar y tensionar la cinta, ajustar el enfoque y cerrar las puertas del dispositivo, es posible comenzar la digitalización de la película.

Consulte el apartado correspondiente al escáner en el manual del programa DaVinci Resolve para obtener información adicional sobre cómo calibrar la fuente de luz, ajustar el estabilizador y modificar las diferentes opciones de captura. Asimismo, el manual brinda detalles sobre la sincronización del audio y la organización de los archivos que contienen las imágenes capturadas.

Para obtener información sobre las especificaciones técnicas del escáner y su mantenimiento, consulte los apartados correspondientes al final de este manual.

Uso del escáner

Este apartado brinda información sobre los diferentes modos de bobinado para películas de 8 y 16 mm. Además, explica cómo instalar y ajustar las ventanillas opcionales para estos tipos de cintas, y describe el uso de los controles de reproducción.

Modos de bobinado

El modo de bobinado hace referencia a la forma de colocar la película en el escáner y a la dirección en la que giran las bobinas del dispositivo. Como es posible apreciar en el diagrama que figura a continuación, en el modo de bobinado A la cinta comienza a desplazarse desde la parte superior de la bobina, mientras que en el modo B lo hace desde la parte inferior de la misma. Esto se aplica tanto a la bobina alimentadora como a la bobina receptora.

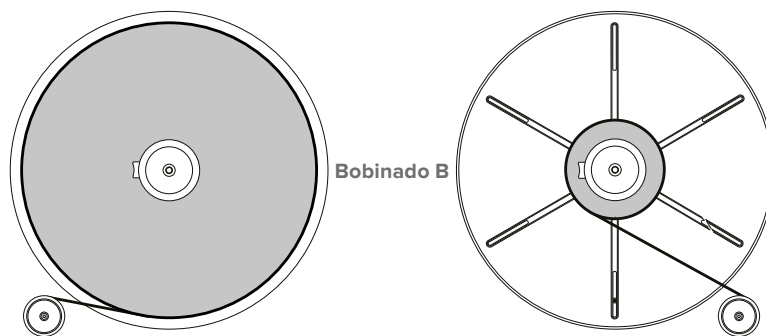
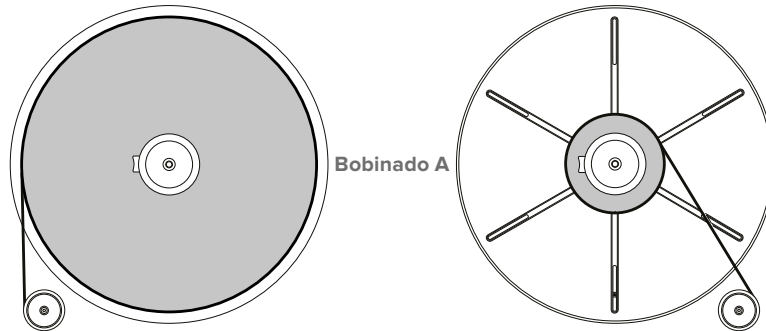
El modo de bobinado predeterminado es B/A. Este permite que la cinta se desplace desde la parte inferior de bobina alimentadora a la parte superior de la bobina receptora. Asimismo, se proporcionan otros modos que se adaptan a la forma en que la cinta ha sido enrollada. Simplemente seleccione la combinación más adecuada mediante los botones del panel correspondiente al escáner en el programa DaVinci Resolve.

El modo de bobinado incide en la dirección en la que giran las bobinas, las perforaciones y la posición de la información relativa al audio, y si la cinta se desplaza a través de la ventanilla con la emulsión hacia el exterior o el interior.

El modo de bobinado más adecuado puede seleccionarse desde el programa DaVinci Resolve.

Bobina alimentadora

Bobina receptora

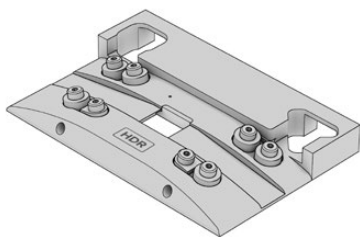


Una forma fácil de recordar la diferencia entre los dos modos de bobinado es que en el caso del modo A, la cinta comienza a desplazarse o se enrolla desde la parte superior de la bobina, mientras que en el modo B lo hace desde la parte inferior de la misma

Cintas de 16 mm

El kit opcional para cintas de 16 mm incluye todos los accesorios necesarios, y los cambios requeridos en el escáner son mínimos.

**Ventanilla
(16 mm)**



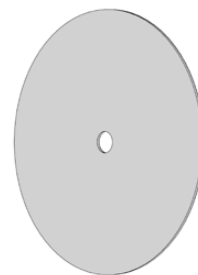
**Espaciador
interno (16 mm)**



**Espaciador
externo**



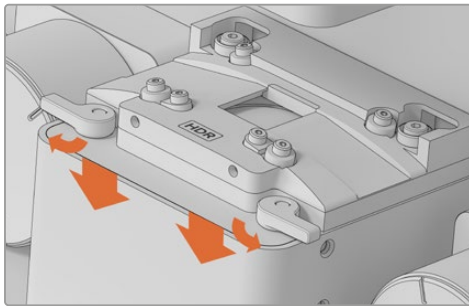
**Espaciador
de 1 mm**



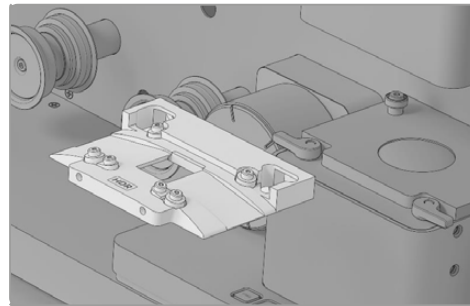
El kit incluye una ventanilla, dos espaciadores internos y otros dos externos para cintas de 16 mm, así como cuatro espaciadores de 1 mm.

Reemplazo de la ventanilla

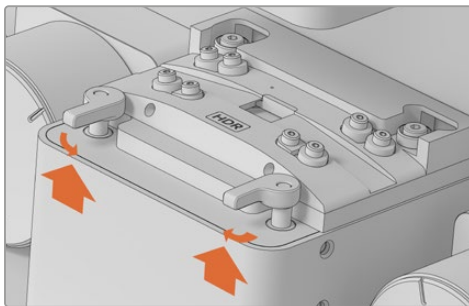
Para reemplazar la ventanilla de 35 mm, presione las palancas de retención situadas en la parte frontal y gírelas hacia afuera. Quite la ventanilla y reemplácela por la de 16 mm. Al colocarla, asegúrese de tirar de las palancas de retención hacia arriba antes de girarlas hacia adentro. De lo contrario, la pieza podría quedar floja.



Para quitar la ventanilla es necesario presionar las palancas de retención y girarlas hacia afuera.



Retire la ventanilla de 35 mm para instalar la de 16 mm.



Al colocar la ventanilla, tire de las palancas de retención hacia arriba y gírelas hacia adentro.

Colocación del espaciador interno

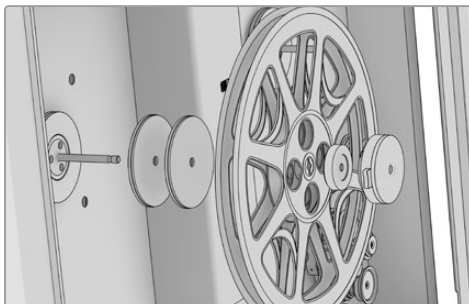
Inserte los espaciadores de 16 mm en la base de cada bobina. El espaciador se coloca con la ranura hacia adentro, antes del rollo o la bobina.

Espaciadores adicionales

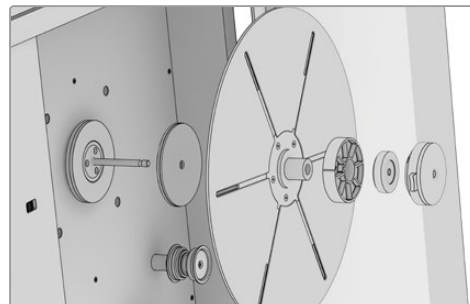
El kit para cintas de 16 mm incluye espaciadores adicionales de 1 mm, a fin de permitir la colocación de bobinas. Estos pueden utilizarse para ajustar la alineación entre la cinta y los rodillos del escáner.

Colocación de la cinta

Luego de colocar el núcleo o el rollo con la cinta de 16 mm en la bobina alimentadora y otro núcleo con su respectivo soporte en la bobina receptora, es necesario instalar el espaciador externo para sujetar las bobinas. Este incluye una pestaña y un anillo de goma en la cara interior para sujetarlo al núcleo o al rollo respectivamente. Una vez colocado el espaciador, enganche las bobinas siguiendo el procedimiento descrito anteriormente.



Colocación del rollo desde el eje hacia afuera: dos espaciadores internos (16 mm), cinta de 16 mm, espaciador externo y sujetador.



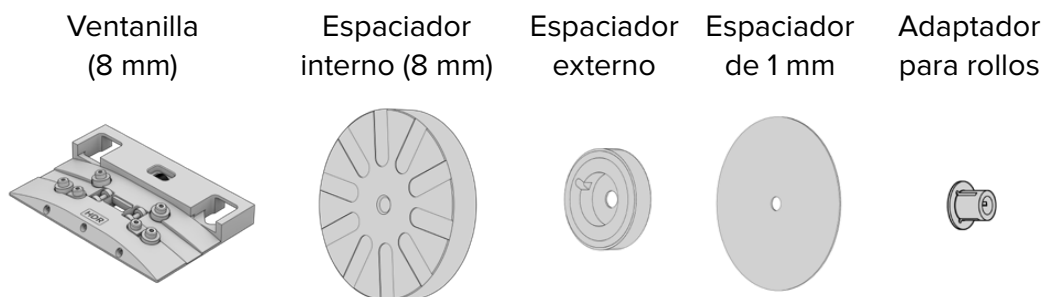
Colocación del núcleo desde el eje hacia afuera: espaciador interno (16 mm), bobinadora, núcleo (16 mm), espaciador externo y sujetador.

Ajuste de la cinta

Complete el ajuste de la cinta igual que tuviera instalada una ventanilla de 35 mm. Antes de presionar el botón **LOAD** o tensionar la cinta manualmente, compruebe que esa se encuentre correctamente posicionada sobre el rodillo principal. De lo contrario, la película podría dañarse.

Cintas de 8 mm

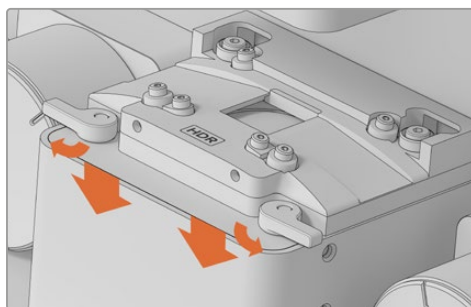
El kit opcional para cintas de 8 mm incluye todos los accesorios necesarios, y los cambios requeridos en el escáner son mínimos.



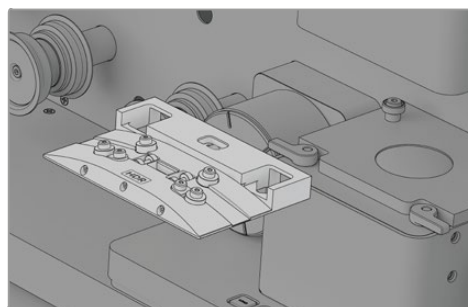
El kit incluye la ventanilla, dos espaciadores internos, dos espaciadores externos, cuatro espaciadores de 1 mm y dos adaptadores de 8 mm a Super 8 mm.

Reemplazo de la ventanilla

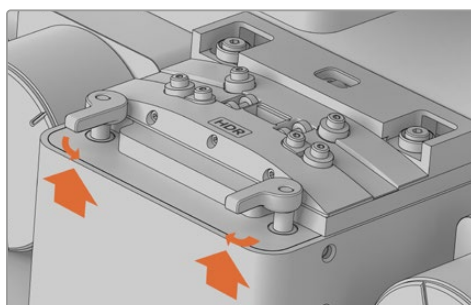
Para reemplazar la ventanilla, presione las palancas de retención situadas en la parte frontal y gírelas hacia afuera. Quite la ventanilla y reemplácela por la de 8 mm. Al colocarla, asegúrese de tirar de las palancas de retención hacia arriba antes de girarlas hacia adentro. De lo contrario, la pieza podría quedar floja.



Para quitar la ventanilla es necesario presionar las palancas de retención y girarlas hacia afuera.



Retire la ventanilla de 35 mm para instalar la de 8 mm.



Al colocar la ventanilla, tire de las palancas de retención hacia arriba y gírelas hacia adentro.

Colocación del espaciador interno (8 mm)

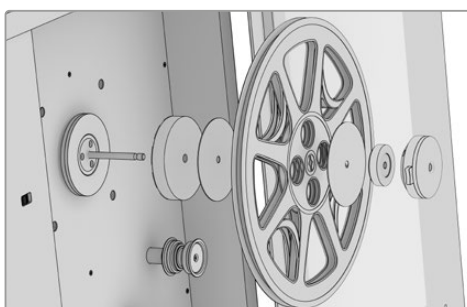
Inserte el espaciador metálico en la base de cada bobina. Este se coloca con la ranura hacia adentro, antes del rollo o la bobina.

Espaciadores adicionales

Se incluyen espaciadores adicionales de 1 mm, a fin de permitir la colocación de distintos tipos de rollos. Estos pueden utilizarse en ambos lados de la bobina para ajustar la alineación entre la cinta y los rodillos del escáner.

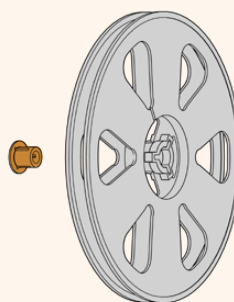
Colocación de la cinta

Luego de colocar el rollo con la cinta de 8 mm en la bobina alimentadora y otro rollo vacío en la bobina receptora, es necesario instalar el espaciador externo para sujetar las bobinas. Una vez colocado el espaciador, enganche las bobinas siguiendo el procedimiento descrito anteriormente.



Colocación del rollo desde el eje hacia afuera: espaciador (8 mm), espaciador de 1 mm, cinta de 8 mm, espaciador de 1 mm, espaciador externo y sujetador.

SUGERENCIA: Al utilizar cintas Super 8, coloque los adaptadores suministrados en cada rollo para garantizar el montaje correcto en el eje.

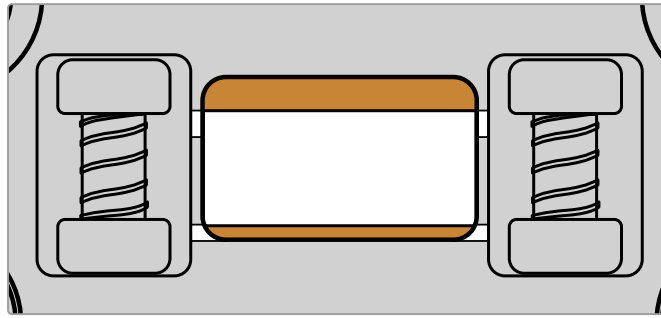


Ajuste de la cinta

Complete el ajuste de la cinta de forma descrita para las cintas de 35 mm. Antes de presionar el botón **LOAD** o tensionar la cinta manualmente, compruebe que se encuentre correctamente posicionada sobre los rodillos. De lo contrario, la película podría dañarse.

Uso de distintos formatos de 8 mm

La ventanilla opcional de 8 mm incluye cortinillas que permiten modificar su apertura para adaptarla a distintos formatos, por ejemplo, Standard 8, Super 8 y Max 8. De esta forma, al ajustarlas al tipo de cinta, es posible reducir el reflejo en el borde de las imágenes y optimizar su estabilización.

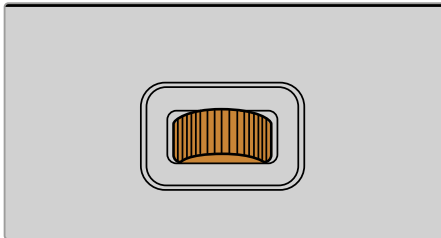


La ventanilla de 8 mm incluye cortinillas para ajustar su apertura.

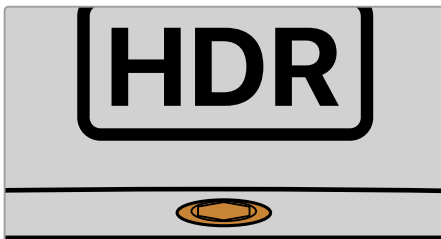
Las líneas de referencia blancas en la cara superior de la ventanilla facilitan su ajuste indicando la alineación para cada tipo de cinta.

No obstante, deben emplearse solo a modo de guía, ya que es posible que la película se haya encogido o que existan variaciones en la apertura de la cámara. El ajuste final puede realizarse observando una muestra de las imágenes en un monitor HDMI o en el programa DaVinci Resolve.

Para ajustar las cortinillas:

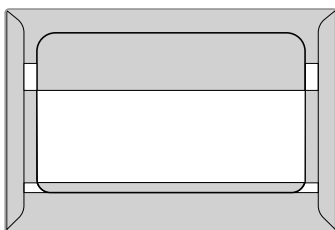


Ajuste la cortinilla correspondiente a las perforaciones superiores mediante la rueda ubicada cerca de la parte posterior de la ventanilla. Esto permite alternar entre cintas de 8 mm convencionales y Super 8.

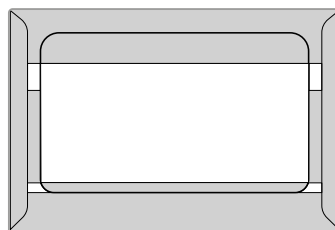


Gire el tornillo central en la parte frontal de la ventanilla con una llave Allen de 2 mm para ajustar la cortinilla inferior. Esto permite alternar entre cintas Super 8 y Max 8.

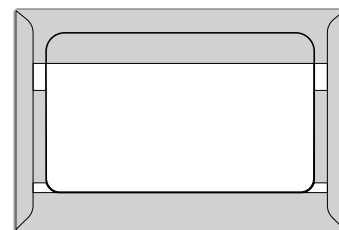
Las siguientes ilustraciones muestran las cortinillas ajustadas para cintas de 8 mm convencionales, Super 8 y Max 8.



Standard 8



Super 8



Max 8

Una vez ajustadas las cortinillas, es posible ver una muestra de la película y realizar ajustes adicionales para cubrir el área sin imágenes de la cinta.



Configuración incorrecta: Las cortinillas se encuentran demasiado abiertas, lo cual produce una franja blanca a ambos lados de las imágenes.



Configuración incorrecta: Las cortinillas se encuentran demasiado cerradas, lo cual produce una franja negra a ambos lados de las imágenes.

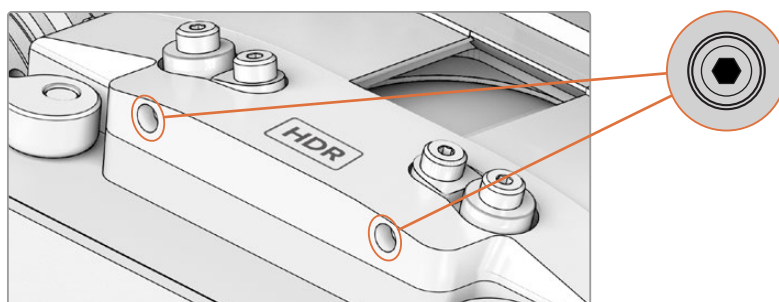


Configuración correcta: Las cortinillas se han ajustado correctamente para cubrir el área sin imágenes de la cinta.

Tornillos tensores

Los cuatro rodamientos situados en la ventanilla permiten mantener la trayectoria de la cinta y mejoran su estabilidad. Si alguno de ellos no se encuentra en contacto con la película durante su digitalización, es necesario ajustarlos. Para ello, apriete los tornillos M4 en la parte frontal de la ventanilla mediante una llave Allen de 2 mm.

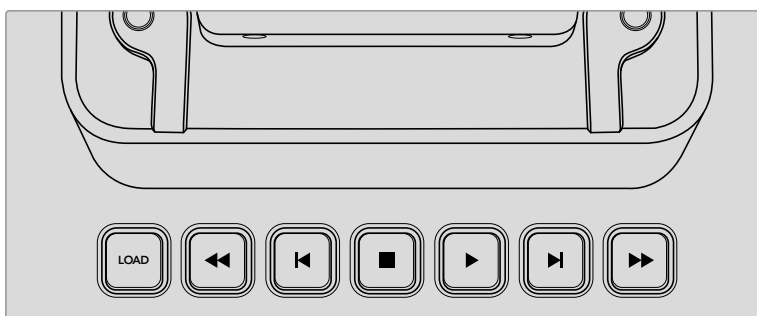
Cabe destacar que al aplicar demasiada tensión, podría ocurrir un ligero cambio en la posición de la imagen sobre la ventanilla, lo cual a su vez afectaría la calidad de la digitalización. En este caso, afloje los tornillos hasta lograr una apariencia normal en el material escaneado.



Los tornillos tensores se encuentran situados en la parte frontal de las ventanillas para cintas de 8, 16 y 35 mm.

Controles de reproducción

El escáner y la interfaz del programa DaVinci Resolve incluyen diversos controles de reproducción.



El dispositivo cuenta con varios controles de reproducción para tensionar la cinta y visualizar las imágenes escaneadas.



Importar

Al presionar el botón **LOAD**, se tensiona la cinta en las bobinas según se describe en el apartado *Ajuste de la cinta*.

Si se oprime nuevamente, se libera la tensión ejercida sobre la película, y los brazos tensores retoman su posición habitual.



Retroceso

Presione este botón para enrollar la cinta en la bobina alimentadora. Al oprimirlo una vez, la película retrocede hasta alcanzar la porción de la cinta correspondiente a la guía inicial en una bobina de 75 mm y luego se detiene. Presiónelo nuevamente para rebobinar el resto de la cinta lentamente, a fin de quitarla del dispositivo.

En el caso de bobinas de 50 mm, el escáner se detendrá de todas formas al alcanzar la porción de la cinta correspondiente a la guía inicial en una bobina de 75 mm. Al presionar el botón una vez más, el escáner continuará rebobinando la película lentamente hasta el punto en el que se encontraría totalmente enrollada si se tratase de una bobina de 75 mm. Si el dispositivo aún detecta la presencia de la cinta, continuará el rebobinado hasta alcanzar la porción de la cinta correspondiente a la guía inicial en una bobina de 50 mm y luego se detendrá. Oprima el botón de retroceso una vez más para finalizar de enrollar la cinta. En el caso de las cintas de 8 mm, el escáner se detendrá al alcanzar la porción de la cinta correspondiente a la guía inicial en bobinas de 63 o 32 mm, respectivamente.

Nótese que el escáner no está programado para detenerse en el caso de bobinas de 100 mm, dado que estas son muy poco comunes. Al emplear una de ellas, tenga cuidado con la forma en que coloca la película en la bobina receptora. Utilice la pestaña incluida para tales efectos. Si no desea doblar el extremo de la cinta para insertarla en la pestaña, aproveche la fricción generada por el bobinado para sujetar la cinta a la bobina. Evite el uso de cinta adhesiva con bobinas de 100 mm.



Rebobinar

Rebobina la cinta un fotograma. Mantenga presionado este botón para reproducir la cinta hacia atrás a baja velocidad.



Detener

Permite detener la reproducción, el avance o el retroceso de la cinta.



Reproducción

Permite reproducir la cinta. La frecuencia de imagen predeterminada es de 24 f/s. Desde el panel **Escáner** de DaVinci Resolve, es posible cambiar este valor y reproducir la cinta hacia atrás.



Rebobinar hacia adelante

Avanza la cinta un fotograma. Mantenga presionado este botón para reproducir la cinta hacia adelante a baja velocidad.



Avance rápido

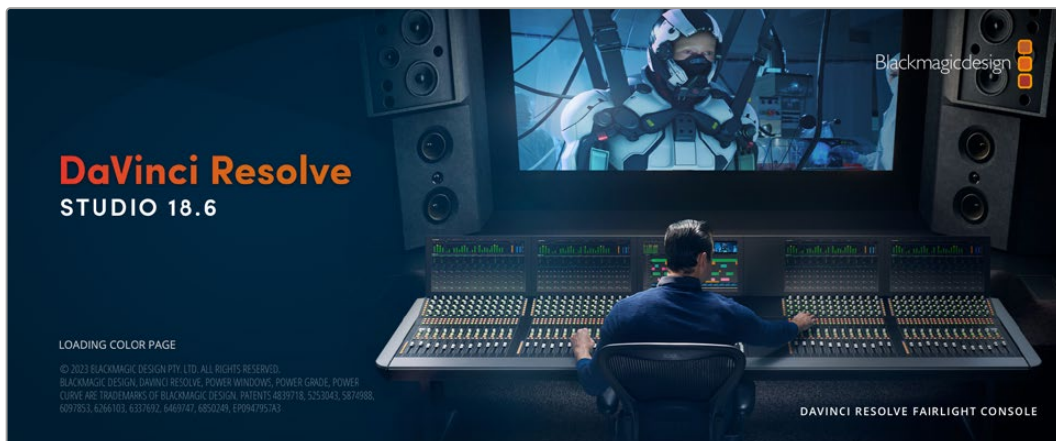
Permite avanzar la cinta rápidamente para enrollarla en la bobina receptora. El escáner se detendrá como lo hace al rebobinar bobinas de 50, 75 o 100 mm.

Al mantener presionados los botones de avance o retroceso, el escáner reproduce la cinta a una velocidad de 4 fotogramas por segundo. Esto también puede llevarse a cabo desde el panel del escáner en DaVinci Resolve haciendo clic en el control correspondiente y manteniendo presionado el botón del mouse.

Modo de espera

Cuando no se encuentre en funcionamiento, el escáner activará el modo de espera para extender la vida útil de la fuente lumínica. Esto sucede luego de 15 minutos si el dispositivo se ha conectado a un equipo informático mediante el puerto Thunderbolt, o en caso contrario al transcurrir 90 segundos. El indicador de alimentación parpadeará para señalar que la unidad se encuentra en modo de espera.

Digitalización con DaVinci Resolve

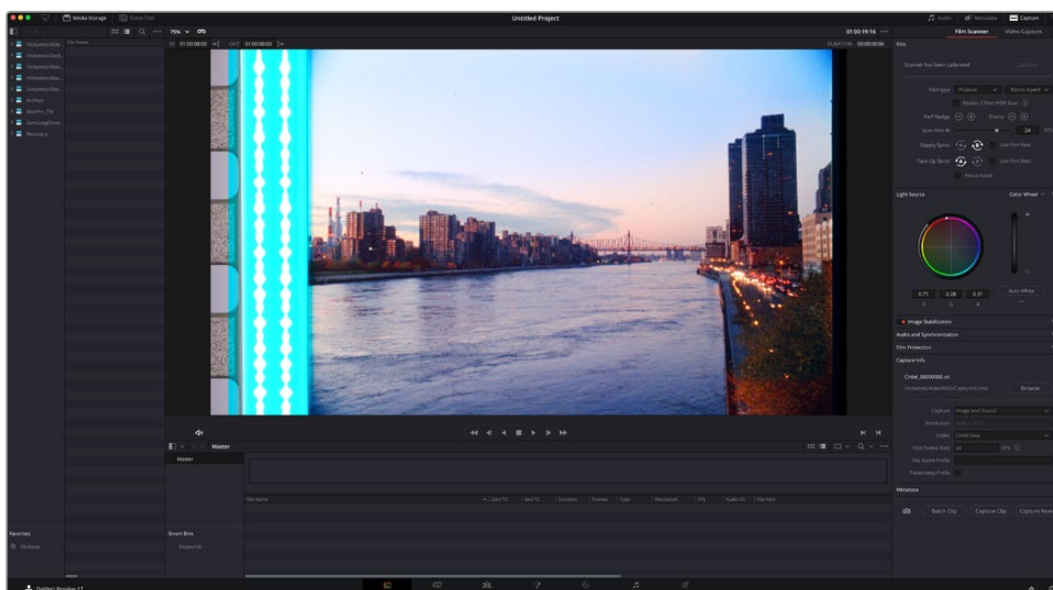


Este apartado del manual describe los ajustes y controles del escáner incluidos en el programa DaVinci Resolve. Desde su interfaz, es posible calibrar el dispositivo, ajustar la intensidad de la fuente lumínica y la temperatura del color, activar la estabilización de la imagen y modificar otros parámetros. Incluso es posible determinar el grado de moderación al procesar la cinta, con el objetivo de preservar películas antiguas delicadas.

SUGERENCIA: DaVinci Resolve guarda la configuración del escáner con los demás ajustes del proyecto abierto.

Interfaz del escáner

Haga clic en el botón **Captura** situado en la parte superior derecha de la interfaz para controlar el escáner desde DaVinci Resolve. Abra el panel de opciones del escáner en DaVinci Resolve a fin de configurar el dispositivo, calibrarlo y seleccionar diversos parámetros para registrar o escanear la cinta almacenada en la bobina o el rollo colocado en el dispositivo. Para ver más controles, haga clic en el botón situado a la derecha en la barra de herramientas y desactive el panel **Metadatos**.



Controles para el escáner en el módulo Medios

Controles de reproducción

A pesar de ser similares a los que aparecen en el modo **Reproducción**, estos controles situados debajo del visor permiten manejar el escáner. Asimismo, se incluyen opciones adicionales para adelantar o retroceder la cinta un fotograma.

Inicio y final

Estos botones situados a la derecha de los controles de reproducción permiten definir la parte de la cinta que se digitalizará.

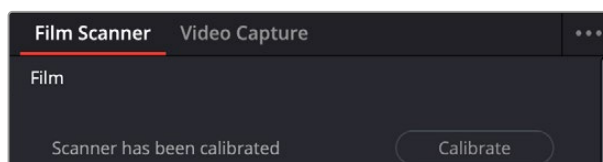
El siguiente grupo de ajustes aparece a la derecha del visor en el módulo **Medios**, cuando está activado el modo de digitalización.

Controles adicionales

Los restantes controles permiten calibrar el sistema óptico del escáner, seleccionar el tipo de película, ajustar la alineación con los fotogramas, determinar la velocidad de digitalización y el modo de bobinado, elegir el tipo de rollo y activar o desactivar el indicador de enfoque.

Calibración

Esta opción brinda la posibilidad de calibrar el sistema óptico del escáner, a fin de eliminar defectos o imperfecciones que serían imposible de quitar de otro modo. Nótese que esta función no permite remover el polvo de la cinta.



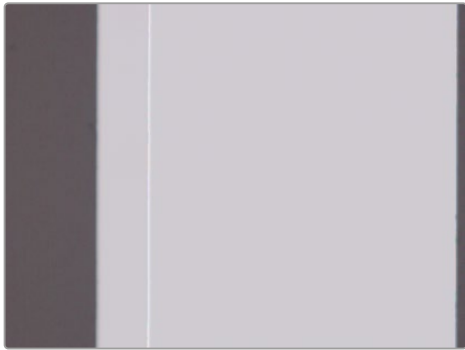
El botón de calibración brinda la posibilidad de eliminar polvo o pequeñas manchas del sistema óptico del escáner.

A pesar de que es recomendable limpiarlas antes de escanear el material, es posible que, con el transcurso del tiempo, no se puedan eliminar algunas imperfecciones. En este caso, el botón **Calibrar** brinda la posibilidad de quitarlas de la imagen digitalizada.

Realice la calibración del sistema óptico con la ventanilla instalada y alineada correctamente, ya que esto facilita la estabilización de la imagen y permite lograr la mejor calidad posible.

A fin de brindar compatibilidad con formatos de película más pequeños, el botón **Calibrar** permite analizar la ventanilla instalada en el dispositivo y ajustar la imagen digitalizada según una referencia de datos. Con el propósito de efectuar esto, el proceso de calibración debe llevarse a cabo cada vez que se sustituye la ventanilla, antes de colocar la película, para garantizar un funcionamiento óptimo.

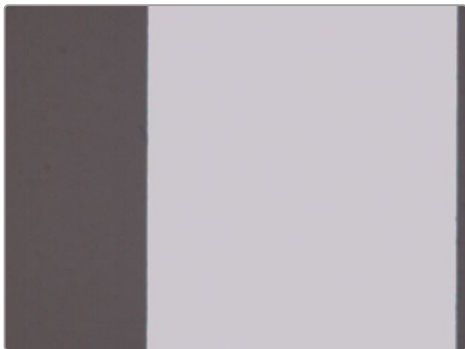
Al utilizar una ventanilla para cintas de 8 mm y ajustar las cortinillas para un formato de película distinto, es preciso repetir el proceso de calibración a fin de evitar errores en la digitalización.



Calibración incorrecta: película Super 8 mm con una calibración para cintas de 8 mm convencionales



Calibración incorrecta: película de 8 mm convencional con una calibración para cintas Super 8 mm

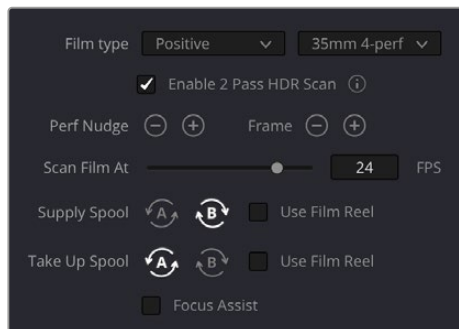


Calibración correcta para películas de 8 mm convencionales.

Tipo de cinta

Este menú desplegable permite seleccionar el tipo de cinta que se digitalizará. Tanto para películas a color como en blanco y negro, las opciones disponibles son **positivo**, **negativo**, **interpositivo** e **internegativo**. Cabe señalar que se logran mejoras al escanear en modo HDR. Seleccione el material que se digitalizará (cintas de 8 mm, Super 8, 16 mm o 35 mm con 2, 3 o 4 perforaciones). El escáner detecta automáticamente si la cinta es de 8, 16 o 35 mm. La opción predeterminada para películas de 8 mm es **Super 8**. Al escanear cintas de 8 mm convencionales, es preciso realizar los ajustes correspondientes de forma manual.

Al escanear interpositivos o internegativos, el aumento en la intensidad de la película requiere que la fuente de luz realice pulsaciones más prolongadas. En general, esto no afecta la calidad del material digitalizado. Sin embargo, podría ocurrir una leve disminución de la resolución al escanear a una velocidad mayor de 12 fotogramas por segundo. En caso de notar una diferencia en la resolución, reduzca la velocidad a la cual se procesa la película.



Controles para seleccionar el tipo de cinta en el módulo **Medios**

Activar digitalización HDR multipase

Permite realizar la digitalización en dos pasos con un alto rango dinámico. Cabe destacar que se deben activar las opciones **Negro automático** o **Blanco automático** en fotogramas con amplio rango dinámico, ya que brindan la posibilidad de determinar los niveles elevados y normales de exposición.

Desplazar perforaciones

Estos botones permiten ajustar ligeramente la posición de las perforaciones con relación a la apertura de la ventanilla. Al presionar las teclas **Command** y **J**, estas se desplazan hacia arriba. Oprimiendo **Command** y **L** se desplazan hacia abajo.

Fotograma

Mantenga presionados estos botones para activar esta función. El fotograma se mueve lentamente hacia arriba o abajo y se detiene al soltar el botón. Esto resulta de gran utilidad para alinearlos con el sensor del escáner. Al emplear los controles de desplazamiento, se recomienda alinear el fotograma de modo que la parte inferior del anterior y la parte superior del siguiente sean visibles en el visor. Asimismo, el fotograma debe estar centrado verticalmente.

Durante este procedimiento, es importante asegurarse de no acercarse a la imagen en el visor. Al presionar **Command** y la flecha izquierda, el fotograma se desplaza hacia arriba. Oprimiendo **Command** y la flecha derecha, se mueve hacia abajo.

Velocidad de digitalización

Si se dispone de un equipo informático con un rendimiento adecuado, es posible digitalizar la cinta a 30 f/s.

No obstante, al emplear unidades de almacenamiento más lentas, la opción **Digitalizar cinta a** brinda la posibilidad de reducir la velocidad de procesamiento, de modo que la frecuencia de imagen se adapte a la capacidad del equipo para evitar la omisión de fotogramas.

Cinta original

Este ajuste permite establecer la dirección en la que gira la bobina izquierda. A pesar de que la función de detección automática evita un uso incorrecto del dispositivo, es recomendable configurar manualmente la dirección del bobinado según el tipo de película procesada.

Bobina receptora

Este ajuste permite establecer la dirección en la que gira la bobina derecha. A pesar de que la función de detección automática evita un uso incorrecto del dispositivo, es recomendable configurar manualmente la dirección del bobinado según el tipo de película procesada.

Usar rollo de cinta

El peso y la inercia de las bobinas pequeñas es diferente al de aquellas de mayor tamaño, y esto puede afectar el desplazamiento de la cinta.

Marque las casillas junto a la dirección de bobinado para acceder a ajustes adicionales que mejoran la estabilidad de las bobinas pequeñas.

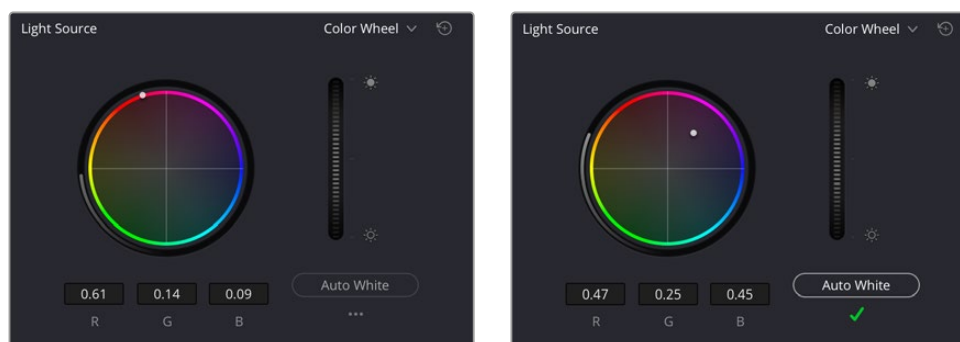
Ajuste de enfoque

Esta casilla permite resaltar la luminancia en la imagen que se ve en el monitor HDMI conectado al dispositivo y en el visor de DaVinci Resolve, a fin de ajustar el enfoque con mayor facilidad.

Ajuste de la fuente lumínica

Estos controles permiten ajustar la fuente lumínica del escáner para ajustar el nivel de densidad mínimo. Este parámetro corresponde al valor mínimo de digitalización, más la temperatura cromática del material escaneado. Al ajustarlo correctamente, se garantiza la calidad de las imágenes obtenidas y se evita la pérdida de detalles durante el proceso de digitalización. Se recomienda verificar este valor al cambiar la película a fin de lograr una calidad óptima.

Asimismo, las representaciones gráficas en DaVinci Resolve facilitan la selección de niveles óptimos. Para visualizarlas, seleccione **Activar/desactivar** en la opción **Representaciones gráficas** del menú **Área de trabajo**, dentro del módulo **Medios**.



Controles para la fuente de luz en el módulo Medios que muestran su estado sin calibrar a la izquierda y después de efectuar una calibración exitosa a la derecha.

Control general para la fuente lumínica

Este dial vertical situado junto al círculo cromático permite ajustar la intensidad de la fuente de luz empleada para iluminar la cinta y aumentar o disminuir los canales correspondientes a los colores rojo, verde y azul en forma simultánea. Asimismo, en el caso de los negativos tradicionales, brinda la posibilidad de determinar el punto más oscuro de la imagen. De hecho, en un negativo, este corresponde a las zonas más claras de la imagen visualizada. Compruebe que la intensidad lumínica se encuentre ligeramente por encima del valor normal mínimo (D-min) de 95, según el histograma. Esto garantiza que no se pierdan detalles en las luces durante una conversión logarítmica similar a la realizada mediante el sistema Cineon. En el caso de positivos, ajuste el dial para evitar la pérdida de detalles en la señal.

Negro / blanco automático

Este botón permite analizar el fotograma que aparece en el visor y lleva a cabo un ajuste automático del nivel del negro para los negativos e internegativos empleando el área seleccionada. En el caso de los positivos e interpositivos, ajusta el nivel del blanco a partir de la zona más brillante de la imagen. Por ello, la elección del fotograma es de suma importancia. De manera alternativa, con referencia a los positivos, es posible utilizar un fotograma con un agujero en el medio para determinar el nivel máximo del blanco, a fin de garantizar una homogeneidad en el resto de la película. Nótese que para este tipo de cintas, el botón en la interfaz dirá **Blanco automático**.

Indicadores de la fuente lumínica

Estos indicadores situados debajo del botón muestran si la calibración de la fuente de luz se ha realizado correctamente. Asimismo, sirven como un recordatorio útil a la hora de volver a calibrar dicha fuente, a los efectos de garantizar la calidad del material digitalizado.

	La calibración de la fuente lumínica aún no se ha llevado a cabo.
	La calibración de la fuente lumínica se ha realizado correctamente.
	Ha ocurrido un error al calibrar la fuente lumínica. Compruebe que el tipo de película sea correcto, que no existan obstrucciones y que se haya especificado un fotograma de referencia adecuado. De ser necesario, avance la cinta y escoja un fotograma de referencia alternativo.
	El proceso de calibración ha equilibrado los colores correctamente, pero no al nivel deseado. Para solucionar este problema, es posible aceptar el resultado y mejorar la imagen en el módulo Color de DaVinci Resolve o seleccionar un fotograma de referencia alternativo para llevar a cabo la calibración con un rango dinámico más amplio.

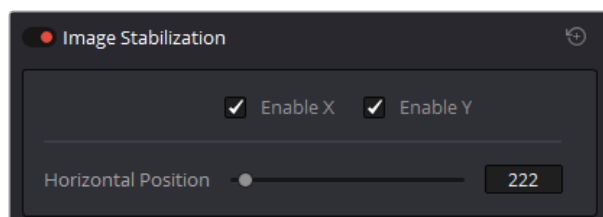
Controles RGB

En forma predeterminada, un control de balance cromático permite ajustar los canales rojo, verde y azul modificando la temperatura de la fuente lumínica. Los valores para dichos canales se visualizan en los tres campos situados debajo del círculo. De manera opcional, es posible visualizar este círculo como barras de color mediante el menú desplegable situado en la parte superior derecha de la ventana. Al activar esta opción, aparece un control deslizante vertical para cada canal.

NOTA: No es necesario volver a calibrar la fuente lumínica al cambiar el rollo. De esta forma, es posible digitalizar varios rollos realizando un único proceso de calibración, independientemente de la amplitud del rango dinámico. El resultado de dicho proceso será válido hasta que se lleve a cabo una nueva calibración o se reinicie el escáner.

Estabilización de imagen

Estos ajustes permiten activar o desactivar la función de estabilización, a fin de evitar saltos horizontales o verticales en la imagen.



Controles para la estabilización de imagen en el módulo Medios

Activar / desactivar

El punto situado a la izquierda de la barra de título permite activar o desactivar la función de estabilización en el escáner. A pesar de que se recomienda llevar a cabo este procedimiento cuando las perforaciones son de gran calidad, es posible que sea necesario desactivar esta opción si las perforaciones no se encuentran en buen estado y emplear la función integrada en DaVinci en su lugar.

Si esta opción se encuentra activada, el visor mostrará un control en el eje horizontal que indica la parte de la perforación utilizada como referencia para la estabilización. Este se oculta cuando el dispositivo se encuentra en funcionamiento. Cabe señalar que la función de estabilización está activada por defecto.

Eje X / Eje Y

Estas casillas permiten emplear la función de estabilización para evitar saltos de la cinta en sentido horizontal o vertical, respectivamente, a medida que esta se desplaza por la ventanilla. Si los resultados no son satisfactorios aun con ambas opciones marcadas, desactive el eje que genera problemas y utilice las herramientas de estabilización de DaVinci Resolve.

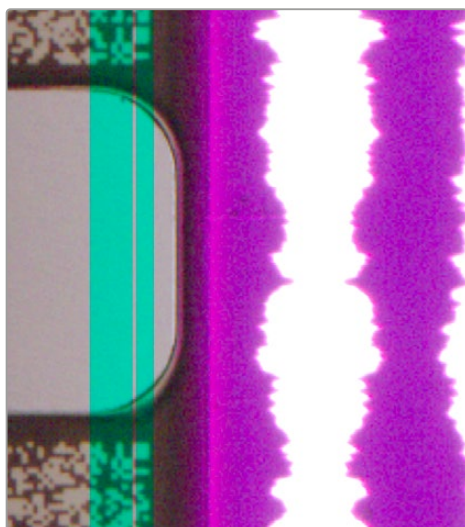
Control de posición horizontal

A fin de obtener mejores resultados, el escáner intenta situar automáticamente los controles de detección en la posición más adecuada, con respecto a la perforación del fotograma que se muestra en el visor.

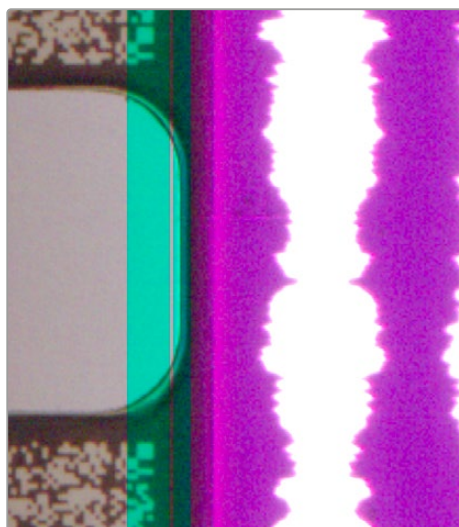
Notará una línea transparente en la banda azul. Para lograr una estabilidad óptima, esta deberá tocar el borde de la perforación. También es posible mover el recuadro a una posición más adecuada, ya sea arrastrándolo dentro del visor con el mouse o utilizando el control horizontal.

La posición ideal de la línea transparente sería sobre el borde de la perforación, como se ilustra en el ejemplo. Esto mejora la estabilidad a lo largo del eje X a medida que la cinta se desplaza por la ventanilla.

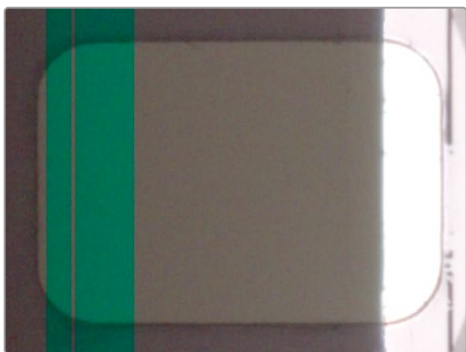
Al seleccionar la casilla **Enable Y** se activa la estabilización de imagen automática para saltos de la cinta en sentido vertical. No es necesario realizar otros ajustes y funciona junto con la estabilización en sentido horizontal.



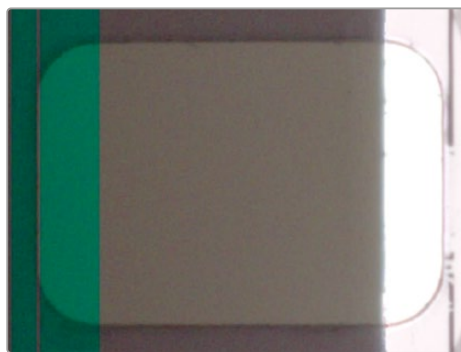
Posición incorrecta (35 mm). Ajuste de la posición horizontal del control de estabilización. El borde de la franja verde no coincide con el de la perforación.



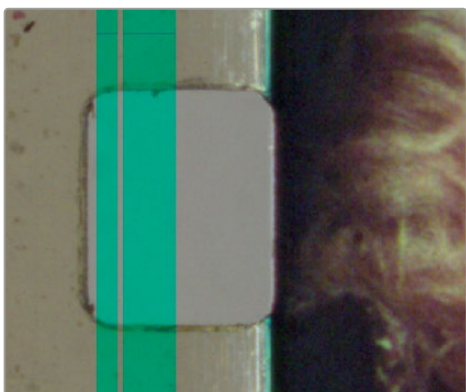
Posición correcta (35 mm). Control de estabilización situado correctamente sobre una perforación en el visor. El borde de la banda transparente coincide con el de la perforación.



Posición incorrecta (16 mm). Como se puede apreciar en la imagen, el borde de la franja verde no coincide con el de la perforación. Si se ha instalado una ventanilla para cintas de 16 mm (HDR), el estabilizador se alinea automáticamente con el otro lado de la perforación para evitar interferir con la imagen y, a su vez, mejorar la estabilidad horizontal. Cabe señalar que la ventanilla para cintas de 16 mm comunes funciona de la misma forma que la versión para cintas de 35 mm.



Posición correcta (16 mm). El borde de la franja de estabilización debe coincidir con el borde izquierdo de la perforación, a fin de evitar que el contenido de la imagen interfiera en el proceso. La banda transparente toca el borde de la perforación correctamente.



Posición incorrecta (8 mm). Como se puede apreciar en la imagen, el borde de la franja verde no coincide con el de la perforación.



Posición correcta (8 mm). El borde de la franja de estabilización debe coincidir con el borde izquierdo de la perforación, a fin de evitar que el contenido de la imagen interfiera en el proceso. La banda transparente toca el borde de la perforación correctamente.

A los efectos de verificar los ajustes de estabilización antes de digitalizar la película, seleccione la máxima resolución disponible para el visor y amplíe la imagen de la perforación con el fin de realizar ajustes precisos. Acceda a las opciones situadas en la parte superior derecha del visor y seleccione **Vista previa en resolución completa** en el menú. Luego, haga clic en el control de ampliación situado en la esquina superior izquierda del visor y seleccione **100 %**. Esta opción no afecta la estabilización y permite visualizar las imágenes con una mayor calidad, a fin de evaluar el desempeño de esta función.

Nótese que, al ver el material en máxima resolución, se emplean una gran cantidad de recursos de la unidad de procesamiento gráfico, lo cual podría generar un retraso al reproducir los fotogramas. Para mejorar el funcionamiento, desactive esta opción luego de comprobar la estabilización. Cabe mencionar que la posición de la franja está vinculada a la configuración del proyecto, independientemente del clip. Por consiguiente, tal vez sea necesario efectuar ajustes específicos para cada rollo.

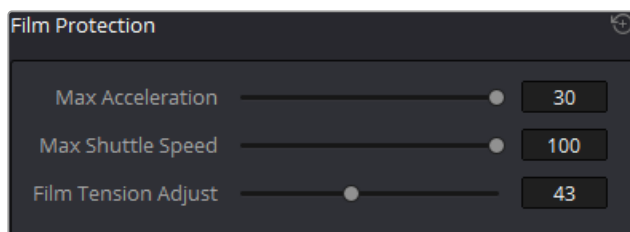
Es posible restablecer la posición por defecto de la franja de estabilización para un tipo de película en particular mediante el botón **Restablecer** en el panel de estabilización.

Audio y sincronización

Esta sección incluye ajustes adicionales para el lector de audio y números KeyCode. Consulte el apartado respectivo en este manual para obtener más información al respecto.

Protección de cintas

Estos controles brindan la posibilidad de procesar cintas delicadas. La aceleración y la velocidad de desplazamiento pueden afectar el material de archivo, de modo que es recomendable disminuir el valor de estos parámetros al digitalizar películas antiguas.



Se recomienda disminuir el valor de la aceleración y la velocidad de desplazamiento al digitalizar películas antiguas o delicadas.

NOTA: El ajuste para modificar la tensión de la cinta estará disponible al emplear modelos Cintel que incluyen ruedas dentadas.

Aceleración

Permite ajustar la velocidad máxima entre 5 y 30 f/s cada segundo.

Velocidad de desplazamiento

Permite establecer la velocidad de desplazamiento entre dos secciones de una cinta (1-100 f/s para 35 mm, 1-200 f/s para 16 mm).

Ajuste de tensión

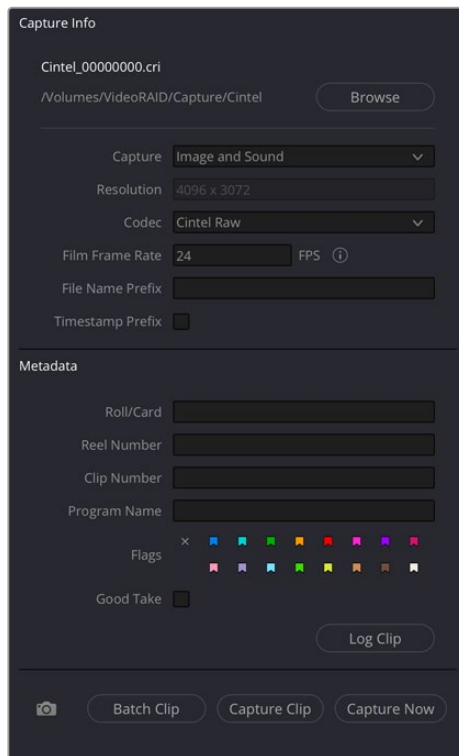
Si el escáner incluye ruedas dentadas, esta opción brinda la posibilidad de establecer la tensión que se aplica a una cinta de 35 mm, por ejemplo, al colocar una película delicada de archivo o compensar por el encogimiento de una cinta. Cabe destacar que no hay posibilidad de dañar la película empleando este ajuste. Solamente es necesario realizar cambios muy leves para lograr un funcionamiento adecuado del dispositivo.

Si el escáner cuenta con cabrestantes, esta opción no estará disponible.

Modificación de los metadatos y la información al digitalizar

Al utilizar el escáner con DaVinci Resolve, aparecen varios campos con metadatos en la parte inferior del panel correspondiente al dispositivo en la interfaz del programa. Estos proporcionan información sobre la captura, por ejemplo, la ubicación de los archivos, el tipo de códec, la frecuencia de imagen y el formato de la nomenclatura. Los datos están integrados al clip y pueden leerse en el módulo Medios.

Antes de comenzar la digitalización, quizás sea necesario modificar algunos ajustes del proyecto.



El panel **Información de captura** permite introducir metadatos para los clips digitalizados.

Ubicación de la captura

Antes de comenzar con el proceso de digitalización, recomendamos verificar el panel **Información de captura** para comprobar que los archivos se guarden en la carpeta y la unidad deseadas. Haga clic en el botón **Buscar** y seleccione una ubicación en el cuadro de diálogo correspondiente. Dado que es fácil olvidar este paso, sugerimos realizarlo en primer lugar.

Captura

Si el escáner cuenta con un lector de audio y números KeyKode, este menú brinda la posibilidad de digitalizar el sonido y las imágenes o solo el audio. De manera alternativa, también es posible capturar las imágenes solamente.

Resolución

La resolución de las capturas depende del formato del material original, de modo que esta opción no puede modificarse.

Códec

El códec predeterminado es **Cintel RAW**, aunque también es posible seleccionar la opción **Cintel RAW 3:1** para obtener archivos más pequeños.

Frecuencia de imagen de la cinta

Especifique la frecuencia de imagen original de la cinta. DaVinci Resolve ajusta automáticamente la frecuencia de imagen de la línea de tiempo de acuerdo con este parámetro. Este ajuste no está relacionado con la velocidad de captura o transporte de la cinta.

Al emplear el lector para escanear bandas de sonido, este ajustará automáticamente la velocidad para mantener una frecuencia de muestreo general de 48 kHz. La salida para el código de tiempo es compatible con frecuencias de imagen a 16, 24, 25 y 30 f/s. Para otras configuraciones no se mostrará el código de tiempo.

Prefijo del archivo

Prefijo utilizado para facilitar la identificación de la captura. Puede ser el nombre del proyecto o de la película digitalizada.

Prefijo con código de tiempo

Marque esta casilla para que el prefijo incluya además una marca de tiempo. Los clips se guardarán en carpetas independientes, dentro de la carpeta de destino. Esta opción se encuentra seleccionada por defecto.

Para guardar todos los clips en una misma carpeta, sin el código de tiempo en el prefijo, compruebe que la casilla no esté marcada.

NOTA: Si no se individualiza el material digitalizado con el prefijo de marca de tiempo y los archivos se guardan en la misma ubicación, estos podrían reemplazar a otros archivos.

Rollo/Tarjeta, número de bobina, número de clip y nombre del programa

Opciones adicionales para la identificación del clip.

Etiquetas

Las etiquetas de colores permiten clasificar los clips.

Buena toma

Corresponde a los metadatos de la toma marcada en el panel multimedia.

Registrar clip

Añade el clip al panel multimedia. Una vez marcado el inicio y el final de la parte que desea digitalizar, haga clic en este botón. Consulte los apartados correspondientes en el manual de DaVinci Resolve para obtener más información al respecto.

Digitalizar rangos, digitalizar clip, digitalizar ahora, capturar

Estos botones ofrecen distintas opciones para digitalizar los clips. Consulte el apartado *Digitalización de una o varias partes de la cinta* para obtener más información al respecto.

Procesos de digitalización

Los siguientes apartados describen procedimientos para digitalizar cintas y controlar el escáner desde el programa DaVinci Resolve. Las prestaciones descritas anteriormente se mencionan en el orden en el cual se aplican durante cada proceso.

Antes de comenzar

Antes de encender escáner y colocar la cinta, es recomendable limpiar la ventanilla con aire comprimido, a fin lograr resultados con la mejor calidad posible. Asimismo, es posible quitarla para limpiarla de manera más minuciosa. A continuación, encienda el escáner, abra DaVinci Resolve y cree el proyecto en el que se utilizará material digitalizado. Luego, haga clic en el botón **Digitalización con Cintel** situado en el módulo **Medios**. Seleccione la opción **Digitalización de cintas** en el panel correspondiente.

Antes de continuar, haga clic en el botón **Calibrar** situado en la parte izquierda inferior del panel. A pesar de que se recomienda limpiar la ventanilla cada vez que se coloca un rollo nuevo en el escáner, la opción **Calibrar** permite eliminar las imperfecciones de las ópticas que de otra manera se verían reflejadas en las imágenes digitalizadas.

Colocación y alineación de la cinta

Coloque la cinta que desea digitalizar. Al detectar una imagen, el escáner alinea un fotograma automáticamente. Es posible que este procedimiento se realice de manera incorrecta si la cinta cuenta con una guía sin contenido al inicio.

A continuación, seleccione el tipo de película. En caso necesario, utilice los controles de desplazamiento para las perforaciones, a fin de alinear el fotograma manualmente, de modo que la parte inferior del anterior y la parte superior del siguiente sean visibles en el visor. Asimismo, el fotograma debe estar centrado verticalmente. Durante este procedimiento, es importante asegurarse de no acercarse a la imagen en el visor.

Enfoque

Al igual que en una cámara, es necesario ajustar el enfoque de la película proyectada sobre el sensor. Seleccione la opción **Indicador de enfoque** en el panel correspondiente del programa DaVinci Resolve, a fin de lograr mejores resultados. El indicador puede verse tanto en la imagen transmitida mediante la salida HDMI del dispositivo como en el visor de DaVinci Resolve. Asimismo, es posible conectar un monitor UHD al escáner para ver el contenido en la resolución máxima disponible.

Al activar el indicador de enfoque, será posible detectar la granulosidad de la imagen digitalizada siempre que se encuentre enfocada correctamente. De este modo, el usuario cuenta con la oportunidad de ajustar el enfoque en el escáner, aun cuando el material original esté fuera de foco. Basta con mirar la imagen UHD mientras se mueve el control de enfoque. Los mejores resultados se logran al apreciar bordes resaltados en los granos de la película.

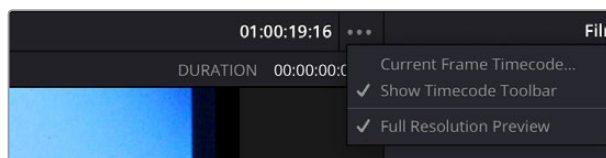
Es posible comprobar los ajustes focales realizados verificando el contorno de las perforaciones de la cinta. Si este es nítido, el enfoque es correcto.

Restablecer el código de tiempo

A efectos de establecer el código de tiempo para el rollo que se digitalizará, es necesario ubicar el primer fotograma. En este sentido, es habitual realizar un pequeño orificio antes de dicho fotograma, a modo de referencia permanente, que puede emplearse cada vez que se digitalice la película. Por lo general, este se denomina «fotograma indicador». Al hacer coincidir el fotograma inicial con el fotograma indicador, las digitalizaciones siguientes tendrán el mismo número de fotogramas, lo cual hace posible que el mismo material puede escanearse y conformarse cuantas veces sea necesario.

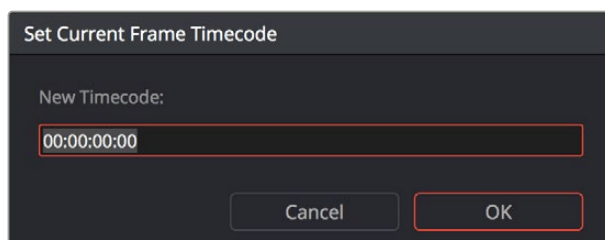
Para establecer el código de tiempo según fotograma indicador en un rollo nuevo:

- 1 Utilice los controles de reproducción debajo del visor para ubicar el fotograma.
- 2 Haga clic en el menú **Visor** y seleccione **Código de tiempo para fotogramas**.



Opción **Código de tiempo para fotogramas** en el menú **Visor**

- Ingrese un valor en el cuadro de diálogo que aparece. Por ejemplo, para digitalizar el primer rollo de un proyecto, ingrese 01:00:00:00.



Cuadro de diálogo **Código de tiempo para fotogramas**

- Al finalizar, haga clic en **Aceptar**.

Dado que el código de tiempo no puede tener un valor negativo, evite ingresar 0 en dicho campo. Otra técnica habitual es cambiar el número de hora al reemplazar el rollo, de forma que coincida con el número de cinta. De este modo, se facilita la identificación del clip digitalizado con el rollo original y el rango de fotogramas correspondiente.

El escáner cuenta con puertos que facilitarán la conexión de otros equipos en un futuro. Esto permitirá añadirle prestaciones adicionales, tales como la posibilidad de leer los números o códigos situados en el borde del negativo. Consulte el apartado *Lector de audio y números KeyKode* para obtener más información al respecto.

Ubicación del material digitalizado

El siguiente paso consiste en determinar la carpeta donde se guardará el material digitalizado. Para ello, haga clic en el botón **Buscar**, situado en la parte superior del panel **Captura**. Los campos restantes permiten indicar el prefijo añadido al nombre de los archivos digitalizados y las carpetas que los contienen. Al modificar el campo **Prefijo del archivo**, se actualizará el nombre mostrado en la parte superior del panel. Allí se indica además la ruta, la resolución, la duración y el formato. Especifique la información que desea vincular al material digitalizado. Por defecto, la casilla **Prefijo con tiempo** en la sección **Captura de pantalla** está marcada. En consecuencia, los clips se guardarán en subcarpetas dentro de la carpeta principal, y se agregará un prefijo con el código de tiempo al nombre del archivo.

Para guardar todos los clips en una misma carpeta, compruebe que dicha casilla no esté marcada.

Al emplear el modo HDR, el escáner aumenta el grado de exposición y guarda el material digitalizado en una carpeta oculta denominada .HDR, dentro de la misma carpeta que el archivo producto de la digitalización convencional. Si se elimina la carpeta .HDR, dichas imágenes se transforman en un clip normal al actualizar el archivo en la unidad de almacenamiento y importarlo nuevamente desde el panel multimedia. Esto resulta de utilidad si ocurre un problema con la parte del material digitalizado en HDR, ya que puede convertirse fácilmente en un clip CRI.

Verificación del códec

El códec predeterminado es **Cintel RAW**, aunque también es posible seleccionar la opción **Cintel RAW 3:1**.

El formato RAW de Cintel

El patrón de Bayer de cada fotograma digitalizado mediante el escáner se almacena como metadato en una secuencia CRI (Cintel Raw Image) lineal de 12 bits. DaVinci Resolve procesa dichas imágenes automáticamente teniendo en cuenta la información logarítmica.

Esta es similar a la codificación en formato Cineon. El negativo se codifica mediante una curva de respuesta tonal cuya densidad es de 2046, mientras que la película positiva se codifica con una curva Gamma 2.2 de rango completo, a fin de garantizar que no se pierdan datos en la imagen. Dichas codificaciones pueden transpolarse a un espacio cromático lineal mediante la tabla «Cintel to Linear», antes de convertirlas a otros espacios.

La cinta se escanea empleando la apertura completa del sensor (4096 x 3072), de este modo la onda correspondiente al audio se mantiene visible, y se facilita el uso de las perforaciones para estabilizar la cinta. La imagen se recorta y la resolución de los archivos digitalizados depende del formato del material original, sin considerar el área correspondiente al audio y a las perforaciones. Consulte el apartado *Especificaciones* para obtener más información al respecto.

Por defecto, el escáner Cintel genera archivos comprimidos sin pérdida de información, a una velocidad de transferencia variable. Esto permite lograr una reducción de aproximadamente 3:2 en el tamaño del archivo, según la complejidad de la imagen. Sin embargo, el escáner utiliza una compresión con una relación de 3:1. Aunque de todas maneras la calidad es muy buena, puede haber una pérdida de información. Por ejemplo, los archivos correspondientes a cintas de 35 mm con 4 perforaciones tienen un tamaño de 12.5 MB en formato Cintel RAW, y 6.3 MB en formato Cintel RAW 3:1. Por su parte, aquellos correspondientes a cintas de 16 mm son de aproximadamente 4 MB en formato Cintel RAW, y 2 MB en formato Cintel RAW 3:1.

Ajustes de calidad para el formato CinemaDNG

A fin de controlar la calidad de los archivos CRI, utilice los parámetros **Decodificación y CinemaDNG** en la opción **Perfil RAW**, dentro del panel **Ajustes RAW** de la ventana **Configuración del proyecto**. La calidad predeterminada es la máxima. A pesar de que puede reducirse en equipos informáticos con menor cantidad de recursos, esto afectará la calidad de la renderización final.

Resolución de la línea de tiempo

DaVinci Resolve muestra el material digitalizado en la misma resolución de la línea de tiempo. Por ejemplo, para una cinta de 35 mm con 4 perforaciones, se requiere una resolución de 4096 x 3072 para lograr la máxima definición.

NOTA: Si la línea de tiempo se ha configurado para imágenes de alto rango dinámico y la entrega debe realizarse en definición UHD, puede que ocurra una pérdida de resolución.

Consulte las resoluciones efectivas en las especificaciones técnicas para obtener más información sobre dicho parámetro en imágenes recortadas. Para ver la resolución original del clip digitalizado, compruebe sus atributos en DaVinci Resolve.

Ajuste cromático del escáner

Las opciones de configuración para el dispositivo en DaVinci Resolve brindan control sobre la exposición y la temperatura del color de la fuente de luz empleada en la iluminación de la cinta para su digitalización. De este modo, es posible maximizar la cantidad de información extraída de cada fotograma y a su vez evitar la pérdida de detalles irre recuperables. A pesar de que el formato CRI mantiene la información original de la imagen, no hay una latitud que supere el rango de datos interno empleados en DaVinci. Por lo tanto, si la señal aparece recortada en las representaciones gráficas durante la digitalización, es posible que dichos datos se eliminen de manera permanente del archivo escaneado.

La frecuencia con la que se ajusta el color y la exposición de las tomas escaneadas depende de la variedad de escenas en un rollo determinado. Por ejemplo, algunos pueden contener varias tomas de la misma escena, todas con la misma luz y los mismos ajustes.

Sin embargo, otros rollos pueden incluir una amplia variedad de escenas con diferente iluminación en cada una, lo cual requiere ajustar individualmente cada clip digitalizado, a fin de optimizar la calidad de la imagen.

Esto es importante, dado que no es posible ajustar las opciones **Control general y RGB** automáticamente entre clips digitalizados durante el registro de datos y la captura. Esto significa que la configuración de la fuente lumínica se empleará para todo el material escaneado hasta que los ajustes se modifiquen manualmente, incluso para archivos generados a partir de distintas partes de la película. Por consiguiente, se sugiere implementar este tipo de procedimiento solo cuando sea necesario registrar varios clips que compartan los mismos parámetros con relación a dichos controles.

De lo contrario, es recomendable modificar estos ajustes cada vez que se realiza una digitalización, en situaciones en las que se requiere obtener la mejor calidad de imagen. Tenga en cuenta que el objetivo de estos parámetros no es crear el aspecto final de los clips, sino aprovechar al máximo los datos de la imagen escaneada. La apariencia se modifica posteriormente durante la etapa de etalonaje, mediante los controles del módulo **Color**.

Para configurar los parámetros de la opción **Fuente de luz**, seleccione una imagen representativa de una sección del rollo en particular, o de las primeras series de tomas que se digitalizarán, y ajuste la fuente de luz mientras observa las representaciones gráficas.

Ajuste la opción **Control general** a fin de determinar la intensidad de la luz utilizada para iluminar la película, aumentando o disminuyendo los valores de los canales rojo, verde y azul en forma simultánea. En negativos tradicionales, esto permite determinar el nivel del negro en la imagen, que en realidad corresponde a las zonas más claras en la película. Ajuste el control general ligeramente por encima del valor normal mínimo (D-min) de 95, según el histograma en las representaciones gráficas. Esto evitará la pérdida de detalles en las luces durante la conversión mediante el sistema Cineon LOG empleado por DaVinci al aplicar una interpolación cromática a una imagen en formato CRI. Para los positivos, ajuste la intensidad de la fuente lumínica a fin de no perder información en las zonas más claras y oscuras de la señal (por lo general, 1000 en 10 bits o 4000 en 12 bits).

Es posible activar la opción **Mostrar niveles de referencia** en las representaciones gráficas y establecer el parámetro mínimo en un valor de 95.

Una vez realizados dichos cambios, ajuste nuevamente los controles **RGB** para modificar los tres canales al cambiar la temperatura de la fuente de luz, a fin de lograr el balance cromático más útil o neutral en el contenido final.

Digitalización de una o varias partes de la cinta

Después de ajustar la opción **Fuente de luz**, es recomendable mantener una cierta organización al digitalizar cada clip, ingresando todos los metadatos relevantes en el editor de metadatos a medida que sea necesario. Los campos del panel **Información de captura** permiten definir una amplia variedad de parámetros. Si se introducen los respectivos datos antes de la digitalización, estos se vincularán al clip.

En la parte inferior del panel con la información de captura, hay cuatro botones que permiten llevar a cabo la digitalización.

Una vez finalizados los pasos descritos anteriormente, es posible escanear el material original mediante uno de los siguientes modos:

Digitalizar ahora

Utilice este botón para digitalizar una parte extensa de la cinta inmediatamente. Al seleccionar esta opción, la digitalización comienza cerca del fotograma visualizado y finaliza al hacer clic en **Detener**.

Al seleccionar la opción **Activar digitalización HDR multipase**, haga clic en el botón **Digitalizar en HDR** durante el procesamiento de la cinta para indicar el final del clip que se desea escanear y proceder a la digitalización del mismo con una mayor exposición. En caso contrario, el dispositivo llevará a cabo esta segunda digitalización desde donde se comenzó a escanear hasta el final de la cinta.

Digitalizar clip

Esta opción brinda una forma más controlada para digitalizar partes específicas de una película. Luego de utilizar los controles de reproducción y los botones **Punto de entrada** y **Punto de salida** para definir una sección de la cinta, haga clic en **Capturar clip** para escanear la parte de la película definida.

Al seleccionar la opción **Activar digitalización HDR multipase**, la segunda digitalización se llevará a cabo entre los mismos puntos que la inicial.

Digitalizar rangos

Esta opción permite registrar varias secciones antes de digitalizarlas en forma simultánea, empleando los parámetros actuales para la fuente de luz según se indican en el panel correspondiente. A fin de registrar cada clip con anterioridad, utilice los botones **Punto de entrada** y **Punto de salida** para definir cada sección. A continuación, haga clic en el botón **Registrar clip** para guardar el rango de fotogramas como un clip no digitalizado en el panel multimedia. Al hacer clic en la opción **Digitalizar rangos**, se digitalizan los clips indicados, uno tras otro, hasta finalizar la tarea. También es posible seleccionar uno o más clips no digitalizados para escanearlos. Asimismo, se brinda la oportunidad de importar una lista de decisiones de edición (EDL) correspondiente a un rollo de película determinado y emplear los datos registrados para la digitalización.

NOTA: Cabe destacar que, al hacer clic en el botón **Registrar clip**, el escáner utilizará los ajustes del proyecto abierto para todos los clips del grupo. Recomendamos verificar dichos ajustes antes de comenzar la digitalización.

Al seleccionar la opción **Activar digitalización HDR multipase**, la segunda digitalización se llevará a cabo entre los mismos puntos de entrada y salida que la inicial.

Consulte el manual de DaVinci Resolve para obtener información adicional al respecto.

Capturar

Permite digitalizar un fotograma con exposición normal según los ajustes del escáner.

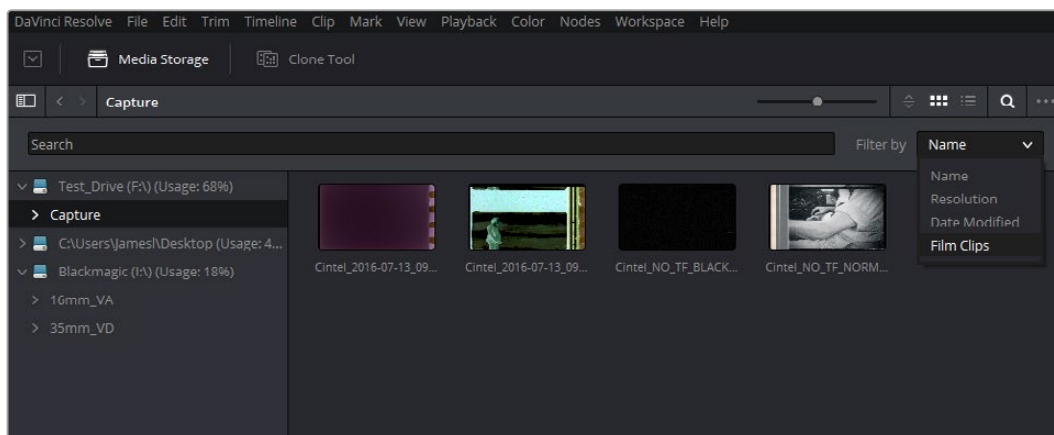
Al digitalizar, si DaVinci Resolve detecta que el ancho de banda de almacenamiento es demasiado bajo para llevar a cabo el proceso a la velocidad seleccionada, se ajustará automáticamente la velocidad del escáner a fin de asegurar que se realiza de manera correcta. En caso de emplear un lector de audio y números KeyKode, la frecuencia de muestreo del audio también se ajustará, con el objetivo de mantener la calidad del mismo.

Extracción del audio

Si la cinta escaneada contiene una pista de audio óptico, es posible extraerlo realizando un paso adicional. Para las películas de 16 mm, hay un desfase predeterminado de 26 fotogramas, mientras que para las de 35 mm, este valor es de 21 fotogramas. Por lo tanto, DaVinci realiza una alineación automática durante el proceso de extracción. Seleccione todos los clips que contengan pistas de audio óptico, haga clic con el botón derecho en una de ellas y escoja la opción **Extraer audio**. Resolve analiza el área de la pista óptica superpuesta en cada fotograma y genera automáticamente una banda sonora en sincronía con las imágenes digitalizadas.

El audio de cada clip se extrae de manera automática, se integra al archivo y se almacena en la misma carpeta. Aparecerá un ícono pequeño en la esquina de la vista en miniatura del clip, correspondiente al archivo de audio.

A efectos de facilitar la extracción, se brinda la posibilidad de filtrar los clips en el explorador multimedia según su nombre, resolución, fecha de última modificación u otros parámetros. Esto permite encontrar y seleccionar exactamente lo que es necesario de manera muy sencilla. Asimismo, es posible seleccionar varios elementos y extraer el audio de múltiples clips simultáneamente. Para ello, haga clic con el botón derecho en los clips escogidos y seleccione la opción **Extraer audio** en el menú que aparece. Durante la extracción de audio, aparece un cuadro de diálogo que muestra el progreso. El procedimiento puede detenerse en cualquier momento haciendo clic en el botón **Detener**.



Es posible filtrar los elementos del Explorador Multimedia para facilitar su organización.

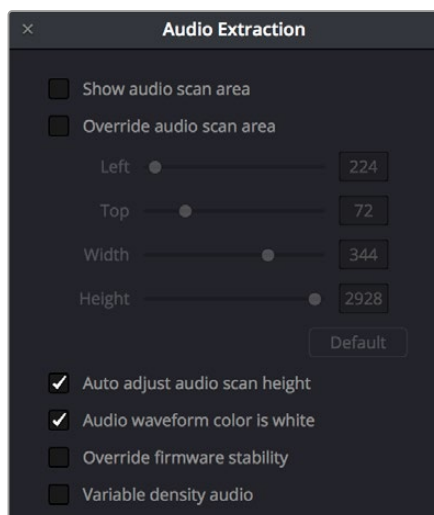
Si la casilla **Prefijo con tiempo** en la opción **Información de captura** no se encuentra marcada al escanear la película y desea integrar automáticamente el audio en los clips, recuerde extraerlo de los archivos en el panel multimedia.

Opciones para la extracción de audio

En general, una vez seleccionado el tipo de cinta, las funciones automáticas de DaVinci Resolve son capaces de extraer el audio óptico sin problemas. Sin embargo, las condiciones de la pista óptica pueden variar según el estado de la cinta colocada en el escáner, y en algunos casos esto puede ocasionar fallas en el proceso de automatización. Para evitar este tipo de problemas, es posible realizar ajustes en forma manual.



Para realizar ajustes manuales, haga clic en la opción **Mostrar ajustes de audio para Cintel**, situada en la parte superior derecha del visor, a fin de acceder a la ventana **Extracción de audio**.



Las opciones para la extracción de audio permiten realizar ajustes manuales de ser necesario.

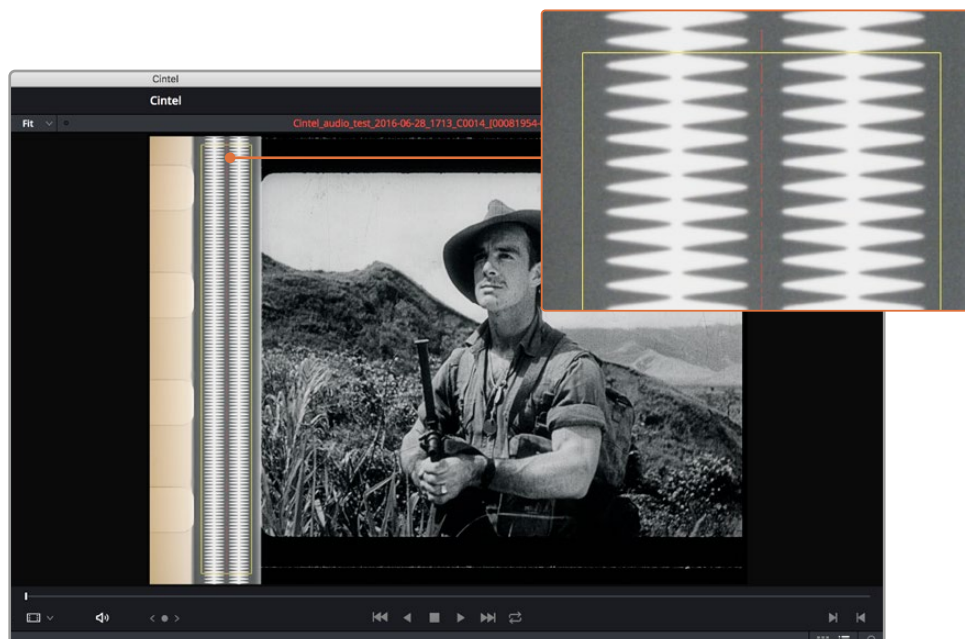
Las opciones en la ventana **Extracción de audio** permiten ajustar los siguientes parámetros:

Mostrar zona escaneada

Esta casilla permite activar o desactivar las guías para el área escaneada. Estas consisten en un rectángulo que aparece a un costado del fotograma y cubre el área del audio óptico escaneada para indicar la información que se utilizará durante el proceso de extracción. La posición de las guías depende del tipo de cinta seleccionado. Sin embargo, es posible modificarla si es preciso. Las guías constituyen asimismo una herramienta útil que brinda información sobre lo que ocurre durante la extracción, a fin de identificar posibles problemas y realizar los ajustes que resulten necesarios.

Dentro del rectángulo hay una línea roja delgada. Esta detecta la separación entre los canales estereofónicos. Si el sonido es monoaural, la línea desaparece, y las guías se ajustan automáticamente al ancho de la pista.

SUGERENCIA: Es posible acercar la imagen en el visor y desplazarla a fin de inspeccionar las guías con mayor precisión. Seleccione el valor deseado en las opciones situadas en la parte superior izquierda del visor y a continuación mueva la imagen con el ratón.



Cuando la opción **Mostrar área escaneada** se encuentra activada, las guías permiten conocer con exactitud el tipo de información utilizada y supervisar el proceso de extracción.

Anular guías

Este ajuste ofrece controles que permiten ajustar tanto la posición horizontal y vertical de las guías como el ancho y la altura de las mismas.

Se incluyen las siguientes opciones:

Izquierda y Ancho

Si el audio aparece a la derecha del fotograma, basta con deslizar el control **Izquierda** para mover el rectángulo hacia la derecha. En general, esto ocurre en forma automática al seleccionar el tipo de cinta correspondiente. De cualquier modo, esta opción brinda mayor flexibilidad en caso de que sea necesario realizar ajustes. De manera similar, la opción **Ancho** permite ajustar el ancho del área escaneada.

Estas herramientas resultan útiles para ajustar levemente los laterales del rectángulo si existen elementos no deseados en el área correspondiente al audio óptico de la película. Esto puede ocurrir como resultado del deterioro de las perforaciones o variaciones en la calidad de la cinta y en ocasiones es posible que afecte la calidad del proceso de extracción. Al mover ligeramente los laterales del rectángulo, dichos elementos quedarán fuera del área escaneada.

Superior

Esta opción permite ajustar la posición vertical del rectángulo.

Altura

En ocasiones, el tamaño de los fotogramas en cintas de mayor antigüedad puede ser levemente menor a lo normal debido al encogimiento del material que se produce con el correr del tiempo. Este control brinda la posibilidad de realizar ajustes para compensar dicha disminución.

Ajustar altura automáticamente

Esta casilla se encuentra marcada por defecto y permite modificar la altura del rectángulo para que coincida con la onda en la parte superior de cada fotograma. El ajuste automático funciona correctamente en condiciones normales. Sin embargo, si el rectángulo se mueve aleatoriamente y la calidad se ve afectada durante el proceso de extracción, es posible que existan elementos de la pista de audio superpuestos entre un fotograma y otro. De ser así, desactive esta opción e intente llevar a cabo la extracción nuevamente.

Si la casilla **Ajustar altura automáticamente** no se encuentra marcada, compruebe que el rectángulo se encuentre en una posición adecuada con respecto al fotograma. Realizar ajustes manuales puede resultar útil, pero no olvide activar las funciones automáticas nuevamente al finalizar.

Color de la onda del audio

Según el tipo de cinta digitalizado, la onda correspondiente al audio puede ser blanca o negra. Si es blanca, compruebe que la casilla correspondiente se encuentre marcada. Esto permitirá asegurar que se utilice la información contenida en el área blanca durante el proceso de extracción. Si la onda es negra y el área circundante blanca, desactive la casilla a fin de que DaVinci emplee la información contenida en la zona negra. Esta opción debe configurarse en forma adecuada para que otras prestaciones automáticas funcionen correctamente.

Anular estabilización

En raras ocasiones, el estado de la cinta podría ocasionar movimientos significativos en el fotograma debido a la función de estabilización interna. Esto provocaría que la guía quede desalineada con respecto a la pista óptica. En este caso, al marcar la casilla **Anular estabilización**, la guía puede detectar las perforaciones de la cinta en forma independiente y ajustar su posición a fin de obtener mejores resultados.

Densidad de audio variable

Si la cinta contiene audio de densidad variable, seleccione esta casilla a fin de que DaVinci Resolve realice el proceso de extracción adecuado. Por defecto, esta opción se encuentra desactivada.

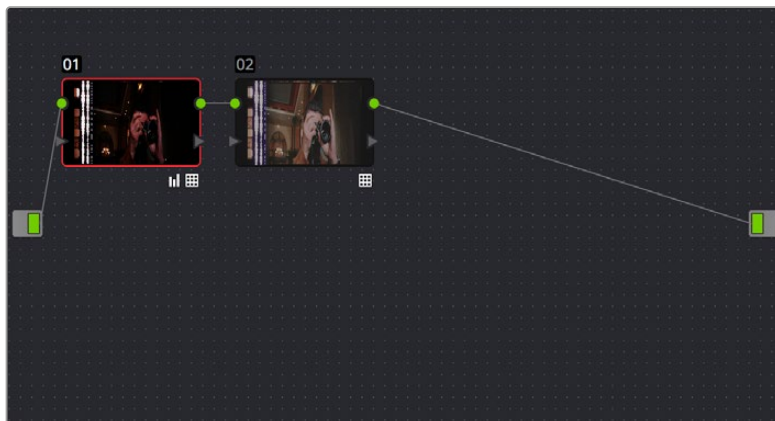
El audio de densidad variable puede identificarse como una secuencia de líneas contiguas similar a un código de barras. A modo de comparación, las pistas de audio con área variable aparecen como una onda.

Espacio cromático y ajuste del tamaño

DaVinci Resolve incluye un par de tablas de conversión (LUT) unidimensionales, denominadas «Negativo Cintel a lineal» y «Positivo Cintel a lineal», a fin de facilitar la conversión de los archivos digitalizados a un espacio cromático que puede utilizarse en otras tareas del proyecto. Es posible aplicar estas tablas desde un nodo en el módulo **Color** para convertir los clips escaneados originales a un espacio cromático lineal. Sin embargo, si deseamos convertir la imagen a Rec. 709 o Cineon, es recomendable aplicar una segunda tabla en otro nodo. El espacio cromático predeterminado para copias está representado por una curva logarítmica común 2.2, mientras que para los restantes se emplea una curva de densidad cinematográfica 2.046.

En general, en el caso de negativos, es mejor «invertir los colores» luego de aplicar una segunda tabla. Además, se requieren ciertas correcciones cromáticas en los datos lineales, a fin de eliminar el desfase en el negro generado por el valor D-min, y así poder realizar la conversión al espacio cromático adecuado. En el menú **LUT 3D** de cada nodo existen diversas tablas de entrada y salida para efectos especiales que permiten convertir una imagen de un espacio cromático lineal a la opción que mejor se adapte a su proyecto.

Para obtener información adicional al respecto, consulte el apartado relativo al uso de tablas de conversión en un nodo en el manual de DaVinci Resolve.



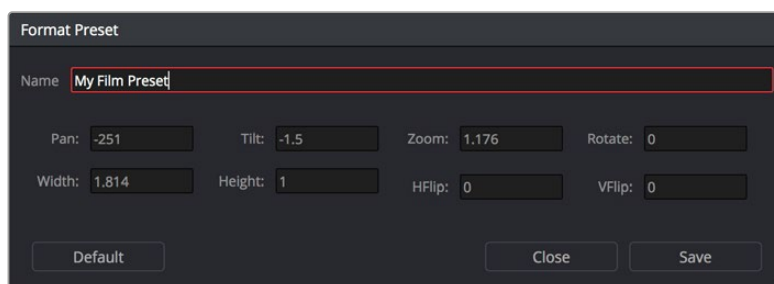
Uso de tres nodos para procesar material escaneado mediante tablas de conversión. El nodo 1 realiza la conversión de negativo o copia positiva a lineal, mientras que el nodo 2 permite obtener una imagen en formato Rec. 709, y el nodo 3 invierte el color, de ser necesario.

Al aplicar una tabla de conversión a un nodo, se pierden los datos de la imagen no comprendidos entre 0 y 1. Para prevenir esto, es posible utilizar los controles **Lift**, **Gamma** y **Gain** en cualquier nodo donde se haya aplicado una tabla de conversión, a fin de modificar los valores antes de continuar.

Tanto el modo de digitalización de la cinta como su material original afectarán el encuadre.

Es posible ajustar el encuadre final del clip escaneado mediante diversas opciones. La opción **Ajuste de entrada**, situada en el panel **Ajuste de tamaño** del módulo **Color**, permite realizar el encuadre necesario y guardar una configuración predeterminada haciendo clic en el botón **Crear** y escribiendo un nombre en el cuadro de diálogo correspondiente.

Una vez creada dicha configuración, puede aplicarse a varios contenidos digitalizados simultáneamente, ya sea en el módulo **Color** o en el **Panel multimedia**, mediante la opción **Cambiar ajuste de entrada** del menú contextual correspondiente a los clips seleccionados. Consulte el manual de DaVinci Resolve para obtener más información al respecto.

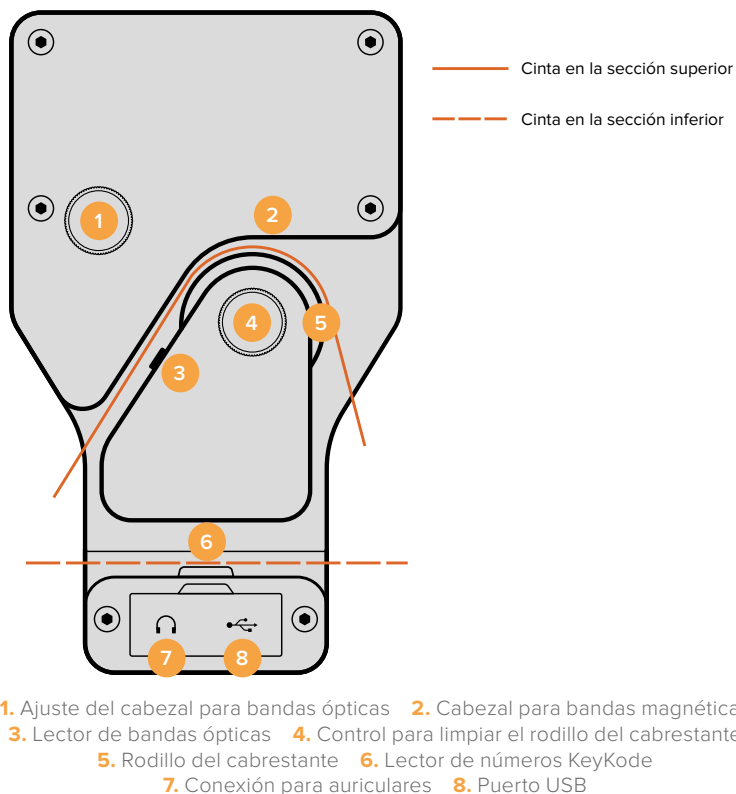


Creación de un ajuste predeterminado en el panel **Ajuste de tamaño** del módulo **Color**

Lector de audio y números KeyKode

Este accesorio permite ampliar las prestaciones del escáner para leer bandas sonoras ópticas y magnéticas en cintas de 35 y 16 mm a distintas velocidades. Asimismo, brinda la posibilidad de leer el código identificatorio de la película, a fin de obtener información sobre la posición del fotograma y el tipo de cinta utilizado.

El lector incluye los siguientes componentes:



Al colocar la cinta en la sección superior del lector, es posible escanear las bandas ópticas y magnéticas incluidas en la película.

Al colocar la cinta a través de la parte inferior del lector, es posible obtener la información del código identificatorio de la película. Este se encuentra cerca de las perforaciones en algunos negativos e incluye diversos datos, tales como la posición de los fotogramas en la bobina y el tipo de cinta utilizado. La información obtenida se guarda en forma de metadatos para cada fotograma.

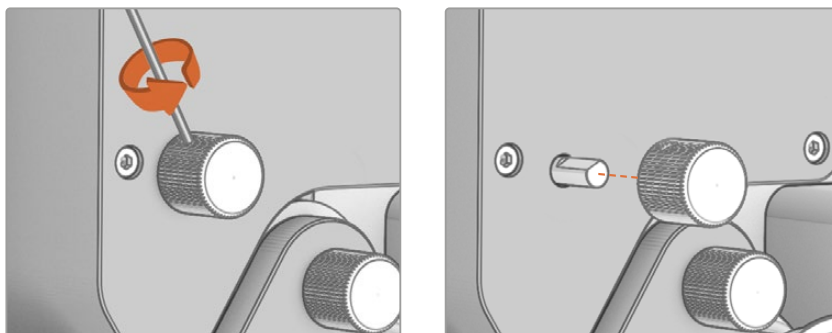
SUGERENCIA: El escáner es capaz de leer la información contenida en una banda de sonido óptica incluso sin instalar el lector. Basta con utilizar la opción **Extraer audio** en DaVinci Resolve luego de digitalizar la película. Consulte el apartado *Extracción del audio* en este manual para obtener más información al respecto.

Instalación del lector

El lector funciona mediante la interfaz de opciones izquierda, que consiste en un conector XLR de seis pines situado debajo de la bobina alimentadora.

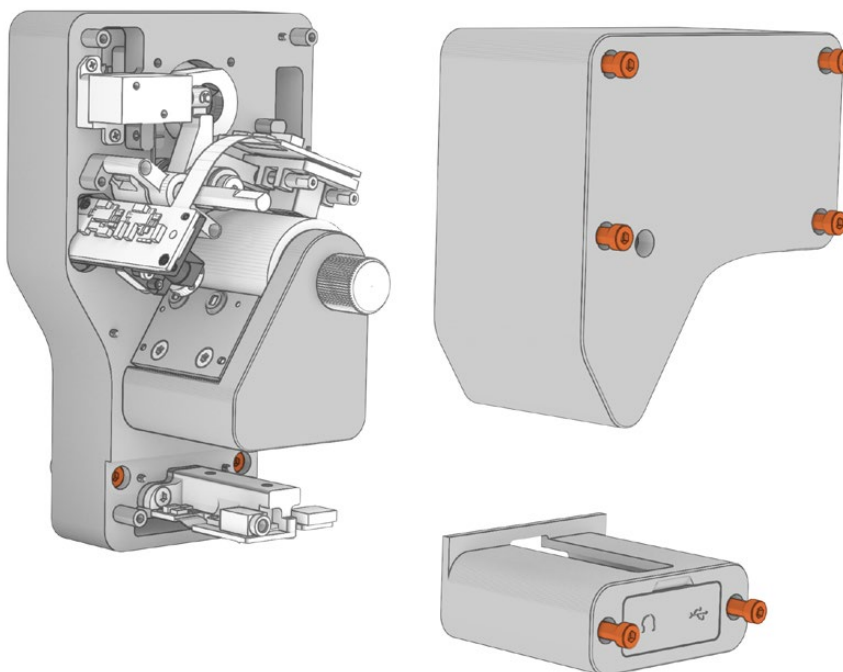
Para instalar el lector en el escáner:

- 1 Compruebe que el escáner no esté conectado a una fuente de suministro eléctrico.
- 2 En el control giratorio superior del lector encontrará un pequeño tornillo de retención. Utilice una llave Allen de 1.5 mm para aflojarlo y quitar el mando. Esto permite retirar la cubierta superior del lector.



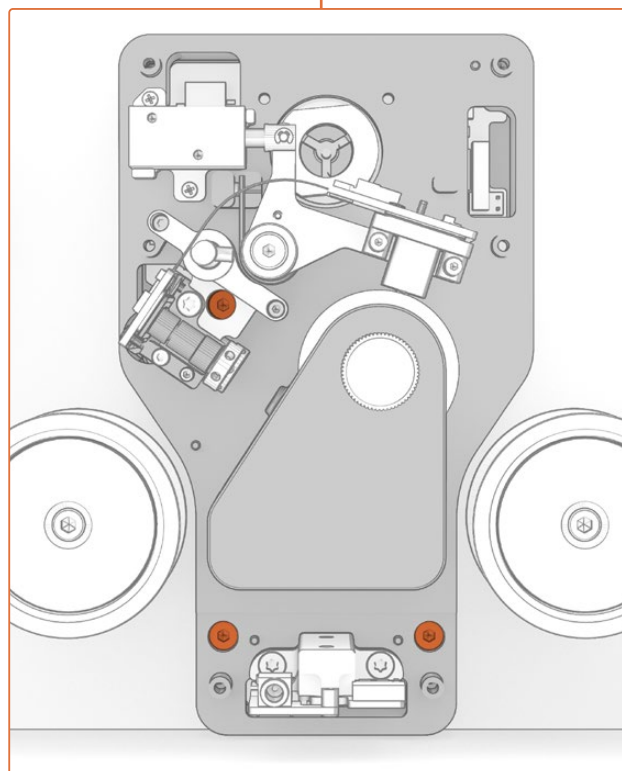
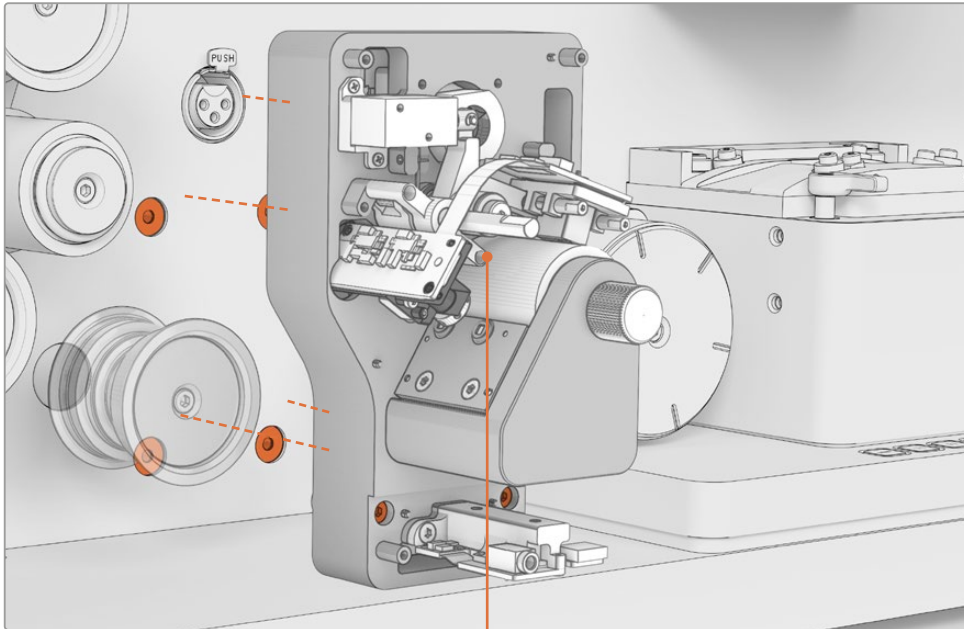
Utilice una llave Allen de 1.5 mm para aflojar el tornillo situado en el control giratorio y quitarlo.

- 3 Quite la cubierta superior e inferior del lector aflojando los seis tornillos M3 con una llave Allen. Dichos tornillos son cautivos, de modo que permanecerán sujetos al dispositivo. Al retirar las cubiertas, es posible acceder a ellos, puesto que son necesarios para instalar el lector en el escáner.



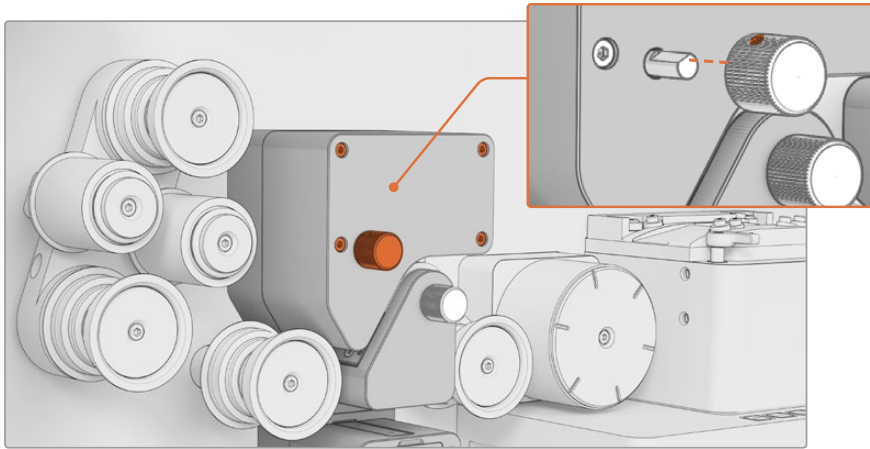
Quite las cubiertas superior e inferior del lector aflojando los seis tornillos M3. Dado que estos tornillos son cautivos, no es necesario aflojarlos demasiado.

- 4 Retire los cuatro tacos para tornillos M4 del escáner mediante una llave Allen de 2 mm. Los tornillos correctos son el superior izquierdo y los dos inferiores situados debajo del conector XLR.
- 5 Inserte el conector XLR del lector en la conexión correspondiente del escáner.
- 6 Sujete el lector al escáner mediante los tres tornillos M3 y compruebe que quede bien apoyado antes de apretarlos.



Inserte el conector XLR del lector en la conexión correspondiente del escáner y sujételo apretando los tres tornillos M3 cautivos.

- 7 Coloque nuevamente las cubiertas del lector y apriete los tornillos correspondientes. Haga lo mismo con el control giratorio superior y apriete ligeramente el tornillo de retención sobre el lado plano del eje.



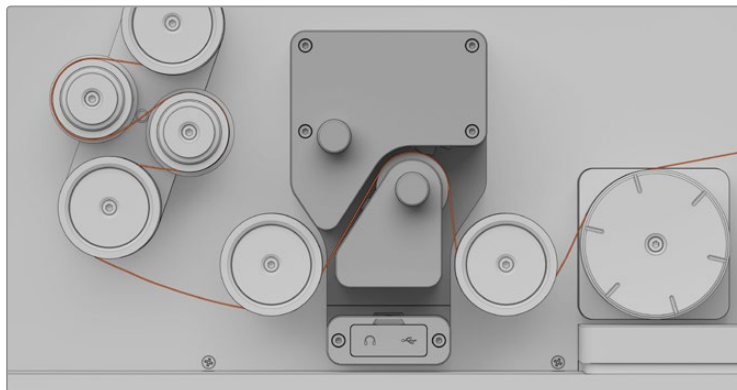
Coloque las cubiertas del lector y apriete los seis tornillos M3 cautivos. A continuación, inserte el control giratorio en el eje correspondiente y ajuste el tornillo de retención.

Lectura del audio

Con el lector instalado, el escáner brinda la posibilidad de obtener la información incluida en las bandas ópticas de las cintas de 35 y 16 mm, o en las bandas magnéticas en el caso de las películas de 16 mm.

Colocación de la cinta

Para escanear la banda sonora de la cinta, primero es necesario pasarla a través de los rodillos del lector. La siguiente ilustración muestra la forma correcta de colocar la cinta.



Pase la cinta a través de la sección superior del lector para escanear la banda sonora de la película.

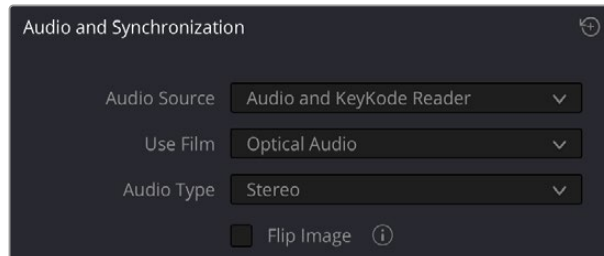
NOTA: Al escanear bandas de sonido ópticas, preste especial atención a la posición de los ledes para cintas de 16 mm y 35 mm. El primero se encuentra más cerca del armazón del dispositivo, mientras que el segundo está más alejado.

SUGERENCIA: Al pasar la cinta a través de los rodillos en la parte superior del lector, DaVinci Resolve graba el audio automáticamente y lo añade a los clips. De lo contrario, el sonido no se registra.

Configuración del lector para digitalizar el audio

Una vez colocada la cinta, configure los ajustes para el tamaño de la bobina y el tipo de audio en el panel **Escáner** de DaVinci Resolve. Las opciones disponibles dependerán del ajuste seleccionado en el menú **Fuente de audio**.

Estos ajustes permiten determinar el modo de funcionamiento del lector para obtener los datos identificatorios de la película o escanear la banda óptica o magnética.



La ventana del lector de audio y números KeyKode en el panel **Escáner** de DaVinci Resolve permite cambiar el modo de funcionamiento del dispositivo.

SUGERENCIA: Las opciones disponibles varían según el tipo de cinta colocada en el dispositivo. Por ejemplo, **Banda magnética** solo aparece al seleccionar **16 mm** como película en DaVinci Resolve.

Fuente de audio

Seleccione la fuente de audio correspondiente a las imágenes que se van a digitalizar.

Ninguna

Sin pista de audio. Las opciones **Usar cinta** y **Audio** no estarán disponibles.

Lector de audio y números KeyKode

Este accesorio permite extraer el audio óptico y magnético de la cinta.

Audio externo

Esta opción permite digitalizar audio analógico o AES/EBU digital mediante las conexiones XLR.

Usar cinta

Estos ajustes permiten determinar el modo de funcionamiento del lector. Consulte el apartado correspondiente para obtener más información al respecto.

A continuación, se explican los ajustes para el lector:

Audio óptico

Esta opción permite escanear el audio de una banda sonora óptica.

Es posible determinar el tipo de banda examinando la cinta. Si esta incluye una onda de audio continua o una serie de líneas paralelas en uno de los lados, la pista de audio es óptica.

Banda óptica estrecha

Debido a la contracción de la cinta y a otras variables inherentes a la misma, puede ocurrir que la banda óptica sea más pequeña que el área procesada por el lector. Esto puede ocasionar que se digitalicen perforaciones o datos de la imagen cercanos a la banda de sonido, lo cual provocará interferencias en el audio. En este caso, es posible mejorar el sonido girando el control de ajuste del cabezal. Sin embargo, si el problema persiste, recomendamos seleccionar la opción **Banda óptica estrecha** en el menú **Usar cinta**. Esto brinda la posibilidad de reducir el área escaneada aproximadamente un 20 % para excluir las partes de la cinta cercanas a la banda óptica y mejorar la calidad del audio.

Para obtener más información sobre la función de ajuste del cabezal, consulte el apartado correspondiente más adelante en este manual.

Banda magnética

Esta opción permite escanear la banda sonora magnética en cintas de 16 mm.

La banda puede identificarse por medio de una línea negra cercana a los fotogramas, cuyo color es cobrizo en el lado de la película que contiene la emulsión.

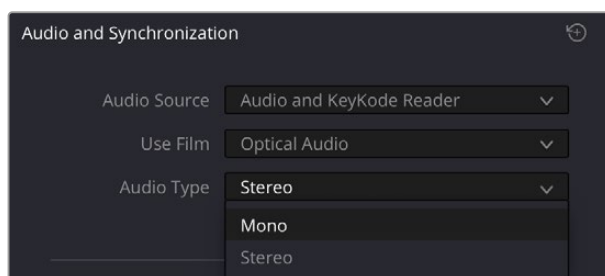
NOTA: Al escanear bandas magnéticas, recomendamos seleccionar una velocidad de 24 f/s a fin de lograr una compensación adecuada. Si el procedimiento se realiza a una velocidad diferente, es posible que sea necesario ajustar la altura durante la posproducción.

Tipo de audio

Una vez seleccionada la banda de sonido, escoja el tipo de audio en el menú correspondiente.

Mono o estéreo

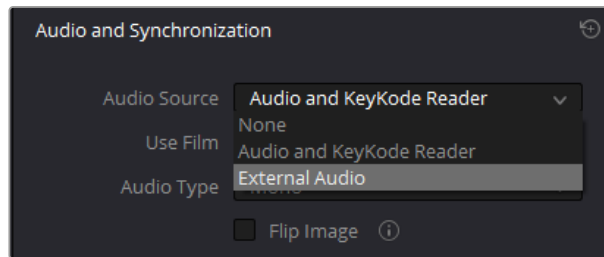
Es fácil determinar si el sonido óptico es monoaural o estereofónico examinando la cinta. Si es posible ver dos ondas paralelas, la banda sonora es estereofónica. De lo contrario, si solo se aprecia una onda o una serie de líneas paralelas de densidad variable, la pista de audio es monoaural. Cabe destacar que el sonido contenido en una banda magnética es siempre monoaural.



Seleccione una de las opciones según el tipo de audio de la película.

Audio externo

Haga clic en el menú desplegable de la opción **Fuente de audio** y seleccione **Audio externo**.



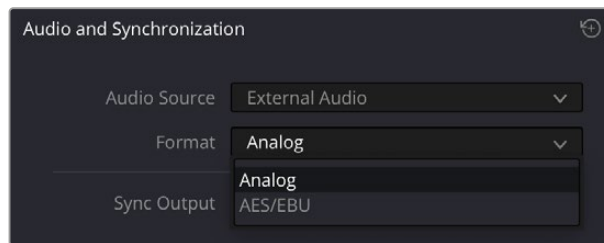
Al seleccionar la opción **Audio externo**, las entradas XLR en el lateral del escáner admitirán señales analógicas y AES/EBU digitales. Seleccione la opción apropiada en el menú **Formato**.

Analógico

Seleccione esta opción si el audio es analógico balanceado.

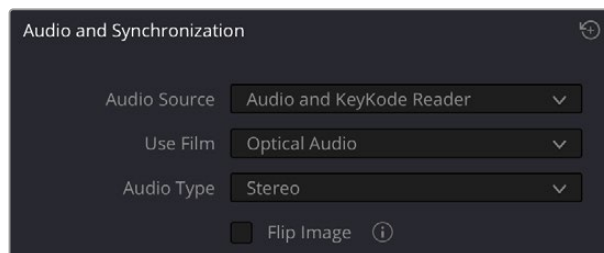
AES/EBU

Seleccione esta opción si el audio es AES/EBU, también conocido como AES3.



Invertir imagen

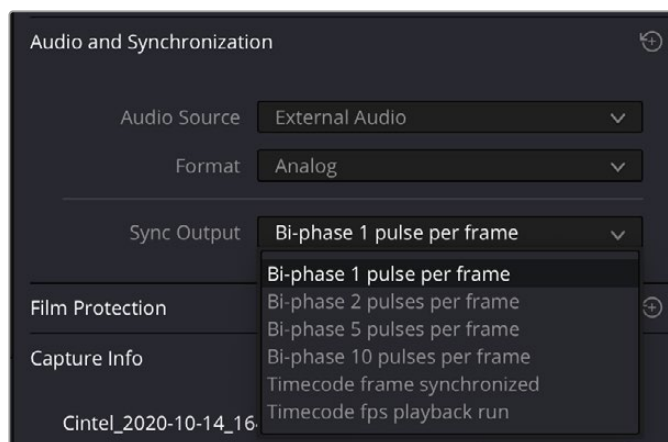
Marque esta casilla al escanear negativos si la imagen está invertida.



Marque la opción **Invertir imagen** para cambiar la orientación del fotograma.

Salida para señales de referencia

Este menú permite elegir el modo de sincronización, en caso necesario, si el escáner está conectado a un equipo externo mediante el puerto XLR.



Opciones para señales bifásicas y salida del código de tiempo en el menú **Sincronizar salida**

Las opciones de señal bifásica transmiten dos señales individuales en cuadratura en el par diferencial XLR3, de modo que la dirección y la frecuencia puedan determinarse a partir del modo seleccionado. La opción **CT sincronizado con fotograma** transmite un valor del código de tiempo por cada fotograma reproducido, mientras que al seleccionar **CT sincronizado con frecuencia de cinta** se transmite el código de tiempo a una frecuencia fija según la frecuencia de imagen del proyecto. El voltaje de salida alterna automáticamente entre 4.5 V para las señales bifásicas y 1.5 V para el código de tiempo.

NOTA: Es posible transmitir el código de tiempo a velocidades de 24, 25 y 30 f/s, tanto para el independiente como para sincronizado con el fotograma. Otras frecuencias de imagen no están disponibles.

Velocidad de digitalización

Al configurar el lector para escanear bandas sonoras, la velocidad máxima del escáner está limitada a un 125 % de la frecuencia de imagen de la película. Por ejemplo, al escanear una cinta cuya velocidad de reproducción es de 24 f/s, la velocidad máxima del escáner será de 30 f/s. Esto permite lograr una frecuencia de muestreo de 48 kHz.

Ajuste del cabezal

Dado que la posición de la banda de sonido puede variar ligeramente de una cinta a otra, es importante verificar que el lector digitalice el área correcta de la película. A tales efectos, la función de ajuste del cabezal permite optimizar su posición al digitalizar pistas ópticas con el objetivo de garantizar la calidad del material obtenido.

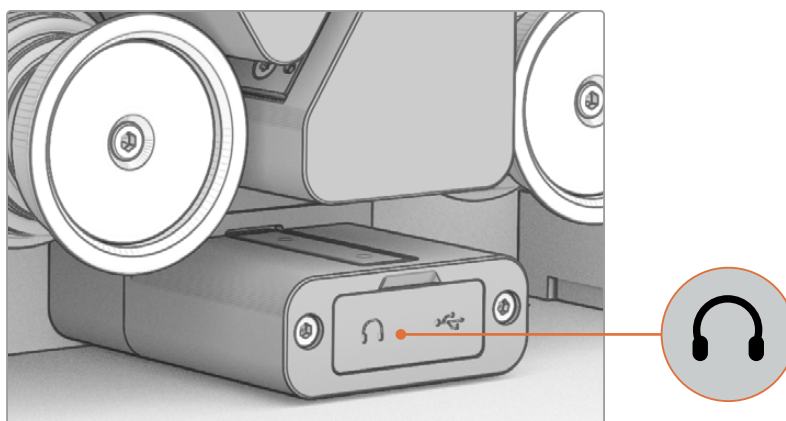
Para utilizar la función de ajuste del cabezal:

- 1 Conecte un par de auriculares o un analizador de audio a la conexión de 3.5 mm del lector. Para ello, retire la cubierta de goma que cubre la conexión.
- 2 Utilice los controles de reproducción del escáner para avanzar la cinta hasta una parte que contenga sonido.

- 3 Reproduzca la película y gire el control de ajuste hacia la izquierda o la derecha mientras escucha el audio. Dicho mando se encuentra en la parte superior del lector. Al mover el control, el cabezal de lectura se acercará o se alejará del borde de la cinta, a fin de poder determinar con precisión su posición sobre la banda óptica. A medida que se ajuste el cabezal, notará que la intensidad y claridad del audio cambian. Cabe señalar que, al emplear un analizador de audio, es posible llevar a cabo ajustes con mayor exactitud.

Para las pistas en estéreo, basta con realizar ajustes hasta encontrar una posición ideal en la que no haya distorsiones y ambos canales se escuchen con igual claridad e intensidad.

Si el sonido es monoaural, es posible lograr mejores resultados al realizar el ajuste del cabezal seleccionando la opción **Estéreo** para el tipo de audio. Esto permite emplear ambos canales para centrar la pista, garantizando de este modo la calidad de la digitalización. No olvide cambiar nuevamente el tipo de audio al finalizar el procedimiento.

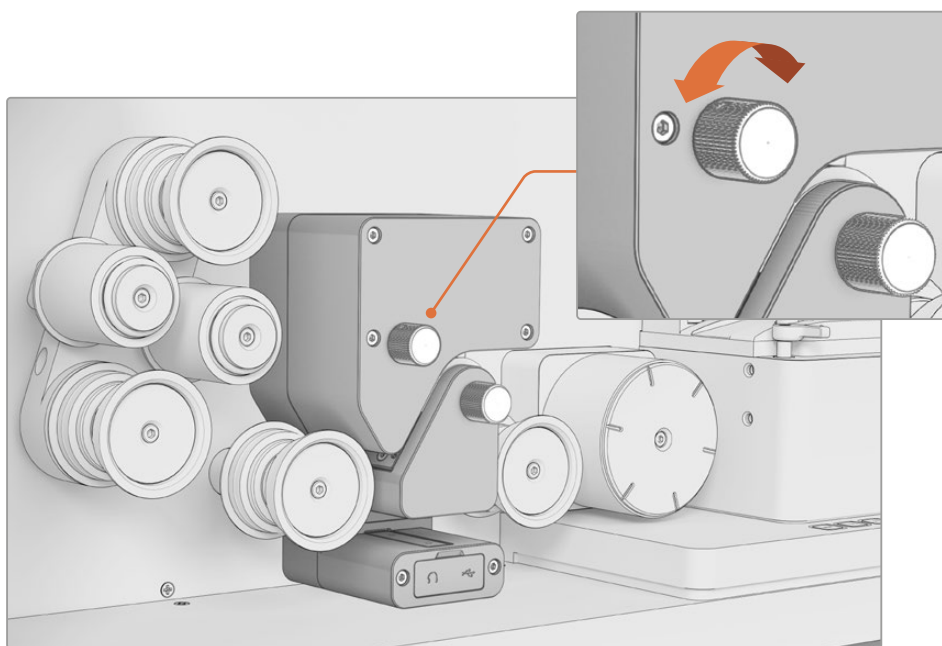


La conexión para auriculares se encuentra detrás de la cubierta de goma situada en la parte inferior del lector.

Verificación del audio y las imágenes

La banda de sonido de una película va adelantada con respecto a las imágenes. Por lo tanto, el escáner retrasa el audio automáticamente a fin de garantizar la sincronización con las imágenes transmitidas mediante la salida HDMI.

Cabe destacar que el audio que se escucha a través de los auriculares proviene directamente de la banda sonora. De este modo, al optimizar la posición del cabezal, es posible oír la diferencia sin demora alguna.



El control giratorio del cabezal permite ajustar su posición y mejorar la calidad del audio digitalizado.

Al escanear bandas de sonido ópticas, el escáner disminuirá la intensidad del led si el rodillo del lector no está en funcionamiento. El lector permanece inactivo cuando el escáner entra en modo de espera.

Ajuste para pistas magnéticas

El cabezal magnético del lector está preconfigurado y no es preciso ajustarlo. Debido a la naturaleza de las bandas de sonido magnéticas, una leve superposición no debería causar distorsión alguna, ya que las áreas adjuntas no contienen información. Asimismo, no existe un alto grado de variación en la ubicación de las bandas durante la impresión de la película, y el tamaño del cabezal del lector permite compensar cualquier desfase.

Ajustes avanzados

Además de las opciones mencionadas anteriormente, el lector permite realizar los siguientes ajustes:

- Acimut y ajuste de la posición para bandas magnéticas
- Acimut para bandas ópticas
- Enfoque para bandas ópticas

Sin embargo, para la mayoría de los usuarios no será necesario modificar estos parámetros. Para obtener información adicional al respecto, visite nuestra página de soporte técnico.

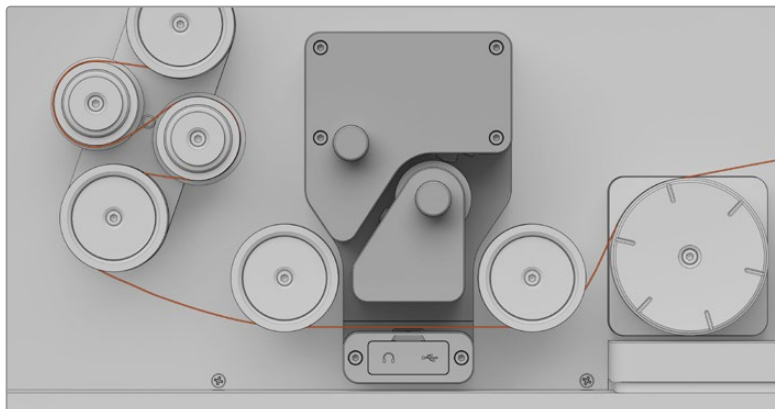
Inicio de la digitalización

Luego de seleccionar el tipo de audio y ajustar el cabezal, comience la digitalización de la forma descrita anteriormente en este manual.

Nótese que DaVinci Resolve solo iniciará el proceso de digitalización una vez finalizada la sincronización del sonido y las imágenes provenientes del escáner. Dado que la banda sonora está adelantada con respecto al fotograma correspondiente, hay una breve pausa de aproximadamente un segundo entre que el dispositivo alcanza la velocidad de funcionamiento y la aparición de la imagen en la pantalla.

Lectura de números KeyKode

Para escanear los números KeyKode, la cinta se colocará normalmente como si el lector no estuviera instalado en el dispositivo. Esta pasará a través del cabezal de lectura al desplazarse sobre la ventanilla. A continuación se muestra la forma correcta de colocar la cinta.

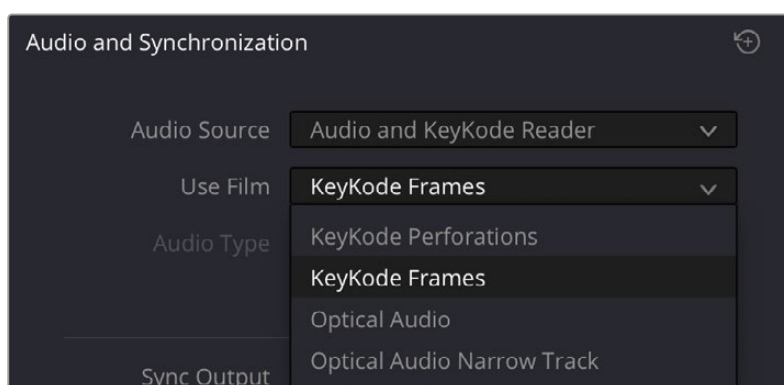


Pase la cinta a través de la sección inferior del lector para escanear los números KeyKode.

NOTA: Al escanear los números KeyKode, verifique que la sección de la cinta que contiene el código identificatorio se desplace sobre el led.

Configuración del lector para escanear los números KeyKode

Una vez que la cinta está colocada y tensionada, es preciso comprobar que el lector esté configurado para escanear el código identificatorio de la película. En las opciones de configuración para el dispositivo, vaya al menú **Usar cinta** y seleccione **Perforaciones KeyKode** o **Fotogramas KeyKode**. Al exportar un archivo DPX, la información del código KeyKode estará representada de acuerdo con la opción seleccionada.



Seleccione la opción **Perforaciones KeyKode** o **Fotogramas KeyKode** del menú despegable para escanear el código identificatorio del negativo.

Usar cinta

Estos ajustes permiten determinar el modo de funcionamiento del lector. Consulte el apartado *Configuración del lector para digitalizar el audio* a fin de obtener más información al respecto.

A continuación, se explican los ajustes para el lector:

Perforaciones KeyCode

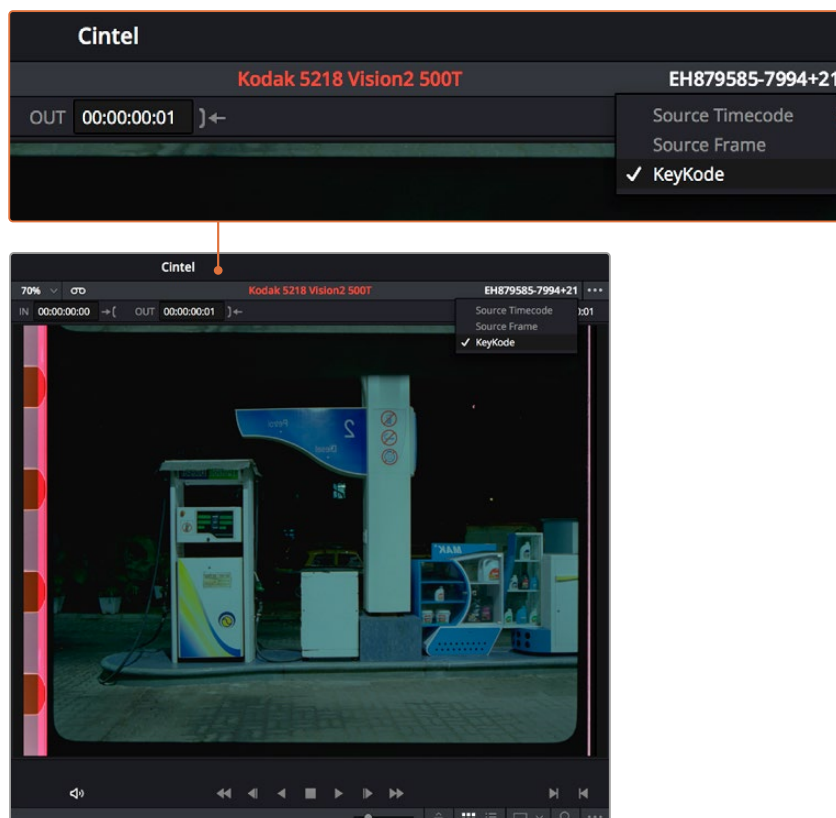
Esta opción digitaliza la cinta según sus perforaciones.

Fotogramas KeyCode

Esta opción digitaliza la cinta de manera precisa según los fotogramas.

El escáner leerá la información que contiene la cinta y la almacenará como metadatos en cada clip. Asimismo, estos datos pueden visualizarse en la parte de arriba del visor, en el panel **Escáner** de DaVinci Resolve.

Para visualizar la información, haga clic en el ícono de opciones situado en la esquina superior derecha y seleccione **KeyCode** en el menú.



Haga clic en el ícono de opciones situado en la esquina superior derecha del visor para ver los datos identificatorios de la cinta.

En general, los números KeyCode se escanean para incluir dicha información en los intermedios digitales en formato DPX, como se explica en el apartado siguiente. No obstante, estos metadatos también pueden emplearse en los módulos Edición y Color de DaVinci Resolve.

Transcodificación de archivos DPX con metadatos KeyCode

Es posible configurar DaVinci Resolve para digitalizar el material en archivos DPX conservando los metadatos identificatorios de la película.

Para digitalizar contenidos en archivos DPX:

- 1 Haga clic en el menú **Archivo** en la barra superior y seleccione la opción **Organización de contenido multimedia**.

- 2 En la ventana emergente, haga clic en el ícono correspondiente a los clips para transcodificarlos de forma individual y luego seleccione la opción **Transcodificar**.
- 3 Seleccione la ubicación donde desea guardar los archivos y haga clic en **OK**.
- 4 Active la opción **Transcodificar todo** para procesar todo el contenido de la línea de tiempo.
- 5 En los ajustes de video, seleccione la opción **DPX** para el formato y elija un códec.
- 6 La resolución se ajustará automáticamente según la utilizada para la línea de tiempo. No obstante, es posible cambiar este parámetro. Al activar la casilla **Renderizar a la resolución original**, la resolución coincidirá con la del material original.
- 7 En los ajustes de audio, seleccione la cantidad de canales que desea incluir en los archivos DPX o la opción **Igual que el original** para que este parámetro coincida con el del clip original. Asimismo, determine la profundidad de bits.

Los íconos situados en la parte inferior de la ventana indican el tamaño actual del contenido y el que tendrá el archivo DPX una vez que el material haya sido transcodificado.
- 8 Haga clic en **Iniciar**.

Todos los clips en la línea de tiempo se convierten en archivos DPX que incluyen los datos identificatorios de la cinta. Consulte el manual de DaVinci Resolve para obtener más información al respecto.

Los archivos Cintel RAW pueden renderizarse en formato DPX, incluso con los datos identificatorios correspondientes. Para ello, basta exportarlos en dicho formato desde el módulo Entrega de DaVinci Resolve. Asegúrese de seleccionar la opción **Clips individuales** en los ajustes de renderización para exportar cada archivo por separado.

Mantenimiento

A fin de garantizar una calidad de digitalización óptima, es importante mantener el escáner limpio y sin polvo. Para ello, basta con limpiar con asiduidad los rodillos para la transferencia de partículas y las restantes superficies de contacto del equipo mediante un soplador.

Limpieza de los rodillos

Los rodillos deben limpiarse cada vez que se digitaliza una cinta. Para ello, quite la junta tórica situada en el extremo del eje y tire del rodillo. Aplíqueles una solución de agua tibia con detergente líquido y déjelos secar. No es recomendable utilizar toallas ni secadores, ya que esto podría provocar que se depositen nuevas partículas en los rodillos o que se deformen por causa del calor. Una vez que los rodillos estén secos, instálelos nuevamente en el escáner. No olvide colocar la junta tórica.

Si resulta difícil retirar o colocar los rodillos, aplique una ligera capa de grasa de silicona a la parte interior de las juntas. Esto las mantendrá lubricadas y facilitará la extracción de los rodillos para limpiarlos.



Para limpiar un rodillo, quite la junta tórica situada en el extremo del eje y tire del mismo.

Si nota que los rodillos han perdido adherencia, incluso luego de lavarlos, o que resulta difícil quitarlos y colocarlos debido a un desgaste normal por el uso prolongado de los mismos, puede adquirir repuestos a través de nuestro sitio web.

Limpieza de los cabrestantes

Limpie los cabrestantes siempre que sea necesario, idealmente antes de digitalizar un nuevo rollo de cinta. Antes de comenzar con el proceso, los cabrestantes deben secarse al aire.

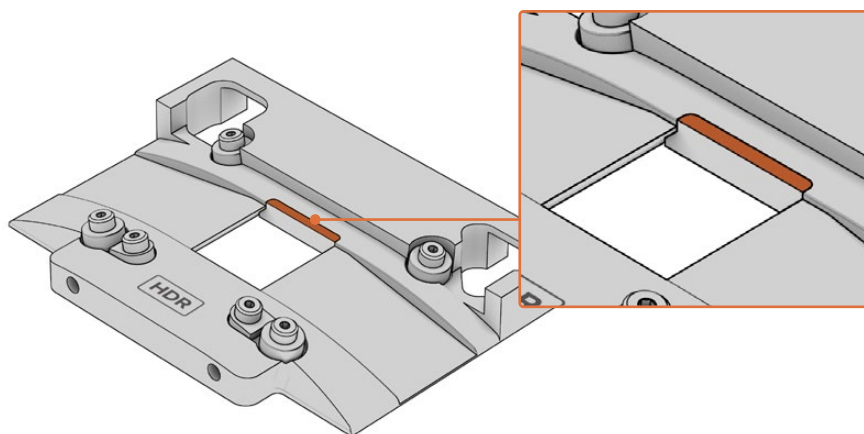
NOTA: La limpieza de los cabrestantes debe realizarse con cuidado a fin de prevenir que las partes electrónicas cercanas a los mismos se dañen con líquidos. Aplique solamente un poco de agua a un paño con tratamiento antipelusa. No use disolventes o aerosoles.

Limpeza del polvo

Es preciso quitar el polvo del escáner a diario. Para ello, basta con emplear un soplador a fin de eliminar las partículas que se depositan en la ventanilla, los cabrestantes y cualquier otra superficie de contacto del equipo. Al realizar este procedimiento, es recomendable extraer la ventanilla.

Al limpiar el dispositivo, preste especial atención a la pequeña porción plástica de la ventanilla. La acumulación de polvo en esta zona puede afectar la función de estabilización, por lo cual recomendamos pasarle un paño húmedo de vez en cuando.

En el caso de la ventanilla opcional para cintas de 8 mm, utilice un soplador o un paño que no suelte pelusas para limpiar los rodamientos y las cortinillas. Asimismo, es necesario quitar el polvo de los huecos de vez en cuando a fin de evitar su acumulación.



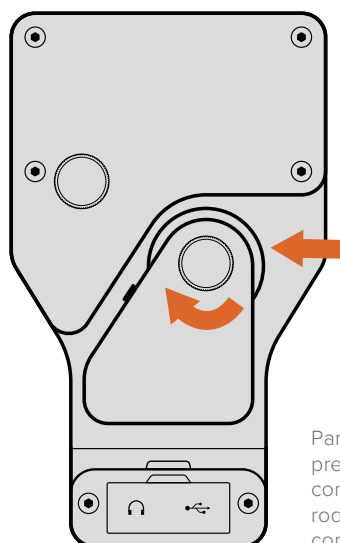
Preste especial atención a la pieza plástica de la ventanilla al limpiar el dispositivo.

En ocasiones, es necesario limpiar la lente situada sobre la fuente de luz del escáner. Para ello, utilice un paño limpio y una pequeña cantidad de alcohol isopropílico.

Es posible adquirir sopladores y alcohol isopropílico en cualquier tienda de productos electrónicos.

Limpeza del lector

El lector contiene un rodillo de goma que se utiliza al colocar la cinta a través de la parte superior del mismo. Este debe limpiarse periódicamente con un paño húmedo. Para ello, simplemente quite la cinta, presione el paño contra el rodillo y gire el mando de limpieza para eliminar el polvo acumulado.

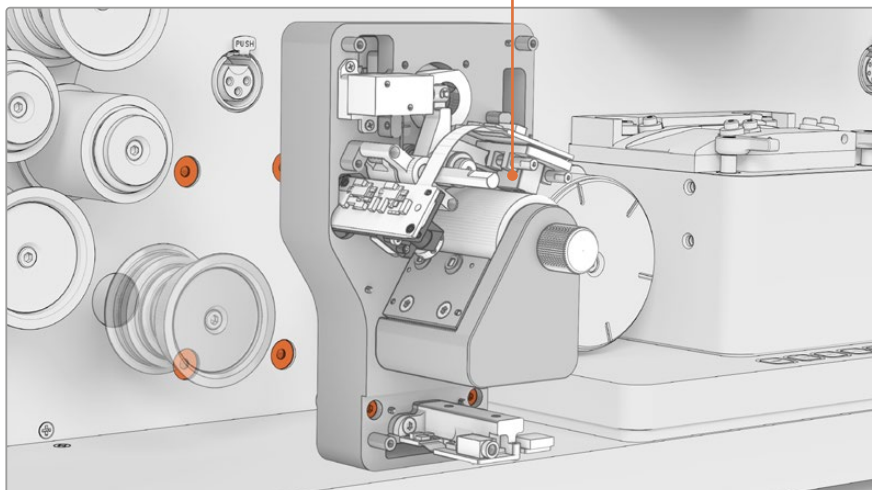
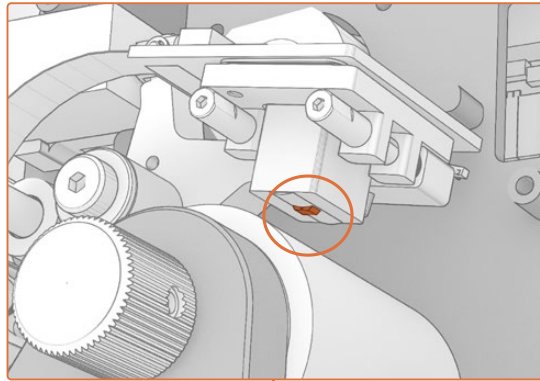


Para limpiar el lector, presione un paño húmedo contra la superficie del rodillo y gire el mando correspondiente.

Recomendamos utilizar únicamente agua para limpiar los rodillos y cabezales del lector, puesto que otros productos tales como alcohol o xileno podrían dañar sus componentes.

Limpeza del cabezal magnético del lector

En ocasiones, es preciso limpiar los cabezales del lector. Para ello, quite la cubierta superior aflojando los cuatro tornillos M3 con una llave Allen de 2.5 mm.



Retírela para acceder a los cabezales.

Humedezca un hisopo en agua, escúrralo y páselo con cuidado sobre la superficie del cabezal magnético para quitar el polvo. Déjelo secar durante algunos minutos antes de colocar la cubierta nuevamente.

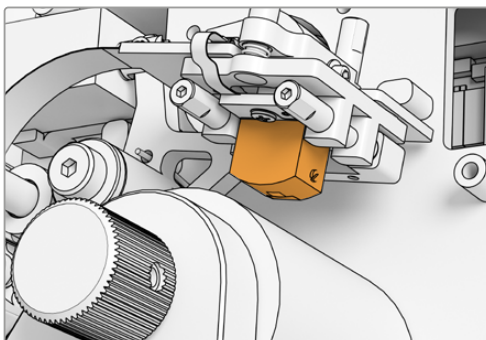
El cabezal magnético ya está desmagnetizado, por lo cual no es necesario realizar ningún procedimiento adicional.

Repuestos para el escáner

Los repuestos para los componentes principales del escáner Cintel se encuentran disponibles en cualquier distribuidor de productos Blackmagic. El mantenimiento del equipo puede realizarse de forma intuitiva y no presenta dificultad alguna. De ser necesario, puede obtener documentación adicional en la oficina de ventas más cercana.

Reemplazo del cabezal magnético

A medida que la banda magnética pasa sobre el cabezal, desgasta lentamente la superficie, lo cual disminuye la calidad del audio. Se recomienda reemplazarlo cada dos o tres años, dependiendo del uso que se le dé al dispositivo.



NOTA: Existen dos versiones del cabezal magnético.

Versión 1

Esta versión del cabezal magnético ya no está disponible y se encuentra instalada en los dispositivos de mayor antigüedad cuyo número de serie es menor de 6943522.

Versión 2

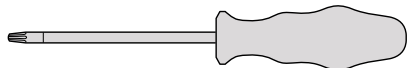
Esta es la versión actual del cabezal magnético instalada en los dispositivos cuyo número de serie es mayor de 6943522.

Si el lector ya cuenta con dicha versión del cabezal, siga el procedimiento descrito en este apartado del manual para reemplazarlo.

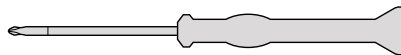
Si el lector tiene instalada la versión 1, deberá sustituirla por el modelo más nuevo. Dicho proceso es más complejo y requiere partes adicionales, además de una mayor destreza técnica. Consulte el documento referente a este procedimiento para obtener más información al respecto. De manera alternativa, nuestra oficina de ventas puede llevar a cabo el reemplazo. Visite nuestra página de asistencia técnica para descargar el documento o ponerse en contacto con nosotros. Una vez instalado el cabezal, su mantenimiento es igual al de cualquier versión de segunda generación.

Herramientas requeridas

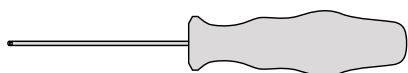
Se necesitan las siguientes herramientas:



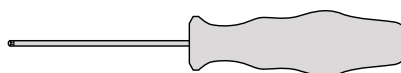
Destornillador T10



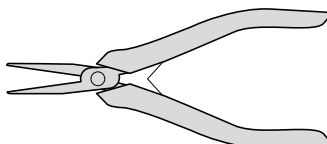
Destornillador PH 00



Destornillador de cabeza hexagonal (1,5 x 60)



Destornillador de cabeza hexagonal (2,5 mm)



Alicate o pinza pequeña

NOTA: Utilice herramientas sin magnetismo a fin de evitar la necesidad de desmagnetizar el cabezal para lograr un funcionamiento óptimo del mismo.

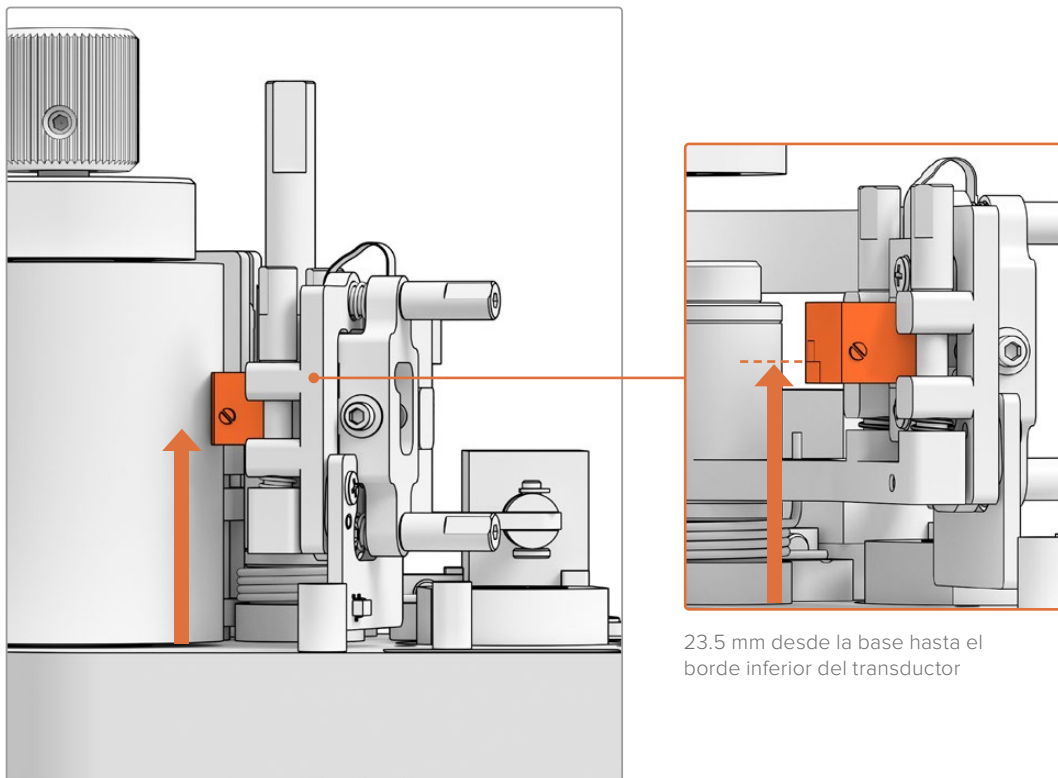
Antes de comenzar

Para garantizar un funcionamiento óptimo del lector, se recomienda tomar una muestra de audio antes del reemplazo a fin de poder comparar la calidad.

Los siguientes tipos de cinta proporcionan una buena referencia:

- Cinta de prueba magnética multifrecuencia Super 16 Bezugs BF16-10A DIN 15 638 (25 f/s)
- Cinta Super 16 para grabadores magnéticos.
- Cebador Super 16, blanco
- Super 16 ComOpt SMPTE P16MF (multifrecuencia)
- Super 35 ComOpt SMPTE P35MF (multifrecuencia)
- Una cinta de referencia magnética combinada que resulte adecuada
- Una cinta de referencia óptica combinada que resulte adecuada

Compruebe la posición inicial del cabezal magnético para poder verificar su funcionamiento una vez finalizado el reemplazo. Asegúrese de medir desde la base del lector hasta el borde de la superficie de contacto del cabezal. Esta medida debería ser de aproximadamente 23.5 mm.

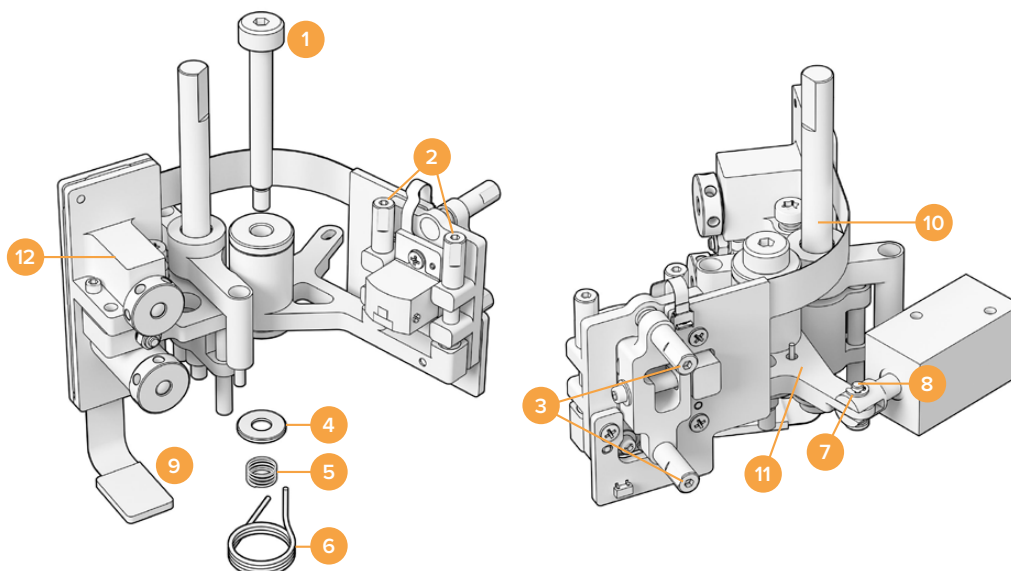


Altura del cabezal magnético desde la base del lector

Una vez completado el proceso de verificación, quite el lector del escáner. Consulte el apartado referente a la instalación de este accesorio para obtener más información al respecto.

Reemplazo de la placa de circuitos impresos del cabezal magnético

Antes de reemplazar el cabezal, consulte la siguiente ilustración para familiarizarse con los distintos componentes.

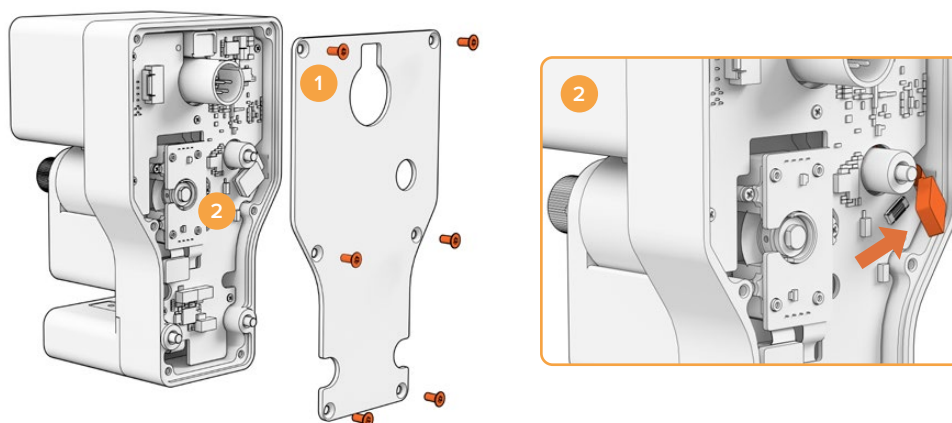


Montaje del cabezal magnético

- | | | | |
|---|---|----|---|
| 1 | Tornillo M3 con reborde | 8 | Pasador de horquilla |
| 2 | Tornillos de ajuste acimutal (A1 y A2) | 9 | Conector de la placa de circuitos para el componente de audio |
| 3 | Tornillos de ajuste cenital (B1 y B2) | 10 | Montura de ajuste vertical |
| 4 | Retenedor de resorte helicoidal | 11 | Brazo del cabezal magnético |
| 5 | Resorte de carga previa | 12 | Bloque óptico |
| 6 | Resorte del brazo del cabezal magnético | | |
| 7 | Arandela en forma de E | | |

Una vez que se haya familiarizado con los componentes del lector, prepare las herramientas necesarias antes de comenzar con el reemplazo del cabezal magnético.

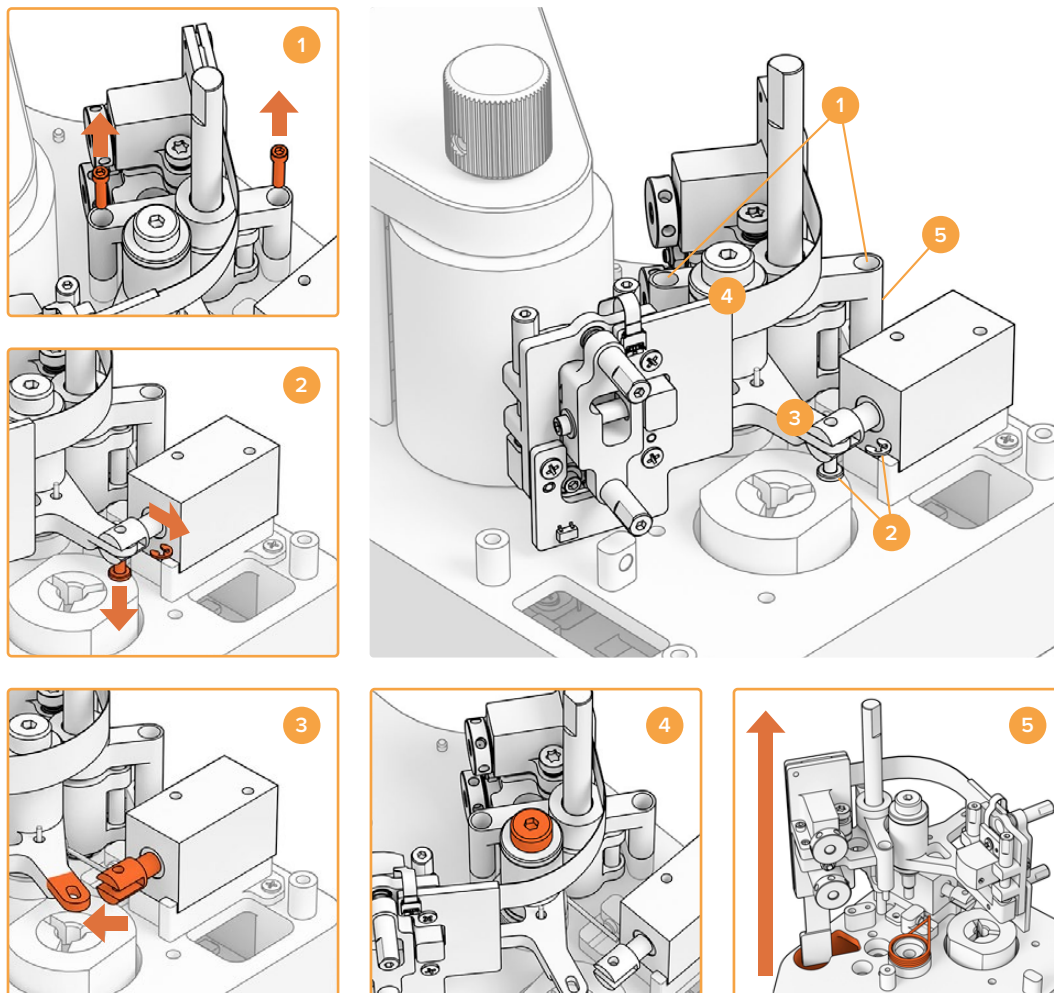
Desinstalación del panel trasero del lector



1. Desinstalación del panel trasero 2. Separación del ensamblaje interior

- 1 Para acceder a la parte posterior de la placa de circuitos impresos principal, es necesario quitar la cubierta trasera. Afloje los seis tornillos avellanados M3 con un destornillador T10 y quite la cubierta.
- 2 En la parte trasera del lector, tire del pasador para desconectar la placa de circuitos impresos.

Desinstalación del ensamblaje interior



1. Desinstalación de la montura de ajuste vertical
2. Pasador de horquilla y arandela en forma de E
3. Desinstalación del brazo del cabezal magnético
4. Tornillo M3 con reborde
5. Desinstalación del ensamblaje interior

- 1 Apoye suavemente la parte trasera del lector. Afloje los dos tornillos M2 situados a ambos lados de la montura de ajuste vertical con el destornillador de cabeza hexagonal de 1.5 mm.
- 2 Quite cuidadosamente la arandela con un par de alicates o una pinza pequeña. Esto permitirá retirar el pasador de horquilla y separar el brazo del solenoide.

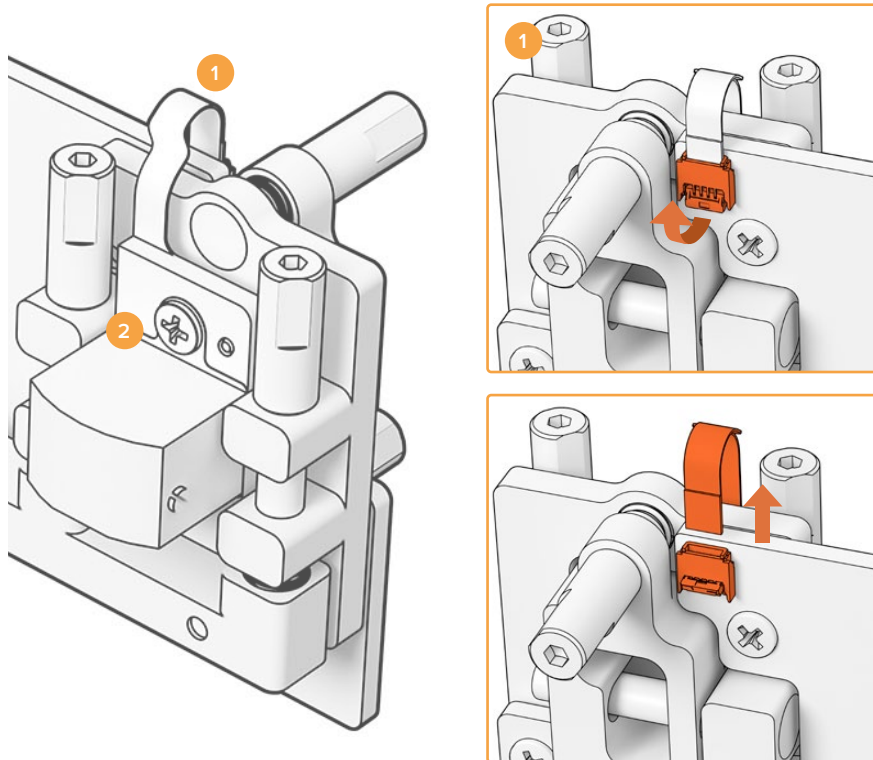
SUGERENCIA: Para quitar el pasador, gire el brazo del componente de audio hasta que pueda deslizarlo por el espacio entre el solenoide y la tuerca de collar. Esta se encuentra en la parte trasera del conector XLR y sujeta el cable.

- 3 Tire del cabezal magnético hacia un costado para separar el ensamblaje interior del solenoide.

- 4 Afloje el tornillo M3 con reborde mediante un destornillador con cabeza hexagonal de 2.5 mm.
- 5 Quite el ensamblaje interior con cuidado asegurándose de que el conector de la placa de circuitos del componente de audio pase por el agujero de la placa principal. Durante este procedimiento, el resorte del brazo del cabezal magnético podría separarse. Consérvelo hasta el momento de armar el ensamblaje anterior nuevamente.

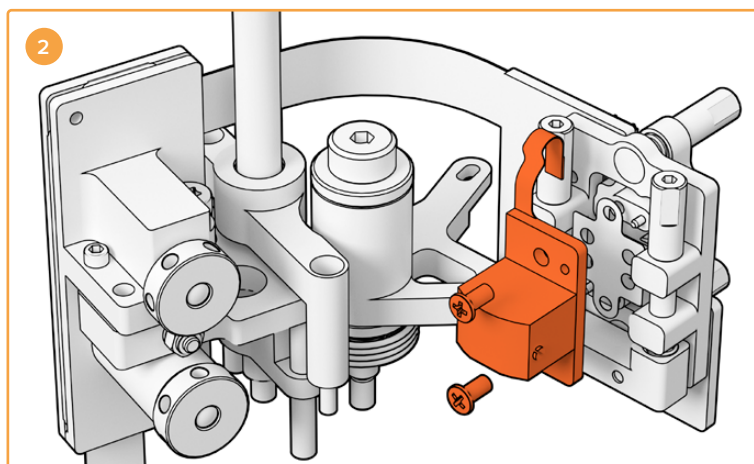
Quite el retenedor del resorte helicoidal y el resorte de carga previa del tornillo con reborde y separe el brazo del cabezal magnético de la montura.

Desinstalación del cabezal magnético



1. Pestillo del conector de la placa de circuitos impresos 2. Separación del cabezal magnético

- 1 En la parte trasera de la placa de circuitos impresos del brazo del componente de audio, tire del pestillo del conector para soltar la placa flexible del cabezal magnético. Quite la placa una vez que se haya soltado.

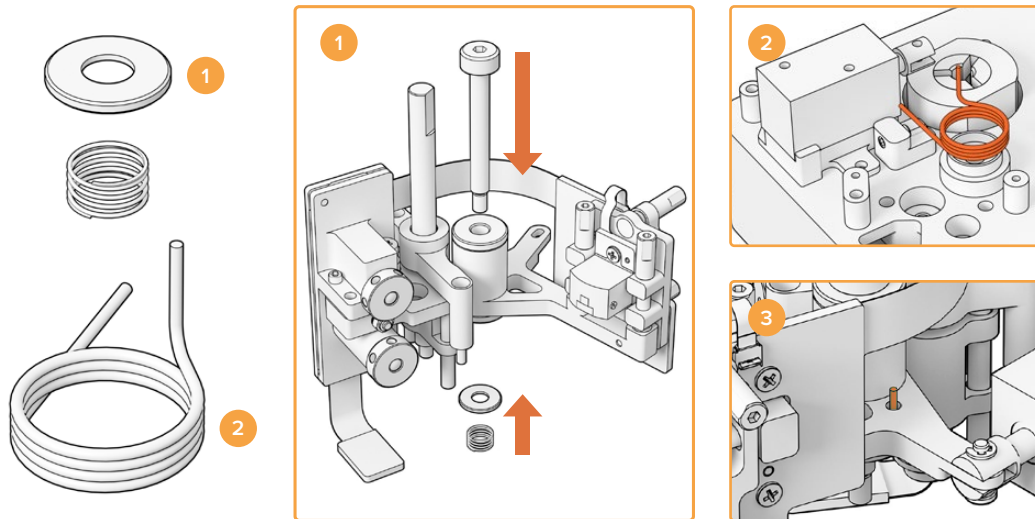


- 2 Afloje los dos tornillos M2 de cabeza plana con un destornillador PH00 para quitar la placa de circuitos impresos original de la montura acimutal y descártela.

Para instalar el cabezal magnético nuevo, siga las instrucciones descritas anteriormente en orden inverso.

Armado del ensamblaje interior

Después de reemplazar el cabezal magnético, arme nuevamente ensamblaje interior e instálelo en el lector.



1. Retenedor del resorte helicoidal y resorte de carga previa
2. Resorte del brazo del cabezal magnético
3. Inserte el resorte del brazo del cabezal magnético en el componente de audio

- 1 Encaje el retenedor del resorte helicoidal en el tornillo M3 con el lado dentado hacia abajo y, a continuación, el resorte de carga previa.
- 2 Coloque el resorte del brazo del cabezal magnético en la montura.
- 3 El brazo del componente de audio incluye un pequeño agujero para el extremo superior del resorte del cabezal magnético. Al instalar el ensamblaje interior, inserte el extremo en dicho agujero.
- 4 Una vez que haya colocado estos resortes en el ensamblaje interior y en la montura, puede instalar el ensamblaje en el lector. Para ello, basta con seguir las instrucciones descritas en los apartados anteriores en orden inverso.

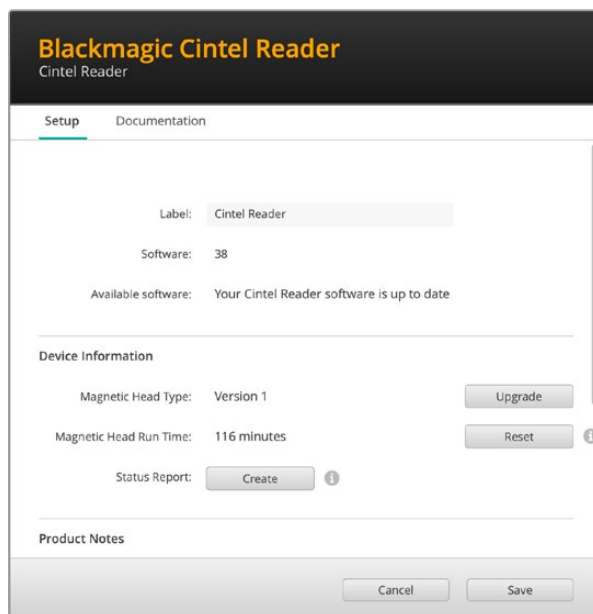
SUGERENCIA: Al instalar el ensamblaje interior en el lector, asegúrese de pasar el conector de la placa de circuitos del componente de audio por el agujero en la placa principal.

A continuación, instale nuevamente el lector en el escáner. Sujete el lector al conector XLR del escáner mediante los tres tornillos M3.

No coloque las cubiertas frontales del lector aún, ya que será preciso acceder a los componentes durante el proceso de calibración y prueba.

Reinicio del contador

Después de reemplazar el cabezal magnético del lector, es preciso reiniciar el contador del tiempo de funcionamiento mediante el programa utilitario del escáner.



En la sección **Device Information**, haga clic en el botón **Reset** para reiniciar el contador, a fin de controlar el uso del nuevo cabezal y determinar en qué momento será preciso reemplazarlo nuevamente.

El botón **Upgrade** permite actualizar el cabezal magnético. Visite nuestra página de asistencia técnica para obtener más información.

Alineación del cabezal

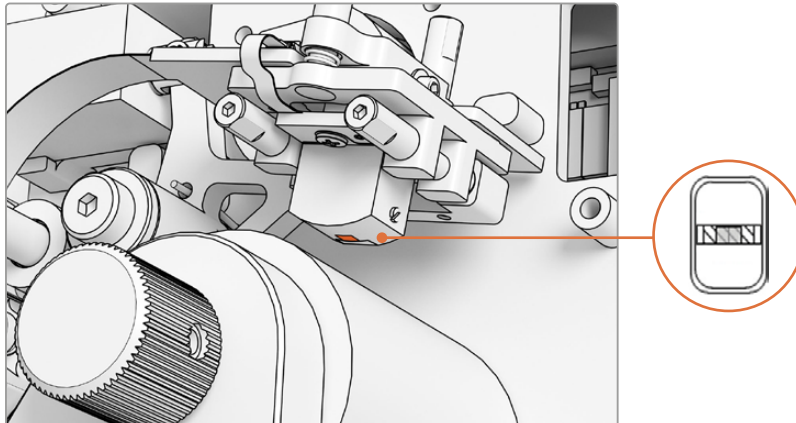
La correcta alineación del cabezal magnético es fundamental para garantizar la calidad del audio y minimizar el desgaste irregular del componente.

Utilice el programa DaVinci Resolve para digitalizar bandas sonoras ópticas o magnéticas y comparar los archivos obtenidos con las muestras de referencia originales.

Se recomiendan las siguientes películas de referencia para comprobar el funcionamiento del cabezal magnético instalado:

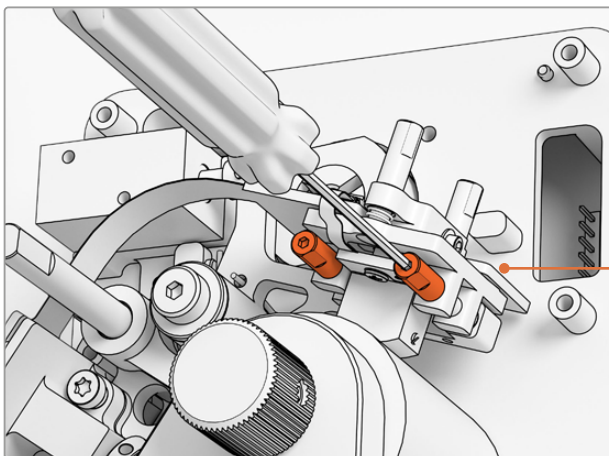
- Cinta de prueba magnética multifrecuencia Super 16 Bezugs BF16-10A DIN 15 638 (25 f/s)
- Cinta Super 16 para grabadores magnéticos
- Cebador Super 16, blanco
- Super 16 ComOpt SMPTE P16MF (multifrecuencia)
- Super 35 ComOpt SMPTE P35MF (multifrecuencia)
- Cintas de referencia ópticas o magnéticas combinadas (ComOpt o CoMAG, respectivamente) que resulten adecuadas

Cabezal magnético

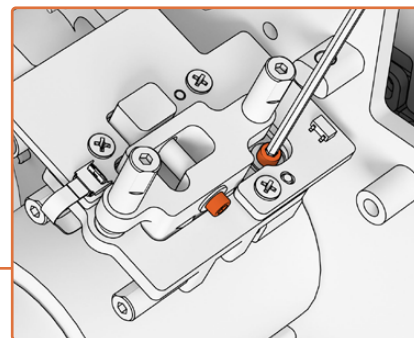


Cabezal magnético instalado en el lector

Al ajustar la posición y el ángulo del cabezal magnético, preste atención a la rotación, el cenit, la altura de la alineación y el acimut. Utilice el destornillador de cabeza hexagonal (1.5 x 60) para ajustar el acimut y la alineación mediante los tornillos A1 y A2, así como el cenit y la rotación a través de los tornillos B1 y B2, de ser necesario.



Ajuste los tornillos A1 y A2 mediante un destornillador con cabeza hexagonal de 1.5 mm para modificar el acimut del cabezal magnético



A los efectos de disminuir la tensión del punto pivotante en el acimut y el cenit, afloje los ocho tornillos M.2 correspondientes en la parte superior y lateral de la placa de circuitos impresos del cabezal magnético.

Control del desgaste:

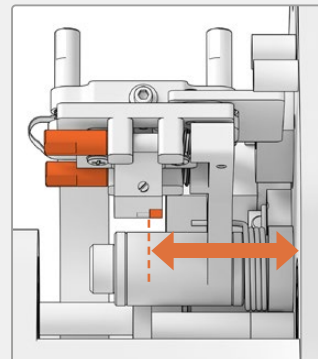
- 1 Marque la cara del transductor con un rotulador.
- 2 Adelante la cinta con cebador de 16 mm entre 3 y 5 segundos solamente.
- 3 Compruebe que el desgaste del cabezal sea parejo y realice los ajustes necesarios. Utilice nuevamente el rotulador si es necesario repetir el procedimiento varias veces.
- 4 Elimine la marca del rotulador con alcohol una vez que se obtengan los resultados deseados.



Una alineación adecuada produce un desgaste parejo.

Alineación

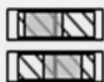
Utilice los tornillos acimutales A1 y A2 para alinear el cabezal con una banda magnética de 16 mm. La distancia desde la base del lector hasta el borde de la superficie de contacto del cabezal debería ser de aproximadamente 23.5 mm, al igual que antes de reemplazar el componente. Nótese que todos los tornillos de ajuste cuentan con un mecanismo de resorte y han sido engrasados, por lo cual no es necesario apretarlos demasiado.



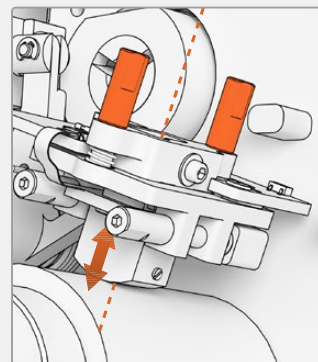
Altura

Ajuste los tornillos verticales B1 y B2 para modificar la altura del cabezal magnético. Compruébela según la alineación con la cinta.

Esto permite garantizar que el desgaste se produce de manera centrada con respecto al espacio en el cabezal magnético.



Un ajuste incorrecto de la altura dará lugar a un desgaste irregular.

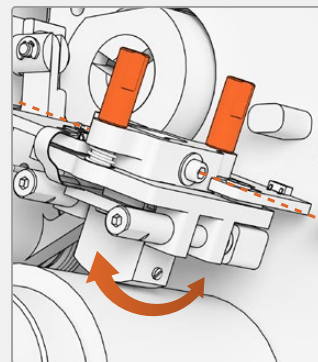


Cenit

Ajuste los tornillos verticales B1 y B2 individualmente para modificar el cenit (o inclinación). Compruebe el ángulo de la tangente según la alineación con la cinta. Esto permite garantizar que el desgaste producido es parejo.



Un ajuste incorrecto del cenit dará lugar a un desgaste irregular.

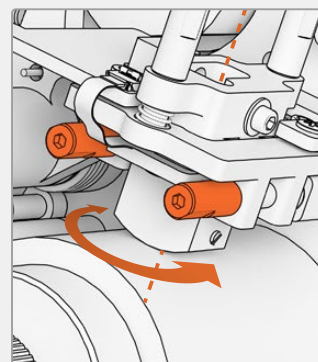


Acimut

Los tornillos horizontales A1 y A2 modifican el acimut y permiten establecer la posición perpendicular del cabezal. Ajústelos para lograr una modulación máxima de la señal y una linealidad de fases.



Un ajuste incorrecto del acimut dará lugar a un desgaste irregular y producirá una respuesta menor ante las frecuencias altas.



NOTA: Una vez que se encuentre satisfecho con el funcionamiento del nuevo cabezal, coloque nuevamente los ocho tornillos M.2.

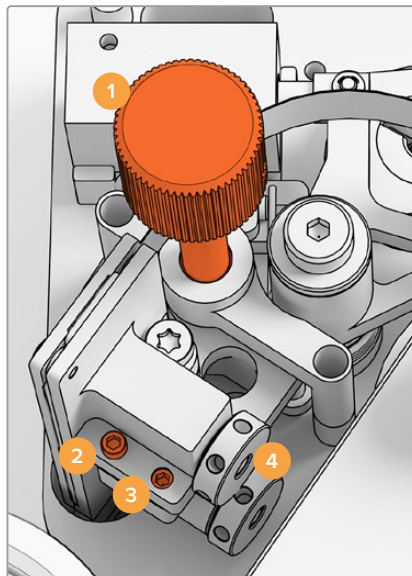
SUGERENCIA: Utilice un tono con una frecuencia tan alta como sea posible, de preferencia 10 kHz. Compruebe el archivo .wav generado y la transformada rápida de Fourier en DaVinci Resolve mediante el analizador de frecuencias del módulo Fairlight. De manera alternativa, es posible emplear herramientas de terceros a través de la salida para auriculares o un dispositivo Desktop Video para el escáner.



Muestra de 3.15 kHz en el analizador de frecuencias

Alineación del bloque óptico

Compruebe que el bloque del sonido óptico funcione correctamente verificando la alineación de las lentes.



1. Control de alineación
2. Tornillo de ajuste acimutal (M2)
3. Tornillo de bloqueo acimutal (M3)
4. Lentes para sonido óptico

Altura

Ajuste el control de alineación a fin de alinear las lentes para el audio óptico con las bandas sonoras en las cintas de 16 y 35 mm. Compruebe que las lentes cubran cada banda sin superponerse a las otras. Es posible verificar la intensidad del audio digitalizando una película óptica combinada (ComOpt) para observar la forma de onda y la transformada rápida de Fourier en el módulo Fairlight de DaVinci Resolve, mediante el analizador de frecuencias. De manera alternativa, es posible emplear herramientas de terceros a través de la salida para auriculares o un dispositivo Desktop Video para el escáner.

Acimut

El acimut para el bloque óptico es un ajuste determinado durante la fabricación del dispositivo. En el caso poco probable de que necesite modificarlo, lleve a cabo los pasos descritos a continuación.

- 1 Afloje el tornillo de bloqueo acimutal (M3) mediante un destornillador de cabeza hexagonal (1.5 mm).
- 2 Utilice una película de 35 mm con un tono de referencia de alta frecuencia y gire el tornillo de ajuste acimutal (M2) para garantizar que los canales izquierdo y derecho estén alineados y sincronizados.
- 3 Una vez que esté satisfecho con el resultado, apriete nuevamente el tornillo de bloqueo acimutal.

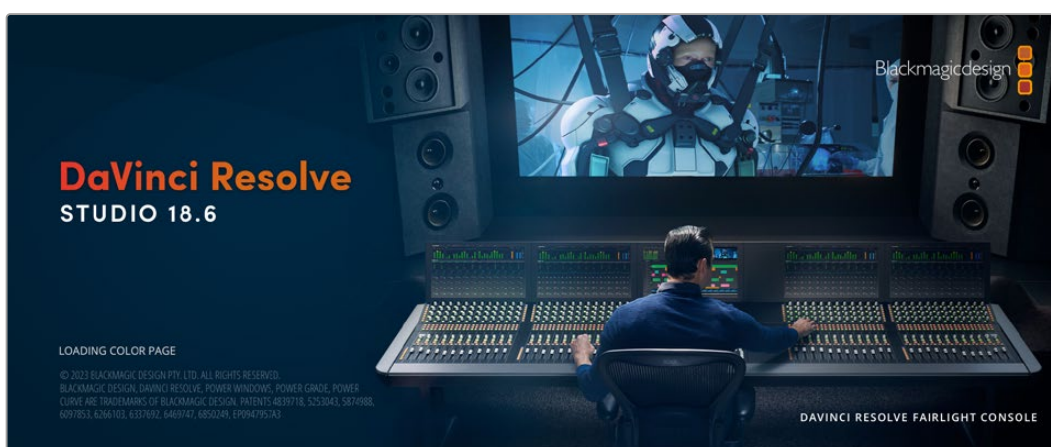
NOTA: En ocasiones, al apretar el tornillo de bloqueo acimutal, es posible que el acimut se vea ligeramente afectado. Si esto ocurre, simplemente repita los pasos descritos anteriormente.

Después de finalizar la calibración del cabezal magnético y del bloque de audio óptico, coloque la cubierta frontal y apriete los cuatro tornillos M3 mediante un destornillador con cabeza hexagonal de 2.5 mm. Una vez colocada la cubierta, instale nuevamente el mando giratorio de ajuste con un destornillador de cabeza hexagonal de 1.5 mm.

Proyectos en DaVinci Resolve

La herramienta de clonación que ofrece DaVinci Resolve en el módulo **Medios** puede emplearse para crear respaldos del material digitalizado. Esto resulta de suma utilidad, ya que los archivos digitales son susceptibles de sufrir daños o presentar fallas. Sin embargo, contar con copias de seguridad previene la pérdida de las imágenes. Una vez finalizado este paso, es posible agregar los clips al panel multimedia de DaVinci Resolve para editarlos, etalonarlos y aplicar retoques finales sin salir de la aplicación.

SUGERENCIA: Los clips con alto rango dinámico se identifican mediante el ícono HDR en la parte inferior izquierda de la miniatura correspondiente.



El escáner digitaliza las imágenes en formato RAW CRI con un rango dinámico amplio, por lo cual DaVinci Resolve brinda la posibilidad de ajustar las tomas para lograr cualquier tipo de apariencia deseada. El programa se utiliza en la mayoría de los grandes éxitos cinematográficos y ofrece mucho más que un simple sistema de edición no lineal, dado que cuenta con tecnología de avanzada que permite obtener imágenes de calidad extraordinaria. El usuario puede sacar provecho de esta funcionalidad para editar y etalonar los contenidos digitalizados.

A continuación se proporciona información sobre cómo utilizar DaVinci Resolve con el material escaneado. El programa es revolucionario y contiene muchas más funciones de las que se aprecian en la interfaz a primera vista. Para obtener más información sobre su uso, consulte el manual de instrucciones, disponible en nuestro sitio web, donde también encontrará tutoriales y guías de capacitación.

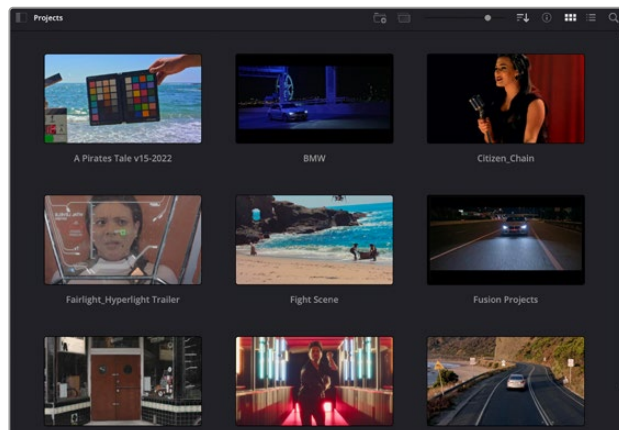
Organizador de proyectos

Antes de importar los clips y comenzar a editar, es necesario configurar el proyecto mediante el organizador de proyectos.

Este aparece inmediatamente al abrir DaVinci Resolve. Sin embargo, se puede acceder a él en cualquier momento haciendo clic en el ícono correspondiente, situado en la esquina inferior derecha de la interfaz, para abrir proyectos o crear otros nuevos.

Para crear un nuevo proyecto, haga clic en la opción **Crear proyecto**, en la parte inferior de la interfaz, y escriba el nombre del mismo. Haga clic en **Crear**.

Con el módulo Montaje, es posible comenzar a editar el proyecto inmediatamente.



El Organizador de proyectos permite ver todos los proyectos del usuario.

Consulte el manual de DaVinci Resolve, disponible en nuestro sitio web, para obtener más información al respecto.

Edición con el módulo Montaje

El módulo Montaje ofrece una dinámica de trabajo ágil que ofrece la oportunidad de editar, cortar y montar clips de manera rápida y eficiente.

Dos líneas de tiempo activas permiten trabajar simultáneamente tanto en toda la edición como en un área en particular. Esto brinda la posibilidad de colocar clips en cualquier lugar en la línea de tiempo y, a continuación, realizar cambios específicos en el mismo espacio de trabajo. Gracias a esta dinámica de trabajo, podrá editar en un equipo informático portátil sin que sea necesario acercar, alejar o mover la línea de tiempo a medida que avanza, lo que supondrá un ahorro de tiempo significativo.

Módulo Montaje

Al abrir el módulo **Montaje**, se visualizan el panel multimedia, el visor y la línea de tiempo, lo que brinda un control absoluto sobre los cambios que se realizan.



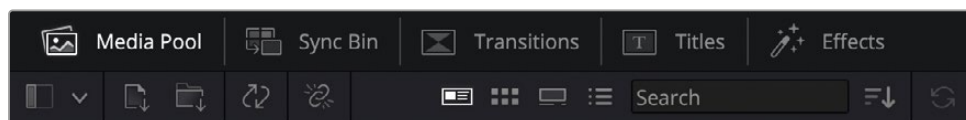
Distribución predeterminada del módulo Montaje, con los archivos del panel multimedia en el modo de vista en miniatura

Consulte el apartado correspondiente en el manual de DaVinci Resolve (disponible en idioma inglés) para obtener más información al respecto.

Organización de archivos multimedia

En la esquina superior izquierda de la interfaz hay cinco pestañas.

Haga clic en ellas para acceder a las herramientas que necesitará a fin de editar. Por ejemplo, la primera pestaña es el **Panel multimedia**. El resto son opciones para sincronizar las bandejas y organizar transiciones, títulos y efectos, respectivamente.



Panel multimedia

Aquí se encuentran todos los clips, las carpetas y los archivos importados mediante el módulo Medios. Asimismo, es posible importar los archivos directamente desde el módulo Montaje, a fin de evitar tener que alternar entre ambos.

Bandeja de sincronización

Esta opción sincroniza automáticamente todos los clips de acuerdo con el código de tiempo, la fecha y la hora, lo que permite seleccionar ángulos de todas las cámaras en un proyecto multicámara.

Transiciones

Esta pestaña permite acceder a todas las transiciones audiovisuales que es posible utilizar en el proceso de edición. Estas incluyen opciones comunes, tales como fundidos encadenados y cortinillas.

Títulos

Esta opción permite seleccionar el tipo de título, por ejemplo, un texto estándar con desplazamiento o situado en el tercio inferior de la imagen. Asimismo, se ofrecen distintas plantillas de efectos Fusion, a fin de emplear títulos animados y dinámicos, que a su vez pueden personalizarse desde el módulo Fusion en DaVinci Resolve.

Efectos

Esta opción brinda acceso a distintos filtros y efectos, con el propósito de añadir dinamismo a la edición, por ejemplo, mediante efectos personalizables de desenfoque o brillo. Es posible escoger entre una gran variedad de efectos extraordinarios, y es muy sencillo encontrarlos gracias a la herramienta de búsqueda.

SUGERENCIA: Utilice la herramienta de búsqueda, situada cerca de los íconos de organización de archivos, a fin de encontrar lo que necesita. Por ejemplo, con la pestaña de transiciones seleccionada, escriba «disolvencia» en la barra para ver únicamente este tipo de transiciones y facilitar su búsqueda.

Modos de vista

En la esquina superior izquierda del visor hay botones para los distintos modos de vista.



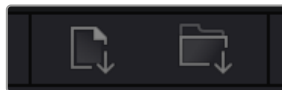
Botones para modos de vista

Estos botones permiten seleccionar el modo de vista. Las opciones disponibles son: **Clip original**, **Modo de cinta** y **Línea de tiempo**. Estas ofrecen un control absoluto al elegir clips para editarlos, por lo que recomendamos tomarse un momento para aprender sobre ellas.

	Clip original	Este modo permite ver un solo clip del panel multimedia y marcar puntos de entrada y salida a lo largo de toda la línea de tiempo. Esto ofrece un mayor control. Para seleccionar un clip, basta con hacer doble clic sobre él en el panel multimedia o arrastrarlo al visor.
	Modo de cinta	Esta opción permite ver todos los clips del panel multimedia, por lo que resulta muy útil cuando es preciso buscar rápidamente un evento en particular entre todos los archivos. Al desplazar el cabezal de reproducción sobre los clips, las miniaturas correspondientes se seleccionan automáticamente en el panel multimedia. Es decir, al encontrar el clip que se desea editar, es posible cambiar al modo Clip original para que se muestre en el visor automáticamente. El modo de cinta ofrece las ventajas del proceso de edición no lineal, permitiendo al usuario realizar cambios, encontrar tomas de manera rápida y probar nuevas ideas sin perder el hilo de la historia.
	Línea de tiempo	Esta opción permite ver la línea de tiempo en la que se está editando, lo cual brinda la posibilidad de reproducir el proyecto y optimizar los cambios.

Importar clips al panel multimedia

A continuación, es posible comenzar a importar archivos al proyecto desde el panel multimedia en el módulo Montaje mediante las herramientas situadas en la parte superior de la interfaz.



Seleccione una de las opciones para agregar archivos al proyecto.

	Importar archivos multimedia	Esta opción permite importar archivos individuales desde la ubicación en la que se encuentran almacenados.
	Importar carpetas	Esta opción permite importar carpetas desde la unidad en la que se encuentran almacenadas. Al hacerlo, DaVinci Resolve mantendrá la estructura de los archivos y tratará cada carpeta como una bandeja individual, brindando así la posibilidad de alternar entre ellas para encontrar las imágenes y los archivos deseados.

Para importar archivos:

- 1 Haga clic sobre el ícono para importar archivos o carpetas.
- 2 Acceda a la unidad de almacenamiento en la que se encuentra el material que desea importar.

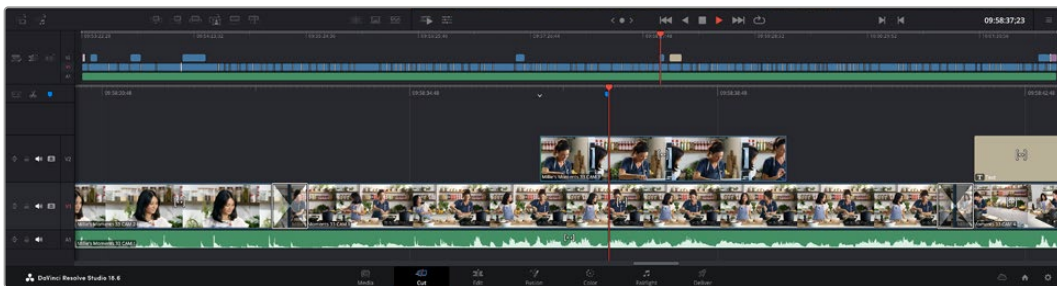
- 3 Seleccione el archivo o la carpeta y haga clic en **Abrir**.

Una vez añadido el material, es un buen momento para guardar los cambios efectuados en el proyecto. En este sentido, DaVinci Resolve ofrece una opción de guardado automático que se activa después de haber guardado los cambios de forma manual por primera vez. Esto disminuye el riesgo de perder el trabajo realizado.

Consulte el apartado correspondiente en el manual de DaVinci Resolve para obtener más información al respecto.

Agregar clips al panel multimedia

Ahora que ya está familiarizado con las opciones de organización de archivos multimedia y los modos de visualización, puede abrir el panel multimedia para comenzar a agregar rápidamente clips a la línea de tiempo.



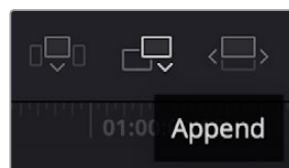
Líneas de tiempo del módulo Montaje

La línea de tiempo es el área de trabajo en la que se pueden agregar clips a distintas pistas, cambiarlos de lugar y recortarlos. Las pistas brindan la posibilidad de colocar los clips en diferentes capas, lo que ofrece una mayor flexibilidad para probar distintos cambios y crear transiciones y efectos. Por ejemplo, es posible editar un clip en una capa sin que los cambios realizados en este afecten a los situados en las capas inferiores.

Existen distintos modos de agregar clips a la línea de tiempo, por ejemplo, mediante las funciones **Inserción inteligente**, **Agregar clips** o **Superponer**.

Agregar clips

Al seleccionar tomas y realizar el montaje, es probable que estas se agreguen a la línea de tiempo sucesivamente. La herramienta **Agregar clips** es ideal para esto, ya que facilita el proceso de edición.



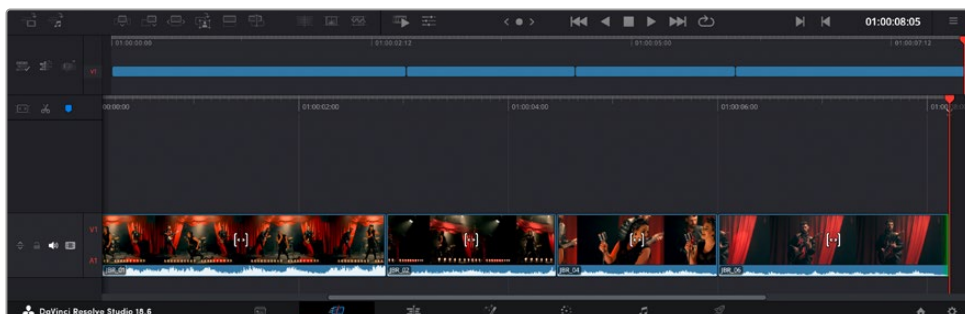
Haga clic en el ícono correspondiente para agregar otros clips al final del último

Para agregar clips al final:

- 1 A continuación, haga doble clic en cualquier clip del panel multimedia para abrirlo en el visor de medios originales.
- 2 Con la herramienta de recorte, arrastre los puntos de entrada y salida para seleccionar la duración precisa de la toma. Asimismo, es posible presionar las teclas **I** (entrada) y **O** (salida) para marcar dichos puntos.



- 3 A continuación, haga clic en el ícono **Agregar clips**, situado debajo del panel multimedia. El primer clip se situará al principio de la línea de tiempo.
- Repita los pasos 1 a 3 para continuar agregando clips automáticamente sin dejar espacios vacíos en la línea de tiempo.



La función **Agregar clips** permite asegurarse de que no hay espacios vacíos en la línea de tiempo.

SUGERENCIA: Cabe la posibilidad de agilizar aún más este proceso asignando una combinación de teclas a la función **Agregar clips**. Por ejemplo, asignarle la letra **P** es ideal para marcar puntos de entrada y salida, y agregar clips mediante el teclado. Consulte el manual de DaVinci Resolve para obtener más información al respecto.

Recortar clips en la línea de tiempo

Una vez agregados los clips a la línea de tiempo, es posible cambiarlos de lugar o recortarlos.

Para recortar un clip, sitúe el mouse al principio o final del mismo. Luego, haga clic y arrástrelo hacia la derecha o la izquierda, por ejemplo, para aumentar o disminuir su duración. Notará que, una vez realizado el recorte, los clips en la línea de tiempo se desplazarán según los ajustes llevados a cabo. De esta forma, el módulo Montaje permite ahorrar tiempo.

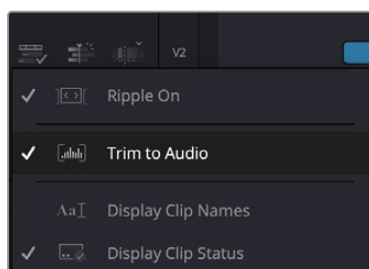
Incluso es posible seleccionar el clip y moverlo a una nueva pista en la línea de tiempo, sin necesidad de ampliarla o reducirla. Esto ayuda a agilizar el proceso de edición porque no es necesario desplazarse por toda la línea de tiempo.

Vista para recorte de audio

Esta opción permite modificar el audio con precisión, ya que brinda la posibilidad de expandir la forma de onda en la línea de tiempo. Es muy útil al editar escenas con diálogo o videoclips y además facilita la búsqueda de puntos de edición entre palabras o golpes.

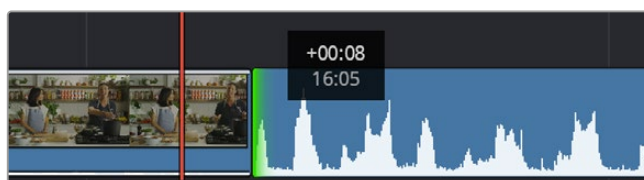
Para usar este modo de vista:

- 1 Haga clic en el ícono correspondiente a las opciones para la línea de tiempo y seleccione la opción **Recortar en audio**.



Opción **Recortar en audio**

- 2 Ahora, al recortar el audio, la forma de onda estará expandida en la línea de tiempo. Una vez finalizada la edición, los clips volverán a su tamaño normal.



Vista de recorte de audio con la forma de onda expandida en la línea de tiempo

Después de editar los clips en el módulo Montaje, es posible agregar un título. A continuación, se explica cómo hacerlo.

Agregar títulos

Hay distintas posibilidades para agregar un título a la línea de tiempo, todas ellas muy sencillas.

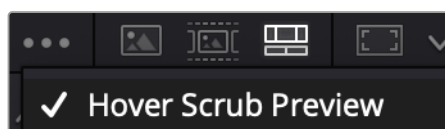
Para ver los distintos tipos de títulos que se pueden emplear, haga clic en la pestaña **Títulos**, situada en la esquina superior izquierda de la interfaz. En la ventana de selección se mostrarán todos los generadores de títulos que se pueden emplear, desde vistas en miniatura o tercios inferiores hasta opciones con movimiento u otras más tradicionales. Incluso es posible agregar títulos en Fusion con efectos animados personalizables.

Previsualización de títulos

Antes de agregar un título a la línea de tiempo, es posible previsualizarlo mediante la ventana **Títulos**. Esta prestación brinda la oportunidad de ver todas las opciones disponibles antes de escoger la final.

Para previsualizar un título:

- 1 En el menú situado en la esquina superior derecha del panel de títulos, seleccione **Hover Scrub Preview**.



Active la opción en el menú correspondiente.

- 2 En la ventana de selección de títulos, coloque el puntero sobre una de las miniaturas para que se muestre en el visor. En el caso de títulos animados o de Fusion, mueva el puntero de izquierda a derecha sobre la miniatura para ver la animación.



Mueva el puntero sobre la miniatura de un título para que se muestre en el visor.

Una vez escogido el título deseado, es posible agregarlo a la línea de tiempo.

Para agregar un título común:

- 1 Haga clic en la opción **Texto** y arrástrela a la línea de tiempo. No importa a cuál de ellas, aunque se recomienda hacerlo a la línea de tiempo detallada para lograr una mayor precisión. Se creará automáticamente una nueva pista para el título, y el cabezal se desplazará al principio de la misma.
- 2 Suelte el botón del mouse para que el título aparezca en la nueva pista. Ahora es posible cambiarlo de lugar o modificar su duración como si fuera un clip.
- 3 Para editar el título, haga clic en el nuevo clip y, a continuación, en el ícono de herramientas que aparecerá.
Aparecerá una lista de herramientas que se pueden utilizar a fin de modificar el clip, por ejemplo, para transformarlo, recortarlo o ampliar la imagen.
- 4 A continuación, haga clic en el inspector.

En el inspector, escriba el título deseado y modifique sus ajustes, por ejemplo, el interletrado, el interlineado, el tipo de fuente o el color.

Se ofrecen una gran variedad de opciones que permiten personalizar cualquier título.

Recomendamos probarlas todas, a fin de ver cómo los distintos ajustes cambian su apariencia.

SUGERENCIA: En los módulos Edición y Montaje también es posible mover el puntero por encima de efectos, transiciones, generadores y filtros para previsualizarlos.

Archivos Blackmagic RAW

Los clips en formato Blackmagic RAW brindan una gran flexibilidad en la etapa de posproducción. Esto brinda la posibilidad ajustar el balance de blancos y la sensibilidad ISO con posterioridad a la grabación, como si se estuvieran cambiando los valores originales de la cámara. Asimismo, este códec conserva más información sobre las diferentes tonalidades en las luces y sombras, lo cual resulta útil cuando es necesario recuperar detalles, por ejemplo, en un cielo sobrepuesto o en áreas oscuras de la imagen.

Es recomendable grabar en formato Blackmagic RAW si se desea lograr la mejor calidad posible, o en tomas que presentan cambios abruptos entre las luces y las sombras, cuando es necesario ajustar el color de dichas regiones en la mayor medida posible.

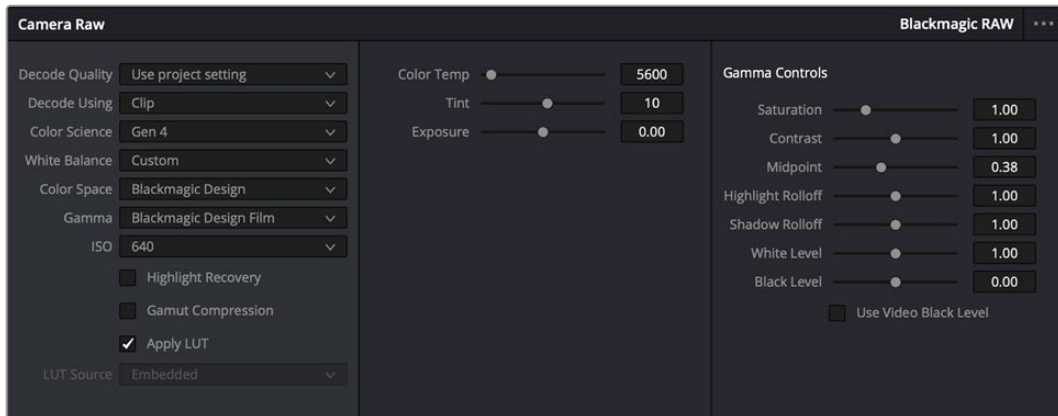
Gracias a la velocidad y el tamaño de los archivos Blackmagic RAW, no es necesario crear otros proxy, y la reproducción se realizará como con un clip de video estándar. Este apartado incluye información acerca de la dinámica de trabajo en DaVinci Resolve con Blackmagic RAW.

SUGERENCIA: Es recomendable modificar los ajustes Blackmagic RAW de los clips en el módulo Color antes de comenzar a etalonarlos.

Ajustes del clip para el formato Blackmagic RAW

Cuando se importan archivos Blackmagic RAW por primera vez, DaVinci Resolve decodifica la información de la cámara incluida en estos utilizando los ajustes para el valor ISO, el balance de blancos y el tinte empleados durante la grabación. Una vez satisfecho con la apariencia, es posible comenzar inmediatamente con la edición.

Una de las grandes ventajas del formato Blackmagic RAW es que no depende de dichos ajustes. Gracias a la variedad de opciones disponibles en esta etapa, con el transcurso del tiempo se puede desarrollar una dinámica de trabajo propia. Al experimentar con los ajustes de los clips, se tiene una idea de lo extraordinario y flexible que resulta este códec.



En el panel **Ajustes RAW**, seleccione la opción **Clip** en el menú **Modo** para modificar los ajustes de clips Blackmagic RAW.

Modificar ajustes del formato Blackmagic RAW

Una vez que se ha seleccionado la opción de clip en el modo de decodificación para el formato Blackmagic RAW, es posible modificar todos los ajustes que estaban desactivados previamente. Esto permite lograr una apariencia más similar a un etalonaje inicial. Asimismo, es un método particularmente excepcional al combinarlo con el uso de las representaciones gráficas, las cuales ayudan a neutralizar y balancear los clips, a fin de aplicarles una estética determinada.

A continuación, se brinda información sobre el clip y los controles para la curva de respuesta tonal:

ISO

Es posible aumentar o disminuir el valor **ISO**, lo cual resulta útil al optimizar un clip indicando un punto de partida más claro u oscuro.

Recuperación de luces

Marque esta casilla para recuperar los detalles de las luces en los canales con pérdida de información empleando otros completos.

Compresión del espectro cromático

Seleccione la casilla para mantener automáticamente los niveles adecuados del espectro cromático.

Temperatura

Esta opción permite añadir más calidez o frialdad a la imagen para neutralizar su balance cromático.

Tinte

Al ajustar esta opción, se añaden tonos verdes o magentas a la imagen, a fin de lograr un mejor balance cromático.

Exposición

Permite ajustar el brillo general de la imagen.

Saturación

El valor predeterminado para este parámetro es 1 y se puede ajustar entre -1 y 4.

Contraste

El valor predeterminado para este parámetro es 1.0. Mueva el control hacia la izquierda para disminuirlo (mínimo 0) o a la derecha para aumentarlo (máximo 2).

Tonos intermedios

En el modo **Film**, el valor predeterminado para los tonos grises intermedios es de 0.38 o 38.4 %. Mueva el control hacia la izquierda para disminuirlo o hacia la derecha para aumentarlo a 100. Una vez ajustado el contraste, es posible modificar la atenuación de las luces y las sombras.

Reducción de luces

Mueva el control hacia la izquierda a fin de disminuir el valor a 0, o hacia la derecha para incrementarlo a 2. El valor predeterminado es 1.

Reducción de sombras

Mueva el control hacia la izquierda a fin de disminuir el valor a 0, o hacia la derecha para incrementarlo a 2.

Nivel de blancos

Ajuste el punto blanco de la curva de respuesta tonal moviendo el control desde el valor más alto (2) hasta el más bajo (0). El valor predeterminado es 1.

Nivel de negros

Eleve el punto negro de la curva de respuesta tonal personalizada moviendo el control hacia la derecha desde el valor más bajo (-1) hasta el máximo (1). El valor predeterminado es 0.

Usar nivel de negros en modo Video

Marque la casilla para ajustar este parámetro.

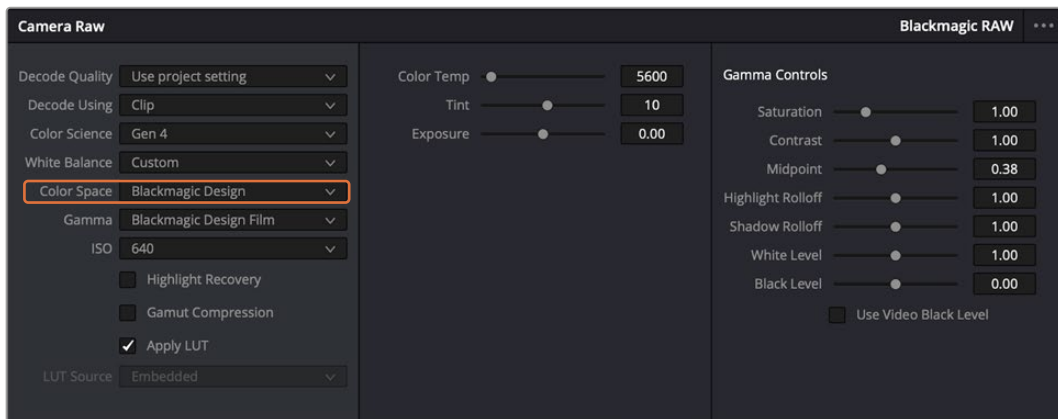
Exportar fotograma

Al seleccionar esta opción, es posible exportar un fotograma de un clip en formato Blackmagic RAW.

Actualizar Sidecar

Haga clic en este botón para actualizar el archivo .sidecar Blackmagic RAW del clip seleccionado.

Cualquier modificación realizada en los clips Blackmagic RAW se reflejará en los ajustes **Gamma**, cuyo nombre cambiará a **Blackmagic Design Custom**.



Si desea regresar a una de las opciones disponibles por defecto, basta con seleccionarla en el menú desplegable.

SUGERENCIA: Los controles **Gamma** se encuentran desactivados para el material grabado en modo **Video**, aunque no se pierden datos del formato Blackmagic RAW. Basta con seleccionar la opción **Blackmagic Design Film** o **Blackmagic Design Extended Video** en el menú desplegable a fin de realizar ajustes.

Para guardar cambios en Blackmagic RAW:

- 1 Ajuste los controles de los tonos intermedios en el clip Blackmagic RAW.
- 2 Haga clic en el botón **Actualizar .sidecar**.

Se creará un archivo .sidecar en la misma carpeta del archivo .braw. Cuando otro usuario importe el material en formato Blackmagic RAW, DaVinci Resolve reconocerá automáticamente los archivos .sidecar. Si se realizan ajustes adicionales, haga clic en este botón nuevamente.

SUGERENCIA: Para eliminar el archivo .sidecar, basta con borrarlo de la carpeta en la unidad de almacenamiento.

Ajustes del proyecto para el formato Blackmagic RAW

Cuando es preciso cambiar valores que afectan a todos los clips, tal como el balance de blancos o la sensibilidad ISO, es posible configurar el programa para que estos utilicen los ajustes RAW del proyecto y luego realizar las modificaciones necesarias a dichos parámetros.

Para configurar los ajustes Blackmagic RAW del proyecto:

- 1 Abra el menú **Archivo** y seleccione **Configuración del proyecto**.
- 2 En la pestaña **Ajustes RAW**, hay un menú junto a la opción **Perfil RAW**. Haga clic en la flecha y seleccione **Blackmagic RAW** en la lista.
- 3 Seleccione la opción **Proyecto** en el menú desplegable **Modo**.
- 4 Seleccione una opción para la colorimetría en el menú.
- 5 Seleccione la opción **Personalizado** para el ajuste **Balance de blancos**.
- 6 Elija la opción **Blackmagic Design Custom** en el menú **Gamma**. A continuación, seleccione **Blackmagic Design** para el espacio cromático.

- 7 Seleccione la resolución correspondiente en el menú **Decodificación**. Una menor resolución facilitará la reproducción en sistemas con recursos limitados. Asimismo, es posible aumentar este valor nuevamente antes de la entrega para obtener una mejor calidad.

A continuación, se pueden configurar los ajustes de la cámara para los clips, por ejemplo, la saturación, el contraste y los tonos intermedios. Esto afectará a todos los clips en el proyecto que se han configurado con la opción **Proyecto** en el menú **Modo**.

Etalonar los clips en el módulo Color

Una vez que los clips se encuentran en la línea de tiempo y se han agregado los títulos, es posible etalonarlos mediante el módulo Color, cuyas herramientas avanzadas permiten definir el estilo general del proyecto. Para este ejemplo, un buen punto de partida es neutralizar los clips a fin de luzcan consistentes. Por otro lado, es posible regresar a los módulos Montaje o Edición en cualquier momento, en caso de que sea necesario hacer cambios.

El módulo Color brinda la posibilidad de ajustar el estilo del material grabado y, de alguna manera, el etalonaje es un arte en sí, puesto que la corrección cromática añade emoción a las imágenes. Es una etapa realmente creativa de la dinámica de trabajo y muy satisfactoria cuando se tienen las habilidades para poder dar vida a los proyectos. Este es normalmente el primer paso y se denomina «correcciones primarias» o «ajustes primarios». Una vez hecho esto, es el turno de las correcciones secundarias, mediante las que se pueden realizar ajustes extremadamente precisos de objetos específicos en las imágenes. Esta parte es muy divertida, y la razón por la que en general se realiza en un segundo paso es porque de este modo el proceso es más eficiente, obteniendo así mejores resultados.

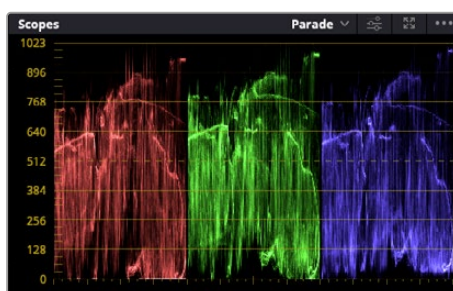
Para comenzar, haga clic en el módulo Color a fin de acceder a las opciones de etalonaje.

Podrá ver los ajustes RAW de la cámara, los círculos cromáticos, el panel de curvas y las herramientas para correcciones generales, así como los paneles de nodos y vista previa. No se sienta abrumado por la enorme cantidad de funciones que aparecen en la interfaz. Estas han sido diseñadas para ayudarle a lograr que las imágenes tengan una apariencia extraordinaria. Esta sección introductoria brinda información básica, pero para obtener pasos más detallados, consulte los apartados correspondientes. El manual de DaVinci Resolve incluye una descripción de las distintas herramientas y muestra cómo utilizarlas de manera sencilla. Aprenderá las mismas técnicas que los profesionales emplean en los mejores estudios de posproducción.

En general, el primer paso en una corrección primaria es optimizar los niveles de las sombras, los tonos intermedios y las zonas luminosas en los clips. Esto se logra ajustando los parámetros **Lift**, **Gamma** y **Gain**. De este modo, se obtienen imágenes excepcionalmente nítidas y balanceadas que sirven como punto de partida para comenzar a crear la apariencia de la película. Asimismo, resulta muy útil guiarse por las representaciones gráficas.

Representaciones gráficas

La mayoría de los coloristas toman decisiones creativas sobre el color con base en la apariencia y la carga emotiva que desean transmitir, y luego emplean un monitor para lograr el resultado deseado. Observar objetos de uso cotidiano y analizar la interacción entre diferentes tipos de luz puede servir de inspiración para sacarle mayor provecho a las imágenes.



La gráfica de componentes cromáticos permite ajustar con precisión las luces, los tonos intermedios y las sombras.

De manera alternativa, es posible recurrir a las representaciones gráficas que ofrece DaVinci Resolve para etalonar el material grabado. Para acceder a las mismas, haga clic en el penúltimo botón de la barra de herramientas del panel. Es posible seleccionar entre cuatro tipos de representaciones: forma de onda, gráfica de componentes cromáticos, vectorscopio, histograma u otros aspectos del espectro cromático. Estos indicadores permiten monitorizar el balance tonal y comprobar los niveles de contraste para evitar oscurecer demasiado las sombras o perder detalles en las zonas más claras de la imagen. Asimismo, brindan la posibilidad de detectar cualquier dominante cromática.

En forma predeterminada, el panel de círculos cromáticos muestra los controles **Lift**, **Gamma** y **Gain** como barras. Estos generalmente se emplean en las correcciones primarias y se asemejan a los controles que ofrecen otras aplicaciones para realizar ajustes cromáticos y de contraste.



Los círculos cromáticos permiten controlar con precisión el balance de colores y tonos en los distintos clips. Para ajustar cada área tonal de forma similar, mueva el dial situado debajo de estos hacia la izquierda o la derecha



Las barras de ajustes primarios facilitan las modificaciones cromáticas mediante un mouse.

A fin de lograr un control más preciso de cada color al utilizar el mouse, es posible reemplazar los círculos cromáticos por barras que permiten realizar ajustes en cada canal independientemente para las luces, los tonos intermedios y las sombras. Para ello, basta con seleccionar la opción **Barras de ajustes primarios** en el menú desplegable que aparece cerca de la esquina superior derecha del panel.

Ajuste de sombras

Una vez seleccionado un clip en la línea de tiempo, haga clic en el dial situado debajo del primer círculo cromático. Muévelo hacia la derecha o la izquierda y preste atención a los cambios en la imagen. Podrá observar cómo aumenta y disminuye el brillo en las zonas oscuras.

Ajuste este parámetro según el tono que mejor se adapte a los requerimientos del proyecto. Si disminuye demasiado este parámetro, perderá detalles en las sombras. En cualquier caso, puede utilizar la gráfica de componentes cromáticos para evitar este inconveniente. La posición ideal para las sombras en la representación de la señal es justo por encima de la línea inferior.

Ajuste de luces

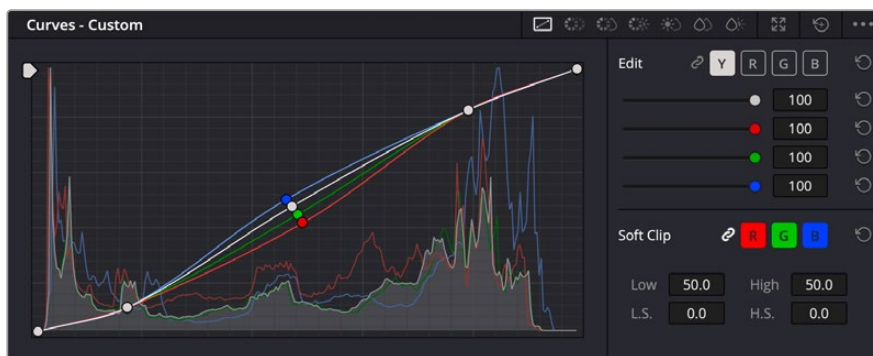
Haga clic en el dial situado debajo del segundo círculo cromático y muévalo hacia la derecha o la izquierda. Esto permite ajustar las zonas más claras de la imagen, que se muestran en la parte superior de la gráfica de componentes cromáticos. Para lograr un mayor brillo, las luces deben situarse justo por debajo de la línea superior de la gráfica. Si superan este límite, se perderán detalles.

Ajuste de tonos intermedios

Haga clic en el dial situado debajo del tercer círculo cromático y muévalo hacia la derecha o la izquierda. A medida que aumenta la intensidad, notará que el brillo de la imagen se incrementa. Asimismo, podrá ver que la parte central de la onda cambia al realizar los ajustes. Esta franja representa los tonos intermedios del clip y su posición óptima generalmente se encuentra entre el 50 y 70 % en la representación gráfica correspondiente a la onda de la señal. No obstante, este valor puede ser subjetivo según la apariencia deseada y las condiciones de iluminación al grabar el clip.

El panel de curvas también permite realizar correcciones primarias. Basta con hacer clic en los puntos de control de las líneas diagonales en las gráficas y moverlos hacia arriba o abajo para modificar el contraste general de los canales cromáticos en diferentes áreas tonales de la imagen. Es importante ajustar los puntos situados en el tercio superior, medio e inferior de la curva.

Consulte el manual de DaVinci Resolve para obtener más información.



El panel **Curvas** permite realizar correcciones primarias o realzar áreas específicas de la imagen mediante Power Windows.

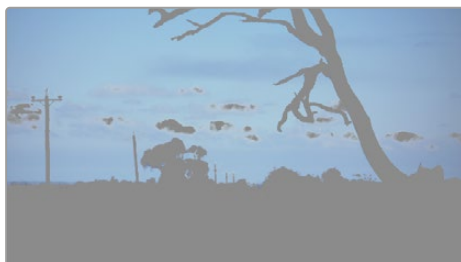
Correcciones secundarias

Para modificar una parte específica de una imagen, es preciso aplicar correcciones secundarias. Los ajustes realizados hasta el momento mediante los círculos cromáticos y sus respectivos controles afectan a la totalidad de la imagen y se denominan correcciones primarias.

Sin embargo, las correcciones secundarias son ideales para llevar a cabo cambios en zonas específicas, por ejemplo, a fin de realzar el color del césped o del cielo en una escena. Estas brindan la posibilidad de seleccionar una parte de la imagen y modificarla sin afectar al resto. A su vez, la estructura nodal facilita el agrupamiento de varias correcciones con el objetivo de continuar ajustando zonas específicas hasta lograr el resultado deseado. Incluso es posible emplear tanto Power Windows como la función de seguimiento para aplicar cambios a objetos en movimiento.

Ajuste de colores específicos

Con frecuencia, es preciso realzar un elemento en particular dentro de la imagen, por ejemplo, el césped al borde de una carretera o el color azul del cielo, o podría ser necesario modificar la tonalidad de un objeto específico para captar la atención del espectador. La herramienta **Colores específicos** permite cumplir con este cometido de manera sencilla.



La herramienta **Colores específicos** facilita el realce de ciertas zonas de la imagen y permite intensificar el contraste o dirigir la atención del espectador hacia determinados elementos.

Para ajustar un color específico:

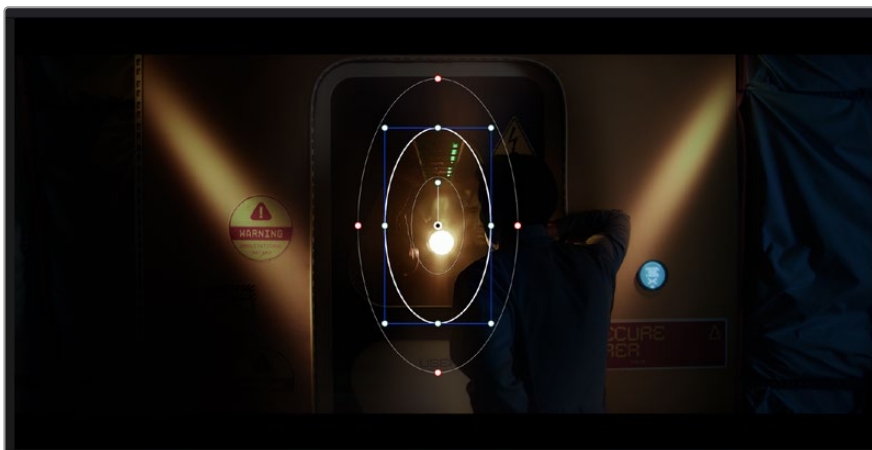
- 1 Añada un nodo en serie.
- 2 Abra el panel **Colores específicos** y compruebe que el selector esté activado.
- 3 Haga clic sobre el color que desea modificar.
- 4 Por lo general, deberá realizar algunos ajustes para atenuar los bordes del área seleccionada y limitarla únicamente al color deseado. Haga clic en la opción **Destacar** situada arriba del visor para ver la sección demarcada.
- 5 Mueva el control **Ancho** de los matices para ampliar o reducir el área seleccionada.

Ajuste los controles **Mínimo**, **Máximo** y **Atenuar** para ver las distintas maneras en las que es posible mejorar el área seleccionada. A continuación, es posible modificar el color elegido mediante los círculos cromáticos o el panel de curvas.

En algunos casos, los cambios podrían extenderse a ciertas zonas de la imagen que no se desean afectar. Para solucionar este inconveniente, se crea una Power Window a fin de aislar dichas partes. Basta con indicar sus dimensiones de manera que solo incluya el área cromática requerida. Si la región seleccionada se mueve en la imagen, es posible utilizar la función de seguimiento del programa para que los cambios se mantengan sin importar su posición.

Agregar una Power Window

Esta es una herramienta de etalonaje sumamente útil que permite aislar zonas específicas de la imagen. Dichas regiones pueden ser móviles o estáticas, ya que también es posible seguir el movimiento de la cámara y los objetos.



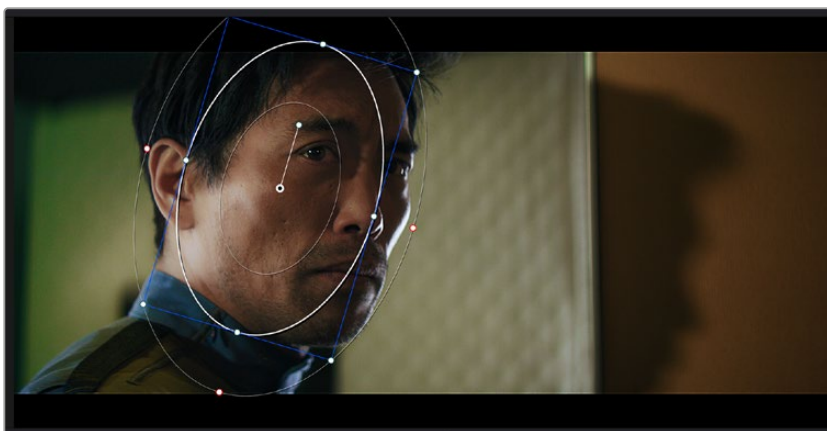
Las Power Windows permiten aislar zonas de la imagen que no deben verse afectadas por los ajustes realizados mediante la función **Colores específicos (HSL)**.

Por ejemplo, es posible trazar un contorno alrededor de una persona para realizar cambios en el color y el contraste solamente en dicha parte de la imagen, sin afectar las zonas adyacentes. Este tipo de ajustes pueden servir para dirigir la atención del espectador hacia regiones específicas.

Para agregar una Power Window:

- 1 Añada un nodo en serie.
- 2 Abra el panel **Power Windows** y seleccione una forma de las formas disponibles. Esta se verá en el nodo.
- 3 Para ajustar el tamaño, haga clic sobre los puntos azules y arrástrelos según sea necesario. Los puntos rojos permiten atenuar los bordes. Para ajustar la posición de la ventana, haga clic en el punto central y muévala hacia la parte de la imagen que desea aislar. También es posible girarla mediante el punto unido al centro.

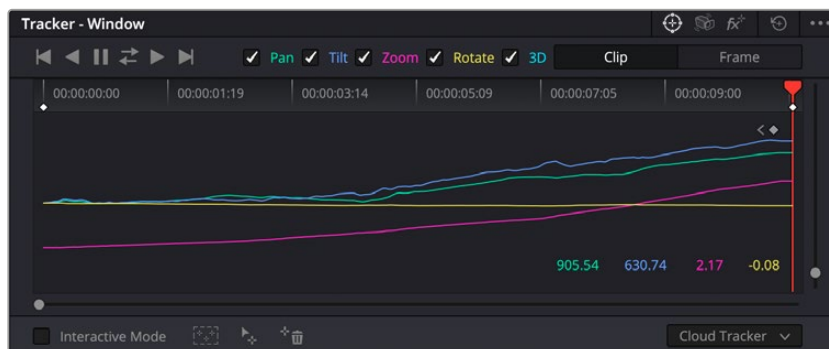
Ahora puede ajustar el color únicamente en el área seleccionada.



La herramienta Power Windows permite llevar a cabo correcciones secundarias en partes específicas de una imagen.

Seguimiento de una Power Window

Es posible que la cámara, el objeto o el área seleccionada dentro de una imagen esté en movimiento. Por consiguiente, es preciso utilizar la función de seguimiento que ofrece DaVinci Resolve para garantizar que la viñeta permanezca vinculada al elemento delimitado. Esta herramienta analiza la inclinación y el desplazamiento horizontal o vertical de la cámara o del objeto en la imagen para sincronizar la viñeta con el movimiento. Si no se activa esta función, cabe la posibilidad de que las correcciones realizadas se separen del elemento al que se aplicaron, distrayendo al espectador.



Es posible seguir ciertos objetos o partes de la imagen para las correcciones realizadas permanezcan vinculadas a estos.

Para realizar el seguimiento de una Power Window:

- 1 Añada un nodo en serie y luego, una Power Window.

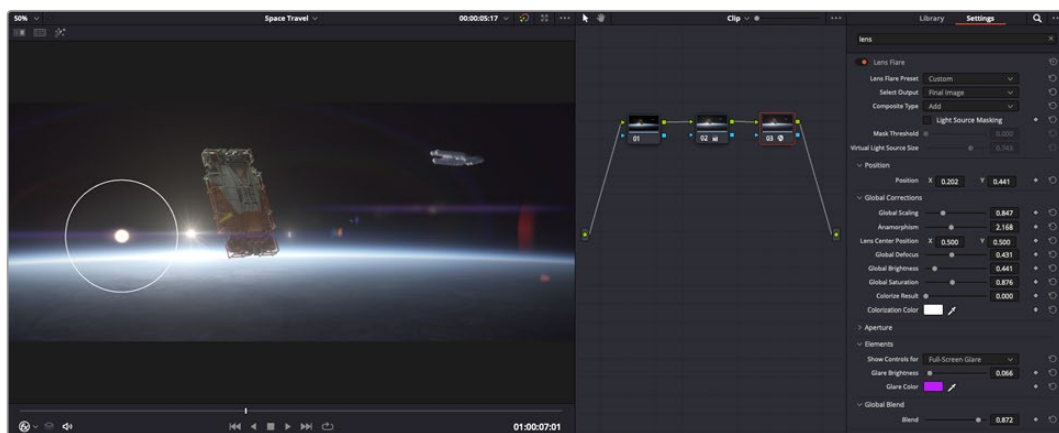
- 2 Al comienzo del clip, ajuste la posición y el tamaño de la viñeta para destacar únicamente el objeto deseado o una zona particular de la imagen.
- 3 Abra el panel **Seguimiento**. Marque las casillas **Eje X**, **Eje Y**, **Zoom**, **Rotación** o **3D** según el patrón de movimiento.
- 4 Haga clic en la flecha de avance situada a la izquierda de las casillas de verificación. A continuación, aparecerán una serie de puntos en la imagen, y el programa reproducirá los fotogramas restantes para analizar el movimiento. Una vez configurada esta función, la viñeta seguirá la trayectoria del movimiento.

En la mayoría de los casos, el seguimiento automático ofrece buenos resultados. Sin embargo, en escenas complejas, es posible que algún objeto se atraviese en el área seleccionada e interrumpa o afecte su funcionamiento. Este inconveniente puede resolverse mediante el editor de fotogramas clave. Consulte el manual de DaVinci Resolve para obtener más información al respecto.

Uso de complementos

Al realizar correcciones secundarias, también es posible agregar complementos OpenFX o ResolveFX para crear apariencias interesantes en el módulo Color o efectos y transiciones innovadoras en el módulo Edición. Estos últimos están integrados en el programa, mientras que los primeros pueden adquirirse o descargarse a través de distribuidores externos.

Una vez instalado un conjunto de complementos, es posible acceder a ellos desde el módulo Color, abriendo el panel **OpenFX** a la derecha del editor de nodos. Basta con crear un nodo en serie y luego arrastrar el complemento hacia el mismo. Modifique los parámetros en el panel adyacente si el complemento brinda esta posibilidad.



Los complementos OFX son una herramienta rápida y sencilla para crear apariencias interesantes e innovadoras.

En el módulo Edición, es posible agregar transiciones, filtros y generadores de complementos a los clips abriendo el panel **OpenFX** en la biblioteca de efectos y arrastrando el elemento seleccionado al clip en la línea de tiempo, según los requisitos del complemento.

Mezcla de audio en el módulo Edición

Una vez editado y etalonado el proyecto, es posible comenzar a mezclar el sonido. En este sentido, DaVinci Resolve cuenta con un excelente conjunto de funciones para editar, mezclar y masterizar el audio de un proyecto directamente desde el módulo Edición. Conviene subrayar que el módulo Fairlight ofrece un entorno completo de posproducción de audio para proyectos que requieren herramientas más avanzadas. Consulte el siguiente apartado si ya está familiarizado con el módulo Edición y desea saber más sobre dichas prestaciones.

Agregar pistas de audio

Desde el módulo Edición, es posible agregar fácilmente pistas de audio para crear una mezcla compleja con música y efectos sonoros. Esto puede resultar útil a la hora de separar los elementos del audio en pistas individuales, tales como voz, música y efectos.

Para añadir una pista de audio en el módulo Edición

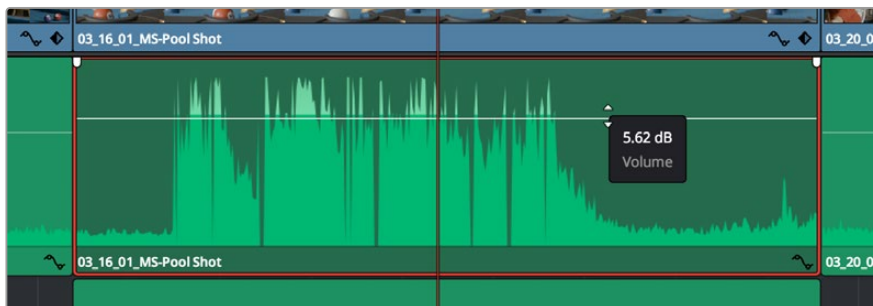
Haga clic con el botón derecho junto al nombre de cualquier pista de audio en la línea de tiempo, seleccione **Agregar pista** y elija una de las opciones disponibles. De esta forma, se añadirá una pista al final de la lista. Asimismo, es posible agregar pistas en un punto específico. Para ello, elija la opción **Agregar pista** y seleccione el lugar deseado.

La nueva pista de audio aparecerá en la línea de tiempo.

SUGERENCIA: Para cambiar el tipo de pista una vez creada, haga clic con el botón derecho junto a su nombre, seleccione **Cambiar tipo de pista** y elija una de las opciones disponibles, por ejemplo, estéreo, mono o 5.1.

Ajuste del volumen en la línea de tiempo

Cada clip de audio en la línea de tiempo incluye un control de volumen superpuesto que permite ajustar su intensidad arrastrando el puntero hacia arriba o abajo. Este corresponde al parámetro **Volumen** del inspector.



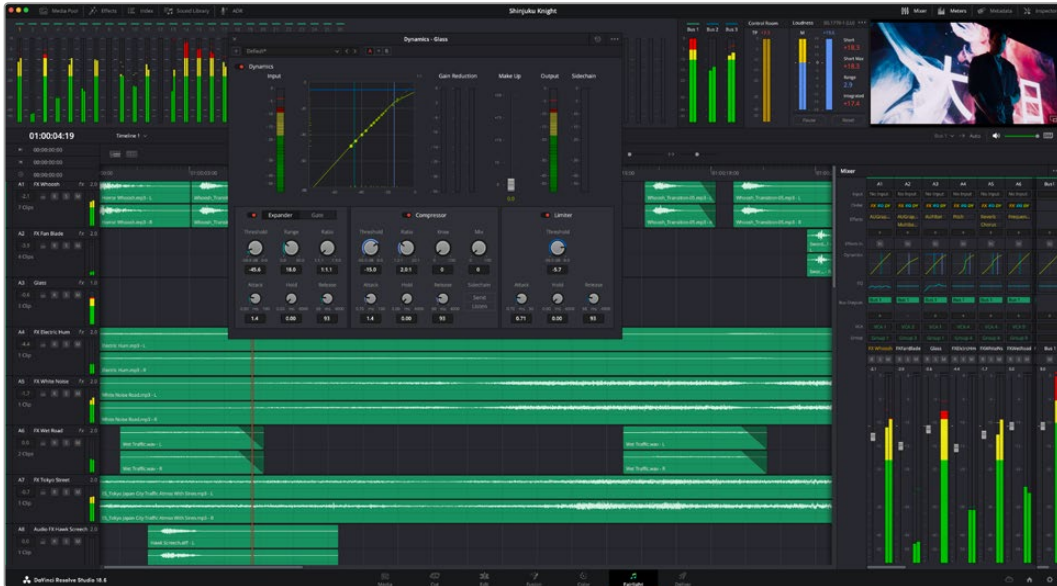
Arrastre el control para ajustar el volumen del clip.

Conviene subrayar que el módulo Fairlight ofrece un entorno completo de posproducción de audio para proyectos que requieren herramientas más avanzadas.

El módulo Fairlight

Este módulo de DaVinci Resolve brinda la posibilidad de ajustar el audio. En una sola pantalla, ofrece una vista optimizada de las pistas de audio y controles de monitorización personalizados que permiten evaluar y ajustar la intensidad del audio con el objetivo de crear una mezcla armoniosa.

Este módulo presenta una amplia variedad de funciones que le ayudarán a conseguir una calidad excepcional en materia de sonido.



Esta guía solo proporciona un resumen básico de las funciones. Consulte el manual de DaVinci Resolve para obtener más información al respecto, ya que es más específico y proporciona detalles sobre cada una de ellas. Además, describe cómo hacer uso de estas herramientas en simples pasos.

Línea de tiempo del audio

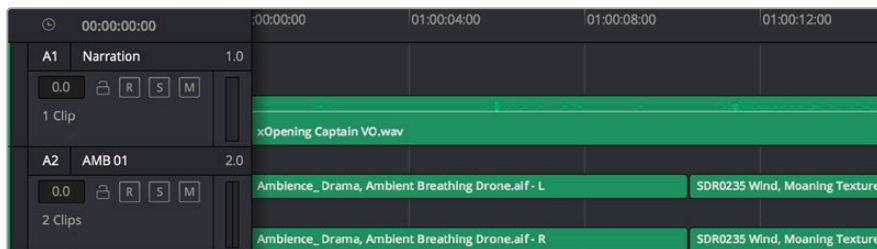
Esta línea de tiempo muestra los canales y las pistas de audio de la línea de tiempo seleccionada (un canal por pista). Dicha organización facilita la mezcla y la mejora del sonido.

Encabezado de la pista

En la parte izquierda de cada pista hay un encabezado que muestra su número, nombre y color, así como los canales de audio y los valores para el atenuador y los vúmetros. Además, presenta distintos controles para bloquear y desbloquear pistas, aislarlas o silenciarlas. Estos facilitan la organización de las pistas y su visualización individual.

Pistas

En el módulo Fairlight, cada pista está dividida en bandas para cada canal individual que permiten editarlos y mezclarlos. Por el contrario, en el módulo Edición se muestra un solo clip en la línea de tiempo. Esto brinda la posibilidad de editar archivos de audio con múltiples canales de manera más fácil, sin tener que gestionar una gran cantidad de pistas.



En el encabezado de la pista A1, se puede apreciar que es monoaural, mientras que las dos bandas de la pista A2 indican que es estereofónica.

¿Qué es un bus?

Básicamente, un bus es un canal compuesto por fuentes de audio agrupadas, con el objetivo de mezclarlas en una sola señal y controlarlas de forma colectiva. Fairlight crea automáticamente un bus con todas las pistas de audio en la línea de tiempo, lo que significa que es posible modificar el nivel general del audio de la mezcla una vez ajustado el de cada pista individualmente.

En caso de que la edición sea más compleja, se pueden crear más buses y combinar varias pistas de una misma categoría, por ejemplo, diálogo, música o efectos, con el objetivo de obtener una sola señal. A modo ilustrativo, si tenemos cinco pistas de diálogo, es posible asignarlas a un bus separado para ajustar el volumen general de la voz mediante un solo conjunto de controles.

La estructura Flexbus de Fairlight proporciona una flexibilidad absoluta sobre los tipos de buses y el direccionamiento de señales, inclusive de un bus a otro, de una pista a un bus o de un bus a una pista. Consulte el apartado correspondiente en el manual de DaVinci Resolve para obtener más información al respecto.

Herramientas de mezcla

Cada una de las pistas en la línea de tiempo corresponden a un canal individual en la interfaz del programa. Por defecto, en la parte derecha aparece un solo canal, denominado M1, que representa el bus maestro. Asimismo, se muestran canales adicionales con diversos mandos para cada uno de los buses creados. Los controles gráficos permiten asignar pistas a los canales de salida y ajustar el ecualizador, la dinámica o el volumen, así como grabar procesos automáticos, distribuir el sonido envolvente o aislar y silenciar pistas.

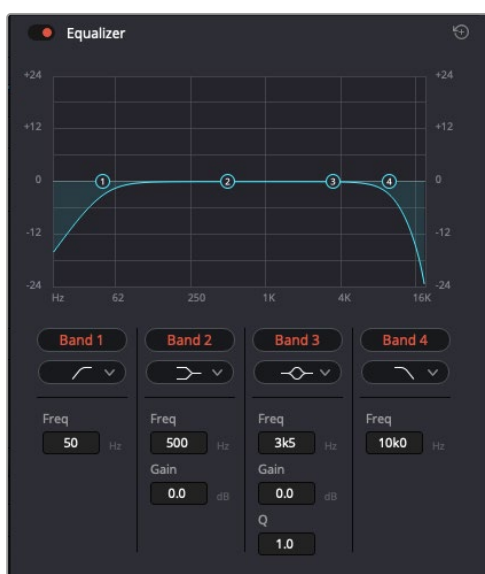


Interfaz para la mezcla de audio con los canales correspondientes a las pistas en la línea de tiempo

Uso del ecualizador para mejorar el audio

Una vez ajustada la intensidad del volumen en los clips del proyecto, es posible que aún sea necesario realizar ajustes más sutiles. Por ejemplo, el diálogo, la música y los efectos podrían tener la misma frecuencia dentro del espectro sonoro, provocando que el audio resulte ruidoso y poco claro. En estos casos, el ecualizador será de gran ayuda, dado que permite determinar qué partes del espectro ocupa cada pista. Por otra parte, brinda la posibilidad de eliminar elementos no deseados aislando o reduciendo el volumen en ciertas frecuencias que contienen murmullos, zumbidos o ruidos de fondo, o simplemente mejorar la calidad general del audio para que resulte más agradable al oído.

DaVinci Resolve ofrece filtros de ecualización que pueden aplicarse a cada clip individualmente o a todas las pistas. Para cada clip, hay un ecualizador de cuatro bandas en el inspector, mientras que para las pistas se brinda un ecualizador paramétrico de seis bandas. Los controles gráficos y numéricos para aumentar o disminuir diferentes rangos de frecuencias y los distintos tipos de filtros permiten definir la forma de la curva de ecualización.



El ecualizador de cuatro bandas puede aplicarse a cualquier clip en la línea de tiempo.

Por su parte, las bandas externas permiten realizar ajustes para el realce de graves o agudos y utilizar filtros de paso alto o bajo. Un filtro de paso afecta a todas las frecuencias superiores o inferiores a una frecuencia determinada, eliminándolas por completo de la señal. Por ejemplo, un filtro de paso alto elimina las frecuencias bajas y mantiene las altas. Cualquier sonido por debajo de la frecuencia de corte se atenuará de forma gradual.

Un filtro de realce es menos drástico y permite modificar el rango superior o inferior de la señal en general sin eliminar por completo dichas frecuencias. Este aumenta o disminuye la frecuencia de corte, así como aquellas superiores o inferiores, de manera uniforme, según el tipo de filtro empleado.

Los controles intermedios brindan la posibilidad de realizar una amplia variedad de ajustes en la ecualización y ofrecen diversos tipos de filtros.

Filtros resonantes

Estos filtros realzan o eliminan las frecuencias alrededor de un punto central de una curva de ecualización en forma de campana.

Filtros de rechazo

Estos filtros afectan a un rango de frecuencias muy específico, por lo que resultan muy útiles, por ejemplo, para eliminar el zumbido provocado por la red de suministro eléctrico a 50 o 60 Hz.

Filtros de realce de graves

Estos filtros realzan o atenúan todas las frecuencias inferiores a la frecuencia de corte.

Filtros de realce de agudos

Estos filtros realzan o atenúan todas las frecuencias superiores a la frecuencia de corte.

Para añadir un ecualizador a un clip:

- 1 Seleccione el clip en la línea de tiempo.
- 2 Haga clic en el inspector y luego en el botón **Ecualizador**.

Para añadir un ecualizador a una pista:

- 1 Haga doble clic sobre el área de ecualización de una de las pistas para abrir el ecualizador respectivo.
- 2 Seleccione el filtro en el menú desplegable para la banda que desea ajustar.



El panel indica que el ecualizador se ha aplicado a la pista 1.



Ecualizador paramétrico de 6 bandas que puede aplicarse a cada pista

Una vez añadidos los ecualizadores, es posible ajustar cada banda. Nótese que los controles variarán según el filtro escogido.

Para ajustar el ecualizador de un filtro de banda:

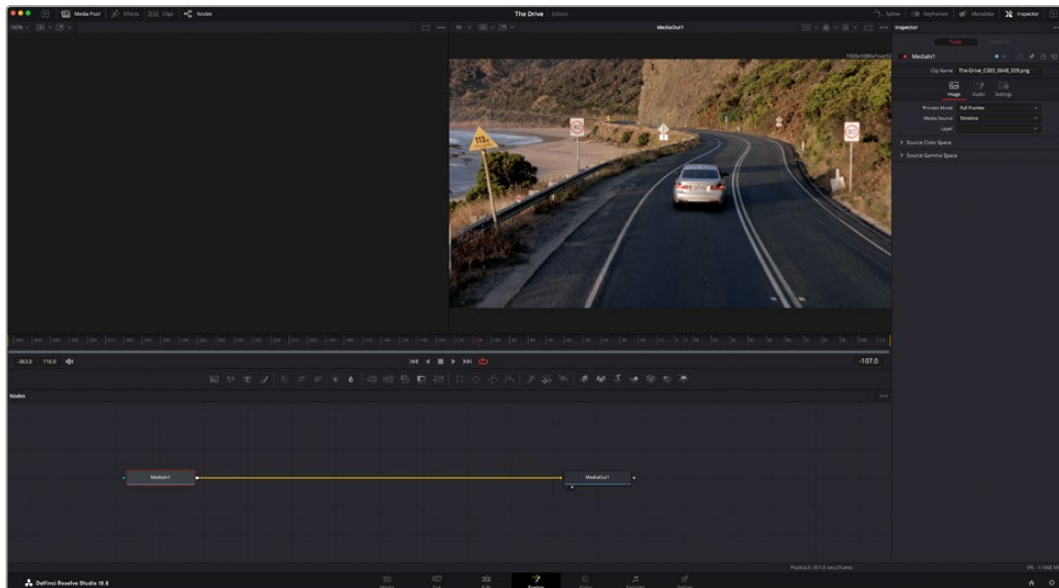
- 1 Seleccione el filtro en el menú desplegable para la banda que desea ajustar.
- 2 Ajuste la frecuencia para determinar el punto correspondiente en la curva de ecualización.
- 3 Ajuste la ganancia para realzar o atenuar las frecuencias que predominan en dicha banda.
- 4 Ajuste el factor Q para modificar el intervalo de las frecuencias afectadas.

El botón para restablecer ajustes permite restaurar los valores predeterminados.

El módulo Fairlight cuenta con una gran variedad de controles que brindan la posibilidad de mejorar la calidad de cada pista. Asimismo, permite añadir otras adicionales, organizar buses, agregar efectos y optimizar el audio en general.

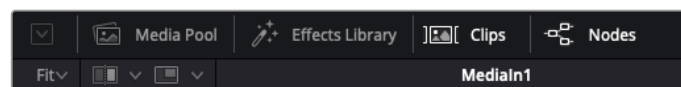
Efectos visuales y composiciones en el módulo Fusion

Una vez finalizada la edición, es posible acceder al módulo Fusion de DaVinci Resolve para añadir efectos visuales y animaciones gráficas. A diferencia de otros programas de composición digital que utilizan capas, Fusion ofrece una dinámica de trabajo basada en nodos, lo cual brinda una mayor flexibilidad para crear efectos complejos y modificar los datos de la imagen. A su vez, dicha estructura nodal muestra claramente las herramientas empleadas durante el proceso y funciona de manera similar a la del módulo Color.



El módulo Fusion

Este módulo incluye dos visores en la parte superior con controles de reproducción que permiten ver contenidos. A la derecha, se encuentra el inspector, con diversas herramientas, y en la parte inferior, el editor de nodos, donde se crean las composiciones. Aunque los visores y los controles de reproducción permanecen siempre visibles, los íconos de la barra de herramientas en la parte superior de la interfaz brindan la posibilidad de ocultar el inspector y el editor de nodos o acceder a la biblioteca de efectos y el editor de fotogramas clave.



Panel multimedia

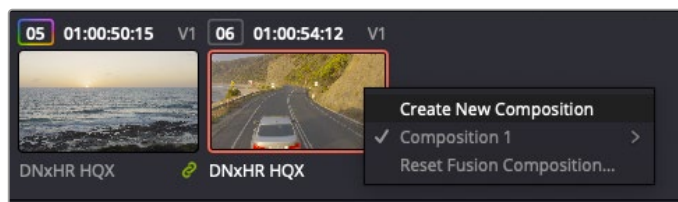
Funciona de la misma manera que en el módulo Edición. Basta con arrastrar los archivos directamente de las carpetas a la composición.

Biblioteca de efectos

Aquí es donde se encuentran las distintas plantillas y herramientas organizadas por categorías, incluidos filtros, generadores de partículas y funciones de seguimiento. Haga clic en cualquiera de ellas o arrástrela a la estructura nodal para añadirla a la composición. Cabe mencionar que el panel multimedia y la biblioteca de efectos ocupan el mismo espacio de la interfaz, de manera que es posible alternar entre ambos para maximizar el tamaño de los visores.

Clips

Al hacer clic en esta pestaña, se muestra una serie de miniaturas que corresponden a los clips en la línea de tiempo. Estas se encuentran debajo del editor de nodos y permiten acceder inmediatamente a cualquier secuencia.



Para crear una nueva versión de la composición, haga clic con el botón derecho en una miniatura y seleccione la opción **Crear composición**.

Visores

Los visores permanecen siempre visibles y muestran los distintos modos de la composición, por ejemplo, una perspectiva general en 3D, la señal de la cámara o la renderización final. Asimismo, brindan la posibilidad de ver la forma en que los cambios realizados afectan a un elemento específico.

Es posible elegir el nodo que se desea ver haciendo clic sobre este y presionando **1** para el visor izquierdo o **2** para el derecho. Aparecerá un botón con un punto blanco debajo del nodo que indica el visor asignado. También es posible asignar un monitor externo.

SUGERENCIA: También es posible asignar un nodo a un visor arrastrándolo al mismo.

Los controles de reproducción situados debajo de los visores permiten ir al principio o el final de una secuencia, reproducirla o detener la reproducción. La escala de tiempo muestra el intervalo de un clip, con marcas amarillas que representan los puntos de entrada y salida.



Las marcas amarillas en la escala de tiempo representan los puntos de entrada y salida en un clip. Al emplear un clip Fusion o compuesto, la escala solo muestra su duración como en la línea de tiempo, sin tener en cuenta los márgenes de edición.

Nodos

El editor de nodos es el elemento principal del módulo Fusion, ya que permite conectarlos entre sí para crear la estructura nodal. Su tamaño depende de los editores abiertos, por ejemplo, el de curvas paramétricas o el de fotogramas clave. A su vez, la barra de herramientas en la parte superior ofrece un rápido acceso a las funciones más utilizadas.

Curvas paramétricas

El editor de curvas paramétricas se abre a la derecha del editor de nodos y permite realizar ajustes con mayor precisión, por ejemplo, atenuar una animación entre dos fotogramas clave mediante una curva de Bézier.

Fotogramas clave

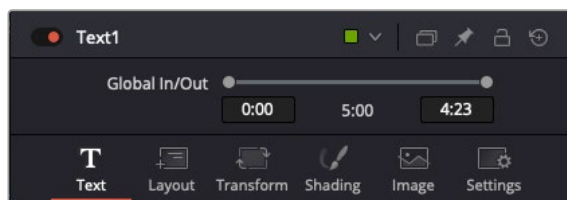
Este editor permite añadir, eliminar o modificar fotogramas clave en cada herramienta y se encuentra a la derecha del editor de nodos.

Metadatos

El panel de metadatos muestra información del clip seleccionado, incluidos el códec, la frecuencia de imagen y el código de tiempo.

Inspector

Este panel se encuentra en la esquina superior derecha de la interfaz e incluye todos los ajustes disponibles para los nodos seleccionados. Cada pestaña ofrece un rápido acceso a parámetros adicionales ordenados por categorías.

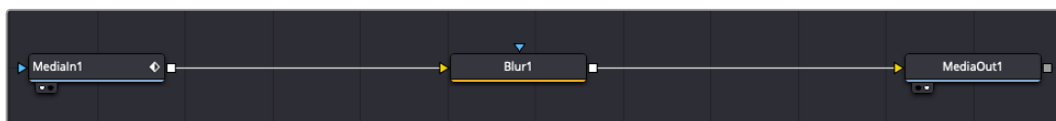


El nodo de texto brinda ajustes adicionales en el inspector.

Primeros pasos en Fusion

Para comenzar, simplemente sitúe el cabezal de reproducción sobre cualquier clip en la línea de tiempo y haga clic en el módulo Fusion.

Dicho clip aparecerá representado por un nodo denominado *MediaIn*. Cada una de las composiciones comenzará con este nodo y finalizará con otro llamado *MediaOut*. El primero representa el clip ubicado en la posición del cabezal sobre la pista superior de la línea de tiempo, sin considerar los que haya debajo. Además, incluye los ajustes realizados al mismo en el módulo Edición.



El contenido del nodo *MediaOut* se transfiere a la línea de tiempo del módulo Edición.

SUGERENCIA: En el módulo Fusion no se muestran los complementos OpenFX o ResolveFX aplicados a los clips en el módulo Montaje o Edición. Esto se debe a que los efectos visuales se crean antes del etalonaje y el procesamiento posterior del material. Para que los complementos OpenFX se apliquen de manera previa a los efectos, haga clic con el botón derecho en el módulo Edición y seleccione **Crear clip Fusion** antes de acceder al módulo Fusion.

¿Cómo funcionan los nodos?

Puede resultar útil pensar en los nodos como íconos que representan una herramienta o efecto determinado. Estos se conectan entre sí para crear la composición general, al igual que los ingredientes de una receta. Asimismo, es importante entender el funcionamiento de la entrada y la salida de cada nodo, a fin de facilitar la dinámica de la composición al generar efectos visuales detallados.

Algunos nodos cuentan con múltiples entradas y salidas que pueden conectarse a otros. Por ejemplo, el nodo de combinación incluye una entrada para la imagen en primer plano, otra para el fondo y una tercera para máscaras.

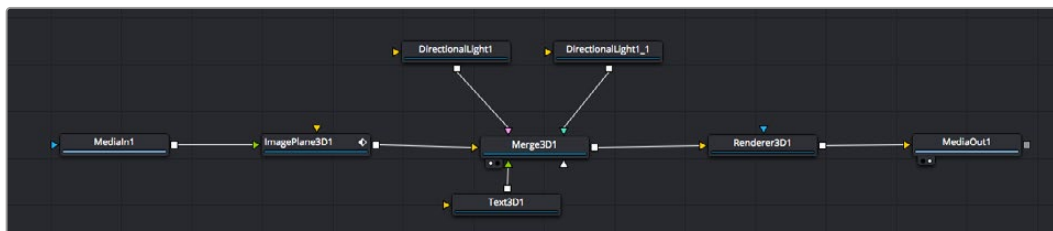


Un nodo con múltiples salidas brinda la posibilidad de conectarlo a varios nodos, de manera que no hay necesidad de duplicar clips como en los programas de composición digital basados en capas. Las flechas en las líneas que conectan los nodos son un indicador visual muy útil con respecto a la dirección del flujo de datos.

Agregar nodos al editor

Agregar efectos es tan simple como colocarlos entre los nodos *MediaIn* y *MediaOut*.

Existen distintas maneras de hacerlo. Por ejemplo, es posible mantener presionada la tecla **Shift**, arrastrar el nodo y soltarlo entre otros dos, o hacer clic donde se desea agregar un efecto y seleccionar una herramienta en particular. El nuevo nodo se conectará automáticamente a la herramienta elegida. Asimismo, se pueden añadir nodos en cualquier lugar del editor y conectarlos arrastrando la salida de uno hacia la entrada de otro.



La herramienta empleada con mayor frecuencia es el nodo de combinación 2D o 3D. Este combina diversas herramientas del editor en una sola salida.

El nodo de combinación permite organizar las entradas ajustando su tamaño, posición o la manera en la que se combinan. Asimismo, es posible acceder a estos parámetros desde el inspector al seleccionar dicho nodo.

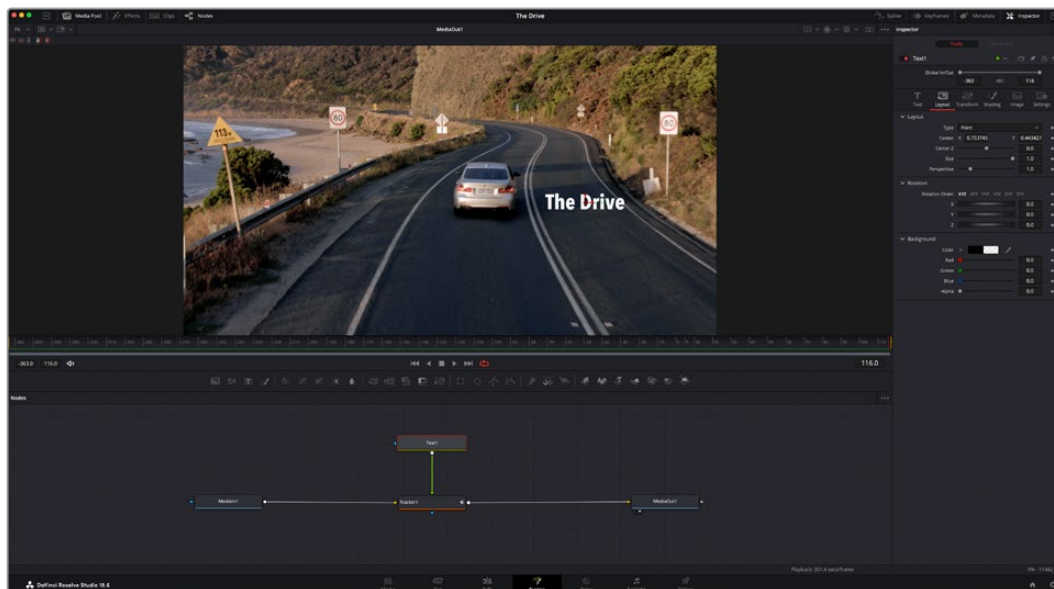
La barra de herramientas en la parte superior del editor contiene íconos que representan las funciones empleadas con mayor frecuencia. Para agregarlas a un nodo, basta con hacer clic en uno de ellos o arrastrarlo al panel. Si desea ver todas las herramientas disponibles, acceda a la **Biblioteca de efectos** en la esquina superior izquierda de la interfaz y haga clic en la opción **Herramientas**. Estas se encuentran agrupadas por categorías e incluyen plantillas de efectos para añadir destellos, sombras y fondos.

SUGERENCIA: Una vez que se familiarice con el nombre de las herramientas, mantenga presionada la tecla **Shift** y luego oprima la barra espaciadora para abrir el menú de selección. Al escribir el nombre de la herramienta, el programa sugerirá la opción más relevante. Esta es una manera muy rápida de elegir la herramienta deseada.

Ajustar nodos con el inspector

Es posible ajustar nodos mediante el panel **Inspector**. Para ello, haga clic en el nodo que desea modificar y se mostrarán las opciones y controles correspondientes.

Fusion brinda la posibilidad de ver un nodo mientras se modifica otro. Por ejemplo, es posible cambiar el tamaño y la posición del centro de un nodo *Text+* mientras se ve el contenido del nodo *Merge* en el visor, lo cual permite apreciar el texto con relación al fondo.



Los nodos seleccionados se indican con un borde rojo. En esta imagen, el panel **Inspector** muestra las opciones para el nodo de texto.

Existen varios parámetros y ajustes para cada nodo según la función que cumple, y estos incluyen desde el tamaño y la posición del centro hasta la cantidad de partículas de un nodo emisor. Asimismo, es posible animar un efecto marcando fotogramas clave y modificando los ajustes en función del tiempo.

Uso de fotogramas clave

Para añadir un fotograma clave desde el inspector, haga clic con el botón derecho en uno de los ajustes y seleccione la opción **Animar** en el menú contextual. El ícono con forma de rombo a la derecha se destaca en rojo, indicando de este modo que cualquier cambio que se realice se aplicará únicamente al fotograma seleccionado. Cuando se crean dos o más fotogramas clave ajustando los parámetros en otro distinto, se realiza una interpolación entre ambos. Las flechas situadas a ambos lados del ícono permiten mover el cabezal a la posición exacta en la línea de tiempo.



Animación atenuada mediante una curva de Bézier. Es posible hacer clic en los puntos de control para acortarla o alargarla, o en los íconos cuadrados a fin de cambiar su ubicación.

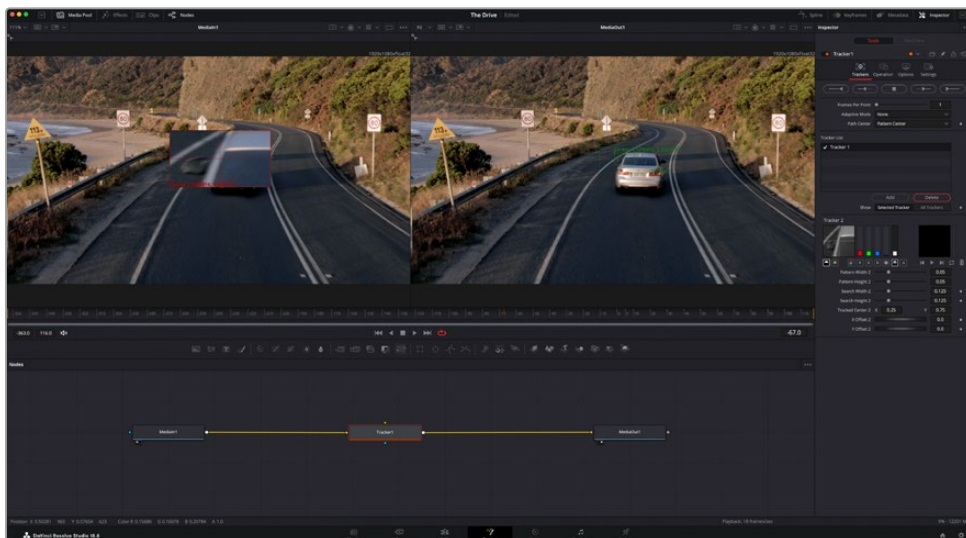
Por su parte, el panel de curvas paramétricas brinda un mayor control sobre la animación. En tal sentido, permite seleccionar fotogramas clave y atenuar la animación entre ellos mediante una curva de Bézier. Para ello, presione **Shift+S** o haga clic con el botón derecho en uno de los fotogramas y seleccione la opción **Smooth**.

Usar la función de seguimiento y agregar texto

Con el propósito de tener una mejor idea acerca de cómo emplear Fusion, hemos incluido los siguientes ejemplos que muestran el uso de la herramienta de seguimiento a efectos de rastrear un elemento, añadir texto y vincularlo a dicho objeto.

La herramienta de seguimiento rastrea el movimiento de los píxeles en función del tiempo, representando su posición con respecto a los ejes X e Y y generando información que puede asignarse a otros elementos. Esto resulta de gran utilidad cuando es necesario que la posición del texto coincida con un objeto en movimiento, como un coche desplazándose por una carretera o pájaros volando.

- 1 En la biblioteca de efectos, seleccione la opción **Tracker** dentro de la categoría **Tracking** y arrástrela a la línea que conecta los nodos *MediaIn* y *MediaOut*. A continuación, haga clic en el nodo de seguimiento para ver sus parámetros en el inspector.
- 2 Presione **1** en el teclado para ver el contenido del nodo en el visor izquierdo. Se mostrará el clip con la herramienta de seguimiento en la posición predeterminada. Coloque el puntero sobre esta para ver los marcadores. Haga clic en el punto de control situado en la esquina superior izquierda y arrastre la herramienta hasta el área deseada en la imagen. Se logran mejores resultados en zonas de alto contraste, como la insignia en el capó de un automóvil. La imagen se ampliará a fin de lograr una mayor precisión.
- 3 En el inspector, haga clic en el penúltimo botón para comenzar el seguimiento. Aparecerá una notificación cuando el procedimiento haya finalizado. Haga clic en **OK**.

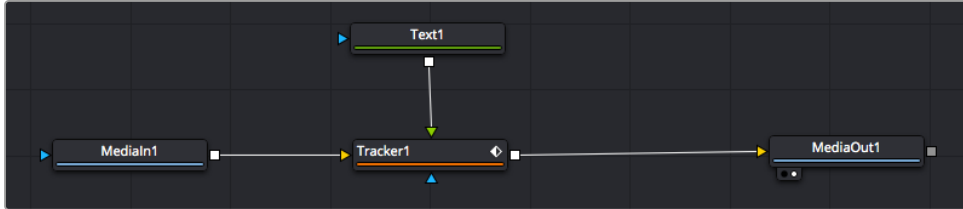


Las opciones en el inspector incluyen la posibilidad de realizar un seguimiento desde el último fotograma (o el fotograma seleccionado) hacia atrás, a partir del primer fotograma (o el fotograma seleccionado) hacia adelante, o detener el proceso.

SUGERENCIA: Las opciones para realizar un seguimiento desde el fotograma seleccionado hacia adelante o atrás son ideales en situaciones en las que el rango de renderización no comprende el área de interés en la imagen, por ejemplo, cuando un automóvil o un pájaro de desliza fuera de plano. Esto brinda la posibilidad de rastrear solamente el material relevante.

A continuación, es posible utilizar los datos del seguimiento y aplicar la trayectoria a un nodo de texto.

- Haga clic en el ícono correspondiente al nodo **Text1** en la barra de herramientas y arrástrelo al editor, cerca del nodo **Tracker1**. Conecte la salida del primero a la entrada verde del segundo.



- Para ver el resultado de esta combinación en el visor izquierdo, haga clic en el nodo de seguimiento o presione **1**. En el panel **Inspector** correspondiente al nodo **Tracker1**, haga clic en la pestaña **Operation**. En el menú junto a la opción **Operation**, seleccione **Match Move**.

- Haga clic en el nodo de texto para ver sus parámetros en el inspector. Escriba el texto en el recuadro y cambie el tipo de fuente, su color y su tamaño según la composición.

Los datos generados por la herramienta de seguimiento se aplicarán a la posición del texto. Para modificar la posición del texto, haga clic en la pestaña **Trackers** del inspector y ajuste el control **X Offset 1** o **Y Offset 1**.



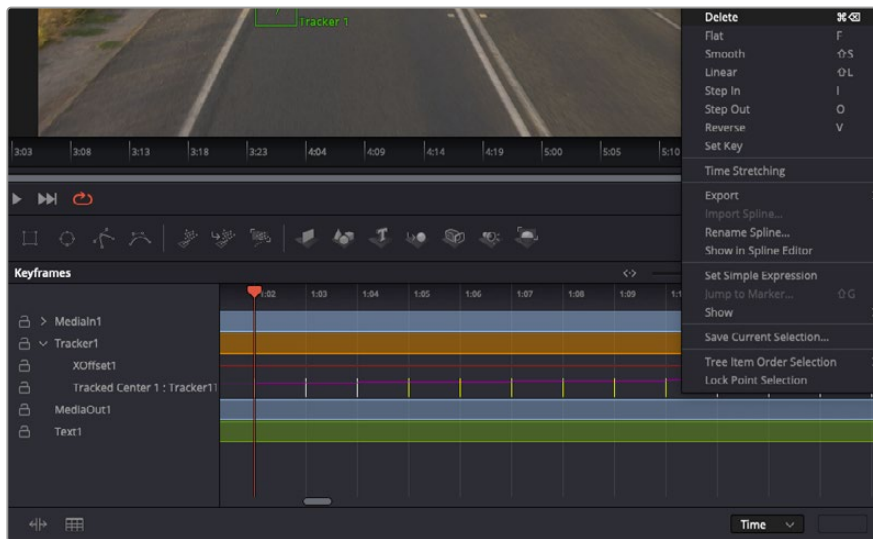
Los controles en la parte inferior del inspector permiten ajustar la posición del texto.

A continuación, observe la composición para notar cómo el texto se vincula al objeto al que se aplicó la función de seguimiento.



El rectángulo verde representa la posición actual del rastreador con respecto a la trayectoria, mientras que la línea roja punteada es la posición empleada para animar el texto.

En algunas tomas, es necesario eliminar los puntos de seguimiento una vez finalizado este procedimiento, por ejemplo, cuando el objeto desaparece del plano. Sin embargo, el editor de fotogramas clave permite hacerlo de manera sencilla.



- 7 Haga clic en la pestaña de fotogramas clave sobre el inspector para abrir el editor. Los nodos que incluyen fotogramas clave se indican con una pequeña flecha junto a su nombre, y en la lista solo aparecerán sus parámetros. Haga clic en la lupa y dibuje un recuadro alrededor del área que desea modificar. Esto permitirá ampliar dicha zona para facilitar la visualización de los fotogramas clave.
- 8 Mueva el cabezal de reproducción hasta el último fotograma que desea utilizar. A continuación, seleccione los fotogramas clave que quiera eliminar trazando un recuadro a su alrededor. Estos se destacarán de color amarillo. Haga clic con el botón derecho y seleccione la opción **Delete** en el menú emergente.

SUGERENCIA: Si los efectos consumen una gran cantidad de recursos del equipo informático, haga clic con el botón derecho sobre los controles de reproducción para acceder a opciones adicionales, como la posibilidad de reproducir las imágenes a una menor resolución, lo cual facilitará el uso del sistema mientras se crea la composición. Consulte el manual de DaVinci Resolve para obtener más información al respecto.

Ya ha completado su primera composición, animando el texto para que coincida con la trayectoria de un objeto en el material grabado.

La herramienta de seguimiento planar permite rastrear una zona de la imagen que contiene una superficie plana que se desea destacar o sustituir. En el caso de los planos bidimensionales, esto puede resultar útil para cambiar carteles y señales en una imagen en movimiento, o incluso añadir una imagen a un monitor o un televisor en el plano.

Consulte el manual de DaVinci Resolve para obtener más información al respecto.

SUGERENCIA: Al crear efectos visuales en el módulo Fusion, las herramientas de combinación serán distintas según se trate de efectos bidimensionales o tridimensionales. No obstante, a menudo se combinan ambos tipos en la misma composición. En este caso, merece la pena recordar que cualquier efecto visual generado en un espacio 3D deberá renderizarse como una imagen 2D antes de poder emplearlo en la composición bidimensional.

Esperamos que disfrute explorando los distintos efectos visuales que ofrece Fusion, junto con las extraordinarias prestaciones de los módulos Edición, Color y Fairlight. Gracias a la amplia variedad de herramientas que brinda DaVinci Resolve, su creatividad no tendrá límites.

Masterización

Ahora que el proyecto ya está editado y etalonado, y se han añadido los efectos visuales y la mezcla de audio, es el momento de compartirlo con otras personas. A tal fin, es posible usar la opción para exportarlo rápidamente o el menú de selección a fin de entregar el contenido de la línea de tiempo en un único archivo multimedia, escogiendo su formato de entre varias posibilidades, o usando las funciones adicionales del módulo Entrega.



El material editado se puede renderizar en el módulo Entrega, que permite seleccionar diversos códecs y formatos.

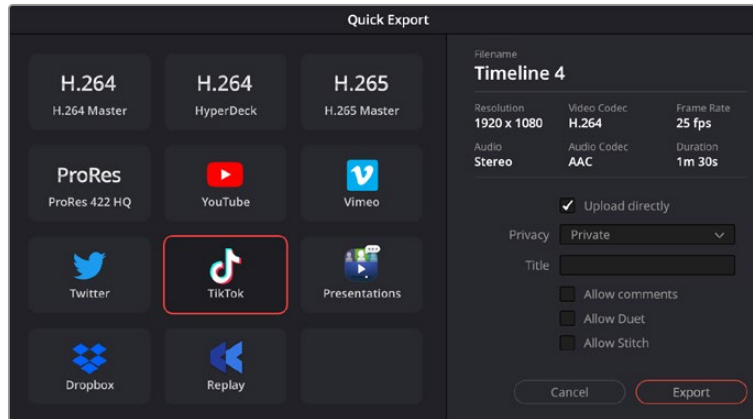
Exportación rápida

En el menú **Archivo**, seleccione la opción **Exportación rápida** a fin de emplear una de las opciones predeterminadas para exportar el proyecto desde cualquier módulo de DaVinci Resolve. Asimismo, es posible utilizar esta función para publicar el material directamente en una de las plataformas compatibles, como YouTube, Vimeo, Twitter o Frame.io.

Para utilizar la función de exportación rápida:

- 1 En los módulos Edición, Fusion o Color, marque puntos de entrada y salida en la línea de tiempo para seleccionar el intervalo que se desea exportar. En caso contrario, se exportará la línea de tiempo completa.
Seleccione la opción **Archivo** y a continuación **Exportación rápida**.
- 2 Seleccione una de las opciones predeterminadas en el cuadro de diálogo y haga clic en **Exportar**. Para subir contenidos simultáneamente a una plataforma en Internet, marque la casilla **Subir directamente** y complete los datos necesarios. Haga clic en el botón **Exportar**.
- 3 Seleccione la ubicación en el directorio, escriba el nombre del archivo en la ventana de diálogo y haga clic en **Guardar**. Aparecerá una barra que indica cuánto demorará el proceso de exportación.

NOTA: Al subir contenidos directamente a plataformas como TikTok, es posible iniciar la sesión con los datos empleados para configurar cuentas de DaVinci Resolve. Estos se encuentran en la pestaña **Sistema**, dentro de las preferencias del programa.



Suba contenidos directamente a TikTok al exportar el proyecto marcando la casilla **Subir directamente** y completando los datos necesarios.

Módulo Entrega

Este brinda la oportunidad de seleccionar los clips que desean exportar, así como el formato, el códec y la resolución. DaVinci Resolve permite utilizar diversos formatos, por ejemplo, QuickTime, AVI, MXF y DPX, empleando códecs tales como RGB/YUV sin compresión de 8 o 10 bits, ProRes, DNxHD y H.264, entre otros.

Para exportar un clip:

- 1 Haga clic en el módulo **Entrega**.
- 2 Acceda al panel **Ajustes de renderización**, situado en la parte superior izquierda. A continuación, podrá escoger una de las configuraciones predeterminadas, tales como YouTube o Vimeo, o elegir sus propios ajustes mediante la opción **Personalizado**. Por ejemplo, seleccione **YouTube**, luego haga clic sobre la flecha que aparece al costado y finalmente elija la opción **1080p** para el formato.
La frecuencia de imagen coincidirá con la del proyecto.
- 3 Debajo de las opciones predeterminadas, verá el nombre del archivo final y su ubicación. Haga clic en **Buscar** y seleccione una carpeta para guardar el archivo exportado. A continuación, seleccione la opción **Un clip** en los ajustes de renderización.
- 4 Sobre la línea de tiempo, verá un menú desplegable con la opción **Toda la línea de tiempo** seleccionada. Esto significa que se renderizará todo su contenido. Sin embargo, también es posible seleccionar una parte de la secuencia. Para ello, basta con elegir la opción **Intervalo** y luego marcar los puntos de entrada y salida mediante las teclas **I** y **O**.
- 5 En la parte inferior del panel, haga clic en el botón **Agregar a la cola de procesamiento**.
El material se agregará a la cola de procesamiento en la parte derecha del módulo. A continuación, haga clic en el botón **Renderizar** y supervise el progreso de la renderización en la lista de trabajos pendientes.

Una vez finalizado el procedimiento, abra el archivo generado para ver el producto final.

Ahora que ya cuenta con un conocimiento básico sobre cómo editar, etalonar, mezclar el audio y agregar efectos visuales, le recomendamos que pruebe distintas opciones en DaVinci Resolve. Consulte el manual del programa para obtener más información acerca de cada una de sus funciones.

En DaVinci Resolve Studio, los complementos «ResolveFX Revival» permiten restaurar el material digitalizado con el escáner. Estos brindan la posibilidad de reducir el ruido y arreglar rayas e imperfecciones, así como eliminar artefactos y otros daños visibles en los clips.

Eliminación automática de suciedad

Este complemento emplea el flujo óptico para eliminar artefactos no deseados que duran uno o dos fotogramas y son provocados por el polvo, la suciedad, las marcas en la cinta y otros elementos. Este proceso se lleva a cabo manteniendo la consistencia de los detalles en el fotograma subyacente para lograr una gran calidad en la restauración de la imagen. Asimismo, es un complemento muy fácil de usar, ya que basta con arrastrarlo hasta una toma y ajustar los parámetros para lograr los mejores resultados.



Imagen original a la izquierda y restaurada con el complemento a la derecha.

NOTA: Cabe destacar que este complemento no ofrece tan buenos resultados si la cinta presenta rallas verticales en la misma posición durante varios fotogramas, y no permite eliminar la suciedad del objetivo reflejada en una toma.

Controles principales

Controles principales para ajustar la suciedad que se elimina de la imagen.

Modo

Las opciones disponibles son **Ninguno**, **Más rápido**, **Normal** y **Mejor**. Estas permiten encontrar un equilibrio entre la calidad y la velocidad.

Fotogramas cercanos

Esta opción brinda la posibilidad de determinar la cantidad de fotogramas que se comparan al detectar la suciedad. Al aumentar su número, el proceso demora más, pero se obtienen mejores resultados en la detección de artefactos.

Reparación

Este control permite determinar la forma en que se reparan los artefactos encontrados. Al elegir valores más bajos, algunos elementos no deseados podrían permanecer en la imagen, mientras que, al seleccionar valores más altos, se elimina todo lo que se detecta.

Límite del tamaño

Este control permite determinar el tamaño de las partículas de suciedad para que se eliminen. Aumentando este parámetro, es posible omitir en el proceso aspectos como la granulosidad, a la vez que se eliminan partículas más pequeñas.

Mostrar máscara

Esta casilla brinda la posibilidad de ver los artefactos detectados, a fin de ajustar la efectividad del filtro con mayor precisión.

Controles de precisión

Estos controles brindan la oportunidad de ajustar los efectos con precisión a fin de compensar los procesos de eliminación de la suciedad y preservación de los detalles de las imágenes.

Límite de movimiento

Este control permite ajustar el valor al cual los píxeles en movimiento se consideran suciedad o artefactos. Al elegir números más bajos, la detección de la suciedad podría ser menos efectiva, pero habrá menos artefactos de movimiento. Al seleccionar valores más altos, se elimina una mayor cantidad de suciedad, pero puede haber más artefactos en imágenes donde hay un movimiento de la cámara o de los objetos filmados.

Ignorar bordes

Esta opción permite excluir los bordes de la película para que no se vean afectados por la suciedad o los artefactos eliminados. Al elegir valores más altos, se omite una mayor cantidad de bordes.

Corrección de píxeles atascados

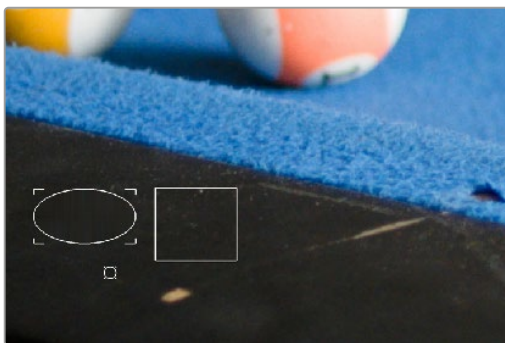
DaVinci Resolve ofrece un filtro que facilita la corrección de píxeles atascados con un color o un brillo determinados en los clips digitalizados o las imágenes importadas. Este filtro se ha diseñado para permitir la colocación de parches en cada uno de estos píxeles, de manera que, al identificarlos, se puedan emplear distintos métodos a fin de solucionar el problema.

De algún modo, este filtro es parecido al que elimina el polvo, aunque este último está diseñado para reparar partes de polvo y suciedad transitorias que solo aparecen en uno o dos fotogramas, mientras que el corrector de píxeles atascados afecta las imperfecciones en todo el clip.

Para corregir píxeles atascados:

- 1 Aplique el filtro denominado **Corrección de píxeles defectuosos** y active los controles OFX en el visor.
- 2 En los ajustes del filtro, seleccione la opción **Colocar parche** y haga clic en los píxeles que desea corregir. Es posible hacer clic en cualquier lugar de la imagen con el propósito de colocar tantos parches como sean necesarios.

Para moverlos, basta con arrastrarlos y cambiarlos de posición. Asimismo, se pueden eliminar los que no se requieran presionando la tecla **Option** y haciendo clic con el botón izquierdo.



Eliminación de varios píxeles atascados

Al colocar múltiples parches, es posible hacer clic sobre los que se deseen ajustar, ya que cada uno puede contar con distintas configuraciones.

General

Estos controles en la parte superior brindan la posibilidad de trazar parches a fin de corregir imperfecciones en los fotogramas.

Estilo

Hay tres estilos diferentes de parches que se pueden trazar para corregir distintos tipos de imperfecciones en los fotogramas.

Rectángulo

Haga clic y arrastre el cursor para trazar un parche rectangular de cualquier tamaño. Una vez dibujado, haga clic en el borde y arrástrelo para moverlo.

Elipse

Haga clic y arrastre el cursor para trazar un parche elíptico de cualquier tamaño. Una vez dibujado, haga clic en el borde y arrástrelo para moverlo.

Colocar parche

Esta función permite colocar parches pequeños para cubrir detalles con precisión, como píxeles atascados. Al seleccionarla función, aparecerá un nuevo panel de control que facilita el ajuste del tamaño de los parches antes de colocarlos en su lugar. Una vez dibujado, haga clic en el borde y arrástrelo para moverlo.

Nuevo tamaño

Esta opción solo está disponible al activar la que permite colocar los parches y brinda la posibilidad de seleccionar su tamaño usando las herramientas correspondientes.

Mostrar áreas

Esta casilla permite ver y ocultar los controles en el visor para cada parche.

Ocultar durante el proceso

Esta opción oculta el borde de los parches en el visor al moverlos, a fin de facilitar la supervisión del resultado al cambiarlos de posición.

Tipos de parches

Hay tres métodos disponibles para corregir el área que abarca el parche seleccionado. Al dibujar parches, el tipo de parche elegido determinará el del siguiente. Cuando se selecciona un parche ya existente, al cambiar su tipo del mismo, también se modificará su funcionamiento.

Espacial

Esta opción rellena automáticamente el interior del parche seleccionado con píxeles extraídos de la zona que lo rodea. Es ideal para pequeñas imperfecciones.

Clonación

Este modo permite copiar una parte de la imagen para rellenar una forma geométrica o un parche situado sobre lo que se desea eliminar. Basta con hacer clic y arrastrar la forma geométrica sobre la imperfección, y hacer clic nuevamente a fin de copiar el área que se desea clonar. Es decir, un clic para mover y colocar el parche, y un segundo clic a fin de copiar el área. Al seleccionar una forma geométrica, es posible hacer clic sobre la misma a fin de clonarla. El área se destacará mediante una línea de puntos conectada a la original.

Fusionar clonación

Funciona de forma similar al modo de clonación, aunque en este caso la parte copiada de la imagen que rellena la forma geométrica o el parche se mezcla con el fotograma a fin de integrarse más homogéneamente.

Relleno

Al seleccionar un parche espacial, esta opción determina cómo se repararán las imperfecciones en la imagen.

Cuadrícula

Esta opción toma una muestra de los píxeles que rodean el rectángulo, la elipse o el parche y realiza un desenfoque hacia interior, tanto horizontal como verticalmente. Es muy efectiva para corregir pequeñas imperfecciones, pero no es la más recomendada para otras de mayor tamaño, ya que puede resultar visible.

Horizontal

Esta opción toma una muestra de los píxeles a la izquierda y a la derecha del rectángulo, la elipse o el parche y realiza un desenfoque hacia el interior del mismo.

Vertical

Esta opción toma una muestra de los píxeles arriba y abajo del rectángulo, la elipse o el parche y realiza un desenfoque hacia el interior del mismo.

Alrededor

Esta opción toma una muestra de los píxeles que rodean el rectángulo, la elipse o el parche expandiéndolos y desenfocándolos a fin de crear un área heterogénea para corregir las imperfecciones. A pesar de no emplear la misma técnica que el método de cuadrícula, ofrece un resultado homogéneo.

Uniforme

Esta opción simplemente usa un desenfoque gaussiano para corregir las imperfecciones.

Opciones de parche

Estas opciones permiten personalizar el efecto de un parche que cubre una imperfección.

Activar

Permite activar o desactivar un parche mediante fotogramas clave. Es de gran utilidad para imperfecciones que solo se ven en unos pocos píxeles de una toma en particular.

Variabilidad para parches espaciales

Al aumentar este parámetro, el método de relleno será menos uniforme.

Bordes atenuados

Permite atenuar los bordes de los parches.

Ajuste de tamaño

Permite modificar el tamaño de un parche después de haber sido creado.

Controles avanzados

Estos controles permiten personalizar la interfaz para este efecto.

Clonación con el mouse

Con esta opción activada, al dibujar o colocar una forma geométrica o parche con los modos de clonación, inmediatamente se destaca el área de muestra, a fin de agilizar el proceso.

Parches nuevos seleccionados

Con esta opción activada, los parches permanecen seleccionados una vez dibujados, a fin de que puedan personalizarse.

Grosor de bordes

Permite ajustar el grosor de los bordes.

Parches adheridos a

Este parámetro permite arreglar píxeles atascados o imperfecciones en los clips que han sido estabilizados.

Fuente

Los parches permanecen estáticos, a menos que se establezca el movimiento en la toma, en cuyo caso se transformarán junto con la imagen.

Escena

Para eliminar imperfecciones en un objeto en movimiento, es posible emplear la función de seguimiento, a fin de que el parche lo acompañe.

Entrega

Este modo brinda la posibilidad de visualizar distintas representaciones del efecto generado por los parches. Hay cuatro opciones.

Resultado

El resultado final con el parche cubriendo la imperfección.

Ubicación

Se muestran los parches en blanco sobre un fondo negro.

Diferencias

Muestra las diferencias entre cada parche y la imagen original.

Diferencias destacadas

Muestra las diferencias de forma más pronunciada.

Reducción de parpadeo

El complemento **Reducción de parpadeo** facilita el ajuste de distintas exposiciones en clips a cámara rápida, de luces fluorescentes que parpadean, de cintas de archivo y, en algunos casos, de las barras que aparecen en la pantalla al grabar con diferentes velocidades de obturación. Estos filtros únicamente actúan sobre partes iluminadas de manera rápida y temporalmente inestable, por lo que es capaz de aplicarse solo en las áreas en las que ocurre el parpadeo, sin afectar al resto de la imagen. Como resultado, este complemento permite solucionar problemas que antes se consideraban imposible de arreglar.



Imagen original a la izquierda y con la opción **Luz fluorescente** del filtro **Reducción de parpadeo** a la derecha

Parámetros principales

De manera predeterminada, la parte superior de este complemento muestra un solo control, que en muchos casos es el único necesario.

Menú de ajustes

Las dos opciones en la parte superior, **Cámara rápida** y **Luz fluorescente**, son ajustes predeterminados que eliminan de manera efectiva dos categorías de artefactos parpadeantes. Si con ninguna de estas dos opciones obtiene el resultado esperado, una tercera (**Aislar parpadeo**) con opciones avanzadas estará disponible a fin de permitirle aislar las zonas con parpadeo y personalizar el complemento basándose en sus necesidades.

Reducción de ruido temporal

Estos ajustes solo aparecen al acceder a los controles avanzados que ofrece el complemento. Permiten escoger cómo detectar el movimiento en la escena a fin de tratar el parpadeo correctamente, de manera relativa al movimiento de los objetos y elementos en el fotograma que aparecen.

Fotogramas a ambos lados

Permite especificar el número de fotogramas que se analizarán para determinar qué partes están en movimiento. Los valores alto no siempre son mejores y los ajustes dependerán de cada caso en particular. El ajuste predeterminado es 3.

Modo

Permite seleccionar el método que DaVinci Resolve utiliza para analizar la imagen y detectar el movimiento. Las opciones, a pesar de su nombre, serán más o menos efectivas, dependiendo de

cada caso individual. La opción **Mayor velocidad** necesita menos recursos del procesador, pero es menos precisa. Sin embargo, puede resultar beneficiosa en imágenes muy detalladas en las que la opción **Mejor calidad** podría no ser tan efectiva. La opción **Mejor calidad** es más precisa, pero emplea más recursos del procesador. Esta tratará de hacer coincidir más cantidad de detalles, lo que a veces puede causar problemas. La opción **Ninguno** permite desactivar las dos anteriores. Esta resulta efectiva y en ocasiones más rápida cuando no hay ningún tipo de movimiento en la escena. La opción predeterminada es **Mejor calidad**.

Rango

Las opciones **Corto**, **Medio** y **Grande** permiten seleccionar la velocidad del movimiento en el fotograma.

Luminancia

Permite determinar el umbral máximo a partir del cual los cambios en la luminancia no se considerarán parpadeo. El intervalo 0-100 representa que 0 no elimina el parpadeo en ningún área de la imagen, mientras que 100 lo aplica a todas. El ajuste predeterminado es 100.

Crominancia

Permite determinar el umbral máximo a partir del cual los cambios en la crominancia no se considerarán parpadeo. El intervalo 0-100 representa que 0 no elimina el parpadeo en ningún área de la imagen, mientras que 100 lo aplica a todas. El ajuste predeterminado es 100.

Vincular luminancia y crominancia

Brinda la posibilidad de escoger si se agrupan o no los umbrales de luminancia y crominancia.

Límite de movimiento

Permite determinar el umbral máximo a partir del cual no se considerará el movimiento como parpadeo.

Optimización de velocidad

Al abrir estos ajustes, se ofrecen dos controles:

Movimiento con reducción de detalles

Esta casilla se encuentra seleccionada por defecto. Reduce la cantidad de detalles que se analizan para detectar el parpadeo. En muchos casos, no muestra diferencias visibles, pero aumenta la velocidad de procesamiento. Desactive esta opción si el clip tiene un alto nivel de detalles y se pierden muchos de ellos.

Limitar área de análisis

Al activar esta casilla, se brindan opciones para limitar el parpadeo en un área específica de la imagen. Esta opción resulta de gran utilidad bien cuando solo una parte de la imagen tiene parpadeo, por lo que concentrarse únicamente en la zona agiliza el proceso, o cuando parte de la imagen se ha ajustado demasiado y se debe tratar otra área de la misma.

Restaurar detalles después de reducir el parpadeo

Al abrir estos ajustes, se ofrecen dos controles:

Detalles por restablecer

Este control deslizante permite aislar rápidamente granulosidad, detalles y bordes nítidos a fin de preservarlos con exactitud, ya que no deberían verse afectados por la operación de eliminación de parpadeo.

Mostrar detalles restablecidos

Al seleccionar esta casilla, se destacarán los bordes que detecta la opción anterior, a fin de facilitar el procedimiento.

Salida

Este menú brinda la posibilidad de escoger el resultado de la eliminación de parpadeo mediante opciones que permiten solucionar el problema del clip. Las opciones disponibles son las siguientes:

Resultado de reducción de parpadeo

El resultado final, reparado. Esta es la opción predeterminada.

Parpadeo detectado

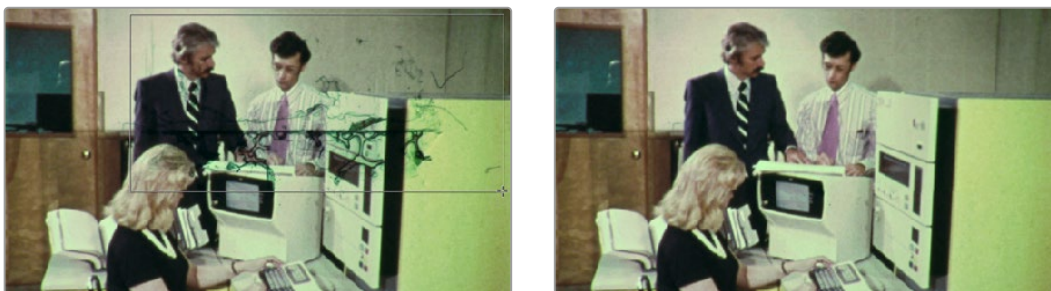
Esta opción muestra una máscara que destaca las partes de la imagen en las que se ha detectado parpadeo, con el propósito de determinar si son las áreas correctas. Sin embargo, la máscara puede ser muy sutil.

Parpadeo aumentado

Esta opción muestra una versión exagerada de la máscara descrita anteriormente, a fin de facilitar aún más la monitorización del complemento de parpadeo.

Eliminación de polvo

Este complemento ha sido diseñado para eliminar polvo, suciedad y otros artefactos e imperfecciones en los clips. Sin embargo, este proceso debe llevarse a cabo bajo la supervisión del usuario y solo si los resultados obtenidos con el complemento **Eliminación automática de suciedad** no son satisfactorios. Para ello, es preciso desplazar la cinta fotograma a fotograma y marcar recuadros en torno a las imperfecciones que se desean eliminar. Una vez que estas se delimitan, se eliminan de la mejor forma posible. Este complemento ofrece buenos resultados no solo con el polvo y la suciedad, sino también en grandes manchas, como se ilustra a continuación.



Demarcación del área con imperfecciones en la imagen original a la izquierda y resultado obtenido al aplicar el complemento a la derecha.

De algún modo, este proceso es similar al que elimina píxeles atascados, aunque está diseñado para reparar partes de polvo y suciedad transitorias que solo aparecen en uno o dos fotogramas, mientras que el corrector de píxeles arregla las imperfecciones en todo el clip.

General

Estos controles en la parte superior brindan la posibilidad de dibujar parches a fin de corregir temporalmente polvo y suciedad inestable en los fotogramas.

Controles de desplazamiento

Hay cuatro botones para acceder a los fotogramas con parches. Botones:

Primer fotograma modificado

Coloca el cabezal en el primer fotograma del clip con un parche.

Anterior fotograma modificado

Coloca el cabezal en el fotograma anterior con un parche.

Siguiente fotograma modificado

Coloca el cabezal en el fotograma siguiente con un parche.

Último fotograma modificado

Coloca el cabezal en el último fotograma con un parche.

Estilo

Hay tres estilos diferentes de parches que se pueden trazar para corregir distintos tipos de imperfecciones en los fotogramas.

Rectángulo

Haga clic y arrastre el cursor para trazar un parche rectangular de cualquier tamaño. Una vez dibujado, haga clic en el borde y arrástrelo para moverlo.

Elipse

Haga clic y arrastre el cursor para trazar un parche elíptico de cualquier tamaño. Una vez dibujado, haga clic en el borde y arrástrelo para moverlo.

Colocar parche

Esta función permite colocar parches pequeños para cubrir detalles con precisión, como píxeles atascados. Al seleccionarla función, aparecerá un nuevo panel de control que facilita el ajuste del tamaño de los parches antes de colocarlos en su lugar. Una vez dibujado, haga clic en el borde y arrástrelo para moverlo.

Nuevo tamaño

Esta opción solo está disponible al activar la que permite colocar los parches y brinda la posibilidad de seleccionar su tamaño usando las herramientas correspondientes.

Mostrar áreas

Esta casilla permite ver y ocultar los controles en el visor para cada parche.

Ocultar durante el proceso

Esta opción oculta el borde de los parches en el visor al moverlos, a fin de facilitar la supervisión del resultado al cambiarlos de posición.

Tipos de parches

Hay seis métodos disponibles para corregir el área que abarca el parche seleccionado. Al dibujar parches, el tipo de parche elegido determinará el del siguiente. Cuando se selecciona un parche ya existente, al cambiar su, también lo hará su funcionamiento.

Automático

Este es el método predeterminado. Una vez creado un recuadro, se analizan y se comparan los dos fotogramas anteriores y los dos posteriores a la imagen visualizada, y se utiliza el mejor de los cinco para eliminar la imperfección. Cabe señalar que se priorizan fotogramas anteriores y posteriores a la imagen, ya que esto evitará la aparición de granulosidad estática, pero solo si resultan adecuados.

+/- 1 fotograma

En este modo, si se dibuja el recuadro de izquierda a derecha, se utiliza el fotograma siguiente para eliminar la imperfección. Al hacerlo en sentido inverso, se emplea el anterior.

+/- 2 fotogramas

Si se dibuja el recuadro de izquierda a derecha, se utilizan los dos fotogramas siguientes para eliminar la imperfección. Al hacerlo en sentido inverso, se emplean los dos anteriores.

Espacial

Esta opción rellena automáticamente el interior del parche seleccionado con píxeles extraídos de la zona que lo rodea. Es ideal para pequeñas imperfecciones.

Clonación

Este modo permite copiar una parte de la imagen para rellenar una forma geométrica o un parche situado sobre lo que se desea eliminar. Basta con hacer clic y arrastrar la forma geométrica sobre la imperfección, y hacer clic nuevamente a fin de copiar el área que se desea clonar. Es decir, un clic para mover y colocar el parche y un segundo clic a fin de que se copie el área. Al seleccionar una forma geométrica, es posible hacer clic sobre la misma a fin de clonarla. El área se destacará mediante una línea de puntos conectada a la original.

Fusionar clonación

Funciona de forma similar al modo de clonación, aunque en este caso la parte copiada de la imagen que rellena la forma geométrica o el parche se mezcla con el fotograma a fin de integrarse más homogéneamente.

Relleno

Al seleccionar un parche espacial, esta opción determina cómo se repararán las imperfecciones en la imagen.

Cuadrícula

Esta opción toma una muestra de los píxeles cercanos al rectángulo, la elipsis o el parche, desenfocándolos hacia adentro, tanto horizontal como verticalmente. Es muy efectiva para corregir pequeñas imperfecciones, pero no es la más recomendada para otras de mayor tamaño, ya que puede ser visible.

Horizontal

Esta opción toma una muestra de los píxeles a la izquierda y derecha del rectángulo, la elipsis o el parche, desenfocándolos hacia adentro.

Vertical

Esta opción toma una muestra de los píxeles arriba y abajo del rectángulo, la elipsis o el parche desenfocándolos, hacia adentro.

Alrededor

Esta opción toma una muestra de los píxeles alrededor del rectángulo, la elipsis o el parche, expandiéndolos y desenfocándolos a fin de crear un área heterogénea para corregir las imperfecciones. A pesar de no contar con la misma técnica que el método de cuadrícula, ofrece un resultado homogéneo.

Uniforme

Esta opción simplemente usa un desenfoque gaussiano para corregir las imperfecciones.

Opciones de parche

Estas opciones permiten personalizar el efecto de un parche que cubre una imperfección.

Activar

Permite activar o desactivar un parche mediante fotogramas clave. Es de gran utilidad para imperfecciones que solo se ven en unos pocos píxeles de una toma en particular.

Variabilidad

Exclusiva para parches espaciales. Al aumentar este parámetro, el método de relleno será menos uniforme.

Bordes atenuados

Permite atenuar los bordes de los parches.

Ajuste del tamaño

Permite modificar el tamaño de un parche después de haber sido creado.

Controles avanzados

Estos controles permiten personalizar la interfaz para este efecto.

Clonación con el mouse

Con esta opción activada, al dibujar o colocar una forma geométrica o parche con los modos de clonación, inmediatamente se se destaca el área de muestra, a fin de agilizar el proceso.

Nuevos parches permanecen seleccionados

Con esta opción activada, los parches permanecen seleccionados una vez dibujados, a fin de que puedan personalizarse.

Grosor de los bordes en la interfaz

Permite ajustar el grosor de los bordes.

Entrega

Este modo brinda la posibilidad de visualizar distintas representaciones del efecto generado por los parches. Hay cuatro opciones.

Resultado

El resultado final con el parche cubriendo la imperfección.

Ubicación

Se muestran los parches en blanco sobre negro.

Diferencias

Muestra las diferencias entre cada parche y la imagen original.

Diferencias destacadas

Muestra las diferencias de forma más pronunciada.

Reducción de ruido

Según los controles de reducción de ruido del módulo Color, el complemento Resolve FX ofrece dos tipos de reducción de ruido dinamizados por GPU que han sido diseñados para atenuar el ruido en clips problemáticos. Ambos pueden emplearse en forma conjunta o por separado, dependiendo de las necesidades particulares del proyecto.

Controles para la reducción de ruido temporal

Estos controles analizan imágenes en varios fotogramas con el objetivo de separar el ruido de los detalles. Los ajustes del panel **Estimación de movimiento** permiten excluir objetos en movimiento, a fin de prevenir artefactos no deseados.

Fotogramas a ambos lados:

El promedio de fotogramas a cada lado del seleccionado que separan los detalles del ruido. Se pueden seleccionar entre 0 y 5 fotogramas. Los valores más altos conllevan un promedio más pormenorizado, pero requieren más capacidad de procesamiento. Asimismo, se obtiene un mejor análisis, aunque podrían ocurrir artefactos no deseados en las imágenes con objetos que se mueven a gran velocidad. Un valor de 1 puede proporcionar mejores resultados para este tipo de imágenes. Si es necesario emplear valores más altos pero se visualizan artefactos, es posible corregir este problema mediante la opción **Límite de movimiento**.

Modo

Esta opción permite seleccionar el método que utiliza DaVinci Resolve para detectar el movimiento en la imagen. La opción predeterminada es **Mayor velocidad**, dado que requiere menos capacidad del procesador, aunque también es la menos precisa. Por otra parte, la opción **Mejor calidad** brinda la posibilidad de excluir el movimiento de manera más efectiva, pero emplea más recursos del procesador. La opción **Ninguno** permite desactivar la estimación de movimiento por completo, y como resultado la reducción de ruido temporal se aplica a toda la imagen.

Rango

Los ajustes **Mínimo**, **Medio** y **Máximo** permiten establecer la velocidad de movimiento que la función **Estimación de movimiento** debe excluir. La primera opción toma en cuenta objetos que se mueven lentamente, con un desenfoco de movimiento reducido o nulo, y permite que la reducción de ruido temporal afecte una mayor parte de la imagen según un umbral de movimiento determinado. La tercera opción toma en cuenta objetos que se mueven rápidamente y cuyo desenfoco de movimiento ocupa una mayor parte de la imagen, con lo cual la reducción de ruido temporal se aplicará a una zona menor de la misma según dicho umbral. Recomendamos seleccionar la opción que proporcione un término medio entre la reducción de ruido y la aparición de artefactos al ajustar este parámetro.

Controles para la reducción de ruido temporal

Estos parámetros permiten controlar las características de la imagen a las que se aplica la reducción de ruido.

Luminancia

Esta opción permite determinar el grado de reducción de ruido temporal que se aplica al componente de luminancia de la imagen. El rango es de 0 a 100, en donde 0 corresponde a una reducción nula y 100 al valor máximo. Cabe destacar que un valor demasiado alto podría provocar la pérdida de algunos detalles en la imagen.

Crominancia

Esta opción permite determinar el grado de reducción de ruido temporal que se aplica al componente de crominancia de la imagen. El rango es de 0 a 100, en donde 0 corresponde a una reducción nula y 100 al valor máximo. Cabe destacar que un valor demasiado alto podría provocar la pérdida de algunos detalles cromáticos en la imagen, aunque es posible aumentar este parámetro en mayor medida que el valor de luminancia sin que aparezcan artefactos no deseados.

Vincular luminancia y crominancia

Por lo general, estos parámetros están agrupados y se modifican conjuntamente. Sin embargo, es posible desagruparlos desactivando la casilla con el objetivo de establecer distintos valores para cada componente de la imagen, según el grado de ruido en cada componente.

Movimiento

Esta opción permite definir el valor que separa los píxeles en movimiento de aquellos estáticos. En otras palabras, define el límite que separa los píxeles que están en movimiento (por encima de este límite) frente a los que son estáticos (por debajo de este límite). Al emplear la opción **Estimación de movimiento**, la reducción de ruido temporal no se aplica sobre las regiones de la imagen por encima de este límite, a fin de evitar la aparición de artefactos no deseados. Un valor menor permite omitir una mayor parte de la imagen al considerar los movimientos más sutiles. Por el contrario, los valores más altos aplican la reducción sobre un área mayor, ya que el grado de movimiento debe ser más significativo para excluir una determinada parte de la imagen. El rango es de 0 a 100, en donde 0 corresponde a una reducción nula y 100 al valor máximo. El valor predeterminado es 50, que resulta adecuado en la mayoría de los casos. Nótese que al establecer un límite demasiado alto, podrían aparecer artefactos en las partes de la imagen en movimiento.

Combinar

Esta opción permite realizar un fundido entre la imagen afectada por la reducción de ruido temporal (0.0) y la original (100.0). Asimismo, brinda la posibilidad de dividir fácilmente la diferencia al aplicar dicha función en mayor grado.

Controles para la reducción de ruido espacial

Estos controles permiten atenuar las regiones con ruido de alta frecuencia en la imagen y a su vez conservar los detalles. Esta opción resulta efectiva cuando no es posible eliminar totalmente el ruido mediante la reducción temporal.

Modo

Este menú permite seleccionar tres algoritmos para la reducción de ruido espacial. Dado que los tres métodos emplean los mismos controles, es posible alternar entre ellos para comparar el resultado final.

Mayor velocidad

Esta opción emplea el método disponible con anterioridad, que resulta efectivo para valores menores pero puede ocasionar artefactos al aplicarse con valores más altos.

Mejor calidad

Esta opción activa un algoritmo que genera mejores resultados, pero requiere una mayor capacidad de procesamiento durante la renderización de las imágenes. Sin embargo, no permite ajustar la luminancia y crominancia por separado.

Mejorado

Esta opción mejora significativamente la preservación de la nitidez y los detalles de las imágenes cuando se aumenta el límite de reducción de ruido espacial. Las optimizaciones son particularmente visibles cuando el límite para la reducción de ruido espacial es un valor alto. Cabe destacar que dicho valor dependerá de las imágenes. En caso de que el límite esté configurado a niveles más bajos, las mejoras podrían ser más sutiles si se comparan con el modo **Mejor calidad**, que además requiere menos capacidad de procesamiento. Asimismo, la opción **Calidad optimizada** brinda la posibilidad de ajustar los límites de luminancia y crominancia por separado para cada uno de los componentes cromáticos.

Intensidad

Las opciones disponibles para este parámetro son **Máxima**, **Media** y **Mínima**. Esta última permite lograr un mejor rendimiento en tiempo real y obtener imágenes de buena calidad al utilizar valores de luminancia y crominancia bajos. Sin embargo, es posible notar un grado mayor de atenuación de los bordes en las regiones con más detalles al emplear límites menores cuando se aplica la reducción de ruido.

Al ajustar este parámetro de forma que se incremente paulatinamente, la calidad aumenta en las áreas de mayor detalle visual al utilizar valores altos para los componentes de luminancia y crominancia, aunque cabe destacar que el rendimiento disminuye. La opción **Media** proporciona una calidad adecuada para la mayoría de las imágenes al emplear valores intermedios para la reducción de ruido. Al igual que en otros casos, hay un término medio entre la calidad y la velocidad.

Controles para la reducción de ruido espacial

Estos parámetros permiten controlar las características de la imagen a las que se aplica la reducción de ruido.

Luminancia

Esta opción permite determinar el grado de reducción de ruido que se aplica al componente de luminancia de la imagen. El rango es de 0 a 100, en donde 0 corresponde a una reducción nula y 100 al valor máximo. Cabe destacar que un valor demasiado alto podría provocar la pérdida de algunos detalles en la imagen.

Crominancia

Esta opción permite determinar el grado de reducción de ruido que se aplica al componente de crominancia de la imagen, atenuando las regiones con ruido de alta frecuencia y conservando al mismo tiempo la nitidez de los bordes. El rango es de 0 a 100, en donde 0 corresponde a una reducción nula y 100 al valor máximo. Cabe destacar que un valor demasiado alto podría provocar la pérdida de algunos detalles cromáticos en la imagen, aunque es posible aumentar este parámetro en mayor medida que el valor de luminancia sin que aparezcan artefactos no deseados.

Vincular luminancia y crominancia

Por lo general, estos parámetros están agrupados y se modifican conjuntamente. Sin embargo, es posible desagruparlos con el objetivo de establecer distintos valores para cada componente de la imagen. Por ejemplo, si una imagen luce demasiado atenuada con un determinado grado de reducción de ruido pero se aprecia un mayor moteado cromático, es posible reducir el valor para la luminancia, a fin de conservar los detalles, y al mismo tiempo aumentar el correspondiente a la crominancia para eliminar el ruido cromático.

Combinar

Esta opción permite realizar un fundido entre la imagen afectada por la reducción de ruido espacial (0.0) y la original (100.0). Asimismo, brinda la posibilidad de dividir fácilmente la diferencia al aplicar dicha función en mayor grado.

Fusión general

Combinar

Esta opción permite realizar un fundido entre la imagen original (1.0) y la que cuenta con reducción de ruido espacial y temporal (0.0).

Uso de la reducción de ruido

Se recomienda seguir el procedimiento descrito a continuación para usar los parámetros de reducción de ruido y lograr un resultado controlado.

Cómo reducir el ruido en la imagen:

- 1 Active la opción **Reducción de ruido temporal** seleccionando un valor entre 1 y 5 en el menú **Cantidad de fotogramas**. Nótese que un valor mayor incrementa el tiempo de renderización de este efecto y, dependiendo del material disponible, no necesariamente permite lograr un mejor resultado.
- 2 Seleccione las opciones correspondientes en los menús **Tipo de movimiento** y **Rango de movimiento** según la cantidad de movimiento en la imagen. Si existe un grado significativo de movimiento, seleccione las opciones **Mejor calidad** y **Máxima**. De lo contrario, será suficiente con utilizar parámetros menores.
- 3 Con los límites de luminancia y crominancia vinculados, aumente lentamente cualquiera de estos valores hasta que comience a notar una reducción del ruido en las áreas sin movimiento. A continuación, realice pequeños ajustes para determinar el grado máximo que es posible lograr sin generar artefactos o perder nitidez en los detalles.
- 4 Si el ruido es mayor en el componente de crominancia que en la luminancia, es posible desactivar el vínculo entre ambos parámetros al alcanzar un nivel donde la reducción de ruido sea satisfactoria en la luminancia y continuar incrementando el límite de crominancia para intentar eliminar el moteado cromático en la imagen.
- 5 Si no es posible lograr un equilibrio entre el grado máximo de reducción de ruido y la prevención de artefactos, aumente o disminuya el rango de movimiento a fin de omitir o incluir distintas partes de la imagen. Si el resultado aún no es satisfactorio, ajuste los parámetros **Estimación de movimiento** y **Rango de movimiento**.
Cabe notar que la reducción de ruido temporal está orientada a reducir el ruido en las partes estáticas de la imagen. Cuando se logra reducir el ruido en dichas áreas evitando artefactos en las zonas con movimiento, es necesario aplicar una reducción de ruido espacial para tratar de eliminar una mayor cantidad de ruido en el resto de la imagen.
- 6 Active la reducción de ruido espacial aumentando el límite de luminancia o crominancia hasta lograr el balance adecuado entre la reducción de ruido y la atenuación de la imagen.
- 7 Se recomienda escoger la opción **Calidad optimizada** en el menú para la reducción de ruido espacial, ya que permite lograr mejores resultados. Sin embargo, esta requiere una mayor capacidad de procesamiento. Seleccione la opción **Mayor velocidad** para incrementar el rendimiento en tiempo real y compare los resultados.
- 8 Si el ruido es mayor en el componente de crominancia que en la luminancia, es posible desactivar el vínculo entre ambos parámetros al alcanzar un nivel donde la reducción de ruido sea satisfactoria en la luminancia y continuar incrementando el límite de crominancia para intentar eliminar el moteado cromático en la imagen.

- 9 Si fue necesario utilizar valores demasiado altos para los límites de luminancia y crominancia al aplicar una reducción de ruido espacial y hay detalles que lucen demasiado atenuados, seleccione un valor mayor en el menú **Intensidad** para conseguir un análisis más pormenorizado de la escena.
Aunque de esta manera es posible lograr una mejor calidad visual, se requieren una mayor cantidad de recursos del procesador, y el rendimiento en tiempo real podría verse afectado si no se cuenta una unidad de procesamiento gráfico adecuada.
- 10 Si a pesar de utilizar la configuración más adecuada la imagen aún luce demasiado procesada, es posible aumentar el valor de la opción **Combinar** para comparar la imagen al aplicar la reducción de ruido aplicada con el material original.

Intente aplicar en primer lugar la reducción de ruido temporal y, a continuación, la espacial

Debido a que la reducción de ruido temporal analiza múltiples fotogramas para aislar el ruido, suele preservar los detalles de manera más precisa en regiones de la imagen en las que hay poco movimiento. Si una vez aplicada esta, el resultado es satisfactorio, es posible reducir la cantidad de reducción de ruido espacial que se desea aplicar, por lo que se mejorará la calidad del resultado final.

Cabe destacar que la reducción de ruido temporal es ideal para partes sin movimiento de una imagen, pero es menos efectiva en objetos con movimiento. Por su parte, la reducción de ruido espacial es útil para ambas situaciones, incluso por debajo del límite ajustado. Por esto, la mejor opción es usar ambas de forma combinada.

Intensidad de la reducción de ruido

Aumentar la intensidad de la reducción de ruido puede mejorar en gran medida la calidad de los detalles en las áreas de las tomas en las que se aplica un alto grado de reducción de ruido espacial, aunque no siempre es necesario usar valores altos. En muchas ocasiones, al evaluar las imágenes con reducción de ruido, podría no percibirse una mejora notable, por lo que no sería necesario realizar el proceso.

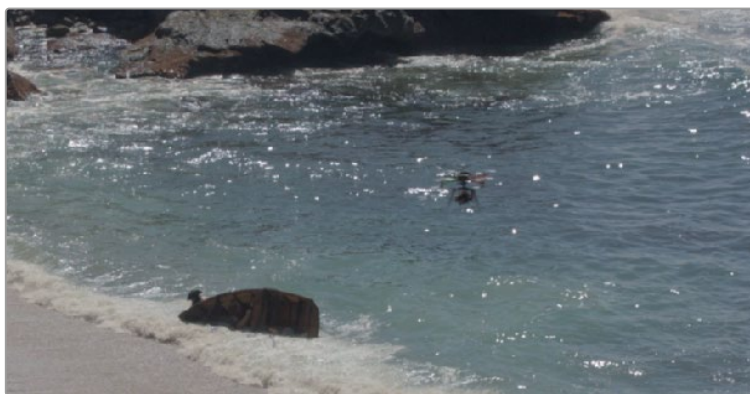
Es recomendable supervisar las imágenes en pantallas de gran tamaño, a fin de garantizar que la reducción de ruido se lleva a cabo satisfactoriamente. Es posible ampliar la imagen mientras se está aplicando la reducción de ruido para comprobar si se deben ajustar los valores de dicho parámetro, puesto que algunos detalles de la toma podrían no ser percibidos en su tamaño real.

Eliminación de objetos

Recomendamos emplear el complemento de eliminación de objetos en el módulo Color, ya que utiliza el motor neuronal de DaVinci a fin de eliminar automáticamente tantos objetos en la toma como sea posible. Dicho complemento funciona mejor cuando se desean eliminar objetos temporales en movimiento sobre un fondo estático o cuando es necesario eliminar suciedad de una toma en la que la cámara está en movimiento. A pesar de que se logran mejores resultados con objetos pequeños, la realidad es que la calidad del proceso dependerá del material grabado. A continuación, se describe cómo funciona este procedimiento.

Cómo eliminar un objeto en movimiento de un clip:

- 1 En este ejemplo, hay un dron volando en una toma de larga duración que está grabada simultáneamente. Eliminaremos el dron mediante una PowerWindow a fin de identificarlo, a través del complemento para la eliminación de objetos.



Toma original con dron que debe ser eliminado.

En casos simples, a menudo es más sencillo aplicar el complemento directamente a un nodo de corrección para emplear una PowerWindow o la herramienta de colores específicos en dicho nodo con el propósito de aislar el objeto que se desea eliminar. A continuación, se describe un ejemplo.

- 2 Abra el panel de Power Windows y dibuje un contorno alrededor del objeto que debe ser eliminado. Los mejores resultados se obtienen utilizando ventanas o máscaras.
- 3 Haga un seguimiento de la máscara o marque un fotograma clave. Cabe destacar que los resultados serán mejores cuanto más precisa sea la ventana o máscara que rodea el objeto. Además, recomendamos atenuar los bordes de la misma.



El objeto se ha aislado mediante una Power Window.

- 4 A continuación, arrastre el complemento de eliminación de objetos y suéltelo en el nodo que se ha utilizado para aislar el objeto.
- 5 La opción **Use OFX Alpha** se activará automáticamente en el menú contextual del nodo para permitir que el complemento use la máscara creada en el mismo, a fin de eliminar el objeto.
- 6 Haga clic en el botón de análisis de la escena para obtener información. Si el objeto que se desea eliminar está en movimiento pero la cámara no, es posible activar la casilla **Assume no motion** para mejorar los resultados.

Si el material grabado es ideal para llevar a cabo la eliminación de objetos, estos desaparecerán una vez que el análisis se ha completado y serán reemplazados con un fondo homogéneo basado en los detalles de los fotogramas adyacentes.

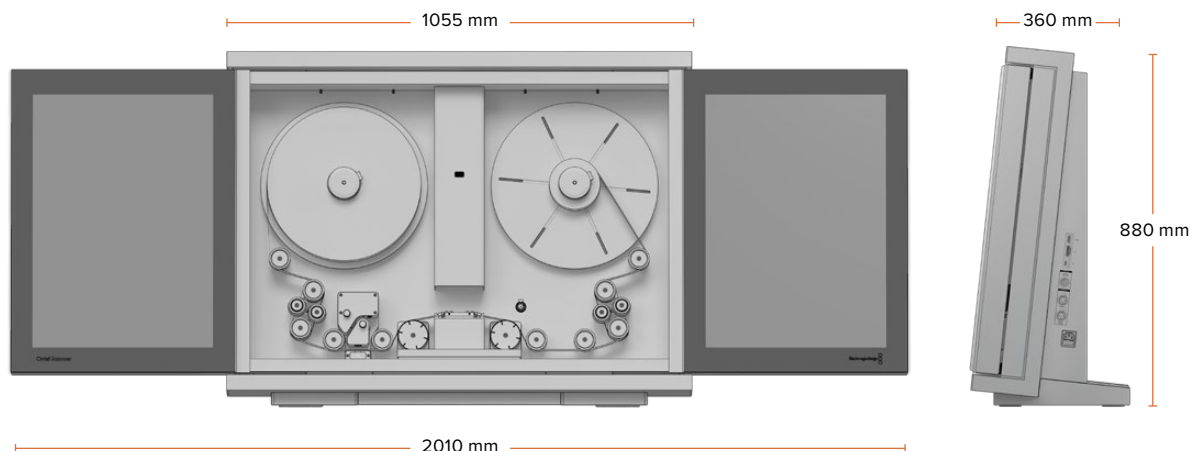


El resultado después de haber eliminado el objeto.

El complemento para eliminar objetos depende en gran medida de la calidad del material grabado, por lo que no siempre se obtendrán resultados satisfactorios con facilidad. Algunos de los problemas que pueden surgir se manifiestan como bordes o tonos grisáceos en la ventana de reemplazo que indican que la configuración actual no es la apropiada para encontrar un fondo con el cual rellenar el espacio del objeto eliminado. En caso de que esto ocurra, hay dos opciones.

- Si se percibe que, al analizar los resultados, la máscara empleada para eliminar el objeto muestra bordes grisáceos en algunos fotogramas, es posible ajustarla mediante el control deslizante, el cual determina la distancia (en fotogramas) desde el fotograma actual en torno al cual se realiza la búsqueda para efectuar el reemplazo. Por ejemplo, si el valor es 20, se buscará entre ± 20 fotogramas desde el actual, es decir un total de 40. El margen de 10 fotogramas significa que se busca cada cuatro fotogramas. Normalmente, los mejores resultados se obtienen con intervalos más pequeños, ya que son más precisos.
- Si la máscara de eliminación se ve completamente gris en algunos fotogramas, significa que el relleno del fondo no ha podido generarse fácilmente. En estos casos es posible hacer clic en el botón **Build Clean Plate**, que ofrece un proceso automatizado para generar el fondo que se usará como relleno, integrando fotogramas que coinciden de forma más precisa.
- Si el relleno del parche es satisfactorio, pero el resultado no se combina bien con el fondo, es posible modificar el modo de mezcla. El modo predeterminado es **Lineal**, que realiza una operación simple de clonación, pero cabe la posibilidad de seleccionar el modo **Adaptive Blend**, que ofrece mejores resultados, aunque no es recomendable en ciertas situaciones cuando los bordes del parche tienen un color o brillo distintos al del fondo.
- El menú **Scene Mode** proporciona distintos métodos para analizar la escena. Este permite mejorar el análisis de movimiento del área que será reemplazada para determinar en mejor medida cómo rellenar el espacio vacío. El fondo analiza toda la imagen excepto el área en la que se encuentra el objeto. Otro análisis se encarga del área que rodea la región en la que se encuentra el objeto. Por último, el modo de análisis acompaña el movimiento del objeto.

Especificaciones



Peso: 60 kg (132 lb). Dimensiones montado en una pared: Altura - 785 mm, profundidad - 265 mm.

Características del escáner

Tipos de cinta

- Copias positivas, negativos, interpositivos, internegativos.
- Monocromáticas y a color.

Formatos de película

- 35 mm: (2, 3 o 4 perforaciones)
- Super 35 mm: (2, 3 o 4 perforaciones)
- 16 mm
- Super 16
- 8 mm
- Super 8

Resolución nativa

4096 x 3072

Resoluciones efectivas¹

- 3840 x 2880 - Super 35
- 3390 x 2465 - 35 mm convencional
- 3390 x 2865 - 35 mm anamórfico
- 1903 x 1143 - Super 16
- 1581 x 1154 - 16 mm convencional
- 1903 x 1143 - Super 8
- 752 x 567 - 8 mm convencional

Audio

Extracción a partir de la imagen digitalizada.

Formatos HDMI

UHD (3840 x 2880) o HD (1920 x 1080). Selección automática según la resolución del monitor conectado.

Reducción de polvo y marcas

- Luz de fuente difusa
- Rodillos de limpieza

Opciones de montaje

- Escritorio
- Pared

Rango dinámico

- Digitalización convencional: 12 pasos
- Digitalización HDR: Hasta 3.5 pasos adicionales

Características de desplazamiento

Movimiento continuo

Velocidades de funcionamiento

1 - 30 f/s

Avance y retroceso

1 - 100 f/s (35 mm)

1 - 200 f/s (16 mm)

Tolerancia para la contracción de la cinta

Hasta 2 % garantizada. Es posible lograr una mayor tolerancia si se ejerce el debido cuidado.

Aceleración

5 - 30 f/s

Capacidad

2000 pies (35 mm)

Conexiones

Salida de vídeo HDMI

1 x HDMI 1.4 (4:2:2 de 10 bits) solo para vista previa.

Interfaz de opciones

XLR6

Interfaz informática²

- Thunderbolt® 3 para digitalizar audio e imágenes y actualizar el dispositivo. Carga mediante puerto USB-C (15 W a 5 V).
- PCI Express x4 de segunda generación.

Sincronización

bifásica / código de tiempo³

- CC 4.5 V bifásica con acoplamiento
- Código de tiempo CC 1.5 V con acoplamiento
- Código de tiempo compatible con 24, 25 y 30 f/s.

Entradas de audio analógico

2 canales para audio analógico balanceado profesional con conversión de la frecuencia de muestreo mediante conectores XLR con niveles de 10 dBV.

Entrada de audio AES/EBU

2 canales con conversión de la frecuencia de muestreo mediante un conector XLR.

¹ Resolución de la imagen recortada solamente.

² El escáner solo dispone de un puerto Thunderbolt.

³ Escáner Cintel 2 (o posterior).

Requisitos energéticos

Intervalo de voltaje

90-240 V CA

Alimentación

200 W

Fusible

T5AL' 20 mm

Condiciones ideales para la cinta

Temperatura de funcionamiento

18 °C - 28 °C

Humedad relativa

Máximo 65 % sin condensación

Sistemas operativos

Mac, Windows y Linux.

Accesorios

- Lector de audio y números KeyKode
- Escáner Cintel Ventanilla para cintas de 16 mm (HDR)
- Escáner Cintel Ventanilla para cintas de 8 mm (HDR)

- Escáner Cintel Ventanilla para cintas de 35 mm (HDR)
- Rodillos de limpieza

- Cables Blackmagic PCI Express

Lector de audio y números KeyKode

Ecuación

Grabación óptica SMPTE,
Grabación magnética IEC

Velocidades de lectura admitidas

Todas las velocidades del escáner.

Tipo de led

Sonido óptico y
KeyKode Deep RED

Velocidad de lectura de audio

6 f/s – 125 % de la frecuencia de imagen de la película.

Por ejemplo, para una frecuencia de 24 f/s, la velocidad de lectura máxima es de 30 f/s, y para una cinta de 16 mm, es de 12 f/s.

Bandas ópticas compatibles

- Área variable
- Densidad variable

Frecuencia de muestreo y profundidad de bits

48 kHz y 24 bits PCM en archivos WAV

Banda óptica 35 mm

Ancho de banda

40 Hz - 16 kHz +2 dB

Relación señal/ruido⁴

Base transparente -65 dB

Fluctuación y trémolo⁵

< 0.15 %

Banda óptica 16 mm

Ancho de banda

40 Hz - 7 kHz +2 dB

Relación señal/ruido⁴

Base transparente -65 dB

Fluctuación y trémolo⁵

< 0.3 %

Banda magnética en cintas de 16 mm con una perforación

Presión

15 gramos

Ancho de banda⁶

32 Hz - 14 kHz +2 dB

Relación señal/ruido⁴

-55 dB

Fluctuación y trémolo⁵

< 0.3 %

Volumen de modulación completa

-18 dBFS

Volumen de los auriculares⁷

-18 dBu a 50 Ω

Conexión de audio

XLR6

Interfaz informática

Puerto USB-C para actualizar el sistema operativo interno

Consumo energético

10 W a 12 V CC

Dimensiones

Altura: 156 mm

Ancho: 22 mm

Profundidad: 106 mm

Peso: 1.35 kg

⁴ S/R: La relación señal/ruido se mide sin ponderación.

⁵ La fluctuación y el trémolo se miden con un factor de ponderación IEC 386.

⁶ Aunque en teoría el ancho de una banda de sonido magnética es de 20-20 kHz, no existe material disponible para calcular este valor.

⁷ El propósito de la conexión para auriculares es supervisar la calidad del audio.

Normativas



Desecho de equipos eléctricos y electrónicos en la Unión Europea:

Este símbolo en el producto indica que el dispositivo no debe desecharse junto con otros residuos domésticos. A tales efectos, debe ser entregado a un centro de recolección para su posterior reciclaje. Esto ayuda a preservar los recursos naturales y garantiza que el equipo se recicle de una manera que proteja la salud y el medioambiente. Para obtener más información al respecto, comuníquese con el distribuidor o el centro de reciclaje más cercano.



Según las pruebas realizadas, este equipo cumple con los límites indicados para dispositivos digitales Clase A, en conformidad con la sección 15 de las normas establecidas por la Comisión Federal de Comunicaciones. Estos límites han sido implementados para ofrecer una protección razonable contra interferencias nocivas al manejar el dispositivo en un entorno comercial. Este equipo usa, genera y puede irradiar energía de radiofrecuencia, y si no se instala o utiliza de acuerdo con el manual de instrucciones, podría ocasionar interferencias nocivas para las comunicaciones radiales. Es probable que el funcionamiento de este equipo en una zona residencial ocasione interferencias nocivas, en cuyo caso el usuario deberá solucionar dicho inconveniente por cuenta propia.

El funcionamiento de este equipo está sujeto a las siguientes condiciones:

- 1 El dispositivo no debe causar interferencias nocivas.
- 2 El dispositivo debe admitir cualquier interferencia recibida, incluidas aquellas que pudieran provocar un funcionamiento incorrecto del mismo.



R-REM-BMD-201804005



Declaración ISED (Canadá)

Este dispositivo cumple con las normas del gobierno de Canadá relativas a equipos digitales clase A.

Cualquier modificación o uso indebido del mismo podría acarrear un incumplimiento de dichas normas.

Las conexiones a interfaces HDMI deberán realizarse mediante cables blindados.

Este equipo cumple con las normas descritas anteriormente al emplearse en entornos comerciales. Nótese que podría ocasionar interferencia radial al utilizarlo en ambientes domésticos.

Seguridad

Para evitar el riesgo de descarga eléctrica, este equipo debe enchufarse a una toma de corriente que disponga de un cable a tierra. Ante cualquier duda, póngase en contacto con un electricista capacitado.

A fin de reducir el riesgo de descarga eléctrica, evite exponer el equipo a goteras o salpicaduras.

Este equipo puede utilizarse en climas tropicales, a una temperatura máxima de 40 °C. Sin embargo, cabe destacar que las condiciones ideales varían entre 18 y 28 °C.

Compruebe que haya suficiente ventilación en torno a la unidad.

La reparación de los componentes internos del equipo no debe ser llevada a cabo por el usuario. Comuníquese con nuestro centro de atención más cercano para obtener información al respecto.



Evite utilizar el equipo a una altura mayor de 2000 metros.



ADVERTENCIA

El escáner Cintel puede superar los 70 kilos (155 libras) cuando contiene una bobina con una cinta cinematográfica. Este peso es significativamente mayor que el de un televisor de pantalla grande. Si no está seguro de la capacidad de la superficie escogida para soportar dicho volumen, recomendamos consultar a un ingeniero calificado con la finalidad obtener asesoramiento al respecto. La instalación incorrecta del dispositivo podría ocasionar su caída y provocar lesiones de carácter personal.

Instalación en mesas o escritorios

Al apoyar el escáner sobre una mesa o un escritorio, y en particular al situarse debajo de este para introducir los tornillos en la base, asegúrese de que dicha superficie sea plana y estable. Los accesorios empleados en la instalación deben ser lo suficientemente fuertes como para soportar el peso del dispositivo. Si la superficie escogida no presenta la solidez necesaria, el escáner podría caerse y ocasionar lesiones graves.

Instalación en paredes

Al colocar el dispositivo en una pared, asegúrese de que la superficie elegida cuenta con la resistencia necesaria para soportar un uso prolongado del mismo. Si dicha superficie se torna inestable con el transcurso del tiempo, el escáner podría caerse y ocasionar lesiones graves. No instale el equipo en lugares inapropiados. Los accesorios empleados en la instalación deben ser lo suficientemente fuertes como para soportar el peso del dispositivo. De lo contrario, este podría desplomarse, ocasionando daños de una magnitud importante.

La instalación del escáner debe ser realizada por un equipo de dos o más personas. No intente llevar a cabo esta tarea sin obtener ayuda.

Funcionamiento

El usuario debe interactuar con el equipo para colocar la cinta y ponerlo en funcionamiento. Es importante destacar que los componentes móviles del escáner pueden ser peligrosos. Mantenga los dedos y otras partes del cuerpo a una distancia prudente del dispositivo al digitalizar una película.

Declaración del Estado de California

Las partes plásticas de este producto pueden contener trazas de compuestos químicos, tales como polibromobifenilos (PBB), que el Estado de California reconoce como causantes de cáncer, anomalías congénitas o daños reproductivos.

Consulte el sitio www.P65Warnings.ca.gov para obtener más información al respecto.

Advertencia para el personal técnico



Desconecte la alimentación de ambas tomas de entrada antes de reparar el dispositivo.

Ayuda

Visite la página de soporte técnico en el sitio web de Blackmagic Design para obtener ayuda rápidamente y acceder al material de apoyo más reciente para los productos descritos en este manual.

Página de soporte técnico

Las versiones más recientes de este manual, los distintos programas mencionados y el material de apoyo se encuentran disponibles en nuestra página de soporte técnico.

Foro

Nuestro foro permite compartir ideas creativas y constituye un recurso útil para obtener más información sobre nuestros productos. Por otra parte, brinda la posibilidad de encontrar rápidamente respuestas suministradas por usuarios experimentados o por el personal de Blackmagic Design. Para acceder al foro, visite la página <https://forum.blackmagicdesign.com>.

Cómo ponerse en contacto con Blackmagic Design

Si no encuentra la ayuda que necesita, solicite asistencia mediante el botón **Enviar correo electrónico**, situado en la parte inferior de nuestra página de soporte técnico. De manera alternativa, haga clic en el botón **Soporte técnico local** para acceder al número telefónico del centro de atención más cercano.

Cómo comprobar la versión del software instalado

Ejecute DaVinci Resolve para comprobar la versión del programa instalado en el equipo informático. Para ver el número de versión, haga clic en la opción **Acerca de DaVinci Resolve** en el menú **DaVinci Resolve**.

Para comprobar la versión del sistema operativo interno que el escáner Cintel tiene instalada en su equipo informático, abra la aplicación Cintel Setup Utility y haga clic en la pestaña **About**.

Cómo obtener las actualizaciones más recientes

Después de verificar las versiones de los programas instalados, visite nuestro centro de soporte técnico para comprobar si hay actualizaciones disponibles. Aunque generalmente es recomendable descargar las versiones más recientes, evite actualizar el software si se encuentra en medio de un proyecto importante.

Informes de estado

El programa Cintel Scanner permite generar informes de estado que se pueden enviar al equipo de asistencia técnica de Blackmagic para facilitar el diagnóstico y la resolución de problemas. Por su parte, si tiene instalado un lector de audio y números KeyKode también puede generar un informe de su estado.

Para crear un informe de estado, seleccione la pestaña **About** a través del ícono de ajustes de la aplicación Cintel Setup. En la opción **Device Information**, seleccione **Create**. Se creará un archivo HTML con información sobre el estado del lector y el escáner.

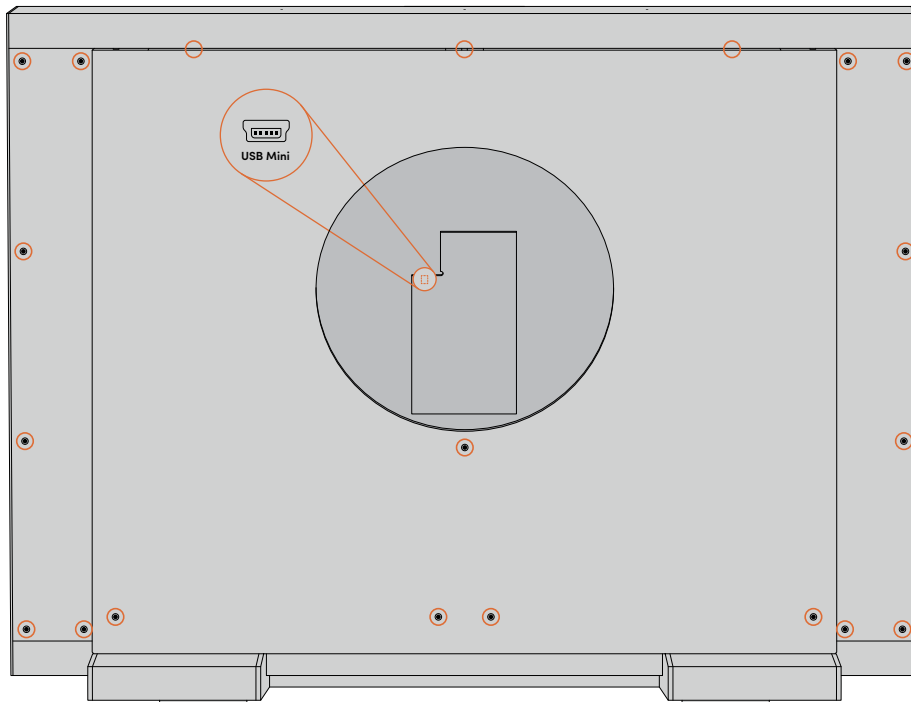
Recuperación mediante el puerto USB

Aunque es poco probable que la actualización se interrumpa o genere problemas, es posible conectar un equipo informático al puerto USB del escáner si este no responde.

Para confirmar que esta función se encuentra disponible, compruebe que el led junto al puerto Thunderbolt esté encendido de color verde. Si se prende una luz roja, póngase en contacto con el centro de asistencia técnica de Blackmagic Design.

- 1 Quite el panel trasero del dispositivo. El puerto USB se encuentra en el centro, cerca de la parte superior. Está ubicado sobre la cara de la placa de circuitos que mira hacia el frente del escáner y es visible al mirarlo desde arriba.

NOTA: Si no es posible acceder al panel trasero y es necesario mover el escáner, asegúrese de hacerlo entre dos personas y con una plataforma fuerte, ya que el dispositivo es pesado. Consulte el apartado correspondiente para obtener más información al respecto.



Quite el panel trasero para acceder al puerto USB.

- 2 Conecte su PC al escáner mediante un cable USB mini-B.

- 3 Descargue la versión más reciente del software para el dispositivo desde nuestro sitio web, instálela en el equipo informático y ábrala. Este detectará que ambos dispositivos están conectados a través del puerto USB. Haga clic en el botón **Update Now**.



Este detectará que ambos dispositivos están conectados a través del puerto USB.

- 4 Una vez finalizada la actualización, el escáner debería funcionar normalmente. Para comprobarlo, desconecte el puerto USB, luego conecte un cable Thunderbolt y a continuación reinicie el dispositivo.
- 5 Instale nuevamente el panel trasero y coloque el escáner en su posición habitual. Para obtener más información al respecto, visite la página de asistencia técnica en nuestro sitio web.

Garantía

12 meses de garantía limitada

Blackmagic Design garantiza que el producto adquirido no presentará defectos en los materiales o en su fabricación por un período de 12 meses a partir de la fecha de compra. Si un producto resulta defectuoso durante el período de validez de la garantía, Blackmagic Design podrá optar por reemplazarlo o repararlo sin cargo alguno por concepto de piezas y/o mano de obra. Para acceder al servicio proporcionado de acuerdo con los términos de esta garantía, el Cliente deberá dar aviso del defecto a Blackmagic Design antes del vencimiento del período de garantía y encargarse de los arreglos necesarios para la prestación del mismo. El Cliente será responsable del empaque y el envío del producto defectuoso al centro de servicio técnico designado por Blackmagic Design y deberá abonar las tarifas postales por adelantado. El Cliente será responsable de todos los gastos de envío, seguros, aranceles, impuestos y cualquier otro importe que surja con relación a la devolución de productos por cualquier motivo.

Esta garantía carecerá de validez ante defectos o daños causados por un uso indebido del producto o por falta de cuidado y mantenimiento. Blackmagic Design no tendrá obligación de prestar el servicio estipulado en esta garantía para (a) reparar daños provocados por intentos de personal ajeno a Blackmagic Design de instalar el producto, repararlo o realizar un mantenimiento del mismo; (b) reparar daños resultantes de una instalación errónea, el uso de equipos incompatibles o conexiones a los mismos; (c) reparar cualquier daño o mal funcionamiento provocado por el uso de piezas o repuestos no suministrados por Blackmagic Design; o (d) brindar servicio técnico a un producto que haya sido modificado o integrado con otros productos, cuando dicha modificación o integración tenga como resultado un aumento de la dificultad o el tiempo necesario para reparar el producto.

ESTA GARANTÍA OFRECIDA POR BLACKMAGIC DESIGN REEMPLAZA CUALQUIER OTRA GARANTÍA, EXPRESA O IMPLÍCITA. POR MEDIO DE LA PRESENTE, BLACKMAGIC DESIGN Y SUS DISTRIBUIDORES RECHAZAN CUALQUIER GARANTÍA IMPLÍCITA DE COMERCIALIZACIÓN O IDONEIDAD PARA UN PROPÓSITO PARTICULAR. LA RESPONSABILIDAD DE BLACKMAGIC DESIGN EN CUANTO A LA REPARACIÓN O SUSTITUCIÓN DE PRODUCTOS DEFECTUOSOS DURANTE EL PERÍODO DE LA GARANTÍA CONSTITUYE UNA COMPENSACIÓN COMPLETA Y EXCLUSIVA PROPORCIONADA AL CLIENTE. BLACKMAGIC DESIGN NO ASUME RESPONSABILIDAD ALGUNA POR CUALQUIER DAÑO INDIRECTO, ESPECIAL, FORTUITO O EMERGENTE, AL MARGEN DE QUE BLACKMAGIC DESIGN O SUS DISTRIBUIDORES HAYAN SIDO ADVERTIDOS CON ANTERIORIDAD SOBRE LA POSIBILIDAD DE TALES DAÑOS. BLACKMAGIC DESIGN NO SE HACE RESPONSABLE POR EL USO ILEGAL DE EQUIPOS POR PARTE DEL CLIENTE. BLACKMAGIC DESIGN NO SE HACE RESPONSABLE POR DAÑOS CAUSADOS POR EL USO DE ESTE PRODUCTO. EL USUARIO UTILIZA EL PRODUCTO BAJO SU PROPIA RESPONSABILIDAD.

© Copyright 2024 Blackmagic Design. Todos los derechos reservados. Blackmagic Design, Cintel, DeckLink y DaVinci Resolve son marcas registradas en EE. UU. y otros países. Todos los demás nombres de compañías y productos pueden ser marcas comerciales de las respectivas empresas a las que estén asociados.

Cintel Scanner





致用户

感谢您购买新品Cintel Scanner扫描仪!

这款全新的扫描仪能以实时扫描并处理胶片影像,与采用逐格停顿扫描方式的非实时传统扫描仪相比,它拥有更快的胶片转换速度。需要指出的是,这款扫描仪并不是一台将胶片扫描并转换成视频影像的胶转磁设备这么简单,它可以通过Thunderbolt 3或PCIe将扫描后的胶片影像直接导入DaVinci Resolve当中,以便您进行剪辑、调色、画幅重构、降噪以及提取音频等处理。

DaVinci Resolve具有比硬件控制更为强大和丰富的功能,因此通过DaVinci Resolve来操作扫描仪可以让您获得比普通胶转磁技术更富创意的控制。此外,Cintel Scanner扫描仪能充分利用DaVinci Resolve系统和主机GPU或eGPU的强劲性能,因此无需连接并安装复杂而繁琐的大型昂贵电子设备。

Cintel的扫描流程十分快捷,您只需将胶片以标准或高动态范围扫描成为RAW格式的中间文件,在时间线上将交卷影像剪接到一起,并且进行降噪、调色以及重调画幅等处理之后,就能够到DaVinci Resolve的交付页面中将文件渲染并输出为任意需要的格式。

我们还设计了一系列配件,以加速您的工作流程。选购配件Audio and KeyCode Reader比超越实时的速度扫描光学或磁性音频,同时直接将KeyCode信息导入到DaVinci Resolve片段。除此之外,这款扫描仪还能够同步到下游音频系统。

考虑到本产品可与强大的DaVinci Resolve配套使用,因此也请务必查阅DaVinci Resolve操作手册以及相关视频教程了解详情。您可以参考DaVinci Resolve用户分享的关于产品使用的大量视频教程,或者参加各供应商提供的优质培训服务。相信这些信息定能帮助您全面了解并熟练掌握DaVinci Resolve系统的操控技能。

请登录支持页面获取Cintel Scanner最新版操作手册以及内部软件更新,网址:
www.blackmagicdesign.com/cn。

A stylized, handwritten signature in black ink that reads "Grant Petty".

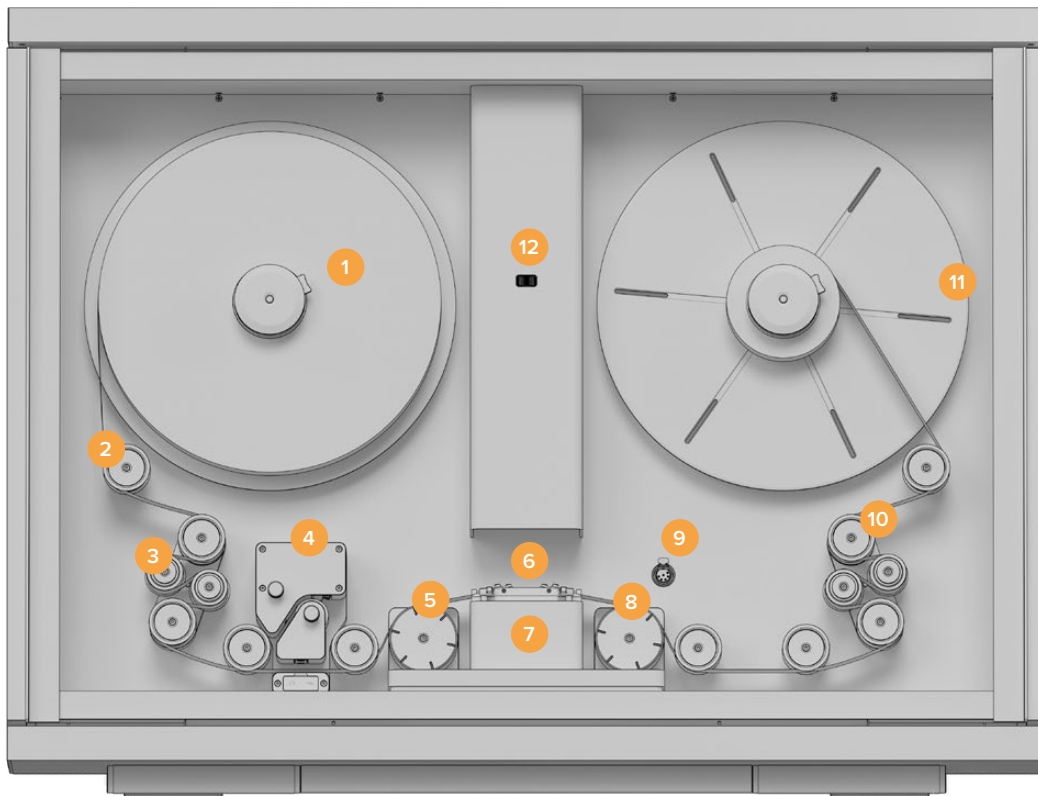
Grant Petty

Blackmagic Design首席执行官

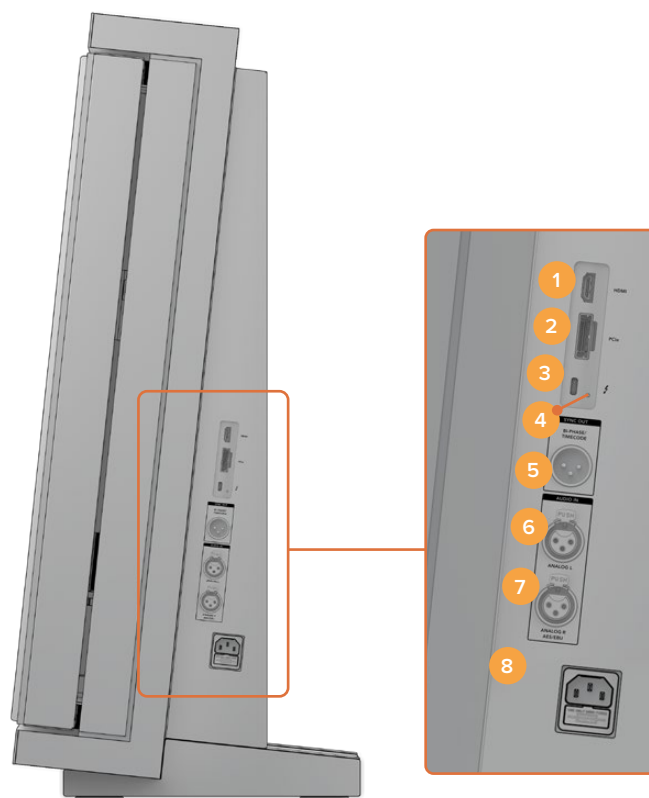
目录

拆箱及安装	667	选购配件Audio and KeyCode Reader	707
台式安装	667	安装Audio and KeyCode Reader	708
壁挂式安装	668	读取音频	710
扫描仪安全安装警示	669	设置读取装置进行音频扫描	711
开始使用	670	读取KeyCode	717
安装软件	670	设置读取装置用于KeyCode扫描	717
连接电源	670	转码成包括KeyCode元数据的DPX文件格式	718
连接到计算机	670	设备保养	720
运行DaVinci Resolve	671	清洁PTR滚轮	720
固件更新	672	清洁滚轮	720
软件开发工具包	673	除尘	721
什么是HDR?	673	清洁Audio and KeyCode Reader上的滚轮	721
驱动轮类型	674	清洁Audio and KeyCode Reader的磁头	722
穿片	674	更换磁头	723
使用扫描仪	678	更换磁头PCB	725
卷片类型	678	重置磁头运行时间	729
更换为16mm规格	679	检查磁头对齐情况	729
更换为8mm规格	681	在DaVinci Resolve中处理片段	734
在各种8mm胶片标准规格之间切换	682	项目管理器	734
胶片路径的张力螺丝	684	使用快编页面剪辑	735
播放控制	685	将片段添加到时间线	738
待机模式	686	在时间线上修剪片段	739
使用DaVinci Resolve采集	686	音频修剪视图	740
Cintel扫描仪界面	686	添加标题	740
胶片控制	687	使用Blackmagic RAW文件	741
调整光源	690	使用调色页面为片段调色	745
图像稳定功能	691	添加Power Window	748
胶片保护	694	使用插件	750
编辑采集信息和元数据	694	在剪辑页面混合音频	750
胶片扫描工作流程	696	Fairlight页面	751
调整扫描仪色彩	700	在Fusion页面添加视觉特效和合成效果	756
扫描一段或多段胶片内容	701	Fusion使用入门	758
提取音频	702	制作母版剪辑	764
音频提取设置	703	快速导出	764
色彩空间和画面大小调整	705	交付页面	765

自动除尘	766	高级控制	776
主要控制	766	降噪	777
微调控制	767	时域降噪控制工具	777
热像素修复	767	时域阈值控制	777
常用设置	768	空域降噪控制工具	778
补丁类型	769	空域阈值控制	779
补丁选项	770	全局混合	779
高级控制	770	使用降噪处理	780
去闪烁	771	物体移除	782
主要参数	771	技术参数	784
时域降噪	771	监管声明	787
速度优化选项	772	安全信息	788
去闪烁后恢复原始细节	772	帮助	790
输出	773	如何获得更新	790
除尘	773	创建状态报告	790
常用设置	774	USB恢复	791
补丁类型	775	保修	793
补丁选项	776		



1. 片芯弹簧夹 2. 滚轮 3. PTR滚轮 4. 选购配件Audio and KeyCode Reader
 可通过左侧配件接口安装 5. 张力卷片滚轮 6. 保护板 7. 光源
 8. 驱动轮 9. 定位销扩展端口 10. 顺片轮组 11. 片卷背板 12. 对焦轮



1. HDMI 2. PCIe 3. Thunderbolt 3 4. 电源状态 5. 双相位同步 / 时间码输出
 6. XLR3音频输入1 7. XLR3音频输入2 8. 电源接口

拆箱及安装

欢迎使用新品Cintel Scanner!

开始使用扫描仪之前, 请先拆去产品外包装, 并小心将扫描仪放置在平稳桌面或靠于墙面。扫描仪底座支架下方设有安装孔, 可在使用台式安装方案时提供更好的稳定效果。扫描仪后面板上也设有安装孔, 可用于将产品牢牢固定于墙面。

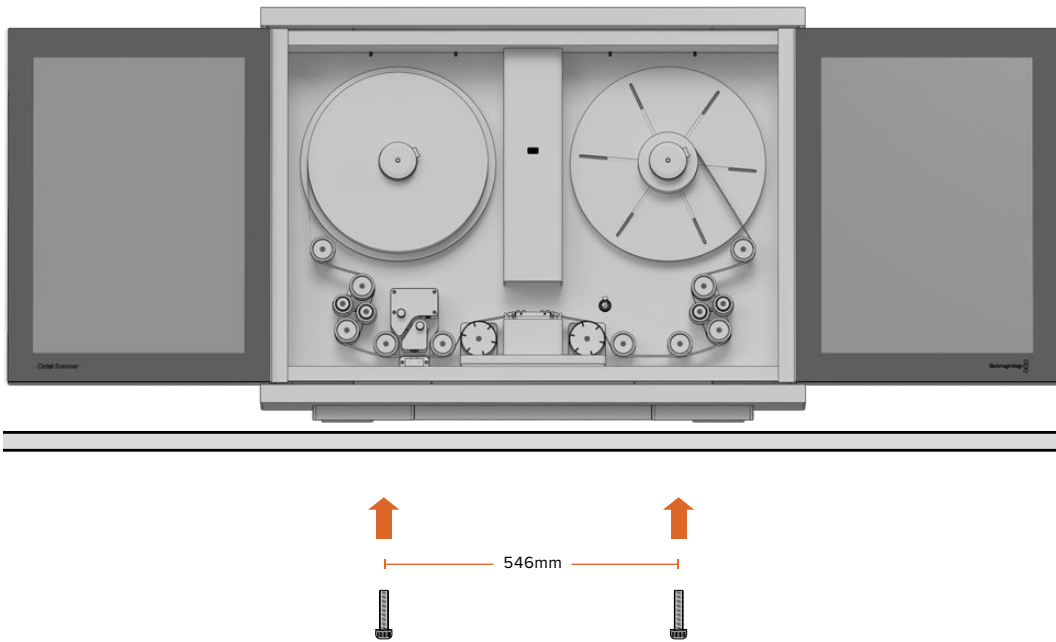
打开扫描仪包装箱之后, 您会发现保护产品的泡沫垫上留有一定空间, 这是为了方便您握住扫描仪并稳妥地将其取出。

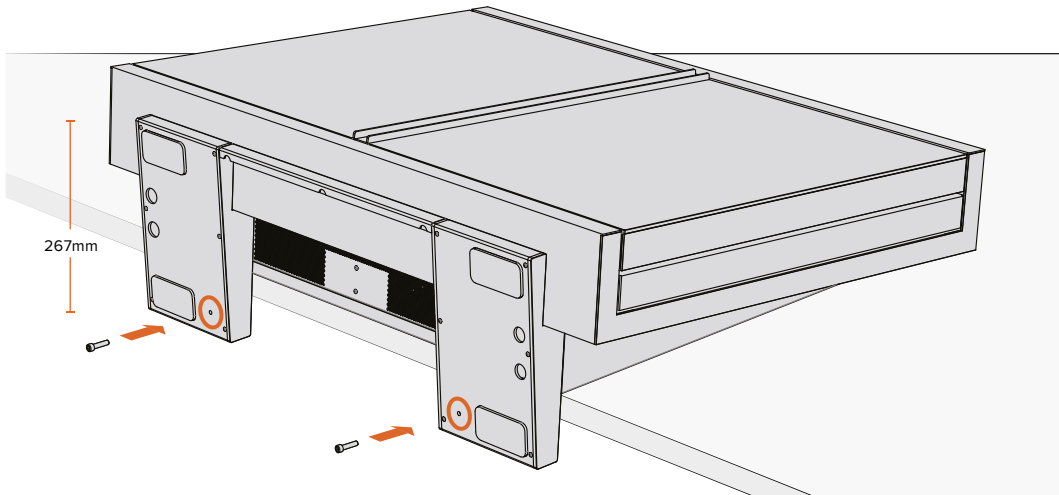
请注意, Cintel重量超过60公斤, 约合130磅, 因此不宜由单人进行拆箱搬运操作。所有抬起和搬运操作均需由二人使用正确的屈膝和保持背部挺直等搬抬技巧, 并且按照操作步骤来共同完成。

小心将扫描仪从包装箱中取出后, 请将产品正面朝上放置于平整、稳定的表面上, 足以承受产品重量。

台式安装

为获得更稳定的安装方案, 您可以使用扫描仪底座支架的安装点, 将扫描仪固定于工作台上。要选用这一安装方案, 您需要在桌面或工作台上钻两个固定孔, 插入两枚M6保险螺栓, 将其旋入扫描仪底座支架下的安装孔并旋紧加以固定。这样可让扫描仪牢牢固定在原位, 防止发生移动。





采用台式安装方案时，您可以将M6保险螺栓旋紧至扫描仪底座支架下的固定孔，从而将其牢固固定在工作台上。

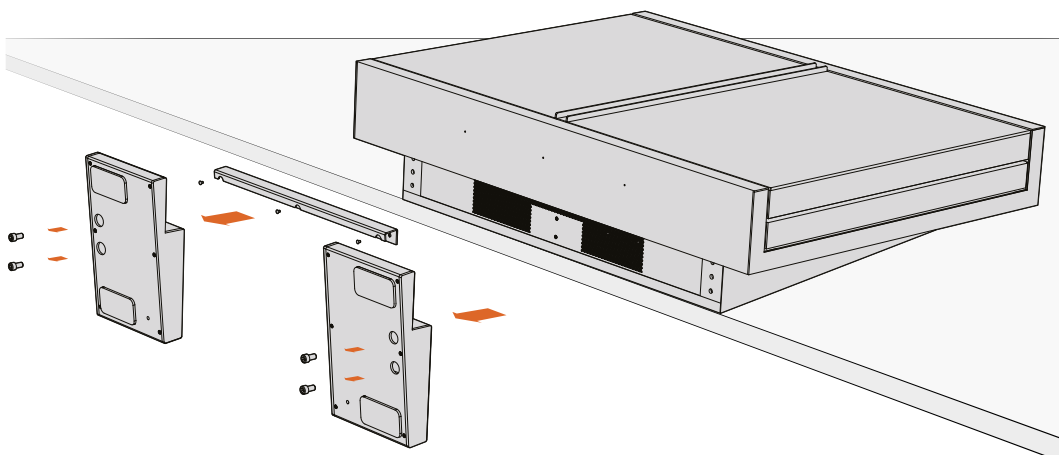
备注 为保证您的安全，我们强烈建议您在安装Cintel Scanner扫描仪之前先阅读下一页的信息。

壁挂式安装

Cintel采用优雅的工业设计，拥有纤薄的机身，非常适合壁挂式安装方案。

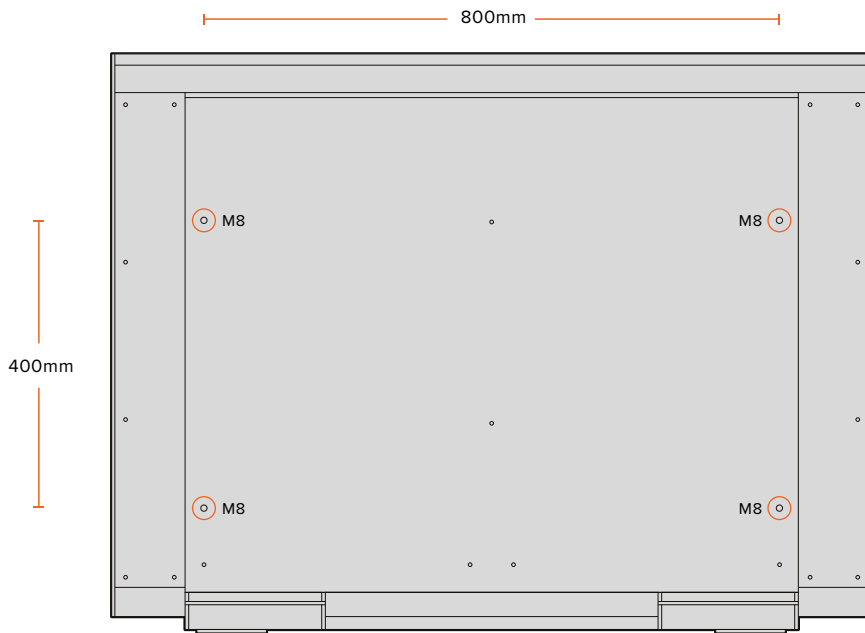
要选用这一安装方案，您首先需要移除扫描仪底座的支架及支撑杆。

- 1 将扫描仪正面朝上放置于平整稳定的表面，并将设备的两个底座支架露于桌面边缘外侧，同时请确保露出部分的重量平衡。
- 2 使用6毫米规格的六角扳手松开扫描仪底座支架上的两枚M8螺丝，然后轻轻卸下底座支架。
- 3 使用十字螺丝刀卸下支架之间的支撑杆。请将支撑杆和支架一同妥善保管，以便日后想要再次安装时能便于查找。



如果您想将扫描仪固定于墙面，只要卸下扫描仪的台式支架和支撑杆即可。

扫描仪后面板上的四枚M8规格螺丝固定位置如下图所示。将扫描仪安装到墙面上时, 请务必使用M8规格的螺丝进行固定。M8螺丝长度不应超过25mm。



扫描仪安全安装警示

安装有胶片时, Cintel Scanner的重量可达到155磅, 约合70公斤, 因此要比大屏幕电视机重很多。如果您不确定墙面或桌面的承重能力是否足以承受安装有胶片的扫描仪总重量, 请务必向具有相关资质的工程师进行咨询, 以便准确分析安装可行性, 从而保证安全。错误的安装将会造成扫描仪掉落, 从而造成严重伤害甚至导致死亡。

如采用台式安装方案, 尤其是当您在扫描仪下方安装台式固定螺丝时, 请确保工作台平整并且稳固。固定支架和配件必须具备足够的承重能力, 以充分支撑扫描仪的重量。如果您的工作台不足以承受扫描仪的重量, 或因年久而老化, 就可能会导致扫描仪掉落, 继而可能导致严重的人身伤害。

采用壁挂式安装方案时, 请确保扫描仪的安装位置足以经受常年使用。如墙面因常年安装有壁挂设备而变得不足以承受设备重量, 扫描仪可能会掉落, 继而可能导致人身伤害。因此, 请勿将设备安装在无法承重的位置。固定支架和配件必须具备足够的承重能力, 以充分支撑扫描仪的重量。如果安装表面的强度不足以承受设备的重量, 扫描仪可能会掉落, 继而可能导致人身伤害。

扫描仪的台式方案和壁挂式方案均须二人以上方可安装, 切勿独自一人安装设备。

开始使用

拆箱并安装了扫描仪后, 只要连接电源, 并通过Thunderbolt接口连接计算机, 然后运行Blackmagic DaVinci Resolve, 再完成穿片即可开始使用。如果您想要立即通过外接监视器查看扫描影像, 请装载胶片, 并手动拉紧, 然后输出到HDMI监视器即可。详情请参考本手册“穿片”以及“播放控制”部分的内容。

安装软件

扫描仪的采集控制位于DaVinci Resolve的胶片扫描仪设置面板。因此, 准备好进行采集前, 您首先需要做的就是下载并安装DaVinci Resolve Studio。扫描仪附带DaVinci Resolve加密狗, 以便您使用完整版DaVinci Resolve。

请前往Blackmagic Design的支持中心下载最新版Cintel Scanner软件, 网址:
www.blackmagicdesign.com/cn/support。

下载完成后, 请解压缩文件并双击, 打开初始设置文件夹。接下来, 请运行初始设置文件夹当中的安装文件, 根据屏幕提示将软件安装到计算机上。

您也可以使用Cintel Scanner SDK开发自己的软件来控制Cintel Scanner扫描仪, 将它集成到您的工作流程当中。更多相关信息, 请查阅“软件开发工具包”部分的介绍。

连接电源

将所有需要的软件安装到您的计算机上之后, 请为扫描仪连接电源, 以便您开始穿片步骤。

使用标准IEC线缆连接扫描仪后面板右下方的AC电源接口后, 扫描仪的电源提示LED灯将会闪烁绿光, 表示电源已连接。

连接到计算机

您可以通过两种方法将Cintel Scanner连接到主计算机上。Thunderbolt 3端口可以用于连接Windows和Mac计算机; 如使用Blackmagic Design生产的PCIe线缆套件, 则可通过PCIe外部端口连接Windows和Linux计算机。您也可以通过扫描仪的HDMI端口连接外接监视器, 以便进行画面对焦或预览。Thunderbolt 3、PCIe和HDMI端口位于扫描仪右侧机身下方。

运行DaVinci Resolve

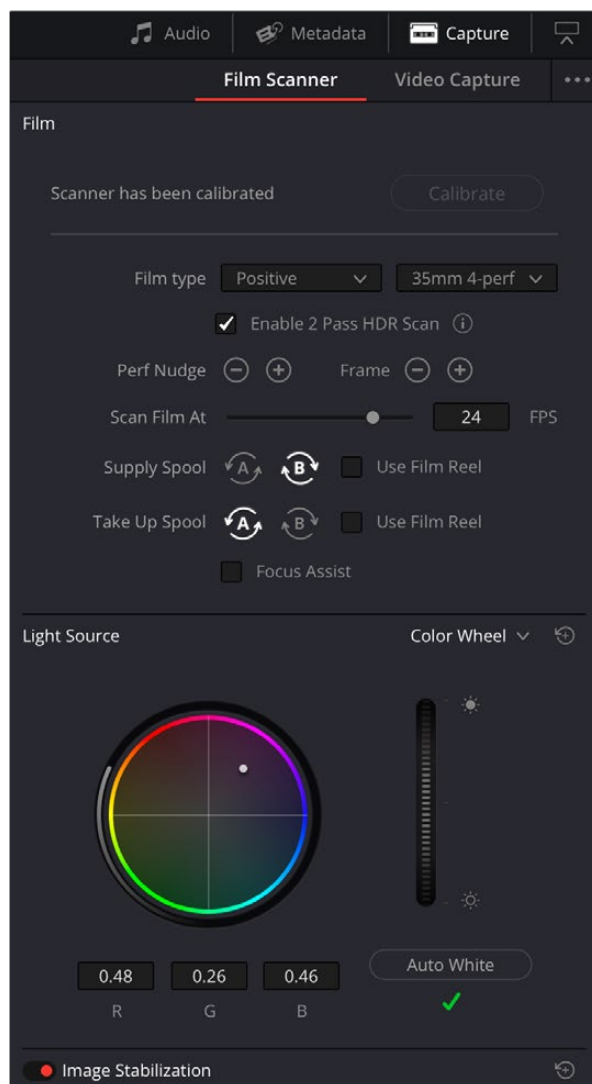
运行DaVinci Resolve并选择“媒体”页面。点击屏幕右上方的“采集”按钮，然后选择“胶片扫描仪”，打开DaVinci Resolve的胶片扫描仪面板。

扫描仪将采集大量图像数据，因此您需要选择一个文件夹，以便DaVinci Resolve保存采集到的文件。

具体步骤如下：

- 1 运行DaVinci Resolve。
- 2 点击DaVinci Resolve菜单栏的“偏好设置”选项。
- 3 点击“媒体存储”选项卡中的加号图标。浏览并选择一个驱动或文件夹路径。
- 4 点击“保存”，然后重启DaVinci Resolve。

更多关于如何使用DaVinci Resolve的胶片扫描仪面板中各项控制功能的相关信息，请阅读本操作手册中名为“从DaVinci Resolve采集”的章节。



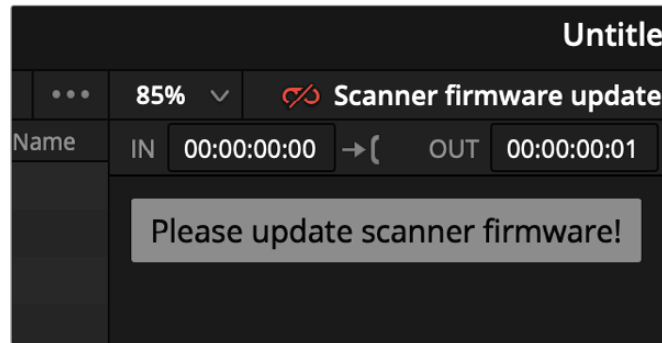
DaVinci Resolve胶片扫描仪面板可控制所有采集设置。

固件更新

Cintel Scanner和Audio and KeyCode Reader都含有在您计算机上安装Cintel Scanner软件之后可能需要更新的内部固件。

Cintel Scanner

在计算机上安装Cintel Scanner软件并连接Cintel Scanner之后, 设备会告知您的扫描仪固件是否需要更新。



当Cintel Scanner被锁定时, DaVinci Resolve会显示一条信息

Audio and KeyCode Reader

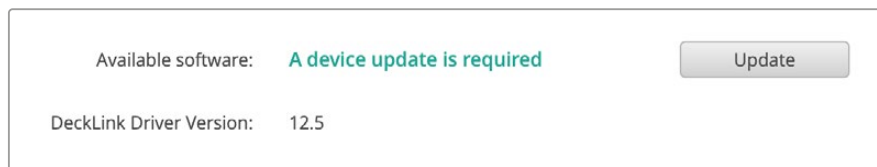
当需要固件更新时, KeyCode Reader会锁定, 并且DaVinci Resolve会显示一条信息, 提示您更新KeyCode Reader的固件, 类似于上一张图片中显示的固件更新。

进行固件更新

Cintel Scanner和Audio and KeyCode Reader上的固件软件更新可通过Cintel Setup实用程序进行管理。

Cintel Scanner或Audio and KeyCode Reader的固件更新步骤如下:

- 1 为Cintel Scanner连接电源, 并将其连接到计算机的Thunderbolt 3或PCIe端口。
- 2 如果您更新Audio and KeyCode Reader, 请将其通过USB-C线缆连接计算机。
- 3 运行Cintel Setup实用程序, 选择扫描仪或音频设备。
- 4 点击“Settings” (设置) 按钮, 然后前往“Setup” (设置) 选项卡。如果有更新版本, 请点击“Update” (更新) 按钮。



“Setup”选项卡可显示是否有新的固件版本供Cintel Film Scanner或Cintel Audio and KeyCode Reader更新。

固件目前已是最新版本, 可提供最新的设置、功能以及兼容性。

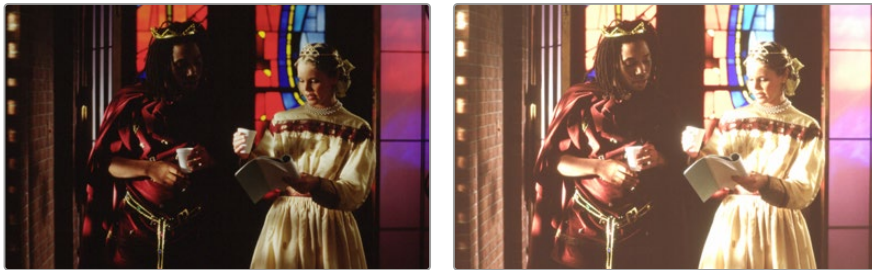
软件开发工具包

Blackmagic Design为您的扫描仪提供免费软件开发工具包。这款SDK支持跨平台, 因此您的软件可在Mac、Windows或Linux上运行。SDK提供范例应用程序, 让您可以在DaVinci Resolve里一样控制扫描仪, 只不过是通過命令行来实现。

您可以使用Cintel Scanner SDK开发软件, 从而控制扫描仪、修改设置、启动扫描、处理片段。扫描仪附赠DaVinci Resolve Studio, 您也可以使用SDK自行开发软件, 以便在不符合DaVinci Resolve推荐规格的电脑上运行扫描仪。请登录开发人员页面了解更多信息, 网址: www.blackmagicdesign.com/cn/developer

什么是HDR?

HDR的英文全称为“High Dynamic Range”, 即“高动态范围”, 是将不同曝光度的多个画面结合在一起, 从而扩展画面总体动态范围, 并且改进降噪的一种技术。扫描仪会通过两次处理执行HDR扫描。第一次以正常曝光度扫描。第二次以超高曝光度扫描, 可以为正片的低光部分和负片的高光部分获得更多细节。当正常曝光度和高曝光度混合在一起时, 得到的结果是位深更高的图像。



左图为正常曝光扫描, 右图为高曝光扫描。

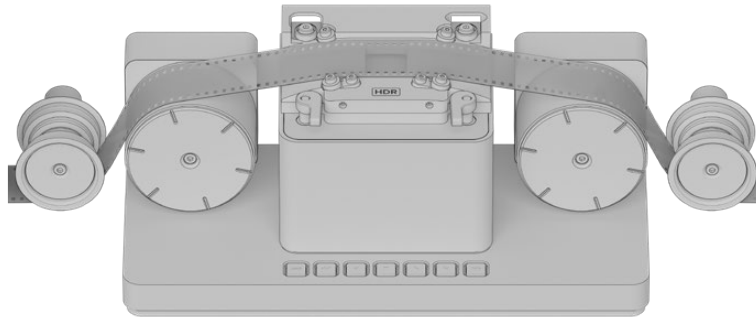


上面两幅画面扫描自相同帧, 并且放大展示了标准扫描(左图)和HDR扫描(右图)的区别。HDR扫描的噪点更少, 色彩更准确, 暗部和高光细节也更突出。

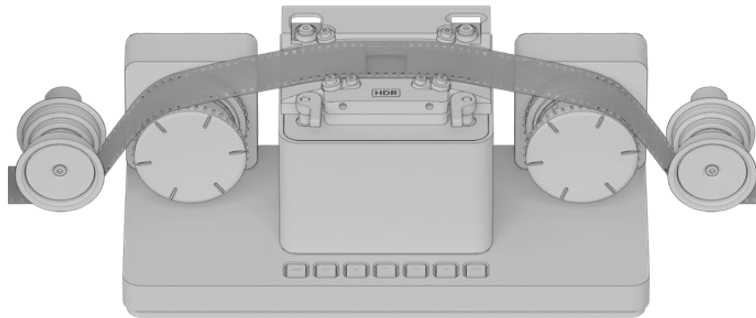
高精度HDR片门和图像稳定器通过高品质缩放过滤器, 以子像素级的准确度对齐初次扫描和高曝光度扫描, 获得没有对齐伪影的HDR片段。

驱动轮类型

Cintel Scanner出厂自带卷片滚轮或者扣片齿轮，具体视扫描仪型号而定。这两类驱动轮都可以旋转带动胶片前进或后退走带，停止时可准确地将每一帧对齐图像传感器的片门。驱动轮和扫描仪集成安装，因此无法更换成不同种类的驱动轮。



卷片滚轮可以借助适中的摩擦阻力带动胶片，这样的走带方式相对温和，比较适用于脆弱的老胶片或齿孔受损的胶片



扣片齿轮则是通过一组齿轮齿扣住胶片上的齿孔来带动胶片，不接触胶片中的图像部分

前方的驱动轮负责带动胶片，后方的驱动轮则负责施加张力平衡，确保胶片在保护板上流畅顺滑地通过。两组驱动轮在Cintel Scanner上对称分布，可帮助胶片向前或向后均匀、精准地以不同速度进行传输。

穿片

现在，扫描仪和DaVinci Resolve已成功建立连接，接下来请您完成穿片步骤。

如何使用扫描仪

打开扫描仪的两扇移门。

扫描仪内部前面板的左侧设有进片片卷，右侧则设有出片片卷。进片片卷上放的是待扫描的胶片，出片片卷上放的则是已扫描的胶片。

设置胶片卷片

请妥善设置“卷片类型”，以便片卷朝相应的方向滚动。到DaVinci Resolve的胶片扫描仪设置面板中，点击“进片片卷”和“出片片卷”按钮上的“B”和“A”图标，可将“卷片类型”设置为B/A类型。

B/A是扫描仪的默认卷片类型，使用该类型时，进片片卷会沿顺时针方向转动，而出片片卷则会沿逆时针方向转动。详情请参阅本手册“卷片类型”部分的内容。

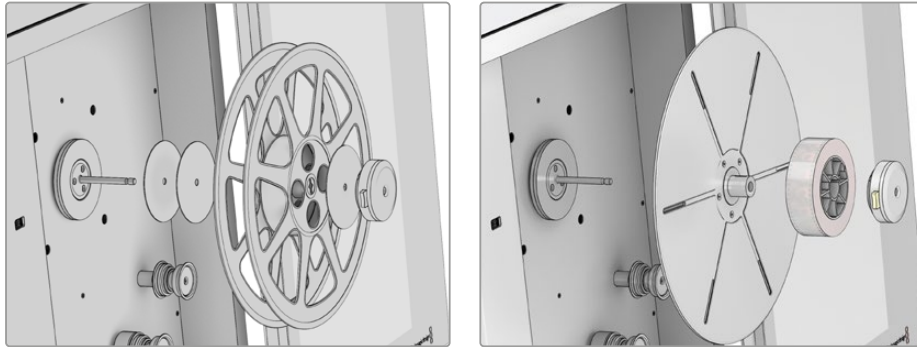
请借此机会检查并确认胶片类型和片幅是否设置正确。您可以在DaVinci Resolve的胶片扫描仪设置面板中选择适合的胶片类型和标准规格，还可以选择8mm、16mm、35mm片幅以及各类齿孔排列布局。

安装出片片卷

将内附的75mm规格片卷片芯和片芯弹簧夹滑入扫描仪的出片控制轴上。安装并固定片芯弹簧夹时，请按住弹簧夹按钮并同时将其推入控制轴，感觉到有阻力后，请松开该按钮，再继续将片芯弹簧夹往同一方向顺势推入，直至听到固定到位的声音。

装载胶片

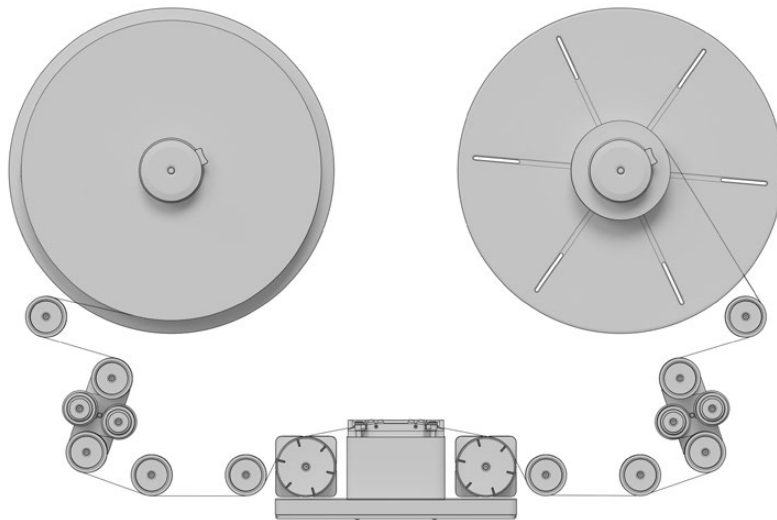
请按照第三步中介绍的操作步骤，将胶片卷或片芯安装到进片控制轴上。请注意，具体取决于您使用的是片芯还是片卷类型的胶片，以及胶片是35mm、16mm或是8mm规格，操作步骤会稍有不同。例如，安装使用片芯的胶片时，您需要插入产品内附的背板；而安装使用片卷的胶片时，您只需使用垫片即可。



以上分别是装载35mm胶片片卷和装载35mm胶片片芯的展示图。安装使用片卷的胶片时，无需安装背板，只需使用产品内附的垫片即可。安装使用片芯的胶片时，需要安装产品内附的背板。

穿片

请根据下面的指引，取几英尺长的牵引片，将其小心穿过扫描仪的滚轮。



扫描仪默认的B/A卷片方式是从进片片卷的底部向出片片卷的顶部传送装载胶片。

拉紧胶片

为了使胶片固定在出片片卷上, 请将胶片尾端插入片卷上自带的小槽口中, 然后轻轻用手卷动片卷数次, 直至胶片拉紧到位。

如果您不想槽口内的胶片尾端弯折, 只需利用胶片的摩擦力自行卷动来使其固定到片卷上即可。您也可以使用粘性较弱的胶带纸加以固定。

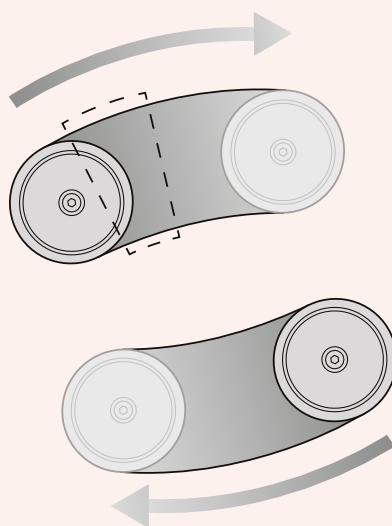
开始拉紧胶片时, 请按“LOAD”按钮, 或者同时手动转动进片和出片片卷。

手动拉紧

手动拉紧胶片时, 您会注意到每个片卷下方的顺片轮组会开始移动, 如下图所示。当轮组移动至三分之一距离处时, 请将双手在当前片卷位置停留一到两秒。然后, 扫描仪会检测并固定出片片卷上的胶片, 并自动激活其拉紧功能, 完成接下来的胶片拉紧工作。

如果您在手动或自动加载的过程中发现任何问题, 可以再次按下“LOAD”按钮或紧握进片或出片片卷不让其移动, 即可取消胶片的加载步骤。

不论您采取上述哪种操作方式, 扫描仪都会识别到操作并终止胶片加载。



手动拉紧胶片时, 您只需使用适当的力度, 让顺片轮组移动至有效点, 也就是略少于一半的距离即可。接下来, 扫描仪将自动完成剩余的所有胶片拉紧操作。

检查胶片

要检查胶片是否穿片妥当, 请按下扫描仪的播放按钮, 或者点击DaVinci Resolve胶片扫描仪面板中的“播放”按钮即可。如果软件的检视器或者所连接的HDMI监视器上开始播放胶片影像, 则表示您的扫描仪运行正常。

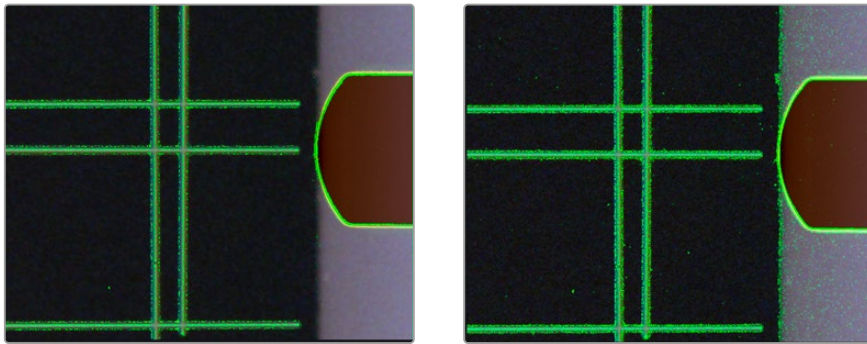
根据具体的卷片方式, 您可能会发现图像出现横向或纵向翻转的情况。只需选择正确的胶片类型即可更正这一现象。例如, 负片可能会出现左右反向的画面, 如遇此类情况, 只需选择“负片”设置即可。要加以更正, 您需要选择相应的胶片类型, 可能还需使用不同的卷片类型来重新加载胶片。

想检查Cintel Scanner G3 HDR+上被扫描胶片的状态, 可长按停止或播放按钮2秒。这样会开启检查模式, 可减弱胶片上的光源强度, 从而让您可以看到胶片上的任何瑕疵、污痕或刮痕。这样您就可以全面检查胶片, 并考虑是否需要清洁或修复胶片卷。

对焦

与摄影镜头的对焦一样, 您需要将投射到扫描仪传感器上的胶片影像进行聚焦。对焦轮位于扫描仪的中间位置。获得精准对焦的最佳方式是使用DaVinci Resolve胶片扫描仪面板里的“对焦辅助”功能。该功能和Blackmagic摄影机系列的峰值对焦功能类似, 可在图像最清晰的部分显示绿色边缘。这样能更方便您调整对焦, 直到绿色高光显示最明显为止。

只要启用DaVinci Resolve胶片扫描仪面板中的复选框来启用对焦辅助功能, 然后再一边调整对焦轮, 一边查看Cintel Scanner通过HDMI接口输出的画面, 或者查看胶片扫描仪面板中的检视器即可。胶片上的颗粒可以作为非常好的参照。当胶片上的颗粒显示出最明显的绿色边缘时, 就说明您的图像已准确对焦。



胶片颗粒非常适合在使用“对焦辅助”功能时作为非常准确的对焦参照。在上面的例子中, 您可以看到, 左图未准确对焦, 右图则准确对焦。对焦辅助功能可高光显示胶片的颗粒, 它们在齿孔内部最为明显。

使用负片胶片类型时, 对焦辅助功能最为有效, 这是因为负片的拥有细腻的颗粒细节, 通常更加锐利。

为了更好地利用对焦辅助功能, 请将检视器设置为全分辨率。只要点击检视器右上角的选项设置, 然后从菜单中选择“全分辨率预览”即可。

需要指出的是, 全分辨率预览会一直处于启用状态, 除非您将其禁用。这一设置非常消耗GPU, 并且会影响检视器的性能表现, 例如画面可能会出现卡顿的不流畅现象, 因此较好的办法是使用全分辨率来查看对焦情况, 然后再关闭全分辨率以获得更好的性能。

关闭扫描仪的移门

为获得最佳扫描质量,我们建议您关闭扫描仪的两扇移门。扫描仪的移门采用贴心设计,可在双门非常接近时降速轻缓关闭,因此您只需将其双门相向滑动,直至感觉到移门启用弹簧缓冲装置即可松手。关闭移门可有效阻挡光线进入片门。

大部分情况下,扫描仪配备的高品质光源足以减少周围环境的光污染干扰。但是,如果工作间采用明亮灯光,那么光滑的胶片表面就会反射天花板的灯光,这可能会导致采集的图像中出现斑点。要避免这一现象,请在进行扫描工作时关闭扫描仪的移门。

完成穿片、拉紧胶片和图像对焦,并关闭扫描仪的移门之后,您就可以开始扫描工作了!

请查阅DaVinci Resolve参考手册中的Cintel章节,了解更多关于光源校准、稳定器设置以及图像采集面板设置功能方面的信息。DaVinci参考手册还详细介绍了如何同步光学音轨,以及如何在扫描时管理采集文件的内容。

如果您需要了解扫描仪维护和保养方面的信息,包括扫描仪的详细技术参数,请参考本手册最后的“设备保养”和“设备参数”章节的信息。

使用扫描仪

本章将为您介绍如何为8mm和16mm胶片装载不同的胶片卷片类型,如何安装和调整选配的8mm和16mm片门套件,以及如何使用Cintel Scanner上的本地播放控制等内容。

卷片类型

“卷片类型”是指胶片装载和卸载的位置,以及胶片的走带方向是朝向扫描仪的进片片卷还是出片片卷。如下图所示,A类卷片方式是指从片卷上方装载或卸载胶片,而B类卷片方式是指从片卷下方装载或卸载胶片。片卷指的是进片和出片片卷。

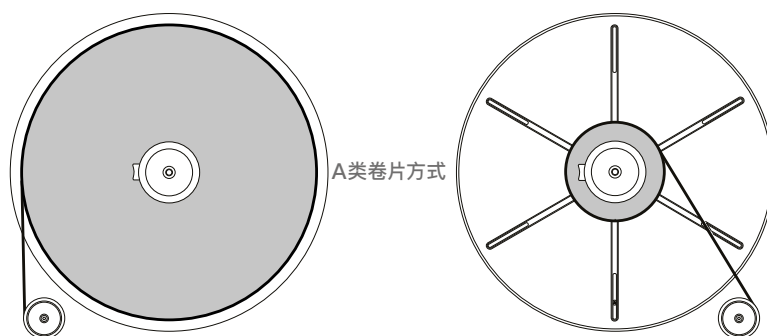
扫描仪的默认卷片方式是B/A式卷片,也就是从进片片卷底部卸载胶片,然后从出片片卷的顶部加载胶片。扫描仪也支持其他的A类和B类卷片组合,因此如果您使用的胶片采用的是不同的卷片方式,只需到DaVinci Resolve的胶片扫描仪面板中选择“进片”或“出片”按钮,从而选中合适的卷片方式即可。

卷片方式会影响每个片卷的转动方向、音频信息和齿孔的位置,以及胶片在通过保护板时,其乳剂面是朝上还是朝下。因此,请务必根据您的项目要求进行妥善设置。

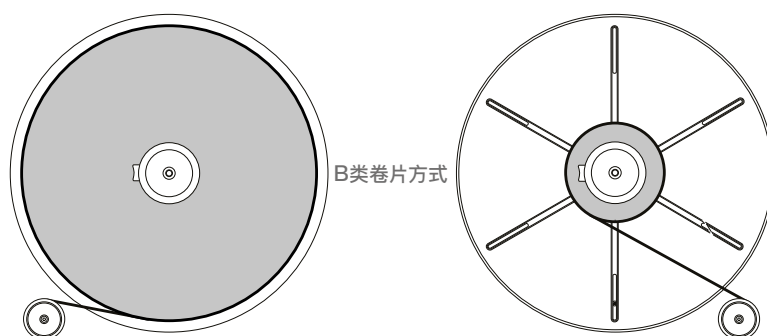
在DaVinci Resolve的胶片扫描仪设置面板中选择合适的卷片类型。

进片片卷

出片片卷



A类卷片方式



B类卷片方式

区分A类和B类卷片方式很简单，A类卷片方式是从片卷的顶部出片，而B类卷片方式是从片卷的底部出片。

更换为16mm规格

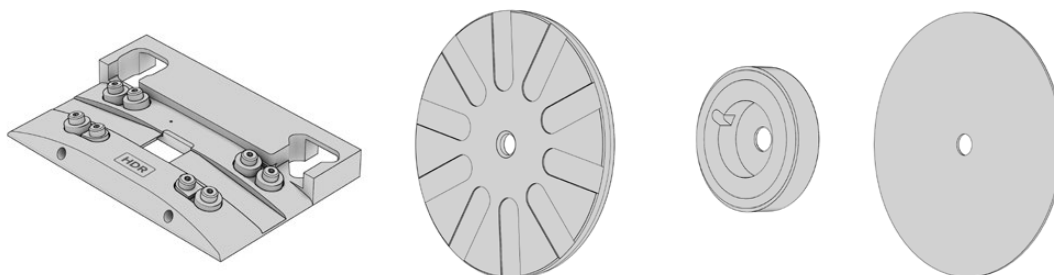
选购配件Cintel Scanner 16mm Gate片门套件中包含全面的零件，可让您轻松完成更换操作，并能最大程度简化扫描仪的设置步骤。

16mm保护板

16mm内侧垫片

外侧垫片

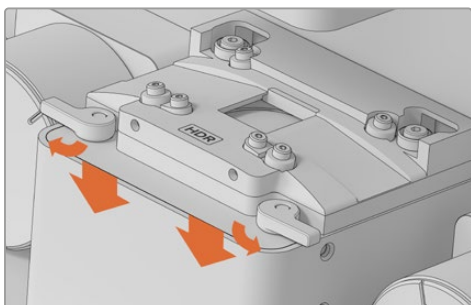
1mm垫片



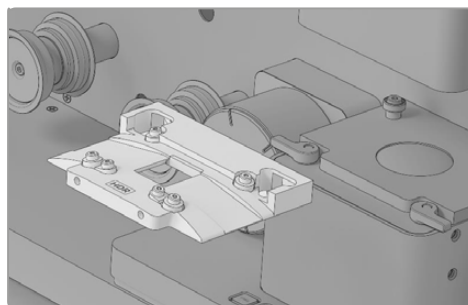
16mm工具包内含一块16mm规格的保护板、2个16mm垫片、2个16mm外侧垫片和4个1mm垫片。

更换保护板

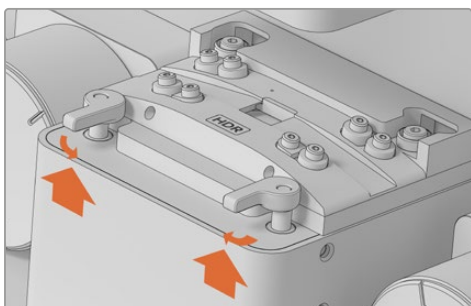
要将35mm规格保护板更换为16mm规格保护板，请向下推按35mm规格保护板正面前方的两个锁定杆，并将其转向外侧。然后，卸下35mm规格保护板，并替换上16mm规格保护板。固定保护板时，请确保完全抬起锁定杆，再将它们转向内侧，否则保护板可能会无法安装到位。



取下保护板时，您需要按住两侧的锁定杆，并将它们向外侧转动



移除35mm保护板，安装16mm保护板



提起两侧锁定杆并将它们向内侧转动到底后，即可固定保护板

插入16mm内侧垫片

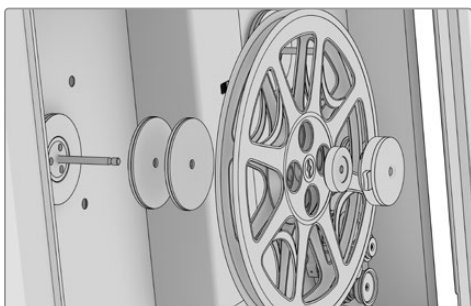
将16mm的橡胶内侧垫片插入进片和出片片卷的底座。将橡胶垫片的凹槽面朝向内侧安装，然后依次安装背板、片卷或盘卷。

选配备用垫片

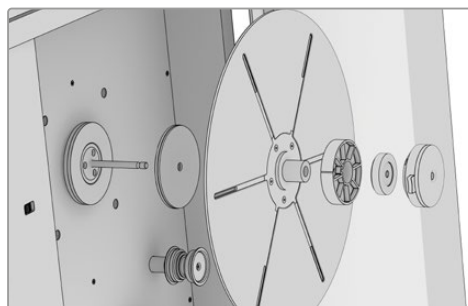
16mm Gate Kit片门套件中还包含1mm规格的橡胶垫片，可在安装胶卷盘卷时使用。需要调整并对齐胶片 and 扫描仪的滚轮时，就可以使用这些垫片。

安装胶片

将16mm胶片的片芯或片卷安装到进片片卷，并且将背板和片芯安装到出片片卷之后，您就需要安装外侧垫片来固定片卷。垫片的内侧边缘设有一个槽口和橡胶环，以便和片芯或片卷固定。完成该步骤后，请相应固定片卷。



片卷安装图示，从控制轴开始向外依次为：2个16mm内侧垫片，16mm片卷，外侧垫片，以及片芯弹簧夹



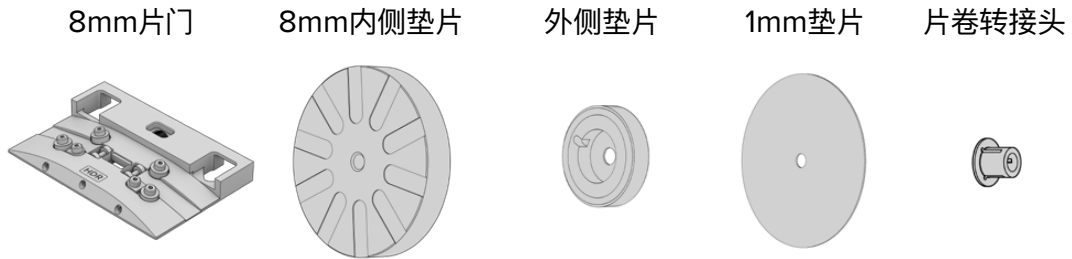
片芯安装图示，从控制轴开始向外依次为：16mm内侧垫片，背板，16mm片芯，外侧垫片，以及片芯弹簧夹

穿片

按照35mm胶片的穿片步骤完成穿片。请先确保16mm胶片已和驱动轮贴合到位，然后再按下“LOAD”按钮或手动拉紧胶片，防止胶片受到损坏。

更换为8mm规格

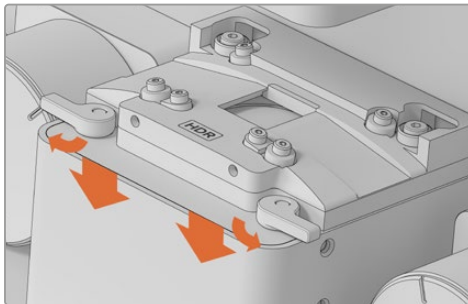
选购配件Cintel Scanner 8mm Gate片门套件中包含全面的零件，可让您轻松完成更换操作，并能最大程度简化扫描仪的设置步骤。



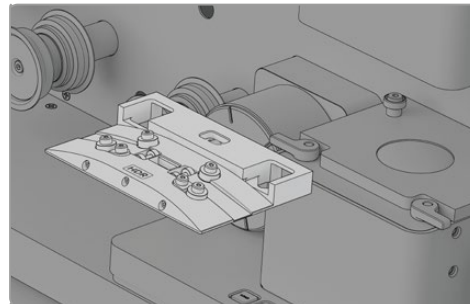
8mm套件包括8mm片门、2个8mm内侧垫片、2个外侧垫片、4个1mm垫片和2个8mm转Super 8mm片卷转接头

将保护板更换为8mm片门

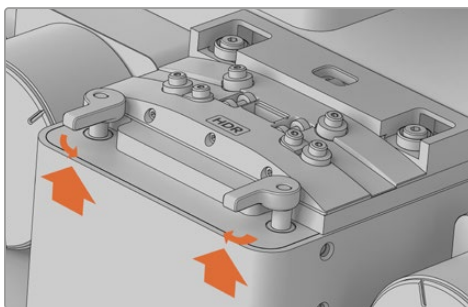
要将保护板更换为8mm片门，请向下推按保护板正前方方的两个锁定杆，并将其转向外侧。下面将其卸下并换上8mm片门。固定片门时，请确保完全抬起锁定杆，再将它们转向内侧，否则片门可能会无法安装到位。



取下保护板时，您需要按住两侧的锁定杆，并将它们向外侧转动



移除35mm保护板，安装8mm片门



提起两侧锁定杆并将它们向内侧转动到底后，即可固定片门

插入8mm内侧垫片

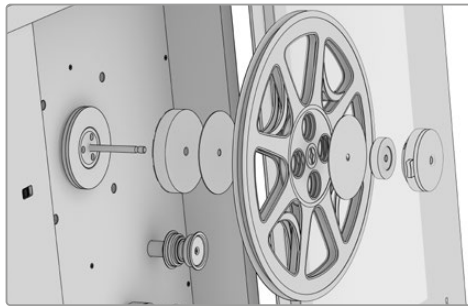
将8mm的金属内侧垫片插入进片和出片片卷的底座。将橡胶垫片的凹槽面向内侧安装, 然后再安装片卷。

选配备用垫片

8mm Gate Kit片门套件中还包含1mm规格的橡胶垫片, 可在安装不同类型的片卷时使用。需要调整并对齐胶片片卷和扫描仪的滚轮时, 可以根据需要在片卷两侧使用这些垫片。

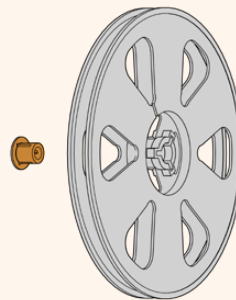
安装胶片

将8mm胶片卷安装到进片片卷, 并且将空的胶片卷安装到出片片卷之后, 您就需要安装外侧垫片来固定片卷。完成该步骤后, 请照常固定片卷。



片卷安装图示, 从控制轴开始向外依次为: 8mm垫片、1mm垫片、8mm片卷、1mm垫片、外侧垫片和片芯弹簧夹

提示 如果您要安装Super 8mm胶片, 请为每个片卷使用所提供的Super 8mm片卷转接头。转接头可确保片卷准确地安装在控制轴上。

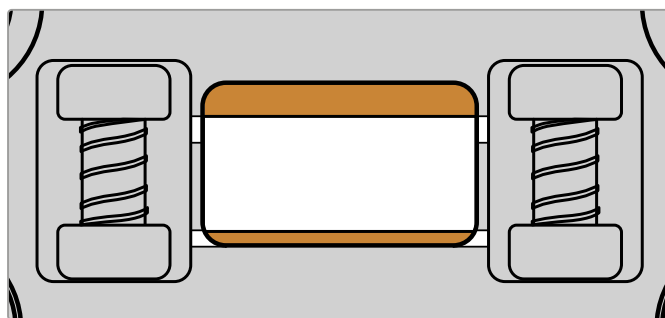


穿片

按照35mm胶片的穿片步骤完成穿片。请先确保8mm胶片已和驱动轮贴合到位, 然后再按下“LOAD”按钮或手动拉紧胶片, 防止胶片受到损坏。

在各种8mm胶片标准规格之间切换

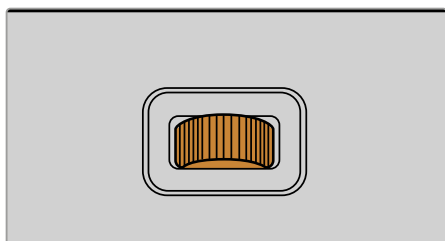
选配的8mm片门设有调整光圈快门的功能, 可以在Standard 8mm、Super 8mm和Max 8mm胶片规格之间切换。将光圈快门调整到胶片的非活动图像区域可以减少胶片边缘的“耀斑”, 有助于优化图像稳定性跟踪区域。



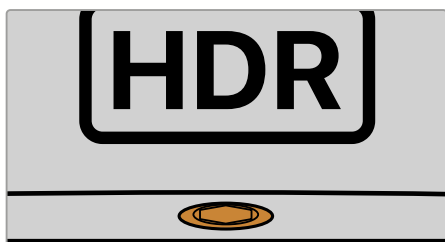
8mm片门可调整光圈快门

为方便调整，片门的正面设有白色的参考线，指示了每个胶片标准规格应对齐的位置。这些参考线只能作为参考，因为胶片会发生收缩且摄影机光圈也会变化，您可以通过加载胶片样本并在本地HDMI显示器或DaVinci Resolve预览中进行最终的微调。

调整光圈快门的步骤如下：

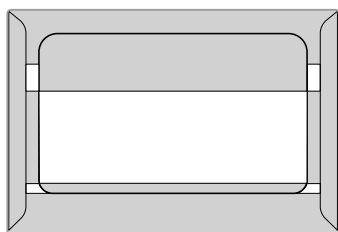


通过靠近片门后侧的拇指轮来调整位于齿孔一侧的上方快门。该操作可让您在Standard 8mm和Super 8mm胶片之间切换。

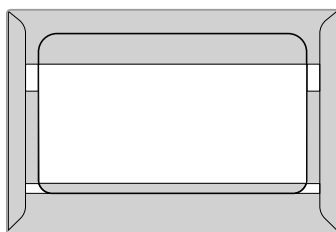


使用2mm规格的内六角扳手转动片门前面的中心螺丝来调整位于下方的快门。调整该快门可让您在Super 8mm和Max 8mm胶片之间切换。

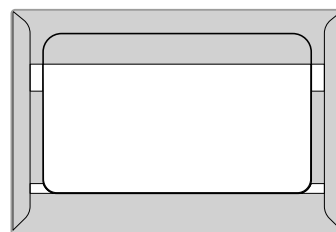
下面三张图片分别是调整为Standard 8mm、Super 8mm和Max 8mm胶片的光圈快门：



Standard 8mm



Super 8mm



Max 8mm

调整好光圈快门后，您可以加载一个胶片样本并进行最后的细调，让光圈快门与胶片的非活动图像区域对齐。



图为不正确的设置方式，光圈快门设置太宽，导致图像两侧均出现光区



图为不正确的设置方式，光圈快门设置太窄，导致图像两侧均出现暗区

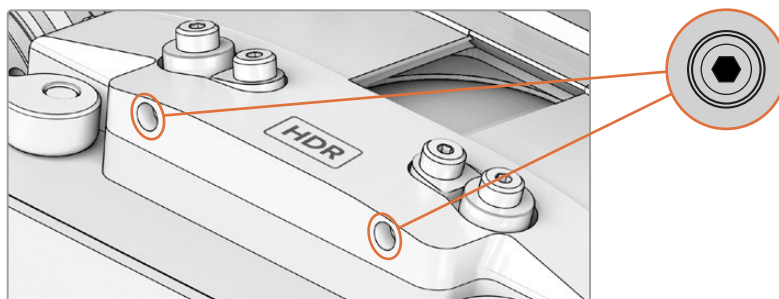


图为正确的设置方式，光圈快门正好调整到胶片非活动图像区域的边缘

胶片路径的张力螺丝

保护板上的四个滚轮轴承可确保胶片沿指定路径平稳走带，从而将片门的抖动降到最低。如果在扫描过程中，部分轴承没有接触到胶片，请调整这些轴承的松紧程度。要执行这一操作，请使用2mm规格的六角螺丝刀轻轻旋紧位于保护板或8mm片门前方的M4张力螺丝。

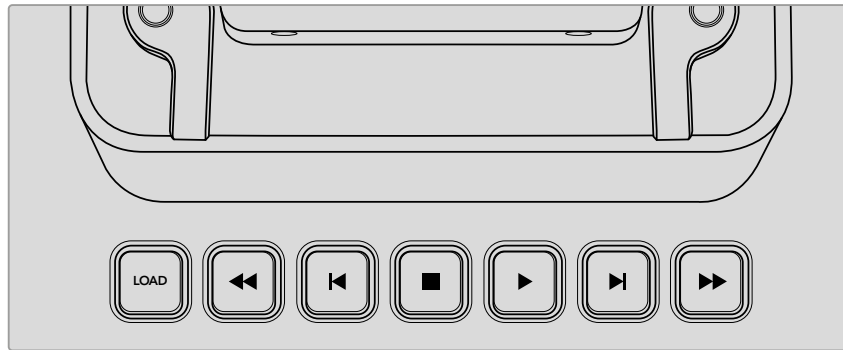
请注意，如果张力施加过度，就有可能导致画面发生轻微位移，从而可能会影响扫描效果。如遇此类情况，只需将张力调回少许，直至扫描画面恢复正常位置即可。



胶片路径张力螺丝位于8mm片门、16mm及35mm保护板的前方。

播放控制

DaVinci Resolve和扫描仪上均设有以下播放控制。



您的扫描仪内置装载、卸载以及预览扫描等控制。



装片

按“LOAD”按钮可拉紧安装在扫描仪进片和出片片卷上的胶片, 详情请参考“穿片”部分。

如果胶片已妥善拉紧, 按LOAD按钮则会让顺片轮组回到其原来的松弛位置, 从而卸载胶片。



倒片

按倒片按钮可将胶片卷回到进片片卷上。按此按钮一次可快速倒片, 当胶片达到75mm片卷的满载阈值时, 倒片将会停止。再次按下倒片按钮可将剩余胶片缓慢传送到进片片卷上, 从而将胶片从扫描仪上卸载。

如果您使用的是50mm规格的片卷, 扫描仪将会先在75mm规格片卷的阈值处停止。再次按下倒片按钮则会缓慢倒片, 直至75mm片卷倒片完毕。如果此时您的扫描仪检测到仍有剩余胶片, 设备会很快重新开始倒片操作, 直至达到50mm片卷阈值时再次停止。第三次按下倒片按钮可让50mm片卷完全倒片。8mm胶片片卷的阈值可分别设定为63mm或32mm胶片片芯直径。

由于100mm规格的片卷甚少使用, 因此扫描仪在设计时并未加入在到达100mm阈值时停止的功能。如果您使用100mm规格的片卷, 那么在将胶片传送到出片片卷的过程中, 请小心操作。您可以使用设备上提供的槽口, 但如果您不想弯折槽口内的胶片尾端, 也可以利用胶片本身的摩擦力来卷片。为确保片卷彻底卸载, 在安装100mm规格的片卷时, 请避免使用胶带。



步退

可将胶片后退一帧。您还可以长按后退按钮以慢速倒退播放胶片。



停止

可停止播放、停止快进、停止倒片。



播放

可播放胶片。默认帧率为每秒24帧。您可以在DaVinci Resolve的胶片扫描仪面板上设置回放帧率和“倒放”。



步进

可将胶片前进一帧。您还可以长按前进按钮以慢速向前播放胶片。



快进

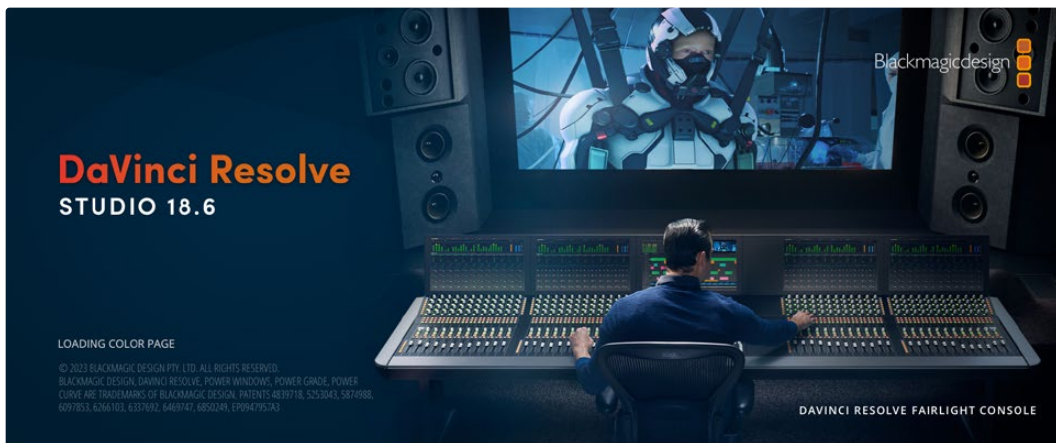
可将胶片快速导向出片片卷。50mm、75mm和100mm规格片卷的停止操作和倒片时的停止操作执行方式相同。

长按扫描仪的后退或前进按钮时，扫描仪将以每秒4帧的速度向前或向后播放。您也可以在大Vinci Resolve 胶片扫描仪面板上用鼠标点击并长按后退和前进播放控制按钮来执行同样的控制。

待机模式

未被启用时，您的扫描仪将进入待机模式，以延长光源部件的寿命。在连接Thunderbolt的情况下，扫描仪将于15分钟后进入待机模式；未连接软件时，扫描仪将于1.5分钟后进入待机模式。进入待机模式时，扫描仪的光源将闪烁绿色加以提示。

使用DaVinci Resolve采集

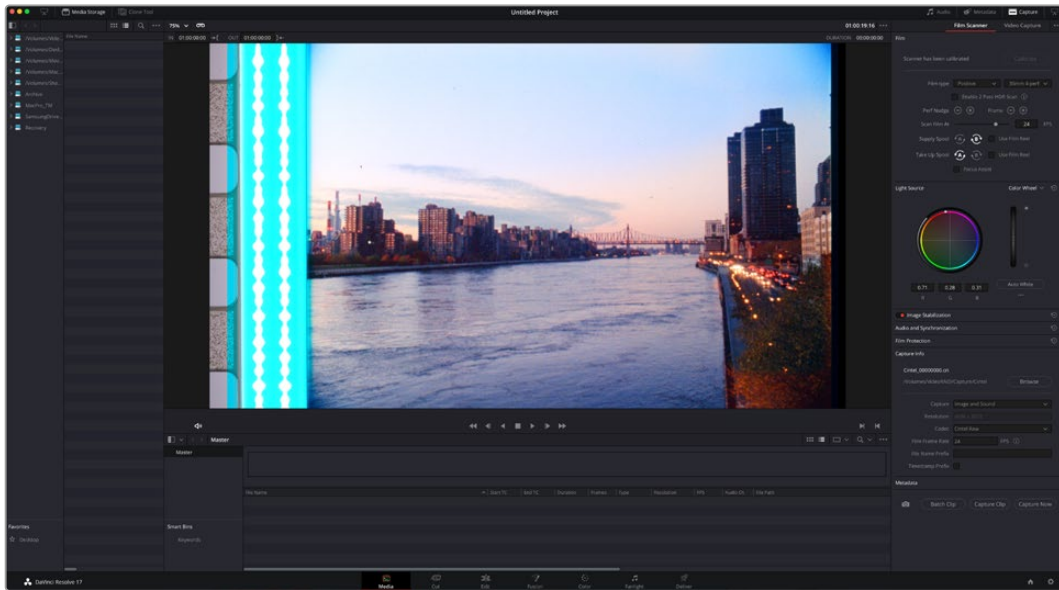


本章将为您介绍如何使用DaVinci Resolve胶片扫描仪面板中的各项设置和功能来控制您的扫描仪。具体内容涉及校准扫描仪、调节光源强度及色温、设置图像稳定功能等。您还可以设置Cintel Scanner处理胶片时的小心程度，以便保护珍贵脆弱的老胶片。

提示 DaVinci Resolve会保存当前项目的所有扫描仪设置。

Cintel扫描仪界面

找到位于DaVinci Resolve屏幕顶部的用户界面工具栏，点击其中的“采集”按钮，以便通过媒体页面来控制您的Cintel Scanner。如果要进行胶片扫描，请打开DaVinci Resolve的“胶片扫描仪”面板进行设置和校准，并选择相应选项来录入或扫描位于当前片卷的胶片中的一段选中范围。如果您需要以更大空间查看Cintel扫描仪控制项，请点击用户界面工具栏最右侧的全高按钮并关闭“元数据”面板即可。



媒体页面中的“Cintel扫描仪”控制

播放控制

播放控制工具与检视器回放模式下的外观相似，当前可用于控制Cintel Scanner。逐帧前进和后退时可显示更多控制项。

入点和出点控制工具

在“Cintel扫描仪”模式下，播放控制右侧的入点和出点按钮可用于定义要采集的胶片范围。

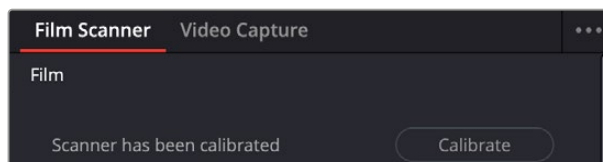
在“Cintel扫描仪”模式下，将胶片扫描成片段并添加到媒体池中时，媒体页面检视器右侧会出现以下几组设置。

胶片控制

胶片控制提供的选项包括校准扫描仪光学元件、选择胶片类型、调整画幅对齐、扫描速度和出片的卷片方向、选择片卷类型，以及开启或关闭对焦辅助功能。

校准

该选项可用于校准扫描仪的光学元件，从而消除无法移除的光学瑕疵或灰尘。请注意，这一功能并非用于去除胶片本身的污迹。



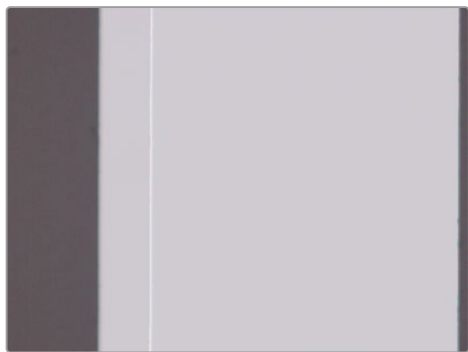
使用“校准”按钮可有助于去除Cintel Scanner光学元件上的灰尘和少量瑕疵。

我们建议您在扫描新的影像材料前对光学元件进行除尘处理，但光学元件上还是会因时间产生一些无法去除的痕迹，遇此类情况时请使用“校准”按钮来消除扫描图像上的瑕疵。

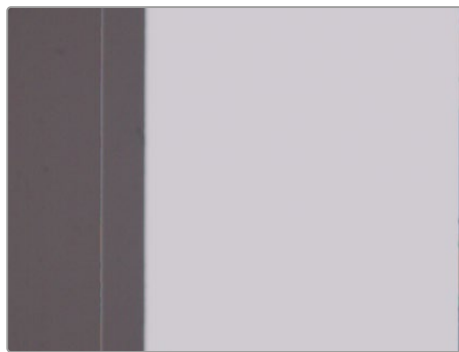
安装并对齐保护板后，请校准光学元件，这样有助于加强图像稳定并实现理想画质。

为了支持较小标准规格的胶片类型, 校准按钮还会对安装的片门进行分析, 并将采集后图像调整到基准参考。因此, 请在每次更换片门且未装载胶片的时候, 对片门进行校准操作, 确保获得理想性能。

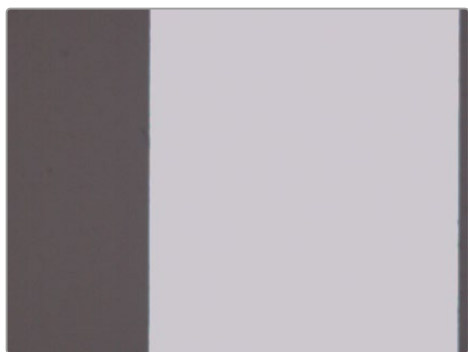
如果您使用的是8mm片门, 如果调整光圈快门将其切换到另一种8mm胶片标准规格, 就需要重复校准过程, 从而避免因使用之前的校准结果而导致图像出现“鬼影”。



错误校准图示: 使用Standard 8mm校准Super 8mm胶片



错误校准图示: 使用Super 8mm校准Standard 8mm胶片

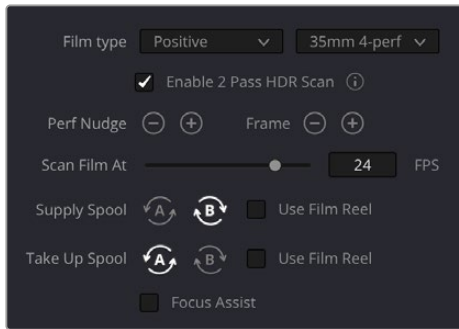


图为正确校准的Standard 8mm胶片

胶片类型

可选择您所扫描的胶片类型。针对彩色、黑白胶片, 选项分别是“正片”、“负片”、“翻正片”和“翻底片”。HDR扫描可改善所有胶片类型。选择您扫描时所使用的胶片类型, 分别是35mm 2齿孔、3齿孔和4齿孔, 以及16mm、Super 8mm和8mm。扫描仪会自动检测胶片为35mm、16mm还是8mm规格。8mm扫描的默认设置为Super 8mm。当扫描常规8mm时, 您需要手动将扫描仪设置为所对应的特定胶片类型。

当在Cintel Scanner和Cintel Scanner G2上扫描翻正片和翻底片时, 由于胶片密度更高, 因此需要略长的光源照射时间。一般来说, 扫描不会受到影响。但是, 如果扫描速度高于每秒12帧, 那么扫描影响的分辨率可能会略微降低。如果您发现分辨率有不同, 只需将扫描速度降低到每秒12帧或更低即可。



媒体页面中的“胶片类型”控制项

启用 2 通道HDR扫描

可启用高动态范围多次采集。请务必对宽动态范围帧画面执行“自动黑平衡”或“自动白平衡”处理，因为这将决定所选帧的高曝光级别和正常曝光级别。

齿孔微调

可根据扫描仪片门光圈精细调节齿孔位置。使用Command-J组合键上调，使用Command-L下调。

帧

长按可激活这些按钮。使用这些按钮时，胶片可缓慢上移或下移帧，放开按钮后胶片会停留在当前位置。这些按钮有助于将胶片帧和扫描仪传感器进行对齐。使用“齿孔微调”和“帧”按钮可对齐当前可见胶片帧，使上一帧的底部和下一帧的顶部仅显示在检视器的顶部和底部，并且使当前帧处于垂直居中状态。

操作时，请务必确保检视器中的画面未处于放大状态，这一点非常重要。使用“Command-左箭头”键盘组合键可将帧上移，使用“Command-右箭头”组合键可将帧下移。

扫描速度

在磁盘性能表现适中的条件下，设备应可实现30fps的扫描速度。如果您使用较慢的硬盘进行扫描，可将扫描速度降低到工作站可适应的帧率，以免出现丢帧现象。

进片片卷

可为左侧的进片片卷设置卷片方向。虽然自动检测功能可防止误操作，但您仍可根据每卷胶片的卷片方式来手动配置片卷的卷动方向。

出片片卷

可为右侧的出片片卷设置卷片方向。虽然自动检测功能可防止误操作，但您仍可根据每卷胶片的卷片方式来手动配置片卷的卷动方向。

使用胶片卷

相对大型胶片卷而言，小型胶片卷的重量和惯性都有所不同，而这些会影响到它的传输系统。勾选此复选框可切换到专为小型胶片卷设计的较高稳定性设置。

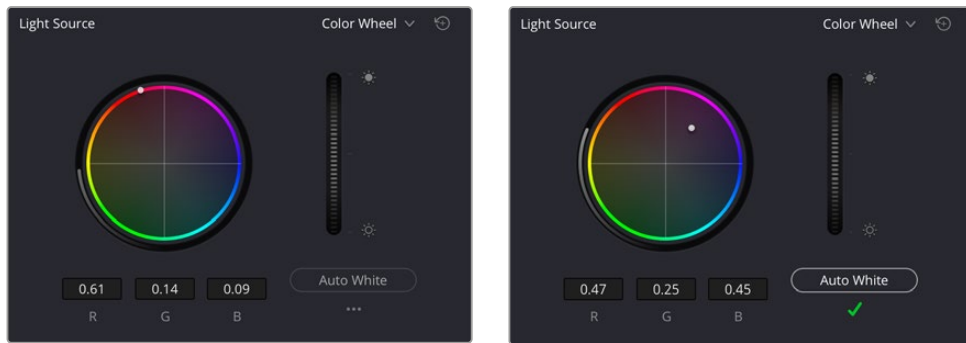
对焦辅助

如果要获得最佳对焦调整效果，您可以在扫描仪的HDMI监看输出画面上以及DaVinci Resolve胶片扫描仪面板的检视器上启用醒目的峰值对焦提示。

调整光源

这些控制可用于调整Cintel Scanner的光源, 将其校准到理想的Dmin密度最小值。Dmin密度最小值是扫描最小值, 以及扫描材料的色温。正确调整光源设置可确保理想扫描质量, 并确保扫描处理中不出现任何图像数据裁切。建议您在更换胶片时检查光源设置, 以确保采集品质。

使用DaVinci Resolve自带的示波器软件可有助于将光源设置到理想级别。从媒体页面中依次进入“工作区” > “视频示波器” > “开启”, 可启用示波器功能。



左图: “光源”控制未经校准前的默认光源状态; 右图: “光源”控制成功校准后的光源状态。

光源主滚轮

位于色轮一侧的纵向光源主滚轮, 可调整照射胶片的光源强度, 统一提高或降低RGB通道。如果使用典型的负片, 该功能可用来调整胶片影像的黑点, 也就是图像中最暗的部分。但是对于负片来说, 它指的是胶片影像中的高光部分。请恰当调整光源强度, 使其正好位于95以上的Dmin值(具体数值可通过视频示波器中的直方图测量得出), 以便确保画面高光部分不会因Cineon风格LOG转换而被裁切。使用正片时, 只需调整主滚轮确保画面信号中均未出现裁切即可。

“自动黑平衡”和“自动白平衡”按钮

可分析检视器中当前所显示的帧画面, 并通过自动调整使用帧画框区域为负片或为翻底片设置黑点。使用正片和翻正片胶片时, 它是通过图像区域最明亮的高光部分为其设置白点, 所以选择正确选项是非常重要的。或者, 对于正片类型, 您可以使用打孔帧作为最大白点, 从而确保所有后续帧都符合要求。使用正片时, “自动黑平衡”按钮会相应变为“自动白平衡”按钮。

光源状态提示

自动按钮下面的提示可让您知晓自动黑平衡或自动白平衡光源校准是否成功或是否有其他问题。这些提示还对重新校准LED光源，以确保最高质量的扫描提供了很好的提醒。

	光源校准尚未执行。
	光源校准执行成功。
	光源校准执行失败。验证您是否选择了正确的胶片类型，光路是否被挡住，以及是否选择了合适的参考帧。如有需要，可尝试推进胶片，并选择其他的参考帧。
	光源校准已成功平衡色彩，但尚未达到理想程度。作为解决方案，您可以接受平衡后的扫描并在DaVinci Resolve调色页面里优化图像，或者选择一个具有更宽动态范围的其他参考帧进行校准。

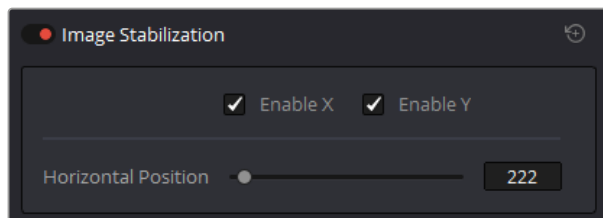
RGB控制

默认情况下，该色彩平衡控制可通过更改三个色彩通道的数值来调节用于照射胶片的光源色温。同时，调整后的R、G、B数值则会显示在相应通道下方。或者，您也可以使用光源标题栏右侧的模式弹出菜单，将这一控制设置为“彩条”模式，从而将其变为三个纵向的红、绿、蓝色彩通道滑块。

备注 更换胶片卷时，光源校准已保存。这样就能以单个光源校准的SDR和HDR模式扫描多个胶片卷。最近一次的光源校准将被保存，直到您执行新的校准操作或者重启Cintel Scanner。

图像稳定功能

这些控制可启用、禁用以及控制图像稳定功能，从而消除胶片垂直跳动和水平抖动的现象。



媒体页面中的图像稳定功能控制项

图像稳定功能启用/禁用控制

“图像稳定功能”标题栏左侧的圆点可用来启用或禁用扫描仪的硬件图像稳定功能。如果齿孔质量较高，您可以使用硬件稳定功能。但是如果齿孔条件较差，因而需要使用DaVinci的软件稳定功能，此时您可能需要关闭硬件稳定功能选项。

启用“图像稳定功能”后，检视器中会叠加显示一条用于检测的水平X轴，将用于稳定参考的胶片齿孔边缘以高光显示出来。此叠加显示可在记录时自动隐藏。图像稳定功能默认为启用状态。

启用X和Y复选框

“启用X”和“启用Y”两个复选框可用来选择是否使用硬件图像稳定功能来修正横向片门来回抖动和纵向片门跳动。如果两个复选框均启用后依然未得到满意的调整结果，您可以关闭导致图像稳定出现问题的那个坐标，并换而使用DaVinci Resolve的软件稳定工具。

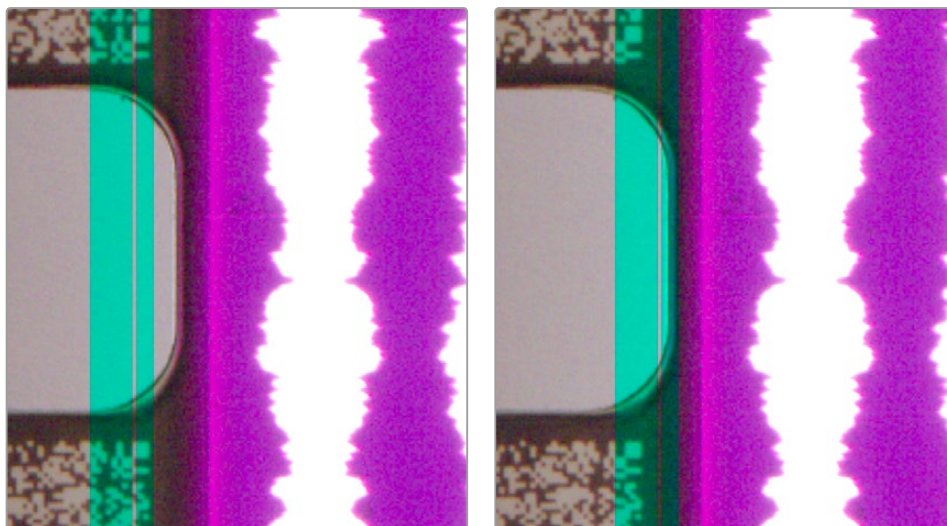
“水平位置”滑块

Cintel Scanner将尝试在最合适的位置自动放置稳定探测叠加显示，为当前胶片帧画面上的齿孔提供参照，从而获得理想的稳定效果。

您会注意到蓝色对齐叠加显示上出现一条透明的细线。要获得理想的稳定效果，这条细线应紧贴齿孔边缘。如果自动放置效果并不理想，您可以手动将叠加显示移动到更理想的位置。操作时，您可以直接用鼠标在检视器中拖动叠加显示，或使用水平滑块进行移动。

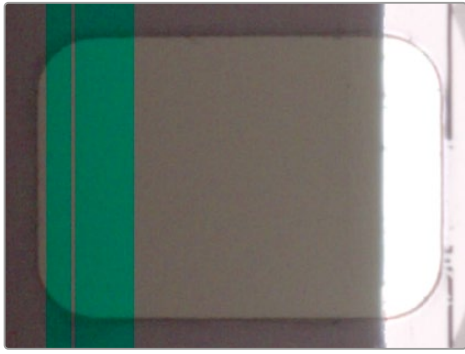
如图所示，稳定叠加显示的理想位置是将叠加对齐中的透明细线放于齿孔的边缘处。叠加显示正确放置后，设备会启用硬件稳定功能来改善片门沿X轴的抖动现象。

当您选择“启用Y”复选框时，图像稳定功能会自动管理纵向片门抖动。无需进一步调整，与水平稳定功能共同运行。

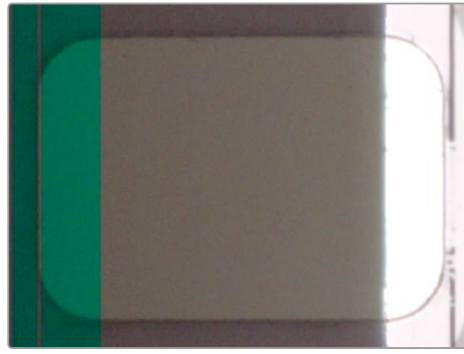


不正确的35mm设置。调整稳定叠加显示的水平位置。叠加显示位置没有与齿孔的边缘对齐。

正确的35mm设置。硬件稳定控制可在检视器中准确地将叠加显示放置在齿孔上方的相应位置。稳定叠加显示中的透明细线应紧贴齿孔边缘。



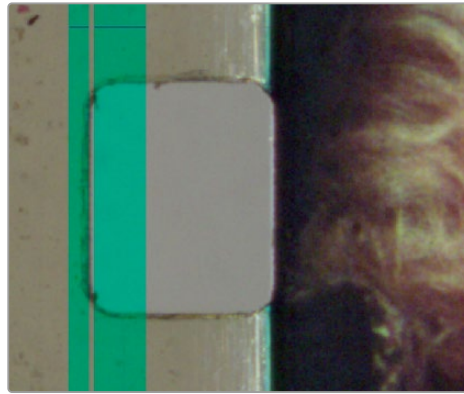
不正确的16mm设置。叠加显示位置没有与齿孔的边缘对齐。安装了16mm规格的HDR保护板后，稳定器会自动对齐两侧的齿孔，以避免阻碍胶片影像，从而改进横向稳定性。当使用非HDR的16mm保护板时，稳定器将按照35mm保护板的标准来运作。



正确的16mm设置。为获得稳定叠加显示，默认对齐位置是在齿孔左侧边缘，因为这里不会受到图像内容的影响。稳定叠加显示中的透明细线应准确地紧贴齿孔边缘。



不正确的8mm设置。叠加显示位置没有与齿孔的边缘对齐。



正确的8mm设置。为获得稳定叠加显示，默认对齐位置是在齿孔左侧边缘，因为这里不会受到图像内容的影响。稳定叠加显示中的透明细线应准确地紧贴齿孔边缘。

如果要在开始采集之前仔细检查稳定设置的结果，请将检视器设置为全分辨率，并放大齿孔区域进行精细调整。只需点击检视器右上角的选项设置，然后从菜单中选择“全分辨率预览”，将检视器左上角的缩放标尺选成“100%”即可。这一设置并不会影响稳定功能，它会尽可能提供最佳的预览效果，供您监看运行情况。

全分辨率预览十分消耗GPU，并且可能会导致画面卡顿。为了获得最佳性能表现，请在检查完稳定效果之后关闭全分辨率显示功能。请注意，叠加显示位置会保存在项目设置里，而不是片段设置里，因此多个卷可能需要单独调整。

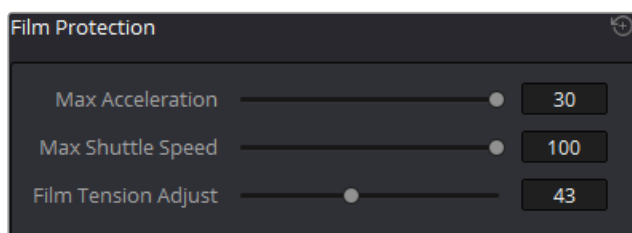
想要将检测叠加显示位置重置为所给定胶片类型的默认位置可通过稳定面板的重置按钮来实现。

音频与同步

“音频与同步”设置面板包括了针对选配件Cintel Audio and KeyCode Reader的设置。更多相关信息，请查阅本手册“选配Audio and KeyCode Reader”部分的介绍。

胶片保护

这些控制项可让Cintel Scanner小心处理珍贵胶片。较高的加速度和快速运行可能会对存档胶片造成一定磨损，因此建议您在扫描老旧的胶片材料时将这两个滑块的速度在默认值的基础上再调低一些。



在扫描老旧且易损的存档胶片时，请调低“加速度”和“快速运行”滑块。

备注 当使用搭载扣片齿轮的Cintel Scanner时，会出现“胶片松紧度调节”滑块。

最大加速度

可设置最大速度变化，以每秒5–30fps的速度提升或降低速度。

最大快速运行速度

更改从胶片某一段快速运行到另一段的速度，其中35mm胶片的速度介于每秒1–100帧，16mm胶片的速度介于每秒1–200帧。

胶片松紧度调节

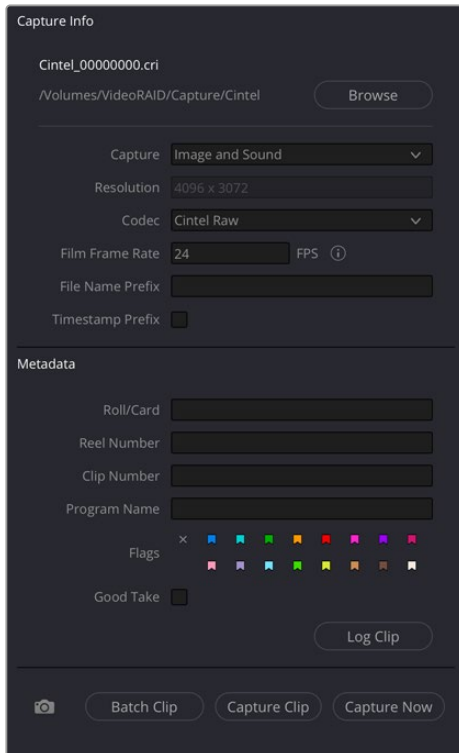
如果您的Cintel Scanner搭载的是扣片齿轮，可使用该设置来调整对35mm胶片施加的松紧度。当安装存档胶片或减缓胶片抖动情况时，就可使用这一设置。使用“胶片松紧度调节”设置应不可能发生胶片损坏的情况。该调节值非常小，只是为了防止扣片齿轮因脱节而刮擦胶片所进行的轻微更改。

如果您的Cintel Scanner搭载的是卷片滚轮，就无法以扣片的方式带动胶片，因此该设置会处于禁用或者不显示状态。

编辑采集信息和元数据

当Cintel Scanner和DaVinci Resolve一起使用时，DaVinci Resolve的“胶片扫描仪”面板底部会出现一组采集元数据栏。“采集信息”面板设有多个可编辑的元数据栏，当中给出了文件的保存位置、编解码器的类型、帧率、文件名称格式等采集属性。这些元数据与您的片段相关联，可在媒体页面中读取。

开始扫描前，请先对项目设置进行相应的调整。



“采集信息”面板可让您明确所扫描片段的元数据

采集位置

开始胶片扫描过程前，请先将DaVinci Resolve胶片扫描仪面板向下滚动到“采集信息”区域，以检查并确保所扫描的文件被保存到您指定的目录和卷下。点击“浏览”按钮并从“文件目标”对话框中选择一个位置。请先完成这一步骤，以免发生遗漏。

采集

当安装有Cintel Audio and KeyCode Reader时，此菜单可为您提供不采集任何图像的“仅声音”选项，或者“图像和声音”选项。如果不需要采集音频，您也可以选择“仅图像”进行采集。

分辨率

采集文件的分辨率取决于原始胶片格式，因此该栏目不可编辑。

编解码器

DaVinci Resolve默认选项是“Cintel Raw”编解码器用于无损压缩，您也可以选择“Cintel Raw 3:1”采集更小的文件尺寸。

胶片帧率

指定胶片的原始拍摄帧率。DaVinci Resolve会根据该值自动调整时间线帧率。这一设置与采集或传输速度无关。

使用选配的Audio and KeyCode Reader配件扫描音频时，读取器将根据帧率自动调整，保持总体采样率在48kHz。时间码输出支持16、24、25及30fps，其他帧率无时间码信号输出。

文件名前缀

前缀有助于识别扫描。此选项可以是项目名称，例如扫描胶片的名称。

时间戳前缀

选择此复选框可为扫描文件加上时间戳，以及您指定的“文件名前缀”作为前缀。您的片段将被保存到目标文件夹下独立的子文件夹中。该复选框默认为勾选状态。

如果您想要将所有片段保存到同一个目标文件夹中其文件名不带有时间码，那么请取消勾选该复选框即可。

备注 如果您不用时间戳作为前缀设置独一无二的采集名称，而且文件放入同一个地点，可能会导致文件被覆盖。

盘/卡、卷号、片段编号和节目名称

您可以使用这些元数据来查找和识别片段。

旗标

您可以使用这些彩色旗标来标记不同片段。

好镜次

与媒体池中的“圈选镜头”元数据所对应。

录入片段

在媒体池中添加一个片段。为想要扫描的部分标记“入点”和“出点”，并确认元数据正确无误后，点击“录入片段”。更多信息，请查阅DaVinci Resolve操作手册中“录入和采集独立的片段”以及“录入和采集多个片段”部分的内容。

批量采集片段、采集片段、立即采集以及📷快照

这些扫描按钮提供了采集片段的不同方法。更多关于扫描按钮的信息，请参阅本手册“扫描一段或多段胶片内容”的部分。

胶片扫描工作流程

以下部分将介绍如何使用DaVinci Resolve来控制Cintel Scanner进行胶片扫描。上文中的各项功能介绍是按照整个扫描过程从头至尾的顺序进行排列的。

准备事项

开启扫描仪并安装胶片之前，请先为片门除尘，以尽可能确保纯净的扫描结果。您可使用空气除尘器完成除尘，但是如果片门积尘严重，您可将其拆下进行更彻底的清洁。除尘完毕后，开启Cintel Scanner，打开DaVinci Resolve并创建用于胶片扫描的项目，再点击媒体页面中的“Cintel扫描”按钮。然后，点击“胶片扫描仪”选项卡，选中DaVinci Resolve的胶片扫描仪面板。

为扫描仪装载胶片或进行其他操作之前，请点击扫描仪面板左下角的“校准”按钮。每次装载新胶片卷之前，您都需要为扫描仪进行片门除尘工作，点击“校准”按钮可消除扫描仪光学元件中无法移除的瑕疵。

装载并对齐胶片

装载需要进行扫描的胶片。出现图像后，扫描仪将自动对帧画格进行对齐。请注意，如果您先以空白牵引片进行走带加载，帧画格可能会出现不对齐的情况。

接下来，请选择胶片类型。使用“齿孔微调”和“帧”按钮可手动对准当前可见胶片帧，让帧画框和扫描仪的传感器对齐，使上一帧的底部和下一帧的顶部正好显示在检视器的顶部和底部，从而使当前帧画格处于垂直居中状态。操作时，请务必确保检视器中的画面未处于放大状态，这一点非常重要。

扫描仪对焦

与摄影机镜头的对焦一样，您需要为投射到扫描仪传感器上的胶片影像进行聚焦。要获得准确对焦，请启用DaVinci Resolve“胶片扫描仪”采集设置中的对焦辅助复选框。该操作能在Ultra HD图像上叠加显示峰值对焦信息，并将Ultra HD画面通过扫描仪的HDMI输出口输出，该画面还会同时显示在DaVinci Resolve的采集窗口中。为获得最佳效果，请为Cintel Scanner连接一台Ultra HD显示器，以便对焦时能以最大分辨率观看画面。

开启对焦辅助功能后，峰值对焦功能可在胶片平面准确对焦时检测扫描影像当中的胶片颗粒。这样的话，即使胶片影像本身并未对焦，操作人员也依然能够为扫描仪妥善对焦。调节Cintel Scanner的对焦旋钮时，请同时注意观察扫描仪的Ultra HD输出画面。当画面中分布的颗粒点上显示出峰值对焦标识时，表示图像已完成对焦。

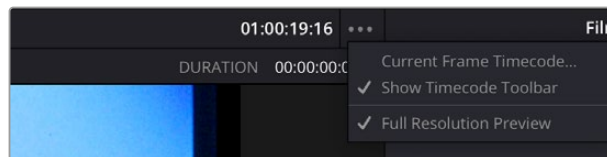
您可以通过查看胶片齿孔边缘来检查对焦调整是否妥善。如果齿孔边缘清晰锐利，就代表胶片已对焦。

重置时间码

如果要为需扫描的胶片卷设置时间码，您需要为该卷确定零帧。通常，标准操作是在胶片卷第一帧的前一帧上打一个孔作为胶片扫描时间的参考记号，它也被叫做“标记帧”、“Lab卷孔”或“Head Punch”。请始终将时间码的第一帧匹配此标记帧，接下来的胶片扫描将拥有和之前扫描相同的帧计数，这样能便于在任何时候对同一份影像材料进行重新扫描和重新套底。

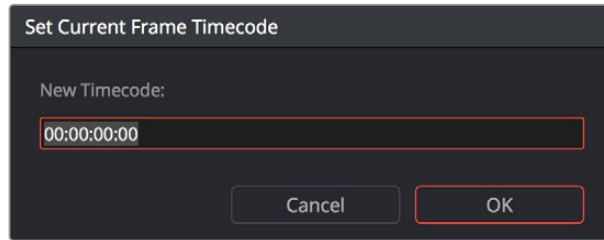
如何重置新卷扫描后的标记帧时间码：

- 1 使用检视器下方的播放控制工具来定位标记帧。
- 2 点击“检视器”选项菜单，并选择“当前帧时间码”。



从检视器的选项菜单中选择“当前帧时间码”

- 3 在出现的对话框中键入时间码值。例如, 如果正在扫描项目的第一卷, 您可以键入“01:00:00:00”。



设置当前帧时间码的对话框

- 4 完成后, 点击“OK”。

时间码不能为负值, 因此请勿将起始帧设为零。另外一种常用的组织技巧就是, 在更换卷的时候更改小时数, 以便和胶片卷的号码一致, 这样能便于通过对应的原卷和帧范围来识别扫描后的片段。

您的Cintel Scanner内置“配件接口”端口, 可根据需要添加选配硬件。这一设计能使扫描仪添加更多选配功能, 例如读取来自摄影机负片的Keycode片边码, 或者光学/磁性音频等信息。更多相关信息, 请查阅“选配Audio and KeyKode Reader”部分的介绍。

为扫描影像选择保存位置

完成所有操作后, 向下滚动到DaVinci Resolve胶片扫描仪面板的“采集信息”控制项, 并点击“浏览”按钮来选择扫描后的文件保存位置。您可以使用该界面中的其他栏来设置您想在扫描文件及其上级文件夹的名字中添加的前缀。“文件名前缀”一栏中的内容将更新在界面标题中显示的文件名预览信息。标题还显示了文件路径、分辨率、帧率、时长以及格式。明确您所扫描媒体相关的盘、卷、片段以及节目信息。“采集信息”控制中的“时间戳前缀”复选框默认为勾选状态, 可将您的片段保存到目标文件夹下独立的子文件夹中, 并且文件名中会带有时间码前缀。

如果您想要将所有片段保存到同一个目标文件夹中, 请取消勾选该复选框即可。

采集HDR片段时, 扫描仪会完成高曝光扫描, 并将文件保存到一个名为.HDR的隐藏文件夹内, 该文件夹和标准扫描使用相同的上一级文件夹。如果您删除这个.HDR文件夹, 扫描工作就会在媒体存储中刷新后转换成正常片段, 并将该片段重新导入到媒体池。如果HDR扫描环节出现问题, 这一机制就十分有用, 因为您可以轻易将扫描工作转换成常规CRI片段。

检查编解码

DaVinci Resolve默认选项是“Cintel Raw”编解码，您还可以选择“Cintel Raw 3:1”。

Cintel Raw格式

Cintel扫描仪的传感器所扫描的胶片帧RAW格式拜耳模式会连同嵌入的扫描仪元数据一起被保存为12bit线性Cintel Raw Image (CRI) 图像序列。使用DaVinci Resolve调色时，CRI图像会自动解拜耳成为12bit对数编码图像数据。

这一对数编码与Cineon编码类似，但不完全相同。例如，负片采用Gamma 2.046进行编码以获得密度，而正片则使用全范围Gamma 2.2曲线来防止图像数据出现裁切。两种对数编码都可以使用“Cintel转线性”1D LUT功能转换成线性色彩空间，然后再根据您工作需要转换成其他色彩空间。

胶片则使用4096x3072全传感器范围来保持音频波形可见，以便用于光学音频，并获得可见齿孔用于稳定。然后，图像会进行裁切，采集文件的分辨率取决于原始胶片格式，外加扫描后移除齿孔和音频区域之后的大小。更多关于不同类型胶片的扫描分辨率，请阅读“参数”部分的介绍。

Cintel Scanner默认创建可变比特率无损压缩的Cintel Raw文件。这是视觉无损压缩，并且能根据画面内容实现约3:2的文件大小压缩。然而Cintel Raw 3:1采用有损压缩，压缩比约为3:1。这种文件质量也非常高，但不一定总能实现视觉无损。比如，35mm 4齿孔的Cintel Raw文件约为12.5MB，Cintel RAW 3:1文件约为6.3MB。16mm的Cintel Raw文件约为4MB，Cintel RAW 3:1文件约为2MB。

CinemaDNG质量设置

要控制CRI文件的质量，请使用位于项目设置下“Camera Raw”面板中的“解码质量”和“播放质量”CinemaDNG设置。这些设置默认使用“全”选项。如果计算机处理器较低或内存不太宽裕，可考虑降低这些设置，但这样就会影响最终渲染的质量。

设置时间线分辨率

DaVinci Resolve会使用和时间线相同的分辨率显示并渲染来自扫描仪的输出。例如，35mm规格的4齿孔胶片，自定义分辨率为4096x3072，就要求最大分辨率。

备注 如果您的时间线为HDR设置的理想交付格式为Ultra HD，可能会导致分辨率下降。

更多关于所有胶片标准规格裁切画面区域分辨率的信息，请参考“技术参数”章节中关于“有效分辨率”的介绍。此外，如果需要使用采集片段的全原生分辨率，请到DaVinci Resolve的“片段属性”中进行设置。

调整扫描仪色彩

DaVinci Resolve的胶片扫描仪面板可用来控制被扫描胶片影像的曝光度,也可以用于控制照射胶片的灯光的色温。您可以通过光源主滚轮和RGB控制来实现这些调整,从而最大程度地提取每一帧的画面信息,并防止画面内容出现不可挽回的裁切。CRI是原始图像格式,但超过内部数据范围的宽容度将不被DaVinci使用。因此需要注意的是,如果您在扫描时使用自带的视频示波器裁切数据,那么这些数据将从扫描媒体文件中永久裁切掉。

对扫描镜头的色彩以及曝光度的调整频率取决于某卷胶片中不同场景的数量。例如,有些胶片卷中含有同一场景的多个镜次,所有镜头均使用相同的照明方案,因此可使用相同的调整。

但有些胶片卷中含有拍摄自不同场景的画面,并且都采用不同的照明方案,因此需要您对每个扫描的片段进行单独调整,以便获得最佳数据质量。

这一点非常重要,因为光源主滚轮和RGB控制无法在录入和采集工作流程中的扫描片段之间自动更改。也就是说,当前的光源设置将被用于所有扫描片段,甚至包括您从胶卷不同部分录入的片段,除非您手动更改这些设置。换言之,只有当您录入多个共享相同光源主滚轮和RGB控制调整的片段时,才适合使用录入和采集风格的工作流程。

否则,建议您在扫描片段时逐个调整每个片段的照明,以便获得最佳画质用于精编。切记:进行这些调整的目的是为了获得最佳画面数据,并非为制作片段的最终风格所用,后者应在调色阶段使用“调色”页面中的控制工具达成。

要调整光源设置,请在待扫描的胶卷范围中选择一个典型画面,或在待扫描的第一组镜头中选择一个典型画面,然后一边参照软件自带的视频示波器来调整光源。

使用光源主滚轮来调整照射胶片的光源强度,统一提高或降低R、G、B通道。如使用典型的摄影机负片,该功能可用来调整胶片影像的黑场。但是对于负片印片来说,图像中最暗的部分对应的是胶片影像中的高光部分。请恰当调整光源主滚轮,从而使其正好位于95以上的Dmin值(具体数值可通过视频示波器中的直方图测量得出),以便确保画面高光部分不会因Cineon LOG转换而被裁切(Cineon LOG是DaVinci用来对CRI图像进行解拜耳处理以便调色所用的转换)。使用正片时,手动调整光源信号水平,确保亮部和暗部均未出现裁切即可。通常,10bit是1000,或者12bit是4000。

您可在波形图、RGB分量图或直方图中打开“显示参考级别”,并设置为“低”值来代表95的Dmin数值。

完成设置后,请调整RGB控制来重新平衡三个色彩通道,通过改变数值来更改用于照射胶片的光源的色温,以便扫描文件具有更加有用或者中性的色彩平衡效果。

扫描一段或多段胶片内容

如果您调整了光源,请在扫描每个片段时在元数据编辑器中输入所有相关元数据以便管理。“采集信息”的元数据栏包含用于定义文件名前缀、盘、卷号、片段编号、节目名称、旗标以及某个镜次的好坏等信息。如果您在扫描某个片段之前已填写好各栏内容,那么这些元数据将被写入片段中。

在“采集信息”面板的底部,设有四个用于胶片扫描的按钮。

全部完成后,您便能通过以下四种方式之一开始将胶片扫描成片段文件:

立即采集

使用该按钮可立即采集胶卷的较长部分。点击“立即采集”可在当前帧就近开始扫描,点击“停止采集”可终止扫描。

如果选中“启用2通道HDR扫描”,那么只要在采集开始之后点击“采集HDR”,DaVinci Resolve就会将该点识别为片段采集的终点,并且开始第二轮的高曝光画面采集。如果您扫描整卷内容,不点击“采集HDR”,那么扫描仪就会从之前的起始位置自动开始第二轮的高强度扫描,直至整卷内容结束。

采集片段

可更好地控制胶卷特定范围的扫描。如果您使用了播放控制功能以及出点和入点按钮来定义胶片卷中的某段范围,那么点击“采集片段”按钮后就会只扫描该段范围,然后停止。

如果选中“启用2通道HDR扫描”,高强度HDR扫描就会使用和初次扫描相同的入点和出点。

批量采集片段

可使用DaVinci Resolve胶片扫描仪面板中当前的光源设置,在一次性扫描所有片段前先录入这几个片段。要事先录入每个片段,请为需要扫描的胶片各部分设置入点和出点,然后点击“录入片段”按钮,以便将这一段帧范围作为未扫描片段保存在媒体池中。点击“批量采集片段”后,所有未扫描的片段都将被依次扫描,直至扫描作业完成。您也可以选择一个或多个未扫描片段,这样的话只有选中的片段会被扫描。此外,您可以导入某个胶片卷相对应的EDL文件,并将最后的录入片段用于扫描。

备注 当您点击“录入片段”按钮时,Cintel扫描仪会对所有批量片段应用相同的项目设置,并将使用采集当时的最新项目设置。建议您确认扫描仪设置后,再开始批量采集。

如果选中“启用2通道HDR扫描”,高强度HDR扫描就会使用和初次批量扫描相同的入点和出点组。

如需了解更多关于批量采集工作流程的信息,请参考DaVinci Resolve手册中“从磁带摄取”章节的内容。

📷 快照

使用正常曝光值和当前扫描仪设置采集单帧。

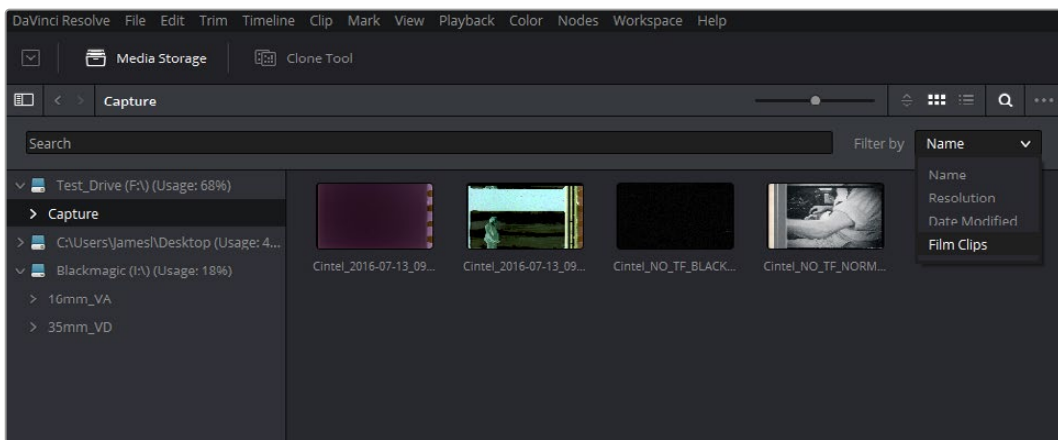
扫描时,如果DaVinci Resolve检测到因存储带宽太低而无法以所选速度进行采集,扫描速度会自动进行调整以确保采集顺利进行。如果您在扫描时使用了选配的Audio and KeyCode Reader配件,那么音频采样率也将被调整,以保证所选音频质量。

提取音频

如果扫描的胶片包含光学音轨，您可以通过一个简单步骤将音频提取出来。提取音频时，DaVinci可使用标准的图像帧到音频帧偏移进行自动进行对齐，35mm为21帧，16mm为26帧。选中所有带有光学音轨的片段，然后右键点击其中一个被选片段，并选择“提取音频”。Resolve将分析每一帧上的光学音轨覆盖区域，然后自动生成一个匹配的音轨，并与扫描后的图像序列保持同步。

每个片段的音频都将被自动提取并加嵌到片段当中，和扫描获得的帧画面保存在相同的目录下。片段缩略图一角会出现一个小型音频图标，提示您有对应的音频文件。

为了使提取工作更为便利，您可以通过名称、分辨率、修改日期以及胶片片段对媒体文件存储中的片段进行筛选过滤。对片段进行筛选可方便您查找并选择需要的内容。您也可以选择大量片段，并一次从多个片段中提取音频，只要右键点击选中对象，并从菜单中选择“提取音频...”即可。音频提取过程中，屏幕上的信息框会显示提取进度。您可以随时点击“停止”按钮中止提取。



您可以对媒体存储中的内容进行筛选，以便管理

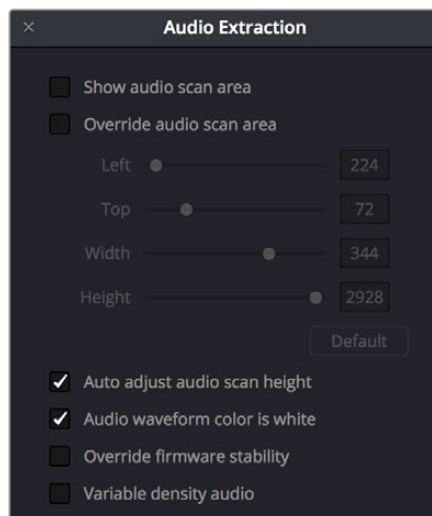
如果您在扫描片段时取消勾选了“采集信息”中的“时间戳前缀”复选框，并且想要将提取的音频自动嵌入到片段当中，请务必记得从媒体池中的片段提取音频。

音频提取设置

一般来说, 只要您选择了胶片类型, DaVinci Resolve的自动功能就可以很好地提取光学音轨了。但是, 光学音轨的质量可因胶片质量而参差不齐, 因此有些情况下, 自动功能可能会无法顺利运行。如遇此类情况, 您可以避免使用自动功能, 手动进行调整。



进行手动调整的方法很简单, 只要找到检视器右上角的检查器选项, 然后点击其中的“显示Cintel音频设置”选项, 打开“音频提取”设置窗口即可。



音频提取设置可让您根据需要进行手动调整

音频提取设置可让您执行以下手动调整操作:

显示音频扫描区域

该复选框可开启或关闭音频扫描区域的引导框。帧画面一侧会显示出一个引导框, 它会覆盖光学音轨扫描区域, 并显示提取时将用到的光学信息。引导框的位置会对应您选择的胶片类型。但是, 您可以根据需要手动更改位置。音频扫描区域的引导框还具有很好的提示功能, 它能向您显示提取过程中发生的一切情况, 以便您及时发现任何可疑问题并手动调整。

引导框内有一条很细的红线。这条线是中点探测器, 可检测立体声声道的划分。在提取音频的过程中, 如果检测到单声道音频, 这一中点探测器将消失, 而引导框将会自动调整以适应单声道光学音轨的宽度。

提示 如果您需要更细致地查看音频扫描区域的引导框, 请放大检视器, 并上下、左右移动检视器位置即可。使用检视器左上角的大小调整选项来选择放大的程度, 然后使用鼠标或触控板点击并拖动检视器即可进行查看。



开启“显示音频扫描区域”时, 音频区域的引导框将显示出来, 以便您清楚查看到使用的信息, 并监看提取过程。

覆盖音频扫描区域

该设置可提供多个滑块, 分别用于调整音频扫描区域引导框的横向和纵向位置, 及其宽度和高度。

具体设置包括:

“左”和“宽度”

如果您使用的是音频位于帧画面右侧的胶片类型, 那么只要调整“左”滑块即可将引导框向右侧移动。一般来说, 如果您选择了相应的胶片类型, 那么这一步可自动执行。该设置可以给您更大的灵活性, 能在您需要的时候随时进行调整。同样的, “宽度”设置可用来调整扫描区域的宽度。

如果胶片光学音频区域有不需要的元素, 那么您还可以使用这些工具对引导框的边缘做出细微的调整。这些元素可能是因为胶片齿孔的老化所致, 也有可能是因为胶片质量参差不齐所致, 它们或可干扰音频提取的质量。只要对侧边缘进行细微的移动, 将这些元素排除在引导框外, 就可以有效避免干扰。

顶部

该设置可用来调整引导框的垂直位置。

高度

有时, 较老的胶片中的画面可能会因为时间的缘故发生收缩, 因此会比正常情况下要小。对引导框进行手动调整时, 您需要使用“高度”滑块为胶片收缩进行调整。

自动调整音频扫描高度

该设置默认为启用状态，它可自动调整引导框的高度，使其对准每一帧顶部的音频波形。这一自动功能对于普通音频条件来说可正常运行，但是，如果在提取过程中，您注意到引导框偶尔出现不规则移动的情况，并且影响了提取质量，那么这可能是由于帧画面之间相互重叠的音轨具有相似的特征所导致的。如遇此类情况，请取消勾选该复选框，并尝试重新提取。

如果取消勾选“自动调整音频扫描高度”复选框，请确保使用“高度”设置将引导框放置在帧画面中的最佳位置。您也可以根据需要进行手动调整。但是请牢记，之后要重新开启自动功能！

音频波形色彩为白色

根据具体的扫描胶片类型，音频波形可能是白色或者黑色。如果波形为白色，请确保您启用了相应的复选框。这样可以保证波形当中的白色信息被用于音频提取。如果波形为黑色，而其周围音频区域为白色，请禁用该复选框，以便DaVinci明确应使用波形当中的黑色信息。中点和单声道探测等其他自动功能都需要建立在这一设置正确的前提下方可获得准确结果。

覆盖固件稳定

较少情况下，胶片的帧画面可能会由于内部固件的稳定问题而出现大幅移动现象。这就会导致音频提取引导框和光学音轨无法对齐。如遇此类情况，请启用“覆盖固件稳定”选项，使音频提取引导框只跟踪胶片的齿孔来调整其位置，从而获得更好的效果。

变密式音频

如果您的胶片含有变密式音频，那么请确保选择“变密式音频”复选框，以便DaVinci Resolve明确需要提取的音频类别。变密式音轨的默认设置为“关”。

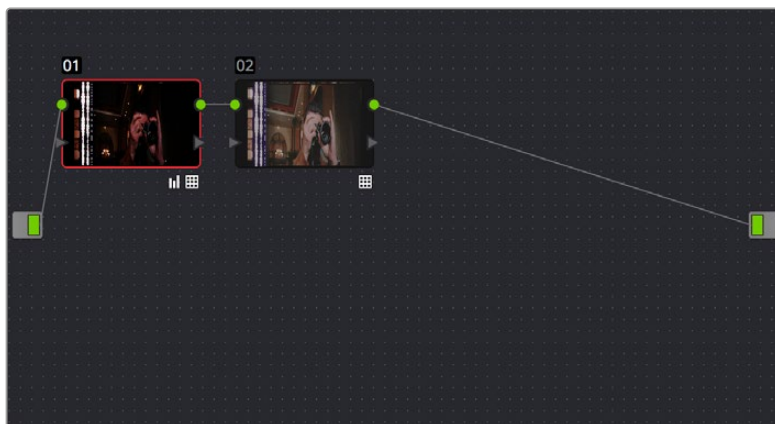
变密式音频轨道看上去像是许多密集且错落排列的线条，它和条形码类似，只不过后者的线条被压缩得更密集。相比之下，“变积式区域”的音轨看上去像是音频波形。

色彩空间和画面大小调整

为帮助您将扫描后的媒体文件转换为能进行进一步编辑的色彩空间，软件会提供一对1D LUT，即“Cintel负片到线性”和“Cintel正片到线性”。您可以在“调色”页面中通过节点来应用这组LUT，将原始扫描材料转换到线性色彩空间。但是，如果您想要将图像转换到Rec.709或Cineon进行进一步调整，那么就需要通过另一个节点再应用一个LUT。正片默认的色彩空间为2.2 Gamma标准对数曲线，所有其他胶片均为2.046胶片密度对数Gamma。

通常，在对负片应用了第二个LUT后，最好进行“色彩反转”。除此之外，线性数据需要进行一些调色操作来移除因Dmin造成的暗部偏移，以便更好地完成色彩空间转换。每个节点上下文菜单的3D LUT子菜单中都含有各种视觉特效输入输出LUT，它们都能帮助您将图像从线性色彩空间转换到工作所需的任何色彩空间。

详细信息，请参考DaVinci Resolve操作手册“使用LUT”章节中关于“在节点内应用LUT”部分的内容。

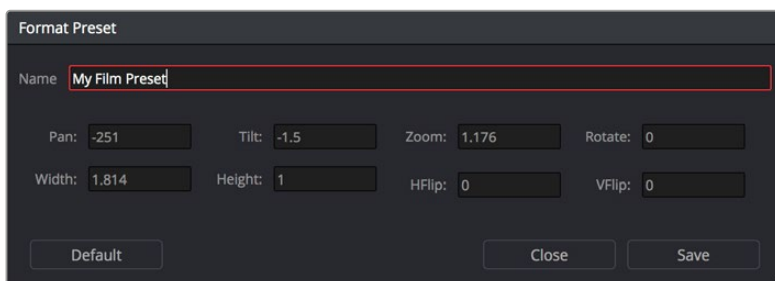


使用三个节点来转换应用有多个LUT的胶片扫描文件, 节点1可将负片转换到正片或线性, 节点2可将线性转换到Rec. 709, 如需色彩反转, 请使用节点3。

在节点内应用LUT将裁切0以下和1以上的所有图像数据。为了防止裁切, 您可以使用暗部/中灰/亮部控制项对任何已应用了某一LUT的节点进行图像电平调整, 然后再让这一LUT对该节点进行转换。

您所扫描的胶片格式, 以及影像的拍摄方式, 都会影响到构图。您可以通过调整大小、缩放、拉伸、平移、竖移等方式来调整扫描片段的最终构图。在“调色”页面, 打开“调整大小”面板, 使用“调整输入大小”模式, 根据需要进行构图。要将您的调整大小偏好保存为预设, 可打开菜单, 选择“另存为新预设”, 并输入预设名称即可。

当您为某类媒体文件创建一个合适的大小调整预设后, 您可以到调色页面或媒体池中使用已选片段上下文菜单中的“更改输入大小调整预设”命令, 一次性对多个胶片扫描应用这一预设。更多关于调整大小的信息, 请查阅DaVinci Resolve操作手册中关于“调整大小和图像稳定”部分的介绍。

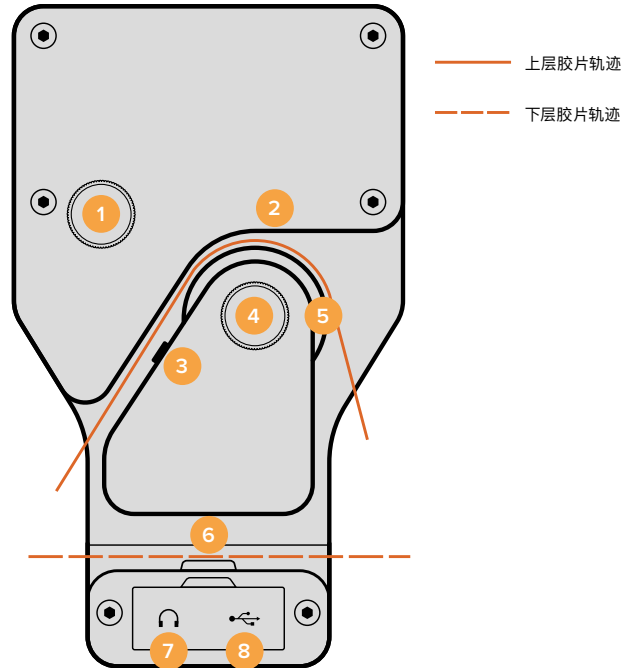


在调色页面的“调整大小”面板里创建一个大小调整预设

选购配件Audio and KeyCode Reader

选购配件Audio and KeyCode Reader可以提升Cintel Scanner的性能, 为35mm和16mm胶片采集光学和磁性音轨。音轨能够以从慢到比实时速度还快的一系列速度进行采集。此外, 它还能扫描胶片片卷中关于帧位置的KeyKode信息以及所使用的胶片。

该配件由以下部件组成:



1. 光学音频跟踪旋钮 2. 音频磁头 3. 光学音频扫描装置
4. 滚轮清洁旋钮 5. 滚轮 6. KeyKode扫描装置 7. 耳机端口 8. USB固件端口

将胶片穿过该读取装置上方后, 可提取胶片中的光学和磁性音轨。

当胶片穿过读取装置下方时, 可采集KeyKode信息。KeyKode数据位于一些负片的齿孔附近, 它们通常含有胶卷每帧的位置数据, 帮助识别胶卷的信息, 以及胶卷类型等其他细节。扫描获得的信息会被保存为Cintel Raw文件每一帧的元数据。

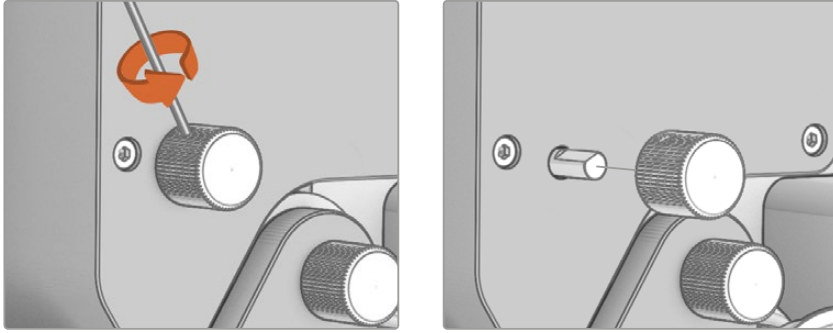
提示 未安装Audio and KeyCode Reader时, Cintel Scanner仍可采集光学音轨信息。扫描胶片后, 只需使用DaVinci Resolve胶片扫描仪面板中的提取音频功能即可。有关提取光学音频的更多信息, 请参阅本手册中“提取音频”部分的介绍。

安装Audio and KeyKode Reader

该读取装置可通过扫描仪左侧配件接口获得电源，这一接口是位于进片片卷下方的6针XLR配件接口。

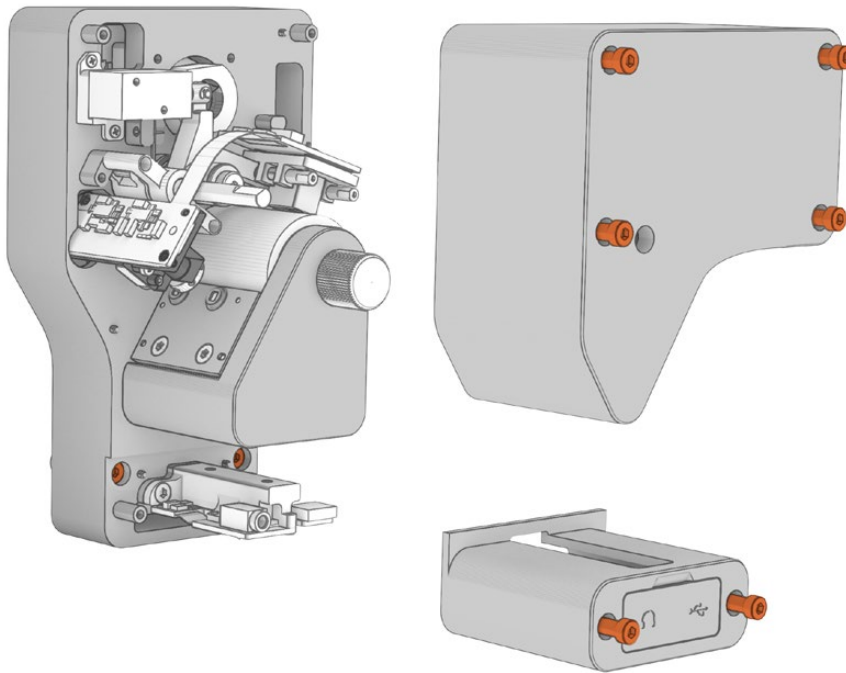
为您的Cintel Scanner安装Audio and KeyKode Reader:

- 1 首先，请确保您的Cintel Scanner已断开电源。
- 2 找到读取装置上方调节旋钮上嵌入一侧的小型定位螺钉。使用1.5mm规格的内六角扳手松开螺丝，然后将旋钮从控制轴上取下，以便移除读取装置上方的盖板。



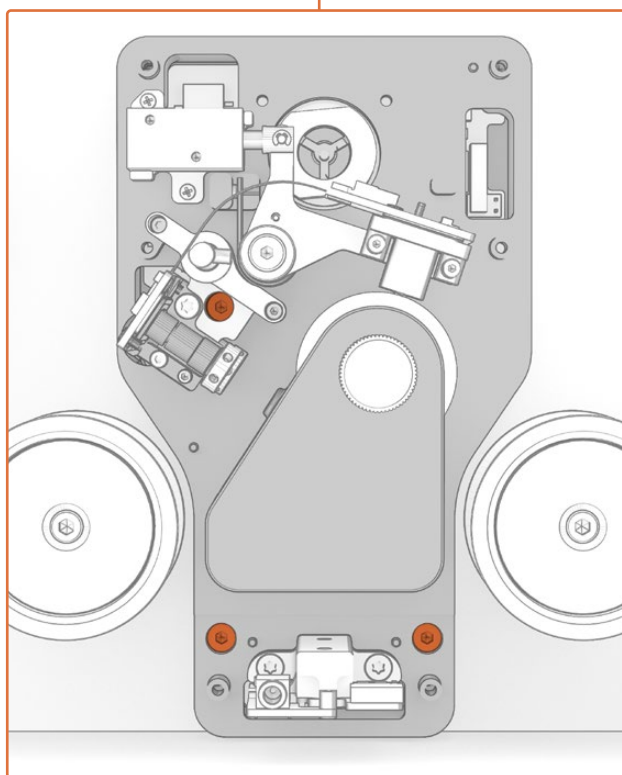
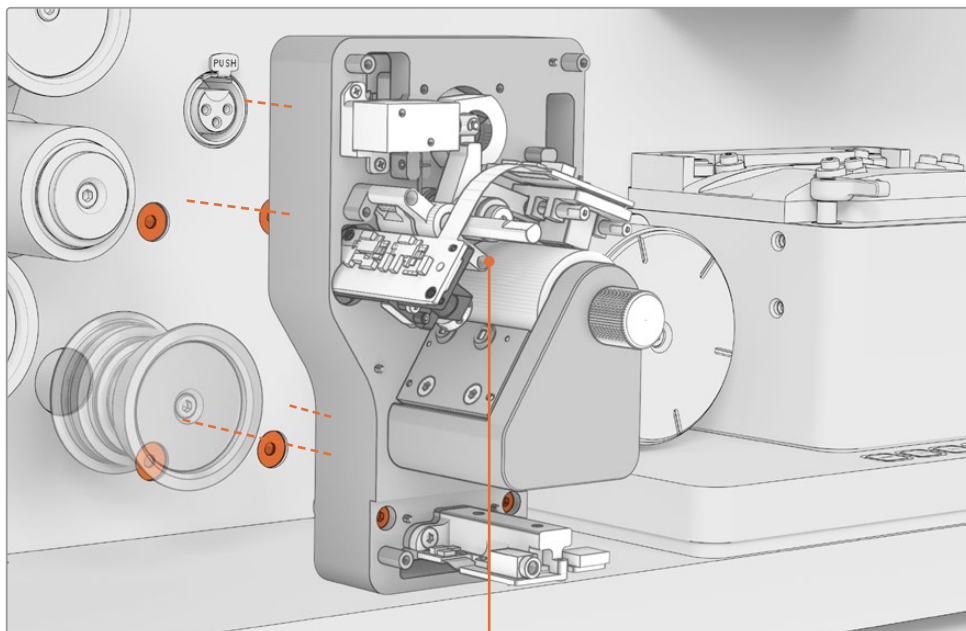
使用1.5mm规格的内六角扳手松开调节旋钮的定位螺钉，然后将旋钮从控制轴上取下

- 3 使用2.5mm规格的内六角扳手松开6枚M3螺丝，移除Audio and KeyKode Reader的上下两片盖板。这些螺丝采用“栓式”设计，因此会留在读取装置上。卸下盖板后，您就可以使用栓式螺丝将读取装置固定到Cintel Scanner上了。



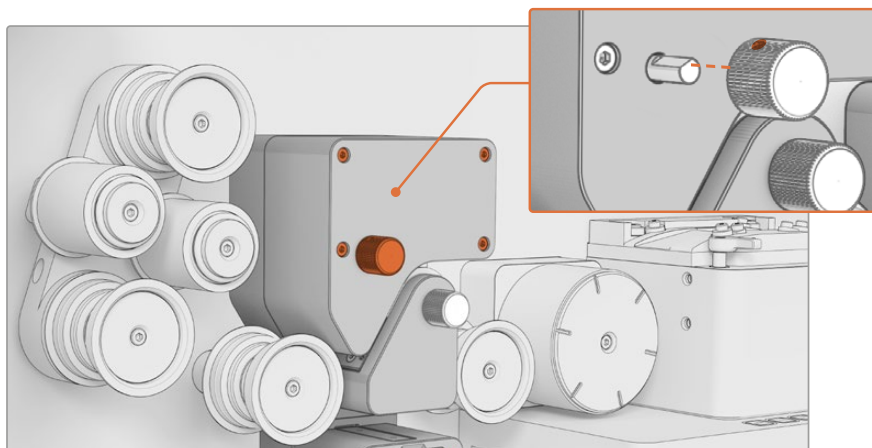
松开6枚M3螺丝，移除读取装置的上下两片盖板。由于螺丝采用栓式设计，您只要稍许旋开直至它们松开即可，请参考上面的图示。

- 4 使用2mm规格的内六角扳手卸下Cintel Scanner上的四枚M4螺塞。需要用到的是左上角的螺丝, 以及位于左侧XLR配件接口下方的两枚底部螺丝。
- 5 将读取装置的XLR公头连接到Cintel Scanner左侧配件接口的XLR母头, 从而将其固定到扫描仪上。
- 6 小心旋紧3枚柱式M3螺丝, 将Audio and KeyCode Reader固定到扫描仪上, 确保其平整均匀贴合到扫描仪后, 再旋紧到底。



使用三枚柱式M3螺丝, 通过左侧XLR配件接口将读取装置连接并固定到Cintel Scanner上。

- 7 重新安装Audio and KeyCode Reader的盖板并固定盖板螺丝。再次安装上方的调节旋钮, 轻轻将定位螺钉旋紧到控制轴的平正面。



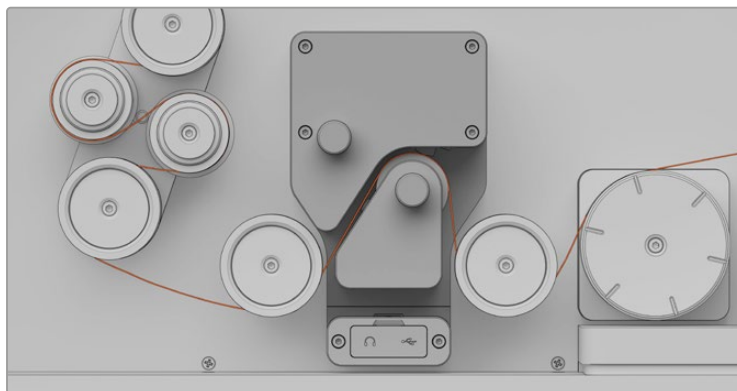
通过旋紧6枚柱式M3螺丝再次安装读取装置的盖板, 并且通过将螺丝旋紧到控制轴的平正面来再次安装调节旋钮。

读取音频

安装了Audio and KeyCode Reader后, 您的扫描仪就可以记录35mm和16mm胶片上的光学音频信息, 以及16mm胶片上的磁性音频信息。

穿片

开始实时记录音频信息前, 首先需要将胶片穿过该读取装置的音频路径。正确的穿片路径如下图所示。



将胶片穿过Audio and KeyCode Reader的上方来读取音频

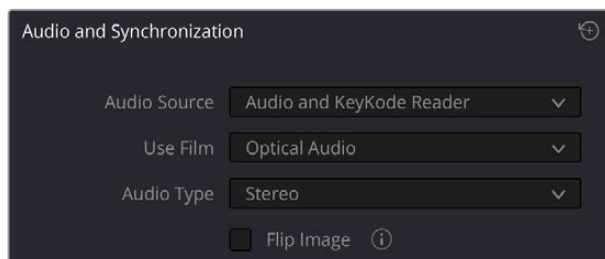
备注 当扫描光学音频时, 请特别注意16mm和35mm扫描LED的位置。35mm扫描LED更靠近Cintel机身, 而16mm扫描LED则离得比较远。

提示 当胶片穿过读取装置的音频路径时, DaVinci Resolve将会自动记录音频, 并将其添加到片段上。相反, 如果胶片穿过下方的路径, 则不会记录任何音频。

设置读取装置进行音频扫描

完成穿片后, 请打开DaVinci Resolve的胶片扫描仪面板, 到读取器配件窗格中设置“使用胶片”以及“音频类型”。您在“音频源”菜单中选择的选项将更改“使用胶片”和“音频类型”菜单中的可用选项。

这些设置可用来设定您想要读取装置执行的功能, 比如通过设置让读取装置扫描KeyKode信息, 或者不同的音频类型, 比如光学音频或磁性音频。



DaVinci Resolve胶片扫描仪面板里的“Audio and KeyKode Reader”窗格可用来更改“使用胶片”选项, 从而让它执行KeyKode扫描或音频扫描

提示 安装的胶片类型不同, 提供的选项也会有所不同。例如, 在DaVinci Resolve的胶片扫描仪面板中选择16mm胶片类型设置时, 会提供磁性音频选项。

音频源

可为扫描图像选择音频源。

无

没有音频轨道。“使用胶片”和“音频类型”选项不可用。

Audio and KeyKode Reader

使用Audio and KeyKode Reader读取胶片上的光学或磁性音频。

外部音频

选择这一选项将通过外部XLR音频端口接收模拟音频或AES/EBU数字音频。

使用胶片

使用这些设置可判定读取装置进行KeyKode还是音频读取功能。更多关于KeyKode数据读取的信息, 请参考“读取KeyKode”部分的介绍。

音频读取装置的设置包括:

光学音频

如果您想要扫描来自光学音轨上的音频, 请选择这一设置。

您可以通过检查胶片来明确该音轨是否是光学音频。如果您扫描的是35mm或16mm胶片, 并且注意到胶片一侧含有连贯的波形或者长而压缩的系列条纹, 就表示您的胶片含有一个光学音轨。

光学音频窄轨

当扫描光学音频时，胶片在印片时固有的收缩和变化间或表示您的胶片光学音轨比Audio and KeyCode Reader所扫描的区域小。这会导致音频读取装置扫描音轨两侧的齿孔或图像数据，最终对音频造成干扰。遇到这类情况时，调整读取装置的跟踪旋钮可以改善音频。但如果调整后音轨依然存在问题，请到“使用胶片”菜单中选择“光学音频窄轨”。这将会减少读取装置所扫描的20%的区域，并限制光学音轨周围不需要的区域，从而提高音频扫描的质量。

更多关于音频读取装置的跟踪功能信息，请参阅本章节稍后“跟踪”部分的内容。

磁性音频

如果要在16mm的胶片上扫描磁条音轨，请将“使用胶片”设置成“磁性音频”。

通过查找帧旁边的黑色条纹，可以识别16mm胶片上的磁条音轨。该黑色条纹在胶片的乳剂面呈铜色。

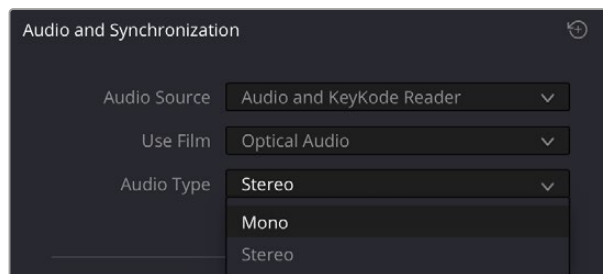
备注 扫描磁性条纹音频时，出于适当均衡考虑，我们建议将扫描速度设置成每秒24帧。如果使用其它的速度进行扫描，则可能需要在后期制作时调整音高。

音频类型

设置了“使用胶片”选项后，从“音频类型”菜单中选择音频类型。

立体声或单声道音频

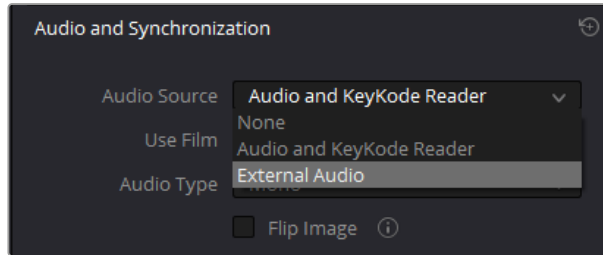
您可以通过观察胶片，轻松判断出光学音频是立体声还是单声道。如果看到两段并排的波形，表示您的胶片使用的是立体声音轨。如果仅看到一段波形或者密度不一的音频压缩条纹，则是单声道音频。磁性音频始终是单声道。



根据胶片的音频类型来选择“立体声”或“单声道”音频

外部音频

点击音频源下拉菜单, 选择“外部音频”。



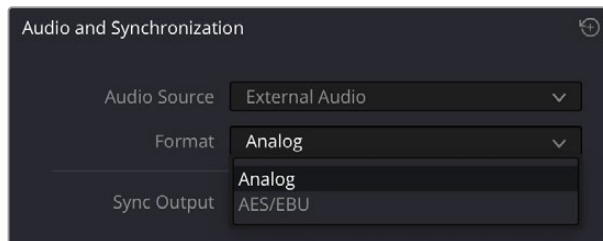
选择“外部音频”时, Cintel Scanner机身侧面的XLR音频输入可接收模拟音频或AES/EBU数字音频。请从“格式”菜单中选择合适的选项:

模拟

如果使用平衡模拟音频, 请选择这一设置。

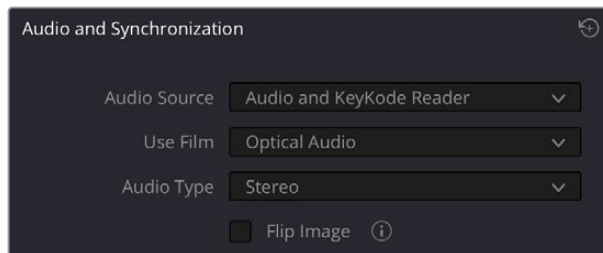
AES/EBU

如果接收的是AES/EBU音频 (即AES3), 请选择这一设置。



翻转图像

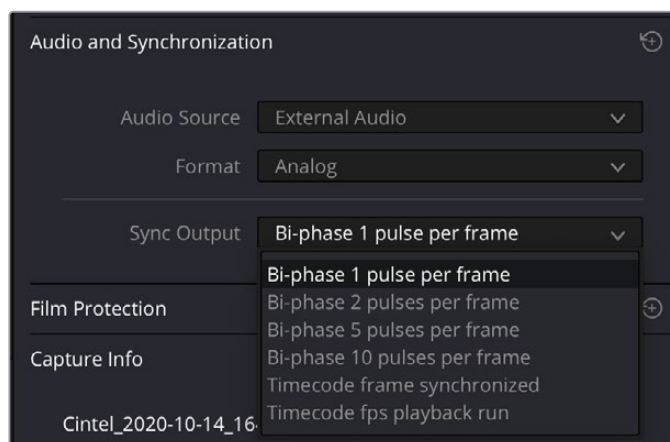
如果从负片胶片类型扫描音频时图像是反的, 请勾选“翻转图像”复选框。



启用“翻转图像”选项可对帧画面进行镜像翻转

同步输出

如果扫描仪通过面板一侧的XLR端口与需要同步的外置设备连接, 可以使用“同步输出”菜单选择同步格式。



“同步输出”菜单中的双相位和时间码输出选项

“双相位”可通过标准音频XLR3差分对输出两路单端正交信号, 因此方向和频率可以您所选择的速率发送。“时间码帧已同步”可每发送一帧输出一路时间码值。“时间码fps回放运行”可以您项目的胶片帧率所决定的固定速率输出时间码。电压输出可自动在4.5V双相位和1.5V时间码选项之间切换。

备注 时间码输出支持24、25及30fps, 自由运行或帧锁定。其他帧率下, 时间码输出不可用。

采集速度

安装了Audio and KeyCode Reader, 并将其配置为采集音频后, Cintel Scanner的最大扫描速度将会被限制在胶片目标帧率的125%。例如, 当扫描播放速度为每秒24帧的胶片时, 扫描仪的最大扫描速度将会是每秒30帧。这样可保证48kHz的采样率。

跟踪

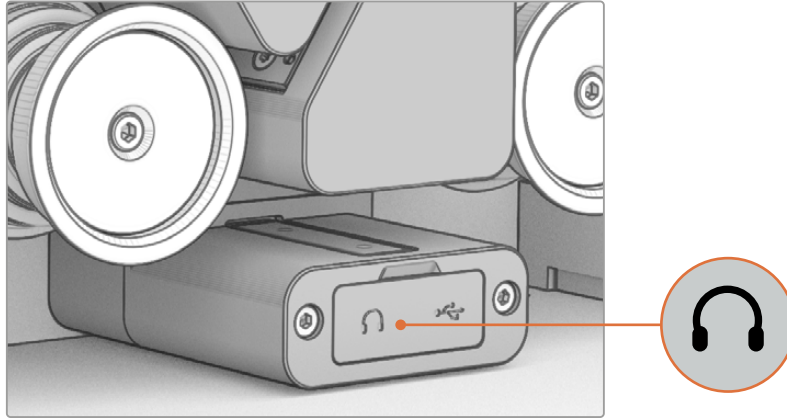
胶片不同, 其光学音轨的位置也会有所不同, 因此, 请务必确保您的读取装置扫描胶片上正确的音频区域。您可以使用音频读取装置上的跟踪功能对光学音频扫描头的位置进行微调, 以确保可以获得最佳质量。

要使用跟踪功能, 请执行下列操作:

- 1 将耳机或者音频分析器插入到读取装置3.5mm耳机接口上。掀起橡胶防尘盖即可找到接口。
- 2 插入耳机或分析器后, 使用扫描仪的播放控制滑移到胶片音频出现的地方, 然后播放胶片。
- 3 在聆听或分析胶片的音频时, 可以顺时针或逆时针旋转跟踪旋钮。跟踪旋钮位于读取装置的上方。调整跟踪旋钮时, 扫描头将会靠近或远离胶片的边沿, 从而进一步将其调整到光学音轨上的最佳位置。如果连接耳机, 那么调整跟踪旋钮时, 可同时听到音频响度和清晰度的变化。同理, 如果连接音频分析器, 那么调整跟踪旋钮时, 音频的精确度会随之升高或降低。

对于立体声音轨, 只要进行调整, 直至两个通道具备相同的音频强度和清晰度, 且声音不失真, 即可找到最佳音频位置。

对于单声道音频, 当调整跟踪旋钮时, 可将音频类型设置成立体声。这能有助于您使用左右立体声通道来平衡音轨, 从而确保单声道音轨可扫描获得最佳质量。不过, 优化音轨后, 请务必记得将音频类型重置为单声道。

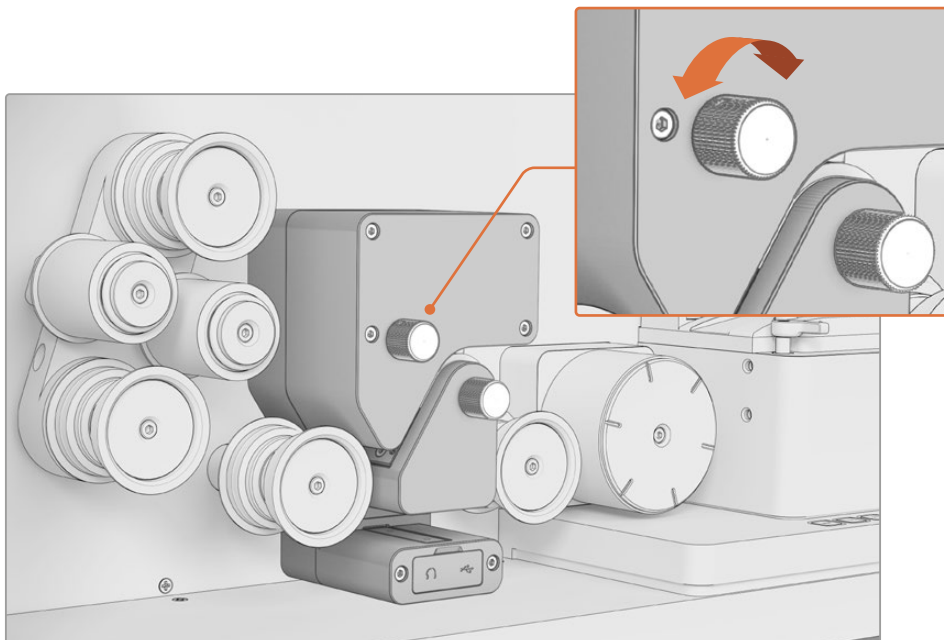


Audio and KeyCode Reader的耳机接口位于读取装置底部的橡胶防尘盖后侧

通过HDMI或耳机接口来预监音频

由于胶片音轨会提前数帧印在与其同步的画面之前, 因此, Cintel Scanner会自动延迟音频, 从而通过HDMI输出与画面进行同步, 并在所扫描的片段中进行同步。

耳机接口直接从音轨中输出实时、不同步的音频。这意味着当您进行跟踪调整时, 可以即时听到差异, 没有延迟。



旋转跟踪旋钮可调整音频头的位置, 从而提高光学音频扫描的质量

采集光学音频时, 如果读取装置的胶片滚轮没有转动, 那么它将会暗化LED灯。读取装置与扫描仪的状态同步, 因此, 如果扫描仪进入待机模式, 读取装置也相应地进入待机模式。

磁性音频跟踪

Audio and KeyCode Reader的音频磁头在出厂时就已预先配置好, 无需进行调整。介于磁性音频的性质, 少量的重叠不会导致失真, 因为这些区域并没有携带磁性信息。在印片过程中, 通常磁性音轨的位置变化也较小, 读取装置的磁头会稍大于音轨, 以补偿任何可能的错位。

高级跟踪

除了这里所列出的跟踪调整, 读取装置也支持:

- 磁性音频方位和跟踪调整
- 光学音频方位调整
- 光学音频对焦调整

大多数用户不需要更改这些设置。有关这些高级调整设置的信息, 请访问Blackmagic支持中心 www.blackmagicdesign.com/cn/support。

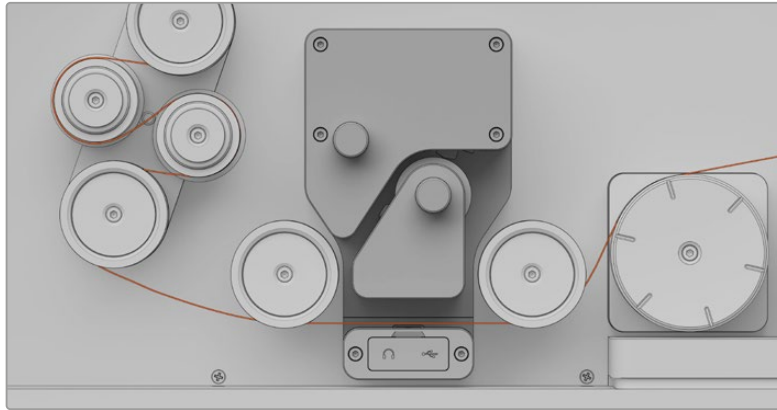
开始扫描

设置了音频类型并调整跟踪后, 就可以开始进行扫描了。详情请参考“扫描一段或多段胶片”部分的介绍。

值得注意的是, 只有当扫描仪发送同步的音频和视频信息时, DaVinci Resolve才会开始写入文件。由于音频信息在打印时会比对应的帧提前数帧, 这就意味着扫描仪到达速度和显示屏上出现扫描影像之间会有大约一秒钟的短暂停顿。

读取KeyKode

扫描KeyKode数据时的穿片方式与没有安装读取装置时的穿片方式完全相同。胶片从滚轮走带至保护板时,会很自然地通过KeyKode读取装置。正确的穿片路径如下图所示。

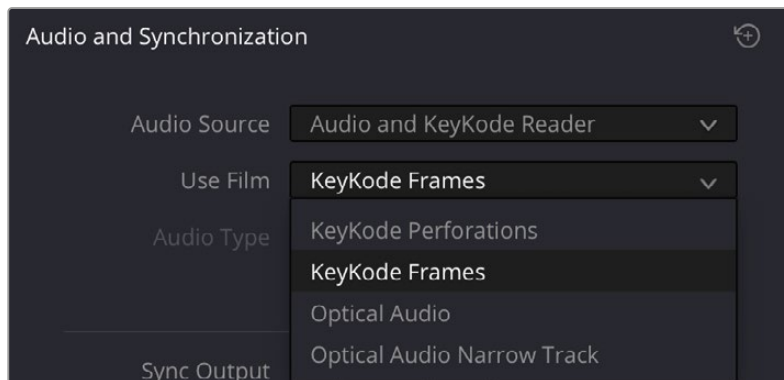


将胶片穿过Audio and KeyKode Reader下面的部分来扫描KeyKode数据

备注 采集KeyKode信息时, 请确保胶片的KeyKode部分经过扫描LED。

设置读取装置用于KeyKode扫描

胶片通过KeyKode读取装置妥当穿片且拉紧后, 需要将Cintel Scanner设置成读取KeyKode。到DaVinci Resolve胶片扫描仪面板, 在“使用胶片”菜单中选择“片边码齿孔”或“片边码帧”。当您导出DPX文件时, KeyKode信息将相应以帧或齿孔来表示。



在“使用胶片”菜单中选择“片边码齿孔”或“片边码帧”将KeyKode数据扫描到负片影像

使用胶片

使用这些设置可判定读取装置进行KeyKode还是音频读取功能。关于音频读取的详细信息, 请参阅“设置读取装置进行音频扫描”章节的内容。

KeyKode读取装置的设置包括：

片边码齿孔

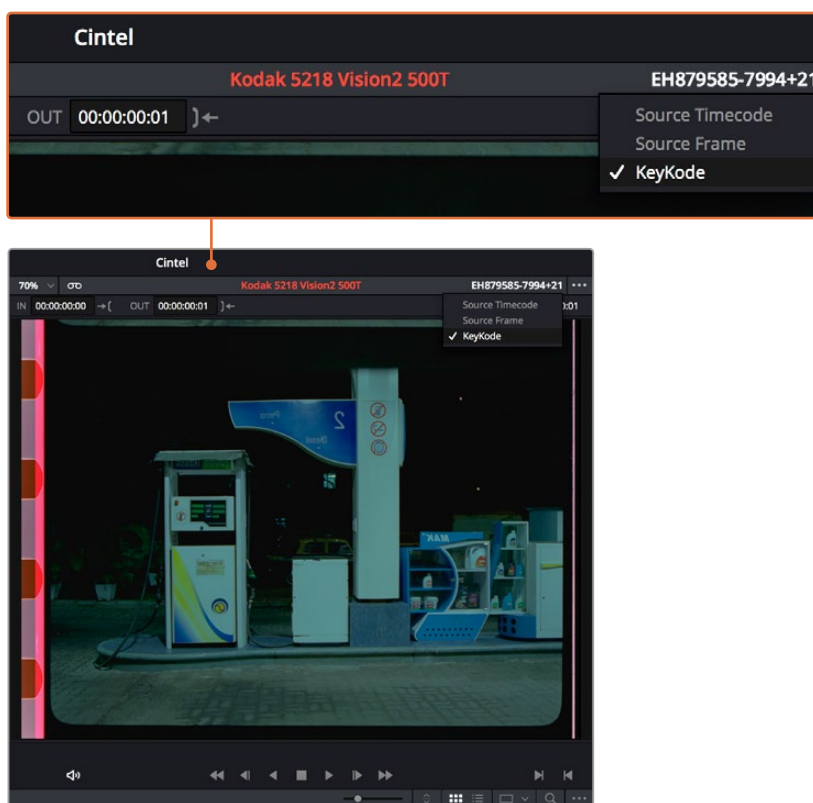
选择“片边码齿孔”可根据齿孔数值记录KeyKode。

片边码帧

为任意类型的胶片选择“片边码帧”可按照确切帧数来记录KeyKode。

读取装置将会扫描胶片上出现的任何KeyKode信息，并将其保存为每个片段的元数据。KeyKode元数据还会显示在DaVinci Resolve胶片扫描仪面板检视器的顶部。

要查看这些信息，只要点击检视器右上角的检视器选项图标，并从菜单中选择“片边码”。



点击右上角的检视器选项，并从菜单中选择“片边码”，可将检视器设置为显示KeyKode数据

KeyKode信息经常会被采集并添加到DPX数字中间片中，具体内容会在下节内容中详述。但是，这些元数据与任何其它的元数据相同，也适用于DaVinci Resolve的“剪辑”和“调色”页面。

转码成包括KeyKode元数据的DPX文件格式

如果需要，您还可以设置DaVinci Resolve将所扫描的信息转码成DPX文件格式，它将会保留全部的KeyKode元数据。

将扫描信息转码成DPX步骤如下：

- 1 进入屏幕上方的菜单栏，并点击“文件”，然后选择媒体文件管理。
- 2 在媒体文件管理窗口中，点击“片段”图标，对所有片段进行单独转码，并选择“转码”。
- 3 浏览至所选的存储文件夹，设置媒体文件目标位置，并点击“OK”。

- 4 启用“将所有媒体转码”单选按钮,对时间线上的所有媒体文件进行转码。
- 5 在视频设置中,将视频格式设置成“DPX”,并选择所需的编解码器设置。
- 6 分辨率会自动匹配时间线分辨率,但是如果转码成不同的分辨率,您也可以更改设置。通过启用“以源分辨率渲染”复选框,也可以将其设置成匹配片段的源分辨率。
- 7 在音频设置中,选择要包括在DPX文件中的声道数,或选择“与源文件相同”以匹配源片段中的音频,并设置音频位深。
窗口底部的DaVinci图标将会显示当前媒体文件的大小,并在转码成DPX文件后也会显示媒体文件的大小。
- 8 点击“开始”。

时间线上的所有片段都会被转码成嵌有KeyKode信息的DPX文件。有关将Cintel Raw文件转码成其它格式的详细内容,请参阅《DaVinci Resolve手册》中“媒体文件管理”部分的介绍。

进入DaVinci Resolve的“交付”页面,并将您的文件导出为DPX文件,也可以将Cintel RAW文件渲染成嵌入KeyKode的DPX文件。请确保在“渲染”设置中选择“各个独立的源片段”,从而实现每个文件的单独导出。

设备保养

为获得理想扫描质量，请务必保持扫描仪清洁无尘。要做到这一点并不难，只要定期清洁PTR滚轮，并使用吹尘器清洁扫描仪其余表面即可，包括硬橡胶滚轮、驱动轮和保护板。

清洁PTR滚轮

每次进行胶片扫描之后，您都应对PTR滚轮进行清洁。清洁步骤很简单，只需卸下每个PTR控制轴最内侧的O形环，然后取下滚轮即可。使用家用的餐具洗涤剂兑以温水清洗滚轮，然后自然晾干。不建议您使用毛巾擦拭或使用吹风机吹干滚轮，这样操作会使滚轮再次沾上灰尘，而且吹风机的热度有可能导致滚轮变形。风干后，只需将滚轮和O形环安装回原处即可开始新的扫描工作。

如果PTR滚轮由于变硬导致安装或拆卸困难，请在O形环内侧涂抹少量硅润滑脂，即可保持润滑，从而便于卸下部件进行清洗。



PTR滚轮的清洁步骤很简单，只需卸下每个PTR控制轴最内侧的O形环，然后顺势取下滚轮即可。

如果PTR滚轮由于老化和磨损等原因，在清洁之后依然没有粘性，或者较难安装和移除，您可以登陆Blackmagic Design官网www.blackmagicdesign.com/cn购买新的滚轮。

清洁滚轮

请根据需要清洁滚轮，建议您在每卷胶片进行扫描之前进行清洁。使用前，请先让滚轮自然风干。

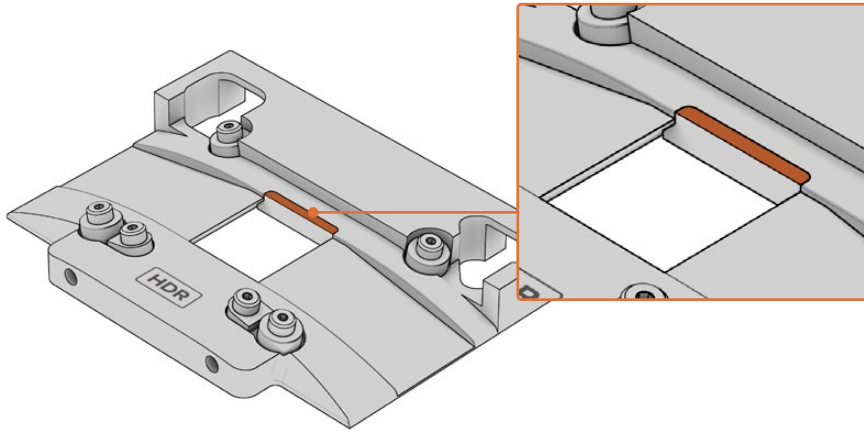
备注 请小心处理，防止滚轮附近的电子元件受到液体侵蚀。用无绒布蘸取少量清水。清洁滚轮时，切勿使用任何溶剂或喷雾。

除尘

您需要每日为扫描仪进行除尘。步骤很简单，只要使用吹尘器清除扫描仪片门、驱动轮以及其他接触胶片的部件表面的灰尘即可。卸下片门进行清洁，则效果最为理想。

除尘时，请特别注意扫描仪片门上的小型塑料填充物。如果这些地方积聚微尘会影响稳定性能，所以不时要用湿布擦拭清洁。

为选配的8mm片门除尘时，可使用吹尘器或无绒布清洁轴承表面和光圈快门。此外，轴承槽内的空隙也需要时常清洁，以避免积累灰尘。



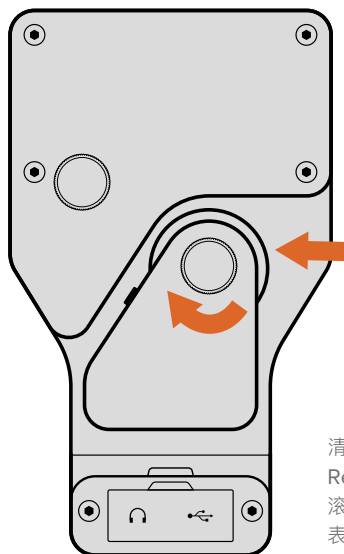
除尘时，请特别注意片门上的小型塑料填充物

同时，也请定期清洁扫描仪RGB光源上的镜头。只需以清洁布蘸取少量异丙醇擦拭即可。

吹尘器和异丙醇均可从电子商店购得。

清洁Audio and KeyCode Reader上的滚轮

Audio and KeyCode Reader包含一个橡胶滚轮，用于将胶片穿过其上部的轨道，请定期使用沾湿的清洁布擦拭此处。只要取下任何穿过上部轨道的胶片，在转动清洁旋钮的同时，将湿布贴近滚轮进行擦拭，即可去除任何积聚的灰尘。

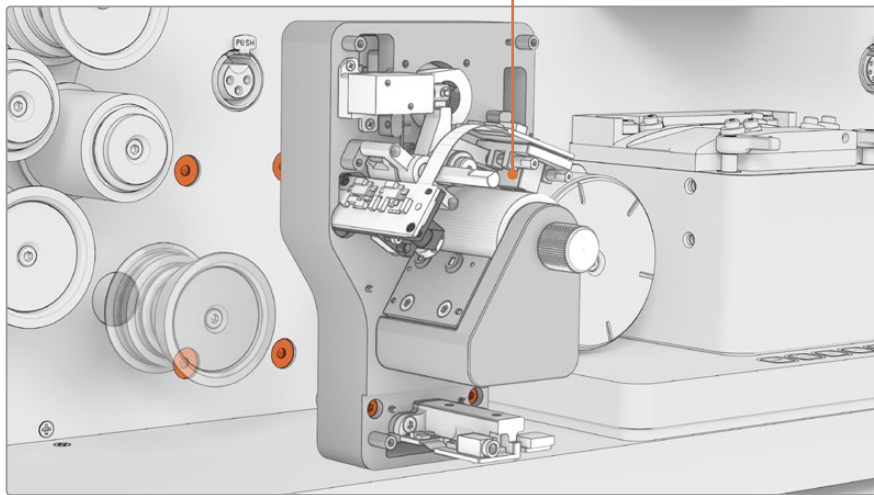
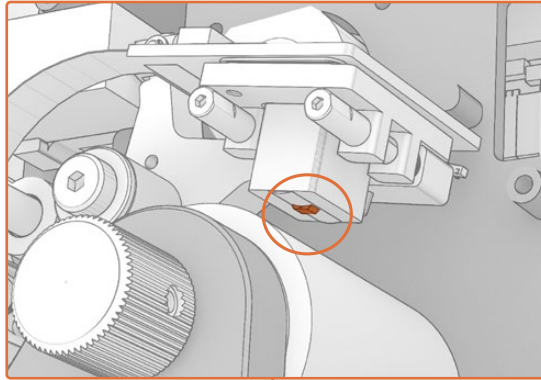


清洁Audio and KeyCode Reader胶片滚轮时，请一边转动滚轮旋钮，一边将湿布贴近滚轮表面进行擦拭，以擦除灰尘。

我们建议仅使用清水来清洁Audio and KeyCode Reader的滚轮和磁头。不需要用酒精、二甲苯和其它的化学品，这些可能会损坏读取装置的配件。

清洁Audio and KeyCode Reader的磁头

建议您定期清洁Audio and KeyCode Reader的磁头。清洁磁头时，请用2.5mm规格的内六角扳手松开4枚M3螺丝，取下读取装置的顶盖。



取下Audio and KeyCode Reader顶盖即可找到磁头

找到磁头，以棉签沾水，除去多余水分，然后轻轻擦拭磁头表面以去除灰尘。擦拭完成后，待磁头完全风干，再重新安装读取装置的顶盖。

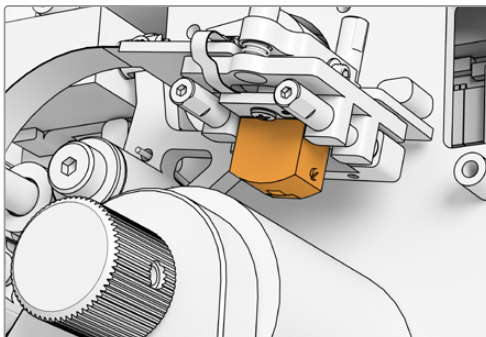
磁头在出厂前已消磁，因此无需再进行额外的消磁操作。

Cintel Scanner的备件

Cintel Scanner主要元件的备件均可从您所在地区的Blackmagic Design技术支持办事处获取。Cintel Scanner的保养和维护工作一般来说较为简单直观，但如有任何问题，请前往您当地的办事处寻求帮助和相关资料。

更换磁头

当磁性胶片通过Cintel Audio and KeyCode Reader的磁头时, 会慢慢地抛光其表面, 磨损磁头间隙并降低音频质量。我们建议根据使用情况, 每两到三年更换磁头。



备注 Cintel Scanner磁头有两个版本:

磁头版本1

该版本的磁头目前已不再供应, 它安装在序列号早于6943522的旧款Audio and KeyCode Reader上。

磁头版本2

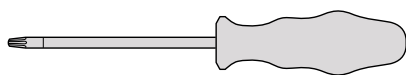
这是当前使用的磁头版本, 它安装在序列号晚于6943522的Audio and KeyCode Reader上。

如果您的Audio and KeyCode Reader上已经安装了版本2的磁头, 可按照本手册这个章节中的步骤来替换磁头。

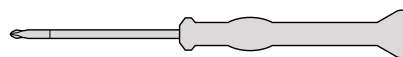
如果您安装的是版本1的磁头, 需要升级到版本2磁头型号。这个升级过程更为复杂, 需要额外的零件和更高的技术水平来完成。更多详情请参考“Cintel Audio and KeyCode Reader V2 升级程序”文件内容。或者, 您也可以求助我们的办事处工作人员完成该升级操作。下载升级程序文件或联系获取支持, 请访问网站www.blackmagicdesign.com/cn/support。完成后, 其维修程序与版本2磁头相同。

所需工具

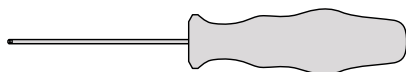
请准备下列工具:



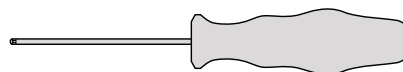
T10螺丝刀



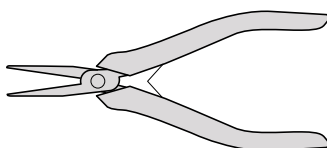
PH 00螺丝刀



1.5 x 60六角螺丝刀



2.5mm六角螺丝刀



小镊子或钳子

备注 请确保使用非磁性工具, 从而避免需要对磁头进行消磁处理方可获得理想性能。

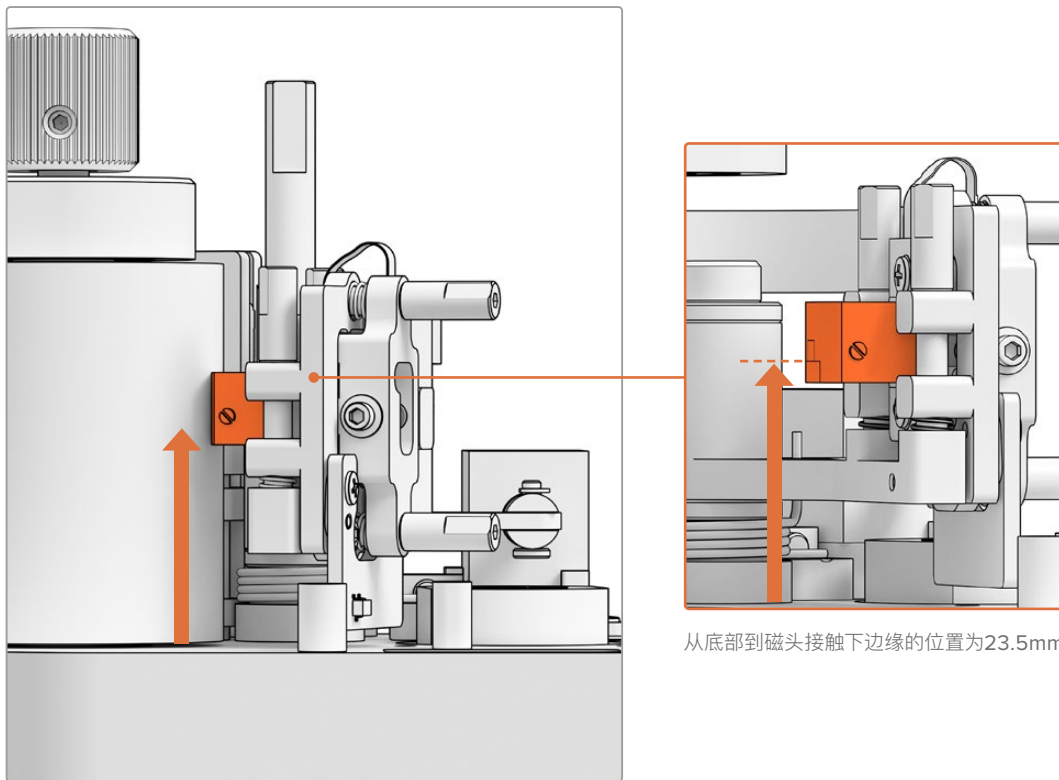
升级前准备

为确保Audio and Keycode Reader的理想性能, 我们建议在替换前采集参考音频, 以便对比音频质量。

以下胶片类型是参考音频的几个好的示例:

- S16mm Bezugs BF16-10A DIN 15638 25fps多频磁性测试胶片。
- S16mm SepMag胶片。
- S16mm牵引片。白色。
- 多频S16mm ComOpt SMPTE P16MF。
- 多频S35mm ComOpt SMPTE P35MF。
- 适合用户参考的Combined Magnetic (ComMag) 胶片。
- 适合用户参考的Combined Optical (ComOpt) 胶片。

标记磁头的原始位置。这是在执行更新后重新安装读取装置时检查跟踪功能的必要步骤。测量时, 请务必测量从读取装置底部到磁头接触面边缘的距离。理想状态下, 这一距离大约是23.5mm。



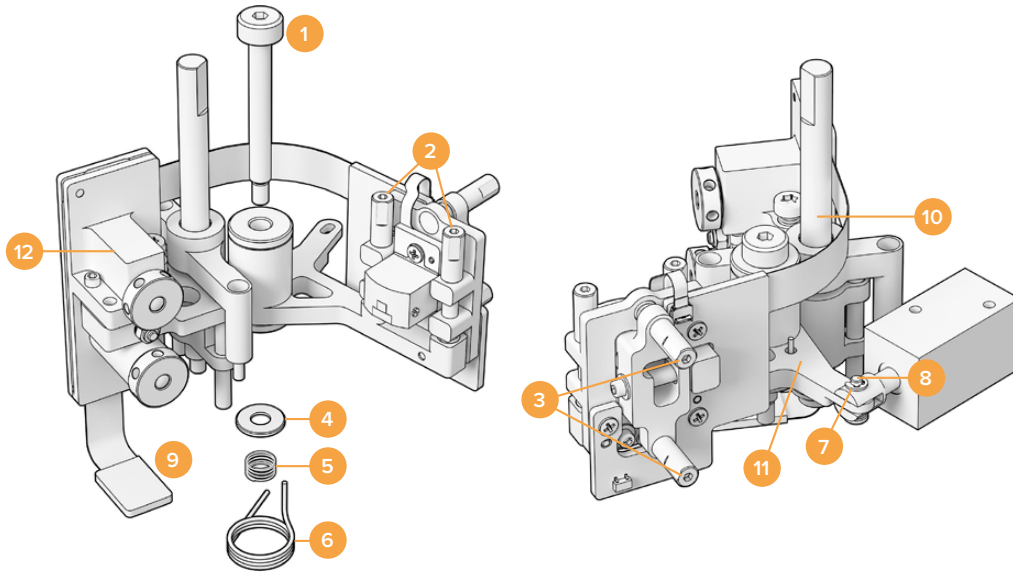
磁头距离读取装置底部的高度

从底部到磁头接触下边缘的位置为23.5mm

完成跟踪检查后, 您就可以将读取装置从扫描仪卸下。具体操作, 请查阅本手册“安装Audio and KeyCode Reader”部分的介绍。

更换磁头PCB

开始更换磁头前, 请参阅下面的示意图, 方便您熟悉磁头的子部件。

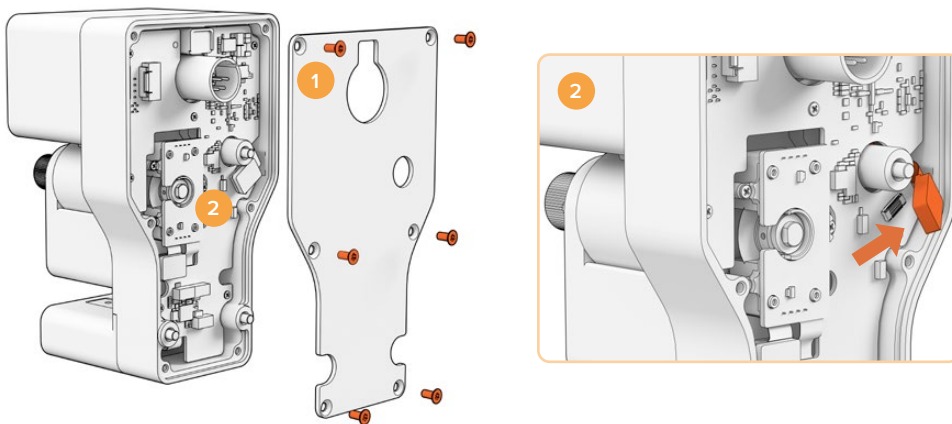


磁头连接臂子部件

- | | |
|----------------------|--------------|
| 1 M3带肩螺丝 | 7 E型卡簧 |
| 2 A1和A2方位角螺丝, 用于垂直调整 | 8 定位销 |
| 3 B1和B2天顶角螺丝, 用于倾斜调整 | 9 音频连接臂PCB接口 |
| 4 螺旋弹簧垫圈 | 10 高度调整卡口 |
| 5 预紧弹簧 | 11 磁头连接臂 |
| 6 磁头连接臂扭簧 | 12 光学区块 |

当您熟悉了Audio and KeyCode Reader各个零件并准备好所有必需工具后, 就可以开始更换磁头的步骤了。

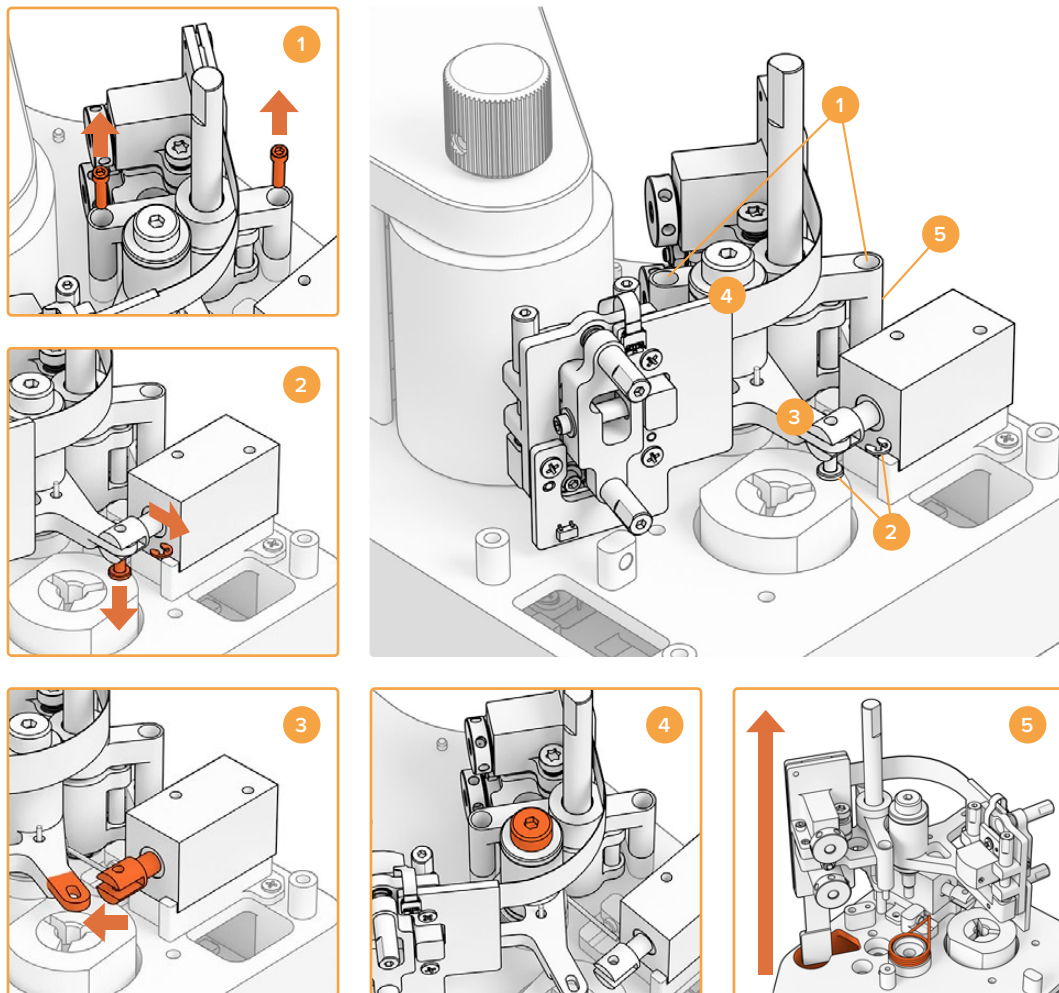
卸下读取装置背板



1. 卸下背板 2. 断开子部件连接

- 1 想要看到PCB主件后侧，您需要拆除后盖。用T10螺丝刀松开六枚M3埋头Torx螺丝，卸下后盖。
- 2 在读取装置后侧，翻开接口锁扣将子部件与主PCB断开。

移除子部件



1. 移除高度调整部分
2. 螺线管E型卡簧和定位销
3. 断开磁头连接臂部分
4. M3带肩螺丝
5. 卸下子部件

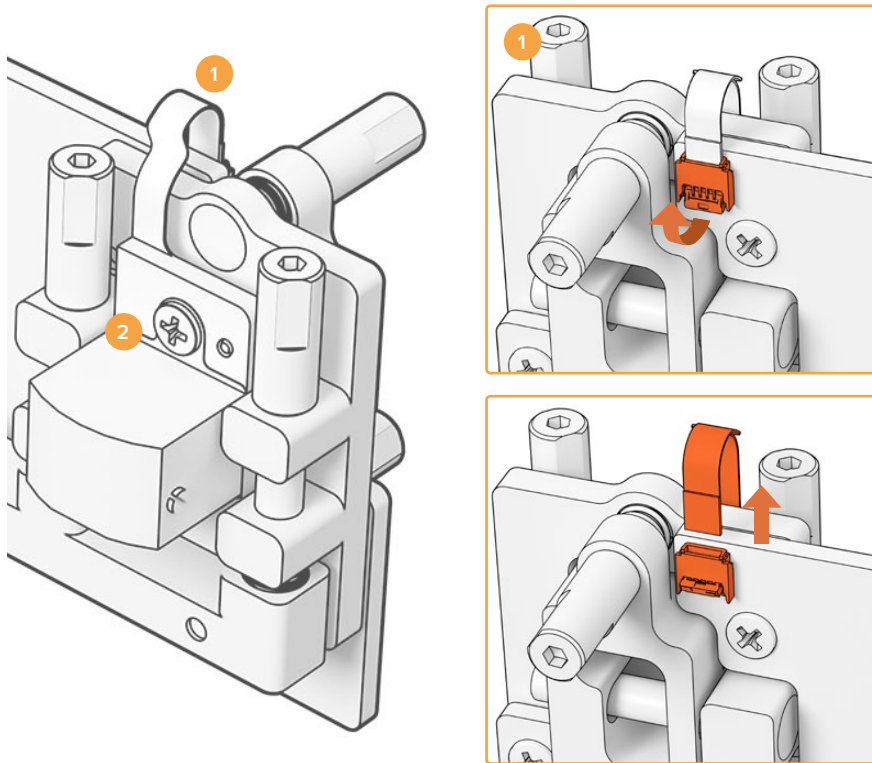
- 1 将读取装置正面朝上轻轻放置。使用1.5规格六角螺丝刀将高度调整卡口每侧的两枚M2六角螺丝卸下。
- 2 使用小镊子或钳子，将E型卡簧小心卸下，以便取下定位销，并将连接臂与螺线管分离。

提示 要妥善卸下定位销，请摆动音频连接臂，直到定位销可以在筒夹螺母和螺线管之间的空间移动。筒夹螺母是XLR连接器后侧的螺母，可用来夹紧线缆。

- 3 将磁头连接臂从侧面抽出，让子部件从螺线管处松开。
- 4 使用2.5mm六角螺丝刀将M3带肩螺丝卸下。
- 5 请小心将子部件从读取装置卸下，务必确保音频连接臂PCB连接器从PCB主板的洞口穿过。这个步骤中磁头连接臂扭簧可能会松开。请在重装子部件前，保管好该零件。

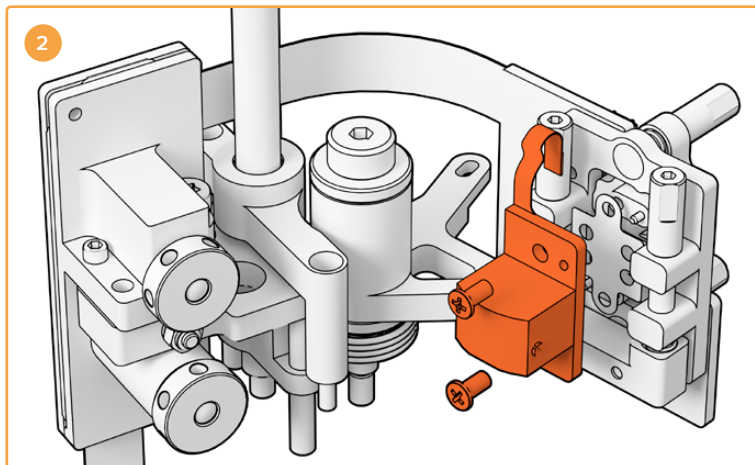
将带肩螺丝上的螺旋弹簧垫圈和预紧弹簧取出，并将磁头连接臂扭簧从安装槽取出。

移除磁头



1.PCB连接器锁扣 2. 磁头断开部分

- 1 打开位于音频连接臂PCB部分后侧的连接器锁扣，松开磁头PCB。断开后，取出PCB。

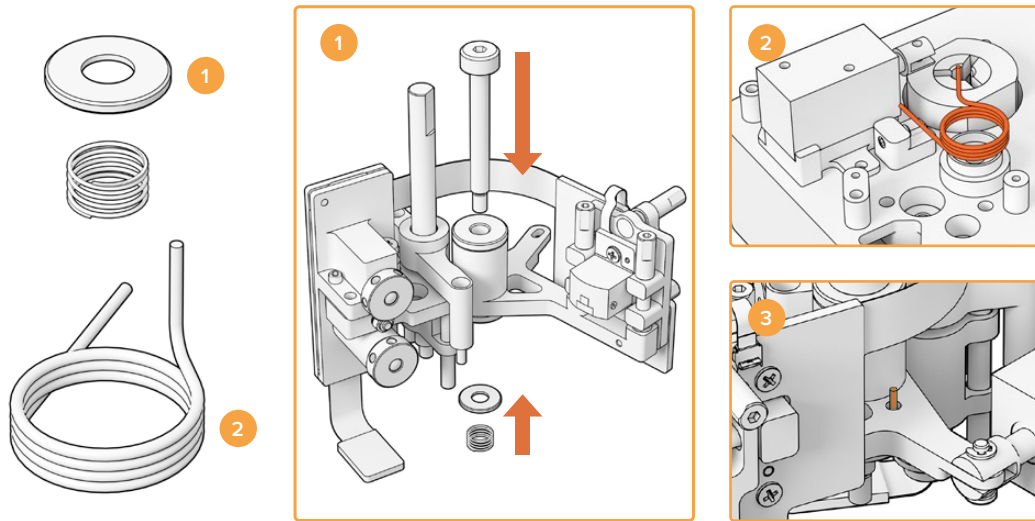


- 2 使用PH00螺丝刀取下两枚M2盘头螺丝，将原来的磁头PCB从磁头方位卡口上卸下。旧的磁头PCB就可以扔掉了。

要安装新的磁头，只需按照磁头拆卸说明，以相反顺序完成即可。

重新安装子部件

替换完磁头后，您可以继续将子部件重新安装到Audio and KeyKode Reader上。



1. 螺旋弹簧垫圈和预紧弹簧 2. 磁头连接臂扭簧 3. 将磁头连接臂扭簧插入音频连接臂部分

- 1 将螺旋弹簧垫圈装在M3螺丝上，凹痕一端朝下。再将预紧弹簧装在M3螺丝上。
- 2 将磁头连接臂扭簧放在安装槽。
- 3 音频连接臂上有一个小孔，是针对磁头连接臂扭簧朝上的部分设计的。安装子部件时，请将扭簧的上端插入图示小孔内。
- 4 把这些弹簧安装在子部件和安装槽后，就可以将子部件安装至读取装置。只需按照之前的步骤说明反向操作即可。

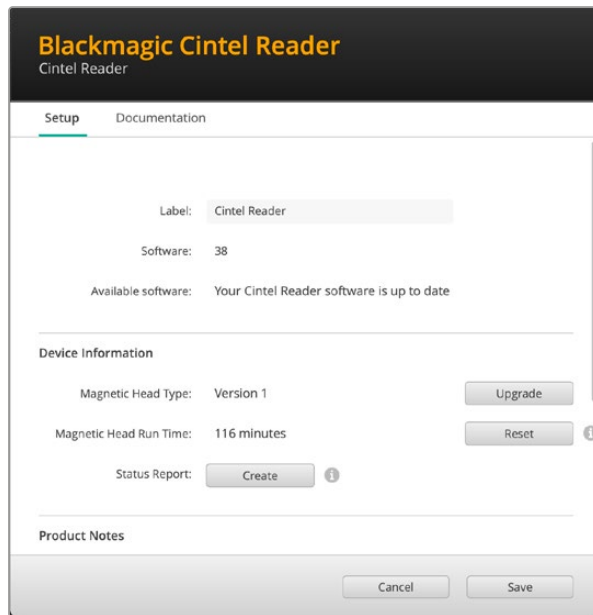
提示 将子部件安装至读取装置时，请确保音频连接臂PCB连接器穿过PCB主板的小孔。

子部件安装完毕后，就可以将Audio and KeyKode Reader安装回Cintel Scanner。将读取装置连接至Cintel Scanner的XLR端口，并用三枚M3栓式螺丝固定。

请先不要安装读取装置的前面板，因为您需要调整组件进行校准和测试。

重置磁头运行时间

更换完Audio and KeyCode Reader磁头后, 您需要运行Cintel Setup实用程序重置运行时间计数器。



在“Device Information” (设备信息) 部分, 点击标有“Reset”的重置按钮。该步骤将重置运行时间计数器, 以便您掌控新磁头的使用情况, 并明确何时需要再次更换该部件。

Cintel Setup实用程序里的“Upgrade” (升级) 按钮仅适用于硬件版本1到2的磁头读取装置升级。详情请访问网址: www.blackmagicdesign.com/cn/support。

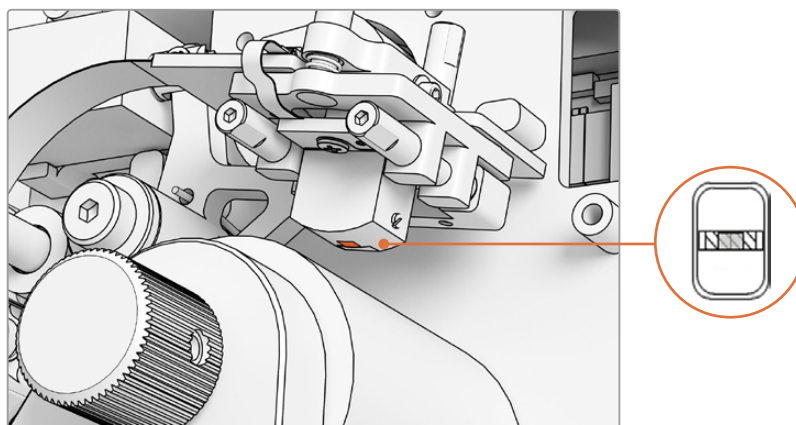
检查磁头对齐情况

正确对齐磁头十分重要, 这样能有助于确保高质量录音, 并且尽量减少磁头不均匀磨损的情况。

使用DaVinci Resolve采集适合的光磁音频文件, 以便与原始数据文件进行比较。我们建议您使用以下参考胶片为升级后的磁头进行相应的测试:

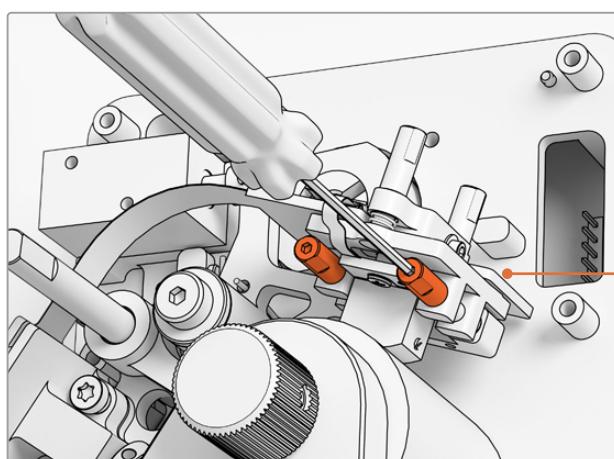
- S16mm Bezugs BF16-10A DIN 15638 25fps多频磁性测试胶片。
- S16mm SepMag胶片。
- S16mm牵引片。白色。
- 多频S16mm ComOpt SMPTE P16MF。
- 多频S35mm ComOpt SMPTE P35MF。
- 适合用户参考的Combined Magnetic, 即CoMAG胶片, 以及Combined Optical, 即ComOpt胶片。

磁头

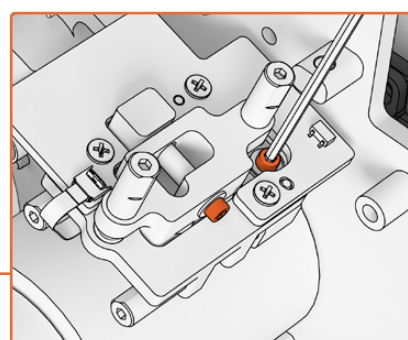


Audio and KeyCode Reader内的磁头

调整磁头位置和角度时, 请注意偏航角、天顶角、跟踪高度和方位角。使用1.5 × 60规格六角螺丝刀转动A1和A2螺丝来调整方位角和跟踪距离, 如需转动B1和B2螺丝, 可调整天顶角和偏航角。



使用1.5mm SW规格螺丝刀转动A1和A2螺丝, 调整磁头的方位角



想要释放方位角和天顶角轴心位置的压力, 可松开磁头PCB顶部和侧面相应的M.2 × 8内六角尼龙贴片螺丝

检查磨损图案:

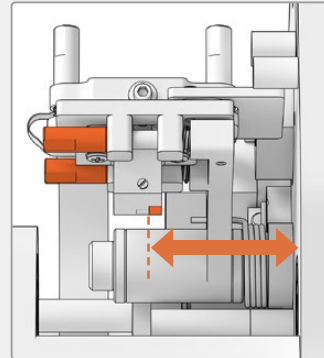
- 1 用记号笔在磁头表面涂抹标记。
- 2 用16mm牵引片运行仅3到5秒的胶片传送。
- 3 检查磁头磨损图案, 确保磁头间隙两侧磨损均匀, 并根据需要进行调整。如需多次运行测试, 可根据需要再次涂抹标记。
- 4 结果满意后, 用酒精擦除多余的标记。



正确对齐的磁头会呈现出均匀的磨损图案。

跟踪

使用水平方位角A1和A2螺丝将磁头对准16mm SepMag轨道。根据安装之前的测量结果，您应该将磁头表面边缘和读取装置底部之间的距离设置为大约23.5mm。需要注意的是，所有调整螺丝都是弹簧式的，并且有润滑阻尼，不需要施加扭矩。

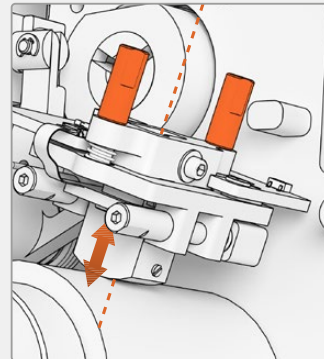


高度

要调整磁头高度，请均匀转动垂直方向的B1和B2螺丝。检查磁头与胶片的对齐高度。这样有助于确保磨损图案位于磁头空隙的中间。

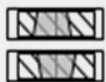


不正确的高度会导致不均匀的磨损图案。

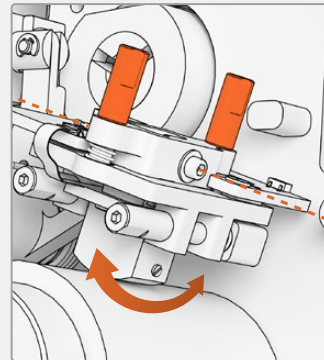


天顶角

要调整天顶角（也称为倾斜度），请依次转动垂直的B1和B2螺丝。检查磁头切线相对于胶片对齐的角度。这样有助于确保与间隙接触时形成均匀的磨损。



不正确的天顶角会导致不均匀的磨损图案。

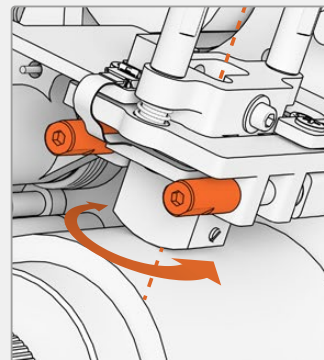


方位角

水平方向的A1和A2螺丝可用于调整方位角，从而设置磁头的垂直位置。调整方位角A1和A2螺丝，获得最大信号调制和相位线性度。



不正确的方位角会导致不均匀的磨损图案和较差的高频响应。



备注 当您对新磁头的设置和性能满意后, 转动M.2 × 8内六角尼龙贴片螺丝, 重新锁定方位角和天顶角。

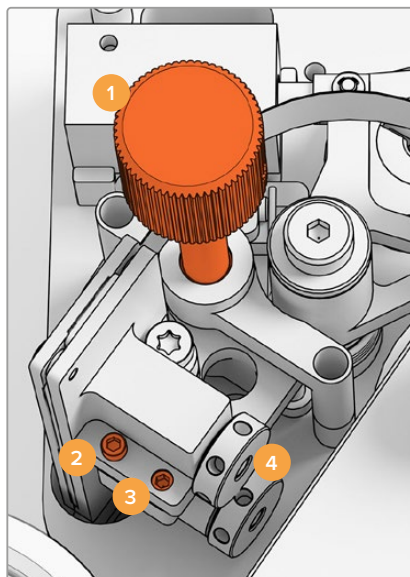
提示 请使用频率尽可能高的声音测试胶片, 10kHz为佳。通过Fairlight里设置的“Frequency Analyser” (频率分析) 工具, 在Resolve里采集和查看.wav波形和FFT。如果能通过扫描仪的耳机输出端口或Desktop Video音频设备输出, 您也可以使用第三方实时分析工具。



频率分析工具 3.15kHz W&F轨道样本

检查光学区块对齐情况

检查光学音频镜头的对齐情况, 可确保光学音频块工作正常。



1. 跟踪调整旋钮
2. 方位角调整M2螺丝
3. 方位角锁定M3螺丝
4. 光学音频镜头

跟踪高度

转动跟踪高度调节旋钮, 让光学音频镜头与16mm和35mm胶片上的音轨对齐。确保镜头覆盖每个独立音轨, 互相不裁切。如果要测量音频强度, 可通过采集Combined Optical胶片 (ComOpt), 然后使用“Frequency Analyser” (频率分析) 工具在DaVinci Resolve的Fairlight页面中查看波形和FFT。如果能通过扫描仪的耳机输出端口或Desktop Video音频设备输出, 您也可以使用第三方实时分析工具。

方位角

光学区块的方位角是出厂时预先设定好的。只有在极少数情况下才需要调整方位角, 调整步骤如下:

- 1 使用1.5mm规格六角螺丝刀松开方位角锁定M3螺丝。
- 2 使用高频立体声35mm音频测试胶片, 转动方位角M2调整螺丝, 来确保左右音频声道对齐且相位一致。
- 3 获得满意结果后, 拧紧方位角锁定螺丝来设定方位角。

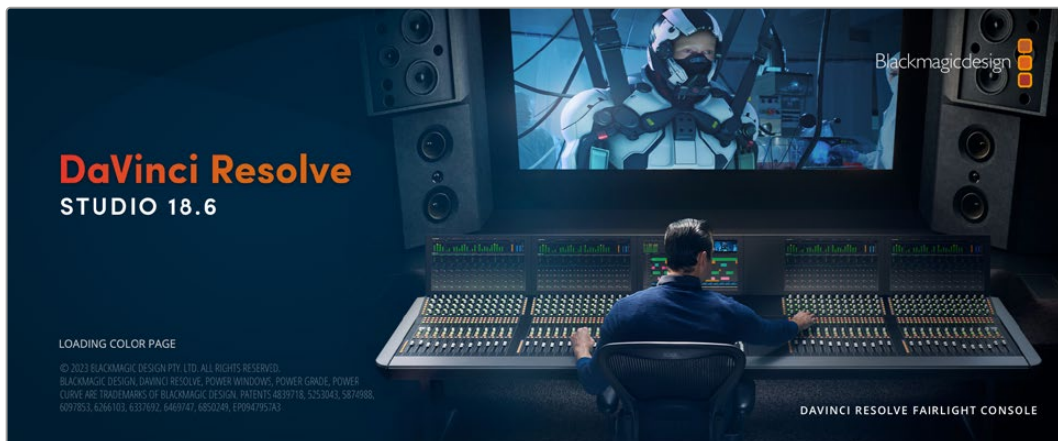
备注 有时, 拧紧方位角锁定螺丝会轻微影响方位角的设置。如果出现这一情况, 只要重复上述步骤即可。

完成磁头和光学音频区块校准后, 将前面板归位, 并用2.5mm六角螺丝刀重新固定四枚M3栓式螺丝。前面板固定后, 您可以用1.5mm六角螺丝刀重新安装好调整旋钮。

在DaVinci Resolve中处理片段

您可以使用DaVinci Resolve“媒体”页面中的“克隆”工具，一边扫描片段一边进行备份。由于任何类型的存储介质都有可能损坏或出现故障，因此建议您备份扫描文件以防万一。使用DaVinci Resolve备份媒体文件后，就可以将扫描片段添加到DaVinci的媒体池中，随后管理时间线上的片段、调色、精编制作，全都可以在DaVinci Resolve中一站式完成。

提示 您可以通过片段缩略图左下角的HDR图标识别HDR片段。



由于Cintel Scanner采集的是具有宽动态范围的CRI RAW图像格式，因此DaVinci Resolve可以帮您将镜头调整为您所追求的任意风格。DaVinci Resolve拥有高端数字电影制作所需的先进技术，是大多数影院大片所使用的调色工具，因此比简单的非编软件工具要强大得多。您可以充分利用DaVinci Resolve的这一技术对扫描影像进行剪辑和调色。

以下内容介绍了如何使用DaVinci Resolve来处理您所扫描的影像文件。当然，DaVinci Resolve是非常高端的软件，它包含了大量的功能，这远比您在用户界面上一眼看上去的要多得多。想要进一步了解如何使用DaVinci Resolve，请访问Blackmagic Design官网查阅DaVinci Resolve操作手册，或者通过官网观看相关的培训课程和教学视频。

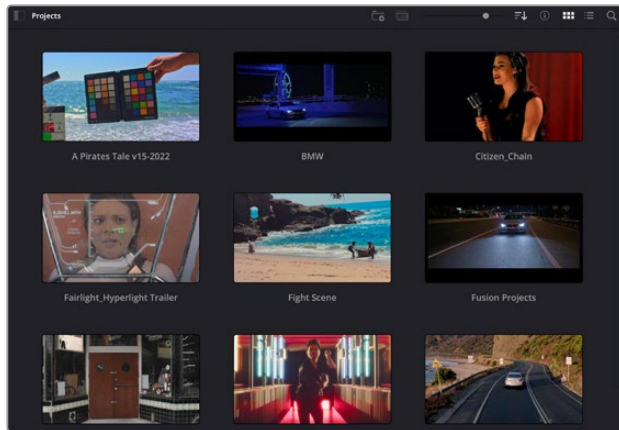
项目管理器

导入片段开始剪辑之前，您需要先使用项目管理器来建立一个项目。

初次运行DaVinci Resolve时，首先出现的界面就是项目管理器窗口，您也可以点击用户界面右下方的主菜单图标按钮，随时打开这一窗口。这样能便于打开之前创建的项目或创建新项目。

要创建新项目，点击窗口底部的“新建项目”按钮，然后为项目命名。点击“创建”。

您可以使用“快编”页面快速开始项目剪辑工作。



项目管理器中可显示属于当前用户的所有项目

更多关于项目管理器的信息，请到Blackmagic Design官网的支持页面下载DaVinci Resolve操作手册进一步查阅。

使用快编页面剪辑

快编页面能提供高效、活动的剪辑流程，能让您快速组合、修剪和编辑片段。

该页面设有两条时间线，能分别同时提供完整时间线视图和操作部分的细节放大视图。这样一来，您就可以先将片段快速拖放到完整时间线的任何位置，然后在细节放大时间线上进行剪辑，无需切换和调整界面。这样的工作流程能实现笔记本电脑快捷编辑，省去了繁琐的时间线缩放和滚动查找操作，从而节省大量时间。

快编页面布局

打开快编页面后，将会看到媒体池、检视器窗口和时间线。这三个主要窗口能帮助您完成剪辑全过程中的各项控制。



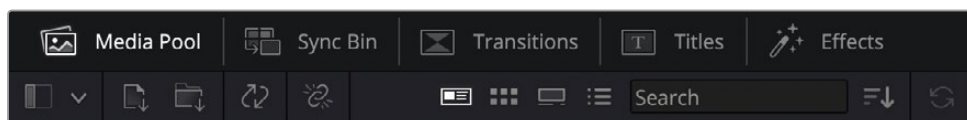
图为快编页面的默认布局，其中媒体池为缩略图显示模式

更多关于快编页面的信息, 请查阅DaVinci Resolve操作手册在“快编页面”章节的介绍。

媒体选项卡

用户界面的左上角设有五个选项卡。

点击这些选项卡可分别打开不同的媒体工具集, 它们可用来创建不同的编辑操作。例如, 第一个是“媒体池”选项卡, 根据图示可判断该选项卡已被选中。其他选项卡分别为“同步媒体夹”、“转场”、“标题”和“特效”。



媒体池

媒体池包含了您使用媒体页面导入的所有片段、文件夹以及文件。您也可以直接从快编页面导入文件, 这样就不必回到媒体页面导入新的片段了。

同步媒体夹

这个强大的功能可通过时间码、日期和时间来自动同步所有片段, 让您选择不同机位角度来制作多机位项目。

转场

点击同步媒体夹右侧的转场按钮, 可调出所有视频和音频转场, 素材中使用。它们包括交叉叠化和动态划像等普通转场。

标题

标题选项卡位于转场选项卡一侧。您可以点击它来选择想要使用的标题, 如标准滚动文本或下横栏标题。此外, 还有一系列Fusion模板供您使用, 获得更具动感的动画标题, 具体可在DaVinci Resolve的Fusion页面中自定义。

特效库

第五个是特效库选项卡。该选项卡可提供所有滤镜和特效, 能让丰富素材画面, 比如模糊、发光和镜头特效等。该选项卡里有许多强大的特效供您选择, 使用搜索工具就能快速找到。

提示 使用媒体选项卡图标一侧的搜索工具可精确查找您需要的效果。例如, 如果您选中了转场选项卡, 在搜索栏输入“叠化”后, 所有叠化转场类型就会被筛选出来显示在检视器中, 帮助您快速找到想要的叠化转场。




检视器选项卡

检视器窗口的左上角是检视器模式按钮。



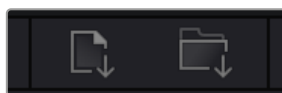
检视器模式按钮

这些按钮可控制当前使用的检视器, 包括“源片段”、“源磁带”以及“时间线”。这些检视器模式能在您选择片段进行编辑时提供大量控制, 因此不妨花些时间了解它们的工作原理。



	源片段	源片段检视器可显示来自媒体池的单个片段, 您可以沿整条检视器时间线设置入点和出点, 从而获得更好的控制。双击媒体池中的某个源片段将其选中, 或者将它拖到检视器中, 就可以进行查看。
	源磁带	源磁带视图可查看媒体池中的所有源片段。这项强大的功能是您的得力助手, 它能帮在所有片段当中快速搜索, 找出某个具体片段。当您在片段上方搓擦播放头进行查看时, 媒体池中相应片段的缩略图也会高亮显示。这意味着, 当您找到想要编辑的片段后, 只要点击源片段选项卡, 对应的源片段就会自动出现在检视器中。 源磁带检视器模式能让您充分利用非线性编辑的优势, 让您自由进行剪辑工作, 快速找到镜头, 尝试新的想法, 呈现出精彩画面。
	时间线	在时间线检视器模式下, 您可以查看并剪辑时间线, 播放项目并精修剪辑。

将片段导入媒体池

现在, 您可以开始将媒体文件导入项目中了。您可以使用顶部的导入工具, 在快编页面的媒体池窗口中完成这一操作。



选中其中一个导入选项, 将媒体文件添加到项目中

	导入媒体	该选项可导入您在存储位置选中的单个媒体文件。
	导入媒体文件夹	要从媒体存储中导入一个文件夹, 请选择这一选项。导入文件夹时, DaVinci Resolve会保留文件结构, 将每个文件夹视作一个单独的媒体夹, 方便您在不同媒体夹之间导航, 找到需要的视频和其他媒体文件。

导入媒体步骤如下:

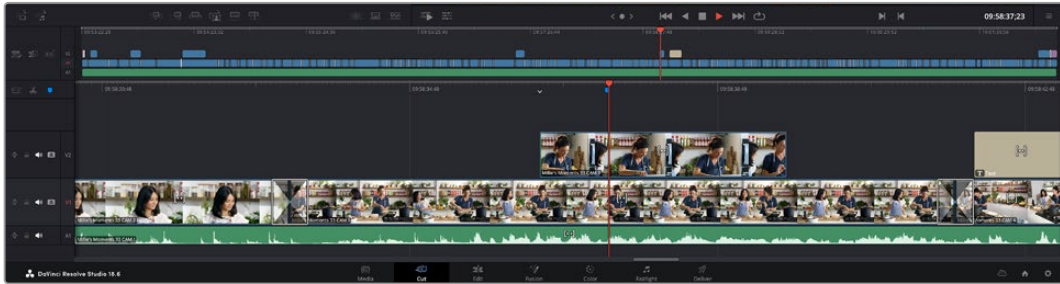
- 1 点击“导入媒体”或“导入媒体文件夹”图标。
- 2 导航到想要导入的媒体文件所在的媒体存储位置。
- 3 选中文件或文件夹, 点击“打开”。

将媒体添加到项目中之后, 请保存更改。DaVinci Resolve设有快速简便的自动保存功能, 叫做“实时保存”。您保存项目一次之后, “实时保存”功能将在您每次更改后自动保存, 有效防止数据丢失。

更多关于“实时保存”和其他自动保存功能的信息, 请查阅DaVinci Resolve操作手册。

将片段添加到时间线

熟悉了媒体选项卡和检视器模式按钮后, 现在就可以打开媒体池并快速开始在时间线上添加片段了。



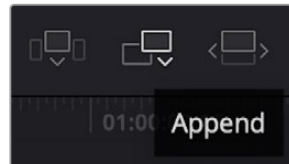
图为快编页面的时间线, 上方为完整时间线, 下方为局部放大时间线

时间线是进行剪辑的地方, 它就像是一块工作板, 您可以在轨道上放置片段, 来回移动片段位置, 并且进行修剪。轨道可以对片段进行上下分层, 方便您尝试不同的剪辑版本并建立转场和添加特效。比如, 您可以将一个片段放置在一个轨道上, 尝试某个剪辑版本的效果, 而下方的轨道均不会受到影响。

将片段添加到时间线有多种不同的方法, 比如智能插入、附加以及叠加等。

附加片段

选择镜头和组合剪辑时, 您可能想要将这些镜头相继添加到时间线上。进行这类操作时, 就可以使用附加工具来快速完成剪辑。



点击附加工具图标按钮, 快速将片段添加到上一个片段的结束处

附加片段步骤如下:

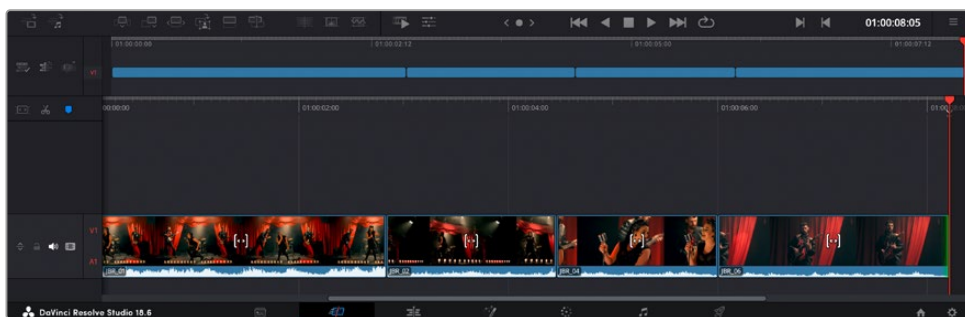
- 1 双击媒体池中的一个片段, 将其在检视器中打开。
- 2 使用搓擦修剪工具, 拖动入点和出点来选中镜头的精确时长。您也可以按“l”和“o”键盘快捷键来设置入点和出点。



3 现在，点击媒体池下方的附加图标按钮。

第一个片段就被放置在了时间线的开头。

重复步骤1到步骤3的操作，继续添加更多片段，它们会自动附加到相应位置，确保时间线上不会出现空隙。



附加片段的操作方式能确保时间线的片段之间不出现空隙

提示 您可以为“附加”图标指派一个键盘快捷键，从而进一步加快操作进程。例如，您可以将“P”键指派为该功能，然后使用“I”和“O”键设置入点和出点，再按“P”键附加该片段。更多关于指派快捷键的信息，请查阅DaVinci Resolve操作手册。

在时间线上修剪片段

将片段添加大时间线上后，您就能完全控制片段，进行移动和修剪编辑了。

要修剪某个片段，可将鼠标指针悬停在相应片段的开始或结束处，然后点击并左右拖动。例如，向左或向右拖动片段尾部，可分别减少或增加其时长。您可能注意到，执行刚才的剪辑操作后，所有片段在时间线上的位置都会发生变化，以适应新的调整。这就是快编页面帮助您节省时间的一种方式。

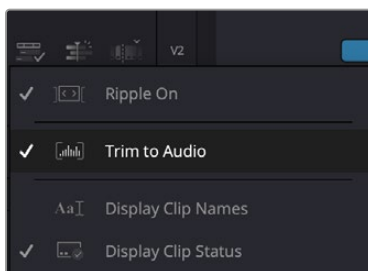
您还可以选取一个片段，然后将它放置到大型时间线的新的视频轨道上，无需缩放操作就可完成。这样能极大程度地缩减在庞大时间线上来回导航所花费的时间，从而有效加快剪辑进程。

音频修剪视图

音频修剪视图能放大时间线上的音频波形显示，从而帮助您确保音频剪辑的准确性。该功能对对白场景或音乐片段剪辑很有帮助，它能帮助您快速找到词和词之间、节奏和节奏之间的编辑点。

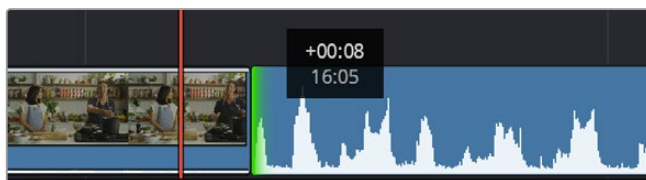
使用音频修剪视图步骤如下：

- 1 点击时间线选项图标，勾选“修剪到音频”。



“修剪到音频”选项

- 2 当您修剪某个编辑点时，时间线会显示放大的波形图。完成修剪后，时间线上的片段会回到正常大小。



音频修剪视图会放大时间线上的音频波形

在快编页面上完成片段剪辑之后，可能还需要添加一个标题。下节内容将具体介绍如何操作。

添加标题

将标题添加到时间线上十分简单，并且种类多样。

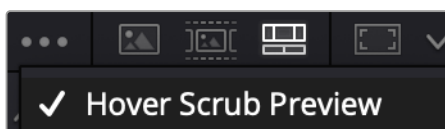
要查看可供使用的标题类型，可点击用户界面左上角的“标题”媒体选项卡。在出现的选项窗口中，您会看到所有可供使用的标题生成器以缩略图的形式显示，包括下横栏标题、滚动标题、标准文本标题等。您还可以添加各种Fusion标题，也就是可自定义的动画标题。

预览标题

为时间线添加标题前，请先到“标题”选择窗口中进行预览。这样能让您快速浏览所有可用选项，然后做出选择。

创建字幕步骤如下：

- 1 点击位于标题面板右上角的选项菜单，选择“悬浮搓擦预览”。



从选项菜单中启用悬浮搓擦预览。

- 2 到“标题”选择窗口中，用鼠标指针在缩略图上方来回搓擦，就能在检视器中预览这一标题。如果您预览的是动画或Fusion标题，请在该标题上方从左至右移动指针来查看动画效果。



将指针悬停在标题的缩略图上可在检视器中预览效果

选择好标题后，您就可以把它添加到时间线上了。

添加标准标题步骤如下：

- 1 点住“标题”，将其拖放到时间线上。您可以任选一条时间线，但是为了提高准确度，建议您使用放大的时间线。标题会自动创建一个新的视频标题轨道，并且会吸附到播放头的位置。
- 2 松开鼠标后，标题就会出现在新的轨道上。您可以想处理视频片段一样，移动标题的位置或更改其时长。
- 3 如要编辑标题，可点击新的标题片段，然后点击片段检视器下方的“工具”图标按钮。界面中会显示一排工具，可用来修改标题片段。这些工具包括变换、裁切、动态缩放等。
- 4 点击“检查器”选项卡。

检查器窗口打开后，您可以输入一个标题，然后编辑文本设置，比如字距、行间距、字体、颜色等等。

您可以使用多种选项，将标题自定义为理想中的效果。建议您不妨自行尝试和摸索所有设置，看看各种设置带来的不同标题效果。

提示 您也可以使用悬浮搓擦预览功能来预览“快编”和“剪辑”页面上的特效、转场、生成器和滤镜。

使用Blackmagic RAW文件

Blackmagic RAW片段可为您的后期制作提供最大的灵活性。这样能方便您在更改原始摄影机设置时调节片段各项参数，如白平衡和ISO设置。使用Blackmagic RAW格式还可保留暗部和亮部的色调信息，这将在细节恢复操作时非常有用，比如恢复过曝的天空和过暗的图像部分。

如果您追求的是更高的画质，或者拍摄亮部和暗部有显著差别的影像并于随后进行细节恢复处理并加以调色，那么使用Blackmagic RAW格式将是不错的选择。

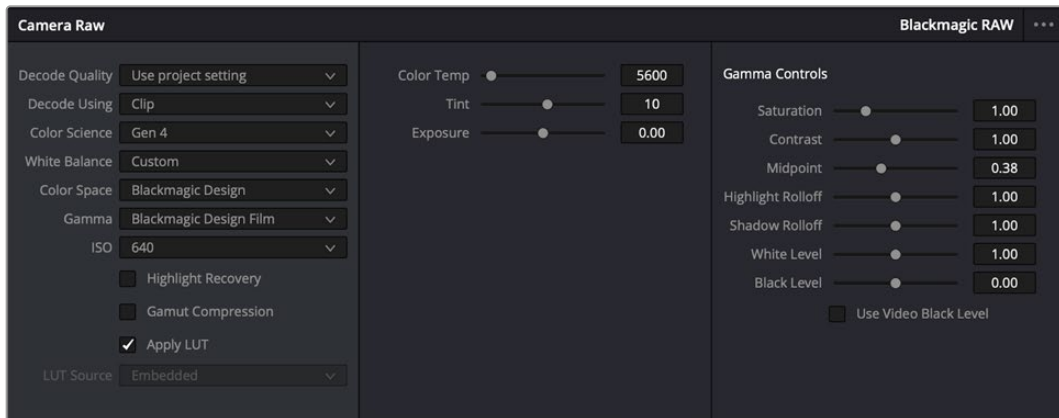
由于Blackmagic RAW速度快，文件小，您不需要创建代理文件就可以像标准视频片段一样播放。操作手册这部分内容描述了关于Blackmagic RAW功能，以及如何在DaVinci Resolve工作流程中使用Blackmagic RAW文件的信息。

提示 开始调色前，先为调色页面的片段调整Blackmagic RAW设置是较好的做法。

Blackmagic RAW的片段设置

当您首次导入Blackmagic RAW文件时，DaVinci Resolve会根据拍摄时所使用的ISO、白平衡以及色调设置对文件中包含的摄影机数据进行解码。如果您对这些设置下的画面风格满意，就可直接开始编辑。

使用Blackmagic RAW格式拍摄的一大好处在于，您完全不会受限于这些设置！使用Blackmagic RAW文件可获得灵活的后期处理选项，这样您就可以逐渐发展出自己的一套工作流程。尝试在“Camera Raw”选项卡中对每个片段进行“片段”设置，您会发现Blackmagic RAW格式有多么强大和灵活。



在“Camera Raw”选项卡中，从“解码方式”菜单中选择“片段”，可调整单个片段的Blackmagic RAW设置

更改Blackmagic RAW设置

一旦启用了DaVinci Resolve的Blackmagic RAW片段设置，片段设置和Gamma控制就都可以进行调整了。通过调整这些设置可以优化您的片段，让其更接近全面一级校色的效果。当使用DaVinci Resolve示波器时更为强大，有助于中性化和平衡片段，为片段应用某种风格做好准备。

以下内容介绍了关于片段和Gamma控制的信息。

ISO

升高或降低此设置可调整ISO数值。如果您需要将片段调整到更亮或更暗的起始点进行调整时，此设置很有用。

高光恢复

勾选该复选框可使用来自未裁切通道的信息来重建裁切通道中的高光信息。

色域压缩

勾选该选项后，系统会自动保持安全的色域值。

色温

可将图像的色温调整到暖色或冷色。该操作有助于每个图像的色彩平衡。

色调

调整此设置可为图像添加绿色或品红色，从而起到平衡色彩的作用。

曝光

通过此设置可调整画面的整体亮度。

饱和度

饱和度控制默认为1，范围从最小饱和度0到最大饱和度4。

对比度

默认为1.0，将滑块向左拖动可将对比度调至最小为0，向右拖动可将对比度调至最高为2。

中点

Blackmagic Design Film模式下，中间灰值默认为0.38，也就是38.4%。向左拖动滑块可降低中点，向右拖动最高可增加到100。当对比度的调整与默认设置不一致时，您可以修改高光和阴影过渡。

高光过渡

调整高光时，向左拖动滑块可将该值降低到0，向右拖动滑块可将该值增加到2。默认值是1。

阴影过渡

向左拖动滑块可将阴影降低到0，向右拖动可将阴影增加到2。

白电平

如要调整Gamma曲线的白点，可将滑块在最高值2和最低值0之间拖动。默认值是1。

黑电平

如要提高自定义Gamma曲线的黑点，可将右边的滑块从最低值-1拖动至最高值1。默认值是0。

使用视频黑电平

点击复选框将黑电平设置为视频模式。

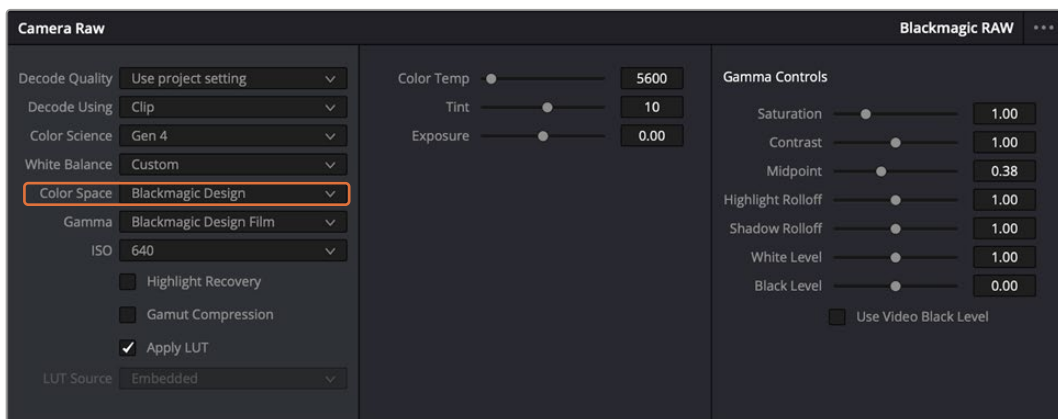
导出帧

点击“导出帧”按钮，可让您从Blackmagic RAW片段中导出某一帧画面。

更新Sidecar

点击此按钮可为当前片段更新Blackmagic RAW Sidecar文件。

您对Blackmagic RAW片段所做的任何修改都会被识别为Blackmagic Design Custom的Gamma设置更改。



如果您希望把片段恢复到任何可用的默认Gamma选项,可以在Gamma下拉菜单中选择相应选项

提示 用“Video”动态范围拍摄的影像无法使用Gamma控制,但Blackmagic RAW数据并没有丢失。只需从Gamma下拉菜单中选择“Blackmagic Design Film”或“Blackmagic Design Extended Video”,然后进行调整。

保存您对Blackmagic RAW的修改:

- 1 调整Blackmagic RAW片段的Gamma控制。
- 2 点击“更新Sidecar”按钮。

系统将在同一个文件夹里创建一个“Sidecar”文件作为.braw文件。当另一位用户导入Blackmagic RAW文件时, DaVinci Resolve会自动读取这些Sidecar文件。如果您进行了其他调整,请再次点击“更新Sidecar”。

提示 如要移除Sidecar文件,只需将其从存储介质的位置上删除即可。

Blackmagic RAW的项目设置

如果您需要改变适用于所有片段的设置,比如:统一修改白平衡或ISO,可以使用项目的“Camera RAW”设置进行统一修改。

为Blackmagic RAW进行项目设置:

- 1 点击“文件”,选择“项目设置”,进入项目设置菜单。
- 2 在“Camera RAW”选项卡中,您会看到“RAW配置文件”旁边有一个菜单。点击箭头可从列表中选择“Blackmagic RAW”。
- 3 在“解码方式”菜单中选择“项目”。
- 4 从菜单中选择一种色彩科学选项。
- 5 将白平衡设置为“自定义”。
- 6 从Gamma菜单中选择“Blackmagic Design Custom”。将色彩空间设为“Blackmagic Design”。

- 7 在“解码质量”菜单中选择分辨率。对于性能有限的系统，较低的分辨率播放效果会更好。之后也可以调整为全分辨率，然后输出最高质量的文件。

现在，您可以调整片段的摄影机设置，比如饱和度、对比度和中点等。这将影响项目中设置为使用“项目”解码的所有片段。

使用调色页面为片段调色

将片段添加到时间线，并且添加了标题之后，就可以开始使用调色页面进行调色了。调色页面非常强大，影片的整体风格将在这里成型。在这个例子中，我们将首先平衡片段色彩，使它们保持一致性。在此期间，您可以随时回到快编或剪辑页面对素材进行调整。

调色页面可用来调整素材的画风。从很多方面来看，调色本身就是一门艺术。您在进行调色的时候，会将自己的情感注入到作品当中。这是工作流程当中极具创意的一个环节，当您看到自己精心雕琢的作品呈现在荧幕之上时，也会收获满满的成就感！通常来说，这是调色的第一步，也就是我们常说的“一级校色”。完成一级校色之后，就要进入二级调色阶段。在这个阶段，您可以对画面中的具体对象进行细致精准的色彩调整。这是个充满趣味的过程，一般会放在一级校色之后进行，因为这样能使制作流程更加高效，效果也会更好！

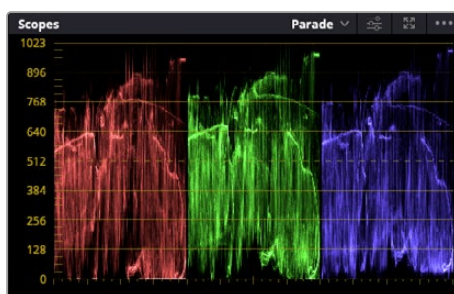
首先，点击“调色”选项卡，打开调色页面。

该页面中有Camera Raw设置、色轮、曲线面板和常用的调色工具以及预览和节点窗口。当您看到面前这些大量工具时不用慌张，它们都是能够帮助您获得最精彩画面的实用功能。这一入门章节会展示基本操作，要活的更详细的介绍，请查阅操作手册中的相关内容。操作手册将为您详细介绍每项功能，以及如何按照简单易行的步骤进行使用。从中您可以了解到专业人士在高端调色工作室所使用的技能。

一般来说，第一步就是进行一级校色，对片段的暗部、中间调和亮部电平进行优化。您可以通过调整“暗部”、“中灰”和“亮部”设置来实现。这可以让您的素材画面有一个干净平衡的起点，从而更好地开展影片调色工作。优化电平时，使用示波器作为参考会很有帮助。

使用示波器

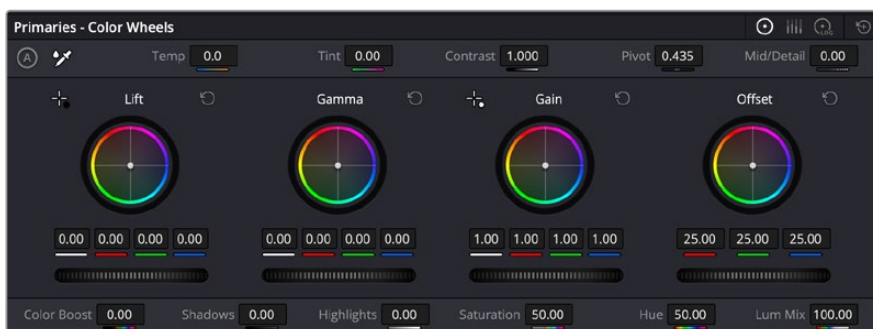
大多数调色师都会通过创意调色来着重突出影片所要表现的情感，并使用监视器来辅助他们得到想要的画面风格。您可以观察日常物品以及不同的光线和它们之间产生的互动，并通过您的想象力和实践来获得灵感。



分量示波器可帮助您优化画面的亮部、中间调和暗部。

调色的另一个途径是使用内置的示波器对镜头画面进行色彩平衡处理。您可以点击“示波器”按钮打开单个视频示波器显示，该按钮位于设置面板工具栏右起第二个。您可以选择显示波形图、分量图、矢量图、直方图或CIE色域坐标图。您可以使用这些示波器来监看色调平衡，检查视频电平并防止暗部色彩挤压及亮部裁切限幅，还能监看片段中出现的任何偏色现象。

“色轮”设置面板中设有“暗部”、“中灰”和“亮部”控制项，通常可作为第一轮调整使用。如果您具备一定的调色功底，就应该已经在其他软件中接触过这些色彩和对比度调整控制。



“暗部”、“中灰”、“亮部”、“偏移”色轮用于控制片段的色彩及色调平衡。拖动并来回滚动色轮下方的滚轮可对所有色彩的每种色调区域进行统一的调整。



鼠标操作时，使用一级校色条进行色彩调整会更方便

如果想要使用鼠标来更加准确地控制每类色彩，您可以将色轮更改为“一级校色条”模式，具体调整每个色彩和亮度通道，分别控制暗部、中灰以及亮部控制项。只需选择色轮右上方附近的下拉菜单中的“一级校色条”即可切换模式。

调整“暗部”

首先请在色彩时间线上选中一个片段，点击位于第一个色轮下方的“暗部”滚轮。来回滚动该滚轮来查看该参数变化对画面的影响。您可以看到画面中暗部的亮度会相应提高或降低。

请根据需要进行设置，使暗部区域获得理想表现。如果“暗部”参数提升过度，图像暗部的细节就会丢失，您可以参考分量示波器加以避免。波形图上的暗部位置以恰好位于分量示波器的底线之上为理想。

调整“亮部”

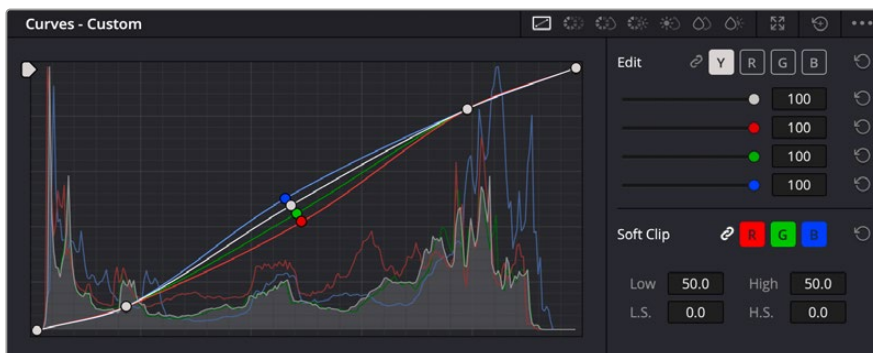
点击“亮部”滚轮并来回滑动。该参数可调整亮部信息，即片段中最亮的部分。亮部信息位于分量示波器的波形顶部。如果画面有充足明亮的风光，那么该画面在示波器中以恰好位于波形顶线之下最为理想。如果亮部信息超越了示波器波形的顶线，那么这部分信息将被切掉，而您画面中最亮部分的内容将缺失。

调整“中灰”

点击位于色轮下方的“中灰”滚轮并来回滑动。在提升中灰值的同时，您可以观察到画面的亮度随之增加，而且波形的中段部分也会随之移动。该值体现的是片段中的中间调。通常中间调的波形位置以位于示波器的50%至70%处最为理想。但是，根据您需要的创意风格以及灯光条件，这一参数或有所不同。

此外，您还能使用曲线设置面板来实现一级调色。只需通过点击操作在曲线图中的对角线上创建控制点，并上下拖拽来调整画面不同区域的主RGB对比度色调即可。曲线调整的理想位置位于底部三分之一、中部及顶部三分之一处。

DaVinci Resolve中还有很多方式来完成一级调色。



曲线面板工具也可用来进行一级调色，或使用Power Window来强化片段中的局部区域。

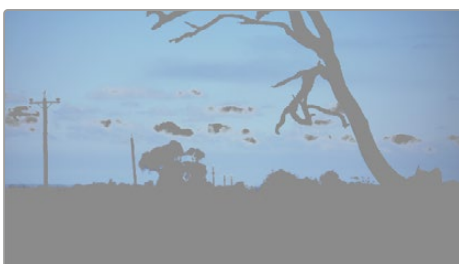
二级调色

如果要对画面中的特定部分进行调整，那么您就需要使用二级调色。目前为止，您使用暗部、中灰和亮部等参数所做的调整都会同时影响画面整体效果，因此这一过程被称为“一级校色”。

但是，如果需要调整画面中的特定部分，例如要美化画面中草地的部分，或要加深天空的蓝色，那么就要用到二级调色功能。进行二级调色时，您可以选中局部画面内容，并只对选中部分来单独调整。您可以使用节点将多个二级调色操作堆栈在一起，这样就可以一直处理画面各部分内容，直至所有部分完成相应的处理！此外，您还能使用窗口和跟踪功能，让画面中的选定部分跟随主画面一起移动。

限定某一色彩

很多时候您要突出强调片段中的某一色彩，比如路边的草坪和天空的蓝色，或者您可能需要调整画面中某个对象的色彩来吸引观众的注意力。通过HSL限定器工具可以让您轻松实现这一操作。



当您需要突出强调画面中的某些部分、增加对比度或要将观众的注意力集中到某些区域时，使用HSL限定器选择画面色彩十分实用。

如何限定某一色彩：

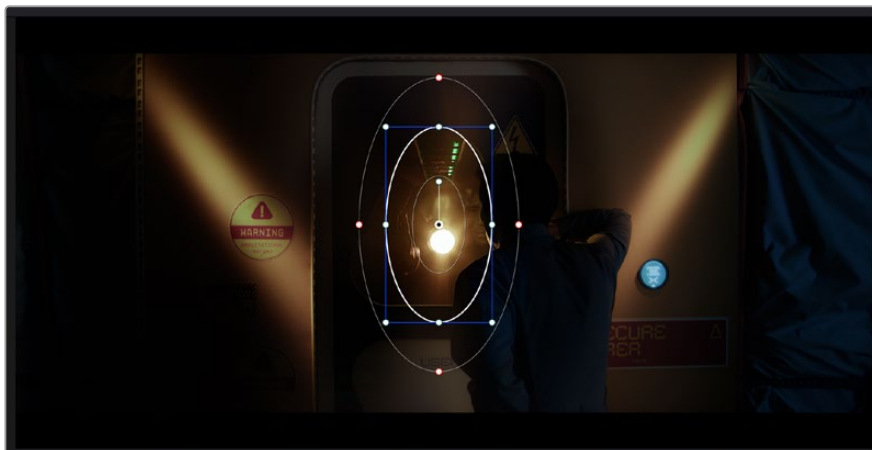
- 1 添加一个新的串行节点。
- 2 打开“限定器”设置面板, 确保选中“选择范围”拾色器工具。
- 3 点击片段中您想要调整的色彩。
- 4 一般情况下, 您需要进行一些调整来柔化所选对象的边缘, 且该操作仅对所选颜色有效。点击检视器上方的“突出显示”按钮查看所选内容。
- 5 调整“色相”窗口中的“宽度”控制来控制所选内容的宽窄。

尝试调整高区柔化、低区柔化以及柔化程度控制工具来观察这些参数如何细化您的所选内容。然后您就可以使用色轮和自定义曲线对所选色彩进行调整了。

有时, 所选色彩会溢出到镜头中其他不需要调整的部分。您可以使用Power Window将不需要调整的部分通过遮罩功能隔离出来。只需创建新的Power Window窗口, 并调整其形状, 让它只包括所选色彩的区域。如果所选色彩在镜头中处于移动状, 您可以使用跟踪功能来跟踪Power Window。

添加Power Window

Power Window是极其高效的二级调色工具, 它可以隔离片段中的特定区域。这些区域不一定是静止对象, 您可以跟踪它们使之随着摄影机的平移、竖移和转动, 以及所选部分自身的移动一同移动。



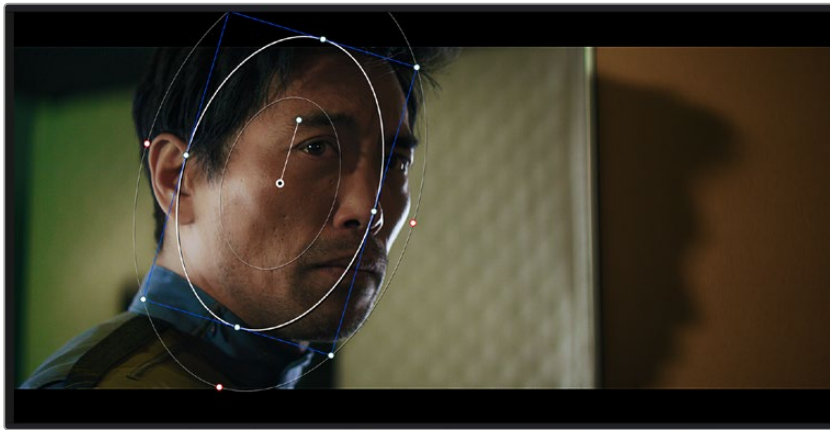
使用Power Window将不希望受到HSL限定器二级调色操作影响的区域隔离出来。

例如，您可以跟踪一个位于人物上的窗口来仅对窗口中的对象进行色彩和对比度调整，却不会影响该人物周围的画面内容。此类调色操作可以将观众的注意力转移并集中到您想要强调的画面部分。

如何在片段上添加Power Window：

- 1 添加一个新的串行节点。
- 2 打开“窗口”面板，点击形状图标来选择一种窗口形状。选中的窗口形状将显示在节点上。
- 3 点击并拖动该形状周围蓝色的点来重新调整它的大小。红色的点可调节其边缘柔化程度。点击并移动中心的点可将该形状移动到想要隔离的位置。使用与中心点连接的点来旋转窗口。

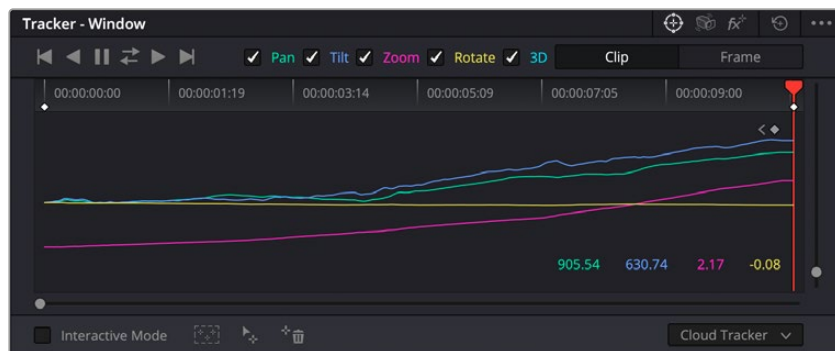
现在您就可以对画面的特定部分进行调色了。



Power Window可以让您对画面中的特定部分进行二级调色。

跟踪窗口

由于拍摄画面中的摄影机、物体或区域可能会移动，因此为了确保窗口位于所选物体或区域，就需要使用DaVinci Resolve强大的跟踪功能。跟踪器可分析摄影机或画面中物体的平移、竖移以及缩放和旋转，以便您添加的窗口可始终跟随所选对象。如果不进行窗口跟踪，您的调色操作可能会离开所选目标并给您造成不必要的麻烦。



您可以使用跟踪器功能来跟踪片段中的对象或区域，以便Power Window跟随对象移动。

如何对移动的物体进行窗口跟踪：

- 1 创建新的串行节点并添加一个Power Window。
- 2 回到片段开头部分放置窗口并调整大小，以便仅突出显示需要的区域。

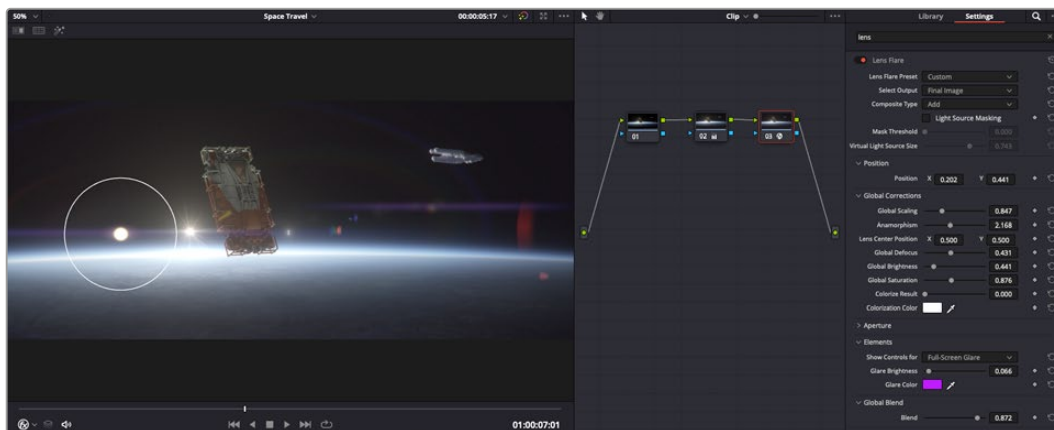
- 3 打开“跟踪器”面板。根据需要勾选或取消勾选相应的“分析”复选框，为片段选择平移、竖移、缩放以及旋转等相应的3D设置。
- 4 点击复选框左侧的向前箭头。然后DaVinci Resolve将会在您的片段上应用一组跟踪点，并逐帧分析对象的移动。完成跟踪后，Power Window将跟随片段中的移动路径。

大部分情况下使用自动跟踪便可以成功完成上述操作，但是有时候场景会比较复杂，并且有些物体可能会从您选中的区域前景越过，这会扰乱并影响跟踪功能。此时您可以使用关键帧编辑器来手动解决这一问题。请参考DaVinci Resolve操作手册获得更多信息。

使用插件

进行二级调色时，您可能还需要添加Resolve FX或Open FX插件，从而在“调色”页面快速创建有趣的风格和效果，或者在“快编”和“剪辑”页面为片段添加富有创意的转场和特效。Resolve FX会随DaVinci Resolve一同安装，OFX插件可通过第三方供应商购买或下载。

安装OFX插件后，只要开启“节点编辑器”右侧的Open FX检查器就能在调色页面中打开这些插件或Resolve FX插件。创建了新的串行节点后，只需点击“Open FX”按钮打开特效库面板，然后将一个插件拖放到这个新节点上即可。如果该插件具有可编辑设置，您可以在相邻的“设置”面板中使用这些设置。



OFX插件是您发挥想象力、进行充满趣味和个性创作的一种快速便捷的途径。

您可以在“剪辑”页面中打开“特效库”里的“Open FX”面板，将所选插件拖拽到时间线的视频片段或轨道上方（视插件具体要求而定），就可以在片段上添加插件滤镜、生成器和转场。

在剪辑页面混合音频

项目剪辑和调色完毕后，就可以开始混合音频了。DaVinci Resolve拥有一套实用的工具，可直接在剪辑页面完成项目的剪辑、混合及音频母版等制作。对需要更高级音频工具的项目而言，Fairlight页面可提供一整套音频后期制作环境。如果您已经比较熟悉剪辑页面，想要直接跳至Fairlight页面，可跳过此章节，直接阅读下个章节。

添加音频轨道

如果您在剪辑页面中操作,并想要为基本声音剪辑文件混合大量音效和音乐,只需根据需要添加更多音频轨道即可。当您想要构建声效并将音频元素分离到单独的轨道上用于如对白、音效以及音乐等的混音时,这一功能非常实用。

在剪辑页面添加音效轨道:

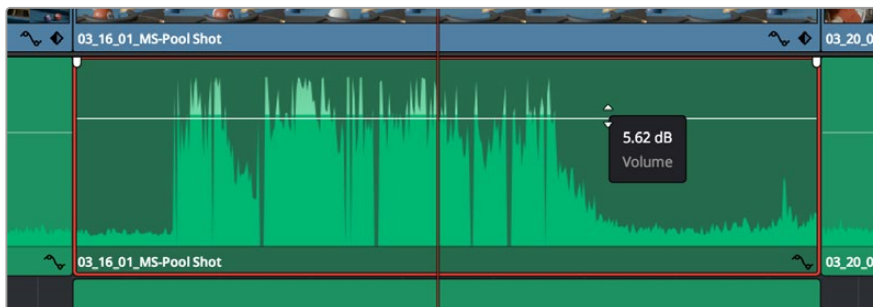
在时间线上任意一个音频轨道的名称旁边右击并选择“添加轨道”,然后根据需要选择“单声道”、“立体声”和“5.1声道”选项,就可以轨道列表底部添加一个轨道。或者,您也可以选择“添加自定义轨道”,然后选择一个或多个新轨道放置在哪个位置。

新的音频轨道将出现在时间线上。

提示 如果您在创建轨道之后想要进行更改,可以在轨道名称一侧右键点击,并选择“将轨道类型更改为”,然后选择如立体声、单声道或5.1声道等音频轨道类型。

在时间线上调整音频电平

时间线上的每个片段音频都包括一个音量叠加显示,只要用指针上下拖动即可设置片段的电平。这个叠加显示与检查器中的音量参数是一致的。

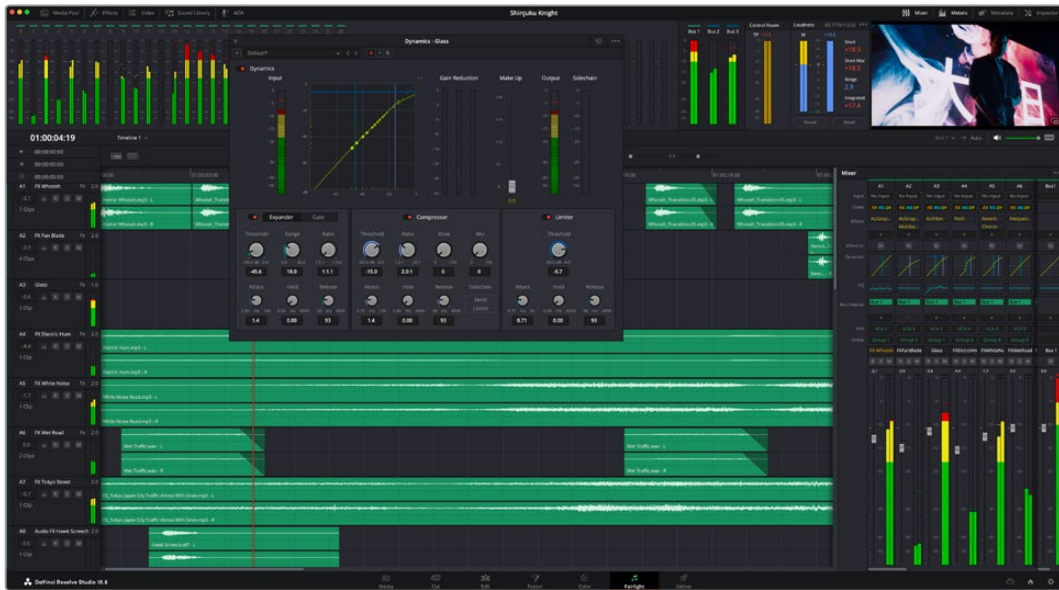


拖动音量叠加显示来调整片段电平

对需要更高级音频工具的项目而言, Fairlight页面可提供一整套音频后期制作环境。

Fairlight页面

DaVinci Resolve中的“Fairlight”页面可以用来调整项目音频。在单检视器模式下,该页面为您的项目提供了优化音频轨道界面,显示有扩大的调音台和自定义监听控制,可让您轻松地评估和调整电平从而构建自然和谐的混合音效。当您看到面前这些大量工具时不用慌张,它们能够帮助您为项目获得理想音质。



本手册只是对Fairlight页面功能进行了基本概述, 如果想要了解各个功能详情, 请查阅DaVinci Resolve操作手册。DaVinci Resolve操作手册详细介绍了每个工具的用途, 并通过简洁明了的步骤描述了如何使用这些工具。

音频时间线

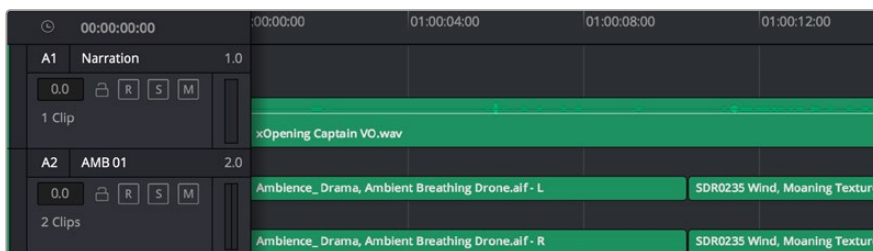
音频时间线可按照每个轨道一个通道的布局方式来显示当前所选时间线的音频通道和轨道。这个布局适合混音和调音。

轨道标头

每个轨道的左侧是轨道标头区域, 显示了轨道编号、轨道名称、轨道颜色、音频通道、推子值以及音频表等信息。轨道标头还包括锁定和解锁轨道, 以及单声道和静音控制等不同控制选项。这些控制选项可帮助您管理和组织轨道, 让您挨个预览单个轨道。

轨道

在Fairlight页面上, 每条轨道会进行细分, 显示出片段音频的各个声道, 便于剪辑和混音。剪辑页面则会将这些单独的音频通道隐藏起来, 只在时间线上显示一个单独的片段, 避免了管理大量轨道的视觉混乱, 从而为多通道源片段的剪辑工作带来便利。



A1轨道的轨道标头显示了一条轨道的单音轨代表了单声道音频, 而A2轨道标头则显示了两条轨道的立体音轨代表了自适应立体声音频。

什么是总线？

总线相当于将一组音频源组成一个单独的信号目标通道，它可以通过单个通道条进行控制。Fairlight会为您自动创建总线，时间线上的所有音频轨道都会被默认发送到这个总线上。也就是说，当您调整好每个单独轨道的电平后，就可以调整音频混合的整体电平了。

如果您的剪辑情况略为复杂，您可以创建更多总线，并将多个同类音频轨道合并到一起，例如对白、背景音乐或特效等，这样一来，所有同一类别下的音频都可以作为单一音频信号来进行混合。举例说明，如果您有五个对白轨道，就可以把这五个对白轨道的输出都指派到一个单独的总线上，这样所有的对白电平就可以通过一套控制进行混合了。

Fairlight的FlexBus结构能为您提供全面的总线类别和信号指派灵活性，具体包括总线到总线、轨道到总线以及总线到轨道等指派选项。更多关于Fairlight音频总线设置的信息，请阅读DaVinci Resolve操作手册。

调音台

时间线上的每条音轨在调音台上都对应一个单独的通道条。默认设置下，标有“Bus1”字样的默认总线右侧会有一个单独的通道条。您每创建一条其他总线，其右侧就会相应出现带有控制选项的通道条。这里提供了一组图表控制工具，让您可以将轨道通道指派到输出通道、调整均衡器和动态、设定电平和记录自动化、调整立体声声相和环绕音频、以及静音和单声道轨道等处理。

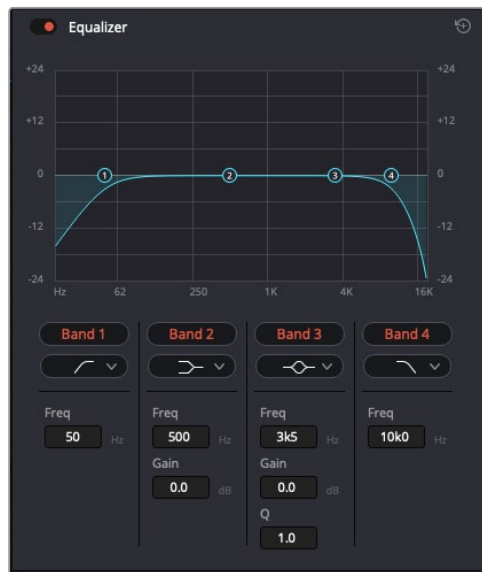


图为调音台，当中的每个通道条分别对应时间线上的相应轨道

使用均衡器加强音频

调整完项目中音频片段的音频电平后，您可能会发现音频还需要进一步微调。有些情况下，您可能会发现对白、音乐和音效在音频频谱的相同频段上互相干扰，导致音频太过嘈杂且不清晰。这时使用均衡器会有帮助，因为它能帮助您判断出每个音轨在音频频谱上所处的具体频段位置。您还可以通过均衡器从音频中移除不想要的元素，它可以隔离或降低包括隆隆声、嗡嗡声、风声、嘶嘶声等某些特定频率的电平，或者能让总体音效变得更优质、更悦耳。

DaVinci Resolve提供了均衡器滤波器可应用于每个单独片段的片段电平上，或应用在整个轨道的轨道电平上。时间线上的每个音频片段在检查器面板中具有四个频段的均衡器，每个轨道在调音台面板中具有六个频段的参量均衡器。这些图表和数字控制可增强或衰减频率的不同范围，不同的滤波器可让您定义均衡器曲线的形状。



四频段均衡器可应用到时间线上的每个片段

外部频段让您可以通过高架、低架、高通和低通滤波器进行频段滤波器调整。通过式滤波器会影响所有高于或低于某个特定频率的频率，将这些频率从信号中彻底移除。例如，高通滤波器可以让高频率通过滤波器，并同时切除低频。位于截止频率以外的任何频率则会以向下倾斜曲线的方式逐步剪切。

搁架式滤波器相对显得平和一些，如果您只想对信号的高频或低频部分进行塑形，而并非完全滤除这些频段，就可以使用这一滤波器。搁架式滤波器可以均匀地增强或减弱目标频率以及高于或低于目标频率的部分，这取决于您使用的是高架还是低架滤波器。

频段控制的中部设置可让您进行很广泛的一系列均衡器调整，可在低架、钟型、陷波和高架滤波器选项间进行切换。

钟型滤波器

钟型滤波器可以增强或减弱钟型曲线给定中心点周围的频率，正如这一名称所暗示的该曲线的形状像钟罩。

陷波滤波器

陷波滤波器允许您瞄准特定的窄频率范围。比如在50或60Hz时去除电源嗡嗡声。

低架滤波器

低架滤波器会增强或降低下限目标频率，以及之下的所有频率。

高架滤波器

高架滤波器会增强或降低上限目标频率，以及之上的所有频率。

为单个片段添加均衡器：

- 1 在时间线上选中您想要为其添加EQ滤波器的片段。
- 2 点击检查器再点击“均衡器”启用按钮。

为轨道添加均衡器：

- 1 在调音台中双击一个轨道的均衡器区块，从而将该轨道的均衡器打开。
- 2 从下拉菜单中选择您希望调整的频段滤波器类型。



调音台面板中的均衡器区块显示了轨道1已应用均衡器曲线



图为六频段参量均衡器，它可应用到每个轨道

为片段或轨道添加均衡器后，就可以为每个频段调整其均衡器了。需要注意的是，选择不同的频段滤波器可能会有不同的控制。

为频段滤波器调整均衡器：

- 1 从下拉菜单中选择您希望调整的频段滤波器类型。
- 2 调整“频率”值可为均衡器调整选择中心频率。
- 3 调整“增益”值可增强或减弱该频段的频段。
- 4 使用“品质因数”可调整作用频率的带宽。

使用重置按钮可将均衡器窗口内的所有控制重设回默认设置。

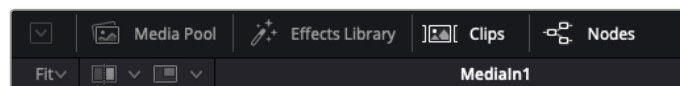
Fairlight还设有很多可用来改善音轨质量的控制。您可以添加更多轨道并通过总线来进行组织管理，还可以添加延迟或混响，逐步完善您的混音。

在Fusion页面添加视觉特效和合成效果

完成剪辑后，您可以打开Fusion页面，在DaVinci Resolve中添加2D或3D视觉特效和动态图形。与基于图层的合成软件不同，Fusion采用节点式操作，能让您更加自由地创建复杂效果，同时还可将图像数据指派到任何方向。节点窗口清楚显示了流程中使用的所有工具。如果您使用过调色页面的节点工作流程，就不会对节点窗口感到陌生。



Fusion页面上方配有两个带播放控制的检视器窗口，用于查看媒体，右边的检查器窗口用于访问工具设置，下方的节点窗口用于创建合成。虽然检视器和播放控制始终可见，您可以点击显示器顶部界面工具栏中的图标来显示或隐藏节点窗口和检查器窗口，以及特效库，样条线和关键帧编辑器等其他窗口。



媒体池

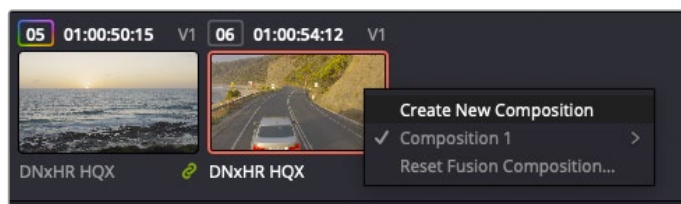
媒体池的功能与剪辑页面中显示的相同。只需将媒体文件从媒体夹直接拖进合成即可。

特效库

在特效库中，Fusion工具和模板都按照粒子、跟踪、滤镜和发生器等进行分类。您可以点击工具或者将它拖到节点区域，然后添加到合成里。媒体池和特效库占用同样的屏幕区域，您可以在两者之间切换，让检视器的面积尽量大些。

片段

点击片段选项卡会显示或隐藏代表时间线上相应片段的缩略图。缩略图位于节点编辑器下方，便于您即时前往其他片段。



右键点击缩略图，然后选择“创建新的合成”，可创建合成的新版本。

检视器

检视器始终可见，以便您查看不同的合成视图，比如合并3D节点后的总体3D投影，摄影机输出，或者最终的渲染输出。这些检视器还可以用来查看各项修改对特定元素所产生的影响。

您还可以选择查看的节点，只要点击一个节点，按数字键“1”即可在左侧检视器中查看，按数字键“2”即可在右侧检视器中查看。您可以通过节点下方的白色按钮图标判断出该节点被指派到哪个检视器。如果您使用外部视频监控，则会出现第三个按钮，可用来将媒体指派到外部视频监视器上。

提示 您也可以通过将节点直接拖入检视器的方式，将节点指派给相应检视器。

您可以通过检视器下方的播放控制跳过片段的头或尾，正放、倒放或停止播放。时间标尺可显示片段的总体范围，黄色标记代表入点和出点。



时间标尺上的黄色标记代表片段在时间线上的入点和出点。如果您使用Fusion片段或复合片段，时间标尺只会显示时间线上的片段时长，不显示余量。

节点

节点窗口是Fusion页面的核心，您可以在这里将一个节点工具的输出端与另一个节点工具的输入端连接到一起，创建自己的节点树。这个区域会根据打开的编辑器而改变大小，比如样条线或关键帧编辑器。节点区域顶部的工具栏配有最常用的工具，便于您快速调用。

样条线

样条线编辑器打开时会出现在节点窗口的右侧。您可以使用该编辑器对每个节点进行精准调整，比如用贝塞尔曲线对两个关键帧之间的动画进行平滑处理。

关键帧

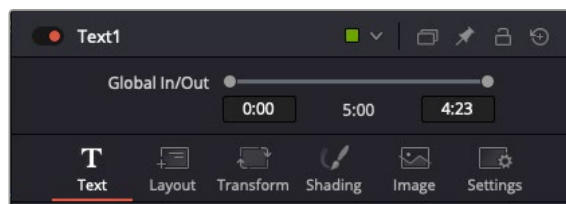
使用关键帧编辑器可以添加、删除或者修改每个工具的关键帧。关键帧编辑器也位于节点检视器的右侧。

元数据

元数据窗口显示当前片段可用的元数据，包括编解码格式、帧率和时间码。

检查器

位于右上角的检查器可显示一个或多个选中节点的所有设置和修改器。其他选项卡选项也会出现，让您快速访问按种类排序节点的其他设置。

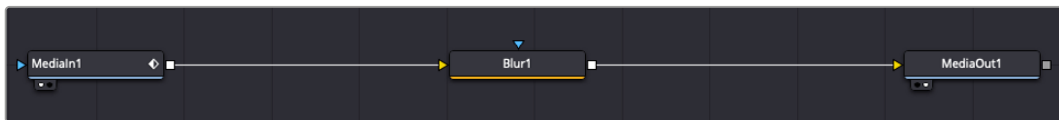


文本检查器包含文本、布局、转换、着色、画面和设置等其他选项卡

Fusion使用入门

开始使用Fusion时，将播放头放在时间线上的任何片段上，然后点击“Fusion”按钮，即可打开Fusion页面。

在Fusion页面上，片段在标为“MediaIn”的媒体输入节点中立即可用。所有合成都以“MediaIn”和“MediaOut”两个节点为起点。MediaIn节点表示时间线播放头所在位置最上方的片段，下方所有片段均被忽略。您在剪辑页面中对片段应用的所有调整全部包含在内，比如转换工具和裁切修改。



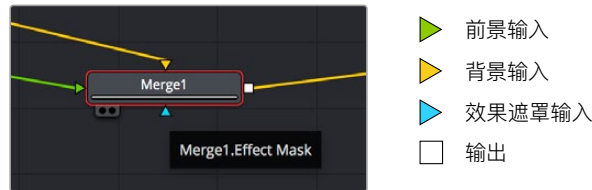
名为“MediaOut”的媒体输出节点将输出画面发送回DaVinci Resolve剪辑页面上的时间线。

提示 在快编或剪辑页面的片段上所应用的ResolveFX或OFX插件不会应用于Fusion页面。这是因为Fusion特效发生在调色和OFX/ResolveFX处理之前。如果您希望在Fusion特效之前应用OFX，就需要先右键点击剪辑页面中的相应片段，选择“新建Fusion片段”，然后再点击Fusion页面。

了解节点

为了有助于理解，您可以把每个节点想象成代表单一工具或特效的视觉图标。节点之间相互连接，创建出总体合成，就像蛋糕的各种原料。了解每个节点的输入输出非常重要，因为这能帮助您创建精细的视觉特效时，把握合成的流程顺序。

有些工具设有多个输入和输出端与其他节点连接。比如“Merge”（合并），该节点可以连接前景输入、背景输入、效果遮罩输入和遮罩输入用于蒙版或抠像。

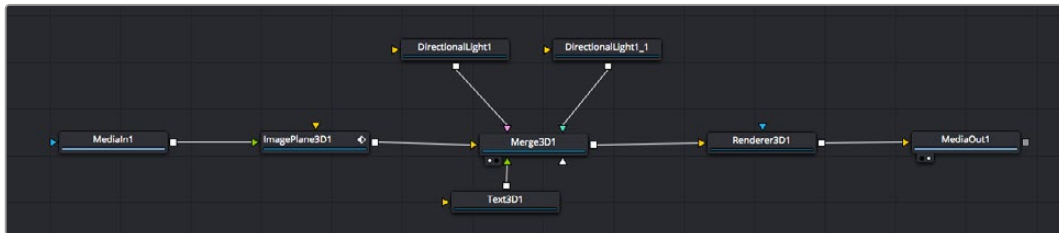


节点上有多个输出意味着单一节点能够连接合成中的许多不同节点，所以与基于图层的软件不同，您不需要复制片段。节点之间连接线上的箭头可直观提示图像数据的处理方向。

在节点编辑器中添加节点

如要添加特效，只需将节点放在“MediaIn”与“MediaOut”节点之间的线上即可。

这一操作可通过多种方式完成。您可以按住SHIFT按钮，把节点放在两个节点之间；或者点击希望添加特效的节点，然后选择想要添加的工具。新节点会自动连接到选定的工具上。您也可以把节点添加到节点窗口中的任何地方，然后将一个节点的输出端拖到另一个节点的输入端，手动完成节点之间的连接。



最常用的工具是2D和3D Merge（合并）节点。该节点就像一个中枢，它能将节点编辑器上的各个工具合并起来，变成一个单一输出。

合并节点拥有控制选项，可以选择输入的管理方式，包括大小、位置和混合等设置。选定合并节点后，可以在检查器面板里访问这些设置。

节点面板上方的工具栏包含最常用工具的图标，您可以点击这些图标添加节点，或者将工具拖入节点面板。如果您想看到所有可用的工具，可点击左上角的“特效库”，然后扩展“工具”选项。这里的所有工具都按类别排序，并且提供了一组预先创建的“模板”，比如镜头光斑、着色器和背景等。

提示 如果您熟悉工具名称，可以按住键盘上的“SHIFT”，同时按下空格键，“选择工具”菜单就会出现。您在输入工具名称时，菜单会建议相关的工具。这是选择工具的一个非常快速的方法。

使用检查器面板调整节点

您可以使用检查器面板调整节点设置。点击希望修改的节点，面板会更新显示相应的设置和控制。

使用Fusion时，您可以在一个检视器中查看正在修改的节点，同时在另一个检查器中查看该节点在合成画面中的整体效果。例如，您可以修改“Text+”文本节点的大小和中心位置，并同时在检视器中查看该节点和合并节点，这样就可以查看文本与背景的匹配情况。



如图所示，被选中的节点会显示红色边框。图中的检查器面板显示的是文本节点的布局选项卡控制。

根据节点任务，您可以调整不同的参数和设置，从调整大小和中心位置，到修改发射器节点的粒子数量。设置关键帧并修改一段时间内的设置就会产生动画效果。

制作关键帧

在检查器窗口中右键点击一项设置，然后在上下文菜单中选择“动画”即可设置关键帧。该项设置右侧的关键帧图标会变红。这代表关键帧已启用，您做的任何修改只会应用于当前帧。当修改另一个帧的设置参数，创建两个或多个关键帧时，帧之间会添加过渡插值。您可以利用关键帧图标两侧的箭头，准确地将播放头移动到时间线上特定的位置。



图中的“大小调整”关键帧动画已经被平滑处理为一条贝塞尔曲线。您可以点击贝塞尔手柄，缩短或拉长曲线，或者点击关键帧方块图标移动关键帧位置。

样条线面板为您提供更多控制关键帧动画的选项。您可以选择关键帧，比如第一个和最后一个关键帧，按下“SHIFT”+“s”，或者右键点击关键帧然后选择“平滑度”，即可将这些帧之间的动画平滑处理为一条贝塞尔曲线。

使用动态跟踪器和添加文本工具

为了更好地演示Fusion的使用方法，我们将举例说明如何使用跟踪器工具跟踪片段中的元素，以及如何使用跟踪数据添加文本，并将文本附在元素上。

“跟踪器”工具会在一定时间里跟踪x和y轴上的像素，并且生成数据，您可以用这些数据附加其他元素。当您想要把文本的位置与移动中的物体匹配时，比如在道路上行驶的汽车，或者飞过画面的鸟等，这项功能非常实用。

- 1 在“特效库”中选择“跟踪器”工具，然后把它拖到“MediaIn”和“MediaOut”节点之间的线上。然后，点击这个跟踪器节点，在检查器中显示它的属性。
- 2 按键盘数字键“1”，可在左侧检视器中查看跟踪器节点。相应检视器中会显示带有跟踪器的片段，并且跟踪器位于默认位置。将鼠标指针悬停在跟踪器上方可显示出跟踪器控制柄。点击左上角的跟踪器控制柄，将跟踪器拖到片段中相应的AOI区域。高对比度的区域效果很好，例如汽车引擎盖上的标志。跟踪器会放大图像区域以获得更高的精确度。
- 3 到检查器窗口中，点击“正向跟踪”按钮开始跟踪。跟踪完成后会显示通知窗口。点击“OK”确定。

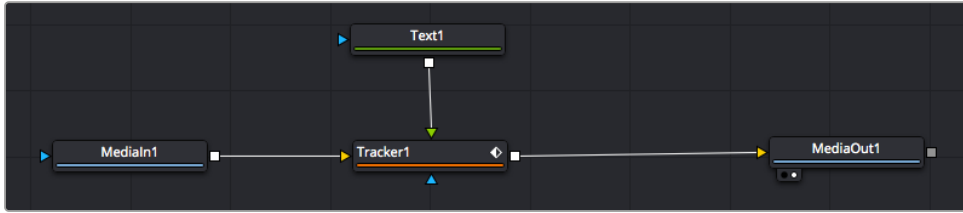


检查器面板中设有跟踪选项，其中包括从尾帧或当前帧反向跟踪，停止跟踪，从当前帧或首帧正向跟踪。

提示 当您的AOI区域从渲染范围消失时，比如汽车或鸟离开画面，从当前帧反向跟踪或正向跟踪就非常实用。这项功能可以只跟踪相关的影像。

现在，您就可以利用跟踪数据，将动态路径应用到文本工具上。

- 4 点击常用节点工具栏中的“Text+”文本节点图标，将其拖入跟踪器节点旁边的节点面板。将“Text+”节点的输出方块与跟踪器上的绿色前景输入端连接起来。



- 5 点击跟踪器节点，按数字键“1”，即可在左侧的检视器中看到合并结果。在跟踪器节点的检查器面板中点击“操作”选项卡。点击“操作”旁边的下拉菜单，然后选择“匹配移动”。
- 6 点击“Text”文本节点可在检查器中显示属性。在文本框中输入文本，按照合成要求修改字体、颜色和大小。

来自跟踪器的跟踪位置数据将被应用于您的文本。如果您希望调整文本的位置偏移，点击检查器面板中的“跟踪器”选项卡，然后用x和y偏移旋钮修改位置。



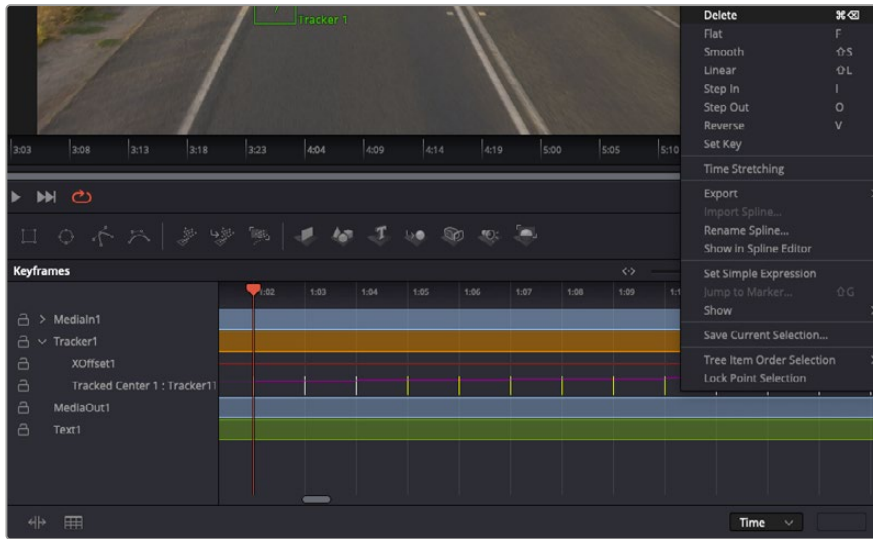
跟踪器检查器面板底部的旋钮可用于调整文本的偏移位置

现在，您播放合成画面时，就能查看到附加在被跟踪物体上的文本了！



绿色方框代表当前跟踪器在绿色路径上的位置，红色虚线代表对文本进行动画化处理所使用的位置偏移。

对于一些镜头，您可能需要在跟踪后删除跟踪点，比如当所跟踪的物体从屏幕上消失的时候。关键帧编辑器让这个流程变得非常简单。



- 7 点击检查器上方的关键帧选项卡，打开关键帧编辑器。应用了关键帧的节点在节点标签旁会有一个小箭头，只有添加了关键帧的参数才会在下列表显示。点击放大图标，将方框拖到您希望编辑的区域。方框会放大选定的区域，方便您查看关键帧。
- 8 将播放头移动到最后一个关键帧的位置。用鼠标在需要移除的关键帧周围点拖一个方框，选中相应的关键帧。这些关键帧会以黄色突出显示。右键点击，并在菜单中选择“删除”。

提示 如果您的特效对系统要求非常高，可右键点击播放控制区域调出代理播放等检视器选项，帮助您在创建合成时获得尽可能高的系统性能。获取完整的播放选项详细信息，请参阅DaVinci Resolve手册。

现在您就完成了第一套在影像中匹配动态的合成动画文本！

如果您希望跟踪含有平面的画面，对其进行强化或替换，可以使用平面跟踪器。跟踪2D平面可用于修改移动画面中的标签和指示牌，甚至为镜头中的监视器或电视机添加画面。

获取更多关于平面跟踪器和DaVinci Resolve Fusion页面中许多强大工具的信息，请参阅DaVinci Resolve手册。

提示 当您在Fusion页面创建视觉特效时，请务必注意所创建的是2D特效还是3D特效，因为这将决定所需合并工具的种类。您可能经常需要在一个合成中融入2D和3D特效。在这种情况下，请记住任何使用3D空间创建的视觉特效必须被渲染成2D图像，才能合并进2D合成。

我们相信您将从使用Fusion、探索Fusion的各种视觉特效和强大的DaVinci Resolve剪辑、调色及Fairlight页面过程中获得许多快乐。DaVinci Resolve强大而丰富的工具集定能助您实现无限创意！

制作母版剪辑

完成剪辑、调色、视觉特效和混音制作之后，下一步就是分享您的作品。您可以使用快速导出按钮或者菜单选项来输出时间线的制作内容，具体可以作为一个独立文件输出，或者作为一组不同格式输出，您也可以使用交付页面的其他功能。



“交付”页面可用于导出您的剪辑。您可以从中选择多种不同的视频格式和编解码器。

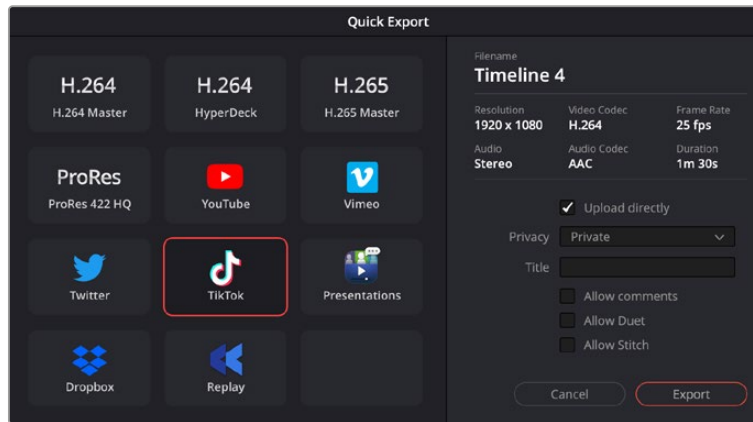
快速导出

依次选择“文件”>“快速导出”，使用其中一种导出预设，将作品从DaVinci Resolve中导出。您还可以使用快速导出功能，将您的作品导出并上传到支持的视频分享平台，比如YouTube、Vimeo、Twitter以及Frame.io。

快速导出步骤如下：

- 1 使用快编、剪辑、Fusion或调色页面，在时间线上设置入点和出点（可选），从而在当前作品上选择需要导出的范围部分。如果没有选定时间线入点和出点，则会导出整条时间线。
依次选择“文件”>“快速导出”。
- 2 从快速导出对话框顶部的预设图标中选择一个。如果想要同时上传到您的在线账户，请点击“登录”，然后勾选“直接上传”复选框并填写相关信息。点击“导出”。
- 3 在导出对话框中选择一个位置，输入文件名，然后点击“保存”。此时会出现一个进度条对话框，显示导出所需时间。

备注 直接上传到TikTok等在线账户时, 您需要通过DaVinci Resolve的互联网账户设置登录。这些设置位于DaVinci Resolve偏好设置的“系统”选项卡中。



导出项目时要直接上传到TikTok, 可点击“直接上传”设置并填写信息

交付页面

在这一页面中, 您可以选择想要导出的片段范围, 以及片段格式、编解码和分辨率。片段可以多种不同格式导出, 比如使用8bit或10bit无压缩RGB/YUV、ProRes、DNxHD、H.264等编解码格式导出QuickTime、AVI、MXF和DPX等文件。

如何导出剪辑的单个片段:

- 1 点击“交付”选项卡打开交付页面。
- 2 找到该页面左上角的“渲染设置”窗口。多种导出预设可供选择, 例如YouTube、Vimeo以及各类音频预设, 或者也可以将该设置保留在其默认的“自定义”预设方案, 再输入相应的参数来手动设定您自己的导出设置。在这个例子中, 选择YouTube, 然后点击该预设一侧的箭头图标, 并选择1080p视频格式。帧率将根据您的项目帧率设置而定。
- 3 您可以在每个预设下方查看到时间线文件名以及导出视频的目标位置。点击“浏览”按钮, 选择导出文件的保存位置, 然后从渲染选项中选择“单个片段”。
- 4 然后, 您马上就会看到时间线上方出现选项框, 并且“整条时间线”选项被选中。表示软件将导出整条时间线。您也可以根据需要选择一段时间线范围。要进行这一操作, 只需要选择入范围和出范围, 并使用“i”和“o”热键在时间线上选择入点和出点即可。
- 5 点击“渲染设置”底部的“添加到渲染队列”按钮。

您的渲染设置将被添加到页面右侧的渲染队列中。现在, 您只需要点击“开始渲染”并监看渲染队列中的渲染进度即可。

当渲染工作完成后, 您可以打开目标文件夹, 双击新的渲染片段来查看完成后的剪辑片段。

对剪辑、调色、混音和视觉特效有了基本了解之后, 就可以开始体验DaVinci Resolve了。更多关于如何充分利用每项功能完成令人满意的项目, 请查阅DaVinci Resolve操作手册。

在DaVinci Resolve Studio中, 以下这些“ResolveFX Revival”插件能帮助您修复使用Cintel Scanner扫描的影像。这些强大的工具能对胶片进行降噪、划痕修复、污点去除等处理, 并帮助您移除可见损伤和瑕疵。

自动除尘

自动除尘插件使用光流技术来查找并修复暂时不稳定的污点、灰尘、头发、走带痕迹等多种持续一到两帧后消失的伪影。该项处理在进行所有修复工作时都会确保帧画面细节在结构上的一致性, 从而获得高品质图像修复。这个插件看似复杂精妙, 但使用起来相对简单。只需将插件拖放到镜头上, 然后将各个参数调整到最佳效果即可。



左图为原始画面, 右图为使用自动除尘后的画面

备注 这一插件在处理多帧同一位置上出现的垂直划痕时效果不是那么显著, 并且对于画面中一直存在的镜头污迹完全无效。

主要控制

下面这些主要控制工具可用来调整画面中污迹被移除的程度。

运动估计模式

具体有“无”、“更快”、“普通”以及“更好”等选项供您选择。该选项可在性能和质量之间进行权衡调整。

相邻帧

该设置可用来选择检测污迹时使用几帧进行比较。选择较多帧进行比较需要较长的处理时间, 但一般来说这样可以找出更多污迹和伪影。

修补强度

这一滑块可用来选择对污迹和伪影进行修补的强度。较低的设置可能会放过一些细小的地方，这些地方有时也可能是污迹，而较高的设置则会消除一切被检测到的对象。

污迹大小阈值

该滑块可用来调整被检测到并且必须被移除的污迹大小阈值。提高该参数可在操作过程中忽略胶片颗粒等因素，但这样可能会导致一些较小的污点未被检测到。

显示修补遮罩

这一复选框可只查看检测到的污迹和伪影，方便您进行微调时明确其产生的效果。

微调控制

这些控制可对效果进行微调，从而在成功移除污迹和保留真正需要的图像细节二者之间起到较好的平衡作用。

运动阈值

该滑块可用来选择被认定为污迹或伪影的运动像素的阈值。较低的设置可能会漏掉一些污迹，但运动伪影会相对减少。较高的设置将会消除更多的污迹，但含有摄影机运动或被摄主体运动的画面中可能会出现更多的运动伪影。

边缘忽略

该滑块可用来避免画面因移除污迹或伪影所出现的硬边缘。设置的值越高，受到影响的边缘就越少。

热像素修复

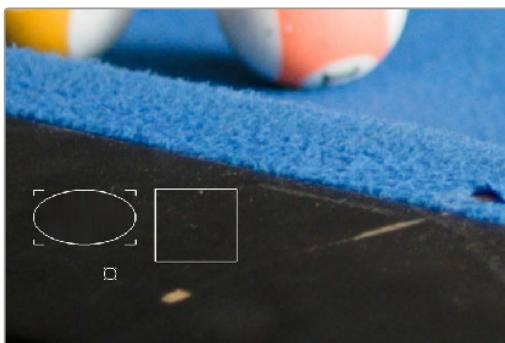
如果来自扫描仪的片段或导入的图像中，有一个或多个像素固定在某个特定色彩或亮度，您可以使用 DaVinci Resolve 的滤镜功能进行补丁修复。该滤镜可以在每个“热像素”上放置补丁加以识别，以便您使用不同的方法来清理图像的这些区域。

这个滤镜在很多方面都和“除尘”插件十分相似，但是“除尘”插件主要针对修复那些只在一帧或两帧上短暂出现的灰尘颗粒，而这个滤镜的设计则更加针对修复那些在片段固定位置上一直存在的瑕疵。

修复热像素

- 1 应用“坏点修复”滤镜，并启用检视器中的 OFX 屏幕控制。
- 2 在滤镜设置中，选择“放置补丁”，并点击每个需要修复的像素。您可以点击图像的任何位置，放置任意数量的补丁。

要移动补丁，只需将它们点击拖动到另一个位置即可。按住 Option 并点击可以删除不再需要的补丁。



多个热像素移除补丁

放置多个补丁时，您可以点击选择想要调整控制的补丁。每个补丁都有不同的控制设置。

常用设置

这几种最常用的控制项可让您选择如何绘制补丁来修复画面中的瑕疵，以及是否显示、如何显示屏幕控制等。

补丁类型

针对图像中不同类型的瑕疵，共有三种不同类型的补丁绘制方式。

绘制矩形

点击并拖动，可从拖动起点到拖动终点放置一个矩形补丁，大小不限。绘制完成后，点击叠加形状的任意边缘并拖动，可调整其位置。

绘制椭圆

点击并拖动，可从拖动起点到拖动终点放置一个圆形/椭圆形补丁，大小不限。绘制完成后，点击叠加形状的任意边缘并拖动，可调整其位置。

放置补丁

可在热像素等微小细节上放置小补丁。选择该选项时，“新补丁大小”滑块会出现，您可以调整补丁的大小，然后放置到画面上。绘制完成后，点击补丁的任意边缘并拖动，可调整其位置。

新补丁大小（选中“放置补丁”时）

可选择使用“放置补丁”工具时所放置的补丁大小。

显示补丁

该复选框可在检视器上显示或隐藏补丁的轮廓。

当操作时隐藏

可在您移动补丁时隐藏检视器上所有补丁的轮廓，便于查看画面中的补丁移动效果，免受补丁轮廓干扰。

补丁类型

您可以使用三种方法来修复所选补丁的内容。绘制新补丁时, 当前所选的补丁类型会决定新补丁的类型。当您选中一个现有补丁时, 更改补丁类型将会更改该补丁的作用方式。

空间

以填充的方式, 使用补丁邻近区域的像素自动填充所选补丁内部区域。这一方式对较小的瑕疵来说很有用, 但对于较大的瑕疵来说, 这可能会产生肉眼可见的形状, 留下较为明显的处理痕迹。

克隆

克隆模式可以复制画面的一部分, 用来填充您在想要移除的内容上放置的某个形状或补丁。这一模式下, 在瑕疵区域上方点击并拖动可放置一个矩形或圆形补丁, 然后再次点击可选择用于克隆的取样区域。点击一次可放置补丁, 再次点击可放置取样区域。选中现有形状或补丁, 然后选择“克隆”, 就可以点击该形状来放置克隆区域。取样区域显示为虚线边框的形状, 和原始形状相连。

混合克隆

操作原理和克隆模式类似, 区别在于该模式下, 被复制用来填充矩形、圆形或补丁的画面部分会和画面进行混合, 达到更柔和的融入效果。

填充方式

使用空域补丁类型时, 填充方式会决定画面中瑕疵的修复方式。

网格

可在矩形、圆形或补丁周围进行像素取样, 并对它们进行水平和垂直向内模糊。该模式特别适合细微的瑕疵。处理较大的瑕疵时, 可能会出现网格形状。

横向

可在矩形、圆形或补丁的左右位置进行像素取样, 并对它们进行向内模糊。

竖向

可在矩形、圆形或补丁的上下位置进行像素取样, 并对它们进行向内模糊。

参差不齐

可在矩形、圆形或补丁的周围进行像素取样, 然后将它们扩展并模糊到一起, 创建一个柔和、不均匀的区域, 用来修复瑕疵。该模式不会出现用网格模式填充的形状现象, 可以创建出极其流畅平滑的效果。

平滑度

使用高斯模糊来修复瑕疵。

补丁选项

这些选项可用来自定义填充瑕疵的补丁效果。

静音

可通过关键帧操作开启或关闭特定补丁。适用于一个镜头中只出现少量像素的瑕疵。

可变化性 (空间补丁)

提高可变化性可以降低填充方式的一致性。

柔边

可柔化补丁的边缘。

大小调整

可在创建补丁后更改其大小。

高级控制

以下控制可用来自定义相应效果的UI。

克隆跟随鼠标

启用后, 当您在克隆或混合克隆模式下绘制或放置矩形、圆形或补丁时, 可立即切换到放置取样区域, 让使用更加快速。

保持新补丁的选中状态

启用后, 补丁在绘制完成后会依然保持选中状态, 准备进一步自定义调整。

用户界面线条粗细

可选择屏幕上所显示轮廓的粗细程度。

补丁跟随于

该参数可用来处理已稳定片段上的热像素或瑕疵。

源

放置的补丁会始终保持在同一个位置, 除非您对该镜头应用运动稳定处理, 在这一情况下这些补丁会随画面变换位置, 从而始终跟随源片段中需要修补的画面部分。

场景

如果您需要去除一个移动物体上的瑕疵, 可以使用FX跟踪器来跟踪需要修补的部分, 从而让补丁始终跟随这一瑕疵。

输出模式

能以不同方式查看您所创建的补丁效果。一共有四个选项。

补丁结果

可显示最终的补丁瑕疵修复效果。

补丁位置

可在黑色背景上用白色显示所有放置的补丁。

差异

可显示原始图像和补丁修复后的差异对比。

差异大小

可突出显示差异。

去闪烁

“去闪烁”插件可处理多种问题，包括延时摄影片段中的曝光闪烁，荧光灯照明的闪烁，存档老胶片中的闪烁，甚至因拍摄时摄影机快门速度不匹配而造成视频画面出现滚动条等某些细微问题。这一滤镜的两大特点就是，它可以只针对那些快速、瞬时的不稳定照明变化，也可以只针对出现闪烁的画面区域，并不影响其他画面部分。因此，这一插件常常可以修复一些被认为是“无法挽回”的问题。



左图为原始图像，右图为将去闪烁设置为“荧光灯”后的效果

主要参数

默认情况下，该插件顶部会显示单个控制，对于大部分情况来说足矣。

去闪烁设置菜单

顶部有两个选项，分别是“延时”和“荧光灯”，这两个预设可以有效消除两种不同类别的闪烁伪影。不论选择哪种预设，都会获得令人满意的效果。第三个选项是“高级控制”，可以在插件中心打开一个“时域降噪”控制，供您根据需要做进一步调整。

时域降噪

该项控制在默认情况下会被隐藏，只会在您为去闪烁设置选择“高级控制”时方才显示。您可以用它还选择场景中的运动检测方式，从而正确解决与画面中所出现的人和物体运动相关联的闪烁问题。

任意一侧的帧数

可指定需要分析的帧数，以界定运动的内容。该数值越高并不代表效果越好。正如上文提到过的，什么设置最为理想，依然取决于场景本身。默认值是3。

运动估计类型

可选择DaVinci Resolve使用的方法来分析图像中的运动。不论可用选项的名称为何，哪些选项有用很大程度上取决于场景本身。“更快”选项相对不太消耗处理器，其准确度会稍有逊色，但这一选项的优势在于它可以更好地处理具有大量细节画面的工作，若此类工作选择“更好”选项的话，处理起来就会费时费力。选择“更好”选项可获得更准确的结果，但同时也会更加消耗处理器，并且该选项将会更努力去尝试匹配微小的细节，而这有时会造成一些问题。“无”选项可完全禁用运动分析，对于那些完全不涉及到运动内容的画面来说，这一选项会比较实用，并且操作速度也会显著提升。“更好”是默认选项。

运动范围

有“小”、“中”、“大”三种设置，用于选择画面中会被检测到的运动速度。

亮度阈值

判定到达何种阈值以上时，亮度发生的变化不会被视为闪烁。范围为0—100，0表示不作任何去闪烁处理，100表示对所有内容应用去闪烁处理。默认值是100。

色度阈值

判定到达何种阈值以上时，色度发生的变化不会被视为闪烁。范围为0—100，0表示不作任何去闪烁处理，100表示对所有内容应用去闪烁处理。默认值是100。

联动亮度色度

可选择是否联动亮度和色度阈值滑块。

运动阈值

判定到达何种阈值以上时，运动不会被视为闪烁。

速度优化选项

默认为选中状态，打开这组控制可显示两个控制项：

“降低的细节运动”复选框

默认为开启，可降低被分析用来检测闪烁的细节数量。很多情况下，这一设置的效果并无可见差异，但可以提升处理速度。如果片段具有经过大幅平滑度处理的微小细节，请禁用该设置。

“限制分析区域”复选框

开启该选项可在采样窗口上显示多项控制，您可以用它来限制对画面特定部分的去闪烁处理。该选项在这两类情况下会十分有用：一是画面中只有一部分内容出现闪烁，此时只处理局部区域可显著提升操作速度；二是由于对画面某一部分进行去闪烁处理，导致画面其他部分出现过度平滑的效果。

去闪烁后恢复原始细节

默认为选中状态，打开这组控制可显示两个控制项：

“要恢复的细节”滑块

可快速隔离出颗粒、微小细节、清晰边缘等不应受到去闪烁处理影响的内容，从而原本保留住这些细节。

“显示恢复的细节”复选框

勾选该复选框可查看检测到的用于“需要恢复的细节”幻灯的边缘，帮助您调整这一操作。

输出

“输出”菜单可以用来选择去闪烁输出的内容，并提供一系列选项来帮助您对出现问题的片段进行故障排查。可用选项如下：

去闪烁效果

最终、修复后的结果。该选项是默认设置。

检测到的闪烁

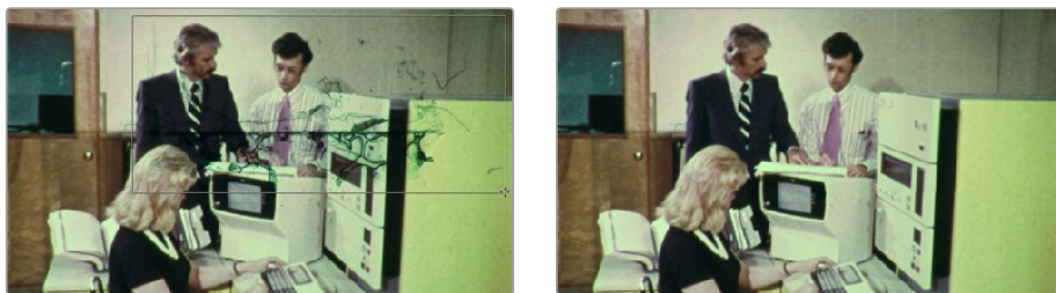
该选项可显示一个遮罩，高光显示出被检测为出现闪烁的画面部分，帮助您评估是否作用于正确的画面部分。这个遮罩也可以非常精细。

放大的闪烁

该选项可放大显示检测到的闪烁遮罩，便于您查看去闪烁插件的一举一动。

除尘

该插件还可以用来去除灰尘、污迹以及片段中的其他缺点和瑕疵，处理时需要用户自行把控，可用于那些自动除尘插件效果不甚理想的片段。需要用户自行把控的方面包括逐帧移动片段，以及在想要移除的瑕疵周围绘制选区。绘制选区之后，有瑕疵的部分就会以最不易察觉的方式被自动消除。除了灰尘和污迹之外，该功能对于处理较大的污渍和斑点也十分有效。



左图为在原始画面的污迹周围绘制选框，右图为使用“除尘”插件后的效果

除尘的处理过程和热像素修复十分相似，但是“除尘”插件主要针对修复那些只在一帧或两帧上短暂出现的灰尘颗粒，而热像素修复的设计则更加针对修复那些在片段固定位置上一直存在的瑕疵。

常用设置

这几种最常用的控制项可让您选择如何绘制补丁来修复画面中暂时出现的不稳定灰尘和污迹, 以及是否显示、如何显示屏幕控制等。

导航控制

这四个按钮可用来跳转到您绘制了补丁的帧画面上。四个按钮选项分别是:

第一个修改的帧

可将播放头跳转到片段中第一个带有补丁的帧上。

上一个修改的帧

可将播放头跳转到片段中上一个带有补丁的帧上。

下一个修改的帧

可将播放头跳转到片段中下一个带有补丁的帧上。

最后一个修改的帧

可将播放头跳转到最后一个带有补丁的帧上。

补丁类型

针对图像中不同类型的瑕疵, 共有三种不同类型的补丁绘制方式。

绘制矩形

点击并拖动, 可从拖动起点到拖动终点放置一个矩形补丁, 大小不限。绘制完成后, 点击叠加形状的任意边缘并拖动, 可调整其位置。

绘制椭圆

点击并拖动, 可从拖动起点到拖动终点放置一个圆形/椭圆形补丁, 大小不限。绘制完成后, 点击叠加形状的任意边缘并拖动, 可调整其位置。

放置补丁

可在热像素等微小细节上放置小补丁。选择该选项时, “新补丁大小”滑块会出现, 您可以调整补丁的大小, 然后放置到画面上。绘制完成后, 点击补丁的任意边缘并拖动, 可调整其位置。

新补丁大小 (选中“放置补丁”时)

可选择使用“放置补丁”工具时所放置的补丁大小。

显示补丁

该复选框可在检视器上显示或隐藏补丁的轮廓。

当操作时隐藏

可在您移动补丁时隐藏检视器上所有补丁的轮廓, 便于查看画面中的补丁移动效果, 免受补丁轮廓干扰。

补丁类型

您可以使用六种方法来修复所选补丁的内容。绘制新补丁时, 当前所选的补丁类型会决定新补丁的类型。当您选中一个现有补丁时, 更改补丁类型将会更改该补丁的作用方式。

自动

默认处理方式。选框绘制完毕后, 当前片段的前两帧和后两帧将会被用来和当前画面进行分析比对。系统会对这五帧中最好的部分进行采样, 用来移除当前帧中的瑕疵。附近两帧画面会被优先利用, 因为这样可以防止出现冻结颗粒的现象, 但前提是它们必须是当前帧内容的适合匹配。

+/- 1帧

如果您从左到右绘制选框, 那么下一帧就会被用来移除瑕疵。如果您从右向左绘制选框, 那么上一帧就会被用来移除瑕疵。

+/- 2帧

如果您从左到右绘制选框, 那么下下帧就会被用来移除瑕疵。如果您从右到左绘制选框, 那么上上帧就会被用来移除瑕疵。

空间

以填充的方式, 使用补丁邻近区域的像素自动填充所选补丁内部区域。这一方式对较小的瑕疵来说很有用, 但对于较大的瑕疵来说, 这可能会产生肉眼可见的形状, 留下较为明显的处理痕迹。

克隆

克隆模式可以复制画面的一部分, 用来填充您在想要移除的内容上放置的某个形状或补丁。这一模式下, 在瑕疵区域上方点击并拖动可放置一个矩形或圆形补丁, 然后再次点击可选择用于克隆的取样区域。点击一次可放置补丁, 再次点击可放置取样区域。选中现有形状或补丁, 然后选择“克隆”, 就可以点击该形状来放置克隆区域。取样区域显示为虚线边框的形状, 和原始形状相连。

混合克隆

操作原理和克隆模式类似, 区别在于该模式下, 被复制用来填充矩形、圆形或补丁的画面部分会和画面进行混合, 达到更柔和的融入效果。

填充方式

使用空间补丁类型时, 填充方式会决定画面中瑕疵的修复方式。

网格

可在矩形、圆形或补丁周围进行像素取样, 并对它们进行水平和垂直向内模糊。该模式特别适合细微的瑕疵。处理较大的瑕疵时, 可能会出现网格形状。

横向

可在矩形、圆形或补丁的左右位置进行像素取样, 并对它们进行向内模糊。

竖向

可在矩形、圆形或补丁的上下位置进行像素取样，并对它们进行向内模糊。

参差不齐

可在矩形、圆形或补丁的周围进行像素取样，然后将它们扩展并模糊到一起，创建一个柔和、不均匀的区域，用来修复瑕疵。该模式不会出现用网格模式填充的形状现象，可以创建出极其流畅平滑的效果。

平滑度

使用高斯模糊来修复瑕疵。

补丁选项

这些选项可用来自定义填充瑕疵的补丁效果。

静音

可通过关键帧操作开启或关闭特定补丁。适用于一个镜头中只出现少量像素的瑕疵。

可变化性 (空间补丁)

提高该参数可以降低填充方式的一致性。

柔边

可柔化补丁的边缘。

大小调整

可在创建补丁后更改其大小。

高级控制

以下控制可用来自定义相应效果的UI。

克隆跟随鼠标

启用后，当您在克隆或混合克隆模式下绘制或放置矩形、圆形或补丁时，可立即切换到放置取样区域，让使用更加快速。

保持新补丁的选中状态

启用后，补丁在绘制完成后会依然保持选中状态，准备进一步自定义调整。

用户界面线条粗细

可选择屏幕上所显示轮廓的粗细程度。

输出模式

能以不同方式查看您所创建的补丁效果。一共有四个选项。

补丁结果

可显示最终的补丁瑕疵修复效果。

补丁位置

可在黑色背景上用白色显示所有放置的补丁。

差异

可显示原始图像和补丁修复后的差异对比。

差异大小

可突出显示差异。

降噪

基于“调色”页面中的降噪控制, Resolve FX的降噪拥有两类GPU加速降噪处理, 专为减轻问题片段中的噪点情况所设计。两种降噪方法可单独或一起使用, 具体的使用搭配取决于特定素材的工作需要。

时域降噪控制工具

时域降噪控制工具可对多个帧画面进行分析, 以便从图像细节中分离出噪点。运动估计设置可在此操作中排除移动对象, 该操作可防止出现不想要的运动伪影。

任意一侧的帧数

您想要进行平均化处理以便从噪点中分离出细节的当前帧两侧的帧数。您可在0和5帧间选择。选择0表示不对任何帧应用平均化处理, 选择的数值越高, 则应用平均化处理的帧数也越多, 从而电脑所要进行的计算也会越密集。较高的帧数值设置虽然能获得更好的分析结果, 但如果画面中存在快速运动的部分, 该设置也会产生一些不需要的伪影。数值为1时可为快速移动的图像生成更好的结果。如果您需要使用更高的帧数值, 但是注意到出现伪影, 也可尝试调整“运动阈值”来解决这一问题。

运动估计类型

可选择让DaVinci Resolve使用哪种方法来探测图像中的运动。默认的“更快”选项, 对处理器的消耗更少, 但较不精确。选择“更好”能更精确有效地排除运动对象, 但也更消耗处理器资源。“无”选项可完全禁用运动估计功能, 从而对整个画面范围应用时域降噪。

运动范围

有“小”、“中”、“大”三种设置, 用于设定运动估计功能应当排除的运动速度。“小”设置用于动态模糊很小或不存在的慢运动对象, 允许时域降噪在给定的“运动阈值”设置下影响更多的画面范围。“大”设置假设带有模糊效果的快速移动对象占据了图像的较大区域, 从而在相同的运动阈值设置下使更多图像排除在时域降噪范围之外。在调整运动阈值参数时, 选用的设置应当能在降噪效果和产生运动伪影间达到最佳的妥协。

时域阈值控制

时域阈值参数可用来控制哪些画面特征可获得更多或更少的降噪处理。

亮度阈值

可决定在图像的亮度分量上所应用的时域降噪程度。调整范围是0-100, 数值为0时代表不应用降噪处理, 100则是降噪处理的最大量。设置太高时有可能消除图像上的细节内容。

色度阈值

可决定在图像的色度分量上所应用的时域降噪程度。调整范围是0–100，数值为0时代表不应用降噪处理，100则是降噪处理的最大量。设置太高时有可能消除图像上的色彩细节。您可能会发现，将色度阈值提升到高于亮度阈值时可减少伪影。

联动亮度色度

一般情况下，亮度和色度阈值参数会联动在一起，因此调整其中的一个可同时改变两个阈值。但是，禁用这一复选框会取消联动这些参数，从而为画面不同部分调整不同的降噪数值，具体取决于噪点出现最为严重的区域。

运动

可定义用来区分处于动态的移动像素和处于静态的移动像素的阈值。动态的移动像素是高于此阈值的，而静态的移动像素是低于此阈值的。使用运动估计功能时，时域降噪处理不会应用在高于此阈值的图像范围，以便通过在运动图像的部分内容上不应用帧平均计算，来防止出现运动伪影。较低的数值会在时域降噪处理中省去更多的图像，只关注更微妙的移动内容。较高的数值要求把更快的运动对象排除在外，因此会在更多的图像内容上应用时域降噪处理。您可在0和100间进行选择，0代表没有在像素上应用时域降噪处理，100则代表在所有像素上应用时域降噪处理。默认数值是50，这是适用于多数片段的折中设置。请注意，如果您设置的运动阈值过高，就可能在图像的移动区域看到伪影。

混合

用于在受到时域降噪影响的画面（参数为0.0）和未经降噪处理的画面（参数为100.0）之间进行叠化过渡。当使用大幅时域降噪时，此参数可轻松进行折中处理。

空域降噪控制工具

空域降噪控制工具能对整个图像上噪点出现频率高的区域进行平滑处理，同时通过保留画面细节来避免柔化效应。它可以有效去除时域降噪无法处理的噪点。

模式

“模式”菜单可用来切换三种不同的空域降噪算法。三种模式均使用完全相同的控制，以便您使用同样的设置在模式之间切换，从而比对结果。

更快

该选项可使用对计算机来说负荷较轻的降噪方法，适合较低设置，但在应用较高的值时可能造成伪影。

更好

该选项可将空域降噪控制切换成使用更高质量的算法，从而获得比“更快”设置更好的计算结果，但也会消耗更多的处理器资源来进行渲染，并且不能分离亮度和色度阈值滑块对每个色彩分量进行单独调整。

增强

该选项可显著提升处理效果，保留图像的锐度和细节，同时提升空域阈值滑块来消除噪点。当空域阈值滑块提升到高数值时，这一改进将会尤为明显，“高数值”的定义视具体图像而定。数值较低时，其改进效果和“更好”模式相比可能相对更加细微。和“增强”模式设置相比，“更好”模式消耗的处理器资源更少。此外，“增强”模式可分离亮度和色度阈值滑块，这样您就能根据图像的具体需要，对每个色彩分量添加不同的降噪数量。

半径

选项包括“大”、“中”和“小”。较小的半径可提供更好的实时性能，并在使用低的亮度和色度阈值时提供良好的处理质量。不过，当使用低降噪阈值时，您可能在图像细节区域看到更多混叠失真现象。

将“半径”设置为逐渐增大，并采用高的亮度和色度阈值，就会使图像细节区域获得更高画面质量，但代价是实时性能较低。“中”选项的降噪半径可为使用中等降噪阈值设置的大多数图像提供合适的处理质量。和许多操作一样，您可以在质量和速度二者之间权衡调整。

空域阈值控制

空域阈值参数可用来控制哪些画面特征可获得更多或更少的降噪处理。

亮度

用于决定在图像亮度分量上应用的降噪处理的多少。调整范围是0–100，数值为0时代表不应用降噪处理，100则是降噪处理的最大量。设置太高时有可能消除图像上的细节内容。

色度

用于决定在图像色度分量上应用的降噪处理的多少。可在保留图像重要边缘细节部分锐度的同时对频繁出现噪点的区域进行平滑处理。调整范围是0–100，数值为0时代表不应用降噪处理，100则是降噪处理的最大量。设置太高时有可能消除图像上的色彩细节。您可能会发现，将色度阈值提升到高于亮度阈值时可减少伪影。

联动亮度色度

一般情况下，亮度和色度阈值参数会联动在一起，因此调整其中的一个可同时改变两个阈值。不过，您可以取消这两个参数的联动，在每个图像分量上调整不同的降噪处理使用量。例如，如果图像在某个降噪水平上显得过于柔化，但您发现色彩斑点要比亮度噪点更多，就可以调低亮度阈值来保留图像细节，同时提升色度阈值来消除色彩噪点。

混合

用于在受到空域降噪影响的画面（参数为0.0）和未经降噪处理的画面（参数为100.0）之间进行叠化过渡。当使用大幅空域降噪时，此参数可轻松进行折中处理。

全局混合

混合

可在无降噪数值为1.0时的图像和带有空域降噪和时域降噪当前设置数值为0.0时的图像之间进行叠化。

使用降噪处理

下面的流程推荐了使用降噪参数获得可控结果的一种方法。

在图像上应用降噪处理：

- 1 从“帧数”菜单中选择1到5帧图像来启用“时域降噪”功能。切记，帧数越多，所需要的渲染时间就会越长，并且它并不一定会显著提升最后的效果，具体取决于您使用的材料。
- 2 根据图像中运动内容的多少，从运动估计类型和运动范围菜单中选择相应选项。如果运动内容很多，您可能需要选择“更好”和“大”选项。如果图像中没有太多运动内容，较低的设置可能就够用。
- 3 亮度和色度阈值链接后，缓慢提升其中一个参数，直到无运动区域的噪点开始降低。然后，进行较小的调整，在不创建伪影或过度柔化细节的前提下决定可添加的最大数量。
- 4 如果图像中的色度噪点明显多于亮度噪点，您可以在亮度降噪调整到令人满意的水平时禁用“亮度/色度”的链接功能，然后提升“色度阈值”来解决图像中的色彩斑点问题。
- 5 如果您对降噪处理使用的最大阈值和防止出现运动伪影之间的妥协设置并不满意，可以通过调整“运动阈值”设置，把它降低以便在降噪处理中省去更多的运动内容，或将其提升以包括更多的运动内容。若您仍不满意，也可以尝试使用更好的“运动估计类型”和“运动范围”设置。

请记住，时域降噪的优势是减少图像非移动区域的噪点。当您在图像静态区域的降噪处理和移动区域避免出现运动伪影两者间实现最佳妥协效果时，就可以换用空域降噪功能，进一步在图像的剩余区域消除噪点。

- 6 通过提升“亮度”或“色度阈值”参数来启用“空域降噪”，这两个阈值参数默认链接在一起。调整参数直至消除噪点和不断增加的图像柔化现象间达到合适的平衡。
- 7 建议您在空域降噪模式弹出菜单中选择“更强”选项，以便尽可能获得最佳效果。但是，该选项可能会较耗处理器，因此如果您要求更好的实时性能，请切换到“更快”模式并比对结果。
- 8 如果图像中的色度噪点明显多于亮度噪点，您可以在亮度降噪调整到令人满意的水平时禁用“亮度/色度”链接功能。然后通过提升“色度阈值”应用更多的空域降噪，以处理图像中的色彩斑点问题。
- 9 如果您不得不在“空域降噪”中使用高的亮度或色度阈值设置，以减少明显的噪点，并解决细节区域看起来有些厚实或失真的问题，可以从“半径”菜单选择一个更大的设置选项，对场景启用更详尽的分析效果。

这种处理可以得到更高的视觉质量，但更大的降噪半径设置将更消耗处理器资源，如果您的系统没有足够的GPU资源，就可能会降低处理的实时性能。

- 10 如果您已找到合适的降噪设置，但降噪结果有些偏重，使图像显得被过度处理，可以尝试提升“空域降噪”和/或“时域降噪”的融合参数，使通过各组控制工具添加的降噪处理和添加降噪处理之前的图像画面之间顺畅过渡。

尝试先进行“时域降噪”，再应用“空域降噪”

由于时域降噪会为隔离出噪点分析多个帧画面，它更擅长于对图像中含较少运动内容的区域细节进行精确保留。如果您尝试先应用时域降噪并获得了满意结果，即便只是在图像的部分区域，也可以减少需要的空域降噪的使用量，从而改善最终处理结果的整体质量。

请记住，虽然时域降噪很善于处理图像中的非移动部分，但在处理运动对象时就不那么有效，空域降噪能减少帧画面中任何低于其阈值的噪点，即便噪点处于运动状态。归根结底，结合使用这两种降噪方法通常是最佳选择。

空域降噪半径，多大的半径范围才合适？

当您正使用较重的空域降噪处理时，较大的降噪半径设置可显著改善镜头中细节丰富区域的画面质量，但您并不总需要使用可提供最高精度的大半径设置。在许多情况下，当评估应用了降噪处理的图像时，您可能实际上无法察觉出提升的部分质量，并且可能会把时间浪费在处理那些不需要进行校正的内容上。

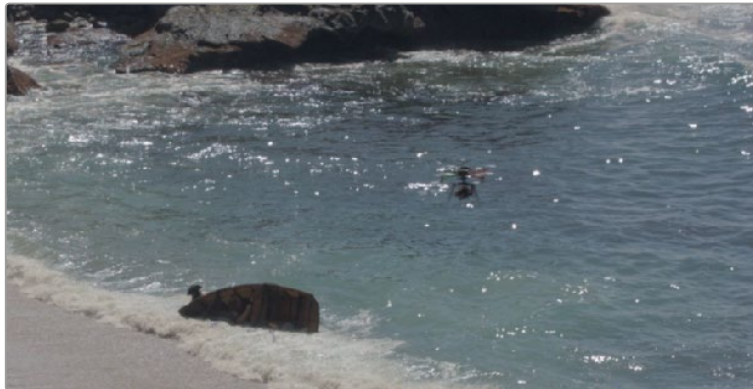
考虑到未来观众的观看环境，确保在足够大的显示设备上对全帧图像进行评估，以便于发现需要处理的噪点是种不错的做法。但在应用降噪处理的同时极度放大图像可能会促使您使用比实际所需更高质量的设置，因为过度放大图像上的细节会让您看到在实际画面尺寸中难以察觉的微小变化。

物体移除

物体移除插件最好是在“调色”页面中使用, 它能尽量自动利用DaVinci Neural Engine神经网络引擎来移除帧画面中的物体。对于经过短暂稳定背景的移动物体, 或者摄影机移动拍摄时镜头上的污迹来说, 该插件最为有效。较小的物体处理结果比较大的物体要好, 但是最后的处理结果取决于具体的素材。以下展示的是简单步骤介绍。

如何移除片段上的某个移动物体:

- 1 本例中, 拍摄记录的画面里有一架无人机飞过。我们需要移除无人机, 首先使用物体移除插件用窗口选中无人机。



需要移除无人机的原始镜头

一般简单情况下, 最方便的往往是对校正节点应用物体移除效果, 以便在该节点中使用窗口或限定器来分离出需要移除的对象。我们将在本例中进行这一操作。

- 2 使用窗口面板, 在需要被移除的物体周围绘制一个窗口。为了获得最佳效果, 请在使用窗口或遮罩时尽可能贴近需要被移除的物体。
- 3 对窗口进行跟踪或关键帧处理, 使其随该物体移动。同样的, 为了获得满意的效果, 请尽可能让窗口贴近需要被移除的物体, 并且可在窗口边缘酌量添加柔化处理。

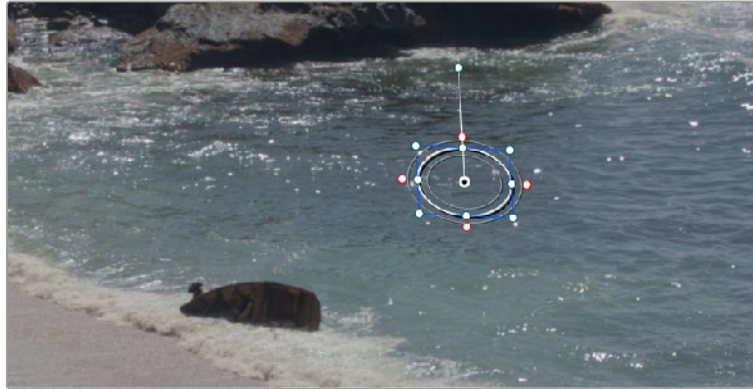


用窗口隔离出需要被移除的物体

- 4 将物体移除插件拖拽到刚才用来分离需被移除物体的节点上。

- 5 该节点中的上下文菜单中会自动激活“使用OFX Alpha”选项, 以便启用物体移除插件, 使用该节点所创建的键控完成这一操作。
- 6 点击“场景分析”按钮, 等待分析结束。如果需移除的物体在移动, 但摄影机位置不变, 您可以勾选“假定无运动”复选框, 以改善本例中的处理结果。

如果您的素材获得理想的物体移除效果, 那么分析完成后, 该物体应该会从画面中消失, 取而代之的是根据物体周围的细节所衍生出来的背景填充。

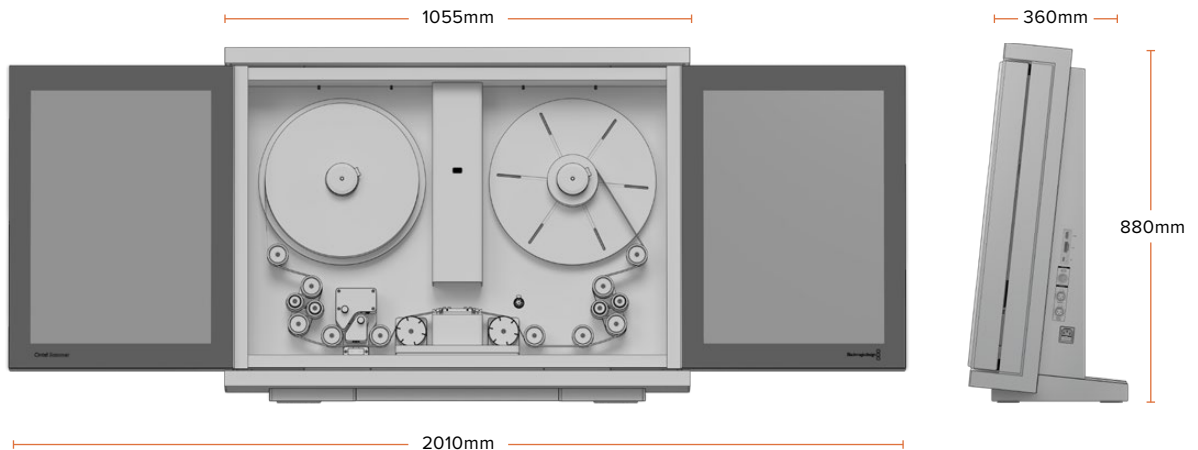


物体移除分析完成后的画面处理结果

物体移除插件的效果需视素材而定, 并非每次都能轻松获得如此完美的处理结果。有些处理结果的窗口中会出现灰色(灰色边缘或灰色填充)的问题。灰色可提示您当前设置中所出现的问题, 也就是无法找到用于填充移动窗口的背景内容。出现这类情况时, 您可以尝试两种办法。

- 如果您在播放分析结果时, 注意到有些帧画面上的物体移除遮罩出现灰色边缘, 可尝试调整“搜索范围”滑块, 以帧为单位, 调整与当前帧物体移除插件搜索替换图像细节的距离。如果搜索范围是20, 表示它会搜索距离当前位置 ± 20 帧的范围, 也就是就是一共40帧。10帧的允许范围表示每4帧为一个单位。您通常会在最小的范围设置下获得最能接受的结果。
- 如果您注意到有些帧画面上的物体移除遮罩出现灰色填充, 这表示系统无法为这些帧生成背景填充。出现这类情况时, 可以尝试点击“构建干净图层”按钮, 从而进行“更好的猜测”来生成一个背景, 用来填充这些帧, 并且和那些成功完成填充的帧较好地统一起来。
- 如果窗口成功填充, 但填充背景的混合效果看上去有些生硬, 您可以尝试更改混合模式。默认为“线性”, 也就是简单的克隆操作。您可以选择“适配混合”来获得更好的处理结果, 有些替换窗口的边缘有着和背景不同色彩和亮度的情况除外。
- “场景模式”菜单可提供不同的场景分析方法, 更好地分析需被替换区域的移动方式, 从而为物体移除后所留下的空白处决定最好的填充方式。背景可分析需被移除物体之外的全部图像范围。边界可分析需被移除物体周围的边界区域。物体可分析随背景移动的物体, 比如摄影机移动时窗口上的贴纸。

技术参数



重量: 60公斤 (132磅), 未加载胶片时。采用壁挂式安装时的尺寸: 高度 – 785mm, 深度 – 265mm。

扫描仪特性

胶片类型

- 正片、负片、翻正片、翻底片
- 黑白和彩色

胶片标准规格

- 35mm:
 - 2、3、4齿孔
- Super 35mm:
 - 2、3、4齿孔
- 16mm
- Super 16mm
- 8mm
- Super 8mm

原生分辨率

4096 x 3072

有效分辨率¹

- 3840 x 2880 – Super 35
- 3390 x 2465 – Standard 35
- 3390 x 2865 – Anamorphic 35
- 1903 x 1143 – Super 16
- 1581 x 1154 – Standard 16
- 892 x 638 – Super 8
- 752 x 567 – Standard 8

音频

从扫描图像提取

HDMI格式

3840 x 2160 Ultra HD或1920 x 1080 HD, 自动选择匹配监视器分辨率。

污痕及刮痕去除

- 漫射光源
- 清洁滚轮

安装方案

- 台式安装
- 壁挂式安装

动态范围

- 正常扫描: 12档
- HDR扫描: 增加高达3.5档

传输特性

连续动态

运行速度
1 – 30fps

快速运行

1– 100fps (35mm)
1 – 200fps (16mm)

胶片收缩容差

可达2%, 维护得当或可更高。

加速

5 – 30fps/s

容量

2000ft (35mm)

接口

HDMI视频输出

1 x HDMI 1.4 10bit 4:2:2
仅用于预览。

配件接口

XLR6

计算机接口²

- Thunderbolt™3, 用于画面和音频采集以及软件更新, 支持15W 5V USB-C充电。
- PCI Express 4速第二代

双相位/时间码输出³

- 双相位4.5伏DC耦合
- 时间码1.5伏DC耦合
- 时间码支持24、25和30fps

模拟音频输入

2个专业平衡模拟音频通道, 带采样率转换器, 通过XLR接口, 10dBV电平。

AES/EBU音频输入

2个通道, 带采样率转换器, 通过XLR接口。

¹ 仅为裁切画面区域的分辨率。

² Cintel Scanner仅具备Thunderbolt 2端口。

³ Cintel Scanner 2或更新型号。

电源要求

电压范围

90 – 240V AC

电源

200W

保险丝

T5AL¹ 20mm

理想胶片条件

操作温度

18 – 28°C

相对湿度

最高65%不结露

操作系统

Mac、Windows和Linux

配件

- Cintel Audio and KeyKode Reader

- Cintel Scanner 16mm Gate HDR

- Cintel Scanner 8mm Gate HDR

- Cintel Scanner 35mm Gate HDR

- Cintel Cleaning Roller Kit

- Blackmagic PCI Express Cable Kit

Audio and KeyCode Reader

均衡 光学音频SMPTE、磁性音频IEC	光学音频35mm 带宽 40Hz–16kHz +-2dB	完整的调制电平 -18dBFS
支持的KeyCode扫描速度 扫描仪的所有速度	SnR信噪比⁴ 透明片基-65dB	耳机电平⁷ 在50Ω负载下为-18dBu
LED类型 可选购光学音频和KeyCode Deep RED	抖晃率⁵ < 0.15%	音频接口 XLR6
所支持的音频扫描速度 6fps–125%所选的电影帧率 例如, 24fps电影帧率具有30fps的最大扫描速度, 16mm胶片具有12fps的较低限度。	光学音频16mm 带宽 40Hz–7kHz +-2dB	计算机接口 USB-C, 用于软件更新。
支持的光学音频类型 – 变积式 – 变密式	SnR信噪比⁴ 透明片基-65dB	功耗 10W, 12V DC
音频采样率及位深 48kHz 24bit PCM WAV文件	抖晃率⁵ < 0.3%	尺寸规格 高度: 156mm 宽度: 92mm 深度: 106mm 重量: 1.35kg
	16mm单齿孔磁带 触压 15克	
	带宽⁶ 32Hz–14kHz +-2dB	
	SnR信噪比⁴ -55dB	
	抖晃率⁵ < 0.3%	

⁴ SnR信噪比是计权测量值。

⁵ 抖晃率以IEC 386标准测量。

⁶ 理论上, 磁性音频带宽设计为20–20kHz, 但是没有具体的测试材料将其量化。

⁷ 耳机输出仅用于预览。

监管声明



在欧盟范围内处置电子垃圾和电子设备的注意事项。

根据产品所附的提示标志，本设备不得与其它废弃材料共同处置。处置废弃设备时，必须交给指定收集点进行回收。对废弃设备进行单独收集并回收能够节省自然资源，且回收方式不会损害环境和人体健康。获取更多关于废弃设备回收点的信息，请联系您所在城市的回收站，或当时购买设备的经销商。



本设备经过测试，符合FCC规则的第15部分对A类数字设备的限制。这些限制旨在为运行于商业环境中的设备提供合理保护，使其免受有害干扰的影响。本设备可生成、使用且辐射射频能量，如果未按照安装手册来安装和使用本设备，则可能导致对无线电通信的有害干扰。在住宅区运行本产品可能会产生有害干扰，在这种情况下将由用户自行承担消除干扰的费用。

必须满足以下条件后方可操作：

- 1 设备不会造成有害干扰。
- 2 设备必须能够承受任何干扰，包括可能导致意外操作的干扰。



R- REM-BMD-201805001



加拿大ISED认证声明

本设备符合加拿大A类数码产品的相关标准。

任何对本产品的改装或预期用途之外的使用均可能导致相关标准认证无效。

必须使用有高品质屏蔽的HDMI电缆连接HDMI接口。

本设备经检测符合商业环境使用要求。在家用环境中，本设备可能会造成无线电干扰。

安全信息

为避免触电，设备必须连接在配有保护地线的电源插座。如有疑问，请与具有相关资质的电工进行确认。

为了降低触电风险，请勿将设备放在会滴水或溅水的地方。

本产品适合在环境温度低于40°C的热带地区使用。备注：理想的胶片条件为介于18到28摄氏度之间。

确保设备四周留有足够的空间，不受阻碍。

设备内部没有操作人员可维护的零件。维修服务请联系当地Blackmagic Design服务中心。



请在海拔高度2000米以下的地区使用。

加利福尼亚安全声明

该产品可能会让您暴露在塑料部件中所含的微量多溴化联苯等化学物质下，此类物质已被加州政府认定为可能导致癌症、先天畸形或其他遗传危害的物质。



警告

安装有胶片时，Cintel Scanner的重量可以达到155磅，约合70公斤，因此要比大屏幕电视机重很多。如果您不确定墙面或桌面的承重能力是否足以承受安装有胶片的扫描仪总重量，请务必向具有相关资质的工程师进行咨询，以便准确分析安装可行性，从而保证安全。错误的安装将会造成扫描仪掉落，从而造成严重伤害甚至导致死亡。

台式安装

如采用台式安装方案，尤其是当您在扫描仪下方安装台式固定螺丝时，请确保工作台平整并且稳固。固定支架和配件必须具备足够的承重能力，以充分支撑扫描仪的重量。如果您的工作台不足以承受扫描仪的重量，或因年久而老化，就可能会导致扫描仪掉落，继而可能导致严重的人身伤害。

壁挂式安装

采用壁挂式安装方案时，请确保扫描仪的安装位置足以经受常年使用。如墙面因常年安装有壁挂设备而变得不足以承受设备重量，扫描仪可能会掉落，继而可能导致人身伤害。因此，请勿将设备安装在无法承重的位置。固定支架和配件必须具备足够的承重能力，以充分支撑扫描仪的重量。如果安装表面的强度不足以承受设备的重量，扫描仪可能会掉落，继而可能导致人身伤害。

扫描仪的台式方案和壁挂式方案都必须两人以上方可安装。切勿独自一人安装设备。

操作

扫描仪的运行需要用户操控，并且其胶片安装过程也涉及用户亲自操作。操作时请务必小心，因为设备上的移动部件可能造成危险。进行胶片扫描时，请不要用手指及身体其他部位触碰扫描仪。

加利福尼亚安全声明

该产品可能会让您暴露在塑料部件中所含的微量多溴化联苯等化学物质下, 此类物质已被加州政府认定为可能导致癌症、先天畸形或其他遗传危害的物质。

详情请访问网址: www.P65Warnings.ca.gov

授权维修人员警告



请确保电源从插座拔出后方可进行维护。

帮助

获得帮助最快捷的途径是登陆Blackmagic Design在线支持页面并浏览有关Cintel Scanner的最新支持信息和材料。

Blackmagic Design在线支持页面

请登陆Blackmagic Design支持中心www.blackmagicdesign.com/cn/support获得最新版操作手册、软件以及技术答疑文章。

Blackmagic Design论坛

您可以登陆我们的网站访问Blackmagic Design论坛, 获得更多信息和有用的创意资源。访问论坛也是获取帮助的一个捷径, 因为论坛中不乏经验丰富的用户和Blackmagic Design的员工, 他们都能为您答疑解惑。请登陆网址<https://forum.blackmagicdesign.com>进入论坛。

联系Blackmagic Design支持中心

如果我们提供的支持信息和论坛均无法解答您的疑问, 请到支持页面下点击“给我们发送电子邮件”按钮即可发送技术支持请求。除了上述途径外, 您也可以点击支持页面下的“查找您所在地区的支持团队”按钮, 致电当地Blackmagic Design支持中心获得帮助。

查看当前安装的软件版本

要检查Mac、Windows或Linux计算机上安装的DaVinci Resolve版本, 请打开DaVinci Resolve。点击“DaVinci Resolve”菜单下方的“关于DaVinci Resolve”菜单即可查看软件版本号。

要检查Mac、Windows或Linux计算机上安装的Cintel Scanner软件版本, 请打开Cintel Setup实用程序, 前往“About”选项卡中查看软件版本号。

如何获得更新

检查完电脑上安装的DaVinci Resolve和Cintel Scanner软件版本后, 请登陆网址www.blackmagicdesign.com/cn/support访问Blackmagic Design支持中心查看最新版本。请关注版本更新, 但切勿在重要项目制作过程中升级软件。

创建状态报告

您可以使用Cintel Scanner软件来创建状态报告, 并将该报告发送到Blackmagic支持中心, 从而帮助诊断和解决所遇到的问题。如果您安装了Audio and KeyCode Reader, 可以为它生成状态报告。

要生成状态报告, 请运行Cintel Setup实用程序, 点击设置图标, 然后前往“About”选项卡。在“Device Information” (设备信息) 部分, 点击“Create” (创建)。此操作会生成一个HTML文件, 因此您可以轻松读取Cintel Scanner和Audio and KeyCode Reader的状态信息。

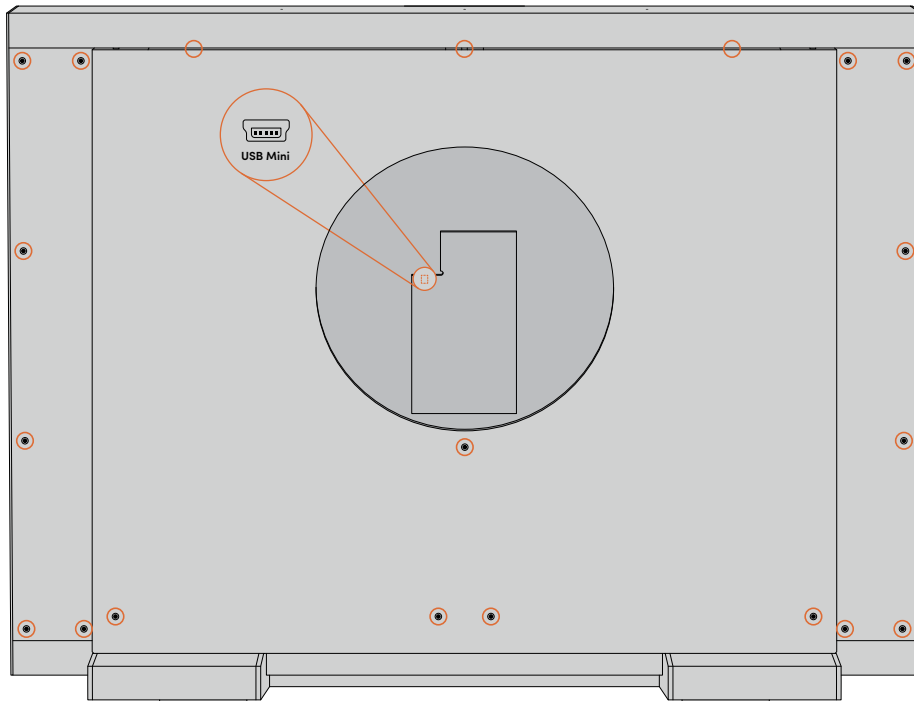
USB恢复

当软件升级中断（几乎不可能发生），或在升级过程中遇到问题，Cintel无任何响应时，您可以将计算机连接至专门的USB端口进行USB恢复。

开启您的Cintel并查看Thunderbolt端口附近的状态LED灯，亮起绿色表示USB恢复已就绪。如果LED亮起红色，则需要联系Blackmagic Design技术支持。

- 1 移除Blackmagic Cintel Scanner的后面板。用于系统恢复的USB端口位于中间靠上位置。它位于电路板一侧，朝向Cintel Scanner正面，从Cintel Scanner顶部可以看到。

备注 考虑到扫描仪的重量，如果您因无法够到后面板而需要移动扫描仪，请确保两人一同操作，并且平台足够结实。详情请参阅本手册中“拆箱及安装”部分的内容。



移除后面板可找到用于USB恢复的USB端口

- 2 将您的计算机通过mini-B USB线缆连接到USB恢复端口上。

- 3 请从Blackmagic Design网站下载最新版Cintel Scanner软件, 安装到您的计算机上并运行该软件。Cintel Setup实用程序会检测到您的计算机已连接至Cintel Scanner的USB恢复端口上。点击“Update Now” (立即更新)。



Cintel Scanner软件会检测到您的计算机已连接至扫描仪的USB恢复端口上。

- 4 升级恢复完毕后, Cintel Scanner应该会运行最新版软件且正常运作。您可以断开USB线缆, 连接Thunderbolt线缆, 再重启您的扫描仪来检测是否工作。
- 5 将后面板安装回原位, 并重新将Cintel Scanner安装就位, 以便正常工作。如需进一步协助, 可访问Blackmagic Design论坛, 或通过Blackmagic Design支持中心与我们联系。

保修

12个月有限保修

Blackmagic Design保证本产品自购买之日起12个月内不会有材料和工艺上的缺陷。若本产品在其保修期内出现质量问题, Blackmagic Design可选择为产品提供免费修理或更换零部件, 或者更换缺陷产品。为确保消费者有权享受本保修条款中的服务, 如遇产品质量问题请务必在保修期内联系Blackmagic Design并妥善安排保修事宜。消费者应将缺陷产品包装并运送到Blackmagic Design的指定服务中心进行维修, 运费由消费者承担并预先支付。若消费者因任何原因退货, 所有运费、保险费、关税等各项税务以及其他费用均由消费者承担。

本保修条款不适用于任何因使用、维护不当或保养不周造成的缺陷、故障或损坏。根据本保修服务, Blackmagic Design的保修范围不包括以下内容: 1. 对由非Blackmagic Design专门人员进行的安装、维修或保养所造成的损坏进行维修, 2. 对因安装、使用不当或连接到不兼容设备所造成的损坏进行维修, 3. 对因使用了非Blackmagic Design生产的零部件所导致的损坏或故障进行维修, 及 4. 对经过改装或和其他产品进行组装的产品进行保养维修 (因为产品经改装或组装后会增加保养维修所需时间或保养难度)。

本保修条款由BLACKMAGIC DESIGN提供, 它可取代所有其他明示或隐含的保修。BLACKMAGIC DESIGN及其供应商对任何有关适销性及就特定用途的适用性等隐含保证不作任何担保。BLACKMAGIC DESIGN负责为消费者提供缺陷产品的维修或更换服务是完整和排他性补救措施。任何间接、特殊、偶然或必然损坏等损坏, 不论BLACKMAGIC DESIGN或其供应商是否事先获悉, BLACKMAGIC DESIGN均不予负责。若消费者对本设备进行非法使用, BLACKMAGIC DESIGN概不负责。对因使用本产品造成的损失, BLACKMAGIC DESIGN概不负责。本产品的操作风险由用户自行承担。

© 版权所有 2024 Blackmagic Design。保留一切权利。“Blackmagic Design”、“Cintel”、“DeckLink”、“DaVinci Resolve”均为美国及其他国家的注册商标。所有其他公司名称及产品名称可能是其他所有者的注册商标。

Cintel Scanner





환영합니다

새로운 Cintel Scanner를 구입해 주셔서 감사합니다.

새로운 Cintel Scanner는 지속적으로 시작-정지 모션 기능을 사용하는 기존의 스캐너와는 달리 필름을 실시간으로 스캔해 훨씬 빠른 속도로 전송할 수 있습니다. Cintel Scanner는 텔레시네 기능을 제공하지 않아 필름을 비디오로 전송하지 않으며, 대신 Thunderbolt 3 또는 PCIe를 통해 DaVinci Resolve로 전송해 필름의 편집과 스캔 영상의 색보정, 리프레이밍, 노이즈 리덕션, 오디오 추출 등을 수행할 수 있습니다.

하드웨어 제품에서는 사용할 수 없는 많은 기능을 제공하는 DaVinci Resolve에서 스캐너를 운영하면 일반 필름 스캐너보다 훨씬 다양하고 창의적인 제어 기능을 사용할 수 있습니다. Cintel은 DaVinci Resolve 시스템이 가진 기능과 호스트 컴퓨터의 GPU 또는 eGPU를 활용하므로 부피가 크고 값비싼 전자 제품을 복잡하게 연결할 필요가 없습니다.

스캐닝 워크플로는 간단합니다. 표준, 또는 높은 다이내믹 레인지의 필름을 중간 RAW 파일로 스캔한 뒤 필름을 타임라인에 추가하고 노이즈 리덕션과 색보정, 리프레이밍을 수행한 후, DaVinci Resolve의 딜리버리 페이지에서 원하는 파일 포맷으로 렌더링할 수 있습니다.

저희는 또한 여러분의 워크플로를 향상시키기 위한 부가 장치 또한 개발했습니다. Audio and KeyCode Reader 부가 장치 옵션을 사용하면 광학 오디오 또는 마그네틱 오디오를 실시간 보다 빠른 속도로 스캔할 수 있을 뿐만 아니라 KeyCode 정보를 DaVinci Resolve 클립에 바로 임포트할 수 있습니다. 또는, 스캐너를 다운스트림 오디오 시스템과 동기화할 수 있습니다.

DaVinci Resolve의 모든 기능을 스캐너와 함께 사용할 수 있으므로 DaVinci Resolve 설명서 및 튜토리얼 영상을 확인하는 것 또한 좋은 방법입니다. DaVinci Resolve 시스템을 최대한 활용하는 방법을 소개하는 DaVinci Resolve 사용자의 다양한 튜토리얼 영상 및 서드파티 업체에서 제공하는 수준 높은 학습 영상을 이용할 수도 있습니다.

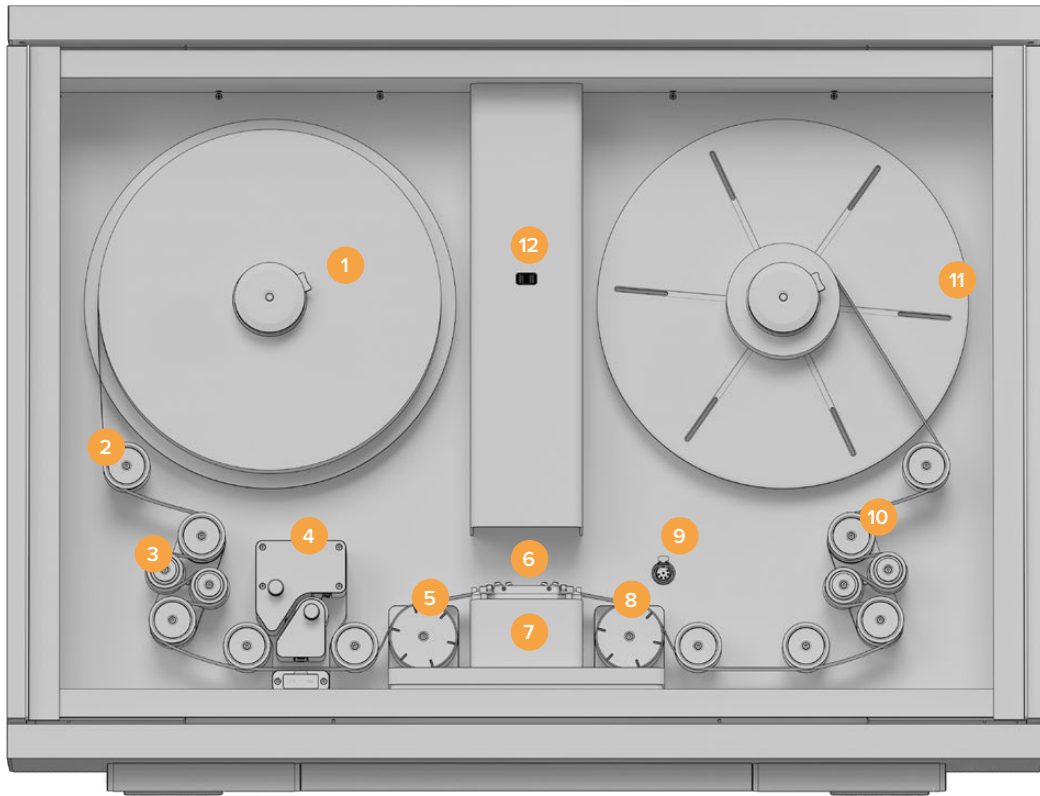
또한 이 설명서의 최신 버전과 Cintel Scanner의 내부 소프트웨어에 대한 업데이트는 당사 웹사이트 www.blackmagicdesign.com/kr의 고객 지원 페이지에서 확인하실 수 있습니다.

Blackmagic Design의 CEO
그랜트 패티(Grant Petty)

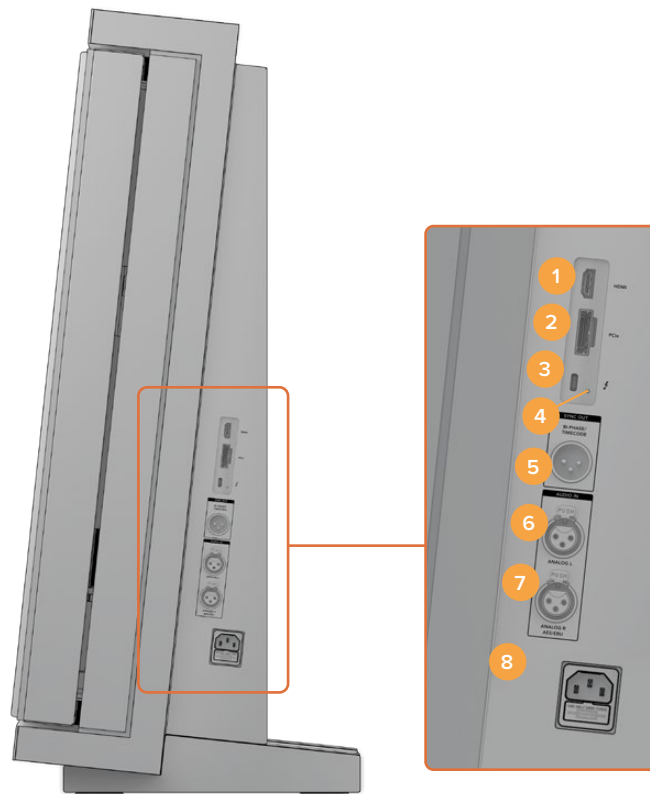
목차

제품 개봉 및 설치	799	키코드 스캔을 위한 리더기 설정	849
데스크에 설치하기	799	키코드 메타데이터를 포함한 DPX 트랜스코딩하기	850
벽에 설치하기	800	정비	852
스캐너 설치 시 안전 경고	801	필름세척롤러(PTR) 세척하기	852
시작하기	802	캡스턴 청소하기	852
소프트웨어 설치하기	802	먼지 제거	853
전원 연결하기	802	Audio and KeyKode Reader의 롤러 청소하기	853
컴퓨터에 연결하기	802	Audio and KeyKode Reader의 마그네틱 오디오 헤드 청소하기	854
DaVinci Resolve 사용하기	803	마그네틱 헤드 교체하기	855
소프트웨어 업데이트	804	마그네틱 헤드 PCB 교체하기	857
소프트웨어 개발 키트(SDK)	805	마그네틱 헤드 런타임 초기화	861
HDR이란?	805	헤드 정렬 확인하기	861
드라이브 휠 유형	806	DaVinci Resolve 사용하기	866
필름 연결하기	806	프로젝트 매니저	866
스캐너 사용하기	810	컷 페이지를 사용하여 편집하기	867
필름 감기 방식	810	타임라인에 클립 추가하기	870
16mm로 전환하기	811	타임라인에서 클립 트리밍하기	871
8mm로 전환하기	813	오디오 트림뷰	872
8mm 필름 게이지 전환하기	814	타이틀 추가하기	872
필름 경로 강력 나사	816	Blackmagic RAW 파일로 작업하기	873
재생 제어 버튼	817	컬러 페이지에서 클립 색보정 하기	877
대기 모드	818	파워 윈도우 추가하기	880
DaVinci Resolve를 사용하여 스캔 영상 캡처하기	818	플러그인 사용하기	882
Cintel Scanner 인터페이스	818	편집 페이지에서 오디오 믹싱하기	882
필름 컨트롤	819	Fairlight 페이지	883
광원 조절하기	822	Fusion 페이지에서 VFX 시각효과 추가 및 합성하기	888
이미지 안정화	823	Fusion 시작하기	890
필름 보호 기능	826	편집 영상 마스터링하기	896
캡처 정보 및 메타데이터 편집하기	826	Quick Export	896
필름 스캐닝 워크플로	828	딜리버리 페이지	897
스캐너 색상 조절하기	832	자동 먼지 제거	898
필름의 한 부분 또는 여러 부분 스캐닝하기	833	Main Controls	898
오디오 추출하기	834	Fine Controls	899
오디오 추출 설정	835	핫픽셀 수정하기	899
색공간 및 크기 조절	837	General	900
Audio and KeyKode Reader 옵션	839	Patch Type	901
Audio and KeyKode Reader 장착하기	840	Patch Options	902
오디오 읽기	842	Advanced Controls	902
오디오 스캐닝을 위한 리더기 설정	843		
키코드 읽기	849		

Deflicker	903	Spatial NR Controls	910
주요 파라미터	903	Spatial Threshold Controls	911
Temporal NR	903	Global Blend	911
Speed Optimization Options	904	노이즈 리덕션 사용하기	912
Restore Original Detail After Deflicker	904	피사체 제거	914
Output	905	사양	916
먼지 제거 기능	905	규제 사항	919
General	906	안전 정보	920
Patch Type	907	도움말	922
Patch Options	908	최신 버전으로 업데이트하기	922
Advanced Controls	908	상황 보고서 작성하기	922
노이즈 리덕션	909	USB 복구	923
Temporal NR Controls	909	보증	925
Temporal Threshold Controls	909		



1. 코어 클램프 2. 롤러 3. 먼지 제거 롤러 4. 좌측 옵션 인터페이스에 장착하는 Audio and KeyCode Reader 옵션 5. 텐서너 휠 6. 스킨드 플레이트 7. 광원 8. 드라이브 휠 9. 핀 레지스트레이션 확장 포트 10. 컴플라이언스 암 11. 스펀러 백플레이트 12. 포커스 휠



1. HDMI 2. PCIe 3. Thunderbolt 3 4. 전원 공급 상태 5. 바이페이스 동기화 / 타임코드 출력 6. XLR3 오디오 입력 1 7. XLR3 오디오 입력 2 8. 전원 연결

제품 개봉 및 설치

Cintel Scanner를 구입해 주셔서 감사합니다!

스캐너 사용을 시작하기 전에 먼저 해야 할 일은 스캐너를 개봉하여 벽 또는 평평한 표면에 스캐너를 설치하는 것입니다. 스캐너 하단의 받침대 아래 나사홈이 있어 책상에 설치 시 안정감을 더해줍니다. 뒷면 패널에도 나사홈이 있어 스캐너를 전용 벽걸이 마운트에 안정적으로 설치할 수 있습니다.

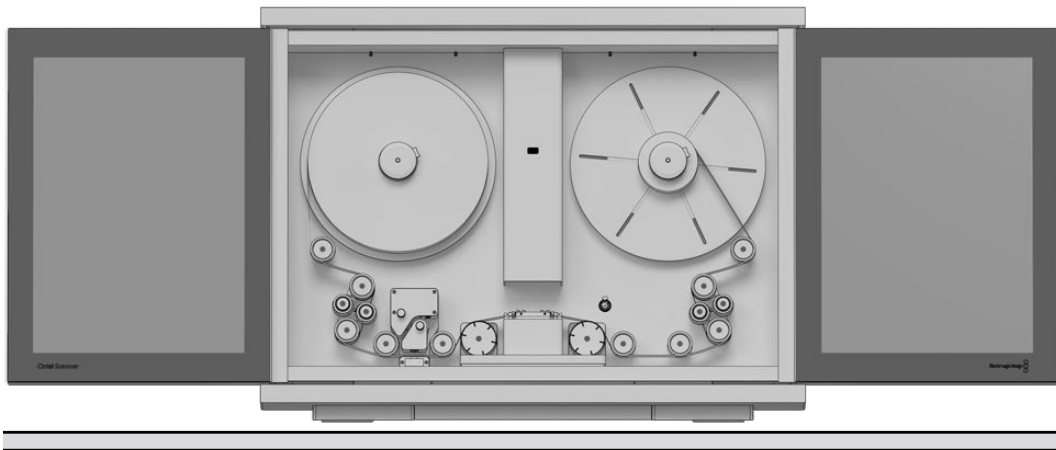
스캐너가 담긴 로드케이스를 열면 스캐너를 단단히 잡을 수 있도록 폼패딩에 공간이 있는 것을 확인하실 수 있습니다.

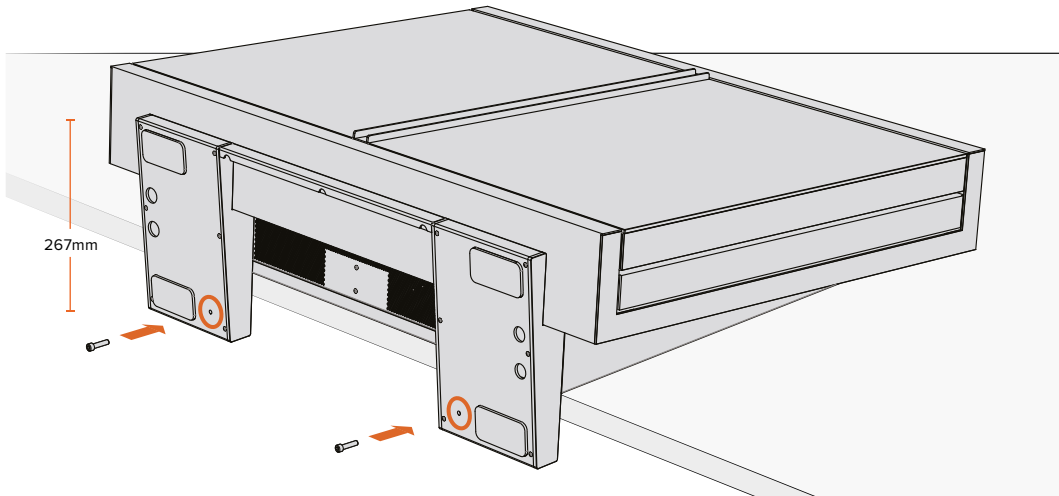
Cintel의 무게는 60kg 이상으로 혼자서 제품을 개봉하기엔 너무 무겁다는 사실을 기억하세요. 콘솔을 운반하는 동안 2명이 함께 무릎을 구부리고 허리를 곧게 편 상태에서 조심스럽게 움직여야 합니다.

로드케이스에서 스캐너를 천천히 꺼내 무게를 견딜 수 있는 평평한 표면 위에 수직으로 올려 놓으세요.

데스크에 설치하기

스캐너 받침대에 있는 나사홈을 사용해 스캐너를 작업대에 고정하면 안정감이 높아집니다. 먼저 책상 또는 작업대에 두 개의 구멍을 뚫어 M6 안전 볼트를 넣고 스캐너 받침대의 나사홈에 맞춰 조입니다. 이를 통해 스캐너가 움직이지 않도록 표면에 안정적으로 고정시킬 수 있습니다.





스캐너를 책상에 설치할 경우, M6 안전 볼트를 스캐너 받침대에 조여 스캐너를 작업대에 고정시킬 수 있습니다

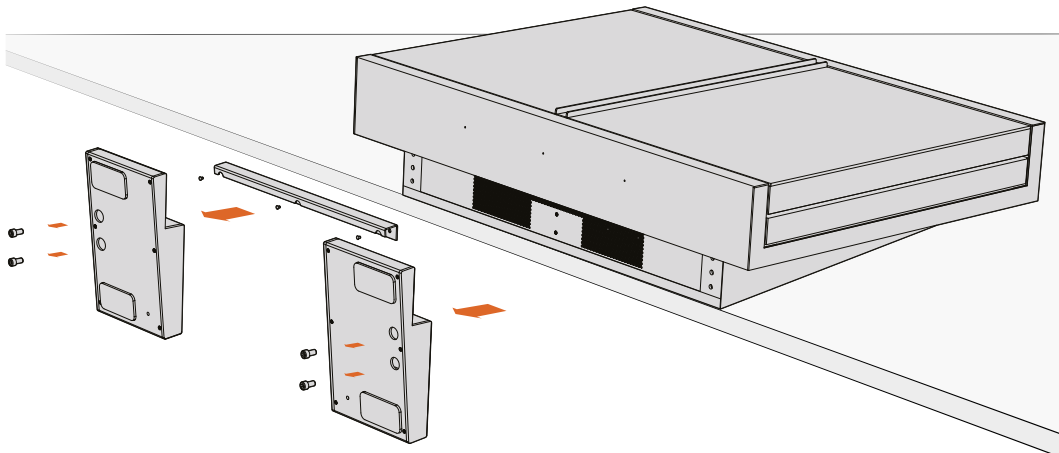
참고 저희는 고객 안전을 최우선시합니다. Cintel Scanner 설치에 앞서 다음 페이지에 소개된 주의 사항을 반드시 읽으시기 바랍니다.

벽에 설치하기

Cintel의 고급스러운 슬림형 공업 디자인은 벽에 설치하기 이상적입니다.

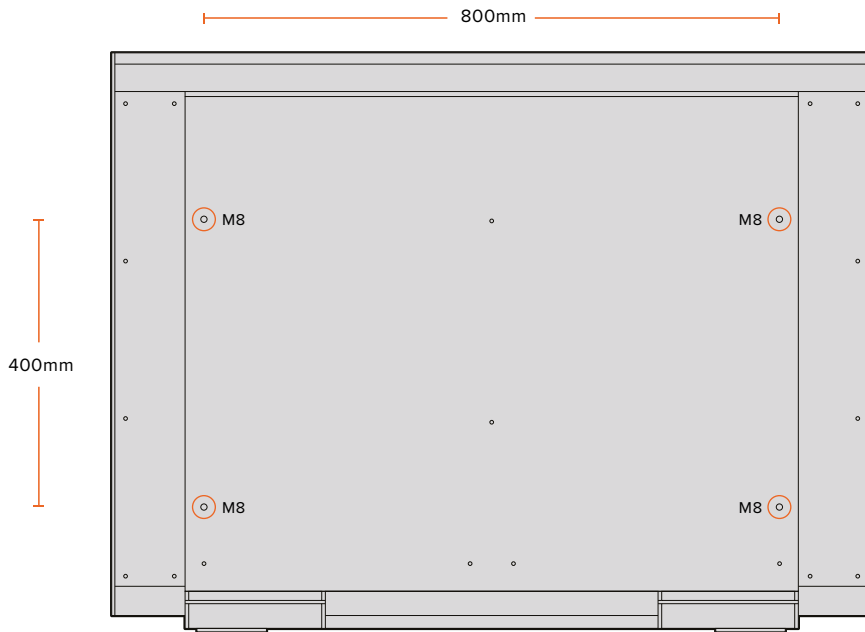
이를 위해 먼저 스캐너 하단에 있는 받침대와 지지대를 분리하세요.

- 1 스캐너 무게를 견딜 수 있는 단단하고 안정적인 표면 위에 스캐너 앞면이 위를 향하도록 한 뒤, 받침대 부분이 책상 끝에 걸리도록 놓으세요.
- 2 M8 육각 드라이버를 사용해 각 받침대의 M8 나사 두 개를 풀고 받침대를 조심스럽게 분리하세요.
- 3 십자 드라이버를 사용해 받침대 사이의 지지대를 분리하세요. 나중에 스캐너 위치를 변경할 때 다시 장착할 수 있도록 스캐너 받침대와 지지대를 안전한 곳에 함께 보관하세요.



스캐너를 벽에 설치하고자 할 경우, 책상 설치용 받침대와 지지대를 분리할 수 있습니다

아래 그림에서 스캐너 뒷면 패널에 있는 네 곳의 M8 나사 위치를 확인할 수 있습니다. 스캐너를 벽걸이 마운트에 고정할 경우 반드시 M8 나사를 사용하세요. M8 나사는 총 길이가 25mm 이하여야 합니다.



스캐너 설치 시 안전 경고

Cintel Scanner의 무게는 필름 장착 시 70kg(155lb)에 달합니다. 대형 스크린 TV보다 훨씬 더 무겁습니다. 벽이나 책상이 필름을 장착한 스캐너의 무게를 지탱할 수 있는 구조인지 확실하지 않은 경우, 안전을 위해 반드시 자격을 갖춘 엔지니어의 조언을 구해야 합니다. 제품을 올바르게 설치하지 않을 경우 스캐너가 떨어져 심각한 부상이나 사망 사고를 초래할 수 있습니다.

스캐너를 책상에 설치하는 동안 스캐너 밑에서 책상 마운팅 나사를 설치하는 경우 작업대가 평평하고 안정적인지 반드시 확인하세요. 마운팅 브래킷과 고정 장치가 스캐너의 무게를 충분히 지탱할 수 있는지 반드시 확인하세요. 작업대 표면이 스캐너의 무게를 지탱할 수 있을 만큼 안정적이지 않거나 시간이 흘러 약해질 경우, 스캐너가 떨어져 심각한 부상을 초래할 수도 있습니다.

스캐너를 벽에 설치할 경우 설치하려는 곳이 장기간 사용에 버틸 수 있을 만큼 튼튼한지 반드시 확인하세요. 장시간 사용으로 인해 지탱하는 힘이 충분치 않으면 스캐너가 떨어져 부상을 초래할 수도 있습니다. 하중을 견디지 못하는 곳에는 절대 설치하지 마세요. 마운팅 브래킷과 고정 장치가 스캐너의 무게를 충분히 지탱할 수 있는지 반드시 확인하세요. 설치면의 지지력이 충분치 않은 경우, 스캐너가 떨어져 인명 피해를 초래할 수 있습니다.

스캐너를 벽면 또는 책상에 설치할 때는 반드시 한 명 이상의 인력이 동원되어야 합니다. 절대 혼자서 설치하지 마세요.

시작하기

스캐너를 개봉해 설치까지 완료했다면 간단히 전원을 연결하고 Thunderbolt를 통해 컴퓨터에 연결한 다음 Blackmagic DaVinci Resolve를 실행하고 필름을 연결하면 사용 준비가 완료됩니다. 스캔한 영상을 바로 외부 모니터에서 확인하려면 필름을 설치하고 수동으로 장력을 조절한 뒤, HDMI 모니터로 출력하세요. 더욱 자세한 설명은 본 설명서의 [필름 연결하기] 및 [재생 제제어 버튼] 부분을 확인하세요.

소프트웨어 설치하기

스캐너의 캡처 제어 장치는 DaVinci Resolve의 필름 스캐너 패널에서 이용할 수 있습니다. 스캔 영상 캡처할 준비가 완료되면 가장 먼저 해야 할 일이 DaVinci Resolve Studio를 다운로드 및 설치하는 것입니다. 스캐너와 함께 DaVinci Resolve용 동글이 제공되어 풀 버전의 DaVinci Resolve를 사용할 수 있습니다.

Blackmagic 고객 지원 센터(www.blackmagicdesign.com/kr/support)에서 최신 버전의 Cintel Scanner 소프트웨어를 다운로드할 수 있습니다.

다운로드가 완료되면 파일 압축을 풀고 해당 파일을 더블 클릭하세요. 그러면 셋업 폴더가 열립니다. 이제 셋업 폴더에 있는 설치 프로그램 파일을 실행하고 화면에 나타나는 지시에 따라 컴퓨터에 소프트웨어를 설치하세요.

또한 Cintel Scanner SDK를 사용해 자신만의 소프트웨어를 개발하여 Cintel Scanner를 제어하고 현재 사용 중인 워크플로와 통합할 수도 있습니다. 더 자세한 정보는 [소프트웨어 개발 키트(SDK)] 부분을 참고하세요.

전원 연결하기

이제 컴퓨터에 필요한 소프트웨어가 모두 설치되었으므로 전원을 연결하여 필름을 장착할 준비를 해야 합니다.

표준 IEC 케이블을 패널 뒤의 오른쪽 하단에 있는 AC 전원 연결에 꽂아 스캐너에 전원을 공급하세요. 전원이 연결되면 스캐너 전원 표시장치 LED에 초록불이 들어옵니다.

컴퓨터에 연결하기

Cintel을 호스트 컴퓨터에 연결할 수 있는 두 가지 방법이 있습니다. Windows/Mac 컴퓨터의 Thunderbolt 3 포트를 통해 연결하거나, Blackmagic Design PCIe Cable Kit를 함께 사용하여 Windows/Linux 컴퓨터의 PCIe 외부 포트를 통해 연결할 수 있습니다. 초점 또는 미리보기 기능을 위해 스캐너의 HDMI 포트로 스캐너를 외부 모니터에 연결해서 사용할 수도 있습니다. Thunderbolt 3 및 PCIe, HDMI 포트는 스캐너 옆면 아래에 있습니다.

DaVinci Resolve 사용하기

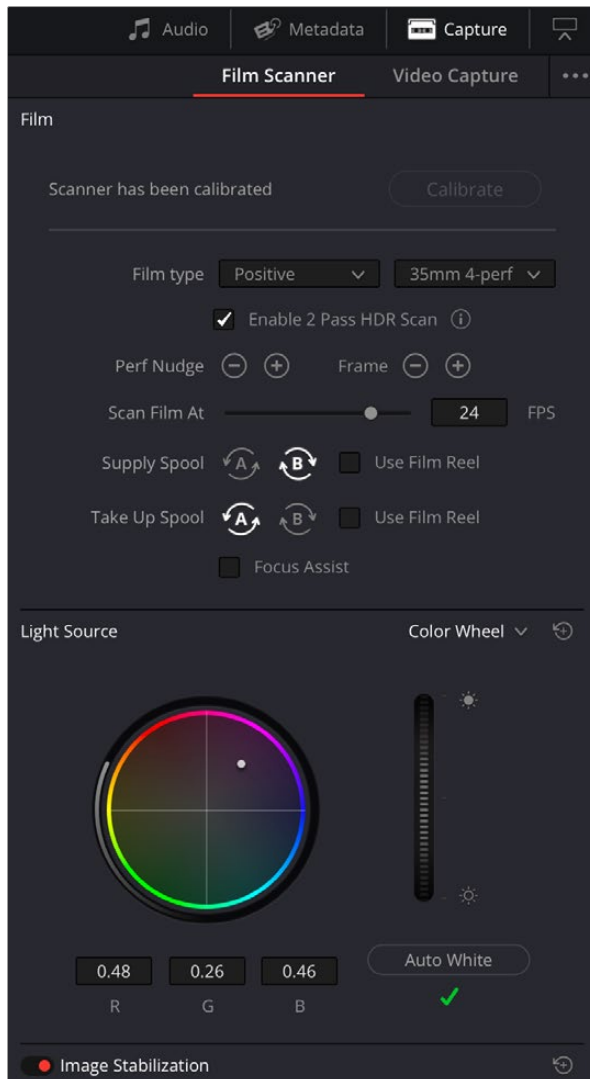
DaVinci Resolve를 실행하고 미디어 페이지를 선택하세요. 화면 우측 상단에 있는 'Capture' 버튼을 클릭하고 'Film Scanner'를 선택하여 DaVinci Resolve의 필름 스캐너 패널을 여세요.

스캐너는 거대한 양의 이미지 데이터를 캡처하기 때문에 DaVinci Resolve에서 캡처한 파일을 저장할 폴더를 설정해야 합니다.

설정 방법

- 1 DaVinci Resolve를 실행하세요.
- 2 DaVinci Resolve의 메뉴 모음에서 'Preferences'를 클릭하세요.
- 3 'Media Storage' 탭에 있는 '+' 아이콘을 클릭하세요. 원하는 드라이브 또는 폴더 경로를 선택하세요.
- 4 'Save'를 클릭하고 DaVinci Resolve를 재시작하세요.

DaVinci Resolve에 있는 'Film Scanner' 패널의 모든 제어 기능 사용법에 대한 자세한 정보는 본 설명서의 [DaVinci Resolve에서 영상 캡처하기] 부분을 참고하세요.



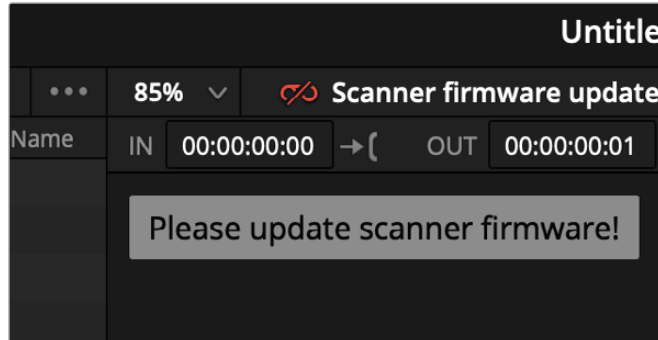
DaVinci Resolve의 필름 스캐너 패널에서 모든 캡처 설정을 제어할 수 있습니다

소프트웨어 업데이트

Cintel Scanner와 Audio and KeyCode Reader에는 내부 펌웨어가 탑재되어 있어 Cintel Scanner 소프트웨어를 컴퓨터에 설치 후 내부 펌웨어를 업데이트해야 할 수도 있습니다.

Cintel Scanner

컴퓨터에 Cintel Scanner 소프트웨어를 설치한 다음 Cintel Scanner를 연결하면 스캐너의 펌웨어 업데이트 필요 여부가 결정됩니다.



Cintel Scanner가 잠겼을 때 DaVinci Resolve에 나타나는 메시지 모습

Audio and KeyCode Reader

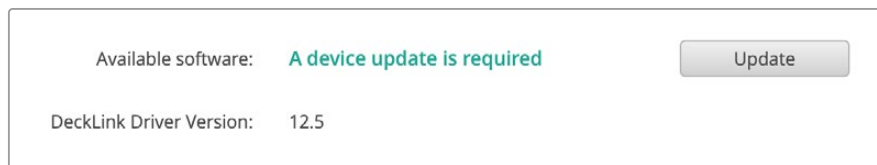
KeyCode Reader의 펌웨어를 업데이트해야 할 경우, 리더기가 잠기면서 DaVinci Resolve에 리더기의 펌웨어를 업데이트하라는 메시지가 나타납니다. 이는 앞서 이미지를 통해 소개된 스캐너의 펌웨어 업데이트와 유사합니다.

펌웨어 업데이트 실행하기

Cintel Scanner와 Audio and KeyCode Reader의 펌웨어를 위한 소프트웨어 업데이트는 Cintel Setup 유틸리티를 통해 관리됩니다.

Cintel Scanner 또는 Audio and KeyCode Reader의 펌웨어 업데이트하기

- 1 Cintel Scanner에 전원을 연결한 다음 컴퓨터의 Thunderbolt 3 또는 PCIe 포트와 연결하세요.
- 2 Audio and KeyCode Reader를 업데이트할 경우, USB-C 케이블을 사용해 컴퓨터와 연결하세요.
- 3 Cintel Setup 유틸리티를 실행한 다음 스캐너 또는 오디오 장치를 선택하세요.
- 4 설정 버튼을 클릭해 'Setup' 탭으로 이동하세요. 업데이트가 가능할 경우, 'Update' 버튼을 누르세요.



'Setup' 탭에는 Cintel Film Scanner 또는 Cintel Audio and KeyCode Reader를 위한 새로운 버전의 펌웨어로 업데이트 가능 여부가 나타납니다.

이제 펌웨어가 최신 버전으로 업데이트되어 최신 설정 및 기능, 호환성이 지원됩니다.

소프트웨어 개발 키트(SDK)

Blackmagic Design에서는 Cintel을 위한 무료 소프트웨어 개발 키트(SDK)를 제공합니다. SDK는 크로스 플랫폼을 지원하기 때문에 Mac/Windows/Linux에서 소프트웨어를 이용하실 수 있습니다. SDK에서 제공되는 응용 예제를 통해 DaVinci Resolve에서 명령어 입력 스캐너를 제어할 수 있습니다.

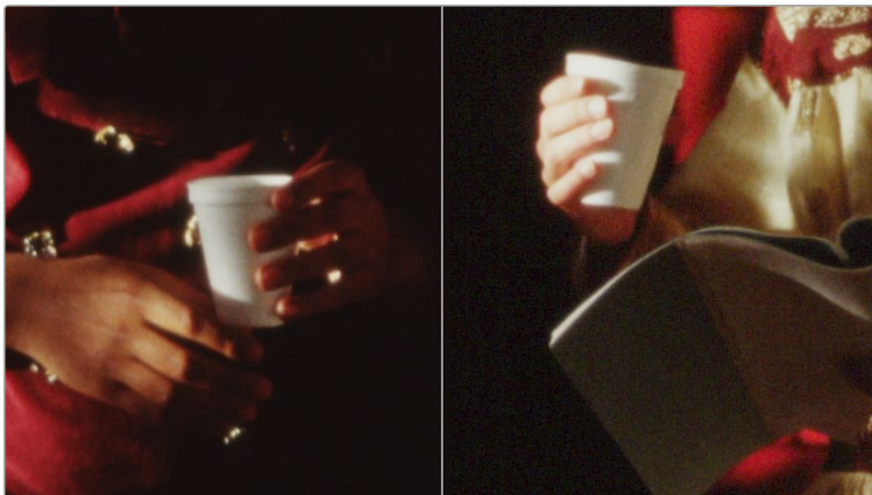
Cintel Scanner SDK를 사용해 스캐너 제어, 설정 변경, 스캔 시작, 클립 처리 등의 작업 수행이 가능한 프로그램을 개발할 수 있습니다. 스캐너와 함께 DaVinci Resolve Studio가 제공되지만, SDK를 사용하면 DaVinci Resolve 권장 사양에 맞지 않는 컴퓨터에서도 스캐너 실행이 가능한 소프트웨어를 개발할 수 있습니다. 더 자세한 정보는 Blackmagic Design 웹사이트의 개발자 정보 페이지 www.blackmagicdesign.com/kr/developer를 참고하세요.

HDR이란?

HDR(고명암대비 기술)은 노출 수준이 다른 여러 이미지를 합쳐 전반적인 다이내믹 레인지를 확장할 뿐 아니라 노이즈 처리 성능을 향상시킵니다. 스캐너의 HDR 스캐닝 작업은 두 단계의 과정에 걸쳐 이루어집니다. 첫 번째 단계에서는 일반 노출 수준으로 스캔합니다. 두 번째 단계에서는 노출의 수준이 훨씬 높아지는데, 이는 프린트(양화)를 위한 로우라이트와 네거티브(음화)를 위한 하이라이트에서 더욱 풍부한 디테일을 제공하기 위함입니다. 일반 노출 수준과 높은 노출 수준이 합쳐져 비트 심도 높은 이미지가 제공됩니다.



일반 노출 수준 패스(좌)와 높은 노출 수준 패스(우)

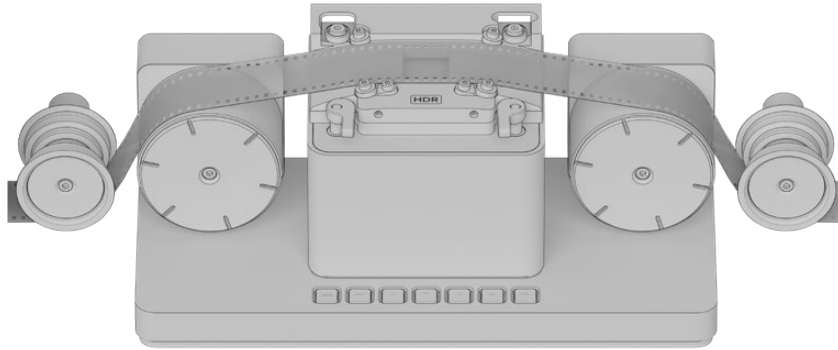


위 이미지는 같은 프레임을 스캔하여 확대한 것으로, HDR 스캔 방식(좌)과 일반 스캔 방식(우)의 차이점을 확인할 수 있습니다. HDR 스캔 영상에서는 줄어든 노이즈와 더욱 정확한 색상, 향상된 새도우 및 하이라이트 디테일을 확인할 수 있습니다.

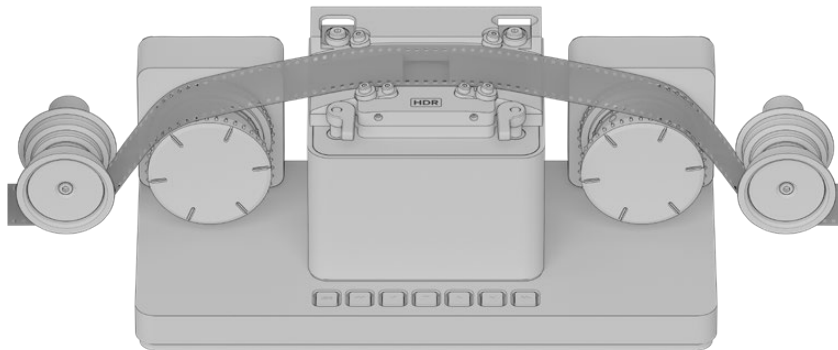
고정밀 HDR 게이트와 이미지 안정 장치가 초기 스캔을 정렬한 다음 고품질의 크기 조절 필터를 사용하여 서브 픽셀이 정확하고 노출 수준이 높은 스캔을 진행하기 때문에, 정렬 문제로 인한 아티팩트가 발생하지 않는 HDR 클립이 생성됩니다.

드라이브 휠 유형

Cintel Scanner에는 모델에 따라 캡스턴 또는 스프로킷 휠이 탑재되어 있습니다. 두 가지 유형의 드라이브 휠 모두 필름을 앞으로 감거나 되감기 위해 회전하며, 그 후 각 프레임을 이미지 센서의 게이트 내에서 각 프레임을 정확하게 정렬하기 위해 멈춥니다. 드라이브 휠은 스캐너와 일체형으로 설계되어 다른 종류의 드라이브 휠로 교체할 수 없습니다.



캡스턴은 필름을 적절한 마찰력으로 잡는 역할을 하며, 손상되기 쉽거나 이미 손상된 필름 퍼포레이션에 영향이 가지 않도록 부드럽게 잡습니다.



스프로킷 휠에는 필름 퍼포레이션과 맞물도록 설계된 여러 개의 이가 있는데, 이미지 프레임이 포함된 필름 부분과는 닿지 않습니다.

제1 드라이브 휠이 필름을 끄는 동안 제2 드라이브 휠이 텐셔너의 역할을 하여 필름이 스킴드 플레이트에서 부드럽게 움직일 수 있도록 합니다. Cintel Scanner의 드라이브 휠이 대칭 형태로 설계된 이유는 다양한 속도로 필름을 앞으로 또는 뒤로 감을 때 두 휠이 동일한 힘과 정확도를 제공할 수 있도록 하기 위해서입니다.

필름 연결하기

스캐너와 DaVinci Resolve의 통신 연결이 완성되었으므로 이제 필름을 스캐너에 장착할 수 있습니다.

스캐너 확인하기

미달이 형식의 스캐너 문을 여세요.

내부 전면 패널 좌측에는 송신 스펴이, 우측에는 수신 스펴이 있는 것을 확인할 수 있습니다. 송신 스펴은 스캐닝하려는 필름을 들고 있는 역할을 하며 수신 스펴은 스캐닝을 마친 필름을 다시 감는 역할을 합니다.

필름 감기 방식 설정

'Wind Type(필름 감기 방식)'을 설정하여 올바른 방향으로 스펴이 작동하도록 하세요. DaVinci Resolve의 'Film Scanner' 패널로 이동하여 'Supply Spool'의 'B' 버튼을, 'Take Up Spool'의 'A' 버튼을 각각 클릭하여 필름 감기 방향을 B/A로 설정하세요.

B/A 설정은 스캐너의 기본 필름 감기 설정으로 송신 스푼은 시계 방향으로 수신 스푼은 시계 반대 방향으로 감기게 됩니다. 더 자세한 정보는 본 설명서 [필름 감기 방식] 부분을 참고하세요.

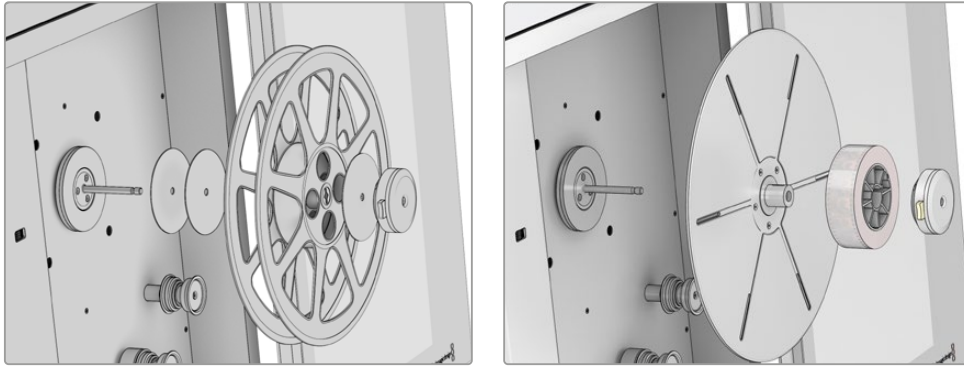
이 단계에서는 사용하는 필름 유형과 크기에 맞게 설정되어 있는지 확인하는 것이 좋습니다. DaVinci Resolve의 'Film Scanner' 패널에서 적절한 필름 유형 및 게이지뿐만 아니라 8mm/16mm/35mm 및 다양한 필름 퍼포레이션 레이아웃을 선택할 수 있습니다.

수신 스푼 장착하기

스캐너와 함께 제공되는 75mm 스푼 코어와 코어 클램프를 수신 스푼에 밀어서 넣으세요. 코어 클램프 옆면에 있는 버튼 부분을 누른 채 스푼 중심축에 밀어 넣은 뒤, 누르고 있던 버튼에서 손을 떼고 딸깍 소리가 날 때까지 끝까지 밀어 넣으세요.

필름 장착하기

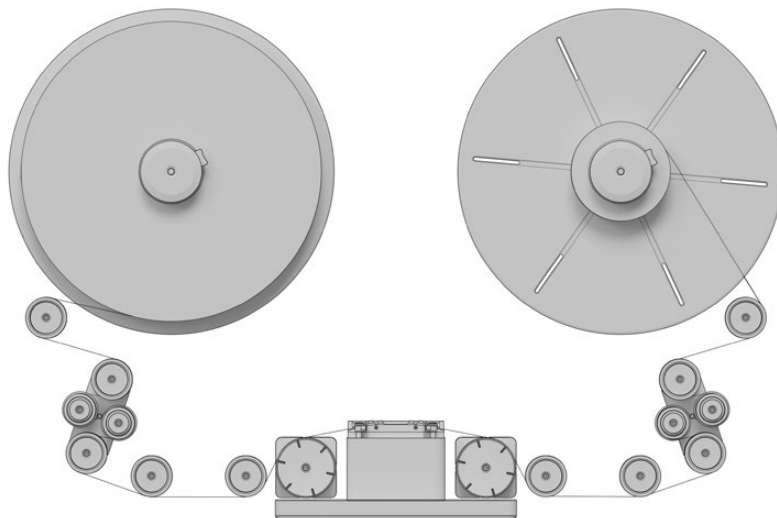
필름릴 또는 코어를 송신 스푼 중심축에 끼우고 위의 3번 단계를 반복하세요. 사용하는 필름이 코어인지 릴인지에 따라, 그리고 35mm/16mm/8mm 유형에 따라 필름 장착 과정이 달라집니다. 예를 들어, 필름 코어를 장착할 시에는 함께 포함된 받침판을 끼워야 하는 반면, 필름릴을 사용할 경우에는 스페이서만 있으면 됩니다.



위의 예시는 각각 35mm 필름릴 및 코어를 사용한 경우를 보여줍니다. 필름릴을 장착할 때는 받침판이 필요 없으므로 함께 포함된 스페이서만 사용하면 됩니다. 코어에 필름을 로딩할 경우, 스캐너와 함께 제공된 받침판을 사용해야 합니다.

필름 연결하기

필름의 맨 앞부분 몇십 센티미터 정도를 다음 설명에 따라 스캐너 롤러에 천천히 끼우세요.



스캐너에 기본 설정되어 있는 B/A 필름 감기 방식에서는 송신 스푼 아래에서 시작하여 수신 스푼 위로 필름을 장착합니다

필름 장력 조절하기

수신 스펀에 필름을 완전히 장착하려면 스펀에 있는 작은 홈에 필름 끝부분을 넣고 스펀을 손으로 천천히 돌려 필름이 제대로 장착되도록 하세요.

필름을 구부려 홈에 끼우고 싶지 않은 경우, 필름의 마찰을 이용하여 필름이 스펀에 장착되도록 할 수도 있습니다. 접착력이 약한 테이프를 사용해도 됩니다.

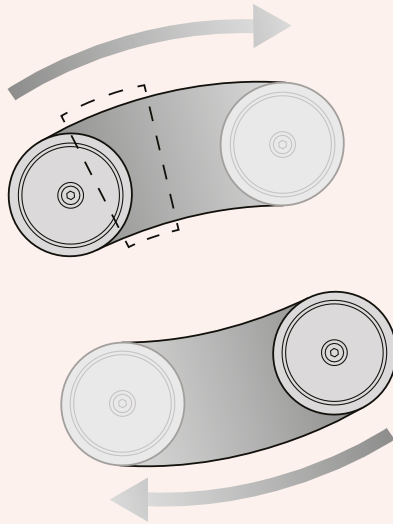
스캐너의 LOAD 버튼을 누르거나 수동으로 송신/수신 스펀을 동시에 돌려 필름의 장력을 조절하세요.

수동으로 필름 장력 조절하기

수동으로 필름에 장력을 가할 경우, 아래 그림과 같이 각 스펀 하단의 컴플라이언스 암이 움직이는 것을 확인할 수 있습니다. 컴플라이언스 암이 1/3 정도 움직인 경우, 스펀을 모두 잡고 1~2초 정도 기다리세요. 그리고 나면 스캐너가 수신 스펀에 조여진 필름 장력을 감지합니다. 이후 장력 조절 기능이 자동 실행되어 느슨해진 필름을 조정합니다.

필름을 수동 또는 자동으로 로딩하는 중에 문제가 발생할 경우, LOAD 버튼을 다시 누르거나 송신 또는 수신 스펀을 꼭 잡아 로딩 작업을 언제든지 취소할 수 있습니다.

스캐너에서 각각의 동작을 감지해 필름 로딩을 중단합니다.



필름의 장력을 수동으로 조정하는 경우, 컴플라이언스 암이 절반 조금 안되게 움직여 최적의 지점에 다다를 수 있을 정도의 장력을 가하세요. 이후 스캐너에서 느슨해진 나머지 필름을 자동으로 조정합니다.

장착된 필름 확인하기

스캐너에서 재생 버튼을 누르거나, DaVinci Resolve의 'Film Scanner' 패널의 'Play' 버튼을 클릭하여 필름이 제대로 장착되었는지 확인하세요. 필름 영상이 뷰어 또는 연결된 HDMI 모니터에 나타난다면, 이는 스캐너가 제대로 작동하고 있다는 것을 의미합니다.

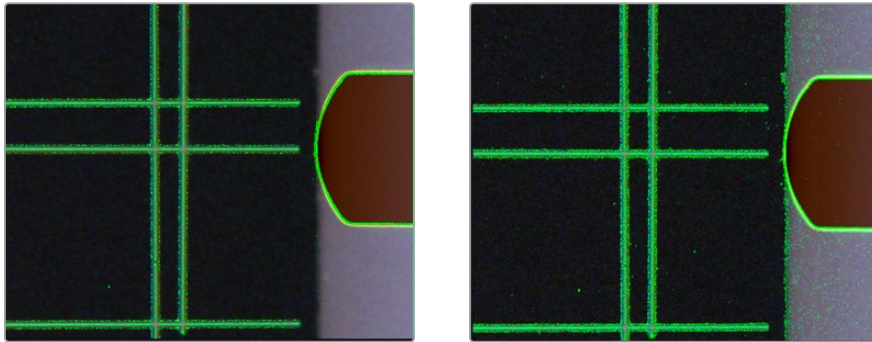
사용 중인 필름 감기 방식에 따라 영상이 가로 또는 세로로 뒤집힐 수 있습니다. 적절한 필름 유형을 선택하여 이러한 현상을 해결할 수 있습니다. 예를 들어, 음화 필름의 경우, 'Negative' 설정을 선택하기 전까지 영상이 좌/우로 뒤집혀 나타날 수 있습니다. 필름 유형 선택으로도 문제가 해결되지 않을 경우, 다른 필름 감기 방식을 사용해 필름을 다시 로딩해야 할 수도 있습니다.

Cintel Scanner G3 HDR+에서 스캐닝된 필름의 상태를 검사하려면, 정지 또는 재생 버튼을 2 초간 길게 누르세요. 그러면 '인스펙트 모드'가 활성화되어 필름의 광원 강도가 줄어들어 필름의 결점, 먼지, 스크래치 등을 확인할 수 있습니다. 이를 통해 필름을 제대로 확인하여 필름 릴을 청소하거나 수정할 수 있습니다.

초점

카메라 렌즈의 초점을 맞추는 것과 마찬가지로 스캐너 센서에 투사되는 필름 이미지의 초점을 맞춰야 합니다. 초점 다이얼은 스캐너 중심 기둥 부분에 배치되어 있습니다. 가장 정확한 초점을 맞출 수 있는 방법은 DaVinci Resolve의 'Film Scanner' 패널에서 'Focus Assist' 기능을 사용하는 것입니다. Blackmagic 카메라의 포커스 피킹 기능과 비슷한 포커스 어시스트는 영상 속 선명한 부분 주변에 초록색 테두리를 보여주는 기능입니다. 이 기능을 통해 초록색 하이라이트가 가장 강하게 나타날 때까지 포커스를 쉽게 조절할 수 있습니다.

DaVinci Resolve의 'Film Scanner' 패널에서 'Focus Assist' 확인란을 선택해 이 기능을 켜 다음, Cintel의 HDMI 출력 또는 'Film Scanner' 패널의 뷰어를 확인하면서 포커스 다이얼을 조절하세요. 필름에 있는 그레인이 초점을 확인할 수 있는 가장 완벽한 표시장치입니다. 필름의 그레인이 가장 강한 세기의 초록 테두리를 보이면 이미지에 완벽한 초점이 맞춰졌음을 의미합니다.



필름 그레인은 포커스 어시스트 기능을 사용해 정확한 초점을 설정할 수 있는 완벽한 방법입니다. 위 예시에서 왼쪽은 초점이 맞지 않은 모습이며 오른쪽은 초점이 제대로 맞은 모습입니다. 포커스 어시스트 기능은 그레인 하이라이트를 통해 확인할 수 있으며 퍼포레이션 안쪽 표면에 가장 선명하게 나타납니다.

네거티브 필름의 경우 일반적으로 대부분의 그레인 디테일이 선명하므로 음화 필름 유형을 사용할 때 포커스 어시스트 기능이 최고의 성능을 발휘합니다.

포커스 어시스트 기능을 최대한 활용하려면 뷰어를 풀 해상도로 설정하세요. 뷰어 우측 상단에서 옵션 설정을 간단히 클릭한 뒤, 메뉴에서 'Full Resolution Preview'를 선택하세요.

풀 해상도 프리뷰는 선택을 해제할 때까지 유지된다는 사실을 유념하세요. 이 설정은 GPU에 많은 부담을 주기 때문에 뷰어 성능에도 영향을 끼칩니다. 예를 들어, 프레임이 약간 지연될 경우, 풀 해상도를 사용해 포커스를 확인할 수 있지만 확인 후에는 더 나은 성능을 위해 해당 설정을 해제하세요.

스캐너 문 닫기

최고 품질의 스캐닝 기능을 위해 스캐너의 미닫이 문을 항상 닫아놓는 것이 좋습니다. 두 개의 문이 만나면 천천히 닫히도록 제작되어 있어 양 문을 가운데 방향으로 스프링 장치가 움직일 때까지 닫습니다. 문이 닫히면 필름 게이트에 빛이 비추는 것을 막을 수 있습니다.

스캐너에 고품질 광원이 탑재되어 있어 지나치게 밝은 조명을 사용하는 작업 공간을 제외한 대부분의 경우에 조명으로 인한 문제를 해결할 수 있습니다. 필름은 빛에 민감하기 때문에 천정의 조명이 반사될 경우, 화면에 얼룩이 발생할 수 있습니다. 스캐닝 중에는 스캐너 문을 닫아 이런 문제를 미연에 방지할 수 있습니다.

필름 장착과 장력 조절, 이미지 초점을 모두 완료하고 스캐너 문도 닫았으므로 이제 캡처를 시작할 수 있습니다.

DaVinci Resolve 설명서의 Cintel 부분을 참고하여 광원 보정 및 안정화 기능 설정, 이미지 캡처를 위한 캡처 팔레트 설정 등 자세한 내용을 확인하세요. DaVinci 사용 설명서는 광학 오디오를 동기화할 수 있는 방법과 스캐닝할 때 캡처 파일을 관리할 수 있는 방법 또한 보여줍니다.

더욱 자세한 스캐너 사양 정보를 포함한 스캐너의 유지 및 서비스와 관련 정보가 필요한 경우, 본 설명서 마지막 부분의 [서비스] 및 [사양] 부분을 확인하세요.

스캐너 사용하기

이 부분에서는 8mm 및 16mm 필름을 위한 각기 다른 필름 감기 방식과 8mm 및 16mm 게이트 키트 옵션을 설치 및 조절하는 방법, 그리고 Cintel Scanner의 트랜스포트 컨트롤 사용법에 관한 정보를 확인할 수 있습니다.

필름 감기 방식

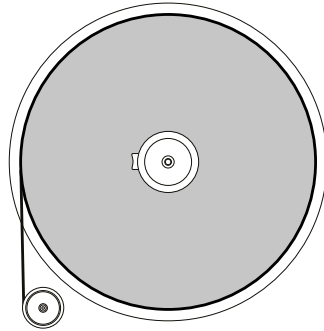
필름 감기 방식은 필름을 감고 푸는 위치와 관련 되어있을 뿐만 아니라 스캐너의 송신 스펴과 수신 스펴에서 필름이 감기는 방향을 결정합니다. 아래 그림과 같이 A 필름 감기 방식은 스펴 위에서 필름이 감기고/풀리며, B 필름 감기 방식은 스펴 아래에서 필름이 감기고/풀립니다. 이는 송신 스펴과 수신 스펴에 모두 해당됩니다.

스캐너의 필름 감기 방식은 B/A 필름 감기 방식으로 기본 설정되어 있어 송신 스펴 아래에서 필름이 풀리고 수신 스펴 위에서 필름이 감깁니다. 작업 중인 필름이 다른 방식으로 감긴 경우, 또 다른 조합의 A 및 B 필름 감기 방식을 사용할 수 있습니다. DaVinci Resolve의 'Film Scanner' 패널에서 'Supply Spool' 및 'Take Up Spool' 버튼을 통해 적절한 필름 감기 방식을 간단히 선택하세요.

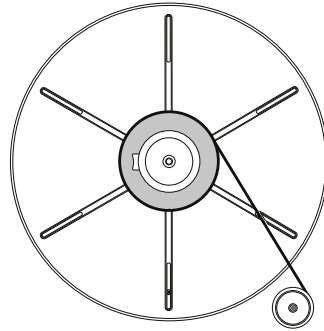
필름 감기 방식은 각 스펴의 회전 방향과 오디오 정보 위치, 퍼포레이션 위치를 결정하고 스킵드 플레이트를 지나는 감광제가 발라져 있는 필름 부분을 위로 또는 아래로 할 것인지 결정하기 때문에 작업 중인 프로젝트에 알맞은 조합을 사용하는 것이 중요합니다.

DaVinci Resolve의 'Film Scanner' 패널에서 적절한 필름 감기 방식을 선택하세요.

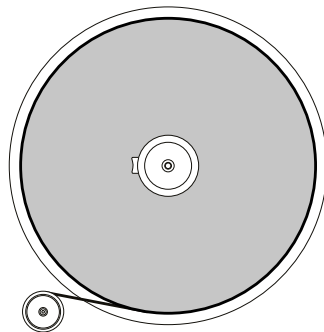
송신 스푼



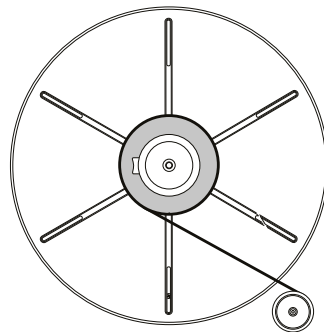
수신 스푼



A 필름 감기 방식



B 필름 감기 방식

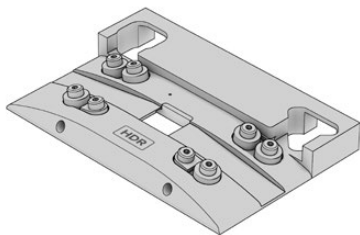


A 방식은 필름릴/스풀이 위에서 아래 방향으로 필름이 풀거나 감는 반면 B 방식은 아래서 필름을 풀거나 감는 것을 기억하면 A 방식과 B 방식의 차이를 쉽게 구분할 수 있습니다

16mm로 전환하기

Cintel Scanner의 16mm Gate Kit 옵션 제품에는 스캐너 설정 변경에 필요한 모든 부품이 들어있어 아주 간단하게 변경할 수 있습니다.

16mm 스킵드 플레이트



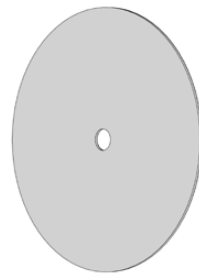
16mm 내측 스페이서



외측 스페이서



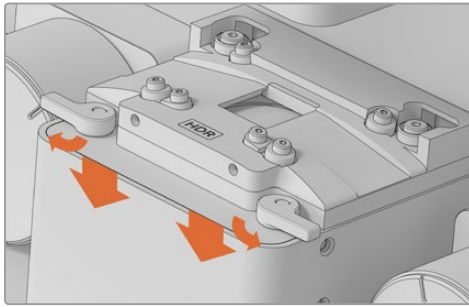
1mm 스페이서



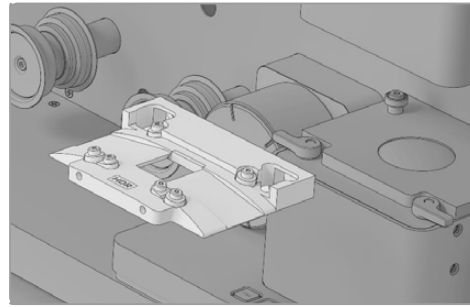
16mm 키트에는 1개의 16mm 스킵드 플레이트와 2개의 스페이서, 2개의 외측 스페이서, 4개의 1mm 스페이서가 포함되어 있습니다.

스키드 플레이트 교체하기

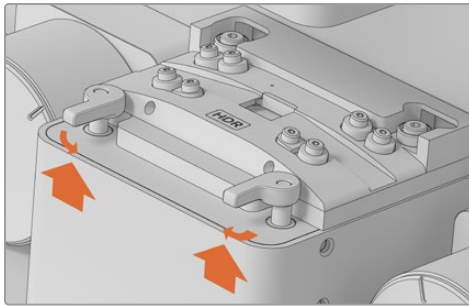
35mm 스킵드 플레이트를 16mm 스킵드 플레이트로 교체하려면 35mm 스킵드 플레이트 앞에 있는 고정 레버를 아래로 누르고 바깥쪽으로 돌리세요. 이제 35mm 스킵드 플레이트를 제거한 다음 16mm 플레이트로 교체하세요. 스킵드 플레이트를 장착할 시 고정 레버를 끝까지 올린 다음 안쪽 방향으로 돌려야만 스킵드 플레이트가 제대로 장착됩니다.



스키드 플레이트 분리 시 고정 레버를 아래로 누르고 바깥쪽으로 돌려야 합니다



35mm 스키드 플레이트를 제거하여 16mm 스키드 플레이트를 끼우세요



스키드 플레이트를 고정시키려면 고정 레버를 끝까지 올린 다음 안쪽 방향으로 돌려세요

16mm 내측 스페이스 장착하기

고무 재질의 16mm 내측 스페이서를 송신 스펴과 수신 스펴 표면에 끼우세요.

고무 스페이서의 홈이 있는 부분이 안쪽으로 향하게 장착한 다음, 받침판과 스펴/릴을 끼우세요.

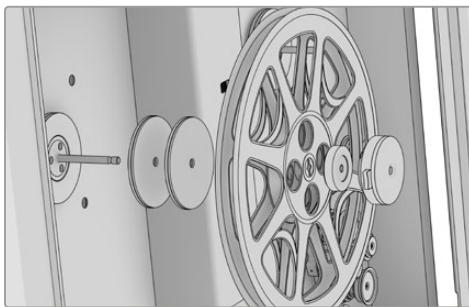
추가 스페이서(옵션 사항)

16mm Gate Kit에는 필름 릴을 장착할 때 사용하기 위한 1mm 고무 스페이서가 추가로 들어 있습니다.

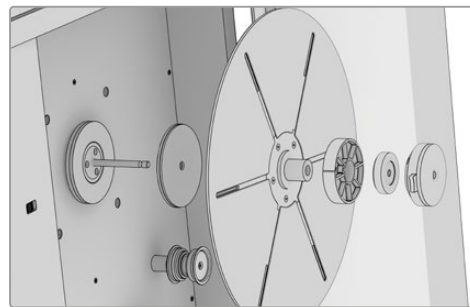
스캐너 롤러로 필름 위치 조절이 필요할 시에 이 스페이서를 추가로 사용할 수 있습니다.

필름 장착하기

송신 스펴에 16mm 코어 또는 릴을 장착하고 받침대와 코어를 수신 스펴에 장착한 뒤, 외측 스페이서를 설치하여 스펴을 고정시키세요. 이 스페이서 안쪽 끝에는 코어 또는 릴을 고정하기 위한 고정홈과 고무링이 모두 있습니다. 스페이서가 제대로 고정되면 원래 하던 대로 스펴을 고정시킵니다.



스폴 중심축부터 바깥쪽 방향으로 2개의 16mm 내측 스페이서, 1개의 16mm 릴, 1개의 외측 스페이서, 1개의 코어 클램프를 장착하는 릴 마운팅 방식



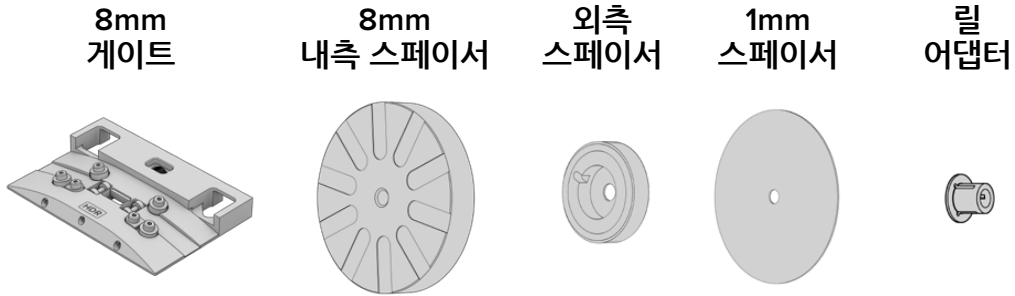
스폴 중심축부터 바깥쪽 방향으로 1개의 16mm 내측 스페이서, 1개의 받침판, 1개의 16mm 코어, 1개의 외측 스페이서, 1개의 코어 클램프를 장착하는 코어 마운팅 방식

필름 연결하기

35mm 필름을 감는 방법과 동일한 방법으로 감아주세요. 스캐너의 LOAD 버튼을 누르거나 16mm 필름의 장력을 수동으로 전환하기 전에, 필름이 드라이브 휠에 매끄럽게 잘 끼워져 있는지 반드시 확인하여 필름 손상을 예방하세요.

8mm로 전환하기

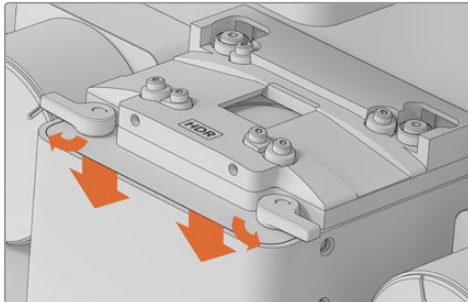
Cintel Scanner의 8mm Gate Kit 옵션 제품에는 스캐너 설정 변경에 필요한 모든 부품이 들어있어 아주 간단하게 변경할 수 있습니다.



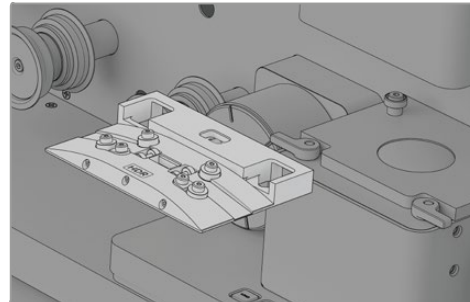
8mm 키트에는 1개의 8mm 게이트와 2개의 8mm 내측 스페이서, 2개의 외측 스페이서, 4개의 1mm 스페이서, 2개의 8mm/슈퍼 8mm 릴 어댑터가 포함되어 있습니다.

스키드 플레이트를 8mm 게이트로 교체하기

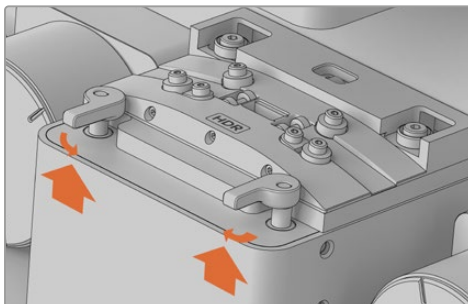
스키드 플레이트를 8mm 게이트로 교체하려면, 스키드 플레이트 앞에 있는 고정 레버를 아래로 누르고 바깥쪽으로 돌리세요. 이제 스키드 플레이트를 제거한 다음 8mm 게이트로 교체하세요. 게이트 장착 시 고정 레버를 끝까지 올린 다음 안쪽 방향으로 돌려야만 게이트가 제대로 장착됩니다.



스키드 플레이트 분리 시 고정 레버를 아래로 누르고 바깥쪽으로 돌려야 합니다



35mm 스키드 플레이트를 제거한 다음 8mm 게이트를 끼우세요



게이트를 고정시키려면 고정 레버를 끝까지 올린 다음 안쪽 방향으로 돌려주세요

8mm 내측 스페이스 장착하기

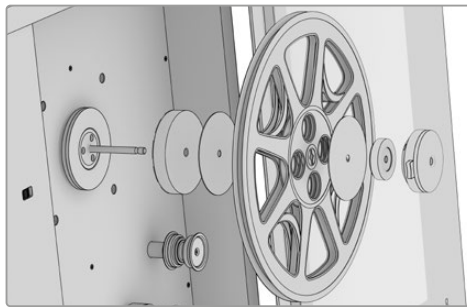
금속 재질의 8mm 내측 스페이서를 송신 스펴과 수신 스펴 표면에 끼우세요. 고무 스펴이서의 홈이 있는 부분이 안쪽으로 향하게 장착한 다음 릴을 끼우세요.

추가 스펴이서(옵션 사항)

8mm 게이트 키트에는 다른 유형의 릴 장착 시 필요한 1mm 고무 스펴이서가 추가로 들어 있습니다. 스캐너 롤러로 필름 릴의 위치를 조절해야 할 경우, 릴 양옆에 있는 스펴이서를 사용할 수 있습니다.

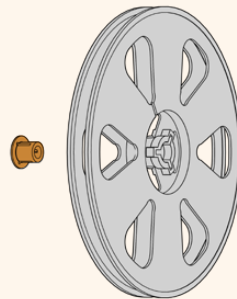
필름 장착하기

송신 스펴에 8mm 릴을 장착하고 빈 필름 릴을 수신 스펴에 장착한 뒤, 외측 16mm 스펴이서를 설치하여 스펴을 고정시키세요. 장착을 마치고 나면 평소대로 릴을 고정하세요.



스플 중심축부터 바깥쪽 방향으로 1개의 8mm 스펴이서, 1개의 1mm 스펴이서, 1개의 8mm 릴, 1개의 1mm 스펴이서, 1개의 외측 스펴이서, 1개의 코어 클램프를 장착하는 릴 마운팅 방식

정보 슈퍼 8mm 필름을 로딩할 경우, 스캐너와 함께 제공되는 슈퍼 8mm 어댑터를 각 릴에 장착하세요. 어댑터를 사용해야 릴이 스펴에 제대로 장착됩니다.

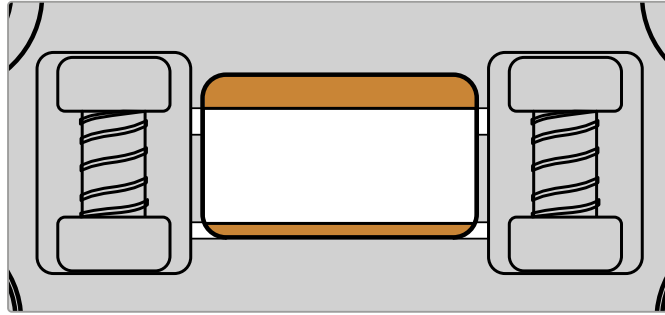


필름 연결하기

35mm 필름을 감는 방법과 동일한 방법으로 감아주세요. 스캐너의 LOAD 버튼을 누르거나 8mm 필름의 장력을 수동으로 전환하기 전에, 필름이 드라이브 휠에 매끄럽게 잘 끼워져 있는지 반드시 확인하여 필름 손상을 예방하세요.

8mm 필름 게이지 전환하기

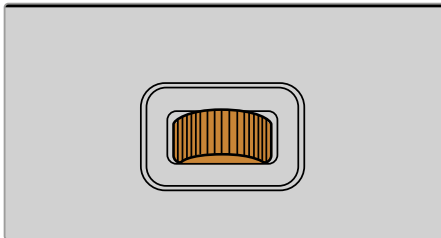
8mm 게이트 옵션은 조절 가능한 조리개 셔터를 제공해 표준 8mm, 슈퍼 8mm, 맥스 8mm 필름으로 전환할 수 있습니다. 조리개 셔터를 필름의 비활성화된 이미지 영역으로 조절하면 필름 가장자리에 나타나는 번짐 현상을 줄일 수 있으며, 이미지 안정화 트래킹 영역을 최적화하는 데 도움이 됩니다.



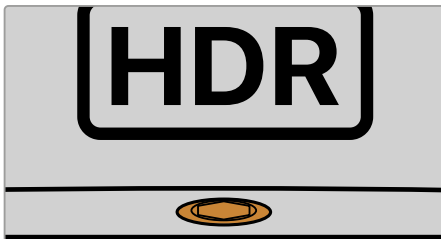
조절 가능한 조리개 셔터를 탑재한 8mm 게이트

조절의 편의를 위해 게이트 상단에 각 필름 게이지 정렬을 위한 흰색의 레퍼런스 라인이 표시되어 있습니다. 필름이 수축되어 있거나 카메라 조리개값이 다를 수 있기 때문에 이 레퍼런스 라인은 가이드 용도로만 사용하고, 최종 세부 조절은 필름 샘플을 로딩하고 작업 현장의 HDMI 디스플레이나 DaVinci Resolve 프리뷰를 통해 모니터링하는 방식으로 진행합니다.

조리개 셔터 조절하기

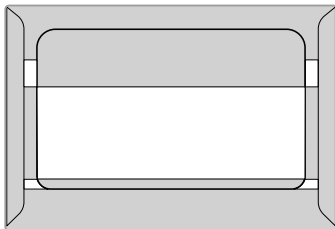


게이트 뒤쪽의 썸 휠을 사용해 상단 퍼포레이션쪽 셔터를 조절하세요. 이를 통해 표준 8mm와 슈퍼 8mm 필름 간을 전환할 수 있습니다.

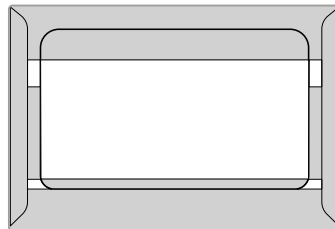


2mm 육각 렌치를 사용해 게이트 전면부의 가운데 나사를 돌려 하단 중앙의 셔터를 조절하세요. 이 셔터를 조절해 슈퍼 8mm 및 맥스 8mm 필름 간을 전환할 수 있습니다.

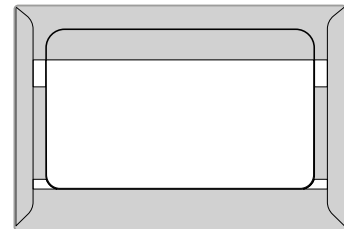
아래 그림은 표준 8mm/슈퍼 8mm/맥스 8mm 필름에 맞게 조절된 조리개 셔터의 모습을 보여줍니다.



표준 8mm



슈퍼 8mm



맥스 8mm

조리개 셔터를 조절하고 나면 필름 샘플을 로딩해 조리개 셔터와 필름의 비활성화된 이미지 영역을 정렬해 최종 조절 작업을 수행할 수 있습니다.



조리개 셔터가 너무 넓게 설정되어 이미지 양옆에 밝은 부분이 생겨나는 잘못된 셋업



조리개 셔터가 너무 좁게 설정되어 이미지 양옆에 어두운 부분이 생겨나는 잘못된 셋업

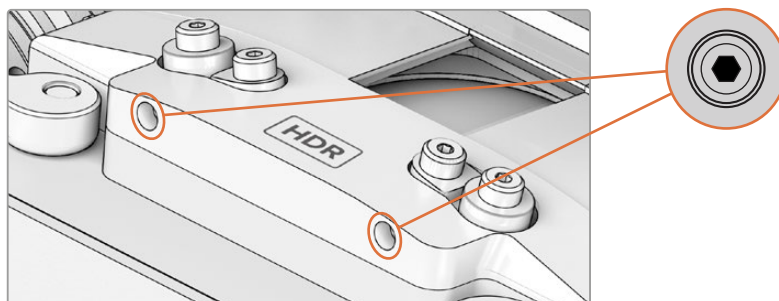


조리개 셔터가 필름의 비활성화된 이미지 영역에 맞춰 제대로 조정된 올바른 셋업

필름 경로 장력 나사

스키드 플레이트에 4개의 베어링은 필름이 지정된 경로를 따라 이동하도록 하며 수평 떨림을 최소화하는데 도움이 됩니다. 일부 베어링이 필름과 접촉하지 않을 경우, 베어링의 장력을 조절할 수 있습니다. 이 경우, 2.0mm 육각 드라이버를 사용해 스키드 플레이트 또는 8mm 게이트 앞쪽에 있는 여러 M4 장력 나사를 약간 조이세요.

장력이 너무 많이 가해질 경우, 영상 위치가 약간 벗어나 스캔에 영향을 끼칠 수 있다는 점을 유념하시기 바랍니다. 이런 현상이 발생할 경우, 스캔 영상이 원래대로 돌아올 때까지 장력을 반대로 조정하세요.



필름 경로 장력 나사는 8mm 게이트와 16mm 및 35mm 스키드 플레이트 전면부에 배치되어 있습니다.

재생 제어 버튼

스캐너와 DaVinci Resolve에서 다음과 같은 재생 제어 버튼들을 사용할 수 있습니다.



스캐너에는 감기, 풀기, 스캔 영상 미리보기를 위한 제어장치가 내장되어 있습니다



LOAD

LOAD 버튼을 누르면 [필름 연결하기] 부분에 설명된 것처럼 송신 스펴과 수신 스펴에 감긴 필름에 장력이 더해집니다.

필름 장력이 알맞게 주어졌을 때 LOAD 버튼을 누르면 컴플라이언스 암이 반대로 움직이면서 필름이 느슨하게 풀립니다.



되감기

되감기 버튼을 누르면 필름이 송신 스펴로 되감깁니다. 이 버튼을 누르면 필름이 빠르게 되감겨 75mm 스펴의 최대치에 도달하면 자동으로 멈춥니다. 이 버튼을 다시 눌러 천천히 송신 스펴에 나머지 필름을 끝까지 감은 뒤 스캐너에서 필름을 꺼냅니다.

50mm 스펴을 사용할 경우, 75mm 스펴의 최대치에서 스캐너가 멈추게 됩니다. 이때 되감기 버튼을 다시 누르면 75mm 스펴의 최대치 지점까지 필름이 천천히 감깁니다. 이 지점에서 되감기 할 필름이 스캐너에 감지되면 바로 되감기가 시작되어 50mm 최대치에 도달할 때까지 필름이 감긴 뒤, 자동으로 멈춥니다. 되감기 버튼을 세 번째 누르면 50mm 스펴을 완전히 되감기 할 수 있습니다. 8mm 필름 릴의 경우, 최대치는 각각 63mm 또는 32mm 필름 릴 코어 지름으로 설계되어 있습니다.

100mm 스펴이 흔하지 않기 때문에 본 스캐너는 100mm 최대치에 도달하기 전에 멈추도록 설계되어 있지 않습니다. 100mm 스펴을 사용하여 송신 스펴에 필름을 로딩할 시 주의하세요. 고정홀을 사용하여 되감기를 실행하는 것이 좋습니다. 만약 고정홀에 끼우기 위해 필름을 구부리고 싶지 않을 경우에는 필름의 마찰을 사용하여 장착할 수도 있습니다. 100mm 스펴을 사용할 시에는 필름이 제대로 감길 수 있도록 접착 테이프 사용을 피해 주세요.



뒤로 가기

뒤로 가기 버튼을 누르면 필름이 한 프레임씩 뒤로 갑니다. 뒤로 가기 버튼을 오래 누르고 있으면 필름을 천천히 뒤로 재생할 수 있습니다.



정지

정지 버튼은 재생과 빨리감기, 되감기를 멈춥니다.



재생

필름을 재생합니다. 기본 설정은 초당 24 프레임입니다. DaVinci Resolve의 'Film Scanner' 패널에서 프레임 재생 속도와 역방향 재생을 설정할 수 있습니다.



앞으로 가기

앞으로 가기 버튼을 누르면 필름이 한 프레임씩 앞으로 감깁니다. 이 버튼을 길게 누르면 필름이 느린 속도로 재생할 수 있습니다.



빨리 감기

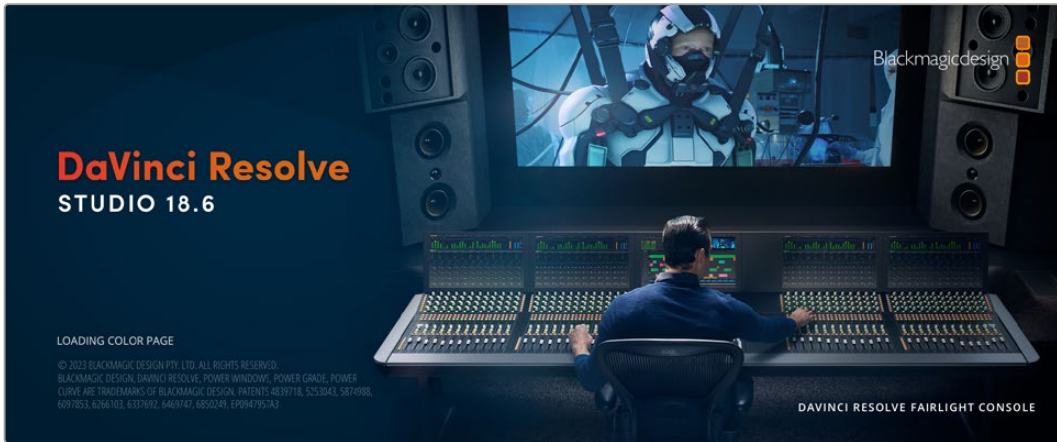
빨리 감기 버튼은 수신 스펴의 필름을 빠르게 감습니다. 빨리 감기의 정지 시점은 50/75/100mm 스펴에서의 되감기 시 정지 시점과 동일합니다.

스캐너의 뒤로 가기 버튼 또는 앞으로 가기 버튼을 길게 누르면 스캐너에서 초당 4 프레임의 속도로 영상을 앞으로 또는 뒤로 재생할 수 있습니다. DaVinci Resolve의 'Film Scanner' 패널에서 마우스로 해당 버튼을 클릭한 채로 유지하여 스캐너와 동일하게 제어할 수 있습니다.

대기 모드

스캐너가 사용되지 않을 시에는 광원 수명을 유지하기 위해 대기모드로 전환됩니다. Thunderbolt로 연결되어 있을 시에는 15분 뒤에, 소프트웨어가 연결되어 있지 않은 경우에는 1분 30초 뒤에 대기모드로 전환됩니다. 스캐너에 초록불이 깜빡이면 대기모드로 들어갔음을 의미합니다.

DaVinci Resolve를 사용하여 스캔 영상 캡처하기



이 부분에서는 DaVinci Resolve의 'Film Scanner' 패널에서 스캐너를 제어할 수 있는 설정 및 기능의 사용법이 설명되어 있습니다. 예를 들어, 스캐너 보정 및 광원 강도 조절, 색온도 조절, 이미지 안정화 설정 등이 있습니다. 오래된 필름의 경우, Cintel에서 필름을 부드럽게 다루도록 설정할 수 있습니다.

정보 DaVinci Resolve에서 설정한 모든 스캐너 설정은 사용자의 현재 프로젝트에 저장됩니다.

Cintel Scanner 인터페이스

DaVinci Resolve 화면 상단에 있는 UI 도구바에서 'Capture' 버튼을 클릭하여 미디어 페이지에서 Cintel Scanner를 제어할 수 있도록 하세요. DaVinci Resolve의 'Film Scanner' 패널을 열어 원하는 설정 및 보정을 조절하고 로깅 옵션을 선택하거나, 현재 스캐너에 감겨있는 필름 롤의 선택 부분을 스캔하도록 선택할 수 있습니다. Cintel Scanner의 컨트롤 인터페이스를 더 큰 화면에서 보려면, UI 도구바 오른쪽에 있는 화면 확대 아이콘을 클릭한 다음 'Metadata' 패널을 끄세요.



미디어 페이지의 Cintel Scanner 컨트롤

트랜스포트 컨트롤

뷰어 밑에 있는 트랜스포트 컨트롤은 재생 모드에서 사용하는 컨트롤과 유사하며, 이제 Cintel Scanner를 제어하는 데 사용할 수 있습니다. 추가된 컨트롤은 한번 클릭할 때마다 하나의 프레임을 앞으로 또는 뒤로 이동합니다.

인/아웃 컨트롤

Cintel Scanner 모드에서 트랜스포트 컨트롤 우측에 있는 'Mark In'/'Mark Out' 버튼을 사용해 필름 롤에서 캡처하려는 범위를 결정할 수 있습니다.

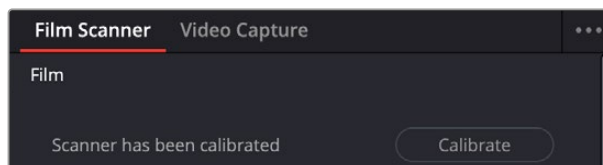
다음 설정은 Cintel Scanner가 필름으로부터 미디어 풀로 클립을 스캔하는 모드일 때 미디어 페이지 뷰어 우측에 나타나는 설정들입니다.

필름 컨트롤

'Film' 컨트롤 섹션에서는 스캐너 렌즈를 보정하고 필름 유형을 선택할 수 있을 뿐 아니라 프레임 정렬/스캔 속도/스풀이 감기는 방향을 조정할 수 있으며, 릴 유형을 선택하고 포커스 어시스트 기능을 켜고 끌 수 있습니다.

보정

보정 기능은 스캐너 광학 렌즈를 보정하여 렌즈 반점 또는 제거되지 않는 먼지를 영상에서 없앨 수 있는 기능입니다. 이 설정이 필름에 묻은 먼지를 직접 제거하지는 않는다는 점을 참고하세요.



'Calibrate' 버튼으로 스캐너의 광학 렌즈에서 발생하는 먼지 및 미세한 영상 잡음을 제거할 수 있습니다.

새로운 필름을 스캔하기 전에 스프레이로 렌즈에 묻은 먼지를 직접 제거하는 것을 권장하지만, 시간이 지남에 따라 렌즈에 제거할 수 없는 흠집이 생길 수가 있습니다. 이런 경우에 이 'Calibrate' 버튼을 사용하면 스캔한 영상에 나타나는 이러한 영상 잡음을 제거할 수 있습니다.

스키드 플레이트를 제대로 설치 후 보정 기능을 사용하면 이미지 안정화 기능이 더욱 향상되어 최고 화질의 이미지를 얻을 수 있습니다.

또한 'Calibrate' 버튼은 작은 게이지 필름 유형을 지원하기 위해 스캐너에 장착된 게이트를 분석하고 캡처한 이미지를 데이터 기준에 맞게 조절합니다. 이를 위해 게이트를 교체할 때마다 보정 작업을 진행해야 하며, 최적의 성능을 위해 게이트에 필름이 없는 상태에서 게이트를 교체해야 합니다.

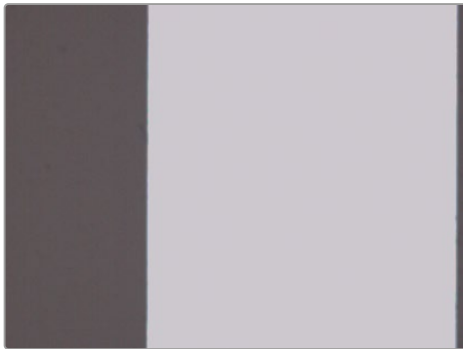
8mm 게이트 사용 중 조리개 셔터를 다른 유형의 8mm 필름 게이트로 전환하고자 할 경우, 위의 보정 작업을 반복해 이전 보정 작업의 '고스트 이미지' 현상이 나타나지 않도록 하세요.



표준 8mm 보정 작업이 적용된 슈퍼 8mm 필름의 잘못된 보정 예시



슈퍼 8mm 보정 작업이 적용된 표준 8mm 필름의 잘못된 보정 예시

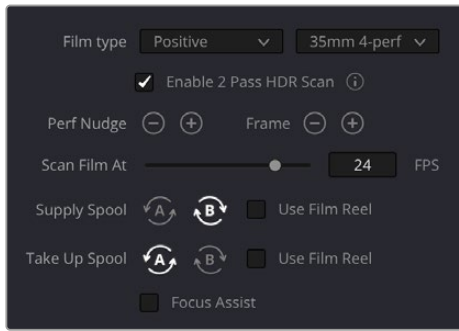


표준 8mm 필름에 올바른 보정 작업이 적용된 경우

Film Type

스캔하려는 필름 종류를 선택할 수 있습니다. 컬러 및 흑백 필름의 경우, 'Positive'/'Negative'/'Interpositive'/'Internegative' 옵션 중 하나를 선택할 수 있습니다. HDR 스캔 기능을 통해 모든 유형의 필름 스캔 품질을 향상시킬 수 있습니다. 35mm 2/3/4 퍼포레이션, 16mm, 슈퍼 18mm, 8mm 중에서 스캔하려는 필름의 유형을 선택하세요. 스캐너에서 필름이 35mm인지 16mm 또는 8mm인지 자동으로 감지됩니다. 8mm 필름 스캐닝의 경우, 슈퍼 8mm로 기본 설정되어 있습니다. 일반적인 8mm 필름을 스캐닝할 경우, 스캐너를 특정 필름 유형으로 수동 설정해야 합니다.

인터포지티브 및 인터네거티브 필름을 Cintel Scanner 및 Cintel Scanner G2에서 스캐닝할 경우, 필름의 농도가 높아 광원의 펄스 지속 시간을 약간 증가시켜야 합니다. 보통은 필름 스캔에 영향을 끼치지 않지만 12fps 이상에서는 해상도가 약간 감소될 수 있습니다. 해상도 변화를 감지할 경우, 스캐닝 속도를 12fps 이하로 줄이기만 하면 됩니다.



미디어 페이지의 Film Type 컨트롤 화면 모습

Enable 2 Pass HDR Scan

이 옵션은 높은 다이내믹 레인지 멀티 패스 캡처를 활성화합니다. 높은 다이내믹 레인지의 프레임의 경우, 'Auto Black' 또는 'Auto White' 실행이 중요한데, 이는 선택된 프레임의 표준 또는 높은 노출 정도를 결정하기 때문입니다.

Perf Nudge

스캐너 게이트의 조리개에 퍼포레이션의 위치를 맞추기 위한 미세한 조절에 사용합니다. [Command] 키와 [J] 키를 함께 누르면 숫자가 한 단계 올라가고 [L] 키를 누르면 한 단계 내려갑니다.

Frame

이 버튼을 활성화하려면 버튼을 누른 채로 유지하세요. 프레임을 변경하면 필름이 천천히 위/아래로 이동하며 누르고 있는 버튼을 떼면 필름 이동이 멈춥니다. 이 기능은 스캐너 센서에 필름 프레임 정렬 시 사용하기 유용한 기능입니다. 'Pef nudge' 버튼과 'Frame' 버튼을 사용하여 뷰어에 나타나는 필름 프레임을 정렬하세요. 이전 프레임의 아래 부분과 다음 프레임의 윗부분이 뷰어에 나타나며, 현재 뷰어에 나타나는 프레임은 중앙에 수직으로 나타납니다.

프레임 조절 시 뷰어에 나타나는 영상을 확대하지 않는 것이 중요합니다. 키보드의 [Command] 키와 왼쪽 화살표 키를 함께 누르면 프레임이 위로 올라가고, 오른쪽 화살표 키를 함께 누르면 프레임이 아래로 내려갑니다.

Scan Speed

일반 디스크 성능에서는 30fps로 스캔이 가능합니다. 하지만, 속도가 느린 하드 드라이브로 스캔할 경우, 작업 환경에 적합한 프레임 속도로 스캔 속도를 줄여도 드롭 프레임 현상이 발생하지 않습니다.

Supply Spool

왼쪽에 배치된 송신 스펴의 필름 감기는 방향을 설정합니다. 자동 인식 기능이 오동작을 방지해 주지만, 필름 롤이 감기는 방향을 기준으로 각 필름 릴의 감긴 방향을 수동으로 설정해 주어야 합니다.

Take Up Spool

오른쪽에 배치된 수신 스펴의 필름 감기는 방향을 설정합니다. 자동 인식 기능이 오동작을 방지해 주지만, 필름 롤이 감기는 방향을 기준으로 각 필름 릴의 감긴 방향을 수동으로 설정해 주어야 합니다.

Use Film Reel

작은 필름 릴은 큰 필름 스펴에 비해 필름 릴 무게와 관성이 다르기 때문에 필름 이동 시스템에 영향을 줄 수 있습니다. 이 확인란을 선택하면 크기가 작은 필름 릴의 안정성이 더욱 향상됩니다.

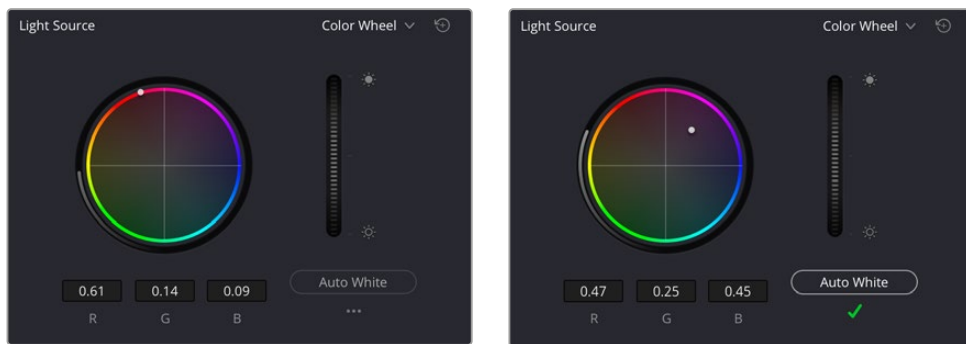
Focus Assist

스캐너의 HDMI 모니터 출력과 DaVinci Resolve의 'Film Scanner' 패널 안에 있는 뷰어에서 루미넌스를 강조하는 기능으로 최적의 포커스를 쉽게 조절하기 위한 기능입니다.

광원 조절하기

이곳의 컨트롤로 Cintel Scanner의 광원을 조절하여 최적의 최소 농도(Dmin)를 보정할 수 있습니다. 최소 농도는 스캔 영상의 최소값과 색온도를 말합니다. 광원 설정을 올바르게 조절하면 최고 품질의 스캐닝 결과물을 얻을 수 있으며, 스캐닝 시 이미지 데이터가 클리핑되지 않습니다. 필름 변경 시 광원 설정을 확인해 캡처 품질을 확실히 하는 것이 좋습니다.

DaVinci Resolve에 내장된 소프트웨어 스코프를 사용하여 광원을 최적의 수준으로 설정하세요. 미디어 페이지에서 'Workspace' > 'Video Scopes' > 'On' 순서로 클릭하면 스코프가 열립니다.



보정되지 않은 광원(좌)과 보정 기능이 성공적으로 적용된 광원(우)의 상태

광원 마스터휠

컬러휠 옆에 있는 세로 방향의 광원 마스터휠은 필름에 비추는 광원의 강도를 조절하기 위한 것으로, 모든 RGB 채널이 동시에 증가 또는 감소합니다. 전형적인 음화 필름에서 이 설정을 사용하면 필름 이미지의 가장 어두운 부분인 블랙 포인트가 조절됩니다. 음화 필름에서는 이 설정이 필름 이미지의 하이라이트 조절에 해당됩니다. 빛의 강도를 비디오 스코프의 히스토그램에서 보통 측정한 최소 농도값 '95'보다 약간 높게 조절합니다. 이 값은 Cineon 형식의 LOG 변환에서 하이라이트가 클리핑되는 것을 확실하게 방지합니다. 양화 필름에서는 신호가 클리핑되지 않도록 마스터휠만 조절하세요.

Auto Black 및 Auto White 버튼

현재 뷰어에 나타나는 프레임을 분석한 다음 프레임링 바 영역을 사용해 자동으로 네거티브(음화) 및 인터네거티브 필름의 블랙 포인트를 조정합니다. 프린트(양화) 및 인터포지티브 필름의 경우, 이미지 영역 내에서 가장 밝은 하이라이트를 사용해 화이트 포인트를 설정하기 때문에 프레임의 키 선택이 아주 중요합니다. 포지티브 필름 유형의 경우엔 최대치의 화이트 레벨을 위해 펀치홀 프레임을 사용하여 이어지는 모든 프레임을 이에 맞출 수 있습니다. 포지티브 필름 유형의 경우, 'Auto Black' 버튼이 'Auto White' 버튼으로 바뀝니다.

광원 상태 표시

'Auto' 버튼 아래에 나타나는 표시 정보를 통해 'Auto Black' 또는 'Auto White' 광원 보정이 성공적으로 이루어졌는지, 혹은 해결할 문제가 있는지 확인할 수 있습니다. 또한 LED 광원을 재보정해 가장 뛰어난 품질의 스캐닝 결과를 얻을 수 있도록 돕는 유용한 정보도 제공합니다.

	<p>광원 재보정 작업이 실행되지 않았습니다.</p>
	<p>광원 재보정 작업이 성공적으로 실행되었습니다.</p>
	<p>광원 재보정 작업에 실패했습니다. 올바른 필름 유형이 선택되었는지, 광원 경로가 차단되지 않았는지, 적합한 레퍼런스 프레임이 선택되었는지 확인하세요. 필요할 경우, 필름을 돌려보고 다른 레퍼런스 프레임을 선택하세요.</p>
	<p>광원 보정을 통해 색상 균형이 성공적으로 맞춰졌지만, 원하는 레벨에는 도달하지 못했습니다. 이런 경우엔 색상 균형이 맞춰진 스캐닝 결과물을 수락한 다음 DaVinci Resolve의 컬러 페이지에서 이미지를 최적화하거나 다른 레퍼런스 프레임을 선택해 훨씬 넓은 다이내믹 레인지로 보정할 수 있습니다.</p>

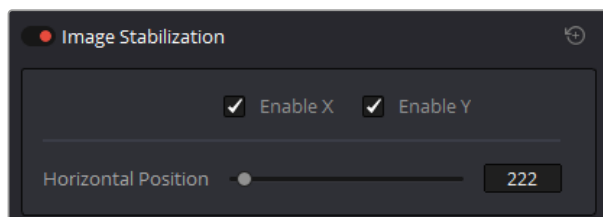
RGB 컨트롤

색균형 컨트롤을 통해 세 개의 컬러 채널을 조절하여 필름에 비추는 광원의 색온도를 다양하게 설정할 수 있습니다. R/G/B 설정값은 컬러휠 아래에 나타납니다. 다른 옵션으로는 'Light Source' 제목줄 오른쪽에 있는 모드를 'Color Bars'로 설정하면 세로 모양의 빨강, 초록, 파랑의 컬러 채널 슬라이더로 컨트롤이 바뀝니다.

참고 롤을 변경할 때 광원 보정 정보가 저장됩니다. 이를 통해 하나의 광원 보정 정보를 사용하여 여러 개의 롤을 SDR 및 HDR 모드로 스캐닝할 수 있습니다. 새로운 보정 작업을 진행하기 전까지 혹은 Cintel Scanner 전원을 껐다 켜 때까지 최근 광원 보정 정보가 저장됩니다.

이미지 안정화

'Image Stabilization' 컨트롤은 이미지 안정화 기능을 활성화 또는 비활성화시킬 뿐만 아니라 이미지 안정화 기능을 사용하여 수직 및 방향으로 필름이 떨리는 현상을 제거합니다.



미디어 페이지의 이미지 안정화 컨트롤

Image Stabilization 활성화/비활성화 컨트롤

'Image Stabilization' 제목줄 옆에 있는 작은 검은 점은 하드웨어 스캐너 기반의 이미지 안정화 기능을 활성화 또는 비활성화 시킵니다. 하드웨어 이미지 안정화 기능은 일반적으로 퍼포레이션 품질이 좋을 경우에 사용하기 바람직하므로, 퍼포레이션 상태가 좋지 않을 경우에는 이 기능 끄고 DaVinci Resolve의 이미지 안정화 기능을 사용하는 것이 좋습니다.

이 기능을 활성화하면 가로축 X의 감지 오버레이가 뷰어에 나타나면서 이미지 안정화에 기준이 되는 필름 퍼포레이션 가장자리가 하이라이트되어 나타납니다. 녹화가 시작되면 이 오버레이는 자동으로 사라집니다. 이미지 안정화 기능은 기본 설정으로 활성화되어 있습니다.

'Enable X' / 'Enable Y' 확인란

'Enable X'와 'Enable Y' 확인란을 선택하여 수평/수직 떨림을 해결하기 위한 하드웨어 이미지 안정화 기능의 사용 여부를 선택할 수 있습니다. X/Y축을 모두 활성화했을 때 만족할 만한 결과를 얻지 못할 경우, 문제를 일으키는 한쪽 이미지 안정화 기능 축을 끄고 DaVinci Resolve의 소프트웨어 기반 안정화 도구를 활용하세요.

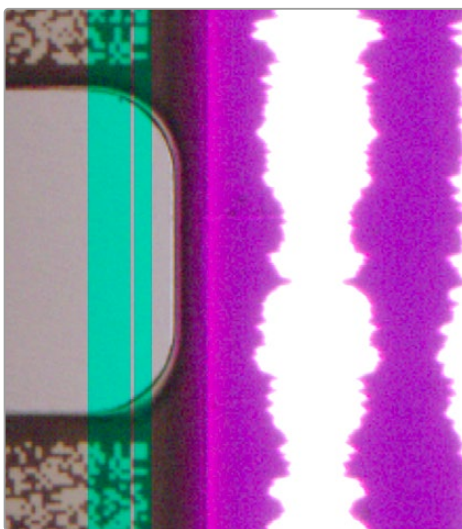
Horizontal Position 슬라이더

Cintel에서 자동으로 안정화 감지 오버레이를 가장 적절한 곳에 배치하여, 현재 로딩 중인 프레임에 나타나는 퍼포레이션 확인을 통해 최상의 안정화 기능 결과를 가져옵니다.

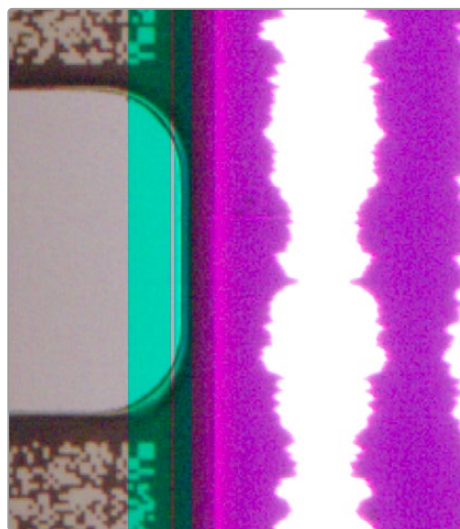
파란색 오버레이에 나타나는 얇고 투명한 라인을 볼 수 있습니다. 최상의 이미지 안정화 기능을 위해서는 이 라인이 필름 퍼포레이션 끝에 맞닿아야 합니다. 자동 위치 기능이 적절하지 않을 시에는 마우스로 뷰어에 있는 오버레이를 드래그하거나 슬라이더를 사용하여 오버레이를 적절한 위치에 수동으로 이동시키세요.

이미지 안정화 오버레이의 이상적인 위치는 아래 이미지에서처럼 퍼포레이션 끝 라인입니다. 오버레이 위치가 제대로 설정되면 가로축으로 떨리는 현상을 막아주는 하드웨어 이미지 안정화 기능이 활성화됩니다.

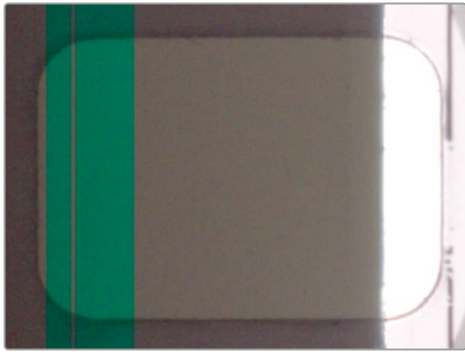
'Enable Y' 확인란을 선택하면 이미지 안정화 기능에서 필름이 수직으로 떨리는 현상을 자동으로 방지합니다. 추가 조절이 필요 없으며 수평 방향의 이미지 안정화 기능과 연동됩니다.



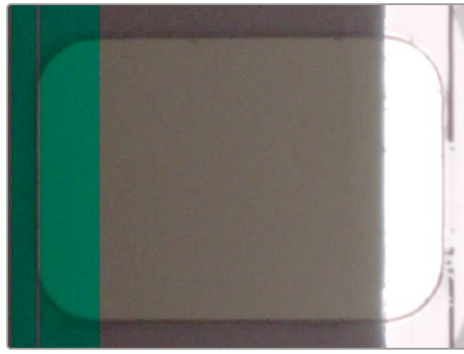
잘못된 35mm 셋업. 이미지 안정화 오버레이의 가로축 위치를 조정하세요. 오버레이가 퍼포레이션의 가장자리에 정렬되지 않았습니다.



올바른 35mm 셋업. 뷰어 속 퍼포레이션 위에 정확하게 배치된 하드웨어 이미지 안정화 컨트롤의 모습입니다. 이미지 안정화 오버레이의 투명 스트립이 퍼포레이션 끝에 맞닿아 있습니다.



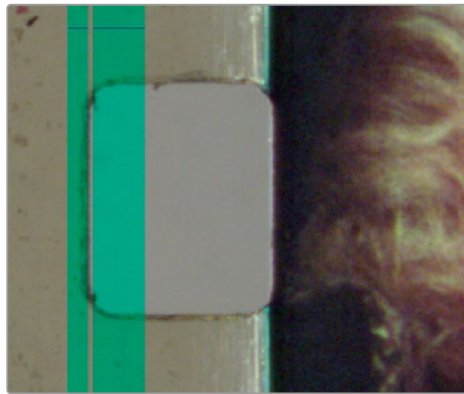
잘못된 16mm 셋업. 오버레이가 퍼포레이션의 가장자리에 정렬되지 않았습니다. 16mm HDR 스키드 플레이트를 설치하면 이미지 안정화 장치가 자동으로 반대편 퍼포레이션에 맞춰져 필름 이미지에 영향을 주지 않고 이미지의 수평 방향 안정성을 향상시킵니다. HDR 미지원 16mm 스키드 플레이트를 사용하는 경우, 35mm 스키드 플레이트와 동일한 방식으로 작용됩니다.



올바른 16mm 셋업. 안정화 오버레이를 위해 기본 정렬 위치가 이미지 콘텐츠에 영향을 받지 않는 퍼포레이션 왼쪽 가장자리로 설정됩니다. 이미지 안정화 오버레이의 투명 스트립이 퍼포레이션 끝에 제대로 맞닿아 있습니다.



잘못된 8mm 셋업. 오버레이가 퍼포레이션의 가장자리에 정렬되지 않았습니다.



올바른 8mm 셋업. 안정화 오버레이를 위해 기본 정렬 위치가 이미지 콘텐츠에 영향을 받지 않는 퍼포레이션 왼쪽 가장자리로 설정됩니다. 이미지 안정화 오버레이의 투명 스트립이 퍼포레이션 끝에 제대로 맞닿아 있습니다.

캡처를 진행하기 전에 이미지 안정화 기능 설정 결과를 자세히 확인하려면 뷰어를 풀 해상도로 설정한 다음 퍼포레이션 영역을 확대해 미세 조정하세요. 뷰어 우측 상단에 있는 옵션 설정을 간단히 클릭하고 메뉴에서 'Full Resolution Preview'를 선택한 다음 뷰어 좌측 상단에 있는 줌 스케일러를 클릭해 '100%'를 선택하세요. 이 설정은 이미지 안정화 기능에는 영향을 주지 않지만, 최적의 미리보기 화면을 이용하여 스캔 작업이 얼마나 잘 이루어지고 있는지 확인할 수 있습니다.

풀 해상도의 프리뷰 기능은 GPU에 많은 부담을 주기 때문에 프레임 지연 현상이 발생할 수도 있습니다. 최상의 성능을 경험하려면 이미지 안정화 기능의 결과를 확인한 후 풀 해상도 선택을 해제하세요. 오버레이의 위치는 프로젝트 설정에 저장되지만 클립 설정에는 저장되지 않기 때문에 여러 개의 필름을 사용하는 경우엔 개별적으로 위치를 조절해야 한다는 사실을 기억하세요.

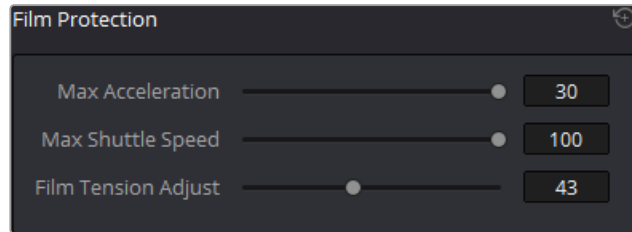
안정화 감지 오버레이를 해당 필름 유형의 기본 위치로 재설정하려면 안정화 패널에 있는 리셋 버튼을 누르세요.

Audio and Synchronization

'Audio and Synchronization' 팔레트에는 Cintel Audio and KeyCode Reader 옵션을 위한 설정이 포함되어 있습니다. 더 자세한 정보는 본 설명서의 [Audio and KeyCode Reader 옵션] 부분을 참고하세요.

필름 보호 기능

Film Protection 패널의 컨트롤은 Cintel Scanner에서 약해진 필름을 부드럽게 다루게 하는 기능입니다. 빠른 가속도와 셔터 속도는 아카이브 영상을 거칠게 다룰 수 있으므로 오래된 필름을 스캐닝할 경우에는 항상 가속도와 셔터 속도의 슬라이더를 모두 기본값보다 낮게 설정하는 것을 권장합니다.



오래된 아카이브 필름을 스캐닝 시에는 'Acceleration' 슬라이더와 'Shuttle Speed' 슬라이더를 낮게 설정하세요.

참고 'Film Tension Adjust' 슬라이더는 스프로킷이 장착된 Cintel Scanner를 사용하는 경우에 표시됩니다.

Max Acceleration

최대 초당 5-30fps의 속도 증감을 설정할 수 있습니다.

Max Shuttle Speed

35mm 필름의 경우, 필름 한 부분에서 다음 부분으로 넘어가기까지의 셔터 속도를 1~100fps로 변경할 수 있습니다. 16mm 필름은 1~200fps로 변경 가능합니다.

Film Tension Adjust

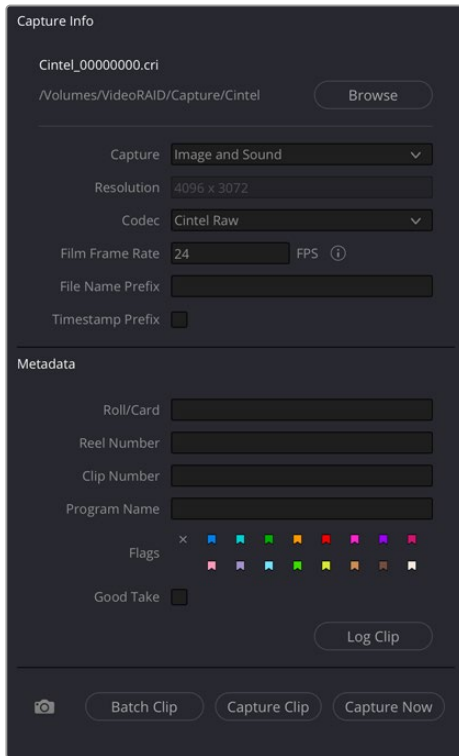
사용하는 Cintel Scanner에 스프로킷 휠이 있는 경우, 이 설정을 통해 35mm에 적용되는 장력의 세기를 조절할 수 있습니다. 이는 손상되기 쉬운 아카이브 필름을 로딩하거나 필름의 수축된 부분을 보정하는데 사용합니다. 'Film Tension Adjust' 설정을 사용할 경우, 필름이 손상될 염려가 전혀 없습니다. 조정값이 아주 미세하며 약간의 변화만으로도 스프로킷이 헛도는 현상을 방지할 수 있습니다.

사용하는 Cintel Scanner에 캡스턴이 탑재된 경우에는 스프로킷이 헛도는 현상이 발생하지 않아 이 설정이 비활성화되거나 표시되지 않습니다.

캡처 정보 및 메타데이터 편집하기

Cintel Scanner를 DaVinci Resolve와 함께 운영할 경우, DaVinci Resolve의 'Film Scanner' 패널 아래에 캡처 메타데이터 입력란이 나타납니다. 'Capture Info' 패널에는 파일 저장 위치 및 코덱 유형, 프레임 레이트, 파일명 포맷 등 캡처 특성을 설명해주는 편집 가능한 메타데이터 입력란이 있습니다. 이 메타데이터는 클립에 저장되어 미디어 페이지에서도 확인할 수 있습니다.

스캔을 수행하기 전에 프로젝트 설정 일부를 변경해야 할 수도 있습니다.



‘Capture Info’ 패널에는 스캔한 클립의 메타데이터 정보가 구체적으로 명시되어 있습니다.

캡처 위치

필름 스캐닝을 시작하기에 앞서 DaVinci Resolve의 ‘Film Scanner’ 패널에 있는 ‘Capture Info’ 섹션으로 이동한 뒤, 스캔한 파일이 원하는 디렉터리 및 볼륨에 저장되도록 설정되어 있는지 확인하세요. ‘Browse’ 버튼을 눌러 나타나는 대화 상자에서 파일 저장 위치를 선택하세요. 이 단계는 그냥 넘어가기 쉽기 때문에 맨 처음에 설정하는 것이 좋습니다.

Capture

Cintel Audio and KeyCode Reader를 장착한 경우, 메뉴에서 ‘Audio Only’ 옵션을 선택하여 이미지 없이 사운드만 캡처하거나 ‘Image and Sound’ 옵션을 선택할 수 있습니다. 오디오가 필요 없을 경우에는 ‘Image Only’를 선택할 수 있습니다.

Resolution

캡처한 파일의 해상도는 원본 파일 포맷에 따라 다르므로 해상도란은 따로 입력할 수 없습니다.

Codec

DaVinci Resolve는 무손실 압축을 위해 Cintel Raw 코덱을 선택하도록 기본 설정되어 있으며, 작은 파일 크기에는 ‘Cintel Raw 3:1’을 선택할 수 있습니다.

Film Frame Rate

필름이 촬영된 프레임 레이트를 입력하세요. DaVinci Resolve는 이 값에 따라 자동으로 타임라인 프레임 레이트를 조정합니다. 이 설정은 캡처 또는 트랜스포트 속도와 무관합니다.

Audio and KeyCode Reader 액세스리 옵션을 사용해 오디오를 스캔할 경우 리더기가 프레임을 자동으로 조절하여 전체 샘플레이트를 48kHz로 유지합니다. 타임코드 출력은 24, 25, 30fps를 지원하며, 이 외의 프레임 레이트의 경우 타임코드 신호가 출력되지 않습니다.

Fine Name Prefix

스캔 파일을 더욱 쉽게 구분할 수 있습니다. 스캔하는 영화명 등의 프로젝트명으로 설정할 수 있습니다.

Timestamp Prefix

이 확인란을 선택하면 스캔 파일에 명시된 파일명 접두사와 함께 타임스탬프가 저장됩니다. 스캔한 클립은 파일 저장 폴더의 하위 폴더에 따로 저장됩니다. 이 항목은 기본 설정으로 선택되어 있습니다.

파일명에 타임코드 없이 모든 클립을 최종 저장 폴더 안에 함께 저장하려면 이 항목의 선택을 해제하세요.

참고 캡처한 파일에 타임스탬프 접두사로 파일명을 설정하지 않고 같은 폴더에 파일을 저장하면 같은 파일 위에 덮어쓰기될 가능성이 있습니다.

Roll/Card, Reel Number, Clip Number, Program Name

이 항목에는 클립을 구분하기 위한 메타데이터를 입력할 수 있습니다.

Flags

색상별 표식을 사용하여 클립에 플래그를 태그합니다.

Good Take

미디어 풀에 있는 'Circle take' 메타데이터와 일치합니다.

Log Clip

미디어 풀에 클립을 추가하세요. 스캔하려는 부분에 인/아웃 포인트 표시가 끝나면 메타데이터가 올바르게 입력되었는지 확인한 뒤, 'Log Clip'을 클릭하세요. 더욱 자세한 정보는 DaVinci Resolve 설명서의 [개별 클립 로깅 및 캡처하기]와 [여러 개의 클립 로깅 및 캡처하기] 부분을 참고하세요.

Batch Clip, Capture Clip, Capture Now, 📷 스냅샷

이 버튼은 다양한 클립 캡처 방식을 제공합니다. 스캔 버튼에 관한 더욱 자세한 정보는 본 설명서의 [필름의 한 부분 또는 여러 부분 스캐닝하기] 부분을 참조하세요.

필름 스캐닝 워크플로

다음은 DaVinci Resolve를 사용하여 필름을 스캔하고 Cintel을 제어하는 방법을 설명합니다. 이전 부분에 기재된 모든 기능은 스캐닝 과정에서 수행해야 하는 순서대로 나열되어 있습니다.

사용 전 주의 사항

스캐너 전원을 켜고 필름을 장착하기 전에 먼저 최대한 깨끗한 영상을 얻을 수 있도록 필름 게이트의 먼지를 깨끗하게 제거하세요. 압축 공기를 사용해도 되지만, 필름 게이트가 너무 지저분할 경우엔 이를 제거하여 완전히 청소하세요. 세척이 끝나면 스캐너의 전원을 켜고 DaVinci Resolve에서 필름 스캔에 사용할 프로젝트를 생성한 다음, 미디어 페이지에서 'Cintel Scan' 버튼을 클릭하세요. 이제 'Film Scanner' 탭을 클릭하여 DaVinci Resolve의 필름 스캐너 패널을 선택하세요.

스캐너에 필름을 장착하거나 다른 작업을 진행하기 전에 필름 스캐너 패널 좌측 하단에 있는 'Calibrate' 버튼을 클릭하세요. 새로운 필름릴을 장착하기 전에 항상 스캐너의 필름 게이트 먼지를 깨끗하게 제거해야 하지만, 'Calibrate' 버튼을 클릭하면 제거할 수 없는 스캐너 렌즈의 반점을 스캔 영상에서 제거합니다.

필름 로딩 및 정렬

스캔하려는 필름을 장착하세요. 영상이 나타나면 스캐너가 자동으로 프레임 정렬합니다. 필름 맨 앞부분을 장착하면 이미지 프레임이 제대로 정렬되지 않을 수도 있다는 점을 기억하세요.

그 다음 필름 종류를 선택하세요. 'Perf nudge' 버튼과 'Frame' 버튼을 사용하여 수동으로 스캐너 센서에 정확하게 프레임 정렬하면 전 프레임의 아래 부분과 다음 프레임의 위 부분이 뷰어에 나타나게 되며, 현재 화면에 나오는 프레임은 수직으로 중앙에 배치됩니다. 프레임 조절 시 뷰어에 나타나는 영상을 확대하지 않는 것이 중요합니다.

스캐너 초점 조절

카메라 렌즈의 초점을 맞추는 것과 마찬가지로 투사되는 필름 이미지를 스캐너 센서 초점에 맞춰야 합니다. 최적의 초점을 맞추기 위해 DaVinci Resolve의 'Film Scanner' 캡처 설정에 있는 'Focus Assist' 확인란을 선택하세요. 이 기능은 스캐너의 HDMI에서 출력되는 UHD 이미지 위에 포커스 피킹 오버레이를 겹쳐 놓는 기능으로 DaVinci Resolve 캡처 창에도 나타납니다. 최상의 결과를 얻기 위해서 UHD 디스플레이를 스캐너에 연결하면 얻을 수 있는 최대 해상도로 영상을 모니터링하며 초점을 맞출 수 있습니다.

'Focus Assist'를 활성화 하면 필름 표면에 완벽한 초점이 맞춰질 때마다 포커스 피킹 기능이 필름 영상 속 필름 그레인을 감지합니다. 이 기능은 필름 이미지의 초점이 맞지 않더라도 사용자가 스캐너에 더욱 집중할 수 있도록 해줍니다. Cintel의 포커스 휠을 조절하면서 스캐너 UHD 출력을 모니터링하세요. 이미지 전체에 흐르는 그레인이 피킹 라인을 나타내면 초점이 맞춰진 것입니다.

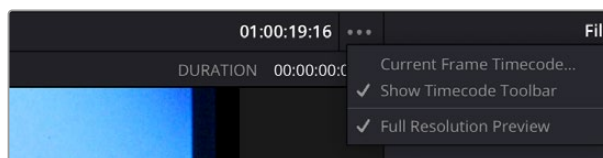
필름 퍼포레이션의 가장자리를 통해 초점 조절을 확인할 수 있습니다. 이 부분이 선명하다는 것은 필름의 초점이 맞춰진 것을 의미합니다.

타임코드 재설정

스캔하려는 필름 롤의 타임코드를 설정하려면 해당 필름 롤의 프레임을 '0'에 배치시켜야 합니다. 흔히 스캔 시 기준으로 참고할 수 있도록 모든 종류의 필름 롤 첫 번째 프레임 바로 전 프레임에 작은 구멍을 뚫어 놓는 것이 일반적입니다. 이 구멍을 마커 프레임, 랩롤, 헤드 펀치라고도 합니다. 항상 첫 번째 프레임의 타임코드가 프레임 표시 구멍과 일치하도록 설정하여 그 다음에 이루어지는 필름 스캔 작업에서 이전 스캔과 같은 프레임 수를 가지도록 합니다. 그래야 필요할 때마다 같은 필름을 다시 스캔하고 컨폼할 수 있습니다.

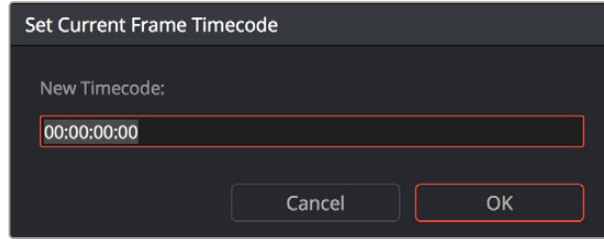
스캔한 타임코드를 새로운 필름 롤의 마커 프레임에 다시 설정하기

- 1 뷰어 아래에 있는 트랜스포트 컨트롤을 사용하여 마커 프레임의 위치를 다시 설정하세요.
- 2 'Viewer' 옵션 메뉴를 클릭하고 'Current Frame Timecode'를 선택하세요.



'Viewer' 옵션 메뉴에서 'Current Frame Timecode'를 선택하는 모습

- 3 입력 창이 나타나면 타임코드 값을 입력하세요. 예를 들어, 프로젝트 첫 번째 필름 롤을 스캔하는 경우, '01:00:00:00'을 입력합니다.



현재 프레임 타임코드 입력창 모습

- 4 입력을 마친 뒤, 'OK'를 클릭하세요.

타임코드는 음수값으로 입력할 수 없으므로 시작 프레임을 '0'으로 설정하지 않습니다. 또 다른 정리 기술 중 하나는 필름 롤을 변경할 때마다 시 단위의 숫자를 변경하여 필름 롤의 숫자와 일치시키는 것입니다. 이렇게 숫자가 일치해야 스캔한 영상과 일치하는 해당 원본 필름 롤과 해당 프레임 범위를 쉽게 찾을 수 있습니다.

Cintel에는 옵션 인터페이스 포트가 내장되어 있어 추후 하드웨어를 옵션으로 추가할 수 있습니다. 이를 통해 카메라 음화 필름의 KeyCode나 광학/마그네틱 오디오를 읽는 등의 옵션 기능을 추가할 수 있습니다. 자세한 설명은 [Audio and KeyCode Reader 옵션] 부분을 참고하세요.

스캔한 프레임 저장 위치 선택하기

스캔 작업을 모두 마치면 DaVinci Resolve의 'Film Scanner' 패널에서 마우스를 아래로 스크롤하여 'Capture Info'에 있는 'Browse' 버튼을 클릭해 스캔한 파일 저장 위치를 선택하세요. 다른 입력란에는 스캔한 파일 및 폴더에 추가할 파일명과 스캔한 미디어와 관련한 롤, 릴, 클립, 프로그램의 정보를 입력할 수 있습니다. 'File Name Prefix' 입력란을 업데이트하면 헤더 상단에 나타나는 파일명 미리 보기도 업데이트됩니다. 화면 상단에는 파일 경로와 해상도, 프레임 레이트, 지속 시간, 포맷 정보 또한 나타납니다. 스캔한 미디어에 해당하는 롤/릴/클립/프로그램 정보를 구체적으로 입력하세요. 'Capture Info' 컨트롤에 있는 'Timestamp Prefix' 확인란은 기본 설정으로 선택되어 있으며, 저장 폴더 안 하위 폴더에 클립을 따로 저장하는 기능으로 파일명에 타임코드 접두사가 포함되어 있습니다.

최종 저장 폴더 안에 모든 클립을 함께 저장하려면 이 확인란 선택을 해제하세요.

HDR 클립을 캡처할 경우, 스캐너에서 노출 수준이 높은 스캔 작업을 마치고 나면, 표준 스캔 결과가 저장되는 폴더 안의 .HDR이라는 숨겨진 폴더에 해당 스캔 결과가 저장됩니다. .HDR 폴더를 삭제할 경우, 미디어 스토리지를 새로 고침하고 해당 클립을 미디어 풀에 다시 가져오기 하면 스캔 결과물이 일반 클립으로 변환됩니다. 이는 스캔 결과에 포함된 HDR 부분에 문제가 발생한 경우에 이를 일반 CRI 파일로 쉽게 변환할 수 있어 유용한 기능입니다.

코덱 확인하기

DaVinci Resolve는 'Cintel RAW' 코덱이 기본으로 선택되어 있으며, 'Cintel RAW 3:1'을 선택할 수도 있습니다.

Cintel RAW 포맷

Cintel의 센서로 스캔한 각 필름 프레임의 Cintel RAW Format Bayer 패턴은 임베디드 스캐너 메타데이터와 함께 12비트 리니어 Cintel Raw Image(CRI) 이미지 시퀀스로 저장됩니다.

DaVinci Resolve에서 색보정 작업 시 CRI 이미지는 12비트 로그로 인코딩된 이미지 데이터로 자동 디베이어됩니다.

로그 인코딩은 Cineon 인코딩 방식과 비슷하지만, 동일하지는 않습니다. 예를 들어, 음화 필름은 농도에 맞는 감마 2.046을 사용해 인코딩되는 반면 양화 필름은 어떠한 영상 데이터도 클리핑되지 않도록 풀 레인지 감마 2.2 커브를 사용합니다. 이 두 가지 로그 인코딩 모두 원하는 색공간으로 변환하기 전에 'Cintel to Linear' 1D LUT를 사용해 선형 색공간으로 변환할 수 있습니다.

필름은 광학 오디오에서 오디오 파형을 확인하고 이미지 안정화를 위한 퍼포레이션 시인성이 유지될 수 있도록 4096x3072의 풀 센서 조리개를 사용하여 스캔됩니다. 그런 다음 스캔된 이미지가 크로핑되며, 퍼포레이션을 위한 오버스캔이 실행된 후의 캡처 파일의 해상도는 소스 필름 포맷에 따라 달라집니다. 또한 오디오 영역이 제거됩니다. 다양한 필름 종류에 따른 스캔 해상도에 대한 자세한 정보는 [사양] 부분을 참고하세요.

Cintel은 다양한 비트 전송률의 무손실 압축 Cintel Raw 파일을 생성하도록 기본 설정되어 있습니다. 이는 시각적 무손실 압축 파일로, 이미지 콘텐츠에 따라 대략 3:2 크기로 파일 크기가 축소되어 아카이브됩니다. 하지만 Cintel Raw 3:1은 대략 3:1 비율의 손실 압축 파일을 사용합니다. 높은 화질의 파일이지만, 시각적으로는 화질 손실이 보일 수도 있습니다. 예를 들면, 35mm/4 퍼포레이션 필름의 파일 크기는 Cintel Raw 포맷이 대략 12.5MB, Cintel Raw 3:1 포맷이 6.3MB입니다. 16mm 필름의 파일 크기는 Cintel Raw 포맷이 대략 4MB, Cintel Raw 3:1 포맷이 2MB입니다.

CinemaDNG 품질 설정

CRI 파일의 품질을 제어하려면 'Project Settings'의 'Camera Raw' 패널에 있는 'Decode Quality' 및 'Play Quality CinemaDNG'를 사용하세요. 해당 설정 항목은 'Full'로 기본 설정되어 있습니다. 프로세서 또는 메모리 성능이 떨어지는 컴퓨터에서는 해당 설정이 낮게 설정될 수 있는데 이는 최종 렌더링 품질에 영향을 끼칩니다.

타임라인 해상도 설정

DaVinci Resolve는 타임라인과 동일한 해상도를 사용하여 스캐너 출력을 디스플레이 및 렌더링합니다. 예를 들어, 35mm/4퍼포레이션 필름의 경우, 4096x3072의 커스텀 해상도를 사용하여 최대 해상도를 얻을 수 있습니다.

참고 타임라인을 HDR로 설정한 상태에서 원하는 딜리버리 화질을 UHD로 설정하면 해상도 손실이 발생할 수 있습니다.

모든 필름 게이지의 크로핑 이미지 영역 해상도에 관한 자세한 내용은 사양 부분의 유효 해상도 정보를 참고하세요. 캡처한 클립의 완벽한 원본 해상도를 원할 경우, DaVinci Resolve의 'Clips Attributes'로 이동하세요.

스캐너 색상 조절하기

DaVinci Resolve의 필름 스캐너 패널은 필름 스캐닝에서 필름에 비추는 빛의 색온도와 노출 제어 기능을 제공합니다. 광원 마스터 휠과 RGB 컨트롤을 사용하여 각 프레임에서 추출하는 정보의 양을 최대화시킬 수 있으며, 동시에 부분 이미지가 클리핑되는 현상을 방지하도록 조절할 수 있습니다. CRI 포맷이 RAW 이미지 포맷이긴 하지만, DaVinci가 사용하는 내부 데이터 범위를 넘는 관용도는 없으므로 스캔하는 동안 내장 비디오 스코프에서 데이터가 클리핑되면 스캔한 미디어에서는 영구적으로 클리핑된다는 것을 기억하세요.

얼마나 자주 스캔 영상의 컬러와 노출을 조절해야 하는지는 특정 필름 롤이 얼마나 다양한 장면으로 이루어져 있는지에 따라 다릅니다. 예를 들어, 일부 필름 롤에는 같은 조명의 비슷한 장면이 많아 한 번에 같이 조절할 수 있습니다.

반면 다른 필름 롤은 매 장면마다 조명 차이가 큰 서로 다른 장면으로 다양하게 구성되어 있어 스캔한 클립을 개별 조절하여 데이터 품질을 최대로 늘려야 합니다.

이는 로깅 및 캡처 워크플로에서 스캔한 클립 간에 광원 마스터휠 및 RGB 컨트롤을 자동으로 변경할 수 없으므로 중요합니다. 다시 말해, 수동으로 직접 설정을 변경하기 전까지 현재의 광원 설정이 스캔한 모든 클립에 적용되며, 한 필름 롤의 서로 다른 부분에서 로깅한 클립에도 적용됩니다. 그러므로 로깅 및 캡처 형식의 작업은 같은 광원 마스터휠과 RGB 컨트롤 설정값을 사용한 여러 개의 클립을 로깅할 수 있을 시에만 실행하는 것이 좋습니다.

그렇지 않은 경우에는 마무리 작업에서 최상의 영상 화질이 필요한 경우에 각각의 클립을 스캔할 때마다 클립의 조명을 개별적으로 조절할 것을 권장합니다. 이러한 방식의 광원 조절은 스캔한 영상의 이미지 데이터를 최대화 시키기 위한 것이지 클립의 최종 영상록을 설정하려는 것이 아님을 기억하시기 바랍니다. 최종 영상록은 그레이딩 단계에서 컬러 페이지에 있는 컨트롤을 사용해 작업할 수 있습니다.

광원 설정을 조절하고 필름 롤의 특정 부분이나 스캔하려는 쏫의 첫 번째 부분을 위한 특정 이미지를 찾은 뒤, 내장된 비디오 스코프를 확인하면서 광원을 조절하세요.

R/G/B 채널 레벨을 한 번에 높이거나 낮출 수 있는 광원 마스터휠을 조절하여 필름에 비추는 광원의 강도를 설정하세요. 일반 카메라 음화 필름을 작업할 경우, 이 설정으로 필름 이미지의 블랙 포인트를 조절할 수 있습니다. 음화 프린트에서는 이미지의 가장 어두운 부분이 필름 이미지에서 하이라이트 부분과 일치합니다. 광원 마스터 휠의 설정을 비디오 스코프의 히스토그램에서 보통 측정된 최소 농도값 '95'보다 약간 높게 조절합니다. 이는 DaVinci가 그레이딩을 위해 CRI 이미지를 디베이어하는데 사용하는 Cineon 형식의 LOG 컨버전이 하이라이트를 클리핑하는 것을 확실하게 방지합니다. 양화 필름의 경우, 광원 레벨을 수동으로 조절하면 신호의 하이라이트나 새도우 부분이 클리핑되는 것을 막을 수 있습니다. 보통 10비트는 1000, 12비트는 4000을 사용합니다.

파형과 RGB 퍼레이드 또는 히스토그램 스코프에서 'Show Reference Levels'를 활성화한 뒤 'Low'로 설정해 디지털 최소 농도값 '95'를 나타낼 수 있습니다.

이 설정이 완료되면 필름에 비추는 광원의 색온도를 변화시킬 수 있는 RGB 컨트롤의 설정값을 다양하게 조절하여 스캔한 영상에서 가장 유용한 또는 중간 색균형을 얻기 위한 세 가지 컬러 채널의 균형을 다시 맞추세요.

필름의 한 부분 또는 여러 부분 스캐닝하기

광원을 조절한 다음, 스캔 작업을 진행하면서 메타데이터 편집기에 관련 메타데이터를 모두 입력하여 클립을 모두 정리해 놓는 것이 좋습니다. 'Capture Info'에 있는 메타데이터 입력란으로는 파일명, 접두사 및 롤, 릴넘버, 클립 넘버, 프로그램명, 플래그, 좋은 테이크인지 표시하는 확인란(Good Take)이 있습니다. 클립을 스캔하기 전에 이곳에 정보를 모두 입력하면 이 메타데이터가 클립에 작성됩니다.

'Capture Info' 패널 하단에는 필름 스캐닝에 필요한 4개의 버튼이 탑재되어 있습니다.

이를 모두 입력하면 다음 4가지 방법 중 한 가지 방법으로 필름을 스캔할 수 있습니다.

Capture Now

'Capture Now' 버튼을 사용해 필름 릴의 긴 부분을 한 번에 캡처할 수 있습니다. 이 버튼을 클릭하면 현재 프레임과 가까운 곳부터 'Stop' 버튼을 클릭하는 지점까지 스캔이 진행됩니다.

'Enable 2 Pass HDR Scan'을 선택한 경우, 캡처가 시작된 이후에 'Capture HDR' 버튼을 클릭하면 원하는 클립의 마지막 부분에 이르렀다는 정보가 DaVinci Resolve에 전달되어 노출 수준이 높은 스캔 과정이 시작됩니다. 'Capture HDR' 버튼을 누르지 않고 전체 릴을 스캔할 경우, 스캐너가 스캔을 시작한 지점부터 필름 릴의 마지막 부분까지 노출 수준이 높은 스캔을 자동으로 진행합니다.

Capture Clips

필름의 특정 부분을 스캔할 수 있는 더욱 섬세한 제어 기능을 제공합니다. 트랜스포트 컨트롤을 사용하고 'Mark In'/'Mark Out' 버튼으로 필름 스캔 구역을 결정한 뒤, 'Capture Clip'을 클릭하면 해당 클립을 스캔한 다음 작동을 멈춥니다.

'Enable 2 Pass HDR Scan'을 선택한 경우, 초반 스캔에 사용된 것과 동일한 입력 및 출력 포인트가 노출 수준이 높은 HDR 스캔 과정에 사용됩니다.

Batch Clips

DaVinci Resolve 필름 스캐너 패널에서 사용하는 광원 설정을 통해 스캔하기 전 여러 개의 클립을 일괄로 로깅할 수 있는 방법입니다. 스캔하려는 필름 섹션마다 Mark In/Mark Out 포인트를 설정하여 클립을 미리 로깅하고 'Log Clip' 버튼을 클릭하면 미디어 풀에 이 프레임 범위가 스캔하지 않은 클립으로 저장됩니다. 'Batch Clips'를 클릭하면 스캔되지 않은 모든 클립이 끝까지 순서대로 스캔됩니다. 하나 또는 여러 개의 스캔하지 않은 클립을 선택하면 선택한 클립만 스캔됩니다. 특정 필름 롤에 해당하는 EDL 파일을 임포트하면 나타나는 로깅된 클립을 스캔에 사용할 수도 있습니다.

참고 'Log Clip' 버튼을 클릭할 경우, Cintel에서 동일한 프로젝트 설정을 모든 클립에 일괄 적용하며, 캡처 시 가장 최근의 프로젝트 설정을 사용합니다. 일괄 캡처 기능을 실행하기 전에 스캐너 설정을 확인하실 것을 권장합니다.

'Enable 2 Pass HDR Scan'을 선택한 경우, 노출 수준이 높은 HDR 스캔 과정에서 초반 스캔 파일 배치에 사용된 것과 동일한 입력 및 출력 포인트가 사용됩니다.

일괄 캡처 워크플로에 대한 자세한 정보는 DaVinci Resolve 사용 설명서의 [Ingesting From Tape] 부분을 확인하세요.

📷 스냅샷

일반 노출 및 현재 스캐너 설정이 적용된 싱글 프레임을 캡처합니다.

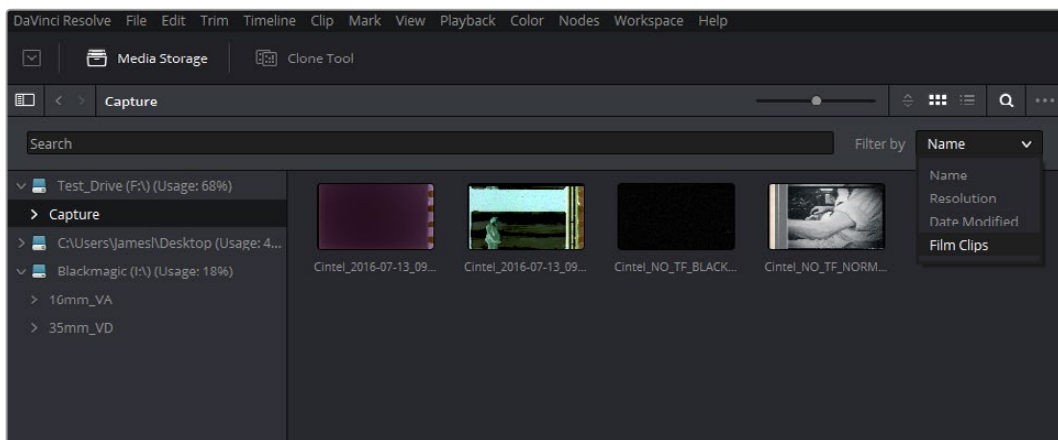
스캐닝을 마친 뒤, 저장 대역폭이 낮아 설정된 속도로 캡처할 수 없는 현상이 DaVinci Resolve에서 감지될 경우, 성공적인 캡처를 위해 스캔 속도를 자동으로 조정합니다. Audio and KeyCode Reader 액세스러리를 옵션으로 사용할 경우, 선택한 오디오 품질을 유지하기 위해 오디오 샘플 레이트 역시 조절됩니다.

오디오 추출하기

스캔하려는 필름에 광학 오디오 트랙이 포함되어 있을 경우 이 오디오를 따로 추출할 수 있습니다. 오디오 추출 시에 DaVinci에서 자동으로 정렬되는 표준 이미지 프레임 기능이 있습니다. 16mm 필름 사용 시에는 26 프레임의 오디오 프레임 오프셋이, 35mm 필름에는 21 프레임의 오디오 프레임 오프셋이 적용됩니다. 광학 사운드트랙이 포함된 클립을 모두 선택한 뒤, 한 클립에 마우스 오른쪽 단추를 클릭하고 ‘Extract Audio’를 선택하세요. Resolve는 각 프레임에서 광학 오디오 트랙이 겹쳐있는 부분을 분석한 뒤, 스캔한 이미지 시퀀스와 동기화되어 일치하는 오디오 트랙을 자동으로 생성합니다.

각 클립의 오디오는 자동으로 추출되고 클립에 임베드되어 스캔한 프레임이 저장되는 디렉토리에 저장됩니다. 클립 썸네일 모서리에 작은 오디오 아이콘이 나타나며 클립과 일치하는 오디오 파일이 있음을 알려줍니다.

오디오 추출을 더욱 간단하게 하기 위해 미디어 스토리지에 있는 클립을 이름(Name) 및 해상도(Resolution), 마지막 수정 날짜(Date Modified)별로 정렬하거나 필름 클립(Film Clips)만 정렬하도록 할 수 있습니다. 클립을 필터링하면 더욱 손쉽게 원하는 클립을 선택할 수 있습니다. 원하는 클립에서 마우스 오른쪽 버튼을 클릭하면 나타나는 메뉴에서 ‘Extract Audio...’를 클릭해 한 번에 여러 개의 클립을 선택하여 오디오를 추출할 수 있습니다. 오디오를 추출하는 동안 정보 박스가 진행 상태를 보여줍니다. ‘Stop’ 버튼을 클릭하면 언제든지 오디오 추출 과정을 멈출 수 있습니다.



미디어 스토리지에 있는 콘텐츠를 필터로 정렬하면 더욱 손쉽게 관리할 수 있습니다

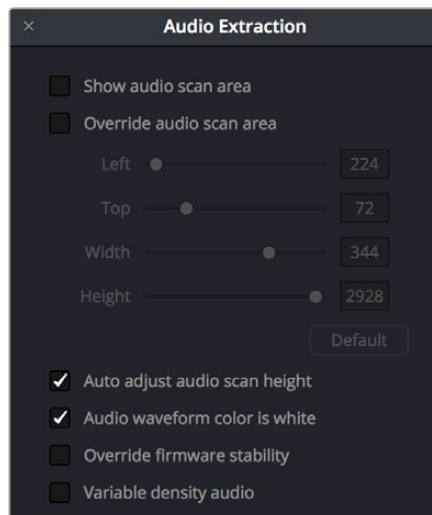
‘Capture Info’ 섹션에서 ‘Timestamp Prefix’ 선택을 해제한 상태에서 클립을 스캔한 경우, 추출된 오디오가 클립에 자동으로 임베드되도록 하려면 반드시 미디어 풀에 있는 클립에서 오디오를 추출하세요.

오디오 추출 설정

일반적으로 필름 유형을 선택하고 나면 DaVinci Resolve의 자동 기능이 광학 오디오를 완벽하게 추출해냅니다. 하지만 광학 오디오의 트랙 상태가 스캐너에 장착된 필름 상태에 따라 달라질 수 있기 때문에 이러한 현상이 자동화 기능에 혼돈을 야기시킬 수 있습니다. 만약 이런 일이 발생할 경우, 자동화 기능을 건너뛰고 수동으로 원하는 조절을 수행하세요.



수동 조절을 하려면 뷰어 우측 상단에 있는 인스펙터 옵션에서 'Show Cintel Audio Settings'를 클릭하여 'Audio Extraction' 설정창을 여세요



'Audio Extraction' 설정에서는 수동으로 원하는 설정을 조절할 수 있습니다

'Audio Extraction' 설정에서는 다음과 같은 설정을 수동으로 조절 가능합니다.

오디오 스캔 영역 나타내기

이 확인란은 오디오 스캔 영역 가이드를 끄고 켜니다. 프레임 옆에 박스 형태로 나타나는 이 오디오 스캔 영역 가이드는 광학 오디오 스캔 영역을 다루며 오디오를 추출하는 동안 어떤 광학 정보가 사용되는지를 보여줍니다. 가이드 위치는 선택한 필름 종류에 맞게 컨폼됩니다. 위치 이동을 원할 시에는 수동으로 위치 변경이 가능합니다. 오디오 스캔 영역 가이드는 오디오 추출 과정을 보여주는 역할을 하므로 잠재적 문제점을 발견하고 이를 조정할 수도 있습니다.

가이드 박스 안쪽에는 빨간색 얇은 선이 있습니다. 이 선은 스테레오 채널과 오디오 채널의 분리 지점을 감지하는 중심점 탐지기입니다. 오디오 추출 과정에서 모노 사운드가 감지될 경우 중심점 탐지기가 사라지고 오디오 스캔 영역 가이드가 자동으로 모노 광학 트랙 폭에 맞게 조절됩니다.

정보 오디오 스캔 영역 가이드를 좀 더 자세히 확인하려면, 뷰어를 확대해 뷰어 위치를 좌/우/상/하로 이동하세요. 뷰어 좌측 상단에 있는 크기 조정 옵션에서 확대 크기를 선택한 뒤 마우스 또는 트랙패드로 뷰어를 클릭해 드래그하세요.



‘Show audio scan area’ 확인란을 선택하면 오디오 영역 가이드가 나타나 정확히 어떤 정보가 사용 중인지를 확인하고 추출 과정을 모니터링할 수 있습니다

Override Audio Scan Area

이 설정은 슬라이더로 오디오 스캔 영역 가이드의 가로/세로 위치 지정, 너비, 높이를 조절할 수 있습니다. 설정 옵션은 다음과 같습니다.

Left and Width

사용하는 필름에서 오디오가 프레임 오른쪽에 나타나는 유형일 경우, 왼쪽 슬라이더를 사용하면 간단하게 가이드 박스를 오른쪽으로 이동시킬 수 있습니다. 일반적으로 선택한 필름 유형에 맞게 자동으로 이동하지만, 필요에 따라 이 설정으로 더욱 유연하게 제어가 가능합니다. 비슷한 방식으로 ‘Width’ 설정을 사용하여 스캔 영역의 너비를 조절합니다.

필름 광학 오디오 영역 안에 원치않는 요소가 있을 경우, 가이드 박스를 옆면으로 미세하게 이동시킬 수 있는 유용한 도구입니다. 이러한 요소들은 퍼포레이션이 닳아서 손상되거나 인쇄 품질이 서로 다를 경우 생길 수 있으며 간혹 오디오 추출 시 품질에 지장을 주기도 합니다. 가이드 박스를 이러한 요소 바깥에 위치하도록 섬세하게 이동시키면 이러한 현상을 방지할 수 있습니다.

Top

이 설정은 가이드 박스의 위치를 수직 방향으로 조절하세요.

Height

오래된 필름롤의 필름 프레임 크기가 시간이 지나면서 수축되어 일반 필름롤보다 약간 작을 수도 있습니다. 수동으로 가이드 박스를 조절할 시에는 높이 조절 슬라이더를 사용하여 수축된 필름을 조절할 수 있습니다.

Auto Adjust Audio Scan Height

이 설정은 기본 설정으로 가이드 박스의 높이를 각 프레임 위에 있는 오디오 파형과 정렬되도록 자동으로 조절합니다. 자동 기능은 일반 오디오 환경에서 제대로 작동되지만, 오디오 추출 과정 중에 가이드 박스가 무작위로 움직이며 추출된 오디오 품질에도 영향을 끼치는 것이 발견된다면 프레임이 서로 중복되는 오디오 트랙에 있는 비슷한 자동 기능이 원인일 수 있습니다. 이러한 현상이 발생하면 이 확인란 선택을 해제하고 오디오 추출을 다시 시도하세요.

‘Auto adjust audio scan height’ 확인란 선택을 해제할 경우, ‘Height’ 설정을 통해 가이드 박스 위치가 최적의 프레임 위치에 나타나도록 조정하세요. 필요에 따라 수동 조절 기능이 도움을 주지만 이후 자동 기능으로 되돌리는 것을 잊지 마세요.

Audio Waveform Color is White

스캔하는 필름 종류에 따라 오디오 파형의 색상이 검정 또는 흰색으로 나타납니다. 파형의 색상이 흰색일 경우, 해당 확인란이 선택되어 있는지 확인하세요. 이는 오디오 추출 중 파형의 흰색 정보가 사용 중임을 나타냅니다. 파형이 검정색을 띄고 오디오 영역 주변이 흰색일 경우, DaVinci에서 파형의 검정 정보를 사용하도록 이 확인란 선택을 해제하세요. 미드 포인트와 모노 감지 같은 기타 자동 기능 또한 이 설정을 올바르게 설정해야 사용할 수 있습니다.

Override Firmware Stability

드물지만 필름 상태로 인한 내부 펌웨어 안정화 때문에 프레임이 크게 움직이는 일이 발생할 수 있습니다. 이는 오디오 추출 가이드 박스와 광학 트랙의 정렬을 흐트러뜨릴 수 있습니다. 만약 이러한 일이 발생하면 오디오 추출 가이드 박스가 필름 퍼포레이션을 독립적으로 추적하여 일시적으로 좋은 결과를 제공하기 위해 위치 지정을 조절하는 ‘Override firmware stability’ 기능을 활성화하세요.

Variable Density Audio

사용하는 필름에 가변농도 방식의 오디오가 포함된 경우, DaVinci Resolve가 오디오를 추출할 때 오디오 종류를 확인할 수 있도록 ‘Variable density audio’ 확인란을 반드시 선택하세요. 가변면적 방식의 오디오 사운드트랙을 위해 비활성화로 기본 설정 되어 있습니다.

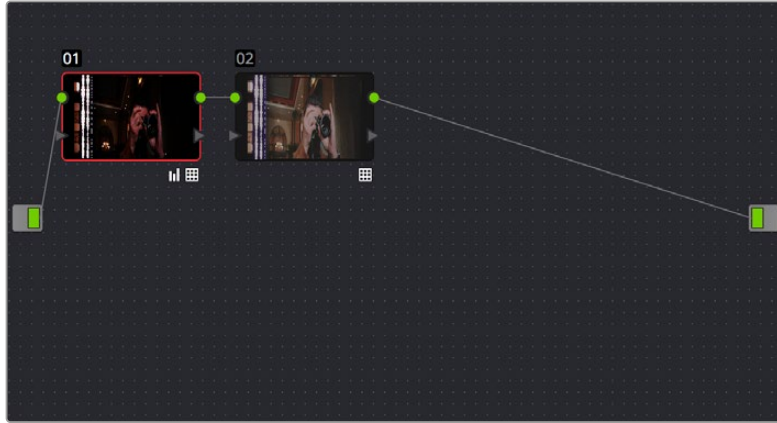
가변농도 방식의 오디오를 사용해본 경험이 없는 경우, 바코드와 유사하게 음영 처리된 일련의 선들이 서로 가까이 모여 있는 것을 시각적으로 확인할 수 있습니다. 반면, 가변면적 방식의 오디오 사운드트랙은 오디오 파형으로 나타납니다.

색공간 및 크기 조절

스캔한 미디어를 추가 작업이 가능한 색공간으로 변환하도록 도와주는 ‘Cintel Negative to Linear’와 ‘Cintel Print to Linear’인 1D LUT 한 쌍이 제공됩니다. 이 두 개의 LUT를 컬러 페이지에 적용하여 원본 스캔 이미지를 선형(Linear) 색공간으로 변환할 수 있습니다. 하지만 이 이미지를 Rec. 709 또는 Cineon으로 변환하여 추가 조절을 하려는 경우에는 두 번째 LUT를 두 번째 노드에 추가해야 합니다. 프린트 필름의 색공간은 2.2 감마 표준 로그 곡선으로 기본 설정되어 있으며, 다른 모든 경우엔 2.046 필름 농도 로그 감마를 사용합니다.

일반적으로 영화 필름에는 두 번째 LUT를 적용한 뒤, '색상 반전'을 사용하는 것이 가장 좋은 결과를 얻을 수 있습니다. 게다가 선형 데이터는 데스티네이션 색공간으로 제대로 변환될 수 있도록 최소 농도(Dmin)로 인한 블랙 오프셋을 제거할 수 있는 일부 그레이딩 작업이 요구됩니다. 각 노드 상황별 메뉴의 3D 서브 메뉴에는 선형 색공간을 모든 종류의 색공간으로 변환하여 작업할 수 있는 다양한 VFX 입/출력 LUT가 있습니다.

더욱 자세한 정보는 DaVinci Resolve 설명서의 [Using LUTs]에 있는 'Applying a LUT Within a Node' 부분을 참고하세요.

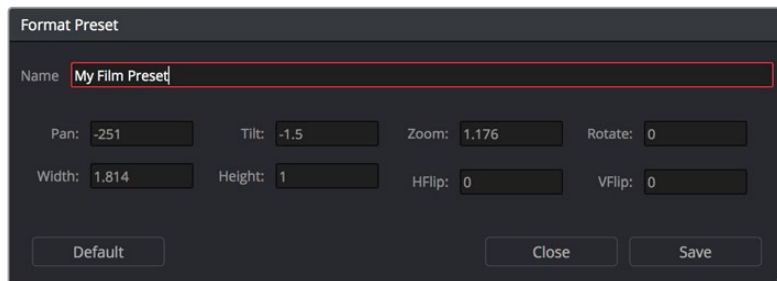


LUT를 사용해 필름 스캔을 변환할 경우, 'Negative'/'Print'에서 'Linear'로 변환하는 노드 1과 Linear에서 Rec.709로 변환하는 노드 2, 필요에 따라 색상 변환을 위한 노드 3을 사용하세요

LUT를 노드에 적용할 경우, 0 미만 그리고 1 이상에 해당하는 모든 영상 데이터가 클리핑됩니다. 변환 노드에 클리핑 현상이 발생하는 것을 방지하려면, 이 노드 앞에 새로운 노드를 삽입해 리프트/감마/게인 이미지 레벨을 조절하세요.

현재 스캐닝하는 필름의 포맷과 필름이 최초 촬영된 방식은 프레임링 작업에 영향을 끼칩니다. 하지만 스캔한 클립의 최종 구도는 크기 조절 및 줌, 스트레칭, 패닝, 틸팅 등을 사용하여 조절할 수 있습니다. 컬러 페이지에서 'Sizing' 팔레트를 열고 'Input Sizing' 모드를 사용하여 필요한 구도를 생성하세요. 크기 조절 설정을 프리셋으로 저장하려면 메뉴를 열고 'Save as New Preset'을 선택한 후 프리셋 이름을 입력하세요.

주어진 미디어 유형에 적절한 크기 조절 프리셋을 생성하고 나면 컬러 페이지 또는 미디어 풀에서 선택된 클립 메뉴의 'Change Input Sizing Preset' 명령어를 사용해 해당 프리셋을 여러 개의 필름 스캔 영상에 한 번에 적용할 수 있습니다. 크기 조절에 관한 자세한 정보는 DaVinci Resolve 매뉴얼의 [크기 조절 및 이미지 안정화] 부분을 참고하세요.

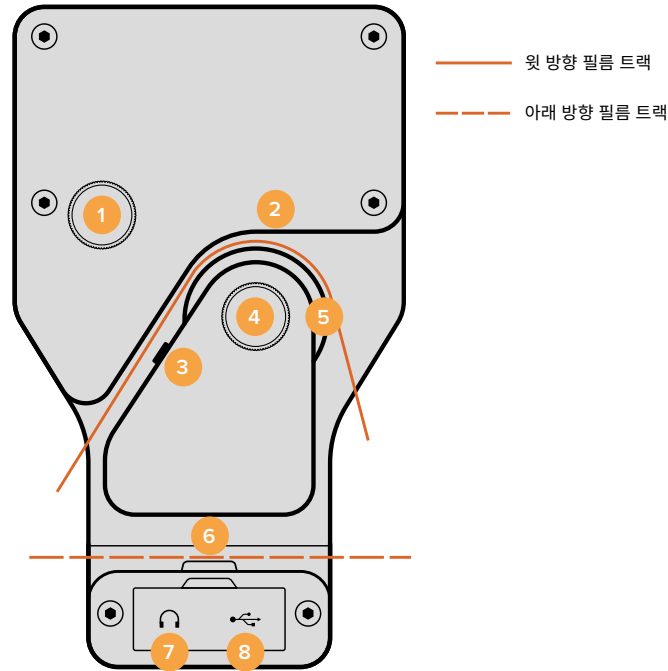


컬러 페이지의 'Sizing' 팔레트에서 크기 조절 프리셋을 생성하세요

Audio and KeyCode Reader 옵션

Audio and KeyCode Reader 옵션을 추가하면 Cintel의 성능이 확장되어 35mm/16mm 필름의 광학 및 마그네틱 사운드트랙을 캡처할 수 있습니다. 사운드트랙은 원래보다 느리거나 빠른 속도 등의 다양한 속도로 캡처할 수 있습니다. 사용한 필름릴 및 필름 스톡의 프레임 위치에 관한 KeyCode 정보 또한 스캔할 수 있습니다.

Audio and KeyCode Reader는 다음과 같은 부품으로 구성되어 있습니다.



1. 광학오디오 추적 노브
2. 마그네틱 오디오 헤드
3. 광학 오디오 스캐너
4. 캡스턴 롤러 클리닝 노브
5. 캡스턴 롤러
6. 키코드 스캐너
7. 헤드폰 포트
8. USB 펌웨어 포트

리더기 윗부분에 필름을 연결하여 필름에서 광학 및 마그네틱 사운드트랙을 추출할 수 있습니다.

리더기 아랫부분에 필름을 연결하면 키코드 정보를 캡처할 수 있습니다. 키코드 데이터는 일부 네거티브 필름 스톡의 필름 퍼포레이션 근처에 저장되어 있으며, 일반적으로 필름릴의 프레임 위치에 관한 데이터와 필름롤을 확인할 수 있는 정보 그리고 필름 스톡 유형과 같은 추가 정보가 포함되어 있습니다. 스캔한 정보는 각 Cintel RAW 프레임에 메타데이터로 저장됩니다.

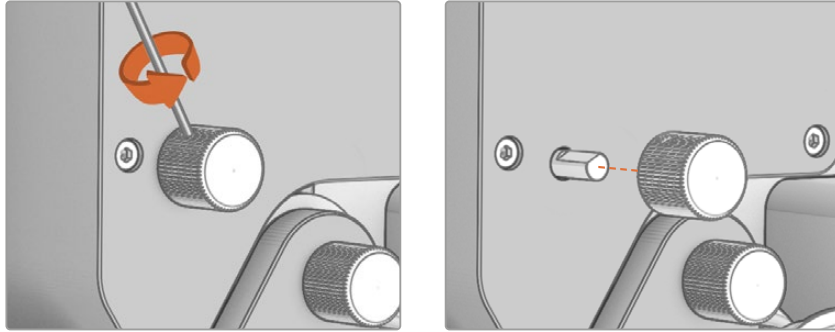
정보 Audio and KeyCode Reader를 장착하지 않아도 Cintel Scanner에서 광학 사운드트랙 정보를 캡처할 수 있습니다. 필름을 스캔한 다음, DaVinci Resolve 필름 스캐너 패널에서 오디오 추출 기능을 사용하면 됩니다. 광학 오디오 추출에 관한 더욱 자세한 정보는 본 설명서의 [오디오 추출하기] 부분을 확인하세요.

Audio and KeyCode Reader 장착하기

이 리더기는 스캐너 좌측 옵션 인터페이스에 있는 송신 스피커 아래의 6핀 액세서리 XLR 커넥터를 통해 작동됩니다.

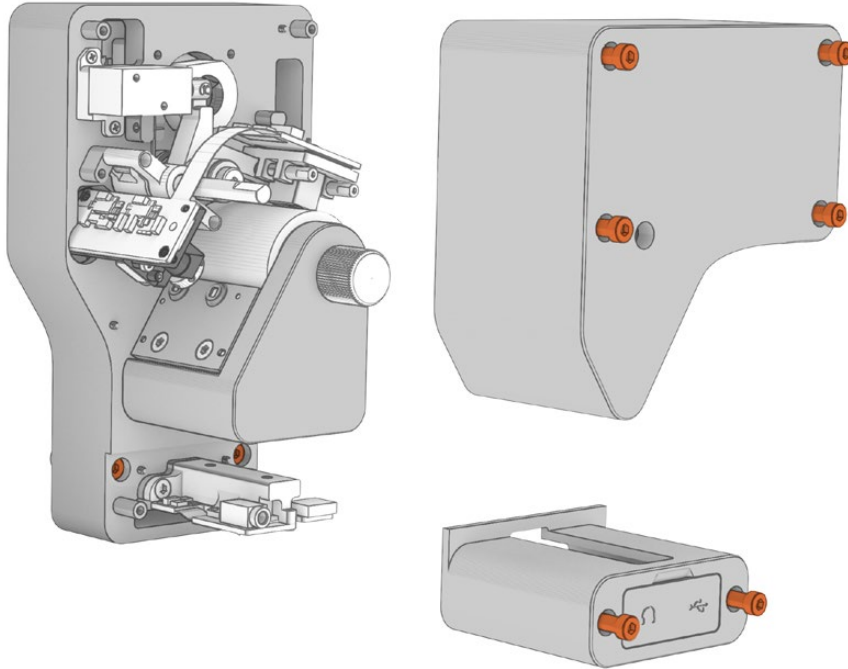
Cintel Scanner에 Audio and KeyCode Reader 장착하기

- 1 먼저 Cintel Scanner의 전원이 꺼져있는지 확인하세요.
- 2 옵션 리더기 위쪽 노브의 움푹 패인 부분에 작은 고정 나사가 있습니다. 1.5mm 육각 렌치를 사용하여 이 나사를 풀고 중심축에서 노브를 빼세요. 그러면 리더기 윗부분의 커버를 분리할 수 있습니다.



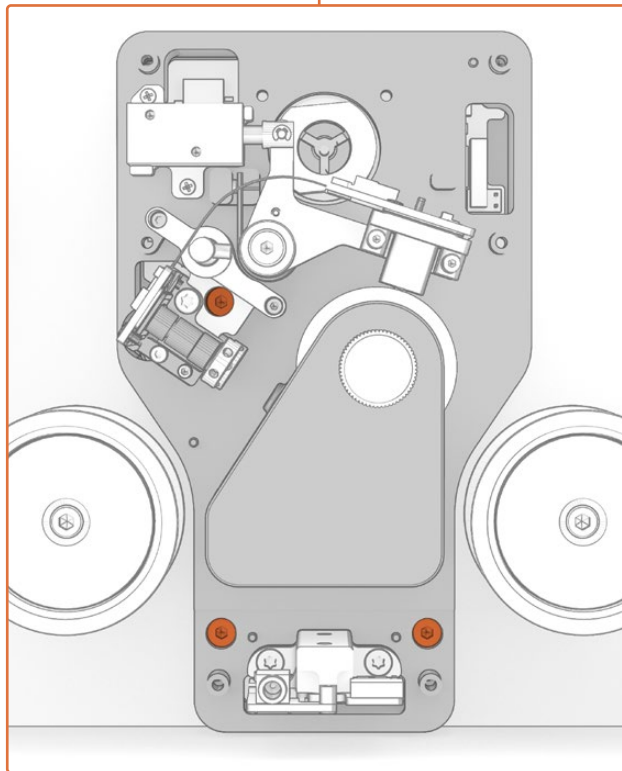
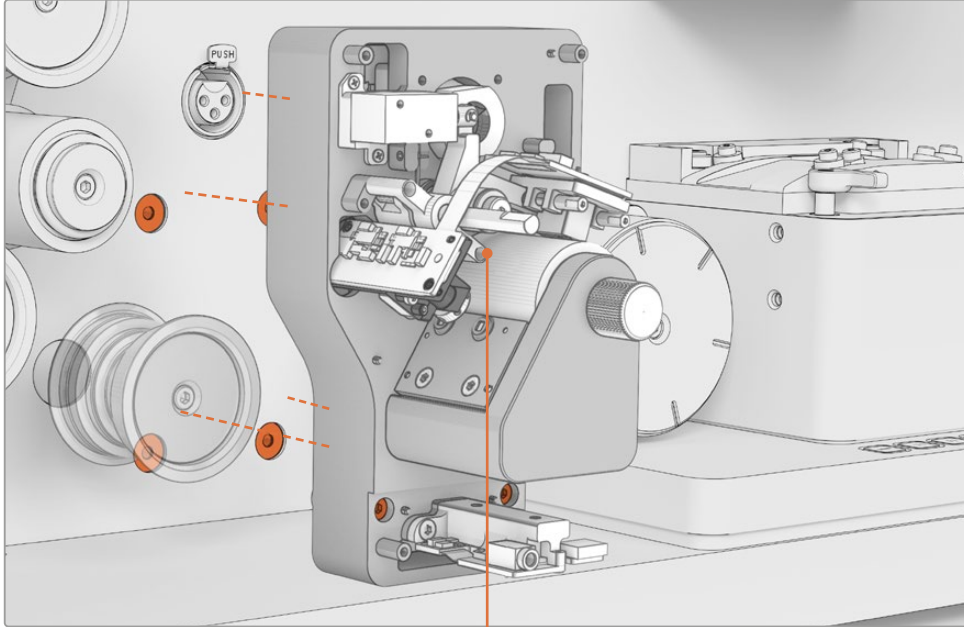
1.5mm 육각 렌치를 사용하여 조절 노브에 고정된 나사를 풀고 중심축에서 노브를 제거하세요.

- 3 2.5mm 육각 렌치로 6개의 M3 나사를 제거하여 Audio and KeyCode Reader 윗 부분과 아랫 부분 커버를 분리하세요. 나사는 캡티브 나사로 리더기에서 분리되지 않습니다. 커버를 떼어내면 Cintel에 리더기를 장착하기 위한 캡티브 나사가 보입니다.



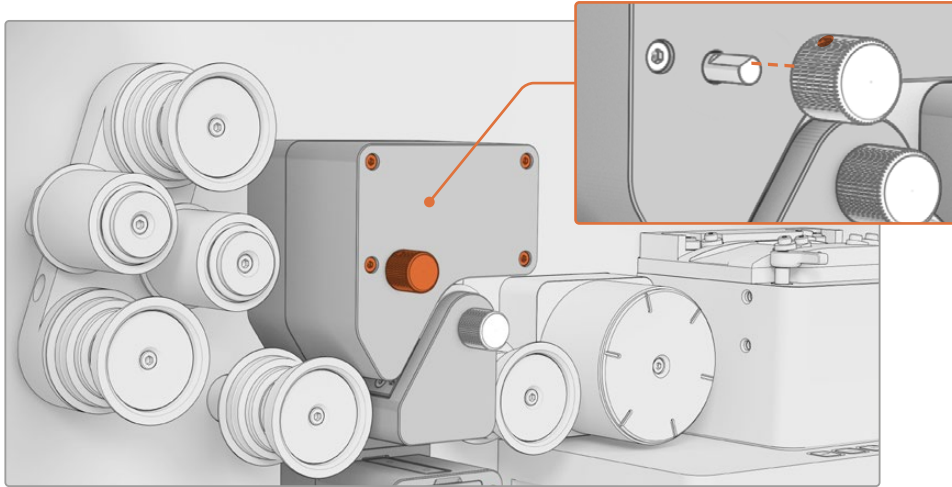
6개의 M3 나사를 풀어 리더기에서 윗 부분과 아랫 부분 커버를 제거하세요. 캡티브 나사이므로 이미지처럼 접촉면이 분리될 때까지 나사를 풀면 됩니다.

- 4 2mm 육각 렌치를 사용하여 Cintel에 있는 4개의 M4 나사 플러그를 제거하세요. 좌측 상단에 있는 두 개의 나사 플러그와 좌측 옵션 인터페이스 XLR 커넥터 아래에 있는 나머지 두 개의 나사를 푸세요.
- 5 해당 XLR(수) 커넥터를 Cintel에 있는 좌측 옵션 인터페이스 커넥터 XLR(암)에 연결하여 리더기를 스캐너에 장착하세요.
- 6 덱플레이트에 평평하게 장착되었는지 확인한 뒤, 3개의 캡티브 M3 나사를 사용하여 스캐너에 Audio and KeyCode Reader를 고정시키세요.



리더기를 좌측 옵션 인터페이스 XLR 커넥터에 연결하고 3개의 캡티브 M3 나사를 사용하여 Cintel 스캐너에 리더기를 고정시키세요.

- 7 Audio and KeyCode Reader 커버를 다시 씌우고 커버 나사를 조이세요.
조절 노브를 다시 장착한 뒤, 중심축 평평한 부분에 고정 나사를 조이세요.



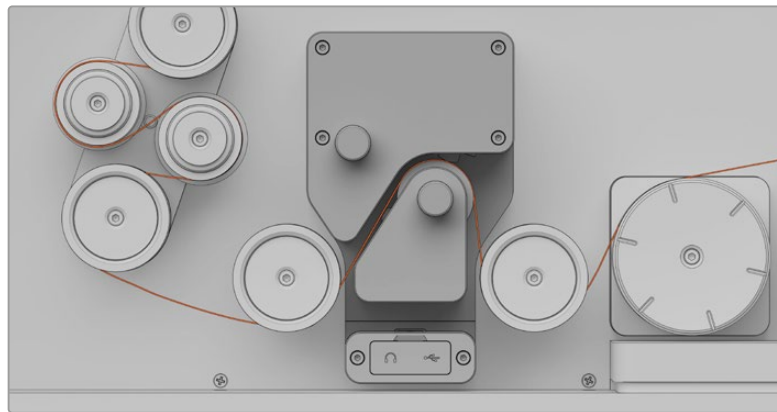
6개의 캡티브 M3 나사를 조여 리더기의 커버를 다시 장착하고 중심축 평평한 부분에 나사를 조여 조절 노브를 장착하세요.

오디오 읽기

Audio and KeyCode Reader가 장착된 스캐너에서는 35mm와 16mm 필름의 광학오디오 정보 그리고 16mm 필름의 마그네틱 오디오 정보를 녹음할 수 있습니다.

필름 연결하기

오디오 정보를 실시간으로 녹화하기 위해서 먼저 해야 할 일은 리더기의 오디오 경로를 따라 필름을 연결하는 것입니다. 아래 그림은 필름이 올바르게 연결된 모습입니다.



Audio and KeyCode Reader 윗 부분을 통해 필름을 연결한 모습.

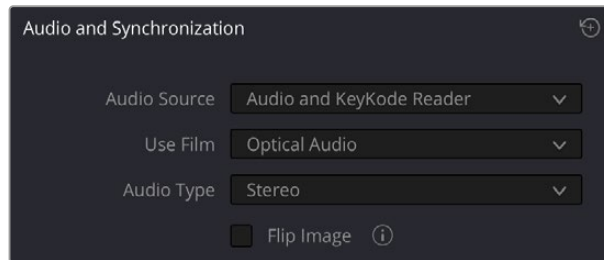
참고 광학 오디오를 스캔하는 경우, 스캔 중인 16mm LED와 35mm LED의 위치에 주의하세요. 16mm LED의 위치는 Cintel 새시와 거리가 있는 반면 35mm LED는 가까이에 있습니다.

정보 리더기의 오디오 경로에 필름이 연결된 경우, DaVinci Resolve는 오디오를 자동으로 녹화하여 클립에 추가합니다. 이 필름이 아랫부분에 연결된 경우 오디오는 녹음되지 않습니다.

오디오 스캐닝을 위한 리더기 설정

스캐너에 필름 장착이 완료되면 DaVinci Resolve의 필름 스캐너 패널로 이동하여 리더기 기능을 액세스리에 있는 'Use Film'과 'Audio Type'을 설정하세요. 'Audio Source' 메뉴에서 선택한 옵션에 따라 'Use Film'과 'Audio Type'에서 사용 가능한 옵션이 변경됩니다.

이 설정에서는 리더기에서 사용하려는 기능을 설정할 수 있습니다. 예를 들어, 리더기가 키코드 정보를 스캔하도록 설정하거나, 다양한 오디오 유형을 설정하고, 광학오디오 또는 마그네틱 오디오 설정을 수행할 수 있습니다.



DaVinci Resolve 필름 스캐너 패널의 'Audio and KeyCode Reader' 창에서 'Use Film' 옵션을 'KeyCode Scanning(키코드 스캔하기)' 또는 'Audio Scanning(오디오 스캔하기)'로 변경할 수 있습니다.

정보 사용 가능한 옵션은 연결한 필름 유형에 따라 다릅니다. 예를 들어 DaVinci Resolve 필름 스캐너 패널에 필름 유형이 16mm으로 설정된 경우 마그네틱 오디오를 사용할 수 있습니다.

오디오 소스

스캔한 이미지에 맞는 오디오 소스를 선택하세요.

None

사용 중인 오디오 트랙이 없습니다. 'Use Film'과 'Audio Type' 옵션을 사용할 수 없습니다.

Audio and KeyCode Reader

Audio and KeyCode Reader를 사용해 필름의 광학 오디오 또는 마그네틱 오디오를 읽습니다.

External Audio

이 옵션은 외부 XLR 오디오 포트를 통해 아날로그 오디오나 AES/EBU 디지털 오디오를 수신할 경우에 선택하세요.

Use Film

이 설정에서 리더기의 KeyCode 기능 또는 오디오 리딩 기능 사용을 결정합니다. 키코드 데이터 읽기와 관련한 정보는 다음 부분 [키코드 읽기] 부분을 참고하세요.

오디오 리더기 설정 사항은 다음과 같습니다.

Optical Audio

광학 오디오 트랙에서 오디오를 스캔할 시 이 설정을 선택하세요.

필름을 살펴보면 광학 오디오 트랙인지 아닌지를 확인할 수 있습니다. 35mm 필름 또는 16mm 필름을 스캔할 경우 필름 한쪽 면에 지속적인 파형이 보이거나, 필름 한쪽면에 뾰뾰하게 긴 줄무늬가 있는 경우 광학 사운드트랙이 복사된 것을 알 수 있습니다.

Optical Audio Narrow Track

사용하는 필름의 광학 사운드트랙의 크기가 Audio and KeyCode Reader가 스캔하는 영역보다 작을 경우, 광학 오디오를 스캔할 때 필름이 수축하거나 내재한 변수가 발생할 수 있습니다. 이는 리더기가 퍼포레이션을 스캔하거나 사운드 트랙 양옆에 있는 이미지 데이터를 스캔하여 오디오 전파를 방해하는 현상을 일으킬 수 있습니다. 이러한 현상이 발생한 경우에는 리더기의 트래킹 노브를 사용하여 오디오를 개선시킬 수 있지만, 이 문제가 해결되지 않고 계속 오디오 트랙에서 문제가 발생할 경우에는 'Use Film' 메뉴에서 'Optical Audio Narrow Track'을 선택합니다. 이 기능은 리더기가 스캔하는 영역을 약 20% 정도 줄여주어 광학 트랙에서 원치 않는 영역을 한정시키고 오디오 스캔 품질을 향상시킵니다.

오디오 리더기의 트래킹 기능에 관한 자세한 정보는 [트래킹]부분을 확인하세요.

Magnetic Audio

16mm 필름의 마그네틱 스트라이프 오디오 트랙을 스캔하려는 경우, 'Use Film'을 'Magnetic Audio'로 설정하세요.

16mm 필름 프레임 옆에 검정색의 줄무늬가 보이면 마그네틱 스트라이프 오디오 트랙임을 알 수 있습니다. 필름에 감광유제를 바른 경우에는 이 검정색 줄무늬가 구릿빛으로 나타납니다.

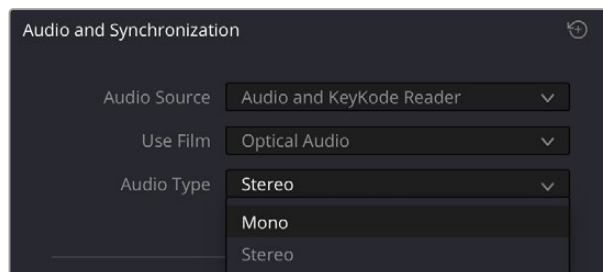
참고 마그네틱 스트라이프 오디오를 스캐닝하는 경우, 적절한 이퀄라이제이션을 위해 스캔 속도를 초당 24프레임으로 설정할 것을 권장합니다. 다른 속도로 스캔할 경우 후반 작업에서 피치 조절이 필요할 수 있습니다.

오디오 유형

'Use Film' 옵션 선택이 완료되면 'Audio Type' 메뉴에서 적절한 오디오 유형을 선택하세요.

Stereo 또는 Mono 오디오

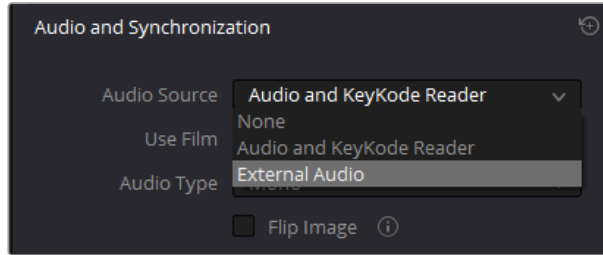
필름을 직접 확인하여 광학 오디오가 스테레오인지 또는 모노인지를 쉽게 구분할 수 있습니다. 두 개의 파형이 나란히 있으면 필름에 스테레오 음향 트랙이 있음을 의미합니다. 파형이 하나만 있거나, 다양한 밀도의 줄무늬가 뾰뾰하게 있는 경우 모노 사운드트랙임을 알 수 있습니다. 마그네틱 오디오는 항상 모노 (Mono) 오디오입니다.



필름 오디오의 유형에 따라 'Stereo' 또는 'Mono'를 선택하세요.

External Audio

‘Audio Source’의 풀다운 메뉴를 클릭한 다음 ‘External Audio’를 선택하세요.



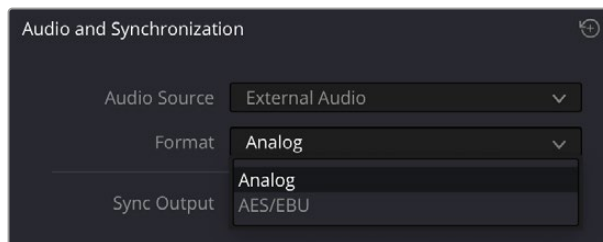
‘External Audio’를 선택하면, Cintel Scanner의 측면 패널에 있는 XLR 오디오 입력에 아날로그 오디오 또는 AES/EBU 디지털 오디오를 연결할 수 있습니다. ‘Format’ 메뉴에서 적절한 옵션을 선택하세요.

Analog

이 설정은 균형 아날로그 오디오를 사용할 경우에 선택하세요.

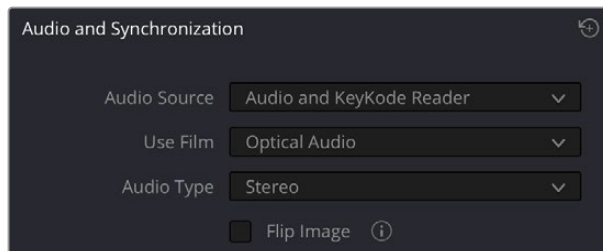
AES/EBU

이 옵션을 사용해 AES3라고도 알려진 AES/EBU 오디오를 연결할 수 있습니다.



Flip Image

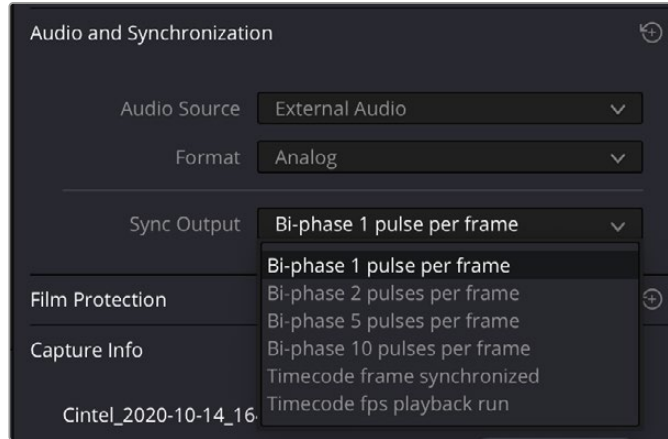
영화 필름 유형의 오디오 스캔 시 이미지가 뒤집힌 경우, ‘Flip Image’ 확인란을 선택하세요.



‘Flip Image’ 옵션을 선택하면 프레임이 좌우로 반전됩니다

Sync Output

XLR3 포트를 통해 동기화를 필요로 하는 외부 장비에 스캐너가 연결된 경우, 'Sync Output' 메뉴를 사용하여 동기화 표준을 선택하세요.



'Sync Output' 메뉴의 바이페이스 및 타임코드 출력 옵션

'Bi-phase' 모드에서는 표준 오디오 XLR3 차동 쌍에 두 개의 단일 접지 직교 신호가 출력되기 때문에 사용자가 선택한 방향 및 주파수를 감지할 수 있습니다. 'Timecode frame synchronized' 모드에서는 전송된 각 프레임의 단일 타임코드 값이 출력됩니다. 'Timecode fps playback run' 모드에서는 프로젝트의 필름 프레임 속도에 의해 결정된 고정 속도로 타임코드가 출력됩니다. 바이페이스 선택 시 4.5V로, 타임코드 선택 시 1.5V로 전압 출력이 자동 전환됩니다.

참고 타임코드 출력은 24/25/30fps의 프리런 모드 또는 프레임 잠금 모드를 지원합니다. 다른 프레임 레이트에서는 타임코드 출력을 사용할 수 없습니다.

캡처 속도

Audio and KeyCode Reader를 설치하고 오디오를 캡처하도록 설정한 경우, Cintel 스캐너의 최대 스캔 속도는 사용하는 필름 프레임 속도의 최대 125%까지 수행할 수 있습니다. 예를 들어, 초당 24프레임으로 재생되도록 설정된 필름을 스캔할 경우, 초당 30 프레임의 최대 스캔 속도로 설정할 수 있습니다. 이 속도는 48 kHz 샘플 레이트를 지원합니다.

트래킹

광학 사운드트랙의 위치는 영사 필름마다 약간씩 다를 수 있기 때문에 리더기가 필름의 정확한 영역을 스캔하는지 확인해야 합니다. 오디오 리더기의 트래킹 기능은 광학 오디오 스캐닝 헤드의 위치를 미세하게 조절하여 가능한 최고의 화질을 얻기 위한 기능입니다.

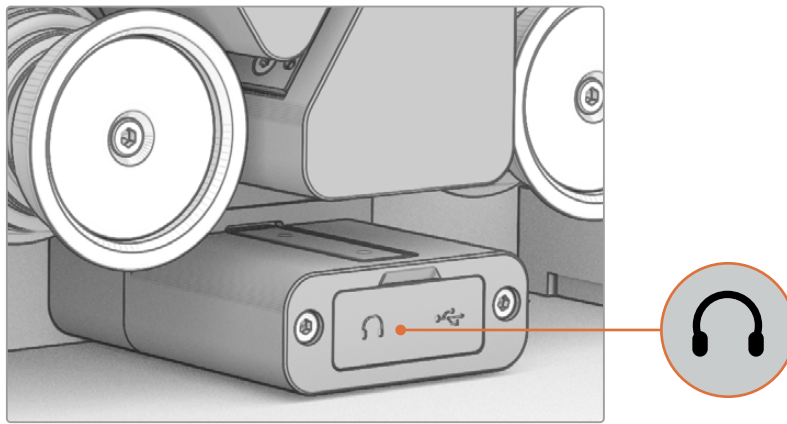
트래킹 기능 사용하기

- 1 헤드폰 세트 또는 오디오 분석기를 리더기의 3.5mm 헤드폰 잭에 연결하세요. 고무 커버를 열면 이 커넥터가 나타납니다.
- 2 헤드폰이나 오디오 분석기를 연결한 상태에서 스캐너의 트랜스포트 컨트롤을 사용해 필름에서 오디오가 시작하는 부분으로 이동하고 필름을 재생시킬 수 있습니다.

- 3 필름 오디오를 듣거나 분석하면서 트래킹 노브를 시계 방향 또는 시계 반대 방향으로 돌려 조절합니다. 트래킹 노브는 리더기 윗 부분에 있습니다. 트래킹 노브를 조절하여 필름 가장자리에 있는 스캐닝 헤드를 움직이면 광학 트랙 위에 정확하게 맞출 수 있습니다. 트래킹 노브 조절하면 오디오 라우드니스와 선명도가 변하는 것을 들을 수 있습니다. 오디오 분석기 또한 같은 원리로 작동되지만, 트래킹 노브의 움직임이 더욱 정확합니다.

스테레오 트랙에서는 두 개의 채널이 모두 왜곡 없이 깨끗하고 강한 소리를 내는 최적의 위치를 발견할 때까지 조절하면 됩니다.

모노 오디오에서는 트래킹 노브를 조절할 때 오디오 유형을 스테레오로 설정하는 것이 더욱 효과적입니다. 이 설정은 좌/우 스테레오 채널을 사용하여 오디오 트랙의 중심을 맞출 수 있으며, 그래야 최상의 음질로 모노 트랙을 스캔할 수 있습니다. 트래킹 노브를 최적화한 다음, 오디오 유형을 모노로 리셋하는 것을 잊지 마세요.

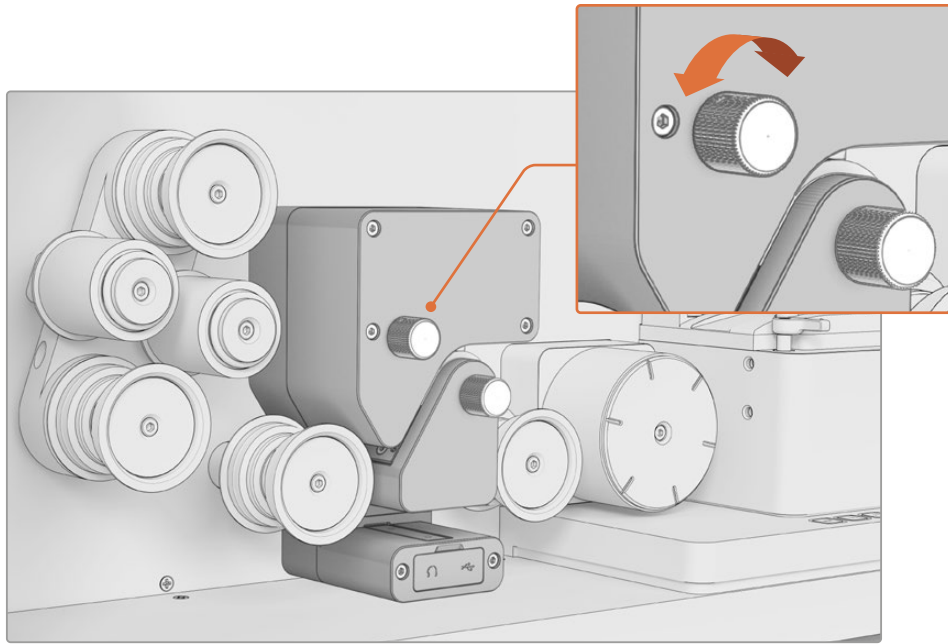


리더기 아랫 부분 고무 커버를 열면 Audio and KeyCode Reader의 헤드폰 잭이 있습니다.

HDMI와 헤드폰 잭을 통한 오디오 미리보기

필름 사운드트랙은 해당 이미지보다 여러 개의 프레임에 앞서 프린트되기 때문에 Cintel Scanner에서 자동으로 오디오를 지연시키며, 그 결과 HDMI 출력을 통해 동기화된 영상이 출력되어 스캔된 클립 또한 동기화됩니다.

헤드폰 잭은 동기화되지 않은 오디오가 사운드트랙에서 직접 실시간으로 출력됩니다. 그러므로 트래킹 노브를 조절하면 지연 현상이 없는 오디오를 바로 들을 수 있습니다.



트래킹 노브를 회전하면 오디오 헤드의 위치가 움직이므로 광학 오디오 스캔의 품질을 높일 수 있습니다.

광학 오디오 캡처 시 사용하는 리더기의 필름 롤러가 안돌아갈 경우, LED 불빛이 약해집니다. 리더기는 스캐너 상태와 연동되므로 스캐너가 절전 모드에 들어가면 리더기 또한 절전 모드로 전환됩니다.

마그네틱 오디오 트래킹하기

Audio and KeyCode Reader의 마그네틱 오디오 헤드는 공장 출고 시 미리 설정되어 있으므로 따로 조절이 필요하지 않습니다. 마그네틱 오디오 성질상 약간 겹치는 부분이 있어도 마그네틱 정보가 없으므로 왜곡 현상을 일으키지 않습니다. 일반적으로 프리트 과정에서도 마그네틱 사운드트랙 배치에는 커다란 차이가 없으며, 리더기의 마그네틱 헤드 크기가 약간 커서 정렬 오류를 줄여줍니다.

고급 트래킹 기능

위에서 설명한 트래킹 노브 조절 기능외에 다음과 같은 기능 또한 지원합니다.

- 마그네틱 오디오 방위각 조절과 트래킹 조절
- 광학 오디오 방위각 조절
- 광학 오디오 포커스 조절

대부분의 사용자는 이러한 조절을 하지 않아도됩니다. 고급 조절 기능에 대한 더욱 자세한 정보는 Blackmagic 고객 지원센터(<http://www.blackmagicdesign.com/kr/support>)에서 확인하실 수 있습니다.

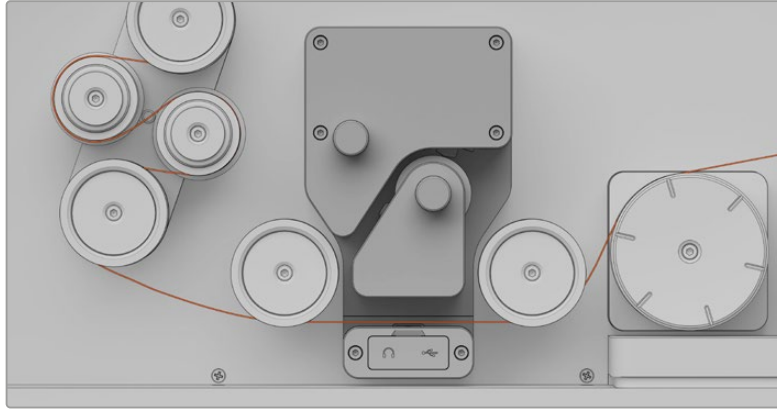
스캔 시작하기

오디오 유형을 설정하고 오디오 트래킹 조절이 완료되면 [필름의 한 부분 또는 여러 부분 스캐닝하기] 부분에 설명되어 있는 대로 스캔을 시작하세요.

DaVinci Resolve는 스캐너에서 전송되는 오디오와 비디오 정보가 동기화되기 전까지 파일에 쓰기 작업에 시작하지 않는다는 점을 기억하세요. 오디오 정보는 해당 프레임보다 몇 프레임 앞서 프린트되기 때문에 실제로 스캔되는 속도와 스캔한 장면이 화면에 나타나기까지 1초 정도 지연됩니다.

키코드 읽기

키코드 데이터 스캔을 위한 필름 연결 방식은 리더기를 장착하는 것 빼고는 모두 같습니다. 필름은 롤러 사이를 지나 스킵드 플레이트로 통과되므로 키코드 리더기를 자연스럽게 통과하게 됩니다. 아래 그림은 필름이 올바르게 연결된 모습입니다.

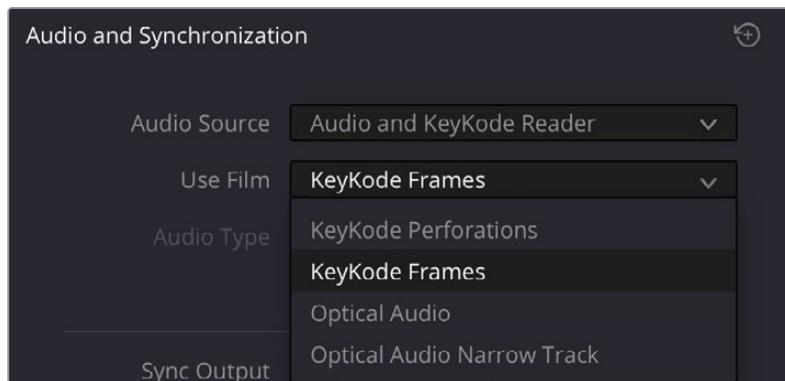


키코드 데이터를 스캔하려면 Audio and KeyCode Reader 아랫부분을 통해 필름을 연결합니다.

참고 키코드 정보 캡처 시 필름의 키코드 부분이 LED 위를 지나가는지 반드시 확인하세요.

키코드 스캔을 위한 리더기 설정

키코드 리더기를 통해 필름을 연결하고 장력을 알맞게 조절한 뒤, Cintel Scanner가 키코드 읽기를 실행하도록 설정되었는지 확인하세요. DaVinci Resolve의 필름 스캐너 패널로 들어가 'Use Film' 메뉴에서 'KeyCode Perforations' 또는 'KeyCode Frames'를 선택하세요. DPX 파일을 내보내기 할 경우, KeyCode 정보가 프레임 또는 퍼포레이션에 나타납니다.



'Use Film' 메뉴에서 음화 필름 프린트에 KeyCode 데이터를 스캔하기 위해 'KeyCode Perforations' 또는 'KeyCode Frames'를 선택하세요.

Use Film

이 설정에서 리더기의 KeyCode 기능 또는 오디오 리딩 기능을 결정합니다. 오디오 리딩 기능에 대한 자세한 정보는 [오디오 스캐닝을 위한 리더기 설정] 부분을 참고하세요.

KeyCode 리더기 설정 사항은 다음과 같습니다.

KeyCode Perforations

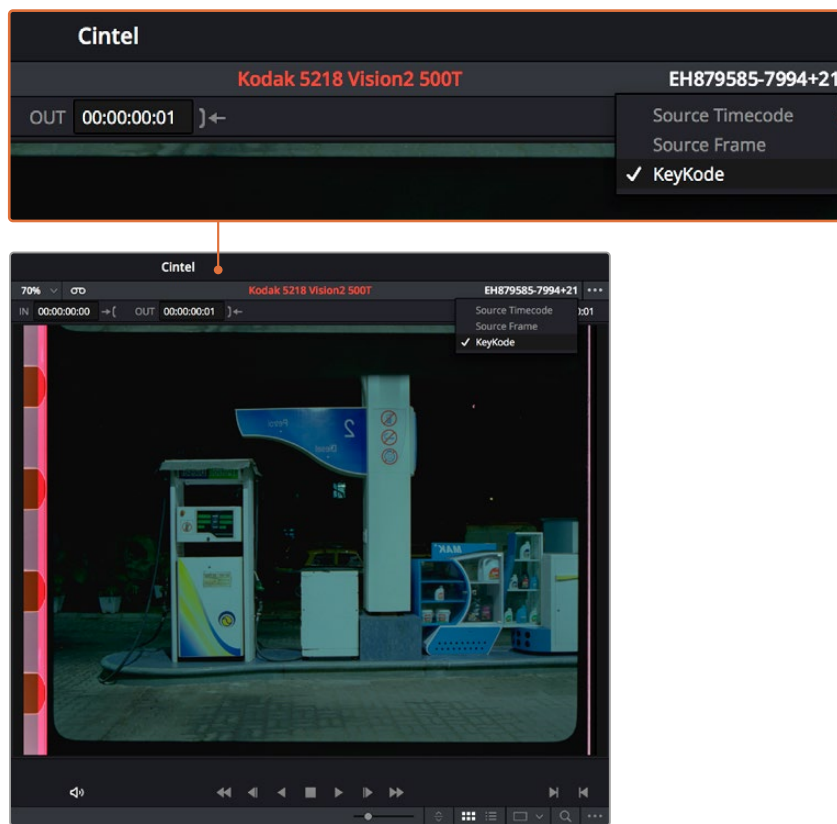
'KeyCode Perforations'을 선택하면 퍼포레이션 수에 기반하여 KeyCode를 녹화합니다.

KeyCode Frames

'KeyCode Frames'을 선택하면 필름 타입에 관계 없이 프레임 수에 기반하여 KeyCode를 녹화합니다.

리더기가 필름에 나타나는 모든 키코드 정보 스캔을 시작하고 각 클립에 해당 정보를 메타데이터로 저장합니다. DaVinci Resolve 필름 스캐너 패널의 뷰어 상단에 나타나는 키코드 메타데이터를 확인할 수도 있습니다.

이 정보를 확인하려면 뷰어 상단 우측에 있는 옵션 아이콘을 클릭한 다음 메뉴에서 'KeyCode'를 선택하세요.



화면 오른쪽 위에 있는 뷰어 옵션을 클릭하고 메뉴에서 'KeyCode'를 선택하면 뷰어에 키코드 데이터가 나타나도록 설정할 수 있습니다.

다음 부분에 자세히 설명되어 있듯이 키코드 정보는 주로 DPX DI에 포함시키기 위해 캡처되지만, 키코드 메타데이터는 다른 메타데이터와 마찬가지로 DaVinci Resolve의 편집 창과 컬러 창에서 사용할 수 있습니다.

키코드 메타데이터를 포함한 DPX 트랜스코딩하기

DaVinci Resolve에서 스캔한 영상을 모든 키코드 메타데이터를 유지한 DPX 파일 포맷으로 트랜스코딩하도록 설정할 수 있습니다.

스캔 영상을 DPX로 트랜스코딩하기

- 1 화면 상단에 있는 메뉴바에서 'File'을 클릭한 다음 'Media Management'를 선택하세요.

- 2 'Media Management' 창에서 모든 클립을 개별적으로 트랜스코딩하는 클립 아이콘을 선택한 뒤, 트랜스코드를 선택하세요.
- 3 저장하려는 폴더를 선택하고 'OK'를 클릭하면 미디어 목적지가 설정됩니다.
- 4 'Transcode All Media' 라디오 버튼을 활성화하면 타임라인에 있는 모든 미디어를 트랜스코딩할 수 있습니다.
- 5 비디오 설정에서 비디오 포맷을 DPX로 설정하고 원하는 코덱 설정을 선택하세요.
- 6 해상도는 자동으로 타임라인 해상도와 일치하도록 설정되지만, 다른 해상도로 트랜스코딩하려는 경우 이 설정을 변경할 수 있습니다. 'Render at Source Resolution' 확인란을 활성화하면 클립의 소스 해상도와 일치하도록 설정할 수도 있습니다.
- 7 오디오 설정에서는 DPX 파일에 포함하려는 오디오 채널 수를 선택하거나 'Same as Source'를 선택하여 소스 클립의 오디오와 일치시키세요. 원하는 오디오 비트 심도를 설정할 수도 있습니다. 화면 아래에 있는 DaVinci 아이콘으로 현재 사용 중인 미디어 크기와 DPX 파일로 트랜스코딩했을 때의 미디어 크기를 확인할 수 있습니다.
- 8 'Start'를 클릭하세요.

이제 타임라인에 있는 모든 클립은 임베딩된 키코드와 함께 DPX 파일에 트랜스코딩됩니다. Cintel RAW 파일을 다른 포맷으로 트랜스코딩하는 자세한 정보는 DaVinci Resolve 설명서의 미디어 관리 부분에서 확인하세요.

DaVinci Resolve의 딜리버리 페이지에서 DPX 파일을 익스포트하는 방식을 통해 Cintel RAW 파일을 임베딩된 키코드와 함께 DPX 파일로 렌더링할 수도 있습니다. 각각의 파일을 따로 익스포트하려면 Render 설정에서 'Individual Source Clips'를 선택하는 것을 잊지 마세요.

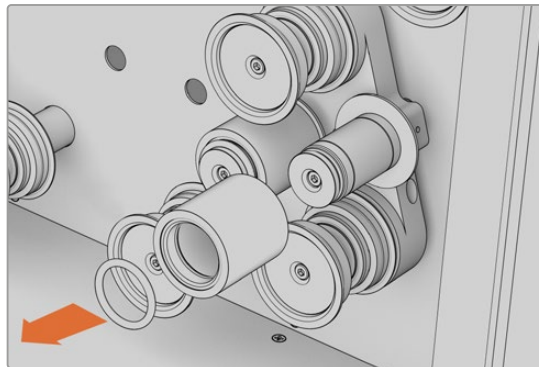
정비

최상 품질의 스캔을 위해서 스캐너를 깨끗하게 관리하는 것이 중요합니다. 정기적으로 필름세척롤러(PTR)를 세척하고 공기 분사식 먼지떨이를 사용해 딱딱한 고무 롤러와 드라이브 휠, 스키드 플레이트 등 스캐너 접촉 표면에 남은 먼지를 깨끗하게 제거하면 쉽게 관리할 수 있습니다.

필름세척롤러(PTR) 세척하기

필름세척롤러(PTR) 세척은 필름 스캔작업을 완료할 때마다 이루어져야 합니다. 필름세척롤러 가운데 양 끝에 있는 O링을 제거하여 롤러를 빼내세요. 가정용 주방 세정제를 사용한 미지근한 비눗물을 롤러에 묻힌 뒤, 공기가 잘 통하는 곳에 잘 말리세요. 수건이나 드라이어를 사용하면 롤러에 새로운 파티클이 생기거나 열로 인해 필름이 변경될 수 있으므로 사용이 권장되지 않습니다. 롤러가 다 마르면 롤러와 O링을 다시 장착하여 스캔 준비를 완료하세요.

PTR을 제거하거나 설치하기 힘들 경우, 실리콘 그리스를 O링 안쪽에 얇게 바르세요. 이렇게 하면 세척 시 롤러를 훨씬 쉽게 분리할 수 있습니다.



필름세척롤러를 청소하려면 롤러 중심부 양 옆에 있는 O링을 제거하여 분리하세요.

필름세척롤러를 세척한 후에도 접착력이 떨어지거나 시간이 지나면서 마모되어 사용이 어려운 경우, Blackmagic Design 웹사이트(www.blackmagicdesign.com/kr)에서 새로운 롤러를 구입하실 수 있습니다.

캡스톤 청소하기

필요에 따라 캡스톤을 청소할 수 있으며, 새로운 필름롤을 스캐닝하기 전에 청소하는 것이 가장 좋습니다. 사용 전에 캡스톤을 공기가 잘 통하는 곳에서 건조하세요.

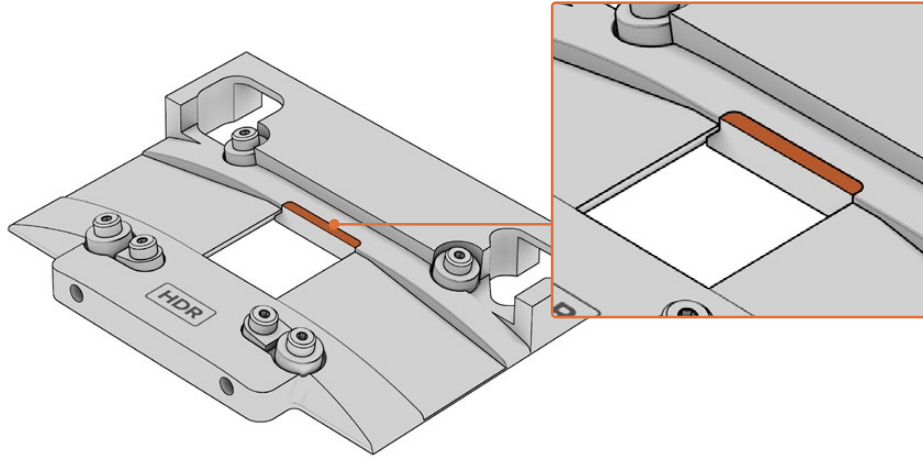
참고 캡스톤 주변의 전자 부품에 액체로 인한 손상이 발생하지 않도록 주의하세요. 보푸라기가 없는 천에 약간의 물만 적셔 사용하세요. 캡스톤 청소 시 어떠한 용액이나 스프레이도 사용하지 마세요.

먼지 제거

스캐너 먼지 제거 작업은 매일 해줘야 합니다. 공기 분사식 먼지떨이를 사용하여 스캐너 게이트 및 드라이브 휠 같은 모든 필름 접촉 부위에 있는 파티클을 모두 간단히 제거할 수 있습니다. 게이트를 제거하면 더욱 손쉽게 먼지를 제거할 수 있습니다.

먼지를 제거할 때 스캐너의 게이트에 있는 작은 플라스틱 충전재를 특히 신경 써서 청소하세요. 이곳에 먼지가 쌓이게 되면 안정적인 스캐너 작동에 영향을 줄 수 있으므로 가끔 젖은 천으로 닦아주는 것이 좋습니다.

8mm 게이트 옵션의 먼지를 제거할 경우, 먼지떨이나 보푸라기가 없는 천을 사용해 베어링 페이스와 조리개 서터를 청소하세요. 또한 베어링 포켓도 종종 청소해야 먼지가 지나치게 쌓이는 현상을 막을 수 있습니다.



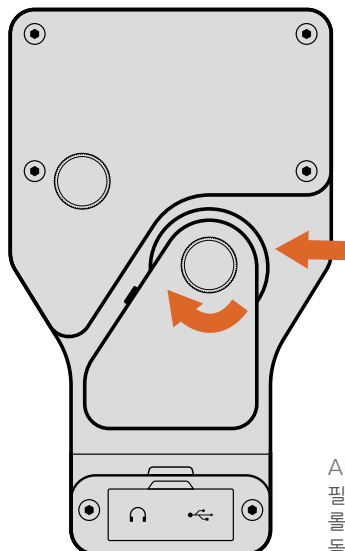
플라스틱 충전재를 더욱 신경 써서 먼지를 제거하세요.

간혹 스캐너의 RGB 광원을 위한 렌즈 세척이 필요할 수도 있습니다. 깨끗한 천에 소량의 이소프로필 알코올을 묻혀 렌즈를 청소하세요.

공기 분사식 먼지떨이와 이소프로필 알코올은 일반 전자제품 매장에서 구입할 수 있습니다.

Audio and KeyCode Reader의 롤러 청소하기

Audio and KeyCode Reader에는 리더기 윗부분 트랙을 통해 연결된 필름을 위한 고무 롤러가 있습니다. 가끔씩 젖은 천으로 이 롤러를 청소해야 합니다. 이 윗부분 트랙에 연결된 필름을 간단히 제거하고 젖은 천을 롤러에 대고 클리닝 롤러를 돌리면서 먼지를 제거하세요.

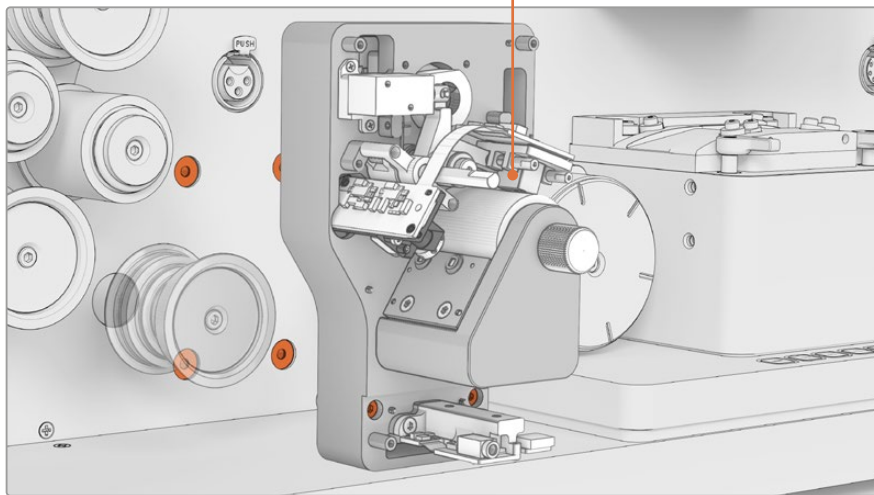
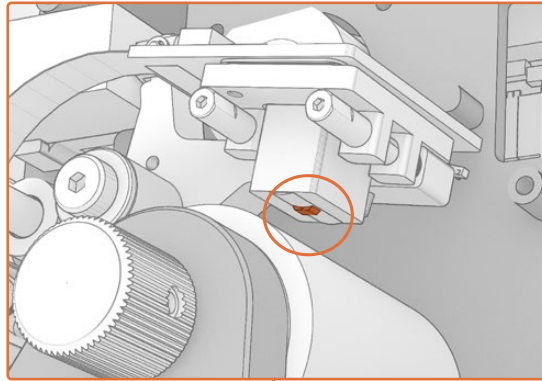


Audio and KeyCode Reader 필름 롤러를 청소하려면, 젖은 천을 롤러 표면에 대고 롤러 노브를 돌리면서 먼지를 닦아내세요.

오직 물만 사용하여 Audio and KeyCode Reader의 롤러와 마그네틱 헤드 부분을 청소할 것을 권장합니다. 알코올과 크실렌 및 기타 화학물질을 사용할 필요가 없으며, 이를 사용할 시 리더기 부품이 손상될 수 있습니다.

Audio and KeyCode Reader의 마그네틱 오디오 헤드 청소하기

가끔 Audio and KeyCode Reader의 마그네틱 헤드 청소가 필요할 수 있습니다. 마그네틱 헤드를 청소할 수 있도록 2.5mm 육각 렌치로 M3 나사 4개를 제거해 리더기 윗부분 커버를 제거하세요.



Audio and KeyCode Reader의 윗부분 커버를 제거하면 마그네틱 헤드가 나타납니다.

면봉을 물에 살짝 적시고 흔들어 물기를 제거한 뒤, 마그네틱 헤드 표면을 부드럽게 문질러 먼지를 제거하세요. 마그네틱 헤드부분이 완전히 마를때 까지 몇 분 두고 리더기의 커버를 다시 설치하세요.

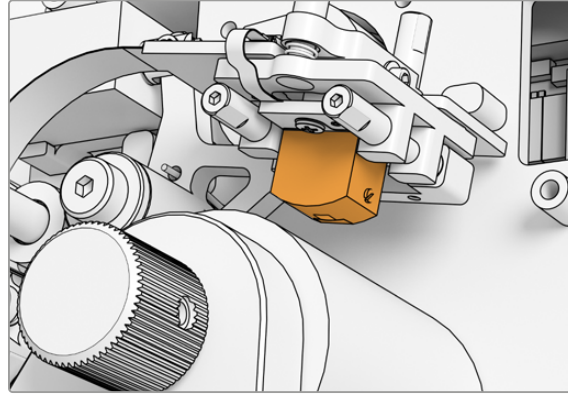
자기 헤드는 자성이 제거되어 공장 출고되므로 자성 제거가 따로 필요하지 않습니다.

Cintel Scanner용 부품

주요 Cintel Scanner 부품은 인근 Blackmagic Design 지원 사무실에서 구할 수 있습니다. Cintel Scanner 정비는 매우 쉽고 간단하지만 필요할 경우, 인근 판매점에서 설명서를 얻을 수 있습니다.

마그네틱 헤드 교체하기

마그네틱 필름 스트립이 Cintel Audio and KeyCode Reader의 테이프 헤드 위로 지나가기 때문에 표면이 점차 연마되면서 헤드 갭이 마모되어 오디오 품질이 떨어지게 됩니다. 마그네틱 헤드는 사용 빈도에 따라 2~3년에 한 번씩 교체하는 것이 좋습니다.



참고 Cintel Scanner Magnetic Head는 두 가지 버전으로 제공됩니다.

마그네틱 헤드 버전 1

이 버전의 마그네틱 헤드는 더 이상 지원되지 않으며, 시리얼 넘버 6943522 이전의 구형 Audio and KeyCode Reader에 장착되어 있습니다.

마그네틱 헤드 버전 2

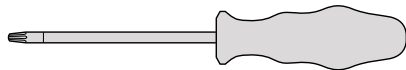
최신 버전의 마그네틱 헤드로, 시리얼 넘버 6943522 이후의 Audio and KeyCode Reader에 장착되어 있습니다.

Audio and KeyCode Reader에 버전 2 마그네틱 헤드가 설치되어 있는 경우, 사용 설명서에 나온 이 부분을 참고해 마그네틱 헤드를 교체하세요.

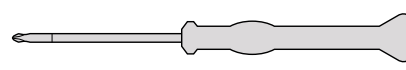
버전 1 마그네틱 헤드가 설치되어 있는 경우엔 버전 2 모델로 업그레이드하세요. 해당 업그레이드는 작업이 좀 더 복잡하며 추가 부품과 난이도가 높은 기술을 필요로 합니다. 더 자세한 정보는 'Cintel Audio and KeyCode Reader V2 Upgrade Procedure' 문서를 참고하세요. 아니면 판매점에서 마그네틱 헤드를 업그레이드할 수 있습니다. 업그레이드 관련 문서를 다운로드하거나 지원 정보를 확인하려 www.blackmagicdesign.com/kr/support를 방문하세요. 일단 업그레이드하고 나면 서비스 절차는 버전 2 마그네틱 헤드와 동일합니다.

필요한 도구

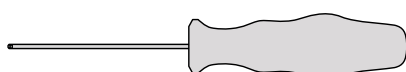
필요한 도구 목록은 다음과 같습니다.



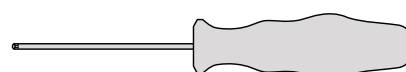
T10 드라이버



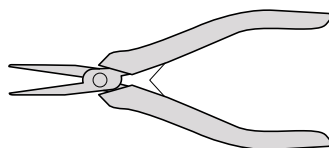
PH 00 드라이버



육각 1.5 x 60 드라이버



육각 2.5 mm 드라이버



작은 핀셋이나 펜치

참고 마그네틱 헤드의 자성을 없애지 않고도 최적의 성능을 얻을 수 있도록 자성이 없는 도구를 사용하세요.

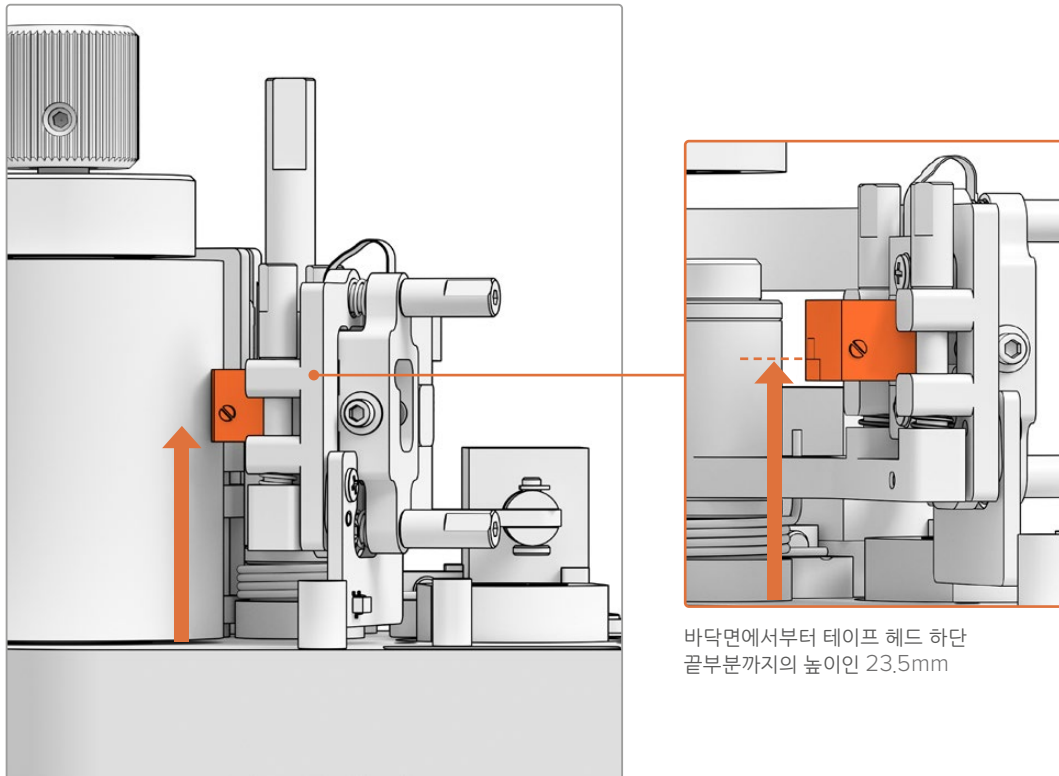
업데이트를 시작하기 전에

최적의 Audio and KeyCode Reader 성능을 얻을 수 있도록 헤드를 교체하기 전에 레퍼런스 오디오를 캡처해 업데이트 전과 후의 오디오 품질을 비교해 보세요.

다음은 레퍼런스 오디오에 사용하기 좋은 레퍼런스 필름 유형입니다.

- S16mm Bezugs BF16-10A DIN 15638 25fps 다중 주파수 마그네틱 테스트 필름.
- S16mm SepMag 필름.
- S16mm Leader, White.
- S16mm ComOpt SMPTE P16MF 다중 주파수.
- S35mm ComOpt SMPTE P35MF 다중 주파수.
- 적합한 사용자 레퍼런스 자기 코팅 ComMag 필름.
- 적합한 사용자 레퍼런스 광학 방식 ComOpt 필름.

마그네틱 헤드의 위치를 표시해 두세요. 이는 업데이트 이후 리더기 재조립 시 트래킹 확인 과정에서 필요한 정보입니다. 리더기 바닥면에서부터 마그네틱 헤드 접촉면 끝부분까지 측정해야 합니다. 대략 23.5mm 정도가 가장 이상적입니다.

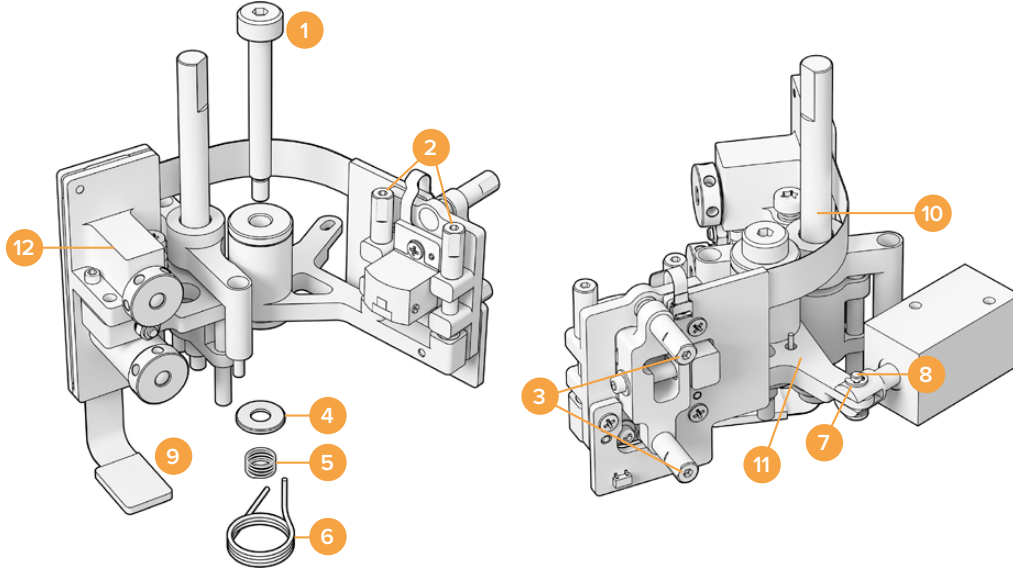


리더기 바닥면에서부터 측정한 마그네틱 헤드 높이

트래킹 확인을 마치고 나면 스캐너에서 리더기를 분리할 수 있습니다. 자세한 방법은 본 설명서의 [Audio and KeyCode Reader 장착하기] 부분을 참고하세요.

마그네틱 헤드 PCB 교체하기

마그네틱 헤드 교체 작업을 시작하기 전에 마그네틱 헤드의 하위 부품 구조에 익숙해질 수 있도록 아래 그림을 참고하세요.

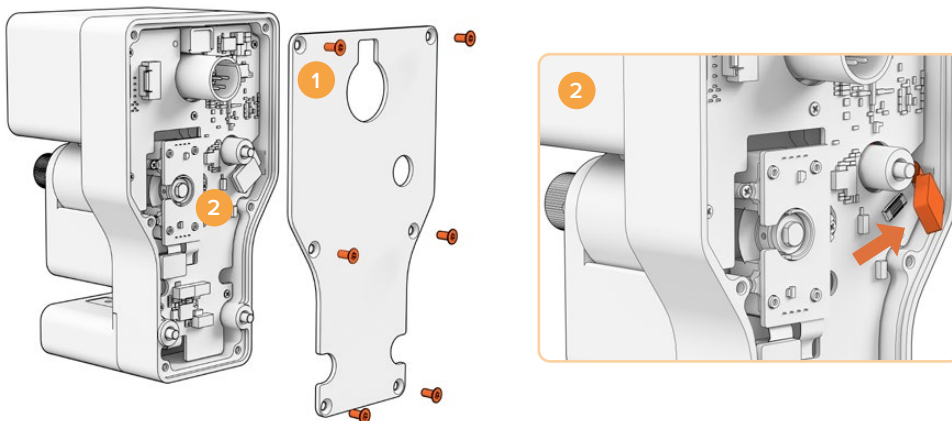


마그네틱 헤드 하위 어셈블리 조립도

- | | |
|--------------------------|-----------------|
| 1 솔더 나사 M3 | 7 E 클립 |
| 2 A1 및 A2 방위각 나사(수직 조절용) | 8 클레비스 핀 |
| 3 B1 및 B2 제니스(틸트 조절용) | 9 오디오 암 PCB 커넥터 |
| 4 코일 스프링 리테이너 | 10 높이 조절 마운트 |
| 5 프리로드 스프링 | 11 마그네틱 헤드 암 |
| 6 마그네틱 헤드 암 스프링 | 12 광학 모듈 |

Audio and KeyCode Reader 부품에 익숙해지고 필요한 모든 도구 준비를 마치고 나면 마그네틱 헤드 교체 작업을 시작할 수 있습니다.

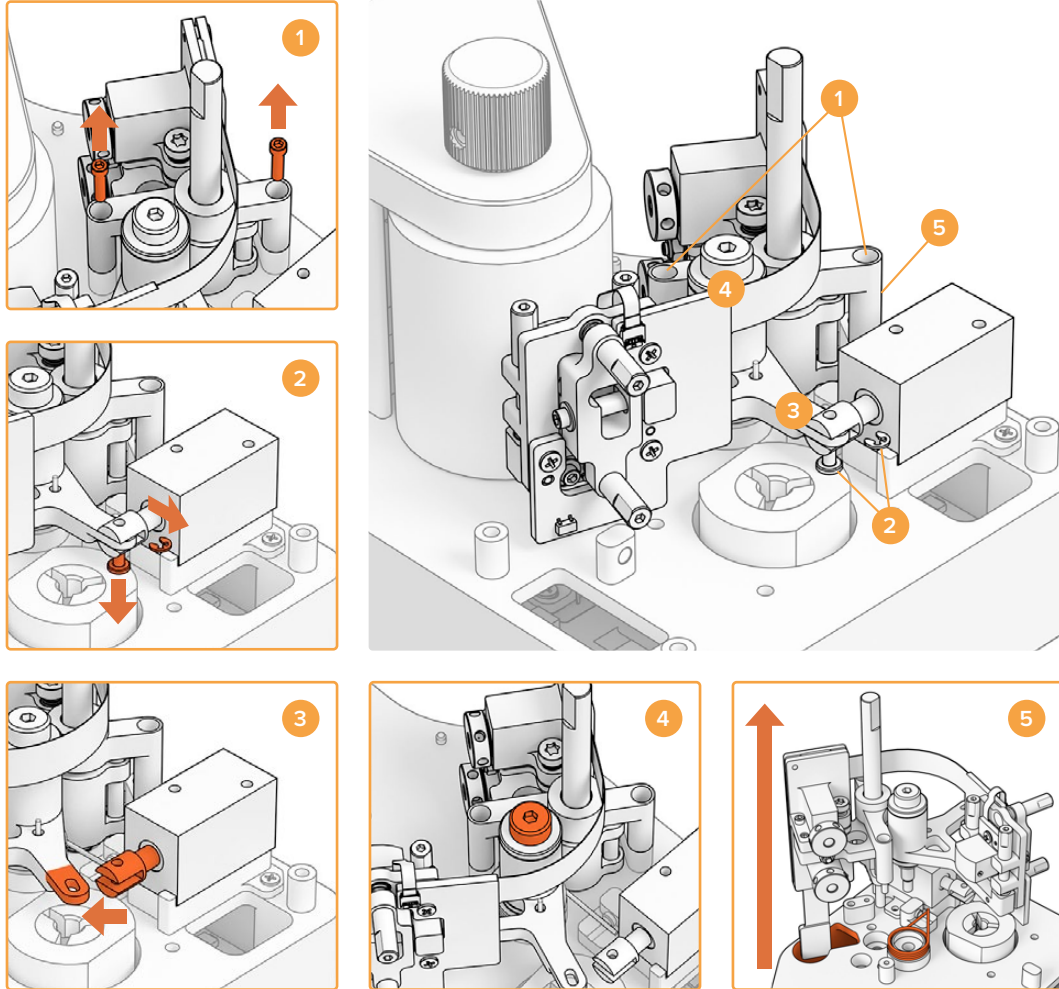
리더기 백플레이트 제거하기



1. 백플레이트 제거 2. 하위 부품 분리

- 1 메인 PCB의 뒷면에 접근하려면 먼저 뒷면 커버를 제거해야 합니다. T10 드라이버를 사용해 6개의 카운터싱크 M3 Torx 나사를 풀고 커버를 제거하세요.
- 2 리더기 뒷면에 있는 커넥터 래치를 열어 하위 부품 어셈블리를 메인 PCB로부터 분리하세요.

하위 부품 어셈블리 제거하기



1. 높이 조절 나사 제거 2. 솔레노이드 E 클립 및 클레비스 핀
3. 마그네틱 헤드 암 분리 4. M3 솔더 나사 5. 하위 부품 제거

- 1 리더기 뒷면을 바닥에 살며시 내려놓으세요. 육각 1.5 드라이버를 사용하여 양쪽 높이 조절 마운트에 있는 2개의 M2 소켓 헤드 나사를 제거하세요.
- 2 작은 핀셋이나 펜치 한 쌍을 사용해 E 클립을 조심스럽게 제거하세요. 이렇게 하면 클레비스 핀을 뽑아 솔레노이드로부터 암을 분리할 수 있습니다.

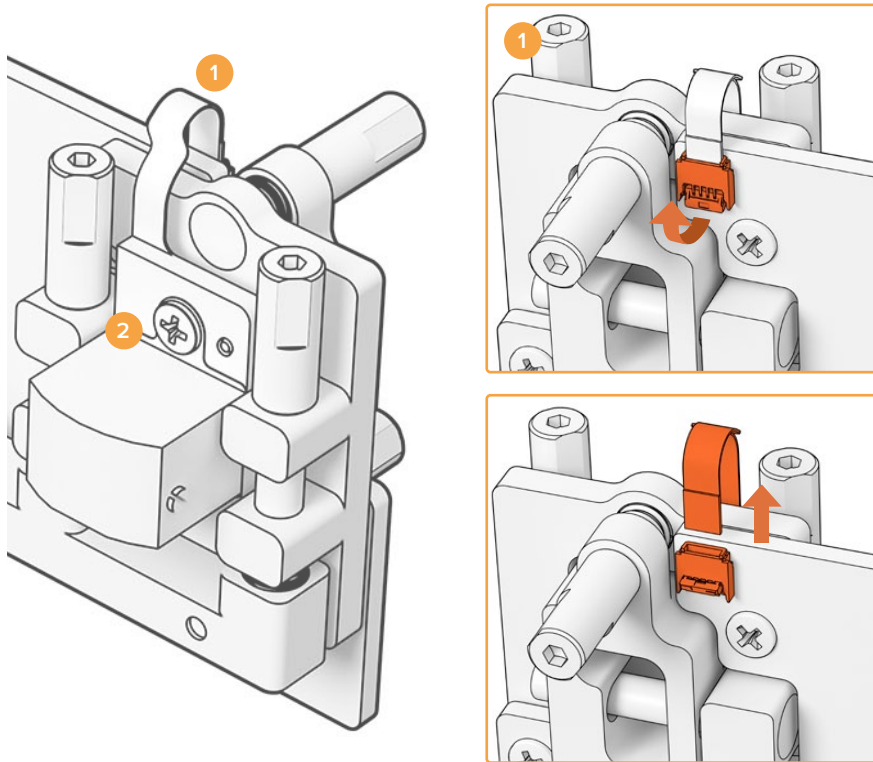
정보 핀을 제대로 제거하려면, 콜릿 너트와 솔레노이드 사이의 공간을 통해 핀이 이동할 수 있을 때까지 오디오 암을 흔드세요. XLR 커넥터 뒤면에 장착된 콜릿 너트는 케이블을 고정하는 역할을 합니다.

- 3 마그네틱 헤드를 옆으로 잡아당기면 하위 부품 어셈블리가 솔레노이드로부터 분리됩니다.
- 4 2.5mm 육각 드라이버를 사용해 M3 솔더 나사를 제거하세요.

- 리더기로부터 하위 부품 어셈블리를 조심스럽게 잡아당겨 오디오 암의 PCB 커넥터가 메인 PCB의 구멍을 통과할 수 있도록 하세요. 이 과정에서 마그네틱 헤드 암 스프링이 분리될 수 있습니다. 하위 부품 어셈블리를 재조립할 때까지 해당 부품을 잘 보관하세요.

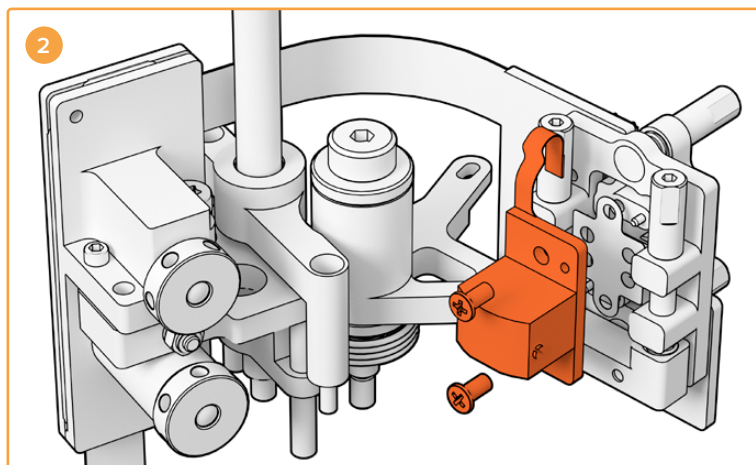
코일 스프링 리테이너와 프리로드 스프링을 솔더 나사로부터 분리하고 마그네틱 헤드 암 스프링을 마운팅 소켓으로부터 분리하세요.

마그네틱 헤드 제거하기



1. PCB 커넥터 래치 2. 마그네틱 헤드 분리

- 오디오 암 PCB 뒤편에 있는 래치를 들어 올려 마그네틱 헤드의 플렉스 PCB를 분리하세요. 분리하고 나면 플렉스 PCB를 잡아당기세요.

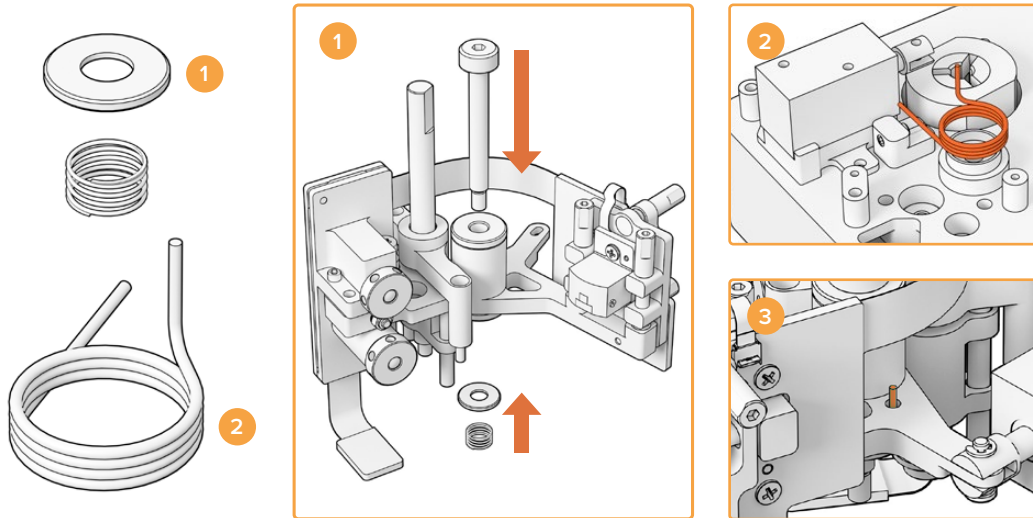


- PH00 드라이버를 사용해 2개의 M2 팬 헤드 나사를 풀면 기존 마그네틱 헤드 PCB를 마그네틱 방위각 마운트로부터 분리할 수 있습니다. 이제 기존의 구형 마그네틱 헤드 PCB 제거하세요.

새로운 마그네틱 헤드를 장착하려면, 마그네틱 헤드를 분해한 역순으로 작업하세요.

하위 부품 어셈블리 재조립하기

마그네틱 헤드를 교체하고 나면, 하위 부품 어셈블리를 Audio and KeyCode Reader에 재조립 및 장착하는 작업을 진행할 수 있습니다.



1. 코일 스프링 리테이너 및 프리로드 스프링 2. 마그네틱 헤드 암 스프링
3. 마그네틱 암 스프링을 오디오 암에 삽입하세요.

- 1 코일 스프링 리테이너를 M3 나사에 끼우세요. 이때 나사의 톱니 부분이 아래를 향하게 해야 합니다. 그런 다음 프리로드 스프링을 M3 나사에 끼우세요.
- 2 마그네틱 헤드 암 스프링을 마운팅 소켓 위에 올려주세요.
- 3 오디오 암에는 위쪽을 향하는 마그네틱 헤드 암 스프링 끝부분을 위한 작은 구멍이 뚫려 있습니다. 하위 부품 어셈블리 설치 시 이 위쪽을 향하는 스프링 끝부분을 구멍에 삽입하세요.
- 4 이들 스프링을 하위 부품 어셈블리 및 마운팅 소켓 위에 올려두고 나면 이제 하위 부품 어셈블리를 리더기에 장착할 수 있습니다. 이전 단계의 역순으로 조립하기만 하면 됩니다.

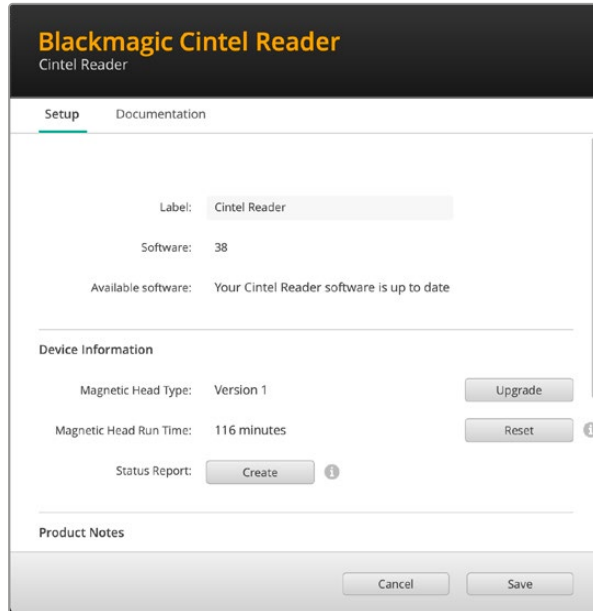
정보 하위 부품 어셈블리를 리더기에 장착할 경우, 오디오 암 PCB 커넥터가 메인 PCB의 작은 구멍을 통해 잘 끼워져 있는지 확인하세요.

하위 부품 어셈블리 장착을 마치고 나면 Audio and KeyCode Reader를 Cintel Scanner에 다시 장착할 수 있습니다. 리더기를 Cintel의 XLR 포트에 연결한 다음 3개의 M3 캡티브 나사를 사용해 고정하세요.

보정 및 테스트 과정에서 부품에 접속할 필요가 있기 때문에 리더기의 전면 커버는 아직 장착하지 않는 것이 좋습니다.

마그네틱 헤드 런타임 초기화

Audio and KeyCode Reader의 마그네틱 헤드를 교체하고 나면, Cintel Setup 유틸리티를 사용해 런타임 카운터를 초기화해야 합니다.



‘Device Information’ 섹션에서 ‘Reset’이라고 표기된 버튼을 클릭하세요. 이후 런타임 카운터가 초기화되어 새로운 마그네틱 헤드의 사용 시간을 모니터링할 수 있으며, 추후 교체 시기도 확인할 수 있습니다.

Cintel Setup 유틸리티의 ‘Upgrade’ 버튼은 마그네틱 리더기를 버전 1에서 버전 2로 업그레이드한 경우에만 사용하세요. 더 자세한 정보는 www.blackmagicdesign.com/kr/support에서 확인하세요.

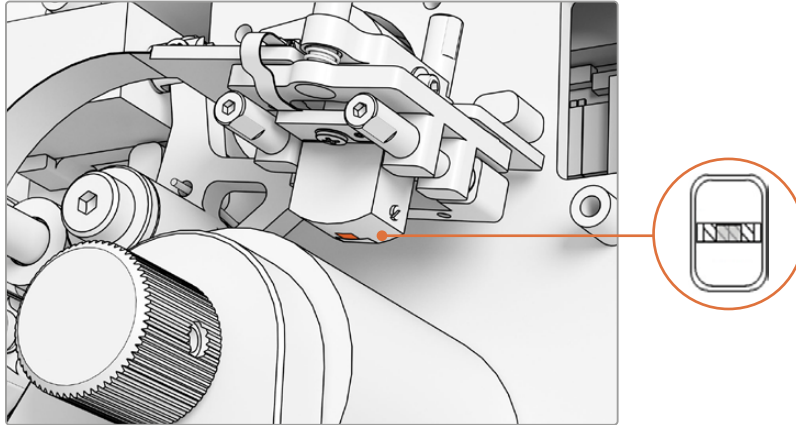
헤드 정렬 확인하기

고품질의 오디오를 녹음하고 마그네틱 헤드의 편마모를 최소화하려면 마그네틱 헤드를 올바르게 정렬해야 합니다.

DaVinci Resolve로 적합한 광학 및 마그네틱 오디오 파일을 캡처해 원본 데이터 파일과 비교해 보세요. 다음의 레퍼런스 파일을 사용하여 업데이트된 마그네틱 헤드 성능을 테스트해 보는 것이 좋습니다.

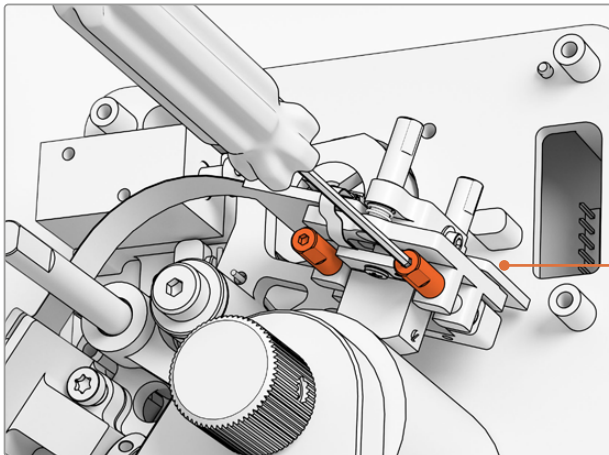
- S16mm Bezugs BF16-10A DIN 15638 25fps 다중 주파수 마그네틱 테스트 필름.
- S16mm SepMag 필름.
- S16mm Leader, White.
- S16mm ComOpt SMPTE P16MF 다중 주파수.
- S35mm ComOpt SMPTE P35MF 다중 주파수.
- 적합한 사용자 레퍼런스 자기 코팅 ComMag 필름 및 광학 방식 ComOpt 필름.

마그네틱 헤드

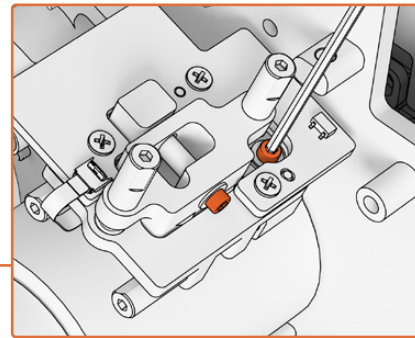


Audio and KeyCode Reader의 마그네틱 오디오 헤드 내부 모습

마그네틱 헤드의 위치 및 각도를 조절할 경우, 요/제니스/트래킹 높이/방위각에 신경 쓰세요. 1.5 x 60 육각 드라이버를 사용해 A1/A2 나사의 방위각 및 트래킹을 조절하고, 필요시 B1/B2 나사의 제니스 및 요를 조절하세요.



마그네틱 헤드의 방위각은 1.5mm SW 드라이버로 A1/A2 나사를 돌려 조절하세요



방위각 및 제니스의 피봇 포인트 장력을 느슨하게 하려면, 마그네틱 헤드 PCB의 상단 및 측면에 있는 각각의 M.2 x 8 소켓 패치 나사를 조금 풀어주세요

마모 패턴 확인하기

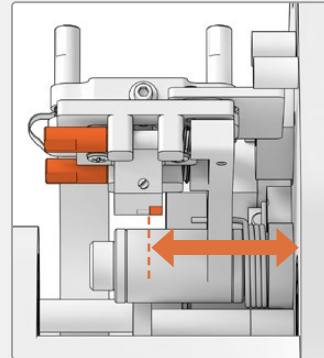
- 1 마커 펜을 사용해 테이프 헤드 페이스에 표시하세요.
- 2 16mm 리더기를 사용해 필름을 3~5초간 감으세요.
- 3 헤드 마모 패턴을 확인해 헤드 갭의 양측 면이 균형 있게 마모될 수 있도록 하고 필요에 따라 조정을 수행하세요. 테스트를 여러 번 실행할 경우, 마커로 여러 번 표시하세요.
- 4 결과가 만족스러울 경우, 지저분해 보이는 마커 표시를 알코올로 제거하세요.



정렬이 제대로 되어야 균형 잡힌 마모 패턴을 얻을 수 있습니다.

트래킹

수평 방위각 A1/A2 나사를 사용하여 헤드와 16mm SepMag 트랙과 물리적으로 정렬될 수 있도록 하세요. 조립하기 전에 측정된 대로 마그네틱 헤드 페이스와 리더기 하단 간의 거리가 대략 23.5mm 정도 떨어질 수 있도록 해야 합니다. 모든 조절 나사에는 스프링이 달려 있고 그리스가 등쪽 발라져 있기 때문에 토크를 가할 필요가 없습니다.

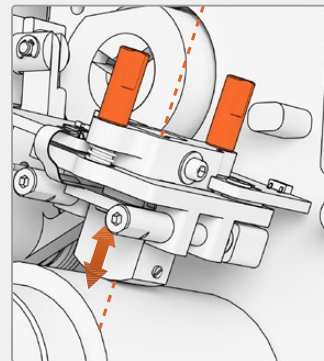


높이

마그네틱 헤드의 높이를 조절하려면, 수직 B1/B2 나사를 동일한 정도로 돌려주세요. 필름 정렬과 관련하여 헤드의 높이를 검사하세요. 이를 통해 마모 패턴이 마그네틱 헤드의 갭 중앙에 생기는지 확인할 수 있습니다.

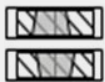


높이가 정확하지 않으면 편마모가 발생합니다.

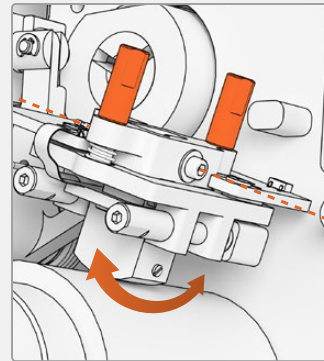


제니스

틸트로도 알려진 제니스(Zenith)를 조절하려면, 수직 B1/B2 나사를 개별적으로 돌려주세요. 필름 정렬과 관련하여 헤드의 접선 각도를 검사하세요. 이를 통해 갭에 접촉해서 생기는 마모가 균일한지 확인할 수 있습니다.



제니스가 정확하지 않으면 편마모가 발생합니다.

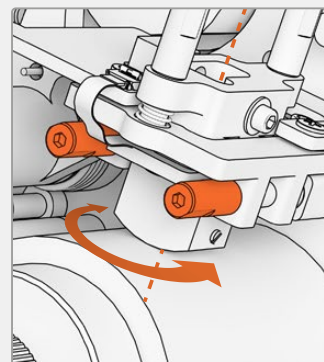


방위각

방위각 조절을 위한 수평 A1/A2 나사는 헤드의 수직 위치를 설정합니다. 방위각 A1/A2 나사를 조절해 신호 변조 및 위상 선형성을 최대화할 수 있습니다.

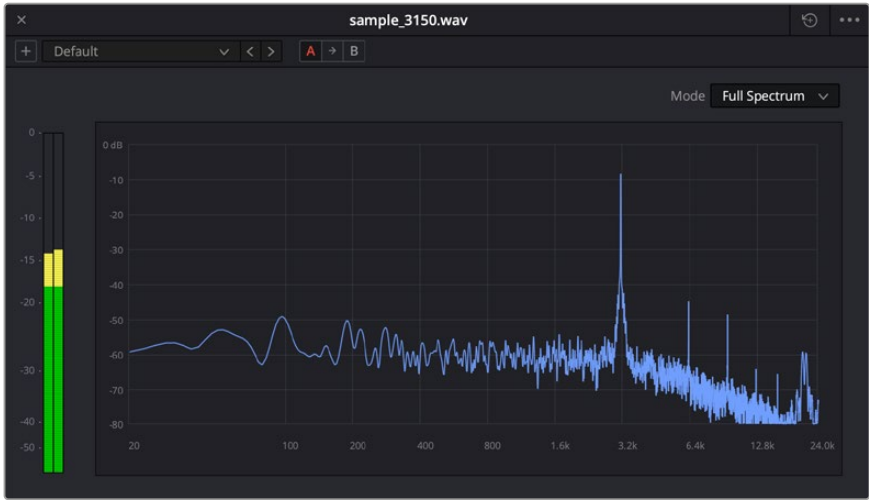


방위각이 정확하지 않으면 불균형한 마모 패턴과 조악한 주파수 반응이 발생합니다.



참고 새로운 마그네틱 헤드의 설정 및 성능이 만족스러울 경우, M.2 x 8 소켓 패치 나사를 돌려 방위각 및 제니스를 다시 잠그세요.

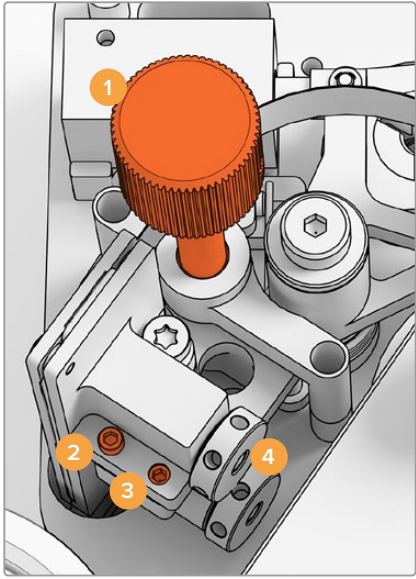
정보 가능한 높은 주파수의 톤 테스트 필름을 사용하세요. 10kHz 사용이 권장됩니다. Fairlight의 'Frequency Analyser' 도구 모음을 사용해 Resolve에서 .wav 파형 및 FFT를 캡처 및 검토하세요. 아니면 헤드폰 출력 포트를 통해 서드파티 실시간 분석 도구를 사용하거나 스캐너의 경우, Desktop Video 오디오 장치를 사용할 수 있습니다.



Frequency Analyser 3.15kHz W&F 트랙 예시

광학 블록 정렬 확인하기

광학 오디오 렌즈 정렬 상태를 확인해 광학 오디오 블록이 제대로 운영되고 있는지 점검하세요.



1. 트래킹 조절 노브 2. 방위각 조절 M2 나사
3. 방위각 잠금용 M3 나사 4. 광학 오디오 렌즈

트래킹 높이

트래킹 높이를 조절 노브를 조절해 광학 오디오 렌즈를 16mm 및 35mm 필름의 오디오 트랙에 맞춰 정렬하세요. 렌즈가 다른 트랙을 클리핑하지 않고 개별 오디오 트랙을 제대로 커버하는지 확인하세요. 광학 방식 ComOpt 필름을 캡처하고 DaVinci Resolve의 Fairlight 페이지에서 'Frequency Analyser' 도구를 사용해 파형 및 FFT를 검토해 음향 강도를 측정할 수 있습니다. 아니면 헤드폰 출력 포트를 통해 서드파티 실시간 분석 도구를 사용하거나 스캐너의 경우, Desktop Video 오디오 장치를 사용할 수 있습니다.

방위각

광학 블록의 방위각은 공장 출하 시 미리 정해져 있습니다. 다음의 방법은 어쩔 수 없이 방위각을 조절해야 할 상황에만 사용하세요.

- 1 1.5mm 육각 드라이버를 사용해 방위각 잠금 M3 나사를 푸세요.
- 2 고주파수 스테레오 35mm 테스트 톤 필름을 사용할 경우, 방위각 M2 조절 나사를 돌려 좌/우 오디오 채널이 정렬 및 일치되도록 하세요.
- 3 결과가 만족스럽다면 방위각 잠금 나사를 잠가 방위각을 설정하세요.

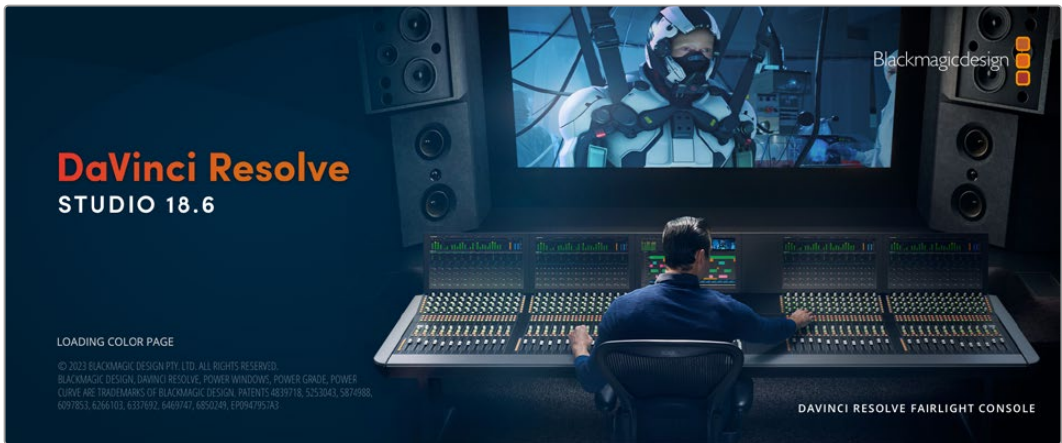
참고 종종 방위각 잠금 나사를 잠그면 방위각 설정이 약간 영향을 받기도 합니다. 이런 상황이 발생할 경우, 위의 단계를 반복하면 됩니다.

마그네틱 헤드 및 광학 오디오 블록 보정 작업이 완료되면, 전면 커버를 장착하고 육각 2.5mm 드라이버를 사용해 4개의 M3 캡티브 나사를 조이세요. 커버를 고정하고 나면 1.5mm 육각 드라이버를 사용해 조정 노브를 다시 장착할 수 있습니다.

DaVinci Resolve 사용하기

DaVinci Resolve의 미디어 페이지에서 클론 도구를 사용하면 스캔 작업 동시에 미디어를 백업할 수 있습니다. 모든 종류의 미디어는 손상 및 결함 발생 위험이 있으므로, 미디어를 백업해 두면 스캐닝한 파일이 손실되는 위험을 방지할 수 있습니다. DaVinci Resolve를 사용해 미디어를 백업해두면, DaVinci Resolve 미디어 풀에 스캐닝한 클립을 추가한 다음 클립을 타임라인에 배열하고 편집과 색보정, 최종 작업을 마칠 수 있기 때문에 DaVinci Resolve 안에서 모든 작업을 처리할 수 있습니다.

정보 클립 썸네일 좌측 하단에 있는 HDR 아이콘을 통해 HDR 클립을 확인할 수 있습니다.



Cintel Scanner는 넓은 다이내믹 레인지를 지원하는 CRI RAW 이미지 포맷을 캡처하므로 DaVinci Resolve에서 원하는 종류의 샷을 모두 얻을 수 있습니다. 대부분의 주요 블록버스터 영화 제작에서 사용하는 DaVinci Resolve는 첨단 디지털 영화를 위한 최고 성능 기술을 탑재한 소프트웨어로, 일반 비선형 편집 소프트웨어와는 비교할 수 없을 만큼 그 성능이 강력합니다. 이러한 DaVinci Resolve의 최첨단 기술을 스캔 영상에 활용하여 편집과 색보정을 작업할 수 있습니다.

이 부분에는 DaVinci Resolve에서 스캔 파일을 사용하는 방법이 자세하게 기술되어 있습니다. DaVinci Resolve는 프로그램 실행 시 사용자가 처음 나타나는 사용자 화면에서 언뜻 보이는 것보다 훨씬 다양한 기능을 제공하는 최첨단 소프트웨어입니다. DaVinci Resolve에 대한 보다 자세한 정보는 Blackmagic 홈페이지의 DaVinci Resolve 설명서를 통해 확인하시기 바랍니다. 또한 홈페이지에서 다양한 트레이닝 코스 및 튜토리얼 영상을 확인할 수 있습니다.

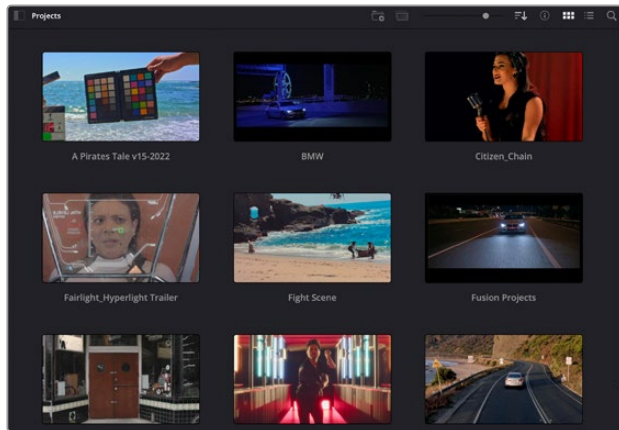
프로젝트 매니저

클립을 불러와 편집을 시작하기 전 프로젝트 매니저를 사용하여 새로운 프로젝트를 만들어야 합니다.

DaVinci Resolve를 실행하면 첫 화면에서 프로젝트 매니저를 확인할 수 있습니다. 후에 언제든지 사용자 인터페이스의 오른쪽 하단의 홈 아이콘을 클릭하여 프로젝트 매니저를 다시 열 수 있습니다. 이 아이콘은 이전 프로젝트를 열고 싶을 때나 새로운 프로젝트를 더 만들고 싶을 때 유용합니다.

새로운 프로젝트를 만들려면, 창 하단의 'New Project'를 클릭하고 프로젝트명을 정하세요. 'Create'를 클릭하세요.

컷 페이지를 사용하면 곧바로 편집을 시작할 수 있습니다. 프로젝트 매니저는 현재 사용자의 모든 프로젝트를 보여줍니다.



프로젝트 매니저는 현재 사용자의 모든 프로젝트를 보여줍니다.

프로젝트 매니저에 대한 자세한 정보는 Blackmagic Design 지원 온라인 페이지에 있는 DaVinci Resolve 설명서를 다운로드하여 확인할 수 있습니다.

컷 페이지를 사용하여 편집하기

컷 페이지는 보다 빠르고 역동적인 편집 워크플로를 제공하여 클립을 빠르게 모으고 다듬어 효과적으로 편집할 수 있습니다.

두 개의 활성화된 타임라인은 전체적 편집 및 세부 편집을 동시에 가능하게 합니다. 즉, 널찍한 타임라인 공간에서 원하는 클립을 원하는 곳으로 옮기고, 세부 타임라인에서는 보다 정교한 편집을 수행할 수 있습니다. 이 워크플로를 사용하면 스크롤, 확대 및 축소 작업 없이 노트북 컴퓨터에서도 편집이 가능하여 작업 시간을 획기적으로 단축할 수 있습니다.

컷 페이지 레이아웃

컷 페이지를 열면 미디어 풀 및, 뷰어 윈도우, 타임라인이 나타납니다. 이 세 창이 편집 작업 시 완벽한 제어 기능을 제공하는 주요 창입니다.



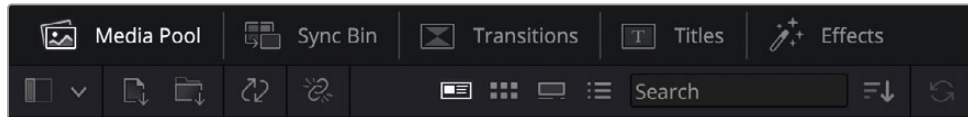
아이콘 모양의 미디어 풀이 있는 컷 페이지의 기본적인 작업 공간

컷 페이지에 대한 자세한 정보는 DaVinci Resolve 설명서의 [The Cut Page] 부분을 참고하세요.

미디어 탭

사용자 인터페이스의 왼쪽 상단에 다섯 개의 탭이 있습니다.

이 탭을 클릭하여 편집에 사용할 미디어 도구모음을 열어보세요. 첫 번째 탭은 미디어 풀(Media Pool) 탭으로, 이미 해당 탭이 선택되어 있는 것을 확인할 수 있습니다. 그 외 나머지는 동기화 빈(Sync Bin) 및 트랜지션(Transitions), 타이틀(Titles), 효과(Effects)입니다.



Media Pool

미디어 풀에는 미디어 페이지를 사용하여 불러오기 한 모든 클립 및 폴더, 파일이 담겨 있습니다. 컷 페이지에서 바로 이러한 파일들을 곧바로 불러오기 할 수 있으므로, 작업 시 클립을 더 불러오고 싶을 경우에 미디어 페이지로 되돌아갈 필요가 없습니다.

Sync Bin

이 강력한 기능은 모든 클립을 타임코드 및 날짜, 시각에 따라 자동으로 정렬하여, 멀티캠 영상 프로젝트를 편집 시 다양한 각도에서 촬영된 클립을 손쉽게 확인 및 선택할 수 있습니다.

Transitions

이 탭을 클릭하면 편집에 사용할 수 있는 모든 비디오 및 오디오 트랜지션을 확인할 수 있습니다. 대표적으로 크로스 디졸브 및 모션 와이프 등이 있습니다.

Titles

트랜지션 탭 옆에 타이틀 탭이 있습니다. 여기서 사용하고자 하는 타이틀을 선택할 수 있습니다. 예를 들어, 스크롤 및 일반 텍스트, 하단 3분의 1 그래픽 등을 사용할 수 있습니다. 또한, Fusion 템플릿 목록을 사용하여 보다 역동적인 애니메이션 타이틀을 사용할 수 있으며, Fusion 페이지에서 직접 변경하여 만들 수도 있습니다.

Effects

다섯 번째 탭은 '효과' 탭입니다. 이 탭은 편집에 생동감을 불어넣을 수 있는 다양한 종류의 필터 및 효과를 제공합니다. 대표적으로 사용자에게 맞게 조정 가능한 블러 및 글로우, 렌즈 효과가 있습니다. 이 외에도 수많은 강력한 효과들이 있는데, 검색창(Search)을 사용하면 보다 빠르게 원하는 효과를 찾을 수 있습니다.

정보 미디어 탭 근처에 있는 검색창을 사용하여 원하는 효과를 바로 찾아보세요. 예를 들어, 트랜지션 탭을 선택한 후 검색창에 'dissolve'를 입력하면 디졸브 관련 트랜지션만 나타나기 때문에, 그중에서 원하는 디졸브 트랜지션을 보다 빠르게 찾을 수 있습니다.




뷰어 탭

뷰어 창의 왼쪽 상단에는 뷰어 모드 버튼들이 있습니다.



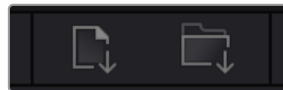
뷰어 모드 버튼

이 버튼들은 소스 클립 뷰어 및 소스 테이프 뷰어, 타임라인 뷰어로, 현재 사용되고 있는 뷰어 모드를 확인할 수 있습니다. 이 뷰어 모드들은 편집 과정에서 클립을 선택할 때 큰 도움을 주기 때문에, 각 버튼들이 어떤 기능을 하는지 살펴볼 필요가 있습니다.



	소스 클립	<p>소스 클립 뷰어는 미디어 풀에서 선택한 단일 클립을 보여주며 뷰어 타임라인을 따라 전체 길이를 훑고 인/아웃 포인트를 지정할 수 있습니다. 이 모드를 사용하면 매우 자유롭게 제어할 수 있습니다. 미디어 풀에서 확인하려는 소스 클립을 더블클릭하거나, 뷰어로 드래그 하세요.</p>
	소스 테이프	<p>미디어 풀에 담긴 전체 클립을 확인하는데 유용한 기능입니다. 이 강력한 기능은 전체 클립들을 빠르게 훑으면서 특정 부분을 찾고자 할 때 유용합니다. 클립에 놓여 있는 플레이헤드를 스크러빙하면, 미디어 풀에서 해당 클립의 썸네일이 선택되는 것을 확인할 수 있습니다. 즉, 편집하고자 하는 클립을 찾은 후, 소스 클립 탭을 클릭하면 해당 소스 클립이 자동으로 뷰어에 나타납니다.</p> <p>소스 테이프 뷰어를 통해 비선형 편집 작업의 장점을 최대한 이용할 수 있기 때문에, 자유롭게 편집하고 솜을 빠르게 찾을 수 있으며, 새로운 아이디어를 시도하면서 창의력을 마음껏 발휘할 수 있습니다.</p>
	타임라인	<p>타임라인 뷰어로 편집 타임라인을 볼 수 있으며 프로젝트를 재생하고 섬세하게 편집할 수 있습니다.</p>

미디어 풀로 클립 가져오기

이제, 원하는 미디어를 프로젝트로 가져와 보겠습니다. 이 작업은 컷 페이지의 미디어 풀 창 상단에 있는 가져오기 도구를 사용합니다.



두 가지 옵션 중 하나를 선택하여 원하는 미디어를 프로젝트로 가져오세요.

	미디어 가져오기	<p>저장 위치에서 개별적인 미디어 파일을 선택하여 가져올 때 사용합니다.</p>
	미디어 폴더 가져오기	<p>미디어 저장 위치에서 원하는 폴더를 가져올 때 사용합니다. DaVinci Resolve로 폴더를 가져올 경우, 파일의 구조가 그대로 유지되며, 각 폴더는 개별적인 bin으로 인식되기 때문에 bin을 이동하며 원하는 비디오 및 기타 미디어 파일을 찾을 수 있습니다.</p>

미디어 가져오기

- 1 'Import Media' 혹은 'Import Media Folder'를 클릭하세요.
- 2 미디어 스토리지에서 가져오고자 하는 미디어를 찾으세요.
- 3 찾은 파일 혹은 폴더를 선택한 후 'Open'을 클릭하세요.

미디어를 프로젝트로 추가했다면 이제 편집을 시작하면 됩니다. DaVinci Resolve는 '라이브 저장'이라 불리는 빠른 자동저장 기능을 지원합니다. 프로젝트를 저장하고 나면, 이 '라이브 저장' 기능을 통해 추후에 발생하는 수정사항 등이 자동으로 저장되어 작업 손실을 예방할 수 있습니다.

'라이브 저장' 기능 및 다른 자동 저장 기능에 대한 자세한 정보는 DaVinci Resolve 설명서를 참고해 주세요.

타임라인에 클립 추가하기

이제 미디어 탭 및 뷰어 모드 버튼에 익숙해졌다면, 미디어 풀에서 클립을 타임라인으로 빠르게 추가할 수 있습니다.



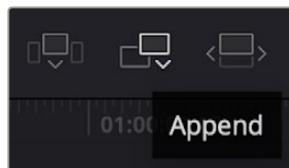
컷 페이지의 타임라인은 상부 타임라인 및 하단의 확대된 타임라인으로 구성됩니다.

편집을 위한 페이지인 타임라인은 여러 트랙으로 구성되어 여기에 클립을 붙이고, 옮기며 편집본을 다듬을 수 있습니다. 여러 개의 트랙을 사용하여 클립을 층층이 쌓아 다양한 편집본을 만들어 볼 수 있으며 트랜지션 및 효과도 트랙에 쌓을 수 있습니다. 예를 들어, 하나의 트랙 위에 있는 클립을 편집할 때, 그 외에 있는 다른 트랙들의 클립에는 영향을 전혀 주지 않습니다.

클립을 타임라인에 추가하는 방법에는 스마트 삽입(Smart Insert), 합치기(Append), 최상위 트랙에 두기(Place on Top) 등의 다양한 방법이 있습니다.

클립 합치기

여러 테이크를 선택하고 한 곳에 모을 시, 이 쏬들을 타임라인에 하나씩 이어 붙이고 싶을때가 있습니다. 클립 합치기는 이러한 때 완벽한 기능으로, 편집 속도가 매우 빨라집니다.



'클립 합치기' 아이콘(Append)을 클릭하여 마지막 클립 뒤에 여러 클립을 빠르게 이어 붙일 수 있습니다.

클립 합치기

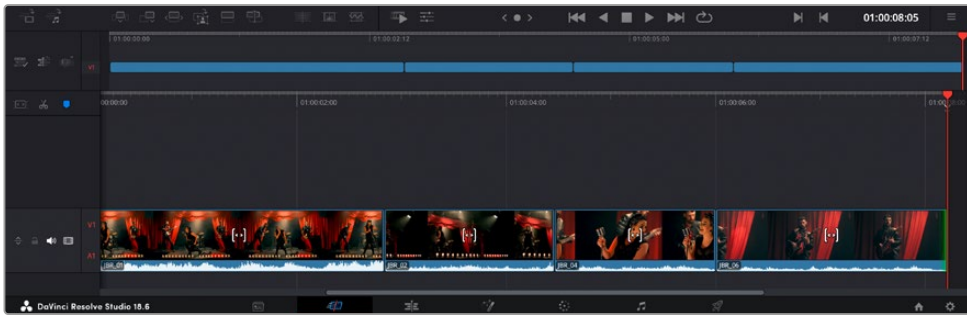
- 1 미디어 풀에 있는 클립을 더블 클릭하면 소스 뷰어에 해당 클립이 나타납니다.
- 2 스크래치 트리밍 도구를 사용하여 인/아웃 포인트를 드래그하면 쏬를 원하는 길이로 정확하게 조정할 수 있습니다. 인/아웃 포인트는 키보드 단축기를 사용하여 설정할 수도 있습니다. 인 포인트는 [I], 아웃 포인트는 [O] 키를 사용합니다.



3 인/아웃 포인트 설정 후, 미디어 풀 아래에 있는 ‘클립 합치기’ 아이콘을 클릭하세요.

첫 번째 클립이 타임라인의 앞부분에 놓여지게 됩니다.

앞의 세 순서를 반복하면 여러 개의 클립이 자동으로 합쳐지며, 타임라인에서 이 클립들 사이의 빈 간격이 없이 합쳐지게 됩니다.



클립 합치기는 타임라인의 클립들 사이에 빈 간격을 만들지 않고 클립을 합칩니다.

정보 ‘클립 합치기’ 아이콘을 단축키로 설정하면 위의 과정을 보다 빠르게 진행할 수 있습니다. 예를 들어, 영문 [P]를 ‘클립 합치기’ 단축키로 지정해 놓으면, 단축키 [J] 및 [O]를 사용해 인/아웃 포인트를 설정한 다음, [P] 단축키를 눌러 클립을 합칠 수 있습니다. 단축키 지정 방법에 관한 자세한 정보는 DaVinci Resolve 설명서를 참고하시기 바랍니다.

타임라인에서 클립 트리밍하기

타임라인에 클립이 추가됐다면, 이제 자유자재로 클립들을 옮기고 트리밍하여 편집할 수 있습니다.

트리밍을 실행하려면, 마우스를 하나의 클립의 처음 혹은 끝부분에 올려놓고 클릭한 후, 좌/우로 드래그하세요. 예를 들어, 클립의 끝부분을 좌로 움직이면 클립 길이가 감소하며, 반대로 우로 움직이면 클립 길이가 늘어납니다. 이렇게 편집이 끝난 모든 클립은 타임라인에서 상부로 옮겨져 새로운 수정을 적용할 준비를 하게 됩니다. 이것이 바로 컷 페이지에서 작업 시간을 단축 시켜주는 요소 중 하나입니다.

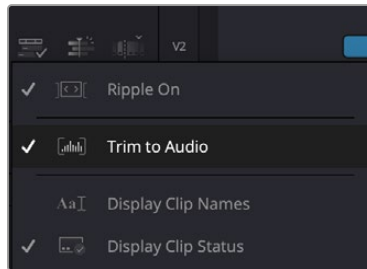
넓은 타임라인 공간에서 클립을 들어올려 새로운 비디오 트랙에 내려놓을 수 있으며, 여기에 확대/축소 과정은 필요 없습니다. 이렇게 긴 타임라인을 훑어보는 시간을 최소화하여 편집 작업 속도가 빨라집니다.

오디오 트림뷰

오디오 트림뷰를 사용하면 타임라인에서 오디오 파형을 확장시켜 정확한 오디오 편집을 할 수 있습니다. 이는 다이얼로그 장면이나 음악 클립 편집 시 유용하며, 개별 단어나 대사 사이의 편집 포인트를 쉽게 찾을 수 있습니다.

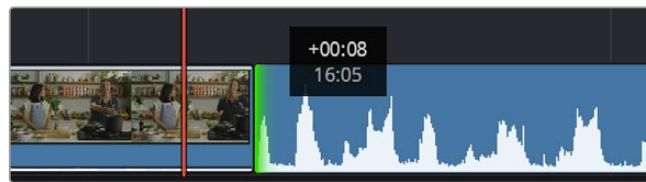
오디오 트림뷰 사용하기

- 1 Timeline Options 아이콘을 클릭한 다음 'Trim to Audio'를 선택하세요.



'Trim to Audio' 옵션

- 2 이제 트리밍 시 타임라인에 확장된 파형이 나타납니다. 트리밍을 마치면 타임라인의 클립이 일반 크기로 바뀝니다.



오디오 트림뷰를 사용하면 타임라인에서 오디오 파형이 확대됩니다

컷 페이지에서 편집이 끝났다면 이제 타이틀을 적용할 순서입니다. 다음 단계에서 타이틀 추가 방법을 살펴보겠습니다.

타이틀 추가하기

타임라인에 타이틀을 추가하는 방법은 매우 간단하며, 다양한 옵션을 사용할 수 있습니다.

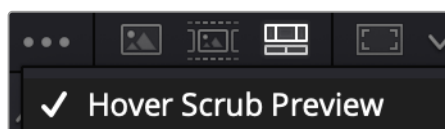
사용할 수 있는 다양한 타이틀을 확인하기 위해, 사용자 인터페이스의 왼쪽 상단에 있는 '타이틀'(Titles) 미디어 탭을 클릭하세요. 선택 창에서 하단 3분의 1 그래픽, 스크롤, 일반 텍스트 타이틀 등의 다양한 타이틀 생성기가 썸네일로 나타납니다. 또한, 사용자가 직접 제작할 수 있는 애니메이션 타이틀인 Fusion 타이틀도 추가할 수 있습니다.

타이틀 미리보기

타임라인에 타이틀을 추가하기 전에 'Titles' 선택 창에서 미리보기할 수 있습니다. 그러면 선택을 하기 전에 사용 가능한 모든 옵션을 빠르게 훑어볼 수 있습니다.

타이틀 미리보기

- 1 타이틀 패널 우측 상단에 있는 옵션 메뉴를 클릭한 다음 'Hover Scrub Preview(마우스로 프리뷰 사용하기)'를 활성화하세요.



옵션 메뉴에서 'Hover Scrub Preview'를 활성화하세요

- 2 'Titles' 선택 창에서 마우스 포인터를 썸네일 위로 가져가면 뷰어에서 타이틀을 미리보기할 수 있습니다. 애니메이션 타이틀 또는 Fusion 타이틀을 미리보기할 경우, 타이틀 썸네일 위로 마우스 포인터를 왼쪽에서 오른쪽으로 움직이면 애니메이션을 확인할 수 있습니다.



타이틀 썸네일 위로 마우스를 가져가 뷰어에서 미리보기하세요

선택한 타이틀을 타임라인에 추가할 수 있습니다.

표준 타이틀 추가하기

- 1 'Text' 타이틀을 클릭한 뒤, 이를 타임라인으로 드래그합니다. 어느 타임라인이든 상관없지만, 보다 높은 정확성을 위해 세부 타임라인을 사용할 것을 권장합니다. 타이틀을 만들기 위한 새로운 비디오 트랙이 자동으로 생성되며 플레이헤드 부분으로 빠르게 이동합니다.
- 2 마우스에서 손가락을 떼면, 타이틀이 새로운 트랙에 나타납니다. 이제, 이 타이틀을 옮기거나 타이틀이 나타나는 시간을 조정할 수 있습니다.
- 3 타이틀을 편집하려면 새롭게 만들어진 타이틀 클립을 클릭하세요. '도구' 아이콘이 클립 뷰어 밑에 나타납니다.
그러면 타이틀 클립을 수정하는데 사용할 수 있는 도구들이 나타납니다. 대표적으로 변형 (Transform), 자르기(Crop), 다이나믹 줌(Dynamic Zoom) 등의 기능을 사용할 수 있습니다.
- 4 이제 'Inspector(인스펙터)' 탭을 클릭하세요.

인스펙터 창이 열리면 타이틀 문구를 입력하고 트래킹, 줄 간격, 폰트, 컬러 등의 텍스트 설정을 편집할 수 있습니다.

다양한 옵션을 사용하여 원하는 타이틀을 마음껏 만들어 보세요. 제공되는 다양한 옵션을 적용하여 타이틀이 어떻게 변경되는지 직접 확인해 보시기를 권장합니다.

정보 'Hover Scrub Preview(마우스로 프리뷰 사용하기)' 기능을 사용해 컷 페이지 및 편집 페이지에서 효과, 트랜지션, 생성기, 필터를 미리보기할 수 있습니다.

Blackmagic RAW 파일로 작업하기

Blackmagic RAW 클립을 사용하면 후반 제작 과정에서 작업의 유연성을 극대화시킬 수 있습니다. 이를 통해 마치 원본 카메라 설정을 바꾸는 것처럼 화이트 밸런스나 ISO 설정 등의 클립 설정을 조정할 수 있습니다. Blackmagic RAW로 작업하면 새도우나 하이라이트 내에서 더욱 풍부한 색조 정보를 유지할 수 있어 디테일이 사라진 하늘이나 영상 속 어두운 부분의 디테일을 복구할 때 유용합니다.

최고의 화질을 원하거나 하이라이트와 새도우 간의 극심한 차이로 인해 해당 부분을 색보정 작업에서 최대한 조정해야 하는 경우에는 Blackmagic RAW로 촬영하는 것이 좋습니다.

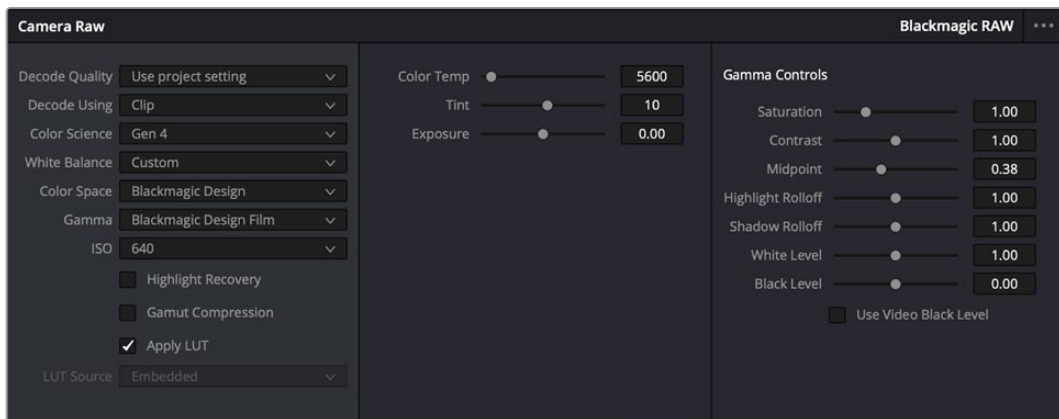
Blackmagic RAW는 빠른 속도와 작은 파일 크기를 제공하여 프록시 파일을 생성할 필요가 없으며 표준 비디오 클립과 같은 재생 방식을 사용할 수 있습니다. Blackmagic RAW의 기능과 DaVinci Resolve 워크플로의 Blackmagic RAW 파일 사용법에 대한 자세한 정보는 아래부분을 참고하세요.

정보 색보정을 시작하기 전에 클립의 Blackmagic RAW 설정을 컬러 페이지에서 조정하는 것이 좋습니다.

Blackmagic RAW를 위한 클립 설정

Blackmagic RAW 파일을 불러오면 DaVinci Resolve에서 촬영 당시 사용된 ISO와 화이트 밸런스, 색조 설정을 사용해 파일에 담긴 카메라 데이터를 디코딩합니다. 설정에 만족할 경우, 곧바로 편집을 시작할 수 있습니다.

Blackmagic RAW 파일의 장점은 이러한 설정으로부터 자유롭다는 점입니다. Blackmagic RAW 파일로 작업 시 사용 가능한 후반 작업 옵션의 폭이 더욱 넓어져 시간이 갈수록 자기 자신만의 워크플로를 더욱 쉽게 개발할 수 있습니다. Camera RAW 탭에서 각 클립을 위한 'Clip' 설정을 보면 Blackmagic RAW 파일 작업이 얼마나 강력하고 유연한지 확인할 수 있습니다.



'Camera RAW' 탭에서 'Decoding Using'을 'Clip'으로 설정하면 사용하는 클립의 Blackmagic RAW 설정을 조절할 수 있습니다.

Blackmagic RAW 설정 변경하기

DaVinci Resolve에서 Blackmagic RAW를 위한 클립 설정 기능을 활성화시키면 클립 설정과 감마 컨트롤을 조절할 수 있습니다. 사용자의 클립을 최적화시키기 위한 이러한 설정을 통해 전체 프라이머리 그레이딩 작업을 더욱 수월하게 할 수 있습니다. 영상록 적용을 위한 클립 균형을 맞추도록 도와주는 DaVinci Resolve의 스코프 기능을 사용할 경우 더욱 강력한 성능을 경험할 수 있습니다.

아래는 클립 컨트롤과 감마 컨트롤에 관한 설명입니다.

ISO

이 설정을 증가 또는 감소하여 ISO 설정값은 변경할 수 있습니다. 클립을 최적화시키기 위해 설정 포인트를 밝게 또는 어둡게 설정할 시 사용하기 유용한 설정 기능입니다.

Highlight Recovery

클리핑되지 않은 채널의 정보를 사용하여 클리핑된 채널의 하이라이트 정보를 복구하려면 박스를 체크하세요.

Gamut Compression

해당 박스를 활성화하면 안전 색영역 레벨이 자동으로 유지됩니다.

Color Temp

따뜻한 이미지 또는 차가운 이미지로 색온도를 조절합니다. 이 설정은 각 이미지의 색 밸런스를 맞추는데 사용할 수도 있습니다.

Tint

이 설정은 이미지에 초록색 또는 자홍색을 추가하여 색 균형을 맞춥니다.

Exposure

이 설정은 이미지의 전체 밝기를 조절합니다.

Saturation

채도 컨트롤의 기본값은 1로 맞춰져 있으며 최소 -1부터 최대 +4까지 조절할 수 있습니다.

Contrast

기본값은 1.0으로 설정되어 있으며 왼쪽으로 슬라이드를 드래그하여 최소 대비값 0까지 설정할 수 있으며 오른쪽으로 드래그하면 최대 2까지 설정 가능합니다.

Midpoint

Blackmagic Design Film에서 중간 회색의 기본값은 0.38% 또는 38.4%로 맞춰져 있습니다. 왼쪽으로 슬라이더를 드래그하여 미드톤을 낮추거나 오른쪽으로 드래그하여 최대 100까지 증가시킬 수 있습니다. 대비를 기본값에서 하향 또는 상향 조절했을 경우 하이라이트와 새도우 롤오프 설정을 변경할 수 있습니다.

Highlight Rolloff

왼쪽으로 슬라이더를 드래그하여 하이라이트 값을 최대 0까지 낮추거나 오른쪽으로 드래그하여 최대 2까지 증가시킬 수 있습니다. 기본 설정값은 1입니다.

Shadow Rolloff

왼쪽으로 슬라이더를 드래그하여 새도우를 낮추거나 오른쪽으로 드래그하여 최대 2까지 증가시킬 수 있습니다.

White Level

하이라이트 설정값 2에서 가장 낮은 값인 0 사이를 슬라이더로 드래그하여 감마 커브의 화이트 포인트를 조절합니다. 기본 설정값은 1입니다.

Black Level

최소 설정값인 -1과 최대 설정값인 1 사이를 슬라이더로 드래그하여 커스텀 감마 커브의 블랙 포인트를 증가시킵니다. 기본 설정값은 0입니다.

Use Video Black Level

비디오 블랙 레벨을 설정하려면 박스를 확인하세요.

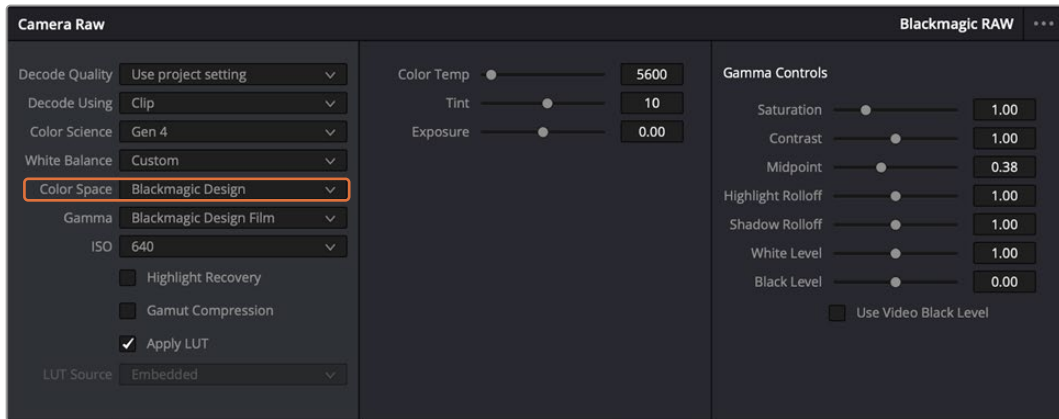
Export Frame

'Export Frame' 버튼을 클릭하면 Blackmagic RAW 클립에서 한 개의 프레임이 익스포트됩니다.

Update Sidecar

'Update Sidecar' 버튼을 클릭하면 현재 클립을 위한 Blackmagic RAW 사이드카 파일이 업데이트됩니다.

Blackmagic RAW 클립에 적용한 모든 변경 사항은 감마 설정에서 식별 단계를 거쳐 Blackmagic Design Custom에 업데이트됩니다.



클립을 기본 감마 옵션 중 하나로 변경하려면 감마 드롭다운 메뉴에서 원하는 설정을 선택하세요.

정보 Video 다이내믹 레인지를 사용하여 촬영한 영상에서는 감마 설정을 제어할 수 없지만, Blackmagic RAW 데이터는 손실되지 않습니다. 드롭다운 감마 메뉴에서 'Blackmagic Design Film' 또는 'Blackmagic Design Extended Video'를 선택하여 설정을 변경할 수 있습니다.

Blackmagic RAW 변경 사항 저장하기

- 1 Blackmagic RAW 클립의 감마 컨트롤을 조정하세요.
- 2 'Update Sidecar' 버튼을 클릭하세요.

이제 .braw 파일이 있는 동일한 폴더 안에 사이드카 파일이 생성되었습니다. 다른 사용자가 Blackmagic RAW 파일을 임포트할 경우, DaVinci Resolve를 통해 사이드카 파일을 자동으로 읽을 수 있습니다. 추가 변경 사항을 적용하려면 'Update Sidecar' 버튼을 한 번 더 눌러주세요.

정보 사이드카 파일을 제거하려면 미디어 드라이브에 저장된 폴더에서 파일을 삭제해주기만 하면 됩니다.

Blackmagic RAW를 위한 프로젝트 설정

화이트 밸런스 및 ISO 설정의 전역 변경같이 모든 클립에 설정 변경을 적용하려면 클립이 프로젝트 Camera RAW 설정을 사용하도록 하고 전역 변경을 수행해야 합니다.

다음과 같은 방법으로 Blackmagic RAW를 위한 프로젝트를 설정하세요.

- 1 'File'을 클릭한 뒤 'Project Settings'를 클릭해 프로젝트 설정 메뉴로 이동하세요.
- 2 'Camera RAW' 탭을 보면 RAW 프로필 옆에 메뉴가 있는 것을 확인할 수 있습니다. 화살표를 클릭하여 목록에서 Blackmagic RAW를 선택하세요.
- 3 'Decode Using' 메뉴에서 'Project'를 선택하세요.
- 4 메뉴에서 'Color Science' 옵션을 선택하세요.
- 5 화이트 밸런스를 'Custom'으로 설정하세요.
- 6 감마 메뉴에서 'Blackmagic Design Custom'을 선택하세요. 색공간을 'Blackmagic Design'으로 설정하세요.

- 7 'Decode Quality' 메뉴에서 원하는 해상도를 선택하세요. 제한된 시스템에서는 낮은 해상도를 선택하는 것이 영상 재생에 도움이 됩니다. 딜리버리 단계 전에 영상을 자유롭게 풀해상도로 변경하여 최상의 화질로 출력할 수도 있습니다.

이제 채도와 콘트라스트, 미드톤 등 클립을 위한 카메라 설정을 변경할 수 있습니다. 이는 'Project' 탭을 사용하여 디코딩하기로 설정한 프로젝트 내 모든 클립에 영향을 끼칩니다.

컬러 페이지에서 클립 색보정 하기

여기까지 타임라인에 클립을 추가하고 타이틀도 추가했으니, 이제 컬러 페이지에서 색보정을 적용할 순서입니다. 컬러 페이지는 매우 강력한 기능으로 전체적인 영상룩을 정의합니다. 하지만 이를 위해, 우선 모든 클립의 균형을 맞추어 클립의 일관성이 유지되도록 설정하는 것을 권장합니다. 편집 영상을 다시 손보고 싶을 때는 언제든지 컷 페이지나 편집 페이지로 돌아갈 수 있습니다.

컬러 페이지에서는 영상의 룩을 조정할 수 있습니다. 색보정은 여러 측면에서 보았을 때, 하나의 예술의 형태로 색보정 작업을 통해 감성을 영상에 담을 수 있습니다. 이는 매우 창의적인 워크플로이기 때문에, 사용자가 색보정과 관련한 다양한 기술을 배우고 적용하여 생동감 넘치는 영상을 본다면 매우 큰 만족감을 느낄 수 있습니다. 본 페이지에서의 색보정 작업이 일반적인 첫 단계로써, 프라이머리 색보정, 혹은 프라이머리 수정이라 부릅니다. 프라이머리 색보정이 완료되면, 세컨더리 색보정 작업을 진행하며 주로 특정 피사체의 아주 세밀한 색보정을 적용합니다. 세밀한 색보정은 매우 즐거운 작업이지만, 주로 프라이머리 색보정이 완료된 후에 진행하게 되는데, 이는 좀 더 효율적인 과정 및 보다 완성된 결과물을 만들기 위해서입니다.

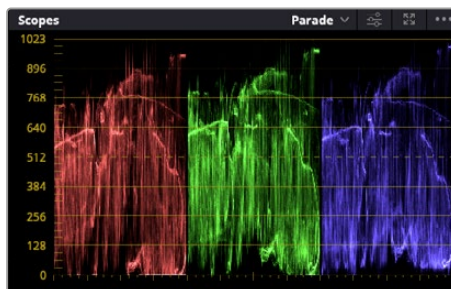
먼저, 'Color' 탭을 클릭하여 컬러 페이지를 여세요.

카메라 RAW 설정 및 컬러 휠, 커브 팔레트, 일반 색보정 도구, 미리보기 창, 노드 창이 나타납니다. 눈 앞에 펼쳐진 방대한 컨트롤 기능들을 보고 당황할 필요가 없습니다. 이 기능들은 단지 멋진 영상을 만들기 위한 도구일 뿐입니다. 본 페이지에는 기초적인 내용이 담겨 있으며, 더욱 자세한 정보는 DaVinci Resolve 설명서의 관련 부분을 참고하시기 바랍니다. DaVinci Resolve 설명서에는 모든 도구의 용도와 사용 방법이 단계별로 이해하기 쉽게 소개되어 있습니다. 설명서를 통해 첨단 색보정 작업실에서 전문가들이 사용하는 기술을 배울 수 있습니다.

일반적으로 프라이머리 색보정의 첫 단계는 클립의 새도우, 미드톤, 하이라이트의 레벨을 최적화하는 것입니다. 다른 말로는 리프트, 감마, 게인 설정을 조절한다고 하기도 합니다. 영화에 원하는 영상룩을 완성하기 위한 매끄럽고 균형 잡힌 그레이딩 작업의 시작 단계로 최적의 밝기를 유지한 최고의 영상으로 만들 수 있습니다. 레벨을 최적화하기 위해서 스코프를 사용해보도록 하겠습니다.

스코프 사용하기

컬러리스트는 대부분 그들이 프로그램에 표현하고자 하는 감정과 영상룩에 초점을 맞춰 컬러를 창의적으로 선택한 뒤, 모니터를 통해 이를 연출합니다. 일상생활의 물건이 얼마나 다양한 종류의 빛에 반응하는지를 보고 아이디어를 얻어 본인의 영상에 이를 적용할 수 있습니다.



퍼레이드 스코프는 하이라이트, 미드톤, 새도우를 최적화할 수 있도록 도와줍니다.

색보정을 할 수 있는 또 다른 방법은 내장 스코프를 사용하여 샷의 균형을 맞추는 것입니다. 팔레트 툴바 오른쪽 두 번째에 있는 'Scope' 버튼을 클릭하면 단일 비디오 스코프를 볼 수 있습니다. 파형, 퍼레이드, 벡터스코프, 히스토그램, CIE 색도 스코프 중 하나를 선택하여 화면에 표시할 수 있습니다. 이 스코프를 통해 영상의 톤 균형을 모니터링하고, 블랙 레벨 크러싱과 하이라이트 클리핑 현상을 방지하기 위해 각 레벨을 확인하며, 클립에 특정 컬러 발현 현상이 나타나는지를 모니터링할 수 있습니다.

컬러휠 팔레트에 포함된 리프트, 감마, 게인 제어 장치는 일반적으로 색보정 첫 단계에서 사용합니다. 이 제어 장치는 다른 소프트웨어의 컬러 및 콘트라스트 조절 기능과 비슷하여 색보정 작업을 해 본 경험이 있는 사용자일 경우엔 익숙할 수도 있습니다.



리프트, 감마, 게인, 오프셋을 위한 각각의 컬러휠을 사용하여 클립의 전체 색상 및 색상 균형을 제어할 수 있습니다. 각각의 컬러휠에서 균일하게 색상을 조절하려면 컬러휠 아래 위치한 다이얼을 앞/뒤로 움직여 조절합니다



마우스를 사용하면 프라이머리 바를 통해 색상을 더욱 쉽게 조절할 수 있습니다

마우스를 사용해 개별 컬러를 좀 더 정확하게 제어하려면 컬러휠을 'Primaries Bars'로 변경해 리프트/감마/게인 제어 장치를 위한 각각의 컬러 및 휘도 채널을 개별적으로 조절할 수 있습니다. 'Primaries Bars'는 컬러휠 우측 상단의 드롭 다운 메뉴에서 간단히 선택할 수 있습니다.

리프트 조절하기

컬러 페이지의 타임라인 클립을 선택한 상태에서 첫 번째 'Lift' 컬러휠 아래에 있는 다이얼을 클릭하세요. 이 다이얼을 앞/뒤로 움직이면서 이미지가 어떻게 변하는지 확인하세요. 영상 속 어두운 부분의 밝기가 증가 또는 감소하는 것을 볼 수 있습니다.

어두운 영역을 원하는 최적의 상태로 설정하세요. 리프트를 과도하게 낮추면 블랙의 디테일이 사라지므로 퍼레이드 스코프를 확인해가며 이러한 현상을 방지하세요. 파형에서 블랙을 위한 최적의 위치는 퍼레이드 스코프 맨 아래 라인의 바로 윗부분입니다.

게인 조절하기

'Gain' 다이얼을 클릭하고 앞/뒤로 움직여 조절하세요. 게인은 클립에서 밝은 영역의 하이라이트를 조절하세요. 퍼레이드 스코프의 파형에서 맨 윗부분이 하이라이트가 나타나는 부분입니다. 밝은 샷의

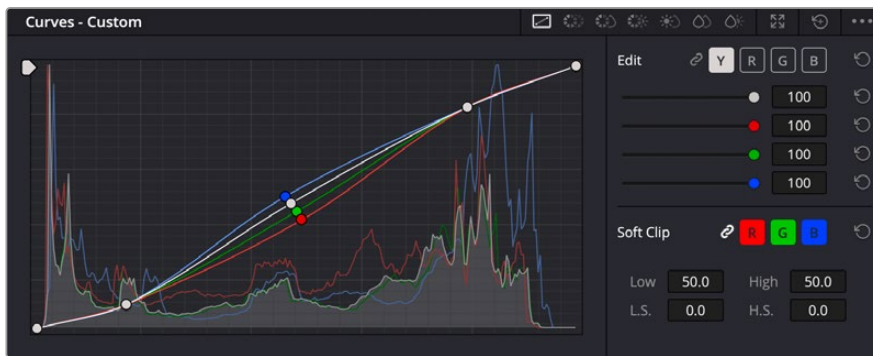
경우, 파형 스코프 맨 윗선 바로 아래가 최적의 위치입니다. 하이라이트가 파형 스코프의 맨 윗선을 넘어서면 하이라이트가 클리핑되어 이미지 속 밝은 부분의 디테일을 잃게 됩니다.

감마 조절하기

'Gamma' 컬러휠 밑의 다이얼을 클릭하고 앞/뒤로 움직여 조절하세요. 감마를 높이면 이미지의 밝기가 높아지는 것을 확인할 수 있습니다. 감마를 조절하면 파형 그래프의 중간 부분이 같이 움직이는 것을 볼 수 있습니다. 이 부분은 클립의 미드톤 부분을 나타냅니다. 일반적으로 미드톤을 위한 최적의 파형 스코프 위치는 스코프 중앙 자리인 50%에서 70% 사이입니다. 하지만 최적의 스코프 위치는 연출하고자 하는 영상룩과 클립 속 조명 조건에 따라 달라집니다.

커브 팔레트를 사용하여 프라이머리 색보정을 진행할 수도 있습니다. 커브 그래프 안에 그려진 대각선을 클릭하면 컨트롤 포인트가 생깁니다. 이 포인트를 위/아래로 드래그하여 이미지 속 각 부분의 마스터 RGB 콘트라스트를 조절하세요. 커브 라인을 3분의 1로 나눴을 때, 맨 아래와 중간, 맨 윗부분이 각각 새도우, 미드톤, 하이라이트를 조절하기에 가장 좋은 지점입니다.

DaVinci Resolve에서 사용할 수 있는 프라이머리 색보정 방법에는 여러 가지가 있습니다.



커브 팔레트는 프라이머리 색보정에 쓰이는 색보정 도구로, 파워 윈도우를 사용할 때 클립에서 특정 영역의 색상을 향상시키는 데 사용됩니다.

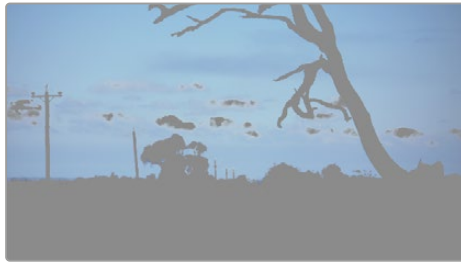
세컨더리 색보정

이미지의 특정 부분만을 조절하려면 세컨더리 색보정을 사용해야 합니다. 지금까지는 리프트, 감마, 게인을 조절하여 전체 영상을 동시에 조절하는 프라이머리 색보정을 진행했습니다.

그러나 영상 속 수풀의 색상을 살리거나 하늘의 푸른 색을 더욱 짙게 만드는 것과 같이 이미지의 특정 부분만 조절하는 작업은 세컨더리 색보정 단계에서만 가능합니다. 세컨더리 색보정에서는 이미지 속 특정 부분만을 선택하여 해당 부분만 조절할 수 있습니다. 노드를 사용하면 여러 부분에 세컨더리 색보정을 적용할 수 있어 만족스러울 때까지 영상 속 특정 부분을 작업할 수 있습니다. 파워 윈도우와 트래킹 기능을 사용하면 선택한 부분의 영상이 움직여도 작업을 이어갈 수 있습니다.

색상 조절하기

도로변에 있는 잔디, 하늘의 푸른색, 관객의 주의를 끌기 위한 특정 물체 등의 색상을 조절하는 것처럼 클립 속 특정 색상을 두드러지게 해야 할 때가 종종 있습니다. 이 작업은 HSL 컬러파이어 도구를 사용해 손쉽게 진행할 수 있습니다.



이미지의 특정 영역을 두드러지게 하거나, 콘트라스트를 추가할 경우, 또는 관객의 주의를 특정 영역에 집중시키고 싶을 때는 HSL 퀄리파이어를 사용하여 이미지 속 색상을 효과적으로 선택할 수 있습니다.

특정 색상 조정하기

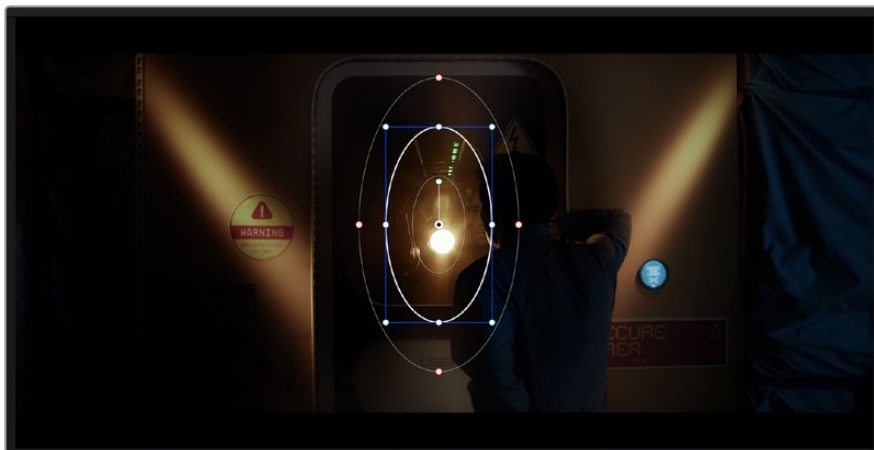
- 1 새로운 시리얼 노드를 추가하세요.
- 2 'Qualifier' 팔레트를 열고 'Selection Range' 피커 도구가 선택되었는지 확인하세요.
- 3 클립에서 보정하려는 특정 색상을 클릭하세요.
- 4 대부분의 경우, 선택 영역의 테두리를 부드럽게 조절하고 선택 영역의 색상만 보정해야 합니다. 뷰어 상단의 'Highlight' 버튼을 선택하면 선택 영역을 볼 수 있습니다.
- 5 'Hue' 창에서 'Width' 컨트롤을 조절하면 선택 영역을 늘리거나 좁힐 수 있습니다.

'High', 'Low', 'Soft' 컨트롤을 조절하면서 선택 영역이 어떻게 개선되는지 시험해보세요. 이제 컬러휠 또는 커스텀 커브를 사용하여 선택한 색상을 보정할 수 있습니다.

간혹 원하지 않는 부분까지도 보정 효과가 번지는 경우가 있습니다. 파워 윈도우를 사용하면 원치 않는 부분을 손쉽게 숨길 수 있습니다. 새로운 윈도우를 생성하고 원하는 색상 부분에 맞게 도형의 형태를 조정하세요. 선택한 색상이 샷안에서 움직이는 경우, 트래킹 기능을 사용하면 파워 윈도우가 같이 따라 움직입니다.

파워 윈도우 추가하기

파워 윈도우는 매우 효과적인 세컨더리 색보정 도구로 클립에서 특정 영역만 분리시키기 위해 사용합니다. 반드시 고정된 부분이 아닌 패닝, 틸팅, 회전 기법을 사용한 장면에서도 선택 영역을 따라 윈도우가 움직이며 선택 영역 자체만 움직여도 추적이 가능합니다.



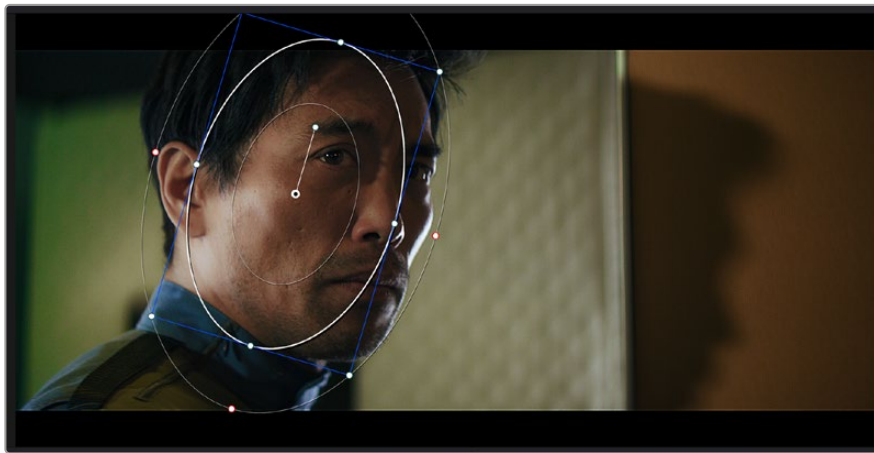
파워 윈도우를 사용하여 HSL 퀄리파이어 세컨더리 조절 기능을 사용하고 싶지 않은 영역을 숨길 수 있습니다

예를 들어, 인물의 주변을 제외한 채 인물에만 색상 및 콘트라스트 수정 사항이 적용되도록 할 경우, 인물 위에 윈도우를 적용하여 지속적으로 추적하도록 설정할 수 있습니다. 이러한 방식의 색보정 효과를 사용하면 원하는 특정 부분에 관객의 시선을 집중시킬 수가 있습니다.

클립에 파워 윈도우 추가하기

- 1 새로운 시리얼 노드를 추가하세요.
- 2 'Window' 팔레트를 열고 원하는 모양의 윈도우 아이콘을 클릭하세요. 선택한 윈도우 도형이 노드에 나타납니다.
- 3 도형 주위에 있는 파란색 포인트를 드래그하여 크기를 조절하세요. 빨간색 포인트는 테두리의 소프트니스를 조절하세요. 중앙에 있는 포인트를 드래그하여 원하는 곳으로 도형을 가져가세요. 중앙 포인트에 연결된 포인트를 사용하면 윈도우를 회전시킬 수 있습니다.

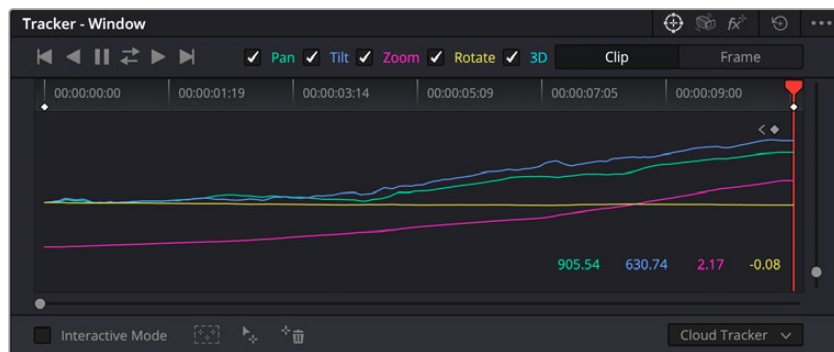
이제 이미지의 선택된 부분에만 색보정을 실행할 수 있습니다.



세컨더리 색보정 단계에서 사용하는 파워 윈도우는 이미지의 특정 부분에만 효과를 적용합니다

윈도우 트래킹

카메라 또는 샷의 피사체 및 특정 부분이 움직일 수 있으므로 DaVinci Resolve의 강력한 트래킹 기능을 사용하여 항상 윈도우가 선택한 피사체 및 영역에 머무르도록 할 수 있습니다. 트래킹 기능은 카메라의 패닝, 틸팅, 줌, 회전 또는 클립의 물체를 자동으로 분석하여 화면 속 움직임에 따라 윈도우를 움직입니다. 트래킹 기능을 사용하지 않을 시에는 색보정이 적용하고자 하는 부분을 벗어나 다른 곳의 주의를 환기시키므로 의도하지 않은 결과를 초래할 수도 있습니다.



클립의 피사체 또는 특정 영역에 트래킹 기능을 사용하면 파워 윈도우가 움직임을 따라 움직입니다.

움직이는 피사체에 윈도우 트래킹 사용하기

- 1 새로운 시리얼 노드를 생성하고 파워 윈도우를 추가하세요.

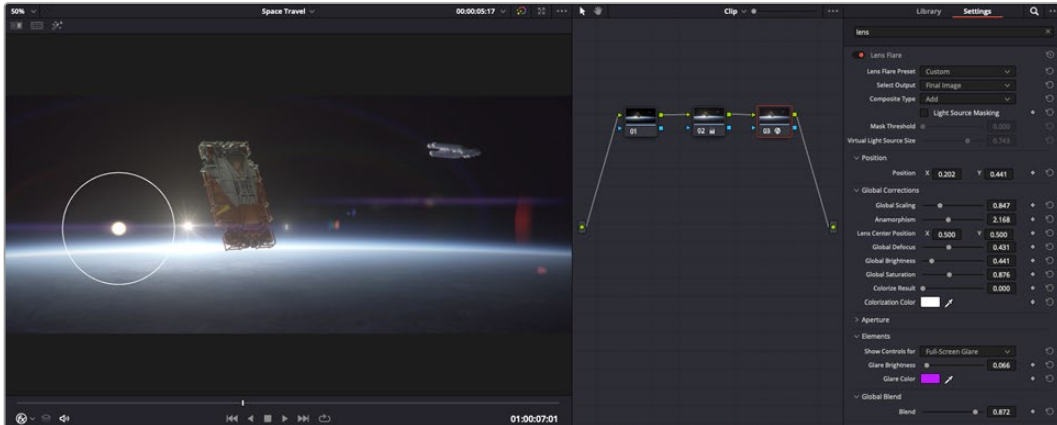
- 2 클립의 시작 부분에서 윈도우의 크기와 위치를 조절하여 원하는 영역 또는 피사체를 강조하세요.
- 3 'Tracker' 팔레트를 여세요. 'Pan', 'Tilt', 'Zoom', 'Rotate', 'Perspective 3D' 설정 중에서 클립 속 움직임 분석에 필요한 체크 박스를 선택 혹은 선택 해제하세요.
- 4 확인란 왼쪽의 앞으로 가기 화살표를 클릭하세요. DaVinci Resolve는 이제 수많은 트래킹 포인트를 클립에 적용시킨 다음, 프레임 전반에 걸쳐 움직임을 분석합니다. 트래킹이 완료되면 클립 속 움직임 경로를 따라 파워 윈도우가 움직입니다.

자동 트래킹 기능은 대부분의 상황에서 성공적으로 사용할 수 있지만, 복잡한 장면이나 선택 영역 앞으로 물체가 지나가는 장면에서는 트래킹 기능이 방해받을 수도 있습니다. 이러한 문제는 키프레임 편집 기능을 수동으로 사용하여 해결할 수 있습니다. 더 자세한 정보는 DaVinci Resolve 설명서를 참고하세요.

플러그인 사용하기

세컨더리 색보정 과정에서 ResolveFX 또는 Open FX 플러그인을 추가하여 영상에 빠르고 흥미로운 모습 및 효과를 생성할 수 있으며 컷 페이지 또는 편집 페이지에서 창의적인 트랜지션 및 효과를 클립에 추가할 수도 있습니다. Resolve FX는 DaVinci Resolve와 함께 설치되며, OFX 플러그인은 서드파티 공급 업체에서 구입해 다운로드할 수 있습니다.

OFX 플러그인 설치를 마친 뒤, 컬러 페이지에서 노드 편집기 우측에 있는 'Open FX' 관리자를 열면 OFX 또는 Resolve FX 플러그인을 사용할 수 있습니다. 새로운 시리얼 노드를 생성하고 나면 'Open FX' 버튼을 클릭하여 FX 라이브러리를 열고, 새로운 노드로 플러그인을 드래그 및 드롭하세요. 플러그인 설정을 편집할 수 있는 경우, 'Settings' 패널에서 이를 조정할 수 있습니다.



OFX 플러그인을 사용해 창의적이고 흥미로운 영상을 쉽고 빠르게 만들어낼 수 있습니다.

편집 페이지에서 'Effects Library'에 있는 'Open FX' 패널을 연 다음 선택한 플러그인의 요구 사항에 맞춰 타임라인에 있는 클립 위 비디오 클립 또는 비디오 트랙에 드래그하여 옮기면 클립에 플러그인 필터와 생성기, 트랜지션이 추가됩니다.

편집 페이지에서 오디오 믹싱하기

프로젝트의 편집과 색보정 작업을 완료하면 오디오 편집을 시작할 수 있습니다. DaVinci Resolve는 편집 페이지에서 바로 오디오 편집과 믹싱, 마스터링할 수 있는 유용한 기능들을 제공합니다. 더욱 복잡한 오디오 작업 도구를 필요로 하는 프로젝트를 위한 Fairlight 페이지는 종합적인 오디오 후반 제작 환경을 제공합니다. 이미 편집 페이지에 익숙해 Fairlight로 바로 넘어가고자 하는 경우에는 이번 섹션을 건너뛰고 다음 섹션으로 이동하세요.

오디오 트랙 추가하기

편집 페이지에서 작업 시, 다양한 음향 효과 및 음악을 사용하여 기본적인 믹싱 작업을 하려면 필요에 따라 오디오 트랙을 추가할 수 있습니다. 이 기능은 음향을 제작하거나 대사 및 음향 효과, 음악 같은 오디오 요소를 여러 트랙으로 따로 분리할 때 사용합니다.

오디오 트랙을 편집 페이지에 추가하기

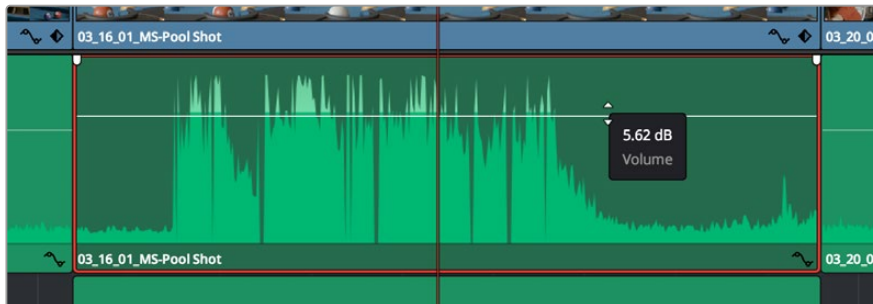
타임라인의 오디오 트랙 중 하나를 선택하여 이름을 우클릭하세요. 그 다음 'Add Track'에서 'Mono', 'Stereo' 그리고 '5:1' 등의 옵션 중에서 원하는 기능을 선택할 수 있습니다. 트랙 목록 아래에 해당 오디오 트랙이 추가됩니다. 다른 방법으로는 'Add Track'을 선택하고 새로운 트랙 또는 다중 트랙의 위치를 선택하세요.

타임라인에 새로운 오디오 트랙이 나타납니다.

정보 트랙을 생성한 후에 트랙 유형을 변경하고자 할 경우, 트랙명 옆쪽을 마우스로 우클릭해 'Change Track Type To'를 선택한 다음 'Mono', 'Stereo', '5.1' 등의 옵션 중에서 원하는 오디오 트랙 유형을 선택하세요.

타임라인에서 오디오 레벨 조절하기

타임라인에 있는 각각의 오디오 클립에는 볼륨 조절을 위한 오버레이가 있어 마우스 포인터로 상/하 드래그하여 간단히 클립의 오디오 볼륨을 설정할 수 있습니다. 이 오버레이는 인스펙터에 있는 볼륨 파라미터와 연동됩니다.

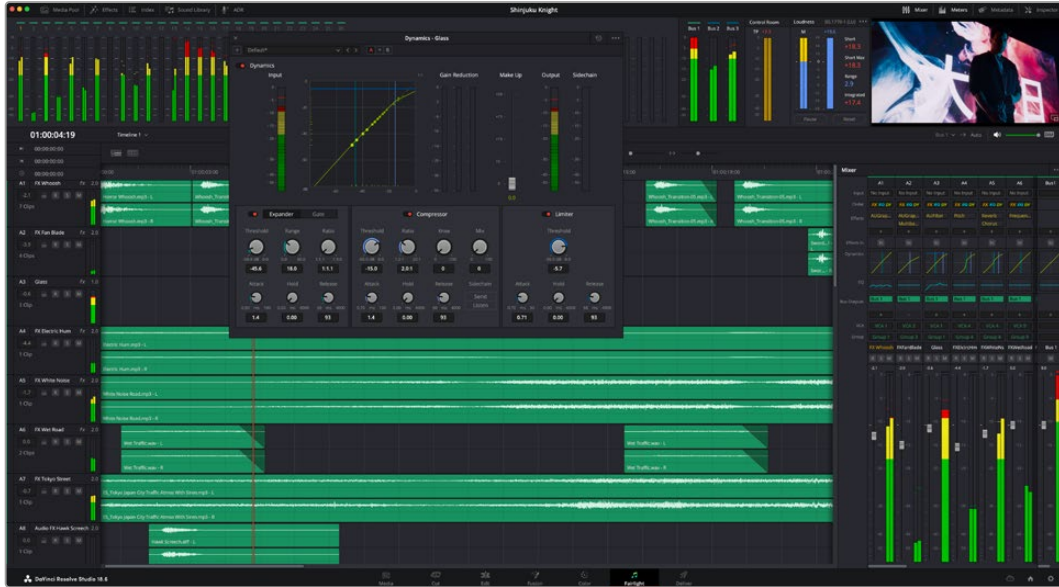


볼륨 오버레이를 드래그하여 클립의 오디오 볼륨을 조절하세요.

더욱 복잡한 오디오 작업 도구를 필요로 하는 프로젝트를 위한 Fairlight 페이지는 종합적인 오디오 후반 제작 환경을 제공합니다.

Fairlight 페이지

DaVinci Resolve의 Fairlight 페이지에서는 프로젝트의 오디오를 제어할 수 있습니다. 단일 모니터를 사용하여 작업하는 환경에 최적화된 모니터링을 통해 프로젝트의 오디오 트랙을 확인하고, 확장된 오디오 믹서 및 커스텀 모니터링 컨트롤을 사용하여 각 레벨을 쉽게 조절함으로써, 보다 부드럽고 조화로운 사운드를 만들 수 있습니다. 화면에 보이는 복잡한 기능을 보고 겁먹을 필요 없습니다. 모든 기능은 여러분의 프로젝트를 최고의 품질로 제작할 수 있도록 완벽히 준비되어 있습니다.



본 설명서에는 Fairlight 페이지 기능이 간략하게 설명되어 있지만, 개별 기능에 관한 더욱 자세한 설명은 DaVinci Resolve 설명서에서 확인하실 수 있습니다. DaVinci Resolve 설명서에는 각 도구의 용도와 사용 방법이 단계별로 자세히 설명되어 있습니다.

오디오 타임라인

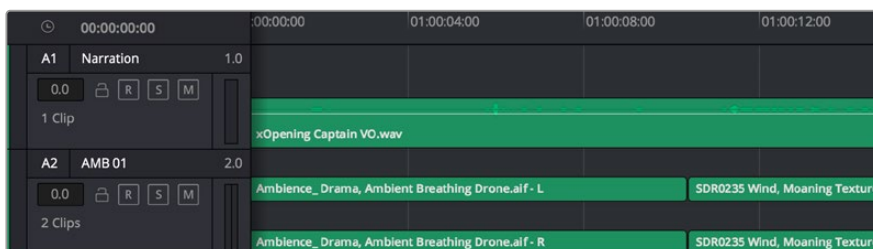
오디오 타임라인에는 현재 선택된 타임라인의 오디오 채널 및 트랙이 트랙당 하나의 채널로 배열되어 표시됩니다. 이 레이아웃은 오디오 믹싱 및 스위트닝에 작업에 적합합니다.

트랙 헤더

모든 트랙 좌측에 있는 헤더 부분에는 트랙 번호와 이름, 색상, 오디오 채널, 페이더 값, 오디오 미터가 나타납니다. 트랙 헤더에서는 트랙에 잠금 기능을 설정 및 해제할 수 있을 뿐만 아니라 솔로 컨트롤과 음소거 컨트롤을 사용할 수도 있습니다. 이러한 컨트롤을 사용하여 오디오 트랙을 정리하고 트랙을 개별로 미리보기할 수 있습니다.

트랙

Fairlight 페이지에 있는 모든 오디오 트랙은 레인별로 구분되어 있으며, 이 레인에는 오디오를 편집하고 믹싱할 수 있도록 클립의 오디오 채널이 개별적으로 나타납니다. 편집 페이지에는 이러한 개별 오디오 채널은 나타나지 않고 타임라인에 오직 클립 하나만 나타나므로 많은 수의 오디오 트랙을 관리할 필요 없이 여러 채널 소스의 편집을 더욱 간단하게 수행할 수 있습니다.



트랙 A1의 트랙 헤더에는 모노 오디오를 위한 단일 레인으로 구성된 모노 트랙이 나타나며, 트랙 A2 트랙 헤더에는 두 개 레인으로 구성된 스테레오 트랙이 나타납니다.

버스란?

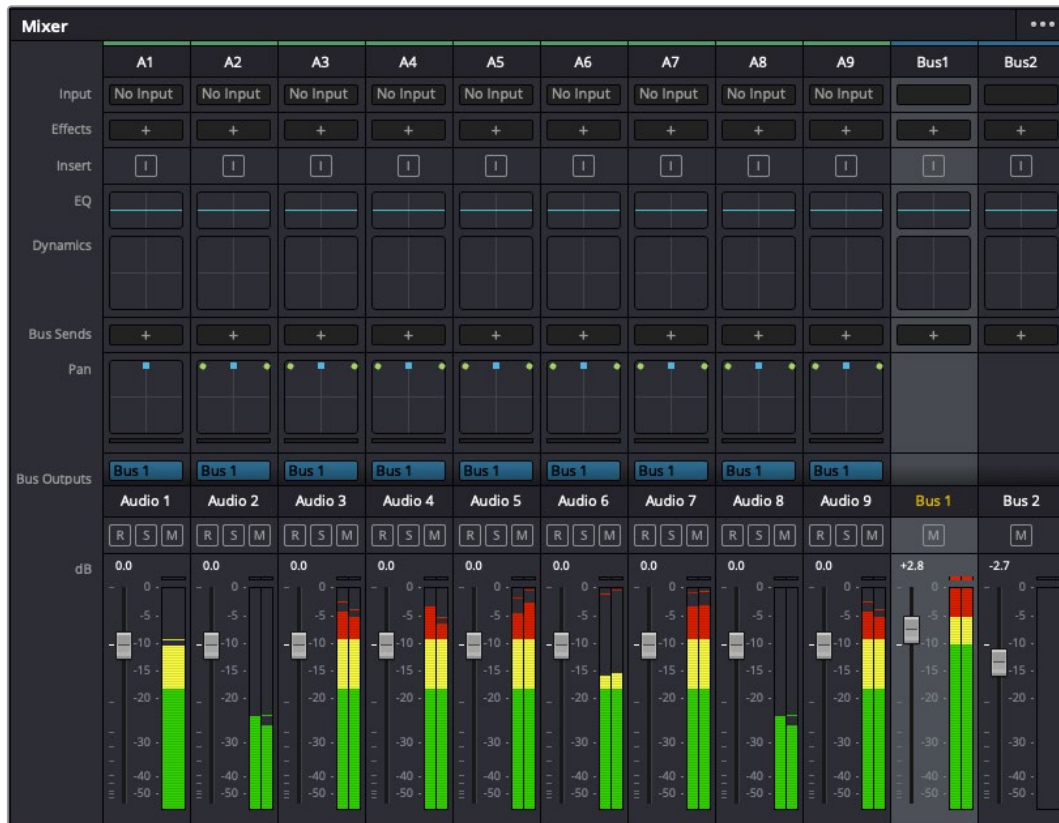
버스는 여러 개의 오디오 소스로 구성된 하나의 목적지 채널을 말하며, 이는 한 개의 채널 스트립을 통해 제어할 수 있도록 단일 신호로 그룹 지어져 있습니다. Fairlight는 자동으로 버스를 생성하며, 타임라인의 모든 오디오 트랙은 버스로 전송되도록 기본 설정되어 있습니다. 즉, 개별 오디오 트랙의 오디오 레벨을 조절하면 오디오 믹스의 전체 레벨을 조절할 수 있습니다.

복잡한 편집을 수행할 경우, 더욱 많은 버스를 생성하여 대사나 음악, 효과 같은 카테고리로 분류되는 여러 오디오 트랙을 하나로 합치는 방식으로 같은 카테고리에 해당하는 모든 것을 하나의 오디오 신호로 믹싱할 수 있습니다. 예를 들어, 다섯 개의 대화 트랙이 있는 경우에 다섯 개 트랙의 출력을 전부 개별 버스에 라우팅하면 하나의 컨트롤 모음을 사용하여 모든 대화를 믹싱할 수 있습니다.

Fairlight의 Flexbus 구조는 버스-투-버스, 트랙-투-트랙, 버스-투-트랙 라우팅 옵션을 포함한 신호 라우팅과 버스 유형을 완벽하게 제어할 수 있는 유연성을 제공합니다. Fairlight의 오디오 버스 설정에 관한 더욱 자세한 설명은 DaVinci Resolve 설명서를 참고하세요.

믹서

타임라인에 있는 각각의 오디오 트랙은 믹서의 해당 채널 스트립과 연동되며, 우측에는 ‘Bus 1’이라고 적힌 하나의 채널 스트립이 기본 설정으로 나타납니다. 버스를 추가로 생성할 때마다 컨트롤 모음이 포함된 추가 채널 스트립이 우측에 나타납니다. 그래픽 컨트롤 모음을 사용하여 출력 채널에 트랙 채널을 설정하고, 이퀄라이저와 다이내믹스를 조절하고, 오디오 레벨과 자동 녹음 설정, 스테레오 오디오와 서라운드 오디오 패닝, 음소거, 솔로 트랙 수행이 가능합니다.

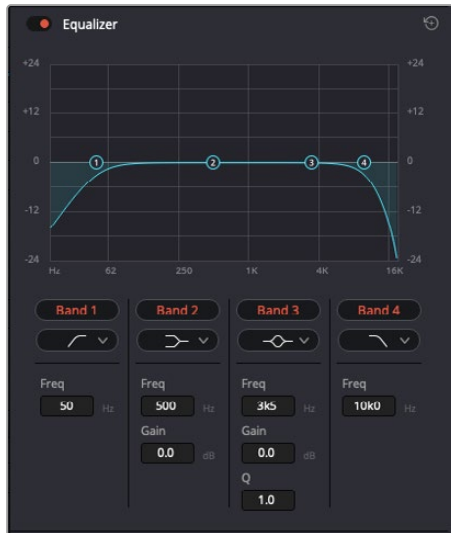


타임라인의 오디오 트랙과 연동되는 오디오 믹서의 채널 스트립

이퀄라이저를 사용해 오디오 높이기

프로젝트의 오디오 클립 레벨을 조절하고 나서도 추가 조절이 필요할 때가 있습니다. 경우에 따라서는 다이얼로그 및 음악, 음향 효과가 오디오 스펙트럼에서 동일한 주파수를 두고 충돌하여 복잡해진 신호 때문에 깨끗한 음질을 만들어내지 못합니다. 이퀄라이저는 이러한 경우에 유용한 기능으로 오디오 스펙트럼에서 원하는 부분을 지정할 수 있습니다. 또한 이퀄라이저를 사용하여 특정 주파수의 레벨을 줄이거나 분리시키는 방식으로, 우르릉거리는 소리, 웅웅거리는 소리, 바람 소리, 식쇠 거리는 소리 등, 오디오에서 원치 않는 현상을 제거할 수 있으며, 전체적인 음질을 향상시킬 수 있어 더욱 듣기 좋은 음향을 만들어낼 수 있습니다.

DaVinci Resolve는 개별 클립의 오디오 클립 수준 또는, 전체 오디오 트랙을 위한 오디오 트랙 수준에 적용할 수 있는 EQ 필터를 제공합니다. 타임라인의 각 오디오 클립은 인스펙터의 4밴드 이퀄라이저를 사용할 수 있으며, 각 트랙은 믹서 패널의 6밴드 파라메트릭 이퀄라이저를 사용할 수 있습니다. 그래픽 컨트롤과 숫자 컨트롤을 사용하여 다양한 음역대의 주파수를 강화하거나 약화시킬 수 있으며, 다양한 종류의 필터를 사용해 EQ 커브의 모양을 결정할 수 있습니다.



4밴드 이퀄라이저는 타임라인에 있는 모든 클립에 적용할 수 있습니다

바깥쪽의 밴드는 하이셀프, 로우셀프, 하이패스, 로우패스 필터를 사용하여 밴드 필터를 조절할 수 있습니다. 패스 필터는 특정 주파수 범위를 벗어나거나 미치지 못하는 모든 주파수에 적용되며 신호에서 주파수를 완전히 제거하는 역할을 합니다. 예를 들어, 하이패스 필터는 특정 범위보다 낮은 주파수는 제거하는 동시에 범위를 넘어서는 주파수는 그대로 패스스루합니다. 제외하고자 하는 주파수는 하강 곡선을 따라 점차 사라지게 됩니다.

셀프 필터는 하이패스 필터보다 강도가 조금 약한 필터로, 특정 부분을 완전히 제거하는 것이 아니라 신호의 가장 높은 부분과 낮은 부분을 변경하고자 할 때 사용합니다. 셀프 필터는 타깃 주파수를 강화하거나 잘라내며, 하이/로우 셀프 사용에 따라, 타깃 주파수 위/아래를 편평하게 만듭니다.

가운데쪽의 밴드 컨트롤 모음을 사용해 매우 다양한 이퀄라이제이션을 조절할 수 있고, 로우셀프와 벨, 노치, 하이셀프 필터링 옵션으로 전환할 수 있습니다.

벨

벨 필터는 벨 커브에 주어진 중심점 주변의 주파수를 증가 또는 제거하며 이름에서 알 수 있듯이 벨 모양의 커브가 나타납니다.

노치

노치 필터는 특히 아주 낮은 음역대를 조절하기 위한 필터입니다. 예를 들어 50 또는 60Hz에서 발생하는 험 노이즈를 제거합니다.

로우 션프

로우 션프 필터는 대상 주파수의 가장 낮은 지점과 그 밑에 해당하는 모든 주파수를 증가 또는 제거합니다.

하이 션프

하이 션프 필터는 대상 주파수의 가장 높은 지점과 그 위에 해당하는 모든 주파수를 증가 또는 제거합니다.

개별 클립에 EQ 추가하기

- 1 타임라인에서 EQ 필터를 추가하려는 클립을 선택하세요.
- 2 'Inspector'를 클릭한 다음, 'Equalizer' 활성화 버튼을 클릭합니다.

오디오 트랙에 EQ 추가하기

- 1 믹서에 있는 한 오디오 트랙의 EQ 부분을 더블 클릭하면 해당 오디오 트랙을 위한 믹서가 열립니다.
- 2 드롭다운 메뉴에서 조절하려는 밴드 필터 유형을 선택하세요.



믹서 패널의 EQ 섹션에는 트랙 1에 적용된 EQ 커브가 나타납니다.



모든 오디오 트랙에 적용 가능한 6밴드 파라메트릭 이퀄라이저

오디오 클립 또는 트랙에 EQ를 추가하면 각 밴드를 위한 EQ를 조절할 수 있습니다. 선택하는 밴드 필터 유형에 따라 컨트롤이 달라질 수 있습니다.

밴드 필터를 위한 EQ 조절하기

- 1 드롭다운 메뉴에서 조절하려는 밴드 필터 유형을 선택하세요.
- 2 'Frequency' 값을 조절하여 EQ 조절의 중심 주파수를 선택하세요.
- 3 'Gain' 값을 조절하여 해당 밴드로 통제되는 주파수를 강화 또는 약화시킵니다.
- 4 'Q Factor' 값을 사용하여 해당 주파수의 대역폭을 조절하세요.

리셋 버튼을 사용하면 EQ 창에 있는 모든 컨트롤을 기본 설정값으로 초기화할 수 있습니다.

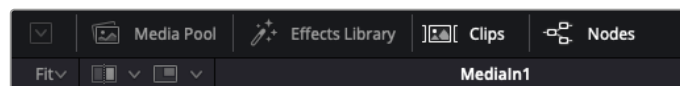
Fairlight에는 각 오디오 트랙의 음질을 높일 수 있는 많은 컨트롤 기능을 제공합니다. 더 많은 트랙을 추가하고 버스로 이러한 트랙을 관리할 수 있을 뿐만 아니라 딜레이 또는 리버브 같은 효과를 추가하는 등 완벽한 오디오 믹싱 작업을 수행할 수 있습니다.

Fusion 페이지에서 VFX 시각효과 추가 및 합성하기

편집 과정을 마친 상태라면 이제 Fusion 페이지를 열고 DaVinci Resolve에 2D 또는 3D 시각 효과와 모션 그래픽을 그대로 추가할 수 있습니다. 레이어 기반 합성 소프트웨어와는 달리 노드 기반 소프트웨어인 Fusion에서는 이미지 데이터를 원하는 방식으로 연결해 복잡한 합성 효과를 생성할 수 있습니다. 노드 윈도우에서 작업 도중 사용된 도구를 모두 확인할 수 있습니다. 컬러 페이지에서 노드 기반 워크플로를 이미 사용해 본 적이 있다면 익숙할 것입니다.



Fusion 페이지는 상단에 위치한 트랜스포트 제어 기능을 가진 2개의 뷰어 윈도우를 통해 미디어를 확인할 수 있습니다. 오른쪽에 있는 'Inspector' 창을 통해 도구 설정을 사용하거나 하단의 노드 창을 통해 합성을 추가할 수 있습니다. 뷰어와 트랜스포트 컨트롤은 항상 보이는 곳에 있지만 디스플레이 상단 맨 끝에 있는 인터페이스 툴바에 있는 아이콘을 클릭하면 노드와 'Inspector' 창을 띄우거나 숨길 수 있으며, 또한 스플라인과 키 프레임을 위한 'Effects Library'와 'Editors'와 같은 추가 창을 띄우거나 숨기는 것도 가능합니다.



Media Pool

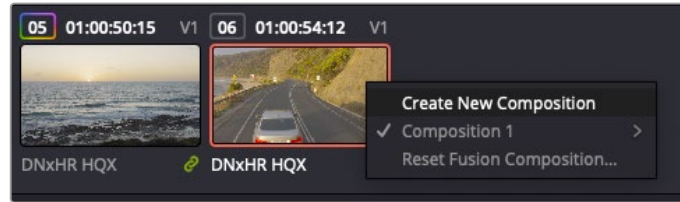
미디어 풀은 편집 페이지에 나온 방식과 동일하게 작동합니다. 클립 빈에서 추가 미디어를 드래그한 다음 합성에 직접 가져다 놓기만 하면 됩니다.

Effects Library

이펙트 라이브러리는 Fusion 도구와 템플레이트를 파티클, 트래킹, 필터 및 제너레이터 등의 항목으로 구분되어 있습니다. 도구를 클릭하거나 노드 창으로 드래그하여 합성에 추가해주기만 하면 됩니다. 미디어 풀과 이펙트 라이브러리는 화면에서 똑같은 공간을 차지하므로 둘을 바꿔가며 사용하면 뷰어를 최대 크기로 놓고 작업할 수 있습니다.

Clips

'Clips' 탭을 누르면 타임라인에서 작업 중인 클립을 나타내는 썸네일을 띄우거나 숨길 수 있습니다. 썸네일이 노드 창 하단에 나타나기 때문에 즉시 다른 클립을 살펴보는 것이 가능합니다.



새로운 합성 버전을 생성하려면 썸네일을 우클릭하여 'Create New Composition'을 선택하세요.

뷰어

뷰어는 항상 보이는 곳에 있으며 합성 효과를 다양한 각도에서 확인할 수 있습니다. 예를 들어, 3D 시점에서 3D 노드 합치기, 카메라 출력 또는 최종 렌더링 출력 등을 전체적으로 확인할 수 있습니다. 또한 이 뷰어를 통해 변경사항이 어떻게 적용되었는지 확인할 수 있습니다.

뷰어를 통해 보고 싶은 노드를 선택한 다음 숫자 '1'을 입력하면 왼쪽 뷰어에, 숫자 '2'를 입력하면 오른쪽 뷰어에 해당 노드가 나타납니다. 노드 하단에 하얀 버튼 아이콘이 나타나 어떤 뷰어가 지정되었는지 알 수 있습니다. 외부 비디오 모니터링을 사용할 경우 세 번째 버튼을 통해 미디어를 사용 중인 외부 비디오 모니터로 라우팅할 수 있습니다.

정보 노드를 뷰어로 직접 드래그하면 뷰어에 해당 노드를 지정할 수도 있습니다.

뷰어 하단의 트랜스포트 제어를 통해 클립의 시작 또는 끝부분으로 이동하거나, 앞으로 감기, 뒤로 감기 또는 재생 멈추기 기능을 사용할 수 있습니다. 클립 전체의 인/아웃 포인트가 타임라인 눈금 위에 노란색으로 표시되어 나타납니다.



타임라인 눈금의 노란색 표시는 타임라인 상 클립의 인/아웃 포인트를 나타냅니다. Fusion 클립 또는 컴파운드 클립을 사용할 경우, 타임라인 눈금은 핸들을 제외하고 타임라인에 나온 클립의 재생 시간만을 표시하게 됩니다.

Nodes

Fusion 페이지의 중심에 자리한 노드 창을 통해 하나의 노드 출력을 다른 노드 출력에 연결하는 식으로 노드 트리를 생성할 수 있습니다. 노드 창의 크기는 스플라인 창이나 키프레임 창 등, 현재 사용 중인 편집 창에 따라 달라집니다. 노드 창 상단의 툴바에는 가장 자주 사용되는 도구를 선별해 놓아 신속하게 사용할 수 있도록 하였습니다.

Spline

스플라인 창은 노드 창의 오른쪽에 나타납니다. 이 편집 창에서는 각 노드에 베지어 커브를 사용하여 두 개의 키프레임 간에 있는 애니메이션을 부드럽게 하는 등 정교한 조절이 가능합니다.

Keyframes

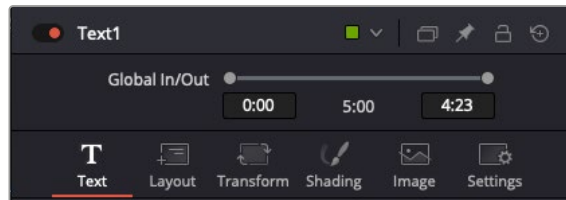
키프레임 편집 창을 사용하여 각 도구를 위한 키프레임을 추가, 제거 및 변경할 수 있습니다. 키프레임 창은 노드 창의 오른쪽에 나타납니다.

Metadata

메타데이터 창에서는 작업 중인 클립의 코덱 및 프레임 레이트, 타임코드 같은 메타데이터를 확인할 수 있습니다.

Inspector

오른쪽 상단 모서리의 인스펙터는 선택된 하나 이상의 노드를 위한 모든 설정과 모디파이어를 보여줍니다. 또한 항목별로 분류된 여러 노드 설정을 위한 추가 탭도 나타나므로 이를 통해 빠르게 설정할 수 있습니다.

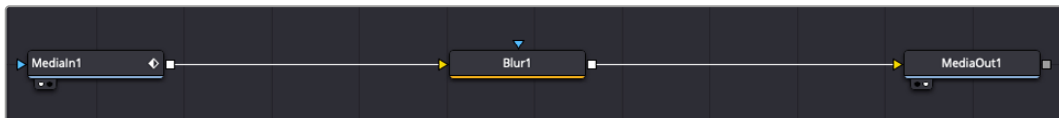


텍스트 인스펙터는 텍스트, 레이아웃, 변형, 셰이딩, 이미지 및 설정 등의 추가 탭을 보여줍니다.

Fusion 시작하기

Fusion을 시작하려면 타임라인 상 아무 클립 위에 재생 헤드를 이동한 다음 'Fusion' 탭을 클릭하여 Fusion 페이지를 열기만 하면 됩니다.

Fusion 페이지를 열었다면 'MediaIn'이라고 표시된 미디어 입력 노드가 클립에 적용되어 클립을 사용할 준비가 된 것을 확인할 수 있습니다. 모든 합성 슷은 'MediaIn'과 'MediaOut' 노드로 시작됩니다. 이전 'MediaIn' 노드는 재생 헤드가 있는 타임라인의 가장 위에 있는 클립을 나타내며, 이 클립 밑에 있는 다른 클립들은 반영하지 않습니다. 지금까지 편집 페이지에서 클립에 적용한 변형 도구와 크로핑과 같은 모든 변경 사항이 그대로 적용되어 있는 것을 확인할 수 있습니다.



미디어 출력 노드는 DaVinci Resolve의 편집(Edit) 페이지에 있는 타임라인으로 다시 출력을 보내는 노드로, 'MediaOut'으로 표시되어 있습니다.

정보 컷 페이지 또는 편집 페이지에서 클립에 적용된 ResolveFX 또는 OFX 플러그인의 경우, Fusion 페이지에서는 적용되지 않습니다. 이는 Fusion 효과가 색보정과 OFX/ResolveFX 프로세싱보다 한 단계 먼저 일어나기 때문입니다. Fusion 효과 이전 단계에서 OFX를 적용하려면 편집 페이지에서 클립을 우클릭한 후 'New Fusion Clip'을 선택한 다음 'Fusion' 페이지를 클릭하세요.

노드 이해하기

각 노드를 단일 도구 또는 효과를 나타내는 시각적인 아이콘으로 생각하면 사용법 이해에 도움이 됩니다. 마치 여러 재료를 조합하여 케이크를 만드는 것처럼 노드를 다른 노드와 연결하면 전체적인 합성 작업을 마칠 수 있습니다. 각 노드의 입력과 출력을 이해해야 디테일한 시각 효과를 제작하는 동시에 합성의 플로우를 확인할 수 있어 중요한 부분이라 할 수 있습니다.

일부 도구는 다른 노드와 연결할 수 있는 다수의 입력과 출력을 가지고 있습니다. 예를 들어, 노드 합치기 도구를 사용하면 전경 입력과 배경 입력 그리고 마스크 입력을 매트 또는 키와 합칠 수 있습니다.

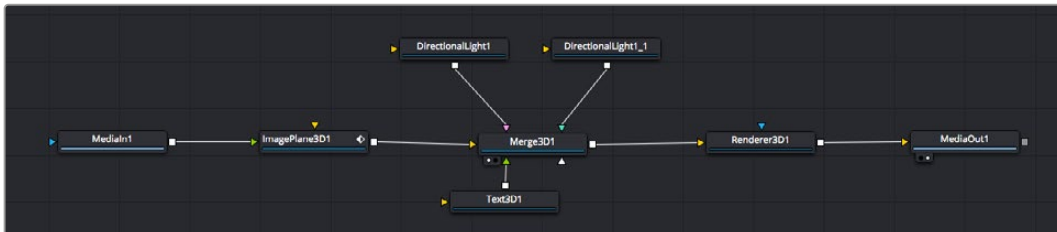


노드에 여러 개의 출력이 있다는 것은 합성 작업에서 노드 하나를 여러 개의 다른 노드에 연결할 수 있음을 뜻합니다. 따라서 레이어 기반 소프트웨어를 사용할 때처럼 클립을 복사할 필요가 없습니다. 연결된 노드 사이의 화살표는 이미지 데이터가 이동하는 방향을 파악하는데 도움을 주는 유용한 시각적 표시 장치입니다.

노드 편집기에 노드 추가하기

효과를 추가하려면 간단히 'MediaIn'과 'MediaOut' 노드를 연결하는 선에 노드를 가져다 놓으면 됩니다.

이는 몇 가지 방법을 통해 수행할 수 있습니다. [shift] 버튼을 누른 채로 두 노드 사이에 노드를 떨어뜨리거나 효과를 적용하려는 노드를 클릭한 후 추가하려는 도구를 선택하면 됩니다. 그러면 새로운 노드가 선택한 도구에 자동적으로 연결됩니다. 또한 노드 윈도우의 아무 곳이나 노드를 추가하거나 노드의 출력을 다른 노드의 입력 부분에 드래그해 놓는 방식을 사용해 수동적으로 노드를 연결할 수도 있습니다.



이 중, 가장 자주 사용되는 도구는 2D 또는 3D 노드 합치기 도구입니다. 이 노드는 노드 편집자 안의 모든 도구를 단일 출력으로 합쳐주는 중앙 허브와도 같습니다.

노드 합치기는 크기, 위치, 블렌드 등 입력을 제어할 수 있는 기능을 갖추고 있습니다. 노드 합치기를 선택할 경우 모든 설정을 인스펙터 패널에서 사용할 수 있습니다.

가장 자주 사용하는 도구는 노드 패널 상단의 툴바에 아이콘으로 표시되어 클릭하여 노드를 추가하거나 도구를 노드 패널로 드래그할 수 있습니다. 사용 가능한 모든 도구를 보려면 화면 상단 왼쪽의 'Effects Library'를 클릭하고 'Tools' 옵션을 눌러 창을 여세요. 여기에서 항목별로 분류된 모든 도구뿐 아니라 렌즈 플레이어, 셰이더, 배경 등 사전 제작한 템플레ートを 사용할 수 있습니다.

정보 도구 이름에 익숙해졌다면 키보드에서 [shift] 버튼을 누른 채 스페이스바 키를 누르면 'Select Tools' 메뉴가 나타납니다. 도구 이름을 입력하면 메뉴에 현재 작업에 알맞은 도구가 나타납니다. 이는 원하는 도구를 신속하게 선택할 수 있는 방법입니다.

인스펙터 패널을 사용하여 노드 조정하기

인스펙터 패널을 사용하여 노드 설정을 변경하세요. 변경하려는 노드를 클릭하기만 하면 패널이 업데이트되어 변경된 설정과 제어가 나타납니다.

Fusion을 사용할 경우 합성 단계에서 다른 노드를 보면서 노드를 변경할 수 있기 때문에 편집 도중 노드를 직접 보면서 작업할 필요가 없습니다. 예를 들어, 뷰어에 노드 합치기 이미지가 나타나는 상태에서 배경과 텍스트를 확인하면서 'Text+' 노드의 크기와 중심 위치를 변경할 수 있습니다.

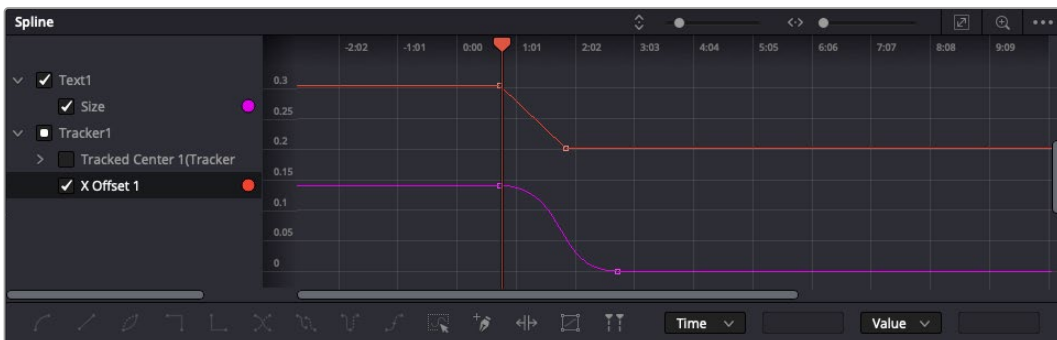


선택한 노드의 테두리는 빨간 색으로 표시됩니다. 여기서 인스펙터 창을 통해 텍스트 노드의 레이아웃 탭 컨트롤을 볼 수 있습니다.

작업에 따라 각 노드의 크기, 중심 위치부터 에미터 노드의 파티클 개수까지 다양한 파라미터와 설정을 변경할 수 있습니다. 지속적으로 키프레임 설정을 조절하고 변경하면 애니메이션 효과를 적용하게 됩니다.

키프레임 작업하기

인스펙터 창에서 키프레임을 설정하려면 설정을 우클릭하면 나타나는 메뉴에서 'Animate'를 선택하세요. 설정 오른쪽의 키프레임 아이콘이 빨간색으로 변합니다. 이는 키프레임이 활성화되어 앞으로 모든 변경 사항은 현재 프레임에만 적용됨을 뜻합니다. 다른 프레임에서 파라미터 설정을 변경하는 도중 두 개 이상의 키프레임이 생성될 경우, 키프레임 사이에 트랜지션이 생성되어 이를 보간합니다. 키프레임 아이콘 양쪽에 있는 화살표를 통해 타임라인의 정확한 위치로 플레이헤드를 이동시킬 수 있습니다.



여기에서 'Size' 키프레임 애니메이션이 베지어 커브 모양으로 부드럽게 표현된 것을 확인할 수 있습니다. '베지어 핸들'을 클릭하여 커브를 단축하거나 늘리고, 사각형 모양의 '키프레임' 아이콘을 클릭하여 키프레임 위치를 이동할 수도 있습니다.

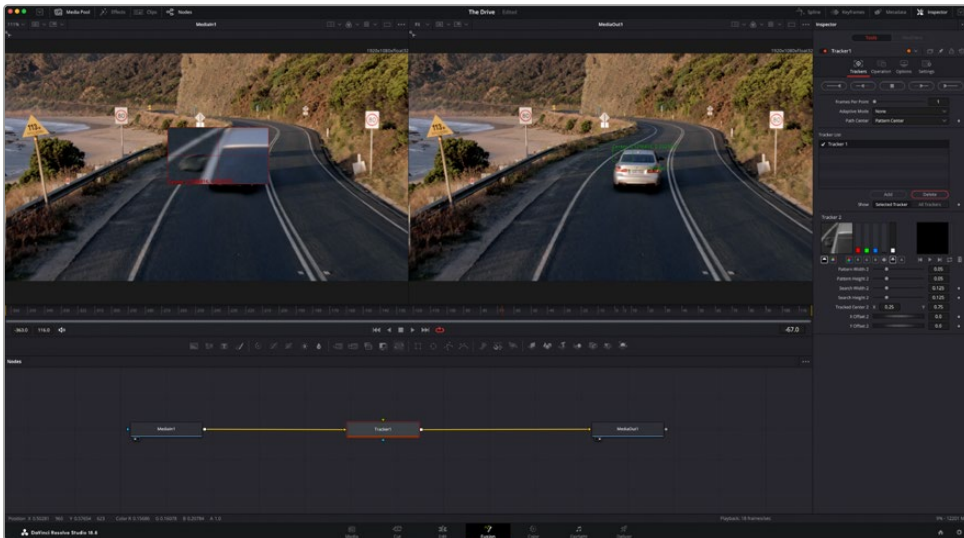
‘Spline’ 창을 통해 키프레임 애니메이션을 추가적으로 제어할 수 있습니다. 처음과 마지막 부분의 키프레임을 선택한 다음 [Shift + S] 키를 입력하면 두 키프레임 사이의 애니메이션이 부드러운 베지어 커브를 그리도록 만들 수 있습니다. 아니면 키프레임을 우클릭한 다음 ‘Smooth’를 선택해도 동일한 기능이 적용됩니다.

모션 트래커 사용과 텍스트 추가 방법

Fusion 사용법에 대한 이해를 돕기 위하여 다음 예시를 통해 클립에서 트래커 기능 사용하는 방법과 트래킹 데이터를 사용하여 텍스트를 추가하고 요소에 연결하는 방법을 설명하겠습니다.

Tracker 도구는 X/Y 축의 픽셀을 지속적으로 추적한 후 데이터를 생성하여, 이를 해당 픽셀에 다른 요소를 추가하는데 사용할 수 있습니다. 이는 길을 따라 움직이는 차량이나 프레임을 가로질러 날아가는 새와 같이 움직이는 사물에 텍스트를 매칭시키기 매우 유용한 기능입니다.

- 1 ‘Effects Library’에서 ‘Tracker’ 도구를 선택하여 ‘MediaIn’과 ‘MediaOut’ 노드 사이의 선 위로 드래그하세요. 이제 ‘트래커 노드’를 클릭하여 인스펙터 속성을 확인하세요.
- 2 키보드에서 숫자 [1]을 입력하면 왼쪽 뷰어에서 트래커 노드를 확인할 수 있습니다. 트래커 노드가 클립과 함께 뷰어에서 기본 설정된 위치에 나타납니다. 트래커 위에 마우스 포인터를 가져다 대면 트래커 핸들이 나타납니다. 왼쪽 상단 코너의 ‘트래커 핸들’을 클릭한 후, 트래커를 원하는 클립 영역으로 드래그하세요. 이 기능은 자동차 보닛의 상표처럼 고대비를 이루는 부분을 작업하는데 적합합니다. 트래커로 이미지 영역을 확대해 아주 정밀하게 작업할 수 있습니다.
- 3 인스펙터 창을 띄운 채로 ‘Track Forward’ 버튼을 클릭하면 트래킹이 시작됩니다. 트래킹이 완료되면 알림창이 나타납니다. ‘OK’를 클릭하세요.

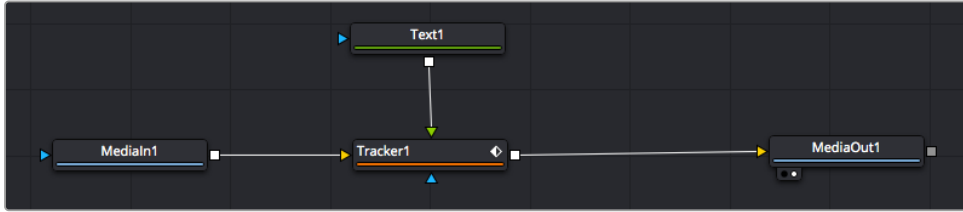


인스펙터 창의 트래킹 기능 중에는 이전 또는 현재 프레임에서부터 뒤로 가기, 트래킹 중지, 현재 프레임 또는 첫 번째 프레임에서부터 앞으로 가기 등이 있습니다.

정보 현재 프레임의 뒤로 가기/앞으로 가기 트래킹 기능은 차량이나 새가 프레임 밖으로 사라지는 경우처럼 렌더링 도중 작업하던 부분이 사라지는 상황에서 매우 유용합니다. 이를 통해 필요한 영상만을 트래킹할 수 있습니다.

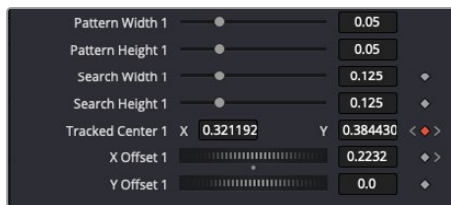
이제 트래킹 데이터를 가져와 텍스트 도구에 움직임 경로를 적용할 수 있습니다.

- 4 자주 사용되는 노드 툴바에서 'Text+' 노드 아이콘을 클릭한 다음, 노드 창 안의 트래커 노드 근처로 드래그하세요. 'Text' 노드의 출력 점을 'Tracker' 노드의 초록색 입력 점과 연결하세요.



- 5 'Tracker' 노드를 클릭한 후 '1' 을 입력하면 왼쪽 뷰어에서 합쳐진 결과를 확인할 수 있습니다. 트래커 인스펙터 창에서 'Operations' 탭을 클릭하세요. 'Operation' 옆에 있는 메뉴를 클릭한 다음 'Match Move'를 선택하세요.
- 6 이제 'Text' 노드를 클릭하여 인스펙터 속성을 확인하세요. 텍스트 상자 안에 텍스트를 입력한 후 폰트, 색상 및 크기를 합성 작업에 맞게 변경하세요.

이를 통해 트래커의 트래킹 위치 데이터가 텍스트에 적용됩니다. 텍스트 오프셋을 변경하려면 인스펙터 패널의 'Tracker' 탭을 클릭한 후 X/Y 오프셋 스크롤 휠을 사용하여 위치를 변경할 수 있습니다.



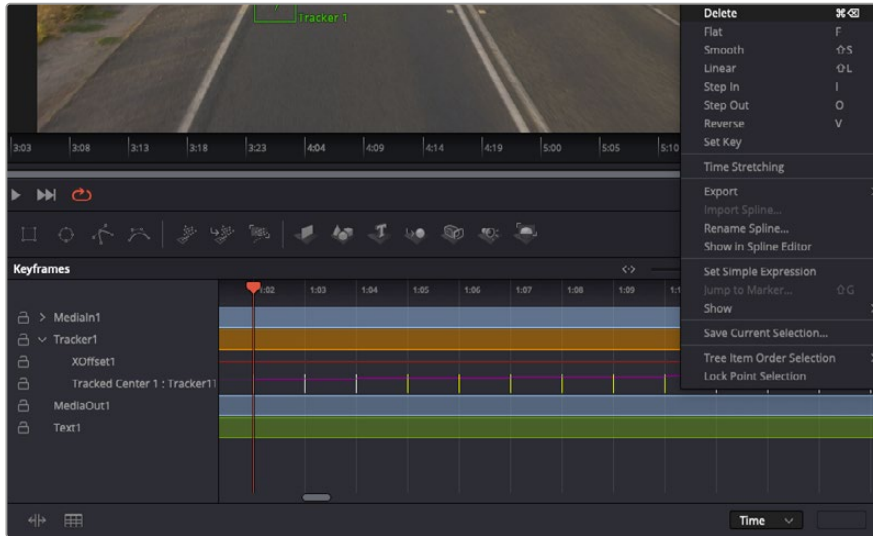
트래커 'Inspector' 창의 하단에 있는 스크롤 휠을 통해 텍스트의 오프셋 위치를 조정할 수 있습니다.

이제 합성 장면을 재생하여 트래킹한 영상 속에 텍스트가 추가된 것을 확인할 수 있습니다.



초록색 상자는 초록색 선 상 트래커의 현재 위치를 나타내며, 빨간색 점선은 텍스트 애니메이션에 사용된 오프셋 위치를 나타냅니다.

추적하던 사물이 더 이상 등장하지 않을 경우엔 트래킹 포인트를 제거하고 싶을 수도 있습니다. 이때 키프레임 창을 사용하면 트래킹 포인트를 손쉽게 처리할 수 있습니다.



- 7 'Inspector' 창 상단의 'Keyframes' 탭을 클릭하여 키프레임 창을 여세요. 키프레임이 적용된 모든 노드의 라벨 옆에 작은 화살표가 생기며, 키프레임이 추가된 파라미터만이 아래 목록에 나타납니다. 돋보기 아이콘을 클릭하여 편집하려는 영역을 박스 모양으로 드래그하세요. 그러면 해당 영역이 zoom되어 키프레임을 좀 더 손쉽게 볼 수 있습니다.
- 8 원하는 이전 키프레임 위치로 재생 헤드를 이동하세요. 이제 제거하려는 키프레임을 선택하려면 마우스를 드래그하여 키프레임 주변에 박스 모양의 테두리를 만드세요. 키프레임이 노란색으로 빛나는 것을 확인할 수 있습니다. 마우스를 우클릭한 다음 메뉴에서 'Delete'를 선택하세요.

정보 시스템 중심적인 효과 작업에서는 트랜스포트 컨트롤을 우클릭하면 프록시 재생 등의 뷰어 옵션이 나타나 합성 작업 시 시스템 기능을 최대한 활용할 수 있습니다. 모든 재생 기능에 대한 자세한 정보는 DaVinci Resolve 설명서를 참고하세요.

이렇게 영상 속 움직임에 맞추어 텍스트 애니메이션을 추가하는 첫 번째 합성 작업이 끝났습니다.

영상 속에서 맛있게 보이는 부분을 좀 더 살리거나 교체하려면 플래너 트래킹 기능을 사용할 수 있습니다. 2D 면을 트래킹하면 움직이는 영상 속의 라벨과 사인을 변경하거나 심지어는 숲에 나오는 모니터나 TV에 이미지를 추가하는데 도움이 됩니다.

DaVinci Resolve Fusion 페이지의 플래너 트래커와 다양한 뛰어난 도구 모음에 대한 더 자세한 정보는 DaVinci Resolve 설명서를 참고하세요.

정보 Fusion 페이지에서 시각 효과를 제작할 경우, 2D 효과 또는 3D 효과 작업에 따라 사용할 합치기 도구가 달라진다는 점을 기억하세요. 하나의 합성 작업에서 2D와 3D 효과를 함께 사용해야 하는 일이 자주 있을 수 있습니다. 이러한 상황에서는 3D 공간을 사용하는 모든 시각 효과를 2D 합성본으로 합치기 전에 2D 이미지로 렌더링해야 한다는 사실을 기억하세요.

이제, Fusion의 시각 효과와 DaVinci Resolve의 강력한 편집, 컬러, Fairlight 페이지 기능을 즐겁게 사용하시기를 바랍니다. DaVinci Resolve에서는 손가락 끝으로 이 놀랍도록 강력한 기능들을 모두 제어할 수 있으며 무한한 방식으로 사용할 수 있습니다.

편집 영상 마스터링하기

지금까지 편집 및 색보정, 시각효과 적용, 오디오 믹스까지 마쳤으니 이제 다른 사람들과 작업 결과물을 공유할 수 있습니다. 타임라인의 콘텐츠를 단일 파일로 다양한 포맷으로 출력하려면 'Quick Export' 버튼 혹은 메뉴 버튼을 누르거나, 딜리버리 페이지의 추가 기능들을 사용합니다.



딜리버리 페이지는 편집 영상을 보내기를 하는 곳입니다. 다양한 비디오 포맷과 코덱을 선택할 수 있습니다.

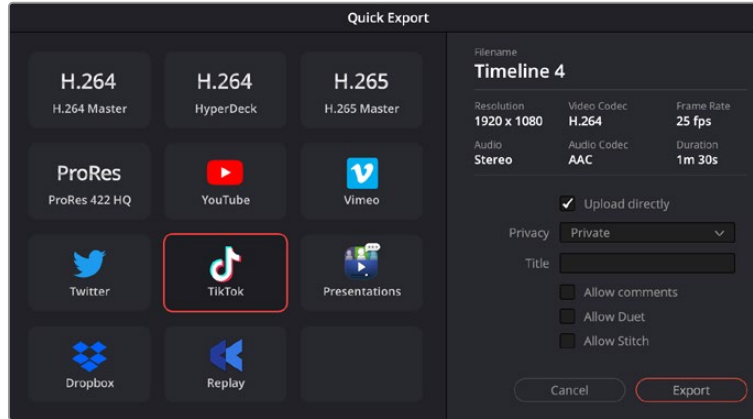
Quick Export

'File'에서 'Quick Export'를 눌러 다양한 익스포트 프리셋 기능들을 사용해 보세요. DaVinci Resolve의 어느 페이지에서나 제작한 결과물을 내보낼 수 있습니다. 또한, 이 기능을 통해 YouTube, Vimeo, Twitter, Frame.io. 등의 지원 비디오 공유서비스로 프로그램을 즉각 업로드 할 수 있습니다.

Quick Export 기능 사용하기

- 1 컷/편집/Fusion/컬러 페이지에서 내보내고 싶은 부분을 타임라인에서 인/아웃 포인트로 설정하세요. 타임라인에 인/아웃 포인트가 설정되지 않은 경우, 전체 타임라인에 내보내기 기능이 적용됩니다.
'File' > 'Quick Export'를 선택하세요.
- 2 'Quick Export' 창에 있는 상단 아이콘 줄에서 프리셋을 선택하세요. 온라인 계정으로 동시에 업로드하려면, 'Sign In'을 클릭해 'Upload Directly' 확인란을 클릭한 다음 세부 정보를 입력하세요. 그런 다음 'Export'를 클릭하세요.
- 3 대화창에서 디렉토리 위치를 선택한 후 파일명을 입력한 다음 'Save'를 클릭하세요. 진행 창이 나타나며 내보내기에 걸리는 시간을 보여줍니다.

참고 TikTok과 같은 온라인 계정으로 영상을 직접 업로드할 경우, DaVinci Resolve의 인터넷 계정 설정을 사용해 로그인할 수도 있습니다. 해당 설정은 DaVinci Resolve 설정의 ‘System’ 탭에서 찾을 수 있습니다.



프로젝트를 내보낼 때 TikTok으로 영상을 직접 업로드하려면, ‘Upload Directly’ 확인란을 클릭한 다음 세부 정보를 입력하세요.

딜리버리 페이지

이 페이지에서 보내기 하려는 클립의 범위, 포맷, 코덱, 해상도 등을 선택할 수 있습니다. 8비트 및 10비트 비압축 RGB/YUV, ProRes, DNxHD, H.264 등의 코덱을 사용해 QuickTime, AVI, MXF, DPX 같은 다양한 포맷으로 보내기 할 수 있습니다.

편집 영상을 하나의 클립으로 내보내기

- 1 ‘Deliver’ 탭을 클릭해 딜리버리 페이지를 여세요.
- 2 좌측 상단의 ‘Render Settings’ 창으로 이동하세요. YouTube, Vimeo, 오디오 프리셋 등 다양한 익스포트 프리셋을 선택하거나, 기본 설정인 Custom 프리셋으로 두고 파라미터를 직접 입력하여 내보내기를 수동으로 설정할 수도 있습니다. 예를 들어, ‘YouTube’를 선택한 뒤 프리셋 옆의 화살표를 클릭해 ‘1080p’ 비디오 포맷을 선택하세요.

프레임 레이트는 보통 프로젝트 프레임 레이트 설정과 동일하게 설정됩니다.

- 3 프리셋 아래쪽에서 타임라인 파일명과 내보내기한 비디오의 저장 위치를 확인할 수 있습니다. ‘Browse’ 버튼을 클릭하고 내보내기 한 파일을 저장할 위치를 선택한 다음, ‘Render’ 옵션에서 ‘Single Clip’을 선택하세요.
- 4 타임라인 바로 위에 ‘Entire Timeline’으로 선택된 옵션 상자가 있습니다. 이 옵션은 전체 타임라인을 출력하며, 원할 경우 타임라인의 특정 부분만 선택해 출력할 수 있습니다. 간단히 ‘In/Out Range’를 선택한 뒤, [i] 및 [o] 단축키를 사용하여 타임라인의 입/출력 포인트를 선택할 수 있습니다.
- 5 ‘Render Settings’ 아래에 있는 ‘Add to Render Queue’ 버튼을 클릭하세요.

설정된 렌더링이 화면 우측의 ‘Render Queue’에 추가됩니다. 이제 ‘Start Render’를 클릭해 ‘Render Queue’에서 진행되는 렌더링 진행 과정을 모니터링하면 됩니다.

렌더링이 완료되면 해당 폴더에서 렌더링된 클립을 더블 클릭해 완성된 편집 영상을 확인할 수 있습니다.

지금까지 편집 및, 색보정, 오디오 믹스, 시각효과를 어떻게 사용하는지에 대한 기본 지식을 습득하였습니다. 이제 DaVinci Resolve로 다양한 기능을 시도해 보세요! DaVinci Resolve 설명서를 참고하시면 각 기능에 대한 설명을 보다 자세히 파악할 수 있습니다.

DaVinci Resolve Studio에서 다음의 'ResolveFX Revival' 플러그인을 사용하면 Cintel Scanner로 스캔한 영상을 복구할 수 있습니다. 이 플러그인은 노이즈 제거 및 스크래치와 결점을 보정하고 다른 눈에 띄는 클립의 아티팩트를 제거해주는 강력한 도구입니다.

자동 먼지 제거

Automatic Dirt Removal 플러그인은 광학 흐름 기술을 사용해 먼지, 이물질, 머리카락 및 원치 않는 아티팩트 등 한 개 또는 두 개 프레임에 일시적으로 나타났다가 사라지는 불안정한 부분을 겨냥해 이를 제거합니다. 프레임 내 디테일은 구조적으로 일관되도록 유지한 채 모든 먼지를 제거하므로 고품질의 이미지 복원 작업을 이뤄낼 수 있습니다. 정교한 작업을 할 수 있음에도 불구하고 이 플러그인은 상대적으로 간단한 사용법을 제공합니다. 샷에 플러그인을 드롭하고, 최상의 결과물을 위한 파라미터를 조절한 다음, 과정을 지켜보면 됩니다.



원본 이미지(좌), 자동 먼지 기능 사용 이미지(우)

참고 이 플러그인은 여러 프레임에 걸쳐 같은 위치에 있는 수직 방향 스크래치에는 성공적인 결과를 얻을 수 없으며, 렌즈에 붙은 먼지로 인해 전체 샷에 나타난 경우에는 전혀 효과가 없습니다.

Main Controls

Main Controls은 이미지 속 먼지 제거를 조절하는데 사용합니다.

Motion Estimation Type

'None', 'Faster', 'Normal', 'Better' 중에서 선택할 수 있습니다. 움직임과 화질 사이에 균형을 조절합니다.

Neighbor Frames

먼지 검출 시 몇 개의 프레임을 비교할 것인지 선택합니다. 더욱 많은 프레임 수를 선택할 수록 처리하는데 많은 시간이 소요되지만, 일반적으로 더욱 많은 먼지 및 아티팩트를 찾아낼 수 있습니다.

Repair Strength

이 슬라이더를 사용하여 검출해낸 먼지 및 아티팩트를 얼마나 공격적으로 수정할 지 선택합니다. 설정값이 낮으면 실제로 먼지가 아닐 수도 있는 작은 것들은 그냥 통과시킬 수 있으며, 설정값이 높으면 발견되는 모든 것을 제거하게 됩니다.

Dirt Size Threshold

이 슬라이더는 제거하기 위해 검출 하려는 먼지의 크기를 조절합니다. 이 파라미터 값을 높이면 스캔 과정에서 발생하는 필름 그레인 같은 것은 놓칠 수 있지만, 작은 입자는 통과될 수도 있습니다.

Show Repair Mask

이 확인란을 선택하면 검출된 먼지 및 아티팩트를 직접 확인할 수 있어 필터를 정교하게 조절하면서 결과물이 어떤지 확인할 수 있습니다.

Fine Controls

성공적인 먼지 제거와 이미지 디테일 유지 사이에 완벽한 균형을 유지하기 위해서 결과물 속 효과를 더욱 미세하게 조정하는 컨트롤입니다.

Motion Threshold

이 슬라이더는 움직임 속 어떤 픽셀을 먼지 및 아티팩트로 인식해야 하는지를 결정하는 최대값을 조정할 수 있습니다. 설정값이 낮을 수록 검출되지 않는 먼지가 더 많을 수 있지만, 모션 아티팩트의 수는 줄일 수 있습니다. 설정값이 높을 수록 제거되는 먼지 수는 더욱 많아지지만, 카메라 또는 피사체 움직임이 있는 영상 속 모션 아티팩트는 더욱 많아질 수 있습니다.

Edge Ignore

이 슬라이더는 먼지 또는 아티팩트 제거로 인해 영상 속에 선명하게 나타나는 테두리를 없애줍니다. 높게 설정할 수록 더욱 많은 테두리가 삭제됩니다.

핫픽셀 수정하기

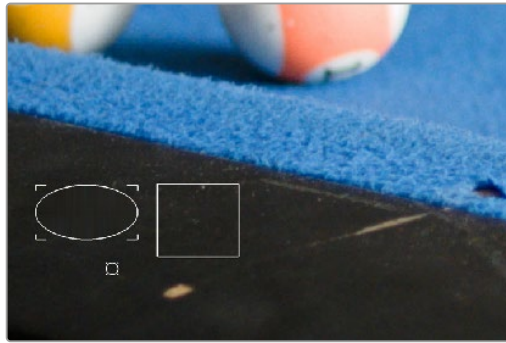
스캐너 영상이나 불러온 이미지에서 특정 색상이나 밝기를 갖는 한 개 이상의 픽셀이 고정적으로 나타나는 경우, DaVinci Resolve의 필터를 사용해 이를 패칭할 수 있습니다. 이 필터는 이러한 핫픽셀 위에 사용할 수 있는 패치를 제공하여 불량 화소를 검출합니다. 따라서 이러한 이미지 영역을 여러 가지 방식으로 깨끗하게 수정할 수 있습니다.

이 필터는 여러 가지 면에서 Dust Buster와 유사하지만, Dust Buster 효과는 한두 프레임 동안만 지속되는 일시적인 먼지를 제거하도록 설계된 반면, 이 필터는 클립 전체에 걸쳐 반점에 대해 실행되도록 설계되었습니다.

핫픽셀 수정하기

- 1 'Dead Pixel Fixer'라고 표시된 필터를 적용한 다음, 뷰어에서 OFX 온스크린 컨트롤을 활성화하세요.
- 2 필터 설정에서 'Place Patch'를 선택한 다음 수정하려는 각 픽셀을 클릭하세요. 이미지 속 원하는 곳 어디든 클릭하여 원하는 만큼 패치를 놓을 수 있습니다.

패치를 이동하려면 원하는 위치로 드래그하여 옮기세요. [option] 키를 누른 상태에서 패치를 클릭하면 패치가 삭제됩니다.



여러 개의 핫픽셀 제거 패치가 적용된 모습

패치를 여러 개 사용할 경우에는 조절하려는 패치를 클릭하여 선택하세요. 패치마다 다른 컨트롤 설정을 가지도록 할 수 있습니다.

General

다음의 최상위 컨트롤을 사용할 경우, 온스크린 컨트롤 사용 여부와 상관없이 결점을 수정하기 위해 프레임 위에 어떻게 패치를 그릴 것인지 선택할 수 있습니다.

Patch Style

다양한 프레임 속 반점을 제거하기 위한 패치를 다음의 세 가지 방식으로 그릴 수 있습니다.

Draw Rect

마우스로 한 지점을 클릭하고 반대 지점으로 드래그하여 원하는 크기의 사각형 패치를 그리세요. 도형이 완성되면 오버레이의 가장자리를 클릭하고 드래그하여 위치를 변경할 수 있습니다.

Draw Ellipse

마우스로 한 지점을 클릭하고 반대 지점으로 드래그하여 원하는 크기의 타원형 패치를 그리세요. 도형이 완성되면 오버레이의 가장자리를 클릭하고 드래그하여 위치를 변경할 수 있습니다.

Place Patch

핫픽셀과 같은 작은 디테일을 위한 작은 패치를 넣을 수 있습니다. 이 옵션을 선택하면 패치를 배치하기 전에 패치 크기를 조정할 수 있는 'New Patch Size(새 패치 크기)' 슬라이더가 나타납니다. 도형이 완성되면 오버레이의 가장자리를 클릭하고 드래그하여 위치를 변경할 수 있습니다.

New Patch Size when Place Patch is Selected

이 옵션을 선택하면 'Place Patch' 도구를 사용해 배치할 패치 크기를 선택할 수 있습니다.

Show Patches

이 확인란을 선택하여 뷰어에 나타나는 모든 패치의 윤곽이 나타나게 또는 나타나지 않게 할 수 있습니다.

Hide During Interaction

패치를 옮기는 동안 뷰어에 나타나는 모든 패치의 윤곽을 나타나지 않도록 숨겨 이미지 속에서 움직이는 패치의 효과를 더욱 효과적으로 확인할 수 있습니다.

Patch Type

선택한 패치의 내용을 수정하는 데 사용할 수 있는 세 가지 방법이 있습니다. 새로운 패치를 그릴 경우, 현재 선택된 패치 유형에 따라 다음 패치가 결정됩니다. 기존 패치를 선택한 경우, 패치 유형을 변경하면 해당 패치의 작동 방식이 변경됩니다.

Spatial

필 방식을 사용하여 선택한 패치 내부가 자동으로 패치 주변의 픽셀로 채워집니다. 이 기능은 작은 반점에 사용하기 좋지만, 큰 반점에 사용하게 되면 효과를 주는 패턴이 눈에 띌 수 있습니다.

Clone

클론 모드는 제거하려는 대상에 배치된 모양 또는 패치에 채울 이미지의 특정 부분을 복사합니다. 이 모드에서는 결점이 있는 부분 위에 사각형 또는 원형을 클릭하고 드래그하여 배치한 다음, 두 번째 클릭으로 복사하려는 샘플 영역의 위치를 결정할 수 있습니다. 마우스를 한 번 클릭하면 패치가 배치되고 두 번째 클릭하면 샘플 영역의 위치가 결정됩니다. 기존 도형 또는 패치를 선택하고 'Clone'을 선택하면, 도형을 클릭해 클론 영역을 결정할 수 있습니다. 샘플 영역은 점선 도형으로 표시되며, 이는 원본 도형과 연결됩니다.

Blend Clone

클론 모드와 비슷한 방식이지만, 사각형, 타원형, 패치로 채워진 이미지 속 복사 부분이 이미지와 블렌딩되어 더욱 부드럽게 통합된다는 차이점이 있습니다.

Fill Method

'Spatial' 패치 유형을 사용할 경우, 'Fill method'를 통해 이미지의 반점을 수정하는 방법을 결정할 수 있습니다.

Grid

사각형, 타원형, 패치 주변의 픽셀을 샘플로 사용하여 도형 안쪽을 수직/수평 방향으로 불러 처리합니다. 작은 반점에 매우 효과적입니다. 커다란 반점에 사용할 경우, 그리드 같은 패턴이 나타날 수 있습니다.

Horizontal

사각형, 타원형, 패치 좌/우의 픽셀을 샘플로 사용하여 도형 안쪽을 불러 처리합니다.

Vertical

사각형, 타원형, 패치 위/아래 픽셀을 샘플로 사용하여 도형 안쪽을 불러 처리합니다.

Patchy

사각형, 타원형, 패치 주변 전체의 픽셀을 샘플로 사용하여 이를 확장하고 불러 처리하는 방식으로, 반점을 수정해야 하는 곳에 부드럽고 균일하지 않은 영역을 생성합니다. 그리드 채우기 방식의 패턴은 없지만, 상당히 부드러운 결과를 얻을 수 있습니다.

Smooth

가우시안 블러를 사용하여 반점을 수정합니다.

Patch Options

다음의 옵션을 사용하여 반점을 채울 패치 효과를 사용자 지정할 수 있습니다.

Mute

키프레이밍을 통해 특정 패치를 켜고 끌 수 있습니다. 하나의 샷에서 몇 개의 픽셀에만 나타나는 반점에 사용하기 좋습니다.

Variability for Spatial Patches

Variability 파라미터 값을 올리면 채우기 방식을 덜 균일하게 적용할 수 있습니다.

Soft Edges

패치 테두리를 부드럽게 만듭니다.

Size Adjust

패치 생성 후, 패치의 크기를 변경할 수 있습니다.

Advanced Controls

다음의 컨트롤을 사용하여 효과의 UI를 사용자 지정할 수 있습니다.

Clone Sticks to Mouse

이 항목을 활성화한 다음 클론 또는 블렌드 클론 모드에서 직사각형, 타원형, 패치를 그리거나 배치할 경우, 샘플 영역 위치 설정으로 바로 전환되어 더욱 빠르게 사용할 수 있습니다.

New Patches Stay Selected

이 컨트롤을 활성화하면 패치 그리기가 완성된 후에도 해당 패치가 선택된 채로 유지되어 추가 커스터마이징 작업이 가능합니다.

UI Line Thickness

온스크린 테두리의 굵기를 결정합니다.

Patches Stick to

이 파라미터를 사용해 안정화된 클립의 핫픽셀 또는 결점을 수정할 수 있습니다.

Source

샷에 이미지 안정화 기능을 적용하지 않는 한 사용하는 패치는 그대로 유지됩니다. 이 경우 패치가 이미지와 함께 움직이며, 소스 클립에서 선택한 기능과 함께 연결되어 유지됩니다.

Scene

움직이는 물체에서 결점을 제거하려는 경우, FX 트래커를 사용하면 움직이는 대상을 트래킹할 수 있어 패치가 함께 움직입니다.

Output Mode

사용자가 생성하는 패치 효과를 다양한 모습으로 확인할 수 있습니다. 4가지 옵션이 제공됩니다.

Patched Result

수정하는 각각의 패치가 결점 위에 함께 나타나는 최종 결과물.

Patch Locations

각각의 패치가 검은 배경의 흰색 키로 나타납니다.

Differences

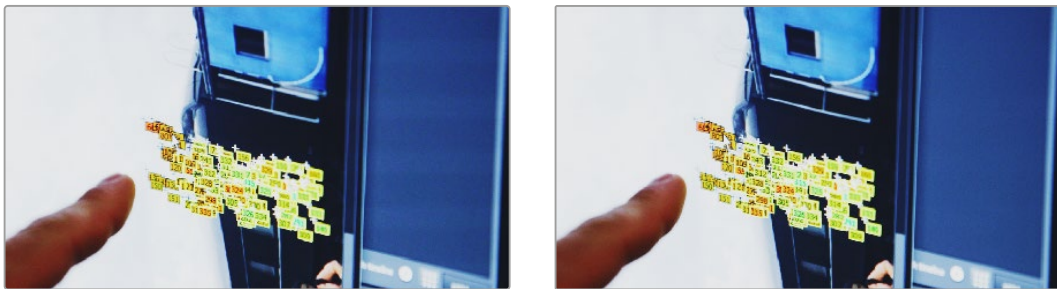
각각의 패치를 원본 이미지와 비교해 나타나는 차이를 보여줍니다.

Difference Magnitude

차이 정도를 더욱 분명하게 보여줍니다.

Deflicker

디플리커(Deflicker) 플러그인은 타임랩스 클립의 깜박임 노출이나 깜박이는 형광등 불빛, 아카이브 필름 소스 영상의 깜빡임 현상 또는 촬영 시 카메라의 셔터 속도 불일치로 인해 일부 비디오 스크린 샷에서 발견되는 '롤링바' 현상 같은 미묘한 부분까지 보정할 수 있습니다. 이 필터의 주요 기능 두 가지를 꼽자면 첫째로 빠르고 일시적으로 불안정한 밝기의 변화만 표적으로 하며, 둘째로는 깜박임 현상이 발생하는 부분만 표적으로 하고 그 이외의 이미지 속 다른 부분은 그대로 보존된다는 점입니다. 이 플러그인으로 인해 한때는 고칠 수 없다고 여겨졌던 문제를 대부분 해결할 수 있습니다.



원본 이미지(좌)와 'Flouro Light' 디플리커가 적용된 이미지(우)

주요 파라미터

이 플러그인 상단에는 하나의 컨트롤이 나타나도록 기본 설정되어 있으며 대부분의 경우 이 컨트롤만 사용합니다.

Deflicker 설정 메뉴

상단에 있는 두 개의 'Timelapse'와 'Flouro Light' 옵션은 두 가지 종류의 깜박이는 아티팩트를 효과적으로 제거하기 위한 프리셋입니다. 이 프리셋 옵션이 생각한 만큼 효과적인 결과로 이어지지 않을 경우, 'Advanced Controls'에 나타나는 플러그인의 핵심 기능인 'Temporal NR' 컨트롤을 사용하여 필요에 맞게 추가 조절을 수행할 수 있습니다.

Temporal NR

이 기능은 기본 설정에서 보이지 않는 기능으로 'Deflicker Setting'을 'Advanced Controls'로 설정할 시에만 나타납니다. 이 기능을 통해 영상 장면에서 움직임을 감지하는 방법을 선택할 수 있으므로, 깜박임이 나타나는 사물 및 주인공의 움직임에 따라 상대적으로 그리고 보다 정확하게 깜박임을 보정할 수 있습니다.

Frames Either Side

이 기능은 움직이고 있는 대상을 분석하기 위해 프레임 수를 구체화합니다. 높은 수치가 항상 더 나은 결과와 연결되는 것은 아니므로, 가장 좋은 설정은 역시 해당 장면의 특성에 맞추어야 합니다. 기본값 '3'입니다.

Mo.Est. Type

DaVinci Resolve에서 움직임 감지하는 데 사용하는 방법을 선택합니다. 사용 가능한 옵션 명칭과 관계없이 어떤 옵션이 가장 효과적으로 작용하는지의 여부는 각 장면의 특징에 많이 좌우됩니다. 'Faster' 기능은 프로세서의 부담을 덜어 줄 수 있지만 정확성이 떨어집니다. 하지만 'Better' 기능을 사용하기에 부담이 되는 매우 섬세한 이미지에는 'Faster' 기능이 오히려 더욱 효과적입니다. 'Better' 기능은 더욱 정확한 반면 프로세서 집약적이며 더욱 많은 디테일을 맞추기 위해 노력하기 때문에 때때로 이런 부분이 문제를 일으킬 수도 있습니다. 'None'은 모션 분석을 모두 비활성화하며, 이 옵션은 움직임이 전혀 없는 신에서 영상을 상당히 빠르게 처리합니다. 기본 설정은 'Better'입니다.

Motion Range

'Small', 'Medium', 'Large'의 세 가지 설정을 통해 탐지해야 하는 프레임 안의 모션 속도를 결정할 수 있습니다.

Luma Threshold

여기서 설정하는 최대값 이상에서는 루마의 변화값을 감박임으로 인식하지 않습니다. 값의 범위는 '0'~'100'이며 '0'으로 설정 시 디플리커 기능을 전혀 적용하지 않고, '100'으로 설정하면 디플리커 기능을 전체 적용합니다. 기본값은 '100'입니다.

Chroma Threshold

여기서 설정하는 최대값 이상에서는 크로마의 변화값을 감박임으로 인식하지 않습니다. 값의 범위는 '0'~'100'이며 '0'으로 설정 시 디플리커 기능을 전혀 적용하지 않고, '100'으로 설정하면 디플리커 기능을 전체 적용합니다. 기본값은 '100'입니다.

Gang Luma Chroma

루마 및 크로마 최대값 슬라이더를 함께 그룹화할 것인지 아닌지를 설정할 수 있습니다.

Motion Threshold

여기서 설정하는 최대값 이상의 움직임은 감박임으로 인식하지 않습니다.

Speed Optimization Options

기본 설정에서 본 옵션은 보이지 않으며, 이 컨트롤 그룹을 열면 다음의 두 가지 컨트롤이 나타납니다.

Reduced-Detail Motion

'ON'이 기본 설정이며 감박임으로 분석되는 디테일의 양을 줄일 수 있습니다. 대부분의 경우, 해당 설정을 통해 시각적으로 큰 차이가 생기지는 않지만, 처리 속도를 올릴 수 있습니다. 클립의 디테일이 너무 지나치게 사라지는 경우엔 이 기능을 비활성화하세요.

Limit Analysis Area Checkbox

이 기능을 활성화하면 샘플 박스가 나타나며, 디플리커 기능 적용을 이미지 내 특정 부분으로 제한할 수 있습니다. 이 기능은 영상의 한 부분만이 감박일 때 유용하게 사용할 수 있으며, 특정 부분에만 적용되기 때문에 처리 속도가 상당히 빨라집니다. 또한 디플리커 기능이 너무 과하게 적용되어 이미지의 다른 부분까지 보정되는 경우에 사용하기 좋습니다.

Restore Original Detail After Deflicker

기본 설정에서는 이 옵션이 보이지 않으며, 이 컨트롤 그룹을 열면 다음의 두 가지 컨트롤이 나타납니다.

Detail to Restore 슬라이더

디플리커 적용을 제외해야 할 그레인, 디테일, 선명한 경계선을 신속하게 제외시켜 미세한 디테일을 그대로 보존할 수 있습니다.

Show Detail Restored

이 확인란을 체크하면 디테일 복원 슬라이더가 감지하고 적용한 경계선 부분을 확인하여 작업을 더욱 세밀하게 조절할 수 있습니다.

Output

'Output' 팝업 메뉴를 통해 디플리커의 출력 옵션을 선택하여 클립의 문제를 보다 정확히 해결할 수 있습니다. 사용 가능한 옵션은 다음과 같습니다.

Deflickered Result

수정된 결과이며, 기본 설정으로 되어 있습니다.

Detected Flicker

이 옵션은 이미지에서 플리커 현상이 나타나는 부분에 하이라이트를 적용하는 마스크를 보여줍니다. 이에 따라 원하는 부분에 정확히 적용되고 있는지 확인할 수 있습니다. 해당 마스크는 눈에 크게 띄지 않을 수 있습니다.

Magnified Flicker

이 옵션은 'Detected Flicker' 마스크의 확대 버전으로, 디플리커 플러그인의 적용 과정을 보다 쉽게 확인할 수 있습니다.

먼지 제거 기능

이 플러그인은 클립에서 흙, 먼지, 기타 결점 및 아티팩트를 제거하지만, Automatic Dirt Removal 플러그인이 만족스럽지 않은 결과를 생성하는 클립의 경우에 사용자가 따로 적용해야만 실행됩니다. 이 기능은 클립을 프레임 별로 움직이며 제거하고자 하는 결점 주변에 박스를 그리는 방식으로 실행됩니다. 박스를 그리고 나면 눈에 거슬리던 결점이 자동으로 제거되어 감쪽같이 사라집니다. 흙과 먼지 제거에 탁월하긴 하지만 아래와 같이 면적이 넓은 얼룩과 반점도 제거할 수 있습니다.



원본 이미지 속 먼지 주변에 박스 그리기(좌), Dust Buster 플러그인이 적용된 결과(우)

먼지를 제거하는 과정은 핫픽셀을 수정하는 작업과 유사하지만, Dust Buster 효과는 한두 프레임 동안만 지속되는 일시적인 먼지를 제거하도록 설계된 반면, 핫픽셀 수정 기능은 클립 전체에 걸쳐 핫픽셀 수정 작업이 유지되도록 설계되었습니다.

General

다음의 최상위 컨트롤을 사용하면 프레임에서 일시적으로 불안정한 먼지를 처리하는 데 사용할 패치를 그리는 방법, 화면 컨트롤 표시 여부 및 방법을 선택할 수 있습니다.

Navigation Controls

4가지의 버튼을 사용하면 패치를 그린 프레임으로 이동할 수 있습니다. 다음의 4가지 버튼을 확인하세요.

First Modified Frame

패치가 있는 클립의 첫 프레임으로 재생 헤드가 이동됩니다.

Previous Modified Frame

패치가 있는 클립의 이전 프레임으로 재생 헤드가 이동됩니다.

Next Modified Frame

패치가 있는 다음 프레임으로 재생 헤드가 이동됩니다.

Last Modified Frame

패치가 있는 마지막 프레임으로 재생 헤드가 이동됩니다.

Patch Style

다음의 다양한 프레임 속 반점을 제거하기 위한 패치를 다음의 세 가지 방식으로 그릴 수 있습니다.

Draw Rect

마우스로 한 지점을 클릭하고 반대 지점으로 드래그하여 원하는 크기의 사각형 패치를 그리세요. 도형이 완성되면 오버레이의 가장자리를 클릭하고 드래그하여 위치를 변경할 수 있습니다.

Draw Ellipse

마우스로 한 지점을 클릭하고 반대 지점으로 드래그하여 원하는 크기의 타원형 패치를 그리세요. 도형이 완성되면 오버레이의 가장자리를 클릭하고 드래그하여 위치를 변경할 수 있습니다.

Place Patch

핫픽셀과 같은 작은 디테일을 위한 작은 패치를 넣을 수 있습니다. 이 옵션을 선택하면 패치를 배치하기 전에 패치 크기를 조정할 수 있는 'New Patch Size' 슬라이더가 나타납니다. 도형이 완성되면 오버레이의 가장자리를 클릭하고 드래그하여 위치를 변경할 수 있습니다.

Size when Place Patch is Selected

이 옵션을 선택하면 'Place Patch' 도구를 사용해 배치할 패치 크기를 선택할 수 있습니다.

Show Patches

이 확인란을 선택하여 뷰어에 나타나는 모든 패치의 윤곽이 나타나게 또는 나타나지 않게 할 수 있습니다.

Hide During Interaction

패치를 옮기는 동안 뷰어에 나타나는 모든 패치의 윤곽을 나타나지 않도록 숨겨 이미지 속에서 움직이는 패치의 효과를 더욱 효과적으로 확인할 수 있습니다.

Patch Type

선택한 패치의 내용을 수정하는 데 사용할 수 있는 여섯 가지 방법이 있습니다. 새로운 패치를 그릴 경우, 현재 선택된 패치 유형에 따라 다음 패치가 결정됩니다. 기존 패치를 선택한 경우, 패치 유형을 변경하면 해당 패치의 작동 방식이 변경됩니다.

Auto

기본 설정된 모드입니다. 테두리 박스를 그리면 현재 클립의 앞쪽 두 개 프레임과 뒤쪽 두 개 프레임을 분석하여 현재 이미지와 비교합니다. 이 다섯 개 프레임 중 최상의 프레임을 사용하여 현 프레임의 결점을 제거합니다. 두 프레임 뒤의 이미지를 사용하면 고정 그레인이 발생하는 일을 막을 수 있어 해당 프레임 이미지가 우선 적용되지만, 이는 현재 프레임의 내용에 적합한 상황일 경우에만 해당됩니다.

+/- 1 Frame

이 모드에서 테두리 박스를 왼쪽에서 오른쪽으로 그리면 바로 다음 프레임을 사용해 결점을 제거합니다. 테두리 박스를 오른쪽에서 왼쪽으로 그리면 이전 프레임이 사용됩니다.

+/- 2 Frame

테두리 박스를 왼쪽에서 오른쪽으로 그리면 두 프레임 뒤의 이미지를 사용해 결점을 제거합니다. 테두리 박스를 오른쪽에서 왼쪽으로 그리면 두 프레임 전의 이미지가 사용됩니다.

Spatial

필 방식을 사용하여 선택한 패치 내부가 자동으로 패치 주변의 픽셀로 채워집니다. 이 기능은 작은 반점에 사용하기 좋지만, 큰 반점에 사용하게 되면 효과를 주는 패턴이 눈에 띌 수 있습니다.

Clone

클론 모드는 제거하려는 대상에 배치된 모양 또는 패치에 채울 이미지의 특정 부분을 복사합니다. 이 모드에서는 결점이 있는 부분 위에 사각형 또는 원형을 클릭하고 드래그하여 배치한 다음, 두 번째 클릭으로 복사하려는 샘플 영역의 위치를 결정할 수 있습니다. 마우스를 한 번 클릭하면 패치가 배치되고 두 번째 클릭하면 샘플 영역의 위치가 결정됩니다. 기존 도형 또는 패치를 선택하고 'Clone'을 선택하면, 도형을 클릭해 클론 영역을 결정할 수 있습니다. 샘플 영역은 점선 도형으로 표시되며, 이는 원본 도형과 연결됩니다.

Blend Clone

클론 모드와 비슷한 방식이지만, 사각형, 타원형, 패치로 채워진 이미지 속 복사 부분이 이미지와 블렌딩되어 더욱 부드럽게 통합된다는 차이점이 있습니다.

Fill Method

'Spatial' 패치 유형을 사용할 경우, 'Fill method'를 통해 이미지의 반점을 수정하는 방법을 결정할 수 있습니다.

Grid

사각형, 타원형, 패치 주변의 픽셀을 샘플로 사용하여 도형 안쪽을 수직/수평 방향으로 불러 처리합니다. 작은 반점에 매우 효과적입니다. 커다란 반점에 사용할 경우, 그리드 같은 패턴이 나타날 수 있습니다.

Horizontal

사각형, 타원형, 패치 좌/우의 픽셀을 샘플로 사용하여 도형 안쪽을 불러 처리합니다.

Vertical

사각형, 타원형, 패치 위/아래 픽셀을 샘플로 사용하여 도형 안쪽을 블러 처리합니다.

Patchy

사각형, 타원형, 패치 주변 전체의 픽셀을 샘플로 사용하여 이를 확장하고 블러 처리하는 방식으로, 반점을 수정해야 하는 곳에 부드럽고 균일하지 않은 영역을 생성합니다. 그리드 채우기 방식의 패턴은 없지만, 상당히 부드러운 결과를 얻을 수 있습니다.

Smooth

가우시안 블러를 사용하여 반점을 수정합니다.

Patch Options

다음의 옵션을 사용하여 반점을 채울 패치 효과를 사용자 지정할 수 있습니다.

Mute

키프레임을 통해 특정 패치를 켜고 끌 수 있습니다. 하나의 슛에서 몇 개의 픽셀에만 나타나는 반점에 사용하기 좋습니다.

Variability

공간 패치에만 해당되며, 이 파라미터 값을 올리면 채우기 방식을 덜 균일하게 적용할 수 있습니다.

Soft Edge

패치 테두리를 부드럽게 만듭니다.

Size Adjust

패치 생성 후, 패치의 크기를 변경할 수 있습니다.

Advanced Controls

다음의 컨트롤을 사용하여 효과의 UI를 사용자 지정할 수 있습니다.

Clone Sticks to Mouse

이 항목을 활성화한 다음 클론 또는 블렌드 클론 모드에서 직사각형, 타원형, 패치를 그리거나 배치할 경우, 샘플 영역 위치 설정으로 바로 전환되어 더욱 빠르게 사용할 수 있습니다.

New Patches Stay Selected

이 컨트롤을 활성화하면 패치 그리기가 완성된 후에도 해당 패치가 선택된 채로 유지되어 추가 커스터마이징 작업이 가능합니다.

UI Line Thickness

온스크린 테두리의 굵기를 결정합니다.

Output Mode

패치 효과의 다양한 표현 방식을 선택할 수 있습니다. 다음의 4가지 옵션을 확인하세요.

Patched Result

각 반점에 적용된 패치를 포함한 최종 결과물입니다.

Patch Locations

각 패치의 위치가 검정색 바탕에 흰색으로 표시되어 패치 위치를 쉽게 확인할 수 있습니다.

Differences

각 패치와 원본 이미지와의 차이를 보여줍니다.

Difference Magnitude

원본과의 뚜렷한 차이를 표현합니다.

노이즈 리덕션

Resolve FX 노이즈 리덕션에는 문제가 있는 클립의 노이즈를 완화하기 위해 컬러 페이지의 노이즈 리덕션 컨트롤을 기반으로 설계된 두 가지 유형의 GPU 가속화 노이즈 리덕션 기능이 있습니다. 두 가지 노이즈 리덕션 방법은 작업에 따라 개별적으로 또는 함께 사용할 수 있으며 그 정도를 조절할 수도 있습니다.

Temporal NR Controls

Temporal Noise Reduction 컨트롤은 노이즈를 디테일과 분리시키기 위해 여러 개의 프레임에 걸쳐 이미지를 분석합니다. 움직임 추정 설정은 움직이는 피사체를 배제하여 적용하는 것으로, 원치 않는 모션 아티팩트가 생기는 것을 방지합니다.

Frames Either Side

노이즈와 디테일을 구분하기 위해 평균화하려는 현재 프레임의 양쪽에 있는 프레임 수입니다. '0'에서 '5'로 설정할 수 있습니다. '0'으로 설정하면 평균 프레임 수가 없으며 숫자가 높을수록 평균 프레임 값이 높아지며 계산 집약적인 작업이 요구됩니다. 프레임 설정을 높게 할수록 더욱 높은 분석을 산출할 수 있지만, 프레임 속에 빠르게 움직이는 장면이 있는 경우, 원치 않는 아티팩트가 생길 수도 있습니다. 움직임이 빠른 영상에서는 값을 '1'로 설정해야 좋은 결과를 산출해낼 수 있습니다. 높은 값을 사용하여 아티팩트가 발생한 경우, 'Motion Threshold'를 조절하여 문제를 해결할 수 있습니다.

Motion Est. Type

다음은 DaVinci Resolve에서 이미지의 움직임을 감지하는 데 사용하는 방법입니다. 'Faster(빠르게)' 기능은 프로세서에 부담을 덜 주지만 정확성이 떨어집니다. 'Better(개선)'를 선택하면 움직임을 더욱 정확하게 배제시킬 수 있지만 집중적인 처리능력이 요구됩니다. 'None(사용 안 함)'은 움직임 추정 기능을 비활성화시키므로 시간적 노이즈 리덕션을 전체 영상에 적용하는 결과를 제공합니다.

Motion Range

'Small', 'Medium', 'Large' 옵션은 움직임 추정 기능 시, 배제해야 하는 움직임의 속도를 결정합니다. 'Small(낮음)' 설정에서는 피사체가 작게 또는 거의 모션 블러가 없는 작은 움직임을 가지고 있다고 추정하며, 주어진 'Motion threshold(움직임 최대값)'에 주어진 설정값 내에서 더 많은 이미지에 시간적 노이즈 리덕션 기능이 적용됩니다. 'Large(높음)' 설정은 블러를 포함한 빠른 움직임이 해당 이미지의 큰 영역을 차지하는 경우를 가정하여 동일한 'Motion threshold(움직임 최대값)' 설정에서 더 많은 이미지가 일반 노이즈 리덕션 대상에서 제외됩니다. 'Motion threshold' 파라미터 값을 조절할 시 노이즈 리덕션과 모션 아티팩트의 도입 중, 가장 효과적인 설정 방식을 선택하세요.

Temporal Threshold Controls

'Temporal threshold'를 사용하면 어느 이미지 특성에 노이즈 리덕션이 많이 적용되는 지를 조절할 수 있습니다.

Luma Threshold

이미지 속 루마 요소에 시간적 노이즈 리덕션을 얼마나 적용해야 하는지를 결정합니다. 설정 범위는 '0'~'100' 사이이며, '0'은 노이즈 리덕션을 전혀 사용하지 않고 '100'은 최대값을 적용합니다. 너무 높게 설정하면 이미지의 미세한 디테일이 제거될 수 있습니다.

Chroma Threshold

이미지 속 크로마 요소에 시간적 요소를 얼마나 적용해야 하는지를 결정합니다. 설정 범위는 '0'~'100' 사이이며, '0'은 노이즈 리덕션을 전혀 사용하지 않고 '100'은 최대값을 적용합니다. 너무 높게 설정하면 이미지의 미세한 디테일이 제거될 수 있습니다. 그러나 크로마 최대값을 눈에 띄는 아티팩트 업싱 루마 최대값보다 높게 올릴 수 있습니다.

Gang Luma Chroma

보통 루마 최대값과 크로마 최대값 파라미터를 하나로 합쳐 두 개를 동시에 조절합니다. 그러나 이 확인란을 비활성화하면 파라미터 목음이 해제되어 노이즈가 가장 심한 위치에 따라 이미지의 각 구성 요소에 대해 노이즈 리덕션 정도를 조정할 수 있습니다.

Motion

움직이는 픽셀과 정지해 있는 픽셀을 구분 짓기 위한 최대값을 결정합니다. 움직이는 픽셀은 최대값보다 높고 정지해 있는 픽셀은 최대값보다 낮습니다. 모션 추정 기능 실행 시, 시간적 노이즈 리덕션은 'Motion'에 설정된 최대값보다 높은 이미지 구역에는 적용되지 않습니다. 이는 프레임 평균값을 이미지 속 움직이는 부분에 적용하지 않음으로써 모션 아티팩트 현상을 방지하기 위함입니다. 낮은 설정값은 시간적 노이즈 리덕션의 제외 대상을 늘리는 동시에 더욱 정교한 움직임에만 집중합니다. 높은 설정값은 시간적 노이즈 리덕션의 대상을 늘리는 동시에 더욱 빠른 움직임을 가진 이미지를 생략합니다. '0'~'100' 사이에서 선택할 수 있으며 '0'은 시간적 노이즈를 픽셀에 적용하지 않으며, '100'은 모든 픽셀에 시간적 노이즈 리덕션을 적용합니다. 대부분 클립에 가장 적절한 기본값은 '50'입니다. 움직임 최대값을 너무 높게 설정하면 이미지 속 움직이는 부분에 아티팩트 현상이 나타날 수 있다는 점을 기억하세요.

Blend

시간적 노이즈 리덕션이 '0'인 이미지와 '100'인 이미지 사이에 디졸브 효과를 줄 수 있습니다. 블렌드 파라미터는 시간적 노이즈 리덕션을 강하게 사용할 때의 차이를 완화할 수 있습니다.

Spatial NR Controls

'Spatial noise reduction' 컨트롤은 이미지 전체에 걸쳐 노이즈 현상 발생이 잦은 부분을 부드럽게 하는 동시에 디테일은 보존하여 이미지 화질이 낮아지는 것을 방지합니다. 시간적 노이즈 리덕션으로 해결되지 않는 노이즈 감소에 효과적인 방법입니다.

Mode

'Mode' 메뉴를 사용하면 세 가지 다른 알고리즘 간 공간적 노이즈 리덕션을 전환할 수 있습니다. 세 모드 모두 동일한 컨트롤을 사용하므로 동일한 설정을 사용해 세 개의 모드를 전환하며 결과물을 비교할 수 있습니다.

Faster

'Faster' 값이 낮을 시, 컴퓨터 집약도가 낮은 방식의 노이즈 리덕션을 수행하지만, 높은 설정값을 적용할 시 아티팩트 현상을 유발할 수 있습니다.

Better

공간적 노이즈 리덕션 컨트롤을 전환하여 'Faster'보다 훨씬 뛰어난 결과를 생성하는 더 높은 품질의 알고리즘을 사용하며, 렌더링 시 프로세서 집약적이며, 각 색상 구성 요소의 개별 조정을 위한 루마 최대값 및 크로마 최대값 슬라이더 분리가 불가능합니다.

Enhanced

노이즈를 제거하기 위해 공간적 최대값 슬라이더를 올릴 때 이미지 선명도와 세부 사항을 훨씬 더 잘 보존합니다. 이러한 개선은 공간적 노이즈 리덕션 최대값 슬라이더가 높은 값으로 설정될 때 두드러집니다. 여기서 높은 값의 정의는 작업중인 이미지에 따라 다릅니다. 이 파라미터의 값이 낮을 시, 프로세서 집약도가 낮은 'Better' 모드를 실행한 경우보다 미묘한 개선이 나타날 수 있습니다. 또한

프로세서 집약도가 높은 'Enhanced'를 사용하면 루마 최대값 및 크로마 최대값 슬라이더를 서로 분리할 수 있어 이미지 특성에 맞춰 각 색상 구성 요소에 다른 노이즈 리덕션을 적용할 수 있습니다.

Radius

'Large'와 'Medium', 'Small'에서 선택할 수 있습니다. 'Radius' 값이 낮을수록 더욱 강력한 실시간 성능을 제공하며 루마와 크로마 최대값이 낮을 경우, 좋은 화질을 제공합니다. 하지만 낮은 노이즈 리덕션 설정값을 사용할 경우, 디테일이 많은 곳에 더욱 많은 에일리어싱 현상이 발생할 수 있습니다.

'Radius'를 점진적으로 더 크게 설정하면 높은 루마 및 크로마 최대값에서 시각적 디테일이 더 높은 영역의 품질이 높아지지만 처리 속도는 느려집니다. 'Medium'은 평균적인 노이즈 리덕션 설정을 사용할 때 대부분의 이미지에 적합한 품질을 제공합니다. 대부분의 운영 방식과 마찬가지로 화질과 속도 사이에 균형 조절이 가능합니다.

Spatial Threshold Controls

'Spatial threshold' 파라미터를 사용하면 어느 이미지 특성에 노이즈 리덕션이 많이 적용되는 지를 조절할 수 있습니다.

Luma

이미지 속 밝은 요소에 얼마나 크게 혹은 작게 노이즈 감소 기능을 적용할 지를 결정합니다. 설정 범위는 '0'~'100' 사이이며, '0'은 노이즈 리덕션을 전혀 사용하지 않으며 '100'은 최대값을 적용합니다. 너무 높게 설정하면 이미지의 미세한 디테일이 제거될 수 있습니다.

Chroma

노이즈 발생이 잦은 부분의 노이즈는 제거하고 테두리 부분의 디테일은 선명하게 유지하는 방식으로 이미지 속 색상 요소에 얼마나 크게 혹은 작게 노이즈 감소 기능을 적용할 것인지를 결정합니다. 설정 범위는 '0'~'100' 사이이며, '0'은 노이즈 리덕션을 전혀 사용하지 않으며 '100'은 최대값을 적용합니다. 너무 높게 설정하면 이미지의 미세한 디테일이 제거될 수 있습니다. 그러나 크로마 최대값을 눈에 띄는 아티팩트 없이 루마 최대값보다 높게 올릴 수 있습니다.

Gang Luma Chroma

보통 루마 최대값과 크로마 최대값 파라미터를 하나로 합쳐 두 개를 동시에 조절합니다. 하지만 이 두 개의 파라미터를 각각 나눠서 사용할 경우 노이즈 현상이 심각한 부분에 따라 이미지 속 성분의 노이즈 감소 양을 각각 다르게 조절할 수 있습니다. 예를 들어, 노이즈 감소가 특정 수준에 이르면 이미지가 너무 소프트해지고 루마 노이즈 현상보다 컬러 스펙클 현상이 더욱 심각한 경우 루마 최대값을 낮춰 디테일은 유지하면서 크로마 최대값을 올려 컬러 노이즈 현상을 제거합니다.

Blend

공간적 노이즈 리덕션의 파라미터 '0'이 적용된 이미지 수준과 파라미터 '100'이 적용된 노이즈 리덕션이 전혀 적용되지 않은 이미지 수준 사이에 디졸브 효과를 줄 수 있습니다. 공간적 노이즈 리덕션 파라미터 값 차이를 크게 하여 사용하면 두 가지를 쉽게 구분할 수 있습니다.

Global Blend

Blend

노이즈 리덕션이 없는 이미지(1.0) 수준과 현재 설정(0.0)에서 공간적/시간적 노이즈 리덕션이 모두 있는 이미지 수준 사이에 디졸브 효과를 줄 수 있습니다.

노이즈 리덕션 사용하기

다음의 단계는 제어를 통해 원하는 결과를 얻기 위한 노이즈 리덕션 파라미터를 사용하는 방법을 제안합니다.

이미지에 노이즈 리덕션 기능 적용하기

- 1 메뉴에 나타나는 'Number of Frames' 설정을 '1'~'5' 사이로 설정하여 시간적 노이즈 리덕션 기능을 활성화하세요. 프레임 수가 높을수록 결과 향상에는 커다란 영향을 끼칠 수 있는지는 사용하는 영상에 따라 다르지만 이 효과의 렌더링 시간을 급격하게 증가시킨다는 점을 명심하세요.
- 2 이미지 속 움직임 크기에 따라 메뉴에 나타나는 'Motion est. type'과 'Motion Range'를 선택하세요. 움직임이 많을 경우, 'Better'과 'Large'를 선택하는 것이 좋습니다. 움직임이 적을 경우 이보다 낮은 설정을 선택하는 것이 바람직합니다.
- 3 루마와 크로마 최대값이 연결된 상태에서 움직이지 않는 영역 내에서 노이즈 리덕션 적용 효과가 보이기 시작할 때까지 원하는 파라미터를 천천히 올리세요. 그런 다음 아티팩트를 생성하거나 디테일을 너무 부드럽게 하지 않는 선에서 조금씩 조절해 추가할 수 있는 최대 양을 확인하세요.
- 4 이미지 속 크로마 노이즈가 루마 노이즈보다 훨씬 높을 경우, 루마 노이즈가 만족할 만큼 감소했을 때 루마/크로마 연결 기능을 비활성화한 뒤, 크로마 최대값을 높여 컬러 스펙클을 해결하세요.
- 5 노이즈 리덕션의 가능한 최대값과 모션 아티팩트 방지 사이의 균형이 만족스럽지 않은 경우가 발생했다고 가정할 경우, 모션 최대값을 조정하여 노이즈 리덕션 작업에서 더 많은 모션을 생략하도록 낮추거나 더 많은 모션을 포함하도록 높이는 것이 좋습니다. 그럼에도 만족스러운 결과를 얻지 못할 경우, 'Motion est. type'과 'Motion Range'를 'Better'로 설정해보세요.

시간적 노이즈 리덕션 기능의 강도는 이미지 속 움직이지 않는 부분의 노이즈 현상을 줄이기 위험입니다. 움직이지 않는 부분의 노이즈 감소와 움직이는 구간의 모션 아티팩트 방지 간의 완벽한 균형을 찾은 경우, 공간적 노이즈 리덕션 기능을 사용하여 영상 전체에 남아있는 노이즈를 확실하게 제거하세요.

- 6 루마 또는 크로마 최대값을 올려 노이즈 리덕션과 원치 않는 이미지의 소프트 현상 증가 사이의 적절한 균형이 이루어질 때까지 공간적 노이즈 리덕션을 적용하세요. 루마와 크로마 최대값은 기본 설정으로 연결되어 있습니다.
- 7 공간적 노이즈 리덕션 모드의 팝업 메뉴에서 최상의 결과를 산출해 내는 'Better'를 선택할 것을 권장합니다. 하지만 이는 집중적인 처리 능력을 요구하므로 실시간 결과가 필요할 경우에는 'Faster'로 모드를 전환하여 결과물을 비교해볼 수 있습니다.
- 8 이미지 속 크로마 노이즈가 루마 노이즈보다 훨씬 높을 경우, 루마 노이즈가 만족할 만큼 감소했을 때 루마/크로마 연결 기능을 비활성화한 뒤, 더욱 과감한 공간적 노이즈 리덕션 기능을 적용하도록 크로마 최대값을 높여 컬러 스펙클을 해결하세요.
- 9 눈에 보이는 노이즈 현상을 줄이기 위해 공간적 노이즈 리덕션의 루마 최대값 또는 크로마 최대값을 높게 설정했을 때 디테일 부분이 약간 투박하고 에일리어싱 현상이 나타나는 것처럼 보인다면, 'Radius' 메뉴에서 'Large'를 높게 설정하여 해당 장면을 더욱 자세하게 분석하도록 하세요.
이렇게 하면 더욱 시각적으로 더욱 화질이 좋은 결과를 제공하지만, 사용하는 시스템에서 적절한 GPU를 지원하지 않을 경우 노이즈 리덕션 라디우스 설정을 높일수록 처리 속도가 느려져 실시간 성능 또한 줄어들 수도 있습니다.
- 10 적절한 노이즈 감소를 위한 설정을 발견하였지만, 영상 결과가 너무 거칠고 부자연스러울 경우에는 공간적/시간적 노이즈 리덕션 기능의 블렌드 파라미터 값을 높여 각 컨트롤에서 추가된 노이즈 리덕션과 노이즈 리덕션을 추가하기 전 이미지 간을 흐릿하게 만드세요.

먼저 시간적 노이즈 리덕션을 적용한 다음 공간적 노이즈 리덕션을 적용하세요

시간적 노이즈 리덕션은 노이즈 분리를 위해 여러 프레임을 분석하기 때문에 움직임이 거의 없는 이미지 영역에서 디테일을 더 정확하게 유지하는 경향이 있습니다. 시간적 노이즈 리덕션을 먼저 적용하고 성공적인 결과를 얻으면 이미지의 일부에서만이라도 공간적 노이즈 리덕션을 줄여 최종 결과의 전반적인 품질을 향상시킬 수 있습니다.

시간적 노이즈 리덕션은 움직이지 않는 이미지 부분에 효과적이지만, 움직이는 물체를 다룰 때는 그 효과가 떨어집니다. 공간적 노이즈 리덕션은 움직임이 있는 경우에도 최대값 아래로 떨어지는 프레임의 모든 곳에서 노이즈를 줄일 수 있습니다. 궁극적으로 이 둘의 조합은 서로 완벽하게 보완하는 최상의 조합입니다.

공간적 노이즈 리덕션 반경은 얼마나 넓어야 할까요?

더 큰 노이즈 리덕션 반경(Radius) 설정은 공격적인 공간적 노이즈 리덕션을 사용하는 곳에서 높은 디테일 영역의 품질을 극적으로 향상시킬 수 있지만 항상 가장 높은 정밀도를 제공하는 넓은 반경으로 설정할 필요는 없습니다. 대부분의 경우, 노이즈 리덕션을 적용하는 이미지를 평가할 때 사람의 눈으로 추가적으로 향상된 품질을 인식하지 못할 수 있습니다. 따라서 불필요한 보정으로 처리 시간을 낭비하게 될 수 있습니다.

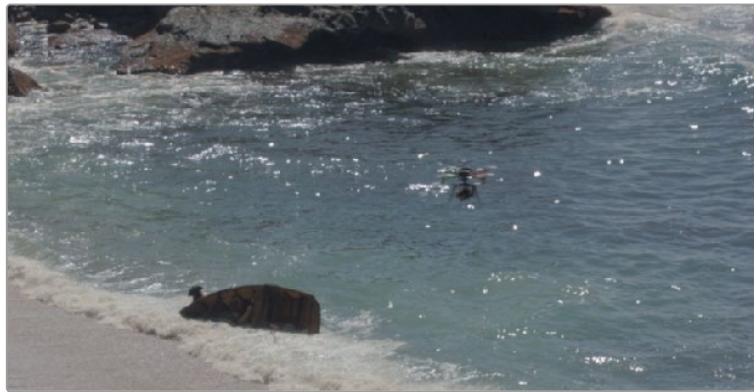
작업 중인 노이즈를 시각적으로 확인할 수 있을 만큼 충분히 큰 디스플레이에서 전체 프레임 이미지를 평가하는 것이 좋습니다. 노이즈 리덕션을 적용하는 동안 클립을 너무 확대하며 이미지의 디테일을 확인할 경우, 실제 크기에서는 알 수 없는 미묘한 변화를 생성하기 위해 필요 없이 설정을 높이는 상황을 초래할 수 있습니다.

피사체 제거

‘Object Removal’ 플러그인은 컬러 페이지에서 가장 잘 사용할 수 있으며 DaVinci 뉴럴 엔진을 사용하여 최대한 자동으로 프레임에서 피사체를 제거합니다. 이 플러그인은 일시적으로 안정된 배경을 통과하는 움직이는 물체 또는 카메라가 움직이는 장면에서 렌즈의 먼지로 인한 반점을 제거할 때 가장 잘 작동합니다. 작은 피사체는 큰 피사체보다 더 나은 결과를 보여주지만 실제로 푸티지에 따라 결과는 달라집니다. 피사체 제거 방법은 다음과 같습니다.

클립에서 움직이는 피사체를 제거하기

- 1 다음 예에서는 드론이 장거리로 날아가는 롱 샷입니다. 제거할 피사체 식별을 위해 피사체 제거 플러그인을 사용해 윈도우를 적용하세요.



제거해야 하는 드론이 포함된 원본 샷

간단한 샷의 경우, 피사체 제거 효과를 커넥터 노드에 적용하는 것이 가장 쉬운 경우가 많으므로 해당 노드 내에서 윈도우나 퀴리파이어를 사용하여 제거 할 대상을 분리할 수 있습니다. 바로 본 예에서 이를 적용해 보겠습니다.

- 2 ‘Window’ 팔레트를 사용하여 제거해야 하는 대상 주위에 창을 그리세요. 윈도우나 마스크 사용 시 제거할 대상을 상당히 가깝게 감싸도록 하면 최상의 결과를 얻을 수 있습니다.
- 3 제거하려는 대상과 함께 이동하도록 이 윈도우를 트래킹하거나 키프레임을 적용하세요. 잊지 말아야 할 점은 제거되는 대상에 윈도우를 더 가까이 잡을수록 더 나은 결과를 얻을 수 있으며 이 윈도우의 가장자리를 약간 부드럽게 해주는 것이 좋습니다.

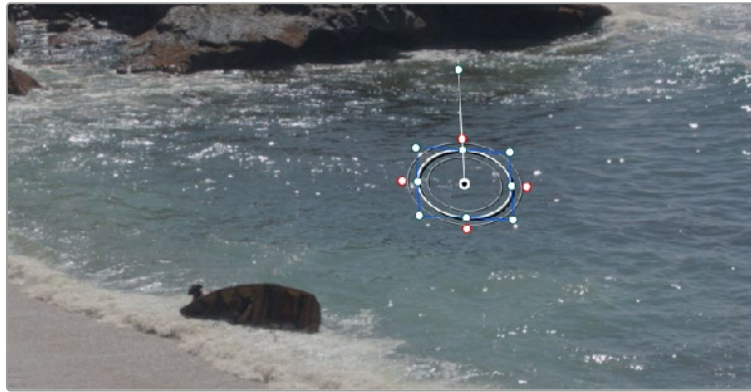


제거 대상은 이제 윈도우에 의해 분리됩니다.

- 4 ‘Object Removal’ 플러그인을 방금 분리한 노드로 드래그하여 놓으세요.

- 5 'Use OFX Alpha' 옵션은 노드의 컨텍스트 메뉴에서 자동으로 활성화 되어 피사체 제거 플러그인이 해당 노드 내에서 생성된 키를 사용하여 작업을 수행 할 수 있도록 합니다.
- 6 'Scene Analysis' 버튼을 클릭하고 분석이 완료될 때까지 기다리세요. 제거하려는 대상이 움직이고 있지만 카메라가 잠겨있는 경우, 'Assume no motion' 확인란을 설정하여 결과를 개선할 수 있습니다.

푸티지가 피사체 제거에 이상적인 경우, 분석이 완료되면 해당 피사체가 사라지고 인접한 프레임의 디테일에서 추출한 자연스러운 배경으로 대체됩니다.

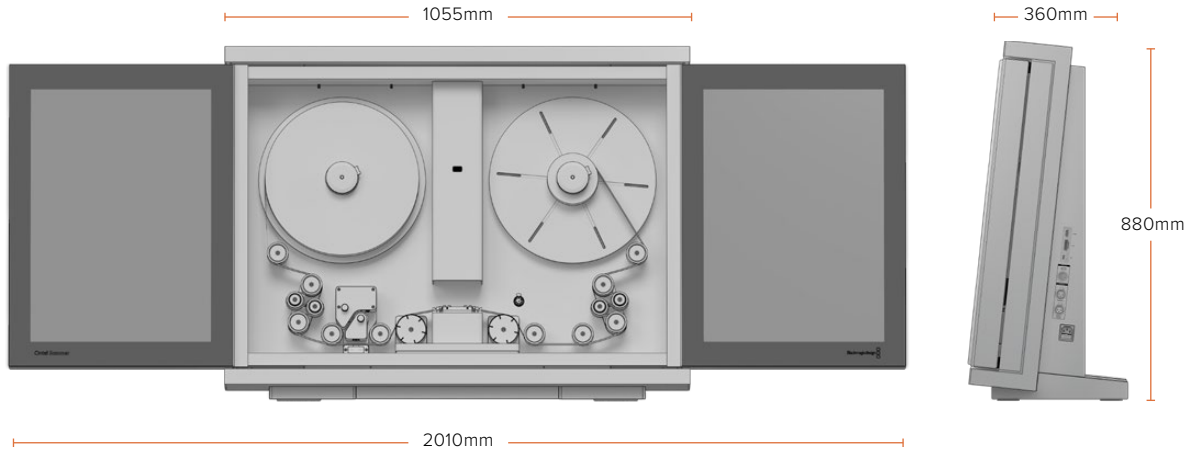


피사체 제거 분석 완료 후 결과 모습

피사체 제거 플러그인은 푸티지 특성에 크게 의존하기 때문에 항상 쉽게 좋은 결과를 얻을 수 있는 것은 아닙니다. 결과에 문제가 있을 시 회색 경계선을 포함하거나 또는 회색으로 채워진 윈도우가 나타납니다. 이 회색은 현재 설정에서 피사체를 제거한 후 대체할 배경 이미지를 찾는데 실패한 위치를 나타냅니다. 이 경우 시도할 수 있는 두 가지 방법이 있습니다.

- 분석 결과를 재생하는 동안 일부 프레임에서 피사체 제거 마스크에 회색 경계선이 있는 것을 발견하면 피사체 제거 플러그인이 대체 이미지 디테일을 찾고 있는 현재 프레임에서, 프레임 단위의 거리인 'Search Range(검색 범위)' 슬라이더를 조정해 볼 수 있습니다. 예를 들어, 검색 범위를 '20'으로 설정하면 현재 위치에서 +/- 20 프레임 또는 총 40 프레임을 검색하게 됩니다. 10개의 프레임을 허용한다는 것은 사용자의 눈으로 매 4번째 프레임을 본다는 것을 의미합니다. 일반적으로 가능한 가장 작은 범위로 설정 시, 최상의 결과를 얻을 수 있습니다.
- 일부 프레임에서 피사체 제거 마스크가 완전히 회색으로 채워져 있으면, 이는 해당 프레임에서 채우는데 필요한 대체 배경을 쉽게 생성할 수 없음을 의미합니다. 이 경우, 'Build Clean Plate' 버튼을 클릭하여 해당 프레임을 채울 수 있는 배경을 최선으로 추측하여 적용하는 방식을 택할 수 있습니다.
- 빈 공간이 성공적으로 채워졌지만 결과가 배경과 잘 섞이지 않은 경우, 블렌딩 모드를 변경해 볼 수 있습니다. 기본 설정은 단순한 복제 작업인 'Linear(선형)'이지만, 더 나은 결과를 제공하는 'Adaptive Blend(적응형 블렌드)'를 선택할 수 있지만, 대체 패치의 가장자리가 배경과 다른 색상이나 밝기를 갖는 경우는 제외입니다.
- 'Scene Mode(장면 모드)' 메뉴는 교체해야 할 영역이 어떻게 움직이는 지에 대한 분석을 개선하고, 제거되는 물체가 남긴 구멍을 채우는 가장 좋은 방법을 결정하기 위해 장면을 분석하는 다양한 방법을 제공합니다. 'Background(배경)'은 피사체 영역을 제외한 전체 이미지를 분석합니다. 'Boundary(경계)'는 피사체 영역을 둘러싼 경계 영역을 분석합니다. 'Object(피사체)'는 카메라가 움직이는 동안 윈도우에 붙은 스티커처럼 배경과 함께 움직이는 피사체를 분석합니다.

사양



무게: 60 kg/132 lb(필름 미장착 시). 면적(벽걸이 설치 시): 높이 - 785mm, 깊이 - 265mm.

스캐너 기능

필름 스톱

- 프린트, 네거티브, 인터포지티브, 인터네거티브.
- 흑백 및 컬러.

필름 게이지

- 35mm: 2, 3, 4 퍼포레이션
- 슈퍼 35mm: 2, 3, 4 퍼포레이션
- 16mm
- 슈퍼 16mm
- 8mm
- 슈퍼 8mm

기본 해상도

4096 x 3072

유효 해상도¹

- 3840 x 2880 - 슈퍼 35
- 3390 x 2465 - 표준 35
- 3390 x 2865 - 애너모픽 35

1903 x 1143 - 슈퍼 16

1581 x 1154 - 표준 16

892 x 638 - 슈퍼 8

752 x 567 - 표준 8

오디오

스캔한 이미지에서 추출.

HDMI 포맷

3840 x 2160 UHD 또는 1920 x 1080 HD (모니터 해상도와의 매칭을 위해 자동으로 선택됨.)

먼지 및 스크래치 리덕션

- 확산 광원
- 클리닝 롤러

마운팅 옵션

- 데스크 설치
- 벽걸이 설치

다이나믹 레인지

- 일반 스캔 시: 12 스탱
- HDR 스캔 시: 최대 3.5 스탱 추가 가능

트랜스포트 기능

운영 속도

스캐닝 속도

1 - 30 fps

셔틀

1 - 100 fps(35mm)

1 - 200 fps(16mm)

필름 수축 허용 오차

최대 2% 보장(사용자 관리에 따라 더 높아질 수 있음).

가속도

5 - 30 fps/s

수용 가능한 최대 필름 길이

2000ft(35mm)

연결

HDMI 비디오 출력

1 x HDMI 1.4 10비트 4:2:2
(미리보기 전용).

옵션 인터페이스

XLR6

컴퓨터 인터페이스²

- 영상 및 음향 캡처,
소프트웨어 업데이트,
USB-C 충전(15W/5V)을
지원하는 Thunderbolt™ 3.

- PCI Express 4레인 2세대.

¹ 크로핑 이미지 영역의 해상도.

² Cintel Scanner에는 1개의 Thunderbolt 2 포트만 탑재되어 있습니다.

³ Cintel Scanner 2 혹은 이후 버전.

바이페이스/타임코드 출력³

- 바이페이스 4.5V DC 연결
- 타임코드 1.5V DC 연결

- 24/25/30 fps의 영상에
타임코드 지원

아날로그 오디오 입력

2채널 전문 균형 아날로그 오디오
(XLR 커넥터에 10dBV 레벨의 샘플
플레이트 변환 장치 탑재)

AES/EBU 오디오 입력

2채널(XLR 커넥터에 샘플
레이트 변환 장치 탑재)

전력 요구량

전압 범위

90 - 240V AC

전원

200W

퓨즈

T5AL' 20mm

필름 보관 최적 조건

작동 온도

18 ~ 28°C

상대 습도

최대 65%(비응축).

운영 체제

Mac, Windows, Linux

액세서리

- Cintel Audio and
KeyCode Reader

- Cintel Scanner
16mm Gate HDR

- Cintel Scanner
8mm Gate HDR

- Cintel Scanner
35mm Gate HDR

- Cintel Cleaning Roller Kit

- Blackmagic PCI
Express Cable Kit

Audio and KeyCode Reader

이퀄라이제이션

광학 오디오 SMPTE,
마그네틱 오디오 IEC

키코드 스캔 지원 속도

모든 스캐너 속도 지원

LED 유형

광학 오디오 및
키코드 딥 레드

오디오 스캔 지원 속도

선택한 필름 레이트에 따라
6fps-125% 지원.

예) 24fps의 필름 프레임 레이트는 최대 30fps의 스캔 속도를 가지며, 16mm 필름은 최소 12fps의 제한 속도를 가집니다.

광학 오디오 지원 유형

- 가변면적방식
- 가변농도방식

오디오 샘플링 레이트 및 비트 심도

48kHz/24비트 PCM WAV 파일

광학 오디오 35mm

대역폭

40Hz-16kHz +-2dB

신호 대 잡음비(SnR)⁴

투명 필름 베이스, -65dB

와우 및 플러터⁵

< 0.15%

광학 오디오 16mm

대역폭

40Hz-7kHz +-2dB

신호 대 잡음비(SnR)⁴

투명 필름 베이스, -65dB

와우 및 플러터⁵

< 0.3%

16mm 싱글 퍼포레이션 마그네틱 스트라이프

압력 크기

15g

대역폭⁶

32Hz-14kHz +-2dB

신호 대 잡음비(SnR)⁴

-55dB

와우 및 플러터⁵

< 0.3%

전체 변조 레벨

-18dBFS

헤드폰 레벨⁷

-18dBu, 50Ω 저항

오디오 연결

XLR6

컴퓨터 인터페이스2

1 X 소프트웨어 업데이트를 위한 USB-C

소비 전력

10W 12 DC 전원

제품 크기

높이: 156mm

너비: 92mm

깊이: 106mm

무게: 1,35kg

⁴ 신호 대 잡음비(SnR)는 주파수 가중치 없이 측정됩니다.

⁵ 와우 및 플러터는 IEC 386 가중치와 함께 측정됩니다.

⁶ 이론상 마그네틱 오디오의 대역폭은 20-20kHz를 지원하도록 설계되어 있지만, 이를 측정할 수 있는 테스트 자료가 없습니다.

⁷ 헤드폰 출력은 미리보기용으로 사용됩니다.

규제 사항



유럽 연합 국가 내의 전기전자제품 폐기물 처리 기준

제품에 부착된 기호는 해당 제품을 다른 폐기물과는 별도로 처리되어야 함을 나타냅니다. 제품을 폐기하려면 반드시 재활용 지정 수거 장소에 폐기해야 합니다. 폐기물 제품을 분리수거 및 재활용으로 처리하는 것은 자연 자원을 보전하고 인간의 건강과 환경을 보호할 수 있도록 폐기물을 재활용할 수 있는 방법입니다. 재활용을 위한 제품 폐기물 장소에 관한 자세한 정보는 해당 지역 시청의 재활용 센터 혹은 해당 제품을 구입한 상점으로 문의하십시오.



본 제품은 테스트 결과 FCC 규정 제15항에 따라 A급 디지털 기기 제한 사항을 준수하는 것으로 확인되었습니다. 해당 제한 사항은 본 제품을 상업적 환경에서 사용할 시 발생할 수 있는 유해 혼선으로부터 적절한 보호를 제공하기 위함입니다. 이 제품은 무선 주파수를 생성 및 사용, 방출할 수 있습니다. 따라서 설명서의 안내에 따라 제품을 설치 및 사용하지 않을 시, 무선 통신을 방해하는 전파 혼선을 일으킬 수 있습니다. 해당 제품을 주거 지역에서 사용할 경우, 유해 전파 혼선이 발생할 가능성이 있으며 이 경우, 사용자는 자체 비용으로 전파 혼선 문제를 해결해야 합니다.

제품 작동은 다음 두 가지 조건을 전제로 합니다.

- 1 본 기기는 유해 혼선을 일으키지 않습니다.
- 2 본 기기는 원치 않는 작동을 일으킬 수 있는 혼신 등의 모든 혼신을 수용합니다.



R-REM-BMD-201804004



ISED 캐나다 성명

본 기기는 캐나다 표준 A급 디지털 장치 규정을 준수합니다.

정해진 사용 목적 이외의 다른 목적의 사용 또는 제품 변경은 표준 규정 위반으로 간주할 수 있습니다.

HDMI 인터페이스 연결 시에는 반드시 고품질의 쉴드 HDMI 케이블을 사용해야 합니다.

이 기기는 업무용 환경에서 사용할 목적으로 적합성 평가를 받은 기기로서, 가정용 환경에서 사용하는 경우, 전파간섭의 우려가 있습니다.

안전 정보

감전 예방을 위하여 본 제품은 반드시 보호 접지가 되어있는 메인 콘센트에 연결해야 합니다. 확실하지 않을 경우, 자격증이 있는 전기공에 연락하십시오.

감전 사고 위험을 줄이기 위해서 본 제품을 물이 튀거나 젖는 곳에 두지 마십시오.

본 제품은 주위 온도가 최대 40°C인 열대 지역에서 사용하기 적합합니다.
(필름에 가장 좋은 환경 온도는 18~24°C입니다.)

공기가 잘 통할 수 있도록 제품을 통풍이 잘되는 곳에 둡니다.

제품 내부에는 사용자가 수리 가능한 부품이 없습니다. 제품 수리는 해당 지역 Blackmagic Design 서비스 센터에 문의하세요.



최대 작동 고도는 해수면 기준 2000m입니다.



주의

Cintel Scanner의 무게는 필름 장착 시 70kg(155lb)에 달합니다. 대형 스크린 TV 보다 훨씬 더 무겁습니다. 스캐너를 설치하려는 벽 또는 책상이 필름을 장착한 스캐너의 무게를 지탱할 수 있는 구조인지 확실하지 않은 경우에는 반드시 안전을 위해 자격을 갖춘 전문 엔지니어의 조언을 구해야 합니다. 제품을 올바르게 설치하지 않을 경우 스캐너가 떨어져 심각한 부상이나 사망 사고를 초래할 수 있습니다.

데스크에 설치하기

스캐너를 책상에 설치하는 동안 스캐너 밑에서 책상 마운팅 나사를 설치하는 경우 작업대가 평평하고 안정적인지 반드시 확인하세요. 마운팅 브래킷과 고정 장치가 스캐너의 무게를 충분히 지탱할 수 있는지 반드시 확인하세요. 작업대 표면이 스캐너의 무게를 지탱할 수 있을만큼 안정적이지 않거나 시간이 흘러 약해질 경우, 스캐너가 떨어져 심각한 부상을 초래할 수도 있습니다.

벽에 설치하기

스캐너를 벽에 설치할 경우 설치하려는 곳이 장기간 사용에 버틸 수 있을 만큼 튼튼한지 반드시 확인하세요. 장시간 사용으로 인해 지탱하는 힘이 충분치 않으면 스캐너가 떨어져 부상을 초래할 수도 있습니다. 하중을 견디지 못하는 곳에는 절대 설치하지 마세요. 마운팅 브래킷과 고정 장치가 스캐너의 무게를 충분히 지탱할 수 있는지 반드시 확인하세요. 설치면의 지지력이 충분치 않은 경우 스캐너가 떨어져 인명 피해를 초래할 수 있습니다.

스캐너를 벽면 또는 책상에 설치할 때는 '반드시' 한 명 이상의 인력이 동원되어야 합니다. 절대 혼자서 설치하려고 시도하지 마세요.

사용

스캐너를 사용하려면 사용자 인터페이스가 필요하며 필름은 수동 장착을 전제로 합니다. 제품이 작동 중일 경우 부상의 위험이 있으니 주의하세요. 필름 스캐닝 시 손가락 및 다른 신체 부위가 스캐너에 닿지 않도록 주의하세요.

캘리포니아주 성명

본 제품을 사용하는 사용자는 제품의 플라스틱 내 폴리브롬화 비페닐에 노출될 수 있으며 캘리포니아주에서는 해당 물질이 암, 선천적 결손증, 기타 생식기능의 손상을 유발하는 것으로 알려져 있습니다.

더욱 자세한 정보는 www.P65Warnings.ca.gov를 확인하세요.

공인 서비스 직원을 위한 경고



정비를 진행하기 전에 두 개의 전원 코드를 뽑으세요.

도움말

가장 빠르게 지원 받을 수 있는 방법은 Blackmagic Design 온라인 고객지원 페이지에 접속하여 ATEM Mini와 관련한 최신 지원 정보를 이용하는 것입니다.

Blackmagic Design 온라인 고객 지원 페이지

Blackmagic 고객 지원 센터(www.blackmagicdesign.com/kr/support)에서 최신 사용 설명서와 소프트웨어, 지원 노트를 확인할 수 있습니다.

Blackmagic Design 포럼

저희 웹사이트에 있는 Blackmagic Design 포럼은 유용한 정보를 제공하는 곳으로, 방문을 통해 자세한 정보와 창의적인 아이디어를 얻을 수 있습니다. 또한 숙련된 사용자나 Blackmagic Design 직원들이 기존에 올려놓은 해결책을 통해 원하는 해답을 얻을 수도 있으므로 신속하게 도움을 받아 한 단계 성장할 수 있는 방법이기도 합니다. 포럼은 <http://forum.blackmagicdesign.com/kr>에서 이용할 수 있습니다.

Blackmagic Design 고객 지원에 문의하기

고객 지원 페이지에서 원하는 정보를 얻지 못한 경우에는 '이메일 보내기' 버튼을 클릭하여 지원 요청 이메일을 보내주세요. 다른 방법으로는, 고객지원 페이지의 '지역별 고객 지원팀 찾기' 버튼을 클릭하여 가장 가까운 Blackmagic Design 고객지원 사무실에 문의하세요.

현재 설치된 소프트웨어 버전 확인하기

Mac/Windows/Linux 컴퓨터에 설치된 DaVinci Resolve 버전을 확인하려면 DaVinci Resolve를 실행하세요. DaVinci Resolve 메뉴 하단의 About DaVinci Resolve를 클릭해 소프트웨어 버전을 확인할 수 있습니다.

Mac 또는 Windows, Linux 컴퓨터에 설치된 Cintel Scanner 소프트웨어의 버전을 확인하려면 Cintel Setup 유틸리티 창을 열어주세요. 'About' 탭에서 소프트웨어 버전을 확인하세요.

최신 버전으로 업데이트하기

컴퓨터에 설치된 ATEM 소프트웨어의 버전을 확인한 뒤, Blackmagic Design 고객 지원 센터(www.blackmagicdesign.com/kr/support)에 방문하여 최신 업데이트를 확인하세요. 가장 최신 버전으로 업데이트할 것을 권장하지만, 중요한 프로젝트를 작업 중일 경우에는 소프트웨어 업데이트를 하지 않는 것이 좋습니다.

상황 보고서 작성하기

Cintel Scanner 소프트웨어는 문제점 진단 및 해결을 위해 생성한 상황 보고서를 Blackmagic 고객 지원 센터에 보낼 수 있습니다. Audio and KeyCode Reader를 설치했다면 이에 대한 상황 보고서도 작성할 수 있습니다.

상황 보고서 작성을 시작하려면, Cintel Setup 유틸리티를 열고 설정 아이콘을 클릭한 다음 'About' 탭으로 이동하세요. 'Device Information' 섹션에서 'Create' 버튼을 클릭하세요. Cintel Scanner와 키코드 리더기 상태를 쉽게 확인할 수 있는 HTML 파일이 생성됩니다.

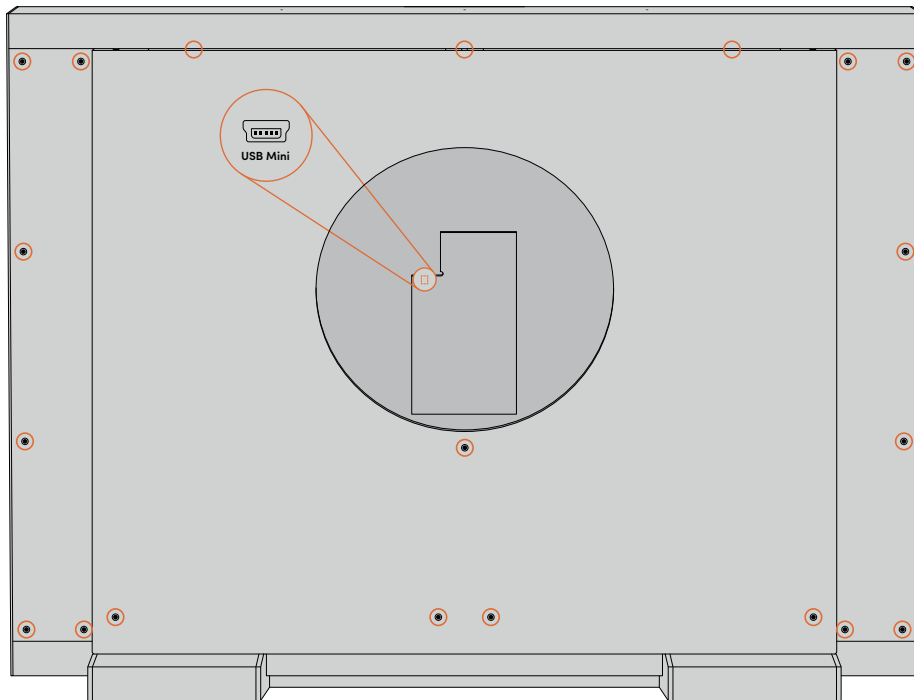
USB 복구

업데이트 도중 연결이 끊기거나 문제가 발생하는 등 예기치 못한 상황에서 Cinteli이 멈춘 경우, 사용하는 컴퓨터를 복구 전용 USB 포트에 연결하세요.

Cinteli에 전원을 공급하고 Thunderbolt 포트 옆에 있는 LED에 초록불이 들어오면 USB 복구 기능 사용이 가능하다는 것을 알 수 있습니다. LED에 빨간불이 들어올 경우 Blackmagic Design 고객 지원팀에 연락하세요.

- 1 Blackmagic Cintel Scanner 뒷면 패널을 제거하세요 시스템 복구를 위한 USB 포트는 패널 상단 중앙에 배치되어 있습니다. 이 USB 포트는 Cintel Scanner 전면을 향해있는 회로판 옆에 있으며 Cintel Scanner 위쪽을 찾을 수 있습니다.

참고 뒷면 패널에 손이 닿지 않아 스캐너를 옮겨야 하는 경우 많이 무거우니 반드시 두 명이 함께 단단한 받침대가 있는 곳으로 스캐너를 안전하게 옮기세요. 더 자세한 정보는 본 설명서의 [제품 개봉 및 설치] 부분을 참고하세요.



뒷면 패널을 열면 USB 복구 포트를 찾을 수 있습니다.

- 2 미니-B USB 케이블을 사용하여 컴퓨터를 USB 복구 포트에 연결하세요.

- 3 Blackmagic Design 웹사이트에서 최신 버전의 Cintel Scanner 소프트웨어를 다운로드하여 컴퓨터에 설치한 후 해당 프로그램을 실행하세요. Cintel Setup 유틸리티에서 Cintel Scanner의 USB 복구 포트에 연결된 컴퓨터를 감지합니다. 'Update Now'를 클릭하세요.



Cintel Setup 유틸리티에서 Cintel Scanner의 USB 복구 포트에 연결된 컴퓨터를 감지합니다.

- 4 복구 업데이트가 완료되면 Cintel Scanner에서 최신 소프트웨어가 정상적으로 운영됩니다. USB 케이블 연결을 해제하고 Thunderbolt 케이블을 연결한 다음, 스캐너의 전원을 다시 켜면 최신 업데이트 운영을 확인할 수 있습니다.
- 5 뒷면 패널을 다시 장착하고 원래 있던 곳에 Cintel Scanner를 다시 설치하세요. 지원이 필요한 경우에는 Blackmagic Design 포럼을 방문하거나 Blackmagic Design 고객센터에 연락하세요.

보증

12개월 한정 보증

Blackmagic Design은 본 제품의 부품 및 제조에 어떠한 결함도 없음을 제품 구매일로부터 12개월 동안 보증합니다. 보증 기간 내에 결함이 발견될 경우, Blackmagic Design은 당사의 결정에 따라 무상 수리 또는 새로운 제품으로 교환해드립니다. 구매 고객은 반드시 보증 기간이 만료되기 전에 결함 사실을 Blackmagic Design에 통지해야 적절한 보증 서비스를 제공받을 수 있습니다. 구매 고객은 지정된 Blackmagic Design 서비스 센터로 결함 제품을 포장 및 운송할 책임이 있으며, 운송 비용은 선불로 지급되어야 합니다. 구매 고객은 또한 이유를 불문하고 제품 반송에 대한 운송료, 보험, 관세, 세금, 기타 비용을 부담해야 합니다.

이 보증은 부적절한 사용, 관리 및 취급으로 인한 파손, 고장, 결함에는 적용되지 않습니다. Blackmagic Design은 다음과 같은 경우에 보증 서비스를 제공할 의무가 없습니다. a) Blackmagic Design 판매 대리인이 아닌 개인에 의해 발생한 제품 손상. b) 부적절한 설치, 사용 및 호환하지 않는 장비와의 연결로 인한 제품 손상. c) Blackmagic Design사의 부품 및 공급품이 아닌 것을 사용하여 발생한 손상 및 고장. d) 제품을 개조하거나 다른 제품과 통합하여 제품 작동 시간 증가 및 기능 저하가 발생한 경우.

Blackmagic Design에서 제공하는 제품 보증은 다른 모든 명시적 또는 묵시적 보증을 대신합니다. Blackmagic Design과 관련 판매 회사는 상품성 및 특정 목적의 적합성과 관련된 모든 묵시적 보증을 부인합니다. BLACKMAGIC DESIGN의 결함 제품 수리 및 교환 관련 책임은 구매 고객에게 제공되는 유일한 배상 수단입니다. Blackmagic Design은 자사 또는 판매 회사에서 관련 위험의 소지에 대한 사전 통보의 여부와 관계없이 모든 간접적, 특별, 우발적, 결과적 손해에 대한 책임을 지지 않습니다. Blackmagic Design은 장비의 불법적 사용과 관련하여 어떤 법적 책임도 지지 않습니다. Blackmagic Design은 본 제품의 사용으로 인해 발생하는 손해에 대해서는 어떤 법적 책임도 지지 않습니다. 제품 사용으로 인해 발생할 수 있는 위험에 대한 책임은 본인에게 있습니다.

© Copyright 2024 Blackmagic Design. 모든 권리 보유. 'Blackmagic Design', 'Cintel', 'DeckLink', 'DaVinci Resolve'는 모두 미국 및 기타 국가에 등록된 상표입니다. 모든 다른 회사명 및 제품 이름은 관련 회사의 등록 상표일 수 있습니다.

Апрель 2024 г.

Руководство по установке и эксплуатации

Blackmagicdesign 

Cintel Scanner



Cintel Scanner



Уважаемый пользователь!

Благодарим вас за покупку нового сканера Cintel.

По сравнению с традиционными устройствами, он позволяет проводить оцифровку киноплёнки в реальном времени без пауз в работе. Cintel Scanner принципиально отличается от систем преобразования кинофильма в видео, потому что отсканированный материал поступает напрямую в приложение DaVinci Resolve через порт Thunderbolt 3 или плату PCIe. Это дает возможность дополнительно выполнять цветокоррекцию, кадрирование, шумоподавление и извлечение звука.

DaVinci Resolve позволяет управлять сканером программным способом, что значительно расширяет творческие возможности оцифровки и набор доступных функций. Благодаря этому приложению максимально полно используются ресурсы компьютера со встроенным или внешним графическим процессором, поэтому устройство не требует дорогостоящих электронных узлов.

Все, что нужно сделать — это отсканировать плёнку в промежуточные RAW-файлы в обычном или широком динамическом диапазоне и объединить материал на временной шкале. После этого легко выполнить шумоподавление, грейдинг и кадрирование, а страница «Экспорт» приложения DaVinci Resolve позволяет получать конечное видео в любом необходимом формате.

Кроме того, мы разработали дополнительные решения, которые помогут оптимизировать рабочий процесс. Среди них устройство Audio and KeyCode Reader, предназначенное для считывания оптического или магнитного звука быстрее скорости воспроизведения. Также оно позволяет передавать служебную информацию напрямую в DaVinci Resolve для включения в клип. Дополнительно сканер поддерживает синхронизацию с подключенной аудиосистемой.

Чтобы узнать больше о функциональных возможностях DaVinci Resolve, можно обратиться к соответствующему руководству пользователя и другим доступным материалам. Кроме того, образовательные центры и сторонние компании предлагают целый ряд курсов и видеофильмов о работе с этим приложением.

Последнюю версию руководства и программного обеспечения для Cintel Scanner можно найти в разделе поддержки на веб-сайте www.blackmagicdesign.com/ru.

A stylized, handwritten signature in black ink that reads "Grant Petty". The script is fluid and cursive.

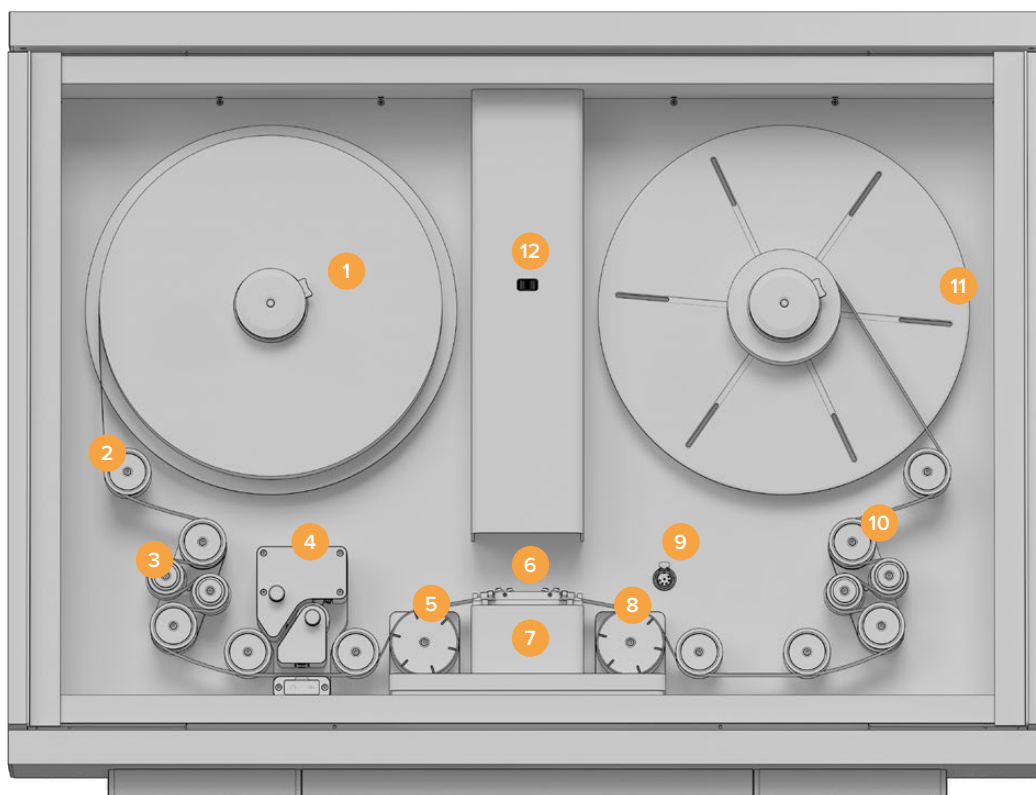
Грант Петти

Генеральный директор Blackmagic Design

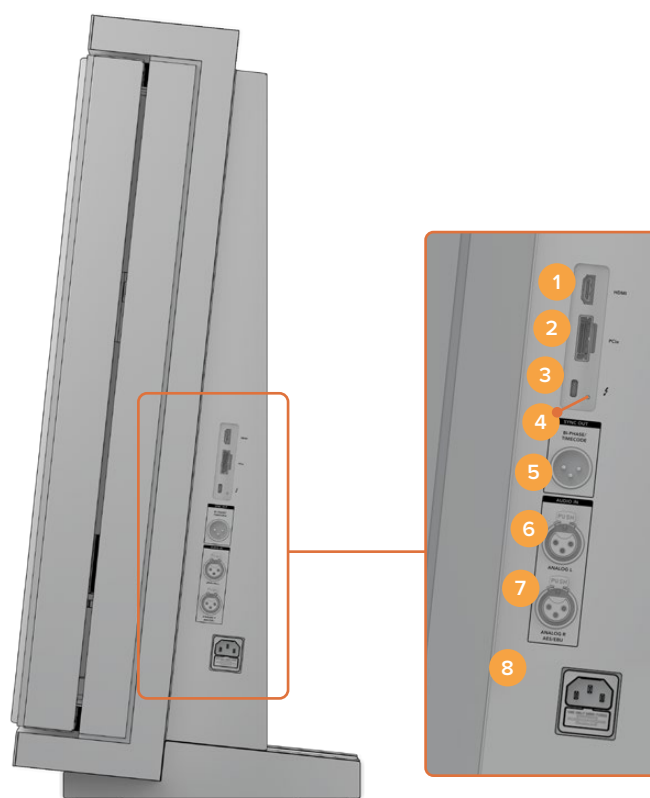
Содержание

Распаковка и монтаж	931	Оцифровка одного или нескольких участков пленки	965
Установка на рабочем столе	931	Извлечение звука	966
Установка на стене	932	Настройки извлечения звука	967
Требования безопасности при установке сканера	933	Цветовое пространство и параметры	969
Подготовка к работе	934	Audio and KeyCode Reader (опция)	971
Установка программного обеспечения	934	Установка устройства Audio and KeyCode Reader	972
Подключение питания	934	Считывание звука	974
Подключение к компьютеру	934	Настройка для считывания звука	975
Работа с DaVinci Resolve	935	Считывание кодов	981
Обновление прошивки	936	Настройка считывателя для сканирования футажного кода	981
SDK-пакет для разработчиков	937	Создание DPX-файлов с метаданными кодов	982
Широкий динамический диапазон	937	Обслуживание	984
Типы ведущих шкивов	938	Чистка передаточных валиков	984
Заправка пленки	938	Чистка гладких шкивов	984
Работа со сканером	942	Удаление пыли	985
Типы перемотки	942	Чистка валика на устройстве Audio and KeyCode Reader	985
Работа с 16-мм пленкой	943	Чистка магнитной головки на устройстве Audio and KeyCode Reader	986
Работа с 8-мм пленкой	945	Замена магнитной головки	987
Переключение между форматами 8-мм пленки	946	Замена печатной платы магнитной головки	989
Винты лентопротяжного тракта	948	Сброс рабочего времени магнитной головки	993
Управление воспроизведением	949	Регулировка положения головки	993
Режим ожидания	950	Работа с клипами в приложении DaVinci Resolve	998
Сканирование с помощью приложения DaVinci Resolve	950	Менеджер проектов	998
Интерфейс сканера Cintel	950	Монтаж на странице «Сборка»	999
Настройка пленки	951	Добавление клипов на временную шкалу	1002
Регулировка источника света	954		
Стабилизация изображения	955		
Защита пленки	958		
Редактирование метаданных	958		
Оцифровка пленки	960		
Настройка цвета оцифрованных материалов	964		

Подгонка клипов на временной шкале	1003	Параметры оптимизации скорости	1036
Индикатор подгонки звука	1004	Восстановление первоначальных деталей после удаления мерцания	1036
Добавление титров	1004	Выход	1037
Работа с файлами Blackmagic RAW	1005	Покадровое удаление пыли	1037
Цветокоррекция клипов на стр. «Цвет»	1009	Общая информация	1038
Добавление Power-зоны	1012	Тип участка	1039
Использование плагинов	1014	Параметры участка	1040
Микширование звука на странице «Монтаж»	1014	Дополнительные элементы управления	1040
Страница Fairlight	1015	Шумоподавление	1041
Добавление визуальных эффектов и композитинг на странице Fusion	1020	Настройки временного шумоподавления	1041
Подготовка к работе с Fusion	1022	Настройки временного порога	1041
Создание мастер-копий	1028	Настройки пространственного шумоподавления	1042
Быстрый экспорт	1028	Настройки пространственного порога	1043
Страница «Экспорт»	1029	Глобальное смещение	1043
Автоматическое удаление загрязнения	1030	Шумоподавление	1044
Основные элементы управления	1030	Удаление объекта	1046
Тонкая настройка	1031	Технические характеристики	1048
Устранение горячих пикселей	1031	Соблюдение нормативных требований	1051
Общие настройки	1032	Правила безопасности	1052
Тип участка	1033	Помощь	1054
Параметры участка	1034	Загрузка последних версий ПО	1054
Расширенные возможности управления	1034	Создание отчета о состоянии	1054
Удаление мерцания	1035	Восстановление системы через порт USB	1055
Основные параметры	1035	Гарантия	1057
Временное шумоподавление	1035		



1. Зажим сердечника 2. Валик 3. Передаточный валик 4. Дополнительное устройство Audio and KeyCode Reader, подключаемое к интерфейсу с левой стороны 5. Натяжной шкив 6. Пластина сканирования 7. Источник света 8. Ведущий шкив 9. Дополнительный порт 10. Узел регулировки натяжения 11. Пластина бобины 12. Колесико фокусировки



1. HDMI 2. PCIe 3. Thunderbolt 3 4. Индикация подачи питания 5. Выход для двухтактной синхронизации и тайм-кода 6. XLR3 (аудиовход 1) 7. XLR3 (аудиовход 2) 8. Силовой разъем

Распаковка и монтаж

Ниже описан порядок установки нового сканера.

Перед началом работы устройство необходимо распаковать и надежно закрепить на устойчивой плоской поверхности или стене. При размещении на рабочем столе отверстия в основании корпуса позволяют обеспечить дополнительную устойчивость. Монтажные отверстия на задней панели предназначены для крепления сканера к стене.

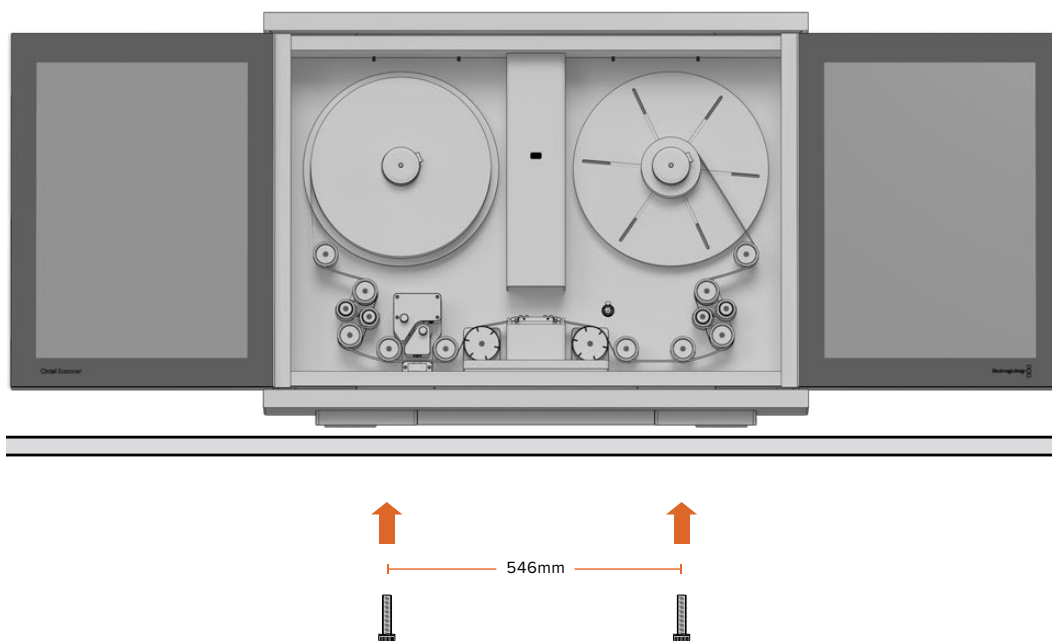
После открытия упаковки обратите внимание на прорези в упаковочном материале, которые служат ручками при перемещении сканера.

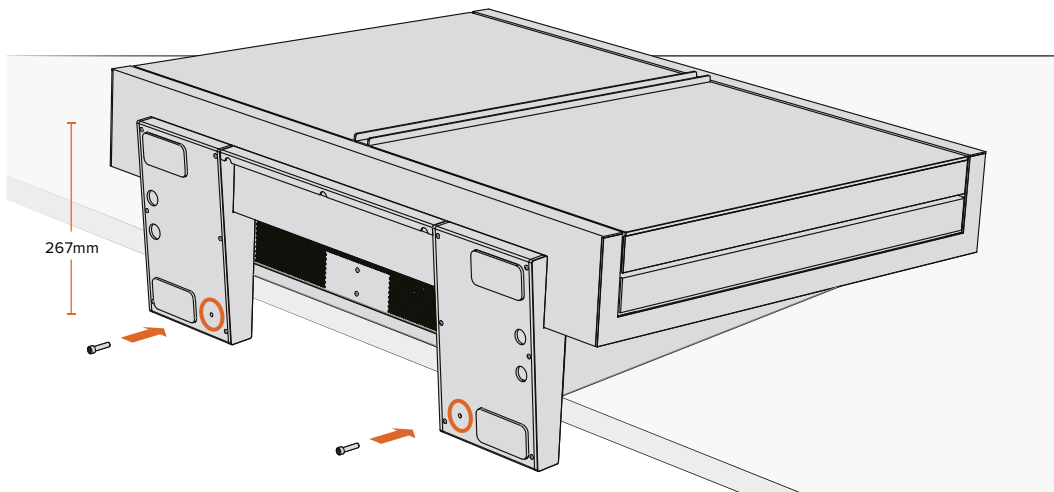
Масса устройства составляет более 60 кг, поэтому для его установки потребуется больше одного человека. Подъем и монтаж рекомендуется выполнять силами двух человек с соблюдением всех необходимых правил безопасности.

После извлечения из упаковки поместите сканер на ровную, устойчивую и достаточно прочную поверхность, способную выдержать его вес.

Установка на рабочем столе

Чтобы обеспечить дополнительную устойчивость устройства, его можно закрепить на рабочей поверхности стола. Для этого просверлите в крышке стола два отверстия и закрутите болты М6 в ножках сканера на основании корпуса. Это предохранит его от случайного смещения или падения.





При установке сканера на рабочем столе прикрутите его ножки к поверхности стола с помощью болтов М6

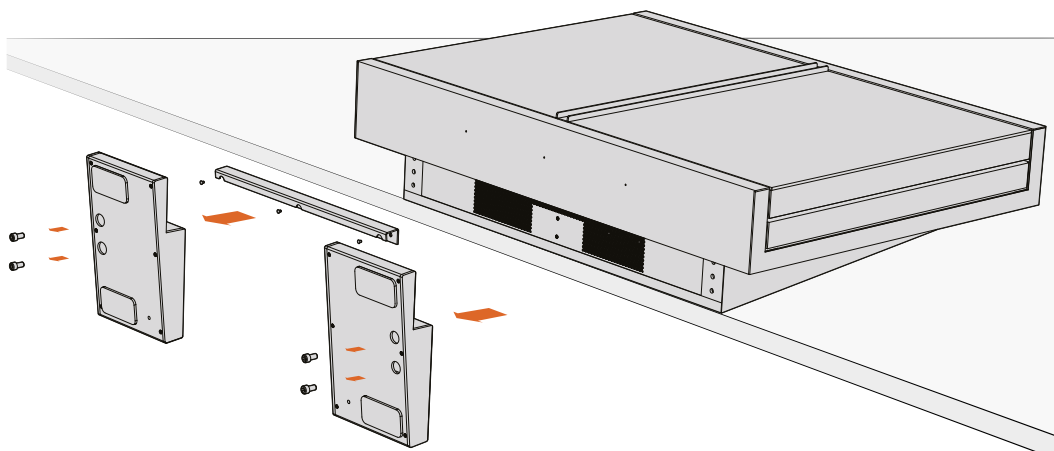
ПРИМЕЧАНИЕ. При работе со сканером Cintel важно соблюдать технику безопасности. Перед монтажом устройства рекомендуется внимательно прочитать соответствующий раздел на следующей странице.

Установка на стене

Дизайн и компактные размеры сканера Cintel позволяют установить устройство на стене.

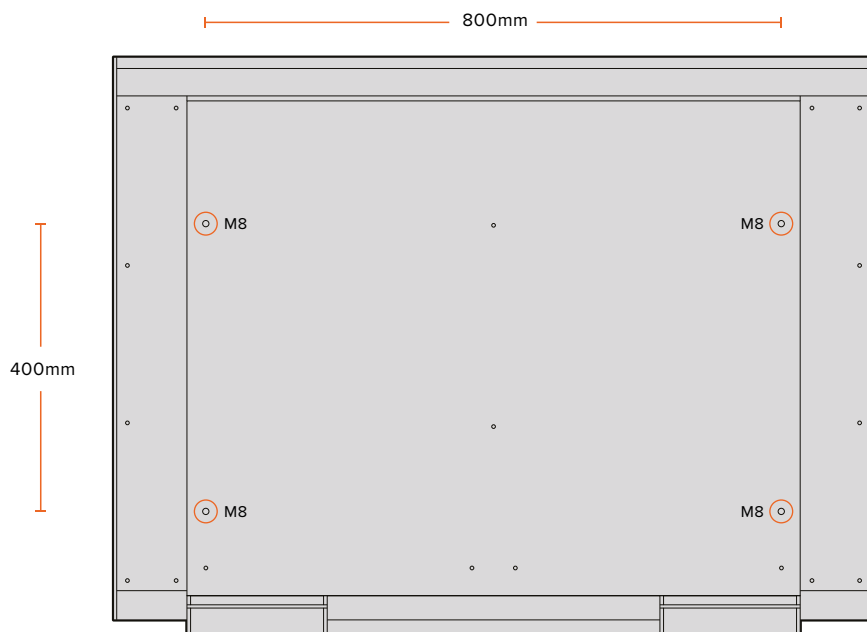
Для этого сначала снимите ножки и опорный кронштейн с основания корпуса.

- 1 Положите устройство на прочную и устойчивую поверхность передней панелью вверх и ножками к краю.
- 2 На каждой ножке открутите по два винта М8 с помощью шестигранного ключа 6 мм, затем осторожно снимите сами ножки.
- 3 Используя отвертку Phillips, снимите опорный кронштейн между ножек сканера. Сохраните кронштейн и ножки, чтобы при необходимости установить их обратно.



При установке сканера на стену ножки и опорный кронштейн можно снять

На рисунке ниже показано расположение отверстий на задней панели сканера. Для установки сканера на стене используйте винты M8. Они не должны быть длиннее 25 мм.



Требования безопасности при установке сканера

Масса сканера вместе с плечным носителем может достигать 70 кг, что значительно тяжелее широкоэкранный телевизор. Если вы не уверены, что стена или рабочий стол могут выдержать подобный вес, для соблюдения правил безопасной установки рекомендуется проконсультироваться со специалистом. Падение устройства в результате неправильного монтажа может привести к серьезным травмам или смертельному исходу.

Перед монтажом на столе и особенно при работах под сканером во время его установки убедитесь в том, что стол имеет ровную и устойчивую поверхность. Крепежные кронштейны и детали должны иметь соответствующую прочность, рассчитанную на вес устройства. Если рабочая поверхность недостаточно надежная или подвергается деформации, это может привести к падению оборудования и серьезным травмам персонала.

При установке сканера на стене убедитесь в том, что место монтажа обладает достаточной прочностью для длительного использования. Если есть вероятность ее постепенного уменьшения, это может привести к падению устройства и травмам персонала. Запрещается размещать сканер на поверхности, которая не рассчитана на его вес. Крепежные кронштейны и детали должны иметь соответствующую прочность, рассчитанную на вес устройства. Если рабочая поверхность не подходит для установки, оборудование может упасть и нанести травмы.

Установку сканера на столе или стене должны выполнять два человека. Запрещается вести монтажные работы в одиночку.

Подготовка к работе

После распаковки и монтажа сканера можно начинать работу. Для этого подключите источник питания, соедините устройство с компьютером через порт Thunderbolt, запустите приложение Blackmagic DaVinci Resolve и заправьте пленку. Чтобы сразу выводить оцифрованное изображение на внешний HDMI-монитор, установите пленочный носитель и вручную проверьте его натяжение. Подробнее см. разделы «Заправка пленки» и «Управление воспроизведением» ниже.

Установка программного обеспечения

Для работы со сканером Cintel необходимо загрузить и установить приложение DaVinci Resolve, которое содержит специальную панель «Сканер пленки» с настройками захвата. В комплект поставки входит электронный ключ для DaVinci Resolve, который позволяет использовать полнофункциональную версию этого приложения.

Рекомендуется использовать последнюю версию ПО Cintel Scanner, которая доступна в разделе поддержки Blackmagic Design на странице www.blackmagicdesign.com/ru/support.

После завершения загрузки распакуйте архив и дважды щелкните файл. Откроется папка Setup. Запустите установку и следуйте инструкциям на экране компьютера.

SDK-пакет для Cintel позволяет также создавать собственное ПО, с помощью которого можно управлять сканером и интегрировать его в рабочую инфраструктуру. Подробнее см. раздел «SDK-пакет для разработчиков».

Подключение питания

После установки на компьютер программного обеспечения соедините сканер с источником питания.

Для этого подключите силовой кабель по стандарту IEC к гнезду устройства, расположенному справа в нижней части задней панели. При подаче питания соответствующий светодиодный индикатор горит зеленым цветом.

Подключение к компьютеру

Сканер Cintel можно подключить к компьютеру двумя способами. Для рабочих станций на Windows и Mac есть порт Thunderbolt 3, а ПК под Windows и Linux можно соединить через разъем PCIe с помощью комплекта Blackmagic PCIe Cable Kit. Также допускается использование устройства с внешним HDMI-монитором для настройки фокуса или предварительного просмотра материала. Все указанные порты и разъемы находятся внизу справа.

Работа с DaVinci Resolve

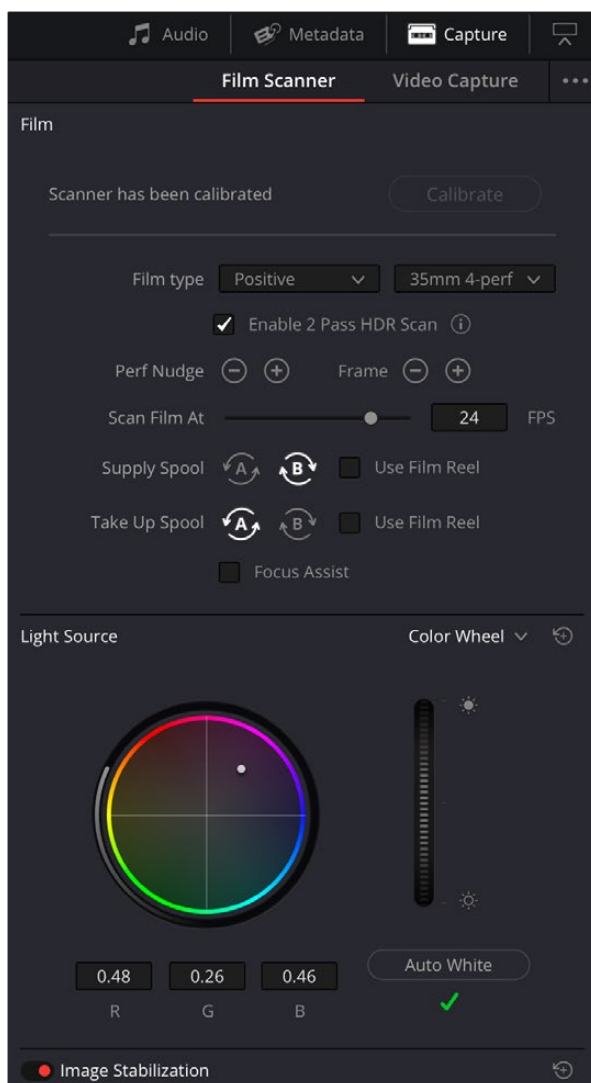
Запустите приложение DaVinci Resolve и перейдите на страницу «Мультимедиа». Чтобы открыть панель сканера, выберите кнопку «Захват» в верхнем правом углу экрана и нажмите «Сканер пленки».

Из-за большого объема данных рекомендуется создать папку, в которую будет сохраняться отсканированный материал.

Для этого выполните описанные ниже действия.

- 1 Запустите приложение DaVinci Resolve.
- 2 Выберите «Настройки» в меню DaVinci Resolve.
- 3 На вкладке «Хранилище мультимедиа» нажмите кнопку «Добавить». Укажите путь к папке или диску.
- 4 Выберите «Сохранить» и перезапустите DaVinci Resolve.

Подробнее о работе с инструментами панели «Сканер пленки» в приложении DaVinci Resolve см. раздел «Сканирование на Cintel с помощью DaVinci Resolve».



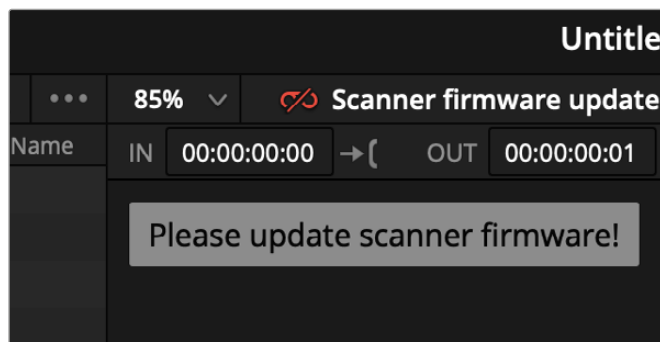
Панель «Сканер пленки» в приложении DaVinci Resolve содержит настройки, используемые при сканировании

Обновление прошивки

После установки на компьютере ПО Cintel Scanner в устройствах Cintel Scanner и Audio and KeyCode Reader может понадобиться обновление прошивки.

Cintel Scanner

После установки ПО Cintel Scanner и подключения к компьютеру сканера будет произведена проверка на наличие обновления прошивки.



Когда Cintel Scanner заблокирован, в DaVinci Resolve появляется сообщение

Audio and KeyCode Reader

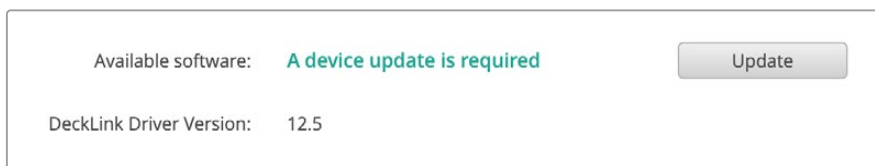
Если требуется обновить прошивку устройства KeyCode Reader, оно будет заблокировано, и в приложении DaVinci Resolve появится сообщение, похожее на приведенное выше.

Процесс обновления прошивки

Обновление прошивки устройств Cintel Scanner и Audio and KeyCode Reader выполняется с помощью утилиты Cintel Setup.

Порядок обновления прошивки устройств Cintel Scanner и Audio and KeyCode Reader

- 1 Подключите Cintel Scanner к сети питания и к порту Thunderbolt 3 или PCIe на компьютере.
- 2 Для обновления устройства Audio and KeyCode Reader подсоедините его к компьютеру через разъем USB-C.
- 3 Откройте утилиту Cintel Setup и выберите сканер или звуковой блок.
- 4 Нажмите кнопку Settings, чтобы открыть вкладку Setup. При наличии обновлений щелкните Update.



Чтобы проверить наличие новой версии прошивки для устройства Cintel Film Scanner или Cintel Audio and KeyCode Reader, откройте вкладку Setup

После установки новой версии в прошивке появятся оптимизированные настройки и функции.

SDK-пакет для разработчиков

В комплект поставки сканера входит SDK-пакет для разработки собственных решений, совместимых с платформами Mac, Windows и Linux. Он дает возможность управлять устройством с помощью различных команд.

SDK-пакет для Cintel позволяет создавать собственное ПО для контроля устройства, изменения его настроек и обработки клипов. В комплект поставки входит приложение DaVinci Resolve Studio, однако оно требует значительных вычислительных мощностей. С помощью SDK можно обойти это ограничение и получить программный продукт для управления с любого компьютера. Подробнее см. страницу для разработчиков на веб-сайте www.blackmagicdesign.com/ru/developer.

Широкий динамический диапазон

При объединении материала с различными параметрами экспозиции применяется технология широкого динамического диапазона (HDR), которая позволяет увеличить рамки общего диапазона и уменьшить цифровой шум. Сканирование в режиме HDR проводится в два прохода: сначала процесс выполняется с обычной экспозицией, а затем — с гораздо более высоким значением с целью передачи детализации в областях тени для фильмокопий или областях света для негативов. Наилучшая битовая глубина достигается при совмещении результатов после обоих проходов.



Слева показан первый проход с нормальной экспозицией, а справа — второй этап процесса с более высоким значением данного параметра

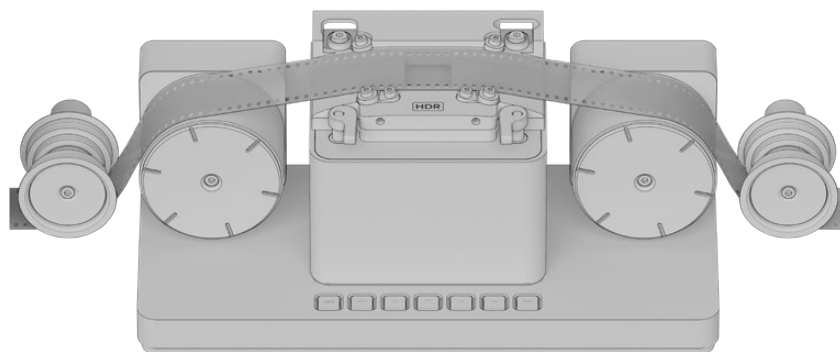


На этих увеличенных кадрах показана разница при стандартном сканировании (справа) и в режиме HDR (слева). Заметно, что на левом снимке меньше цифрового шума, более аккуратная цветопередача и улучшенная детализация в зонах тени и света.

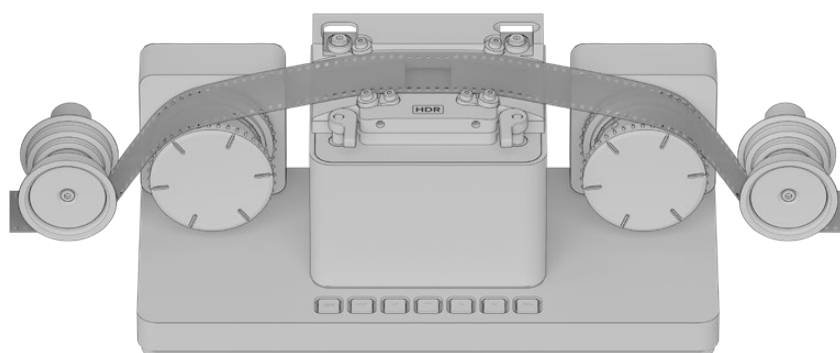
Высокоточное фильмовое окно для HDR-материала и стабилизатор изображения позволяют оптимизировать процесс сканирования на субпиксельном уровне с помощью фильтра масштабирования, который обеспечивает отсутствие артефактов при сведении результата двух проходов.

Типы ведущих шкивов

В зависимости от модели на Cintel Scanner могут быть установлены гладкие или зубчатые шкивы. Они подают пленку вперед и назад, а также останавливают ее для точного выравнивания по окну сенсора изображения. Эти шкивы являются неотъемлемой частью сканера, и заменить их на другой тип невозможно.



Гладкие шкивы, используемые обычно для пленок с ломкой или поврежденной перфорацией, выполняют подачу со средней степенью натяжения



Зубчатые шкивы имеют выступы для зацепления перфорации пленки и выполняют подачу без соприкосновения с областью изображения

Протяжка осуществляется основным шкивом, в то время как вторичный шкив работает как натяжной барабан и обеспечивает плавный проход пленки по пластине сканирования. Симметричное расположение ведущих шкивов на сканере позволяет подавать пленку вперед и назад с одинаковой точностью в широком скоростном диапазоне.

Заправка пленки

После запуска сканера вместе с приложением DaVinci Resolve можно выполнить заправку кинопленки.

Доступ к сканеру

Откройте раздвижные дверцы устройства.

Внутри на передней панели расположены две катушки: слева — подающая, справа — приемная. На подающей находится пленка для сканирования, а на приемную поступает уже обработанный носитель.

Перемотка пленки

От типа перемотки зависит направление вращения катушек. В приложении DaVinci Resolve на панели «Сканер пленки» выберите комбинацию В/А, т. е. для подающей катушки нажмите кнопку В, а для приемной — А.

По умолчанию используется тип В/А, когда подающая катушка вращается по часовой стрелке, а приемная — против. Подробнее см. раздел «Типы перемотки» ниже.

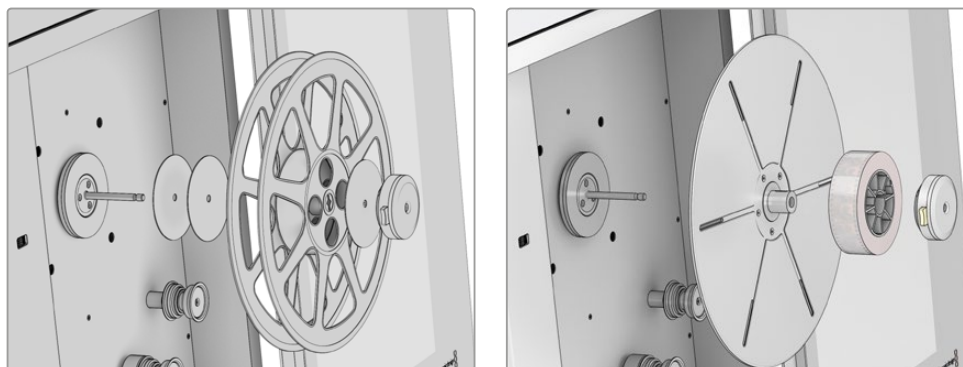
На этом этапе можно также проверить настройки по типу и размеру пленки. На панели «Сканер пленки» в приложении DaVinci Resolve выберите тип и формат пленки, ее размер — 8, 16 или 35 мм, а также вид перфорации.

Подготовка приемной катушки

Установите на стержень приемной катушки 75-мм сердечник и его зажим. Для защелкивания насадите зажим до упора при нажатой кнопке, затем отпустите кнопку и слегка надавите на зажим до щелчка.

Установка киноплёнки

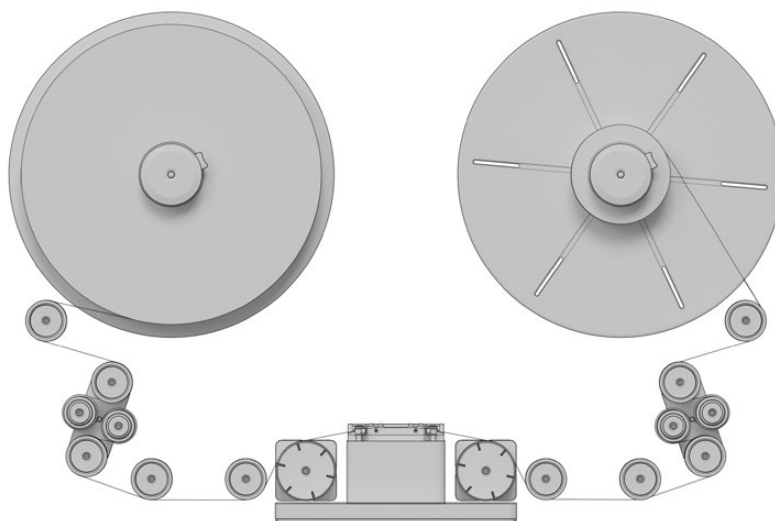
Установите бобину или сердечник на подающий стержень, как описано в шаге 3. Обратите внимание, что процедура может отличаться в зависимости от того, где находится пленка — на сердечнике или в бобине, а также от ее размера (35, 16 или 8 мм). При установке сердечника необходимо использовать опорную пластину, в то время как при работе с бобиной требуются только вставки.



На рисунке выше показана установка 35-мм бобины и сердечника. При сканировании с бобин пластина не нужна, поэтому достаточно использовать только вставки. При установке пленки на сердечнике дополнительно требуется опорная пластина.

Заправка пленки

Осторожно пропустите несколько десятков сантиметров пленки через валики, как показано на рис. ниже.



При использовании намотки по умолчанию (тип В/А) пленка поступает снизу подающей катушки на верх приемной

Натяжение киноплёнки

Чтобы закрепить плёнку на приемной катушке, вставьте ее край в небольшой вырез на самой катушке, а затем осторожно прокрутите катушку несколько раз вручную, чтобы намотать плёнку.

Если необходимо сохранить край ровным, для фиксации плёнки можно использовать натяжение ее поверхности. Также допускается применение клейкой ленты.

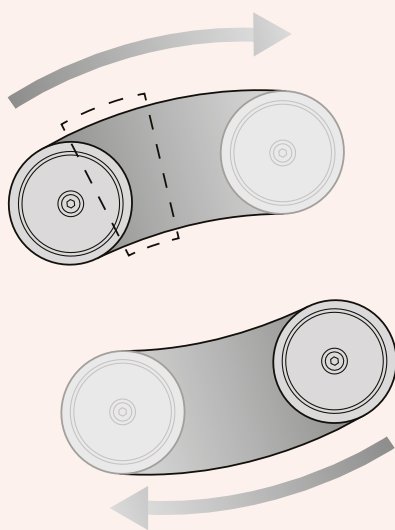
Для натяжения плёнки нажмите кнопку Load или одновременно поверните обе катушки вручную.

Натяжение вручную

По мере натяжения узел регулировки под каждой катушкой начнет двигаться, как показано на рисунке ниже. После поворота катушек примерно на треть оборота остановите их и удерживайте в течение 1-2 секунд. Сканер обнаружит наличие плёнки на приемной катушке и автоматически выполнит натяжение, устранив провисание оставшейся плёнки.

Если автоматическое или ручное натяжение выполняется некорректно, эту операцию можно в любой момент остановить. Для этого вновь нажмите кнопку Load или придержите одну из катушек.

Загрузка будет отменена.



При натяжении плёнки вручную следует применять усилие, достаточное для установки узла регулировки в положение, составляющее чуть меньше половины полной амплитуды его движения. Сканер автоматически выполнит намотку провисающего участка.

Проверка киноплёнки

Чтобы проверить правильность заправки плёнки, нажмите кнопку Play на сканере или выберите «Воспроизведение» на панели «Сканер плёнки» в приложении DaVinci Resolve. Сканер находится в рабочем состоянии, если изображение с киноплёнки выводится в окне просмотра или на HDMI-монитор.

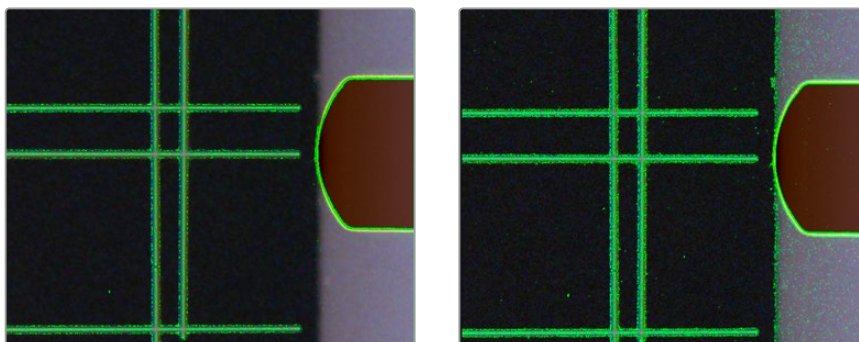
В зависимости от типа намотки изображение может быть перевернуто по горизонтали или вертикали. Для корректного вывода выберите соответствующий тип плёнки. Например, когда не используется настройка «Негатив», изображение может быть перевернуто слева направо. Если проблему не удастся устранить, переустановите плёнку с другим типом перемотки.

Чтобы проверить состояние плёнки, сканируемой с помощью Cintel Scanner G3 HDR+, нажмите и удерживайте кнопку остановки или воспроизведения в течение двух секунд. Это активирует режим осмотра ее состояния, который снизит интенсивность источника света, позволяя увидеть любые дефекты, загрязнения или царапины. Затем в случае необходимости можно выполнить очистку поверхности плёнки или починку бобины.

Фокусировка

Установка резкости для изображения, поступающего на матрицу сканера, выполняется так же, как фокусировка объектива на камере. Колесико фокусировки находится в центральной секции устройства. Самая точная настройка достигается при использовании опции «Индикация фокуса» на панели «Сканер плёнки» в приложении DaVinci Resolve. Так же, как аналогичная функция на камерах Blackmagic, она показывает зеленую кромку вокруг наиболее резких элементов изображения. Правильная установка фокуса достигается при самой высокой резкости областей зеленого цвета.

Чтобы активировать опцию «Индикация фокуса», поставьте флажок в соответствующем поле на панели «Сканер плёнки». Настройку фокуса можно проверить на изображении, которое поступает на подключенный HDMI-монитор или в окно просмотра приложения DaVinci Resolve. Одним из важных индикаторов является зернистость плёнки. Когда зерно имеет самую резкую зеленую кромку, изображение находится точно в фокусе.



Зернистость плёнки является идеальным средством для настройки фокуса с помощью опции «Индикация фокуса». На рисунке слева изображение не в фокусе, справа — в фокусе. «Индикация фокуса» показывает зеленую кромку вокруг зерна, наиболее заметную в зоне перфорации.

Функция «Индикация фокуса» лучше всего работает с настройкой «Негатив», потому что именно этот тип плёнки имеет наибольшую резкость и зернистость.

Чтобы получить максимально качественный результат, используйте полное разрешение в окне просмотра. Для этого перейдите к настройкам в верхнем правом углу и в меню выберите опцию «Просмотр с полным разрешением».

Полное разрешение будет применяться до тех пор, пока его не отключат. Данная настройка требует больших ресурсов графической карты, что может приводить к задержке вывода на экран. В этом случае включите полное разрешение при проверке фокусировки, а затем вновь отключите его.

Закрытие дверок сканера

Для повышения качества оцифровки рекомендуется закрывать раздвижные дверцы сканера. Благодаря встроенному пружинному механизму они плавно закрываются от легкого толчка по направлению друг к другу. В этом случае на пленочный канал не будет попадать посторонний свет.

Встроенный источник света обеспечивает качественное сканирование в любых условиях, за исключением ярко освещенных мест. Поскольку пленка способна отражать свет, такие факторы могут негативно повлиять на результат оцифровки. Чтобы избежать помех, во время работы держите дверцы сканера в закрытом положении.

После того как пленка установлена и отрегулировано ее натяжение, настроен фокус и закрыты дверцы, устройство готово для начала сканирования.

Подробнее о калибровке источника света, настройках стабилизации и панели инструментов см. раздел о Cintel в руководстве по DaVinci Resolve. Там же можно найти информацию о том, как синхронизировать оптический аудиосигнал и работать с сохраняемыми при сканировании файлами.

Детальная спецификация устройства и порядок его технического обслуживания описаны в соответствующих разделах ниже.

Работа со сканером

Этот раздел содержит информацию о настройке различных типов перемотки для 8-мм или 16-мм пленки и инструкции по установке дополнительных 8-мм и 16-мм пленочных каналов (включая соответствующие детали), а также описывает работу с элементами управления на сканере Cintel.

Типы перемотки

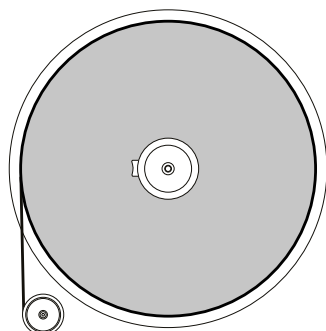
Типы перемотки определяются положением пленки при установке и снятии, а также направлением поворота подающей и приемной катушек. Как показано на рисунке ниже, тип А используется при размотке и намотке пленки вверху, тип В — внизу. Это правило применяется для обеих катушек.

По умолчанию используется режим В/А, при котором разгрузка подающей катушки выполняется снизу, а загрузка приемной — сверху. При перемотке другим способом требуется иная комбинация. Выберите соответствующий тип перемотки с помощью кнопок подающей и приемной катушек на панели «Сканер пленки» приложения DaVinci Resolve.

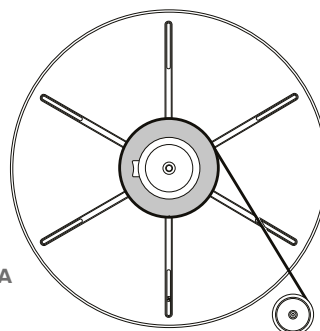
Важно выбрать корректный тип перемотки, так как он определяет направление вращения катушек, положение звуковой информации и перфорации, а также ориентацию пленки (эмульсией вверх или вниз) по отношению к пластине сканирования.

Ниже показаны типы перемотки в соответствии с настройками панели «Сканер пленки» в приложении DaVinci Resolve.

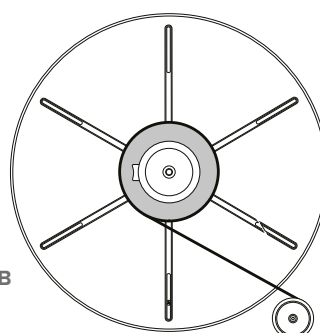
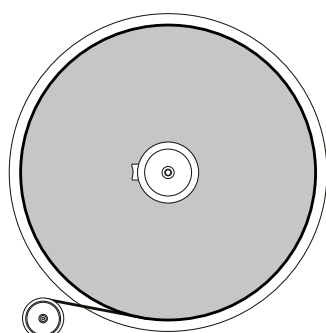
Подающая катушка



Приемная катушка



**Режим
перемотки А**



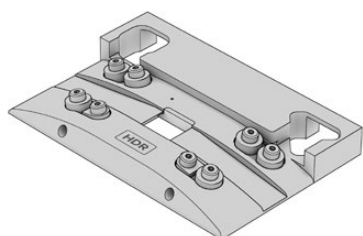
**Режим
перемотки В**

Разницу между типами перемотки А и В легко запомнить следующим образом: в первом случае бобина или катушка подает и принимает пленку вверху, во втором — внизу

Работа с 16-мм пленкой

Дополнительный набор для 16-мм пленки содержит все необходимое для быстрой перенастройки сканера.

**Пластина сканирования
для 16-мм пленки**



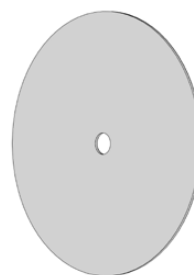
**16-мм
внутренняя
вставка**



**Внешняя
вставка**



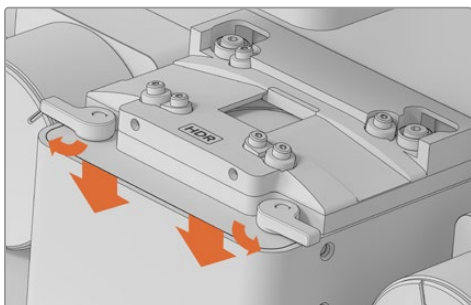
1-мм вставка



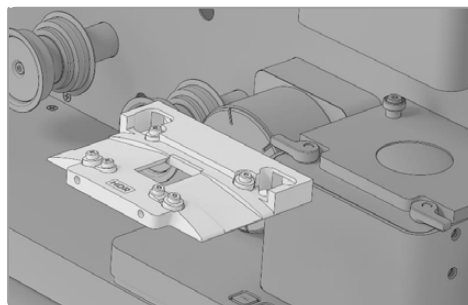
Комплект принадлежностей для оцифровки 16-мм пленки содержит 16-мм пластину сканирования, две 16-мм вставки, две 16-мм внешних вставки и четыре 1-мм вставки

Замена пластины сканирования

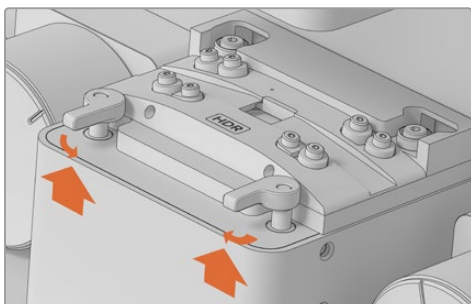
Чтобы поменять 35-мм пластину на 16-мм, нажмите на ее передние фиксаторы и поверните их наружу. Снимите 35-мм пластину и поставьте на ее место 16-мм. Убедитесь, что фиксаторы находятся в поднятом положении, так как в противном случае установка пластины может быть некорректной.



При снятии пластины сканирования необходимо надавить на фиксаторы, а затем повернуть их наружу



Снятие пластины сканирования для 35-мм пленки с заменой на 16-мм версию



Чтобы закрепить пластину, полностью поднимите фиксаторы и поверните их внутрь

Установка 16-мм внутренней вставки

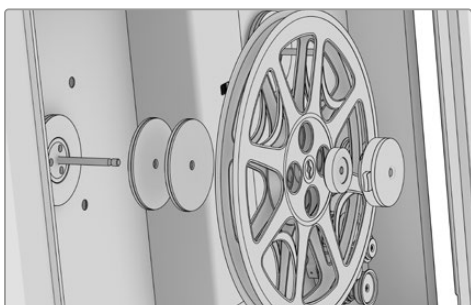
Установите 16-мм резиновую вставку в основание подающей и приемной катушки. Ее необходимо разместить выемками внутрь до установки опорной пластины, катушки или бобины.

Дополнительные вставки (опция)

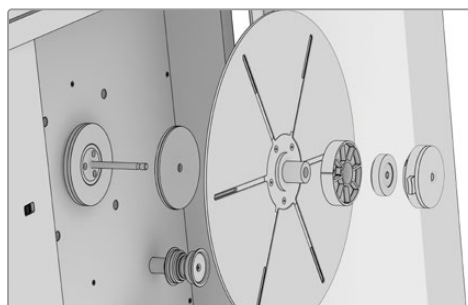
В комплект принадлежностей для оцифровки 16-мм пленки входят дополнительные 1-мм резиновые вставки, которые устанавливают при использовании бобины. С их помощью можно отрегулировать положение бобины по отношению к валикам сканера.

Установка пленки

После размещения 16-мм сердечника или бобины на подающей катушке и соответствующей пластины с сердечником на приемной установите внешнюю вставку для фиксации катушек. Для этого на внутренней кромке вставки имеются прорезь и резиновое кольцо. Когда вставки установлены, зафиксируйте катушки обычным способом.



Стержень, две внутренние 16-мм вставки, 16-мм бобина, внешняя вставка и сердечник с зажимом (слева направо)



Стержень, внутренняя 16-мм вставка, опорная пластина, 16-мм сердечник, внешняя вставка и сердечник с зажимом (слева направо)

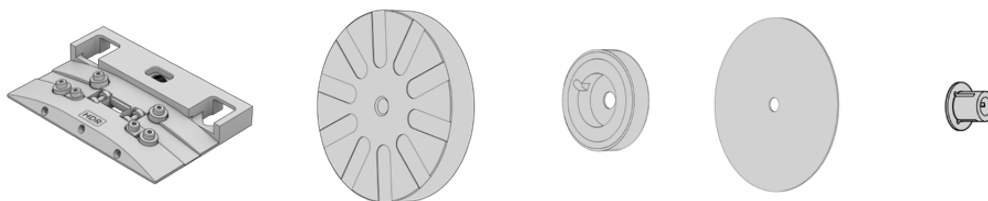
Заправка киноплёнки

Выполните те же операции, что и при заправке 35-мм плёнки. Перед тем, как нажать LOAD или вручную отрегулировать натяжение 16-мм плёнки, убедитесь, что она правильно расположена на ведущих шкивах. В противном случае ленту можно повредить.

Работа с 8-мм плёнкой

Дополнительный набор для 8-мм плёнки содержит все необходимое для быстрой перенастройки сканера.

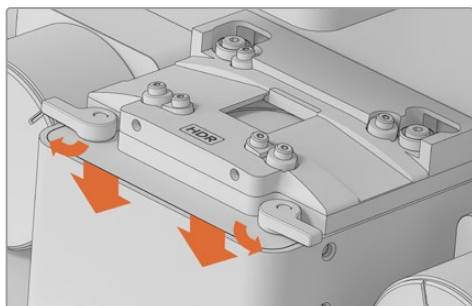
Фильмовый канал для 8-мм плёнки **8-мм внутренняя вставка** **Внешняя вставка** **1-мм вставка** **Переходник для бобин**



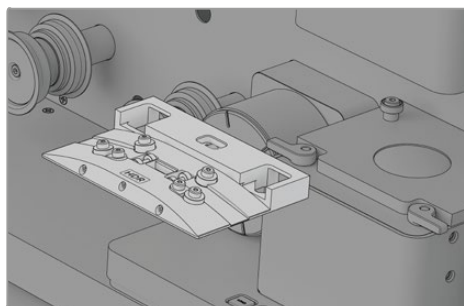
Комплект принадлежностей для оцифровки 8-мм плёнки содержит 8-мм фильмовый канал, две 8-мм внутренних вставки, две внешних вставки, четыре 1-мм вставки и два переходника для бобин 8 мм/Super 8

Замена пластины сканирования на 8-мм фильмовый канал

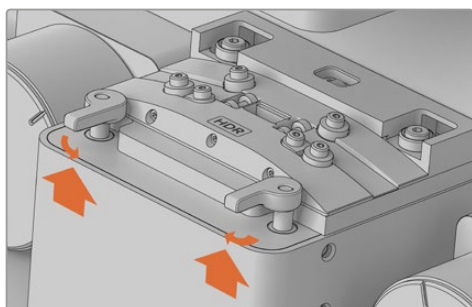
Чтобы поменять пластину сканирования на 8-мм фильмовый канал, нажмите на ее передние фиксаторы и поверните их наружу. Снимите пластину и поставьте на ее место 8-мм фильмовый канал. Убедитесь, что фиксаторы находятся в поднятом положении, так как в противном случае установка может быть некорректной.



При снятии пластины сканирования необходимо надавить на фиксаторы, а затем повернуть их наружу



Снятие пластины сканирования для 35-мм плёнки с заменой на 8-мм фильмовый канал



Чтобы закрепить фильмовый канал, полностью поднимите фиксаторы и поверните их внутрь

Установка 8-мм внутренней вставки

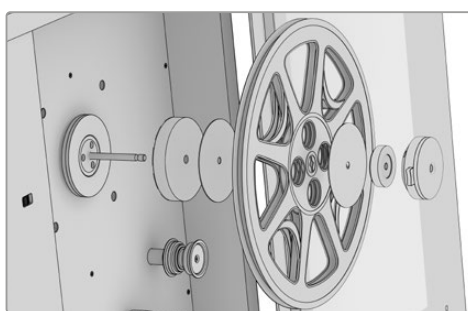
Установите 8-мм внутреннюю вставку в основание подающей и приемной катушек. Ее необходимо разместить выемками внутрь до установки бобины.

Дополнительные вставки (опция)

В комплект принадлежностей для оцифровки 8-мм пленки входят дополнительные 1-мм резиновые вставки, которые устанавливают при использовании бобин разного типа. Расположив их с любой стороны бобины, можно отрегулировать ее положение по отношению к валикам сканера.

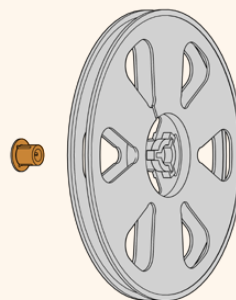
Установка пленки

После размещения 8-мм бобины на подающей катушке и пустой бобины на приемной установите внешнюю вставку для фиксации катушек. После этого зафиксируйте катушки обычным способом.



Стержень, 8-мм вставка, 1-мм вставка, 8-мм бобина, 1-мм вставка, внешняя вставка и сердечник с зажимом (слева направо)

СОВЕТ. При работе с пленкой Super 8 используйте прилагаемые переходники для бобин в сочетании с каждой из них. Они обеспечат правильную установку бобины на стержень.

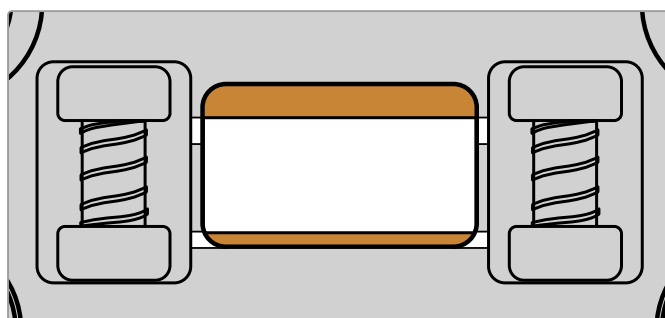


Заправка киноплёнки

Выполните те же операции, что и при заправке 35-мм пленки. Перед тем, как нажать LOAD или вручную отрегулировать натяжение 8-мм пленки, убедитесь, что она правильно расположена на ведущих шкивах. В противном случае ленту можно повредить.

Переключение между форматами 8-мм пленки

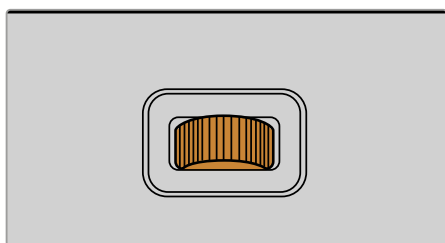
Дополнительный 8-мм фильм канал оснащен регулируемыми створками апертуры для переключения между форматами Standard 8, Super 8 и Max 8. Их корректная установка относительно неактивной области изображения уменьшает блики по краям пленки и помогает оптимизировать участки с трекингом стабильности визуального ряда.



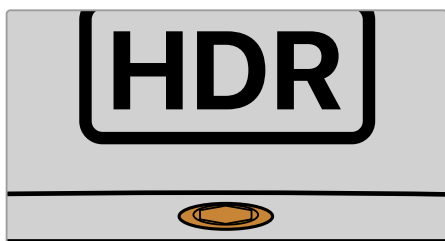
8-мм фильм канал оснащен регулируемыми створками апертуры

Чтобы облегчить процесс установки, на верхней стороне фильмового канала расположены белые контрольные линии, обозначающие положение каждого формата пленки. Они предназначены для случаев ее усадки и различных вариаций апертуры камеры. Окончательную регулировку можно выполнить, загрузив соответствующий образец и отслеживая получаемый результат на дополнительном HDMI-дисплее или в окне предварительного просмотра DaVinci Resolve.

Порядок регулировки створок апертуры

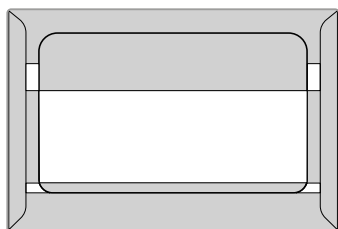


Используйте колесико с накаткой в задней части фильмового канала, чтобы отрегулировать положение боковой створки верхней перфорации. Это позволит переключаться между форматами пленки Standard 8 и Super 8.

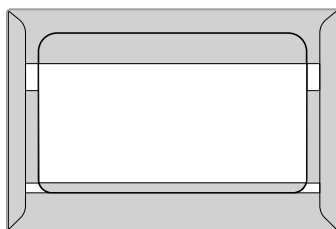


Используя шестигранный ключ 2 мм, поверните центральный винт на передней панели фильмового канала, чтобы отрегулировать нижнюю внешнюю створку. Это позволит переключаться между форматами пленки Super 8 и Max 8.

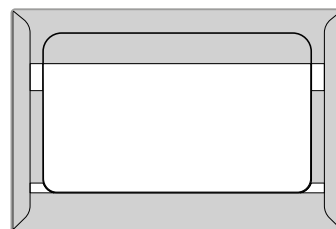
На рисунках ниже показаны створки апертуры, настроенные для работы с форматами пленки Standard 8, Super 8 и Max 8



Standard 8



Super 8



Max 8

После регулировки створок апертуры можно установить образец пленки и выполнить окончательную настройку, чтобы совместить их с неактивной областью изображения.



Некорректная установка: створки апертуры расположены слишком широко, поэтому по обе стороны изображения появляются светлые области



Некорректная установка: створки апертуры расположены слишком узко, поэтому по обе стороны изображения появляются темные области

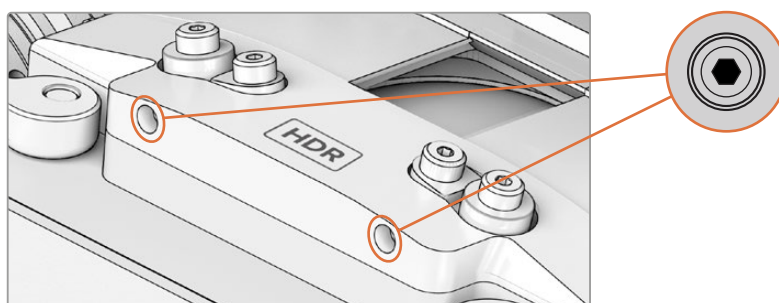


Корректная установка: створки апертуры правильно отрегулированы относительно края неактивной области изображения

Винты лентопротяжного тракта

На пластине есть четыре роликовых подшипника, которые задают траекторию движения пленки и снижают смещение в стороны. Если какой-то подшипник не касается пленки во время оцифровки, его натяжение можно отрегулировать. Для этого с помощью шестигранной отвертки 2 мм слегка затяните винты М4, расположенные на передней стороне пластины или 8-мм фильмового канала.

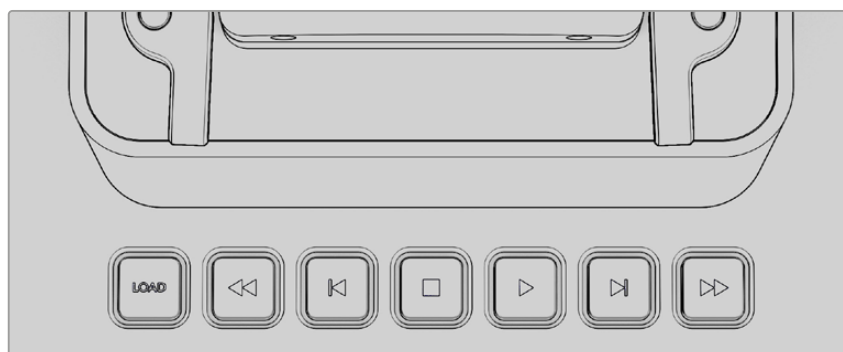
Следует помнить, что слишком сильная затяжка может привести к смещению пленки, которое повлияет на результаты сканирования. В этом случае ослабьте винты в обратном направлении, чтобы получить изображение обычного вида.



В передней части пластин сканирования для 16-мм и 35-мм пленки, а также 8-мм фильмового канала есть винты для регулировки натяжения

Управление воспроизведением

На сканере и в приложении DaVinci Resolve доступны органы управления воспроизведением.



Сканер имеет встроенные органы управления для установки и снятия пленки, а также просмотра получаемого изображения



LOAD (Натяжение)

Нажмите кнопку для натяжения пленки между подающей и приемной катушками. Подробнее см. раздел «Заправка пленки».

Нажмите LOAD еще раз, чтобы вернуть узел регулировки натяжения в первоначальное положение.



Обратная перемотка

Для обратной перемотки пленки на подающую катушку нажмите эту кнопку. Нажмите ее еще раз, чтобы ускорить перемотку до полной загрузки 75-мм бобины. По достижении этого порога сканер остановится. Нажмите кнопку снова, чтобы медленно перемотать оставшуюся пленку и снять ее со сканера.

При использовании 50-мм бобины сканер сначала остановится на пороге, рассчитанном для 75-мм бобины. Еще раз нажмите кнопку для завершения перемотки, предусмотренной для 75-мм бобины. Если в этот момент сканер обнаружит наличие пленки, перемотка будет возобновлена до достижения 50-мм порога. Нажмите кнопку в третий раз, чтобы полностью перемотать 50-мм катушку. Для 8-мм бобин пороговые значения запрограммированы на диаметр сердечника 63 или 32 мм соответственно.

Поскольку 100-мм бобины в настоящее время практически не встречаются, сканер не позволяет остановить перемотку по достижении соответствующего порога. При работе с 100-мм бобиной будьте внимательны при выборе способа заправки пленки. Ее можно пропустить в прорезь или зафиксировать с помощью физического трения путем обычной намотки. При установке 100-мм бобины не рекомендуется использовать клейкую ленту.



Переход назад

Обратная перемотка на один кадр. Если эту кнопку удерживать в нажатом положении, можно также выполнять воспроизведение в обратном направлении с замедленной скоростью.



Остановка

Остановка воспроизведения, перемотки вперед и назад.



Воспроизведение

Просмотр материала с пленки. По умолчанию используется частота 24 кадра/с. На панели «Сканер пленки» в приложении DaVinci Resolve можно выбрать другую частоту или воспроизведение в обратном порядке.



Переход вперед

Перемотка на один кадр вперед. Если эту кнопку удерживать в нажатом положении, можно также выполнять воспроизведение с замедленной скоростью.



Перемотка вперед

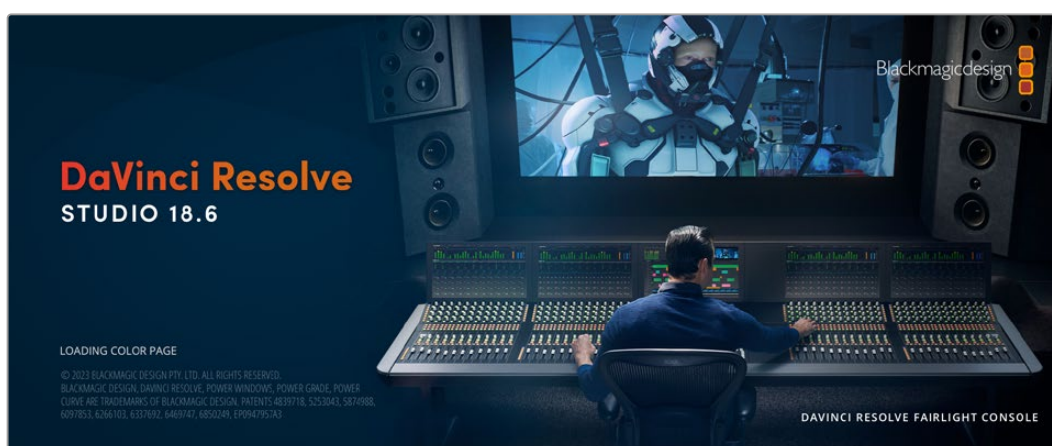
Ускоренная перемотка пленки на приемную катушку. Остановка выполняется так же, как обратная перемотка для бобин 50, 75 и 100 мм.

Если удерживать нажатыми кнопки перехода назад или вперед, сканер воспроизводит видео в прямом или обратном направлении со скоростью 4 кадра/с. То же самое происходит при нажатии компьютерной мышью соответствующих кнопок на панели «Сканер пленки» в приложении DaVinci Resolve.

Режим ожидания

Если сканер не используется длительное время, он переходит в режим ожидания. Это позволяет увеличить ресурс источника света. Переход происходит через 15 минут при соединении через порт Thunderbolt или через полторы минуты при отсутствии запросов от программных приложений. При переходе в режим ожидания источник света будет мигать зеленым цветом.

Сканирование с помощью приложения DaVinci Resolve



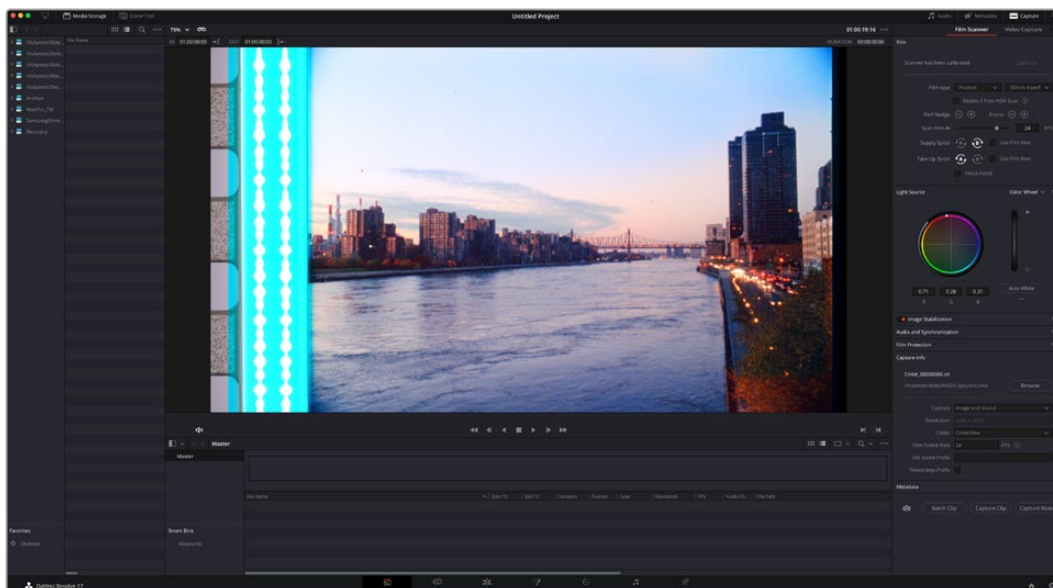
В этом разделе описаны настройки и инструменты панели «Сканер пленки» в приложении DaVinci Resolve, которые используют для управления сканером. Среди доступных опций — калибровка устройства, регулировка источника света и температуры цвета, стабилизация изображения и другие функции. Поскольку со временем кинопленка становится более чувствительной к физическому воздействию, можно выбрать, насколько деликатно будет выполняться ее обработка.

COBET. DaVinci Resolve сохраняет все настройки сканера вместе с текущим проектом.

Интерфейс сканера Cintel

Чтобы управлять сканером из DaVinci Resolve, выберите вкладку «Захват» в верхней строке страницы «Мультимедиа». Откройте панель «Сканер пленки», которая позволяет выполнить

настройку, калибровку и определение либо сканирование выбранного участка с установленной пленки. Чтобы увеличить рабочее пространство панели, нажмите крайнюю кнопку в правом углу пользовательского интерфейса и отключите панель «Метаданные».



Элементы управления сканером на странице «Мультимедиа»

Управление воспроизведением

Эти инструменты находятся под окном просмотра и идентичны функциям режима воспроизведения. Дополнительно используется переход вперед или назад на один кадр.

Управление точками входа и выхода

В режиме сканирования кнопки входа и выхода позволяют точно задать диапазон пленки для оцифровки фильма.

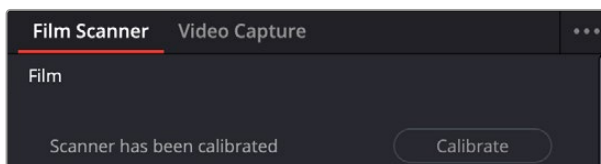
При оцифровке клипов на стр. «Мультимедиа» справа от окна просмотра отображаются перечисленные ниже параметры.

Настройка пленки

Данные элементы управления позволяют задать параметры калибровки оптики, выбрать тип пленки или бобины, отрегулировать положение кадра, скорость сканирования и направление вращения катушки, а также включить либо выключить индикацию фокуса.

Калибровка

Этот инструмент позволяет выполнять калибровку оптики сканера, чтобы избежать появления дефектов или пыли. Обратите внимание, что загрязнения с самой пленки не удаляются.



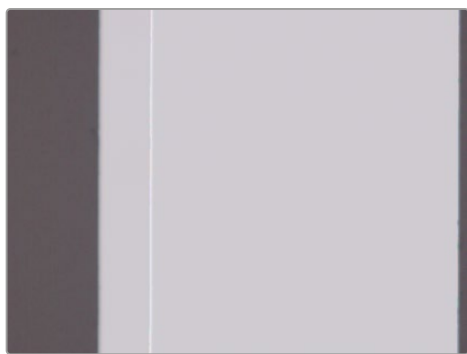
Кнопка «Калибровать» поможет удалить пыль с оптики сканера

Хотя перед работой с новым материалом рекомендуется удалять пыль с оптики, со временем возможно образование оптических дефектов, которые нельзя устранить физически. В этом случае нажатием кнопки «Калибровать» их удаляют с отсканированного материала.

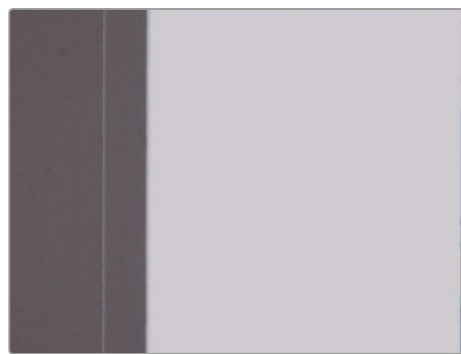
Калибровку оптики необходимо выполнять после установки и выравнивания пластины для оцифровки. Это позволит добиться максимально качественной стабилизации изображения.

Чтобы обеспечить поддержку типов пленки малого формата, кнопка калибровки дополнительно анализирует установленный фильм канал и настраивает изображение относительно заданного опорного значения. Для достижения оптимального результата соответствующий процесс следует запускать после каждой замены фильмового канала в условиях отсутствия пленки.

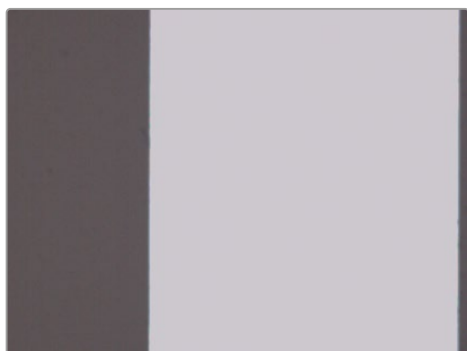
При использовании 8-мм фильмового канала после регулировки створок апертуры под другой 8-мм формат необходимо повторить процесс калибровки, чтобы избежать появления остаточного изображения.



Некорректная настройка: вид пленки Super 8 при калибровке под формат Standard 8



Некорректная настройка: вид пленки Standard 8 при калибровке под формат Super 8

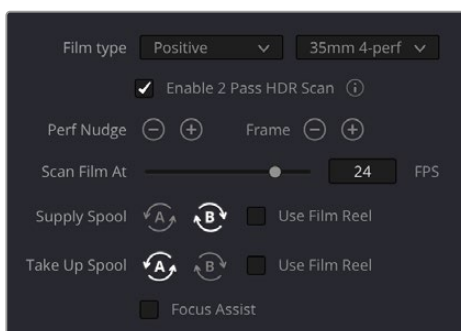


Корректная калибровка под пленку Standard 8

Тип пленки

Позволяет выбрать тип сканируемого носителя. Как для цветной, так и для черно-белой пленки доступны следующие варианты: позитивная, негативная, интерпозитивная и интернегативная. Сканирование в режиме HDR обеспечивает более качественный результат для всех указанных типов пленки: 35 мм (2, 3 и 4 перфорации на кадр), 16 мм, а также Super 8 и 8 мм. Сканер автоматически определяет вид пленки: 35, 16 или 8 мм. Для последнего из них по умолчанию выбран формат Super 8. При оцифровке обычной 8-мм пленки потребуется вручную настроить сканер.

При работе с интерпозитивом и интернегативом на решениях Cintel Scanner и Cintel Scanner G2 повышенная плотность пленки требует более длительного импульса источника света. Обычно это не влияет на результат, но может привести к небольшому снижению в качестве разрешения при оцифровке со скоростью выше 12 кадров/с. В этом случае достаточно уменьшить скорость сканирования до 12 кадров/с или ниже.



Инструменты «Тип пленки» на стр. «Мультимедиа»

Сканирование в HDR в 2 прохода

Позволяет задавать многоразовое HDR-сканирование. Обязательно выполните автоматическую корректировку уровня черного или белого на кадре с широким динамическим диапазоном, так как по нему эта операция установит уровни высокой и нормальной экспозиции.

Сдвиг перфорации

Позволяет более точно задать расположение перфорации относительно кадрового окна сканера. При использовании клавиатуры одновременное нажатие Command и “J” выполняет смещение вверх, Command и “L” — вниз.

Кадр

Для включения функции нажмите и удерживайте кнопки. При активации пленка медленно движется вперед или назад с шагом один кадр. Если отпустить кнопку, пленка останавливается. Это позволяет совместить кадр пленки с матрицей. Кнопки сдвига перфорации и кадра дают возможность точно задать границы, так как края предыдущего и последующего кадров выводятся сверху и внизу окна просмотра, а текущий кадр остается ровно по центру.

Убедитесь в том, что во время такой настройки изображение в окне просмотра не увеличено. При одновременном нажатии с клавиатуры Command и стрелки влево выполняется смещение на один кадр вверх, Command и стрелки вправо — на один кадр вниз.

Скорость сканирования

При использовании жесткого диска с соответствующей производительностью оцифровка ведется с частотой 30 кадров/с. Если диск имеет недостаточное быстродействие, скорость сканирования можно уменьшить, чтобы не допустить пропуска кадров.

Подающая катушка

Позволяет задавать направление вращения подающей (левой) катушки. Несмотря на автоматическое распознавание используемой конфигурации, ее следует указать вручную.

Приемная катушка

Позволяет задавать направление вращения приемной (правой) катушки. Несмотря на автоматическое распознавание используемой конфигурации, ее следует указать вручную.

Маленькая бобина

Маленькие и большие бобины отличаются по весу и инерционным характеристикам, которые могут влиять на воспроизведение. Используйте эту опцию при работе с небольшими бобинами.

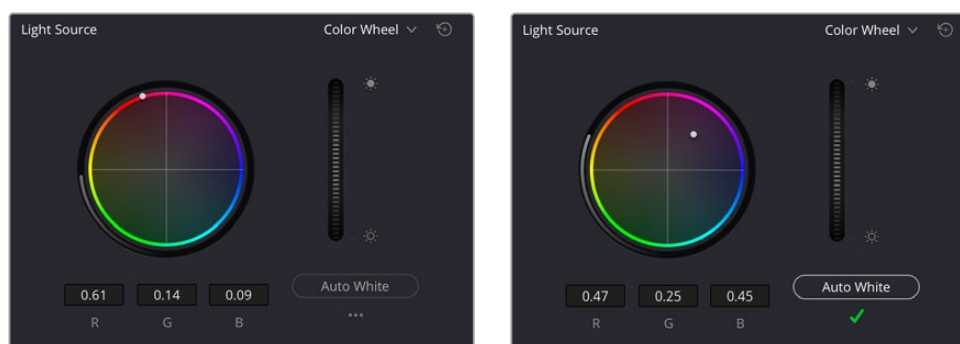
Индикация фокуса

Позволяет использовать выделение контуров изображения на подключенном HDMI-мониторе и в окне просмотра на панели Film Scanner, что облегчает настройку фокусировки.

Регулировка источника света

Эти элементы управления позволяют регулировать источник света для настройки оптимального значения плотности Dmin (минимальное значение сигнала сканирования), а также задавать температуру цвета в оцифрованном материале. Правильная настройка соответствующих значений обеспечит наилучшие результаты и позволит избежать утраты данных изображения во время процесса. При замене пленки рекомендуется проверить параметры источника света для достижения высокого качества.

Для настройки используйте индикаторные диаграммы приложения DaVinci Resolve. Чтобы открыть их на странице «Мультимедиа», выберите «Рабочая область» > «Диаграммы видео» > «Вкл.».



Инструменты «Источник света» на странице «Мультимедиа» показывают состояние неоткалиброванного источника света (слева) и после успешной калибровки (справа)

Основной регулятор источника света

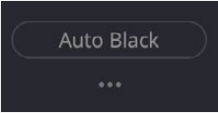
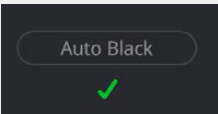
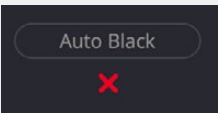
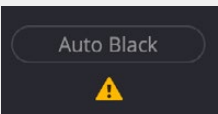
Вертикальное колесико, расположенное рядом с цветовым кругом, служит для настройки интенсивности источника света с одновременным увеличением или уменьшением значений каналов RGB. При работе с негативной пленкой это позволяет задать уровень черного — самое темное место эмульсионного покрытия, которое соответствует светлым участкам изображения. Настройте интенсивность света таким образом, чтобы при измерении с помощью гистограммы получить значение Dmin чуть выше 95. Это гарантирует сохранение деталей в областях света при LOG-преобразовании Cineon. Для позитивной пленки достаточно задать настройку таким образом, чтобы не допустить искажений сигнала.

Кнопка «Автом. ур. черного»/«Автом. ур. белого»

Позволяет анализировать отображаемый на экране кадр и автоматически корректировать уровень черного для негатива или интернегатива с помощью функционала выравнивания. Для позитивной копии и интерпозитива при установке точки белого используется самый яркий участок в области изображения, поэтому выбор зоны для обработки особенно важен. Кроме того, для позитивных пленок можно взять за основу кадр с перфорацией, чтобы задать максимальное значение белого и гарантировать соответствие всех последующих кадров одному стандарту. В этом случае кнопка меняет название на «Автом. ур. белого».

Индикаторы состояния источника света

Эти индикаторы под кнопкой автоматической корректировки черного или белого предоставляют информацию об успешном завершении процесса калибровки или наличии проблем, которые следует устранить. Они также служат напоминанием о необходимости повторной калибровки светодиодного источника для обеспечения самого высокого качества сканирования.

	Калибровка источника света еще не выполнена.
	Калибровка источника света успешно выполнена.
	Ошибка калибровки источника света. Убедитесь, что выбраны правильный тип пленки и подходящее опорное изображение, а на пути источника света нет никаких препятствий. При необходимости попробуйте изменить положение пленки и выбрать альтернативный кадр.
	Калибровка источника света позволила успешно сбалансировать цвета, но не достигла результата желаемого уровня. В таком случае можно скорректировать параметры изображения на странице «Цвет» приложения DaVinci Resolve или выбрать альтернативный опорный кадр для калибровки с более широким динамическим диапазоном.

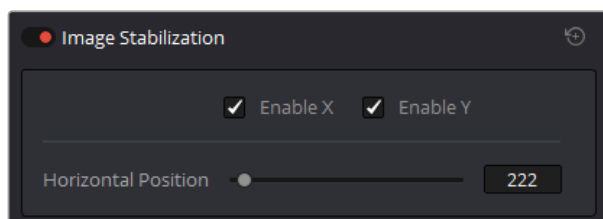
Поля RGB

По умолчанию цветовой баланс позволяет настраивать все три канала с помощью изменения температуры цвета в источнике света. Поля значений R (красного), G (зеленого) и B (синего) цветов находятся под цветовым кругом. С помощью всплывающего меню справа от заголовка «Источник света» эти инструменты можно отображать в виде вертикальных слайдеров.

ПРИМЕЧАНИЕ. Параметры калибровки сохраняются при замене бобин. Это позволяет сканировать несколько единиц с одинаковой настройкой источника света в режимах SDR и HDR. Чтобы ее изменить, необходимо выполнить регулировку заново или выключить и включить решение Cintel.

Стабилизация изображения

Эти инструменты позволяют включать и отключать функцию стабилизации изображения, которая устраняет смещение пленки по вертикали или горизонтали.



Настройки стабилизации изображения на странице «Мультимедиа»

Включение и отключение стабилизации изображения

Слева от заголовка «Стабилизация изображения» находится точка, которая служит для включения и отключения аппаратной стабилизации изображения. Обычно она используется при высоком качестве перфорации пленки. Если пленка изношена и необходимо применить программную стабилизацию в приложении DaVinci Resolve, эту функцию можно отключить.

При включении аппаратной стабилизации в окне просмотра отображается горизонтальная ось, обозначающая используемую зону перфорации на краю пленки. Во время записи ось автоматически скрывается. Функция стабилизации включена по умолчанию.

Флажки «Включить ось X» и «Включить ось Y»

Позволяют активировать аппаратную стабилизацию для корректировки смещения по горизонтали (X) или по вертикали (Y). Если при использовании обеих осей получен плохой результат, можно отключить ту из них, которая вызывает проблемы со стабилизацией, и вместе этого применить соответствующий функционал программного пакета DaVinci Resolve.

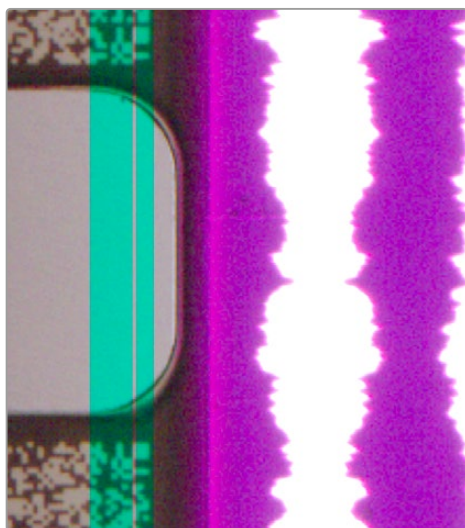
Слайдер «Горизонтальное положение»

Инструмент выравнивания для стабилизации изображения представляет собой голубую полосу, которая автоматически помещается в оптимальное положение по отношению к перфорации текущего кадра.

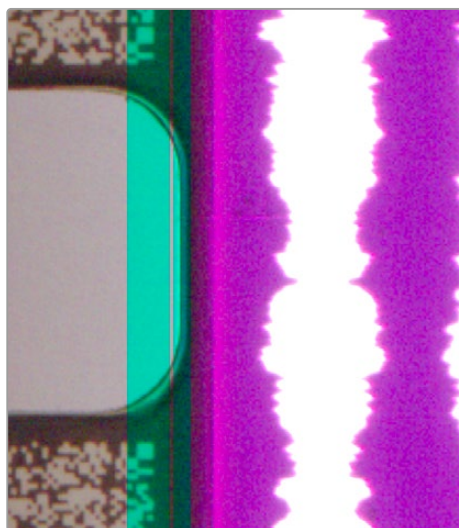
Эта полоса содержит тонкую прозрачную линию. Для оптимальной стабилизации изображения она должна соприкоснуться с краем перфорации. Если автоматическое позиционирование выполняется некачественно, можно выполнить ручную корректировку перетаскиванием полосы с помощью мыши или с использованием горизонтального слайдера.

При оптимальном положении инструмента выравнивания прозрачная линия в голубой полосе должна находиться у края перфорации, как показано на рисунке. Это позволяет выполнить аппаратную стабилизацию изображения по горизонтальной оси X.

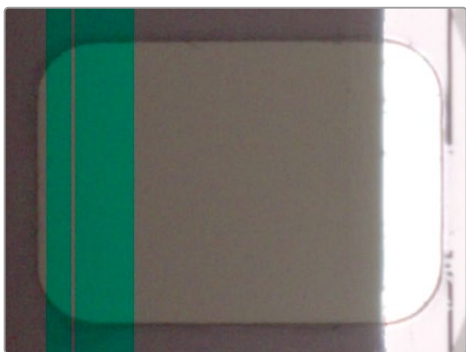
Когда в поле «Включить ось Y» поставлен флажок, при стабилизации изображения автоматически устраняется смещение по вертикали. Это действие выполняется одновременно с корректировкой по горизонтали и не требует дополнительной настройки.



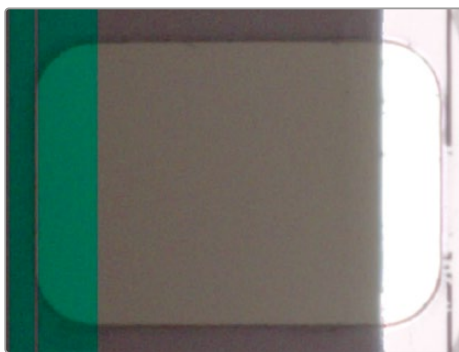
Ошибка установки 35-мм пленки. Неправильное расположение инструмента выравнивания (прозрачная линия внутри голубой полосы не совмещена с краем перфорации).



Правильная установка 35-мм пленки. Правильное расположение инструмента выравнивания (прозрачная линия внутри голубой полосы соприкасается с краем перфорации).



Ошибка установки 16-мм пленки. Прозрачная линия внутри голубой полосы не совмещена с краем перфорации. При использовании пластины для оцифровки 16-мм пленки с HDR-качеством выполняется автоматическое выравнивание по обратной стороне перфорации, чтобы не затронуть изображение и улучшить уровень стабильности работы в горизонтальной плоскости. Если установлена иная пластина для 16-мм носителя, она функционирует так же, как для 35-мм пленки.



Правильная установка 16-мм пленки. При корректном расположении инструмент выравнивания не затрагивает содержимого изображения (прозрачная линия внутри голубой полосы соприкасается с левым краем перфорации).



Ошибка установки 8-мм пленки. Прозрачная линия внутри голубой полосы не совмещена с краем перфорации.



Правильная установка 8-мм пленки. При корректном расположении инструмент выравнивания не затрагивает содержимого изображения (прозрачная линия внутри голубой полосы соприкасается с левым краем перфорации).

Чтобы проверить результат стабилизации перед сканированием, установите полное разрешение для окна просмотра и увеличьте область перфорации для выполнения точной регулировки, перейдя к настройкам в верхнем правом углу и в меню выбрав опцию «Просмотр с полным разрешением», а затем в верхнем левом углу — значение 100% на шкале масштабирования. Это не влияет на функцию стабилизации, но позволяет вести мониторинг в наилучшем качестве.

Данная настройка требует больших ресурсов графической карты, что иногда приводит к задержке вывода на экран. Для ускорения работы ее рекомендуется отключать после проверки стабилизации. Стоит отметить, что параметры расположения инструмента выравнивания сохраняются в настройках проекта, а не клипа, поэтому может потребоваться индивидуальная регулировка для разных пленок.

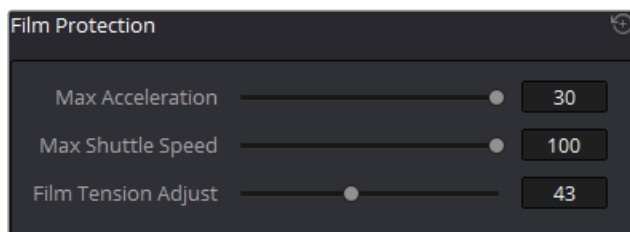
Сброс его настроек в положение по умолчанию для определенного типа пленки легко выполнить с помощью соответствующей кнопки на панели стабилизации.

Аудио и синхронизация

Данная панель содержит ряд параметров для настройки дополнительного устройства Cintel Audio and KeyCode Reader. Подробнее см. соответствующий раздел руководства.

Защита пленки

Эта функция позволяет выполнять деликатную обработку пленки. Ускорение движения, а также скоростная перемотка старой пленки могут повредить ее состояние. При оцифровке архивных носителей значения обоих этих параметров рекомендуется уменьшить до выбранных по умолчанию.



При сканировании старых архивных пленок необходимо уменьшить значения ускорения и скорости перемотки

ПРИМЕЧАНИЕ. Слайдер регулировки натяжения пленки появляется при использовании сканеров Cintel с зубчатыми шкивами.

Макс. ускорение

Установка максимальной величины ускорения в диапазоне от 5 до 30 fps в секунду.

Макс. скорость перемотки

Позволяет изменять скорость перемотки в диапазоне от 1 до 100 кадров/с для 35-мм пленки и от 1 до 200 кадров/с для 16-мм пленки.

Регулировка натяжения пленки

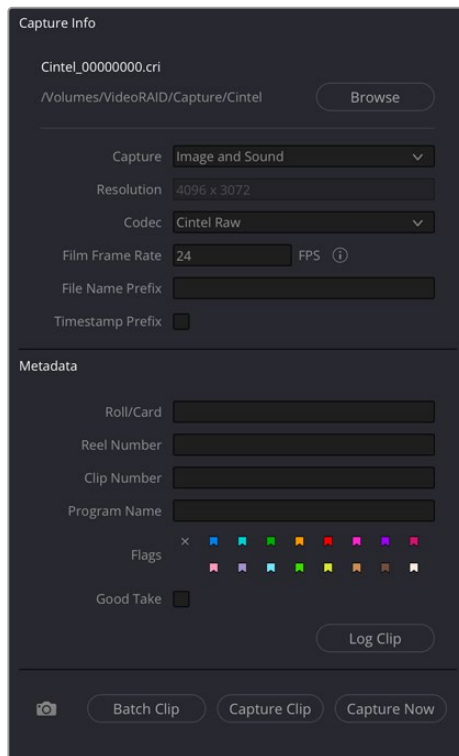
Если на сканере установлены зубчатые шкивы, данная настройка позволяет регулировать натяжение 35-мм пленки. Это, к примеру, может понадобиться при работе с архивными материалами или для компенсации усадки пленки. Повредить ленту с помощью данной опции нельзя. Даже небольшой коррекции будет достаточно, чтобы устранить смещение перфорации.

Подобное нарушение на модели Cintel Scanner с гладкими шкивами произойти не может, поэтому данная настройка находится в выключенном состоянии или отсутствует.

Редактирование метаданных

Когда при сканировании используют приложение DaVinci Resolve, на панели «Сканер пленки» отображается вкладка «Информация о захвате». Она содержит редактируемые поля с метаданными, которые описывают различные свойства клипов (место сохранения файлов и их формат, тип кодека и кадровая частота) и доступны на странице «Мультимедиа».

Перед сканированием можно изменить нужные настройки проекта.



Вкладка «Информация о захвате» содержит метаданные сканируемого материала

Место сохранения

Перед сканированием перейдите на вкладку «Информация о захвате» панели «Сканер пленки» и убедитесь в том, что файлы будут сохраняться в заданном расположении. Нажмите кнопку «Обзор» и в диалоговом окне выберите нужную папку. Это действие рекомендуется выполнить в первую очередь.

Захват

При установке устройства Cintel Audio and KeyCode Reader эта настройка позволяет выбрать одну из трех опций: «Только звук», «Изображение и звук» или «Только изображение».

Разрешение

Этот параметр зависит от исходного формата изображения на пленке, поэтому данное поле нельзя изменить.

Кодек

По умолчанию используется кодек Cintel Raw со сжатием без визуальных потерь. Чтобы получить файлы меньшего размера, можно выбрать опцию Cintel Raw 3:1.

Кадровая частота пленки

Позволяет задать кадровую частоту, используемую при записи материала на пленку. После этого выполняется автоматическая коррекция временной шкалы с учетом указанного значения. Данный параметр не имеет отношения к скорости захвата, воспроизведения и перемотки.

При сканировании аудио с помощью устройства Audio and KeyCode Reader кадровая частота будет автоматически настроена так, чтобы поддерживать дискретизацию звука на уровне 48 кГц. Вывод тайм-кода возможен только для частот 16, 24, 25 и 30 fps.

Префикс имени файла

Обозначение для идентификации полученного изображения (например, название проекта).

Префикс с меткой времени

Поставьте флажок для добавления временной метки вместе с выбранным префиксом имени файла. Клипы будут сохраняться в отдельные подпапки в указанном месте диска. По умолчанию эта опция включена.

Если вы хотите поместить все клипы в одну основную папку без тайм-кода в имени файла, снимите флажок в этом поле.

ПРИМЕЧАНИЕ. Если выбрано сохранение файлов в одну и ту же папку без временных меток и уникальных имен, это может привести к их перезаписи.

Катушка/карта, Номер тома, Номер клипа, Название программы

Эти опции помогают идентифицировать клип с помощью метаданных.

Флажки

Эти цветные флажки можно использовать для маркировки клипов.

Хороший дубль

Эта настройка соответствует метаданным помеченных дублей в медиатеке.

Внести клип

Добавление клипа в медиатеку. После того как помечены точки входа и выхода для сканирования нужного фрагмента, проверьте метаданные и нажмите кнопку «Внести клип». Подробнее см. разделы о регистрации и обработке клипов в руководстве по DaVinci Resolve.

Пакет клипов, Захват клипа, Начать захват и Снимок

Эти кнопки позволяют выбирать разные способы оцифровки. Подробнее см. раздел «Оцифровка одного или нескольких участков пленки».

Оцифровка пленки

Ниже описано, как выполнять оцифровку пленки и управлять сканером Cintel с помощью приложения DaVinci Resolve. Описанные в предыдущих разделах функции представлены в том порядке, в котором они используются при сканировании.

До начала работы

Перед включением сканера и установкой пленки необходимо удалить пыль с фильмового канала, чтобы не допустить дополнительного загрязнения пленки. Это легко сделать с помощью сжатого воздуха, но в случае необходимости канал можно снять для более тщательной очистки. После завершения очистки включите сканер Cintel, запустите приложение DaVinci Resolve и создайте проект для сохранения готового материала. Затем нажмите кнопку «Сканер Cintel» на странице «Мультимедиа». Перейдите на вкладку «Сканер пленки».

Перед установкой пленки на сканер и любыми другими действиями нажмите кнопку «Калибровать» в нижней левой части панели. Хотя пыль с канала необходимо удалять каждый раз перед оцифровкой нового носителя, калибровка помогает устранить дефекты оптики в оцифрованном материале.

Установка и выравнивание пленки

Установите на сканер предназначенный для оцифровки носитель. При наличии изображения сканер автоматически выравнивает кадр. Если первоначально через сканер пропущен заправочный конец, выравнивание может быть некорректным.

Затем выберите тип пленки. При необходимости ручного выравнивания используйте кнопки «Подтолкнуть перф.» и «Кадр». Расположение пленки является правильным, если края предыдущего и последующего кадров выводятся вверху и внизу окна просмотра, а текущий кадр остается точно по центру. Убедитесь в том, что во время такой настройки изображение в окне просмотра не увеличено.

Фокусировка

Установка резкости для изображения, поступающего на матрицу сканера, выполняется таким же способом, как фокусировка объектива на камере. Для наилучшего результата поставьте флажок в поле «Индикация фокуса» панели «Сканер пленки». В этом случае наиболее резкие элементы Ultra HD-изображения будут выделяться на подключенном HDMI-мониторе и в окне просмотра приложения DaVinci Resolve. Для наилучшего результата подключите Ultra HD-дисплей к сканеру Cintel, чтобы во время установки фокуса вести мониторинг с максимально высоким разрешением.

Когда функция «Индикация фокуса» включена, при корректной настройке фокуса границы зерна будут выделены цветом. Это позволит правильно установить фокус, даже если пленка содержит нерезкое изображение. Во время регулировки с помощью колесика следите за изображением на подключенном Ultra HD-дисплее. Изображение будет находиться в фокусе, если зерна пленки показаны как наиболее резкие элементы.

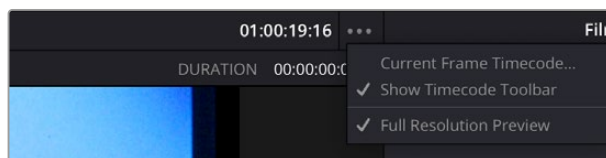
После изменения фокуса проверьте края перфорации. Если они резкие, то настройка выполнена правильно.

Ввод тайм-кода

Чтобы ввести тайм-код предназначенного для оцифровки катушки пленки, необходимо задать нулевой кадр. Для этого обычно перед самым первым кадром с информацией пробивают небольшое отверстие, которое используется как опорная точка. Она называется маркерным кадром. При установке тайм-кода для первого кадра нужно выполнять сверку по такому маркеру, чтобы в случае последующего сканирования получать одинаковое число кадров.

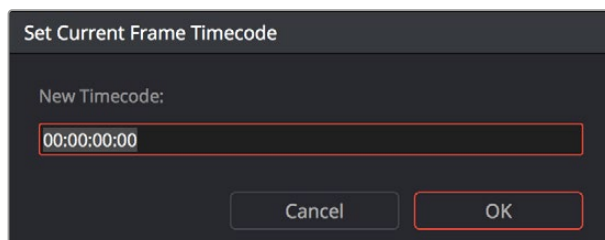
Установка тайм-кода с помощью маркерного кадра

- 1 Используйте органы управления под экраном просмотра, чтобы перейти к маркерному кадру.
- 2 Щелкните меню окна просмотра и выберите «Тайм-код текущего кадра».



Выбор опции «Тайм-код текущего кадра» в меню окна просмотра

- 3 В открывшемся диалоговом окне введите значение тайм-кода. Например, при сканировании первой катушки проекта можно ввести 01:00:00:00.



Диалоговое окно «Установить тайм-код текущего кадра»

- 4 Нажмите «OK».

Тайм-код не может быть отрицательным, поэтому не используйте нулевое значение для начального кадра. Частой практикой является изменение часа при смене катушки, что помогает избежать случайной путаницы и упрощает идентификацию оцифрованного клипа по носителю и кадровому диапазону.

Сканер Cintel имеет встроенные порты для установки дополнительных аппаратных решений. Это дает возможность выполнять считывание футажных кодов с негатива, а также оптической или магнитной звуковой дорожки. Подробнее см. раздел «Дополнительное устройство Audio and KeyCode Reader».

Выбор места для сохранения оцифрованных кадров

Чтобы выбрать папку для сохранения оцифрованных материалов, перейдите в меню «Информация о захвате» панели «Сканер пленки» и нажмите кнопку «Обзор». В других полях можно ввести дополнительную информацию, которая будет добавлена к именам файлов и папок, а также обозначение катушки, бобины, клипа или программы. При заполнении данных «Префикс имени файла» обновляется имя файла, которое выводится в качестве заголовка вместе с указанием места хранения, разрешения, кадровой частоты, продолжительности и формата. По умолчанию в меню «Информация о захвате» используется опция «Префикс с меткой времени», поэтому клипы будут находиться в отдельных подпапках и иметь временные метки в качестве префикса.

Если вы хотите поместить все клипы в одну основную папку, снимите флажок в этом поле.

При обработке в HDR-режиме выполняется оцифровка с высоким значением экспозиции, а клип сохраняется в скрытой папке . HDR в том же месте, где находится изображение стандартного прохода. Если удалить папку . HDR, скан будет преобразован в обычный клип после обновления хранилища мультимедиа и повторного импорта в медиатеку. Такая функция удобна при возникновении проблем с HDR-фрагментом изображения, так как позволяет превратить его в обычный клип формата CRI.

Выбор кодека

По умолчанию используется кодек Cintel Raw. При необходимости можно также выбрать настройку Cintel Raw 3:1.

Сканирование на Cintel в формате RAW

Каждый сканируемый файл сохраняется в формате RAW с использованием шаблона Байера. Он записывается со встроенными метаданными в виде единого 12-битного линейного CRI-файла. Во время грейдинга в DaVinci Resolve выполняется автоматическая дебайеризация с преобразованием в 12-битные кодированные LOG-данные.

Логарифмическое кодирование похоже на кодирование в Cineon, но не идентично ему. Например, материал с негативной пленки кодируется с помощью Gamma 2.046, в то время как позитив использует кривую Gamma 2.2 с полным диапазоном, что гарантирует сохранение всех данных. Материал, созданный с помощью любого из двух логарифмических кодирований, можно преобразовать в линейное цветовое пространство с помощью одномерной LUT-таблицы Cintel to Linear, а затем — в другие пространства.

Оцифровка пленки выполняется при полностью открытом окне сенсора 4096 x 3072. Это позволяет считывать волну аудиосигнала для обработки оптического звука и стабилизировать зацепление перфорации. Изображение затем обрезают, а разрешение файла зависит от исходного формата изображения на пленке после удаления области перфорации и звуковой дорожки. Подробнее о разрешении сканирования для различных типов пленки см. раздел технических характеристик.

По умолчанию файлы в формате Cintel RAW создаются с переменным битрейтом с примерным коэффициентом сжатия 3:2 без визуальных потерь. При использовании опции Cintel RAW 3:1 выполняется компрессия 3:1, которая гарантирует по-прежнему высокое качество изображения, но не всегда обеспечивает отсутствие визуальных потерь. Например, при сканировании пленки 35 мм (4 перфорации/кадр) файлы Cintel RAW имеют примерный размер 12,5 МБ, а Cintel RAW 3:1 — 6,3 МБ. При оцифровке 16-мм пленки файлы Cintel RAW имеют размер около 4 МБ, Cintel RAW 3:1 — 2 МБ.

Настройки качества для CinemaDNG

Качество файлов CRI контролируют с помощью настроек «Качество декодирования» для профиля CinemaDNG, которые находятся на панели «Настройки RAW камеры» окна «Настройки проекта». По умолчанию выбрана опция «Полное». При использовании компьютера с медленным процессором или ограниченными ресурсами памяти уровень качества можно уменьшить, однако это повлияет на качество конечного рендеринга.

Настройка разрешения временной шкалы

Отображение и вывод оцифрованного видео выполняется с тем же разрешением, которое установлено на временной шкале в DaVinci Resolve. Например, при сканировании пленки 35 мм (4 перфорации/кадр) для максимального качества рекомендуется настройка 4096 x 3072.

ПРИМЕЧАНИЕ. Если для временной шкалы выбраны режим HDR и экспорт материала в формате Ultra HD, может произойти снижение качества разрешения.

Подробнее о разрешении в зоне обрезки изображения для всех форматов пленки см. пункт «Эффективное разрешение» в разделе технических характеристик. Для установки полного разрешения сохраняемого клипа перейдите к настройкам «Атрибуты клипов» в DaVinci Resolve.

Настройка цвета оцифрованных материалов

Панель «Сканер пленки» позволяет управлять экспозицией и цветовой температурой используемого при оцифровке света. С помощью настроек «Источник света» и RGB можно максимально увеличить объем данных по каждому кадру и избежать искажений, которые ведут к утрате отдельных деталей изображения. CRI является разновидностью формата RAW и содержит данные, используемые при обработке в DaVinci. Если на экранных индикаторах видны погрешности, они могут сохраниться в отсканированном материале.

Частота настройки цвета и экспозиции зависит от разнообразия сцен в отдельной катушке пленки. Например, некоторые из них содержат множество дублей одной и той же сцены с одинаковым освещением и настройками.

В других случаях пленки содержат ряд разных сцен с меняющимся освещением, поэтому для максимального качества получаемых данных к каждому клипу нужно применять индивидуальные настройки.

Параметры «Источник света» и RGB не допускают автоматического изменения между клипами при сканировании выбранных фрагментов. Это значит, что текущие настройки будут применяться на всем сканируемом материале до их следующего изменения вручную, в том числе для клипов из различных частей катушки пленки. Таким образом, такой процесс рекомендуется только в тех случаях, когда выполняется оцифровка клипов с одинаковыми параметрами света и RGB.

В остальных случаях рекомендуется менять настройки света для каждого клипа, чтобы добиться максимального качества изображения. Следует помнить, что цель данного этапа — сохранение большого объема данных, который позволяет получить необходимый результат в процессе грейдинга с помощью инструментов на странице «Цвет».

Чтобы установить настройки источника света, выберите изображение, типичное для данного участка или первой серии кадров, и измените их во время просмотра экранных индикаторов.

Настройка «Источник света» задает интенсивность источника света путем одновременного повышения или понижения значений для всех трех каналов RGB. При работе с обычной негативной пленкой это позволяет скорректировать уровень черного на эмульсионном покрытии, который соответствует светлым участкам изображения. Настройте источник света таким образом, чтобы при измерении с помощью гистограммы получить значение D_{min} чуть выше 95. Это гарантирует сохранение деталей в областях света при LOG-преобразовании Cineon, которое выполняется в DaVinci при дебайеризации CRI-файлов для дальнейшего грейдинга. Для позитивной пленки вручную выберите такую настройку источника света, которая поможет избежать утраты деталей в областях света или тени. Обычно это значение составляет 1000 для 10 бит или 4000 для 12 бит.

Чтобы получить минимальное значение плотности $D_{min} = 95$, можно включить опцию «Показать опорные уровни» для формы сигнала, RGB-дисплея или гистограммы, а затем выбрать значение «Низк.».

После выполнения описанных выше действий настройте значения каналов RGB, чтобы изменить температуру цвета для источника света. Это обеспечит оптимальный баланс цвета в итоговом материале.

Оцифровка одного или нескольких участков пленки

Во время сканирования для каждого клипа можно ввести метаданные в окне «Метаданные». Поля меню «Информация о захвате» содержат информацию для префикса файлового имени, номера тома и клипа, названия программы, установки флажков и пометы «Хороший дубль». Если эти данные ввести до сканирования материала, они будут записаны вместе с ним.

Внизу панели «Информация о захвате» есть четыре кнопки для сканирования пленки.

Четыре способа сканирования пленки

Начать захват

Использование этого режима позволяет сканировать длинные участки пленки за один прием. Оцифровка начинается рядом с текущим кадром и заканчивается при нажатии кнопки «Остановить».

В режиме «Сканировать в HDR в 2 прохода» нажмите кнопку «Захват в HDR» в тот момент, когда закончен первый проход выбранного фрагмента и нужно начать проход того же фрагмента с высоким значением экспозиции. Без выбора этой опции автоматически выполняется оцифровка всего материала в два прохода: сначала в обычном порядке, затем — с высокой экспозицией.

Захват клипа

Оцифровка с более высокой степенью контроля для сканирования отдельных участков пленки. Выберите «Захват клипа» после того, как были использованы элементы управления движением пленки и кнопки входа и выхода для определения диапазона участка.

В режиме «Сканировать в HDR в 2 прохода» для сканирования с высокой интенсивностью используются такие же точки входа и выхода, как при первоначальном проходе.

Пакет клипов

Выбор нескольких клипов для их пакетной оцифровки с помощью текущих настроек «Источник света» на панели «Сканер пленки». С помощью точек входа и выхода задайте фрагменты для сканирования, затем нажмите кнопку «Внести клип», чтобы сохранить диапазон неотсканированного клипа в медиатеке. При нажатии «Пакет клипов» все клипы будут поочередно обработаны. Также можно выбрать только один или несколько клипов для оцифровки. Дополнительно предусмотрены импорт EDL-файла для отдельной катушки пленки и его использование для сканирования заданных клипов.

ПРИМЕЧАНИЕ. При нажатии кнопки «Внести клип» используются одинаковые настройки для всех клипов в пакетном сканировании, причем во время оцифровки применяются самые последние настройки проекта. Перед началом пакетного сканирования рекомендуется проверить установленные параметры обработки.

При выборе режима «Сканировать в HDR в 2 прохода» для сканирования с высокой интенсивностью используются те же самые точки входа и выхода, как для первого прохода при пакетной обработке.

Подробнее о пакетном сканировании см. раздел "Ingesting From Tape" в руководстве по DaVinci Resolve.

СНИМОК

Позволяет обработать отдельный кадр с обычной экспозицией и текущими настройками сканера.

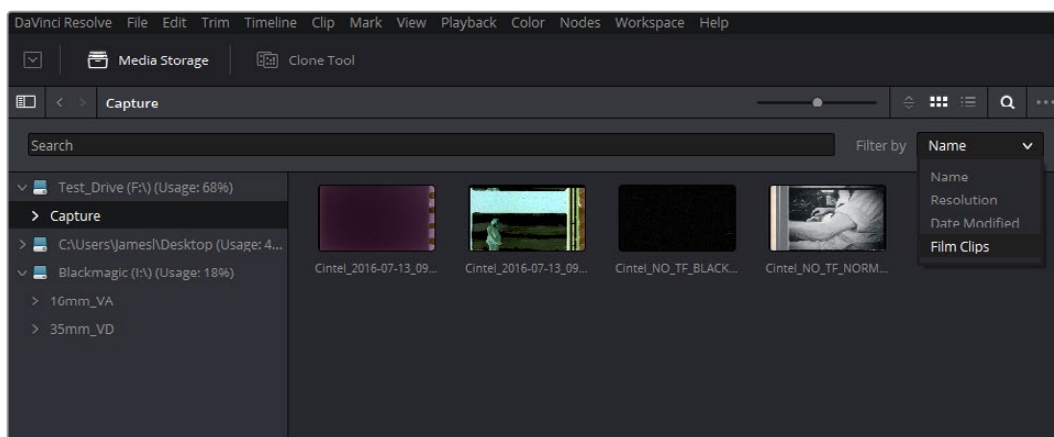
Если при сканировании приложение DaVinci Resolve обнаружит, что скорость сохранения данных слишком низкая по сравнению с заданной, скорость сканирования будет автоматически изменена. Если при этом используется устройство Audio and KeyCode Reader, частота дискретизации звука будет также настроена в соответствии с заданным качеством аудиосигнала.

Извлечение звука

Если пленка также содержит оптическую звуковую дорожку, ее можно выделить отдельно. В этом случае DaVinci автоматически применяет поправку на задержку изображения относительно звука, которая составляет 26 кадров для 16-мм и 21 кадра для 35-мм пленки. Укажите все клипы с оптической аудиодорожкой, нажмите правой кнопкой мыши на любом из них и выберите команду «Извлечь звук». Приложение выполнит анализ звука в каждом кадре и создаст звуковое сопровождение, синхронизированное с изображением.

Звуковой сигнал каждого клипа будет автоматически выделен, встроен в клип и сохранен в той же папке, куда записываются оцифрованные кадры. При наличии аудиофайла в углу пиктограммы соответствующего клипа отображается маленький значок.

Чтобы упростить обработку звука, клипы в хранилище мультимедиа можно сортировать по именам, разрешению, дате последних изменений или по их типу. Это облегчает поиск и выбор требуемых материалов. Сортировка также позволяет выделять звук из нескольких клипов одновременно. Для этого нажмите правой кнопкой мышки на соответствующих файлах и в меню выберите «Извлечь звук...». При выделении звука состоянии процесса отображается в диалоговом окне. Чтобы закончить выделение, нажмите «Остановить».



Для упрощения работы содержимое хранилища мультимедиа можно сортировать

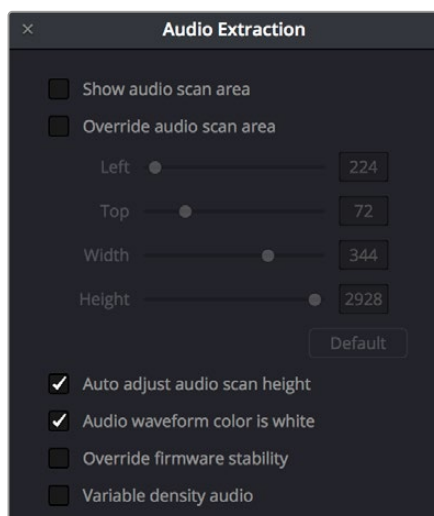
Если флажок «Префикс с меткой времени» на вкладке «Информация о захвате» снят, а выделяемый звук необходимо автоматически встроить в клипы, это можно сделать в окне медиатеки.

Настройки извлечения звука

Обычно после выбора типа пленки DaVinci Resolve позволяет выделять высококачественный звук автоматически. Тем не менее, в зависимости от состояния носителя это не всегда дает желаемый результат. В этом случае можно выполнить ручную настройку.



Для ручной настройки выберите «Показать звуковые настройки Cintel» в правом верхнем углу окна просмотра. Затем откройте окно «Извлечение звука».



Настройки «Извлечение звука» служат для ручного изменения параметров

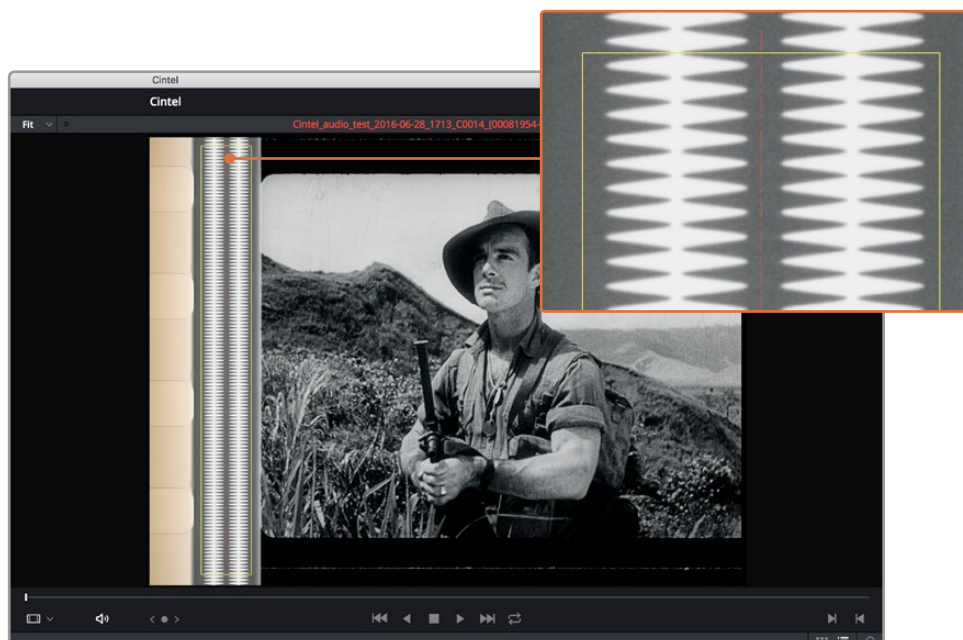
Опции настройки извлечения звука вручную

Показать область сканирования звука

Поле для включения и отключения рамки в зоне оцифровки звука. Рамка отображается сбоку кадра и обозначает область сканирования аудиодорожки, а также указывает информацию, которая будет использоваться во время выделения звука. Ее положение соответствует выбранному типу пленки, но при необходимости его можно изменить вручную. Рамка также позволяет контролировать извлечение звука и вносить поправки при выявлении потенциальных проблем.

Внутри рамки есть тонкая красная линия, которая разделяет звуковые стереоканалы. При обнаружении моно сигнала эта линия исчезает, а размер рамки изменяется автоматически в соответствии с шириной моно дорожки.

СОВЕТ. При необходимости в окне просмотра можно увеличивать участок в границах рамки, а также двигаться по нему в любом из направлений. Для этого выберите опцию масштаба в верхнем левом углу, а затем нажмите в окне указателем мыши и протяните его.



При включенной опции «Показать область сканирования звука» на экран выводится рамка, которая позволяет видеть данные в области оцифровки звука и вести мониторинг процесса

Переопределить область сканирования звука

Эта настройка позволяет с помощью слайдеров менять позицию по горизонтали и вертикали, а также ширину и высоту зоны оцифровки звука.

Возможные опции перечислены ниже.

Слева и Ширина

Если аудиодорожка содержится справа, с помощью слайдера «Слева» рамку можно сдвинуть вправо. Обычно это происходит автоматически, если выбран соответствующий тип пленки, однако ручная настройка дает больше гибкости. Таким же образом используется опция «Ширина» для регулировки ширины области сканирования.

Эти инструменты удобны при небольших корректировках у края рамки, если внутри звуковой зоны находятся нежелательные элементы. Они могут появляться из-за трения, разрыва перфорации и разного состояния эмульсии, что в некоторых случаях приводит к ухудшению качества получаемого звука. Чтобы избежать этого, достаточно немного сдвинуть рамку к краю, чтобы исключить помехи.

Сверху

Позволяет настроить положение рамки по вертикали.

Высота

Иногда кинокадры старых пленок могут быть немного меньше обычных размеров из-за сжатия во время длительного хранения. При ручной настройке можно сделать поправку на сжатие с помощью слайдера «Высота».

Автокорректировка высоты сканирования звука

Настройка включена по умолчанию и позволяет автоматически регулировать высоту рамки для обработки звукового сигнала в верхней части каждого кадра. Если во время выделения аудио рамка смещается из-за особенностей звуковой дорожки, это влияет на качество конечного результата. В этом случае снимите флажок для опции и повторите выделение звука.

Если снят флажок в поле «Автокорректировка высоты сканирования звука», убедитесь, что настройка «Высота» задает расположение рамки в оптимальном месте кадра. При необходимости выполните ручную настройку, после которой снова включите автоматическую.

Белый цвет звуковой волны

В зависимости от типа пленки цвет сигнала может быть черным или белым. Если он белый, убедитесь в том, что выбрана соответствующая опция. Это позволит правильно использовать информацию об аудиодорожке. Если цвет сигнала черный, а окружающей области — белый, снимите флажок. Другие автоматические функции, такие как определение средней точки и обнаружение моносигнала, также зависят от правильной настройки этого параметра.

Перекрыть аппаратную стабилизацию

В отдельных случаях из-за состояния пленки внутренняя аппаратная стабилизация вызывает значительное смещение в кадре. Это может привести к некорректной обработке оптической звуковой дорожки. Опция «Перекрыть аппаратную стабилизацию» позволяет использовать перфорацию пленки и проводить перенастройку положения рамки для улучшения итогового результата.

Звук переменной плотности

Если пленка содержит фонограмму переменной плотности, поставьте флажок для этой опции. По умолчанию она не используется.

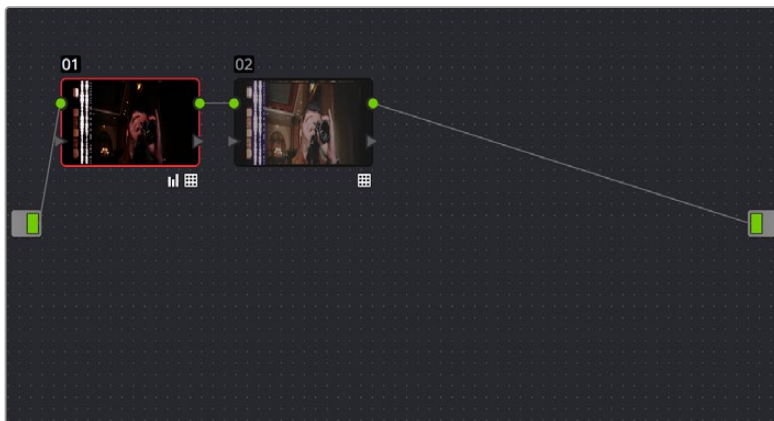
Фонограмму переменной плотности можно идентифицировать как последовательность близко расположенных вертикальных линий, наподобие штрих-кода. По сравнению с ней оптическая фонограмма выводится в виде формы волны.

Цветовое пространство и параметры

Для перевода оцифрованного материала в цветовое пространство дальнейшей обработки служат две одномерные LUT-таблицы: Cintel Negative to Linear и Cintel Print to Linear. Их можно использовать через узел на стр. «Цвет» для преобразования оригинальных сканов в линейное цветовое пространство. Если нужно создать изображение в Rec. 709 или Cineon, примените еще одну LUT-таблицу во втором узле. По умолчанию для позитивной копии используется стандартная гамма со значением 2.2; во всех остальных случаях — значение 2.046.

При работе с негативной пленкой лучше всего использовать опцию инверсии цвета после того, как была применена вторая таблица. Обычно для данных в линейном пространстве требуется грейдинг, который позволяет корректно преобразовать материал в итоговое цветовое пространство. В подменю 3D LUT по каждому узлу доступны несколько LUT-таблиц для конвертирования из линейного в любое другое цветовое пространство.

Подробнее см. раздел “Applying a LUT Within a Node” в главе “Using LUTs” руководства по DaVinci Resolve.

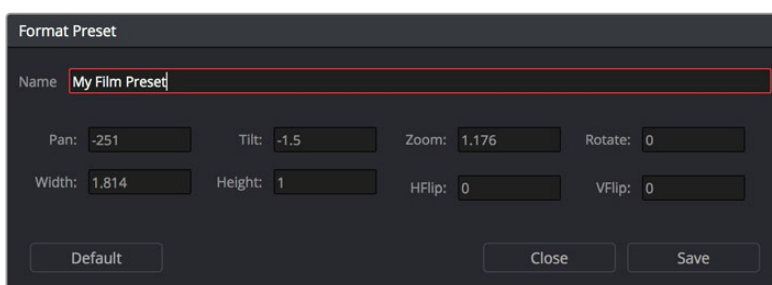


Для конвертирования оцифрованного изображения используют LUT-таблицы в трех узлах. Узел 1 позволяет преобразовать Negative или Print в Linear, узел 2 — из Linear в Rec. 709, а узел 3 выполняет инверсию цвета

Применение LUT-таблицы внутри узла приведет к удалению данных ниже значения 0 и выше 1. Чтобы не допустить этого, можно использовать инструменты «Тени», «Полутона» и «Свет» внутри любого узла вместе с LUT для корректировки изображения до преобразования с помощью LUT-таблицы.

Формат сканируемой пленки и способ съемки содержащегося на ней материала влияют на выбор инструментов кадрирования. Для этого можно использовать изменение размера, масштабирование, растягивание, панорамирование и наклон. На стр. «Цвет» откройте панель «Параметры», выберите режим «Параметры ввода» и введите нужные значения. Чтобы их сохранить как предустановку, откройте меню, выберите «Сохранить как новую предустановку» и введите ее имя.

После сохранения размера для выбранного типа пленки настройку можно применить одновременно ко всем сканам. Для этого используйте команду «Изменить предустановку параметров ввода» в контекстном меню отмеченных клипов на стр. «Цвет» или «Мультимедиа». Подробнее об изменении параметров см. главу "Sizing and Image Stabilization" руководства по DaVinci Resolve.

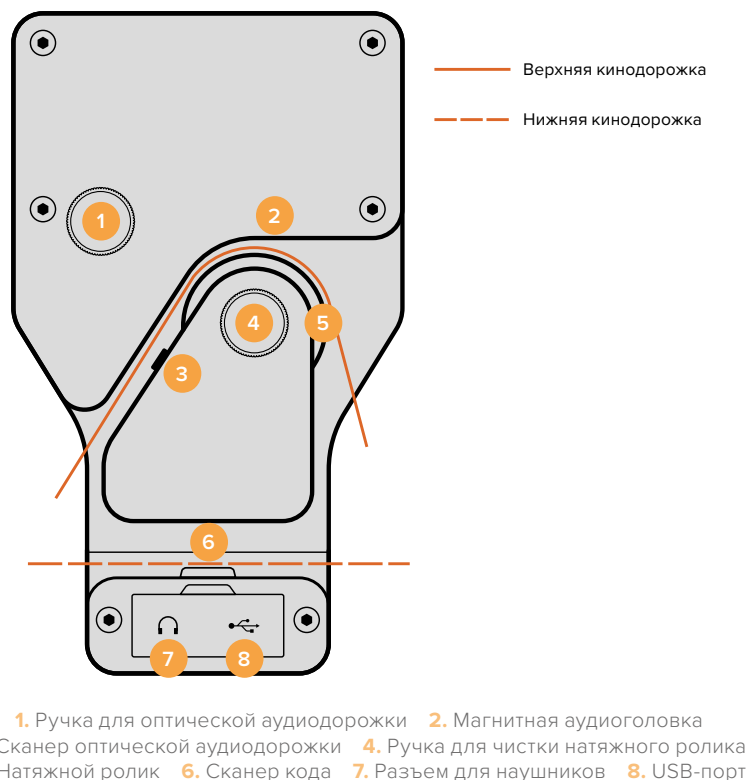


Создание предустановки настроек на панели «Параметры» на стр. «Цвет»

Audio and KeyCode Reader (опция)

Дополнительное устройство Audio and KeyCode Reader позволяет расширить возможности сканера Cintel. Оно предназначено для считывания оптической и магнитной аудиодорожек 35-мм или 16-мм пленки. Их можно записывать на разных скоростях: от медленной до более быстрой, чем в реальном времени. Также решение позволяет получать данные о положении кадра в томе и об используемой пленке.

Ниже показаны элементы устройства.



При размещении пленки в верхней части устройства можно считывать звук с оптической и магнитной дорожек.

При размещении пленки в нижней части устройства можно считывать служебную информацию. В некоторых случаях кодовые данные наносятся на негативы возле перфорации. Обычно они содержат информацию о положении кадра в томе, о типе пленки и другие сведения, которые облегчают идентификацию материала. После сканирования информация сохраняется в каждом кадре Raw как метаданные.

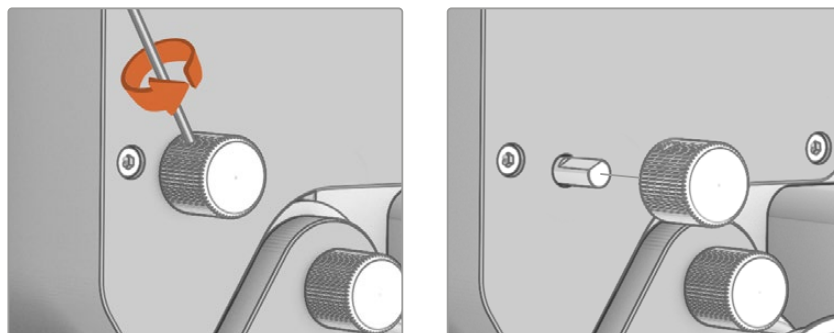
СОВЕТ. Сканер Cintel может считывать информацию со звуковой дорожки без установки Audio and KeyCode Reader. Для этого по окончании сканирования пленки используйте функцию «Извлечь звук» на панели DaVinci Resolve. Подробнее см. раздел «Извлечение звука».

Установка устройства Audio and KeyCode Reader

Ниже подающей бобины сканера расположен 6-контактный XLR-разъем, который используется для подачи питания на дополнительное устройство.

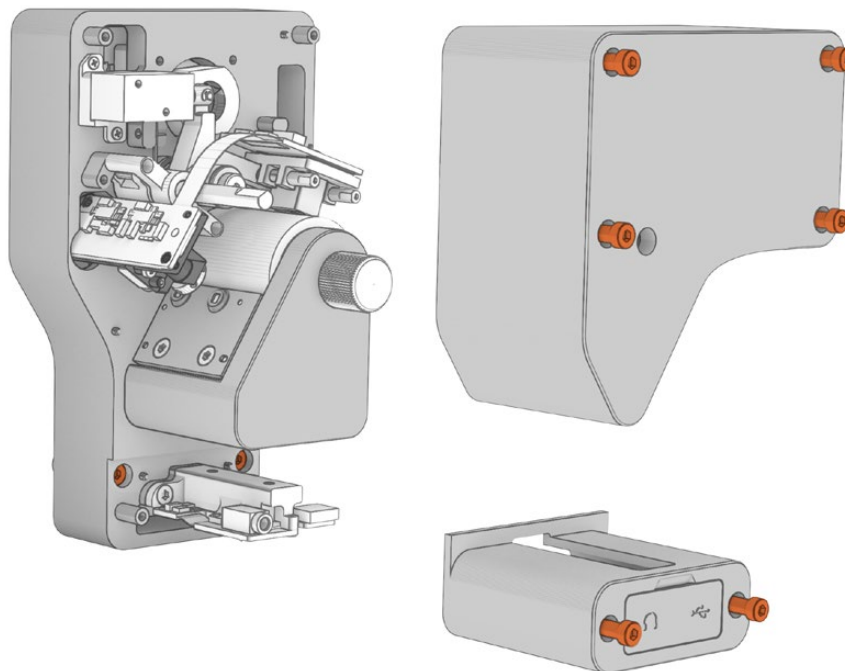
Порядок установки устройства на сканер Cintel

- 1 Убедитесь, что отключена подача электроэнергии на сканер.
- 2 На верхней ручке настройки есть небольшой фиксирующий винт, который утоплен внутрь. Ослабьте его с помощью шестигранного ключа 1,5 мм и снимите ручку с вала. Удалите верхнюю крышку устройства.



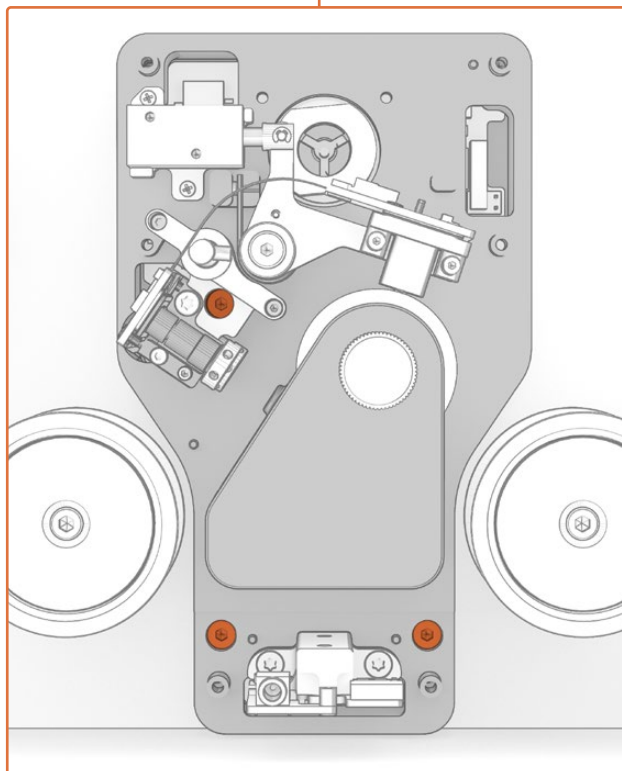
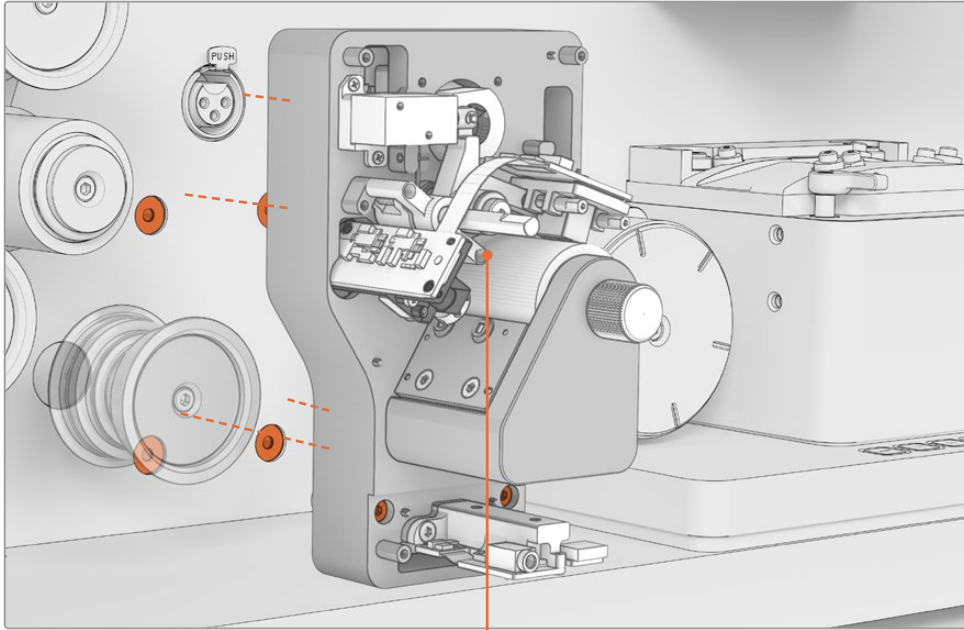
С помощью шестигранного ключа 1,5 мм ослабьте фиксирующий винт, а затем снимите ручку с вала

- 3 С помощью шестигранного ключа 2,5 мм открутите шесть винтов М3 и снимите верхнюю и нижнюю крышки. Под ними находятся несъемные винты для крепления устройства к сканеру.



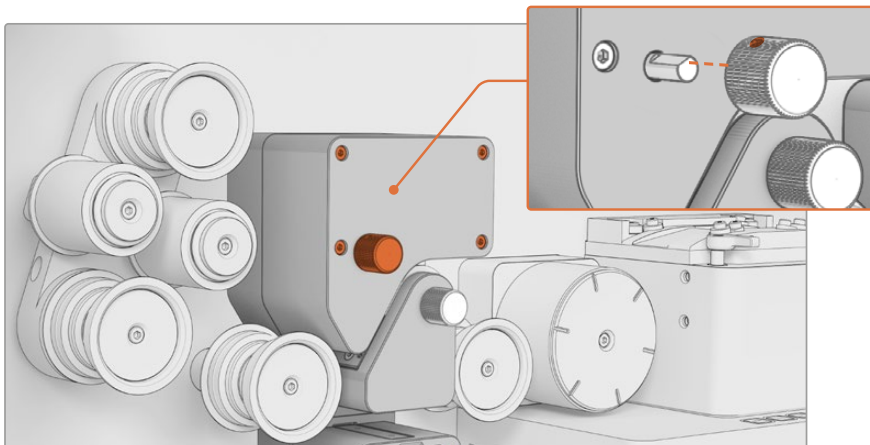
Открутите шесть винтов М3 и снимите верхнюю и нижнюю крышки. Эти винты несъемные, поэтому для удаления крышки их достаточно слегка ослабить.

- 4 Используя шестигранный ключ 2 мм, открутите четыре заглушки M4. Точное местоположение заглушек см. на рис. ниже.
- 5 Соедините XLR-разъем устройства с аналогичным интерфейсом сканера.
- 6 Закрепите устройство равномерно с помощью трех несъемных винтов M3.



Соедините устройство с левым XLR-интерфейсом и с помощью трех несъемных винтов M3 зафиксируйте его

- 7 Верните на место крышки и закрепите их соответствующими винтами. Установите обратно верхнюю ручку настройки и слегка подтяните ее к валу с помощью фиксирующего винта.



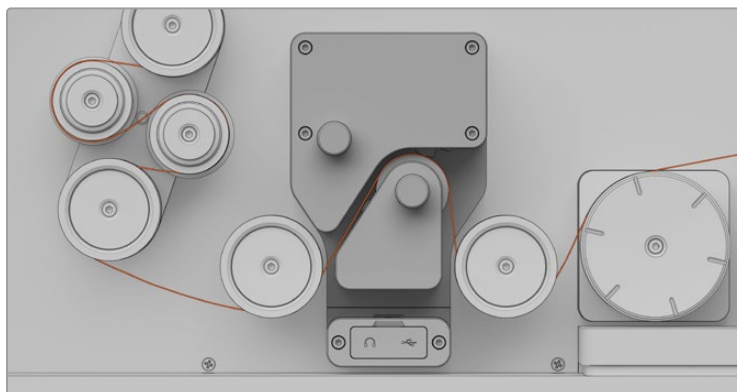
Установите на место крышки и закрепите их шестью винтами М3, затем установите ручку настройки и затяните фиксирующий винт

Считывание звука

Устройство Audio and KeyCode Reader позволяет сканировать оптическую дорожку с 35-мм и 16-мм пленки, а магнитную информацию можно считывать только с 16-мм носителя.

Заправка пленки

Для записи звука в режиме реального времени пропустите пленку через специальный канал в устройстве. Правильное положение показано на рис. ниже.



Для считывания звука пропустите пленку через канал в верхней части устройства

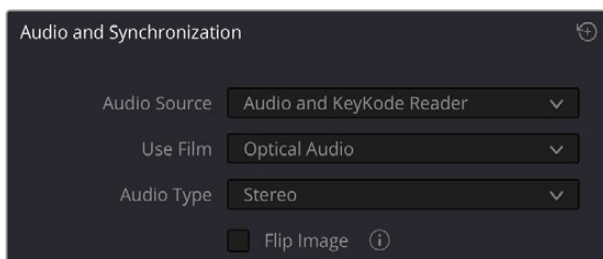
ПРИМЕЧАНИЕ. При считывании оптического аудио обращайтесь особое внимание на положение источника подсветки, который при работе с 35-мм пленкой находится ближе к корпусу сканера, чем при использовании 16-мм носителя.

СОВЕТ. При проходе пленки через верхний канал устройства приложение DaVinci Resolve автоматически записывает звук и добавляет его к клипу. Во время использования нижнего канала аудиосигнал не сохраняется.

Настройка для считывания звука

После размещения пленки откройте панель «Сканер пленки» в приложении DaVinci Resolve, затем выберите настройки в меню «На пленке считывать» и «Тип звука». Они меняются в зависимости от опции, указанной в меню «Источник звука».

Здесь можно задать определенную функцию (например, считывание кодовой информации) или выбрать тип записи (оптический или магнитный).



Настройка «На пленке считывать» в разделе Audio and KeyCode Reader на панели «Сканер пленки» позволяет выбрать тип сканирования — считывание футажного кода или звука

СОВЕТ. В зависимости от типа пленки возможные разные опции. Магнитный звук доступен при выборе 16-мм носителя на панели DaVinci Resolve.

Источник звука

Позволяет выбирать источник звука, используемый при сканировании изображения.

Нет

Звуковая дорожка отсутствует. В этом случае будет невозможно выбрать опции в меню «На пленке считывать» и «Тип звука».

Audio and KeyCode Reader

Считывание с пленки оптической или магнитной звуковой дорожки с помощью устройства Audio and KeyCode Reader.

Звук из внешнего источника

Эта опция позволяет принимать аналоговый звук или цифровой аудиосигнал стандарта AES/EBU через порты XLR.

На пленке считывать

Настройка позволяет указать тип работы — считывание звука или кодовой информации. Подробнее о считывании футажных данных см. раздел «Считывание футажного кода».

Есть несколько вариантов настройки для считывания звука.

Оптический звук

Сканирование оптической звуковой дорожки.

Тип дорожки можно определить визуально. Если при сканировании 35-мм или 16-мм пленки форма сигнала имеет непрерывные или длинные и плотные полосы внизу одной из сторон, это оптическая дорожка.

Узкая дорожка оптического звука

Усадка пленки и неравномерная печать, которые заметны при работе с оптическим звуком, могут приводить к тому, что в зону сканирования попадает не только звуковая дорожка, но и перфорация или изображение. Это вызывает искажение аудиосигнала. Для устранения подобной проблемы используйте ручку настройки. Если помехи сохраняются, для настройки «На пленке считывать» выберите опцию «Узкая дорожка оптического звука». Это сократит зону сканирования примерно на 20%, что улучшит качество работы за счет ограниченного захвата нежелательных секторов.

Подробнее о функции отслеживания см. раздел «Отслеживание» ниже.

Магнитный звук

При считывании магнитной полосы с 16-мм пленки для настройки «На пленке считывать» выберите опцию «Магнитный звук».

Черная полоса на эмульсионной стороне пленки с покрытием медного цвета указывает на наличие магнитной дорожки.

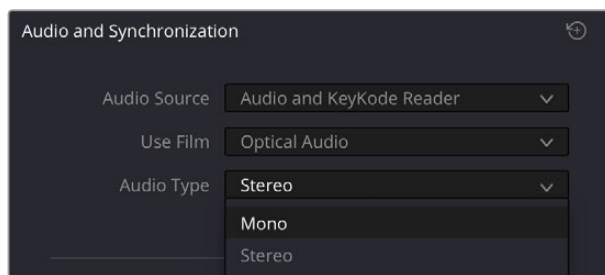
ПРИМЕЧАНИЕ. При сканировании магнитной звуковой дорожки для оптимальной стабилизации звука рекомендуется выбрать скорость сканирования на уровне 24 кадра/с. Считывание с другой скоростью может потребовать корректировки при постобработке.

Тип звука

После того как выбрана нужная опция для настройки «На пленке считывать», укажите тип звука в соответствующем меню.

Сtereo или моно

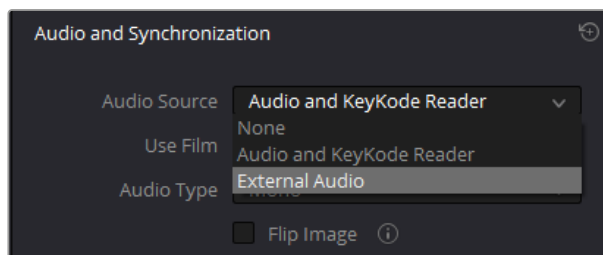
Его можно определить визуально. При выводе двух форм сигнала пленка имеет стереодорожку. Если есть только одна форма сигнала или выводятся звуковые полосы различной плотности, на пленке монофоническая дорожка. Магнитный звук всегда монофонический.



Выберите тип аудиосигнала: «Моно» или «Сtereo»

Звук из внешнего источника

Выберите соответствующий тип аудиосигнала в меню «Тип звука».



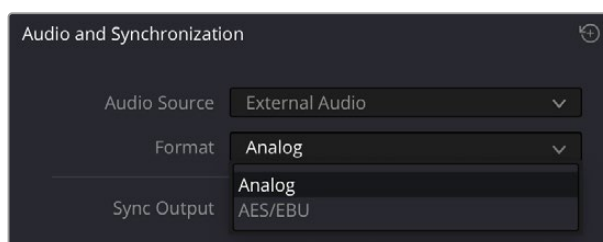
При выборе данной опции входы XLR, расположенные на боковой панели сканера, позволяют подключать источники аналогового звука или цифрового аудиосигнала стандарта AES/EBU. В меню «Формат» доступны приведенные ниже опции.

Аналоговый

Данную настройку выбирают при использовании балансного аналогового звука.

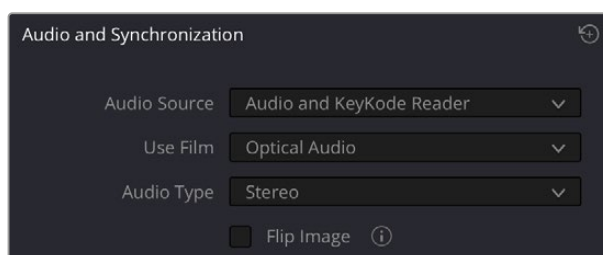
AES/EBU

Эту опцию применяют при работе с аудиосигналом стандарта AES/EBU, также называемого AES3.



Перевернуть изображение

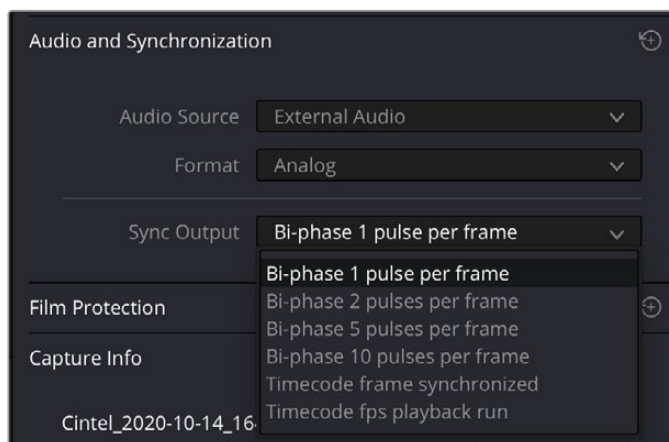
При сканировании звука с негативной пленки поставьте флажок для опции «Перевернуть изображение».



Опция «Перевернуть изображение» позволяет получить кадры в зеркальном виде

Синхровыход

Если при подключении сканера к внешнему оборудованию через боковой порт XLR требуется синхронизация, используйте меню «Синхровыход» для выбора соответствующего стандарта.



Опции двухтактной синхронизации и использования тайм-кода в меню «Синхровыход»

В режиме двухтактной синхронизации используются два несимметричных квадратурных сигнала на стандартной дифференциальной аудиопаре XLR3, поэтому направление и частоту можно определять с заданной периодичностью. При настройке «Синхронизировано по кадрам в тайм-коде» выводится значение отдельного тайм-кода на передаваемый кадр. Во время выбора опции «Синхронизировано по частоте воспроизв.» выводятся значения тайм-кодов с установленной периодичностью в зависимости от кадровой частоты проекта. Напряжение устанавливается автоматически (4,5 В в режиме двухтактной синхронизации или 1,5 В для двух других).

ПРИМЕЧАНИЕ. Вывод тайм-кода поддерживается только для кадровых частот 24, 25 и 30 fps. Они могут быть как независимыми, так и привязанными к настройкам проекта.

Скорость считывания

После того как устройство установлено и проведена настройка, максимальная скорость считывания составит 125% от кадровой частоты пленки. Например, при сканировании носителя с частотой 24 кадра/с предельная скорость считывания будет равна 30 кадров/с (частота дискретизации 48 кГц).

Отслеживание

Положение оптических звуковых дорожек на разных пленках может различаться, поэтому важно проверить точность сканирования. Для максимально качественного результата есть функция отслеживания, которая позволяет проводить тонкую настройку оптической головки.

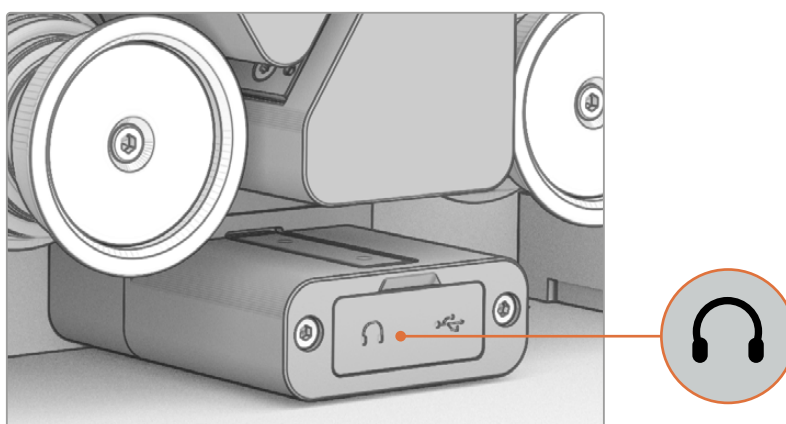
Порядок работы с функцией отслеживания

- 1 Подключите наушники или тестер аудиосигнала к соответствующему разъему 3,5 мм. Для доступа к нему откройте резиновую защитную крышку.
- 2 Затем с помощью элементов контроля воспроизведением перейдите к необходимому месту на пленке.

- 3 При прослушивании или проверке звука поворачивайте ручку в верхней части устройства по часовой или против часовой стрелки. При этом сканирующая головка будет приближаться к краю пленки или удаляться от него, что позволяет более точно задать ее положение по отношению к дорожке. Громкость звука и его чистота будут также меняться. Тестер аудиосигнала действует по тому же принципу, но с еще большей точностью.

При работе со стереодорожками проводите настройку до тех пор, пока оба канала не будут иметь одинаковые параметры звука без помех.

При настройке отслеживания монофонического звука рекомендуется задать стереофонический тип сигнала, выбрав «Стерео». Это позволяет использовать как левый, так и правый каналы для расположения дорожки по центру и гарантирует ее сканирование с самым высоким качеством. После отслеживания не забудьте переключить тип звука обратно на монофонический.

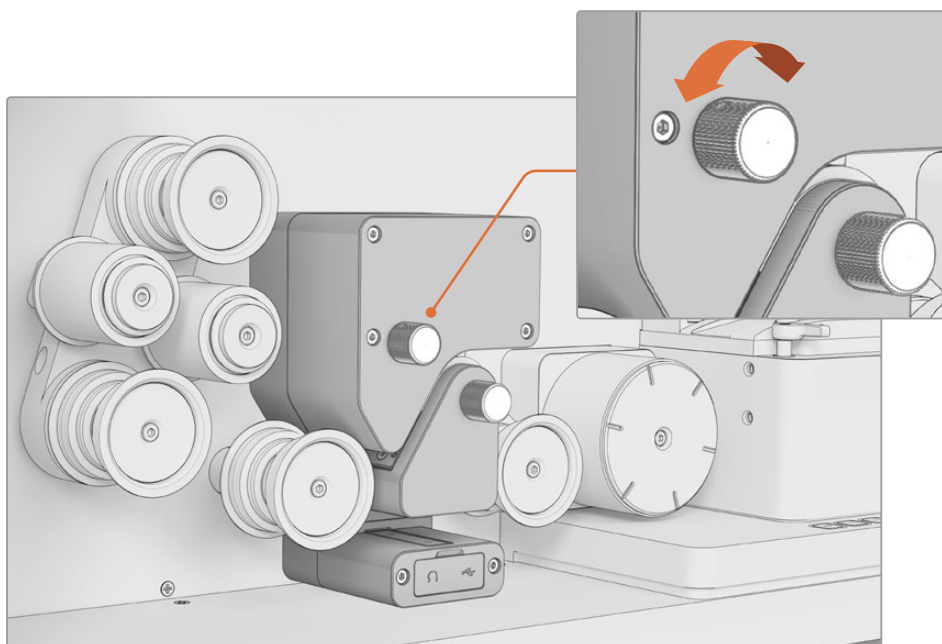


Разъем для наушников находится в нижней части устройства и закрыт резиновой защитной крышкой

Вывод звука через HDMI-интерфейс и разъем для наушников

Аудиодорожки наносятся с опережением на несколько кадров относительно видео, поэтому сканер Cintel автоматически задерживает звуковой сигнал для его синхронизации с изображением при выводе через HDMI-разъем.

Разъем для наушников позволяет выводить звук напрямую с дорожки в режиме обычного воспроизведения и без синхронизации с видео. Это означает, что при настройке отслеживания задержка будет сразу же заметна.



Чтобы улучшить качество оптического аудиосигнала, поверните ручку для настройки положения звуковой головки

Если при считывании оптического аудио валик с пленкой не прокручивается, понизится яркость источника освещения. При этом будет проверено состояние сканера, и в случае его перехода в режим ожидания в устройстве также включится данный режим.

Отслеживание с помощью опции «Магнитный звук»

Магнитная аудиоголовка поставляется готовой к работе и не нуждается в дополнительной настройке. Природа магнитного звука такова, что незначительное наложение не приводит к искажениям, поскольку в этих зонах нет никаких данных. Также при нанесении магнитных дорожек есть меньше возможностей для их смещения. Чтобы компенсировать любые отклонения, размеры магнитной головки превышают необходимый размер.

Улучшенное отслеживание

Есть следующие дополнительные настройки отслеживания:

- расположение и трекинг магнитного звука;
- расположение оптического звука;
- фокусировка оптического звука.

Большинству пользователей эти настройки не пригодятся. Для информации об улучшенном отслеживании перейдите в Центр поддержки Blackmagic на странице www.blackmagicdesign.com/ru/support.

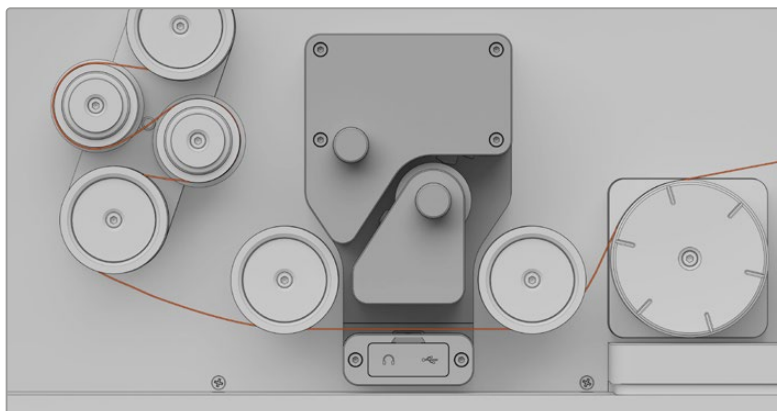
Начало работы

После того как задан тип аудиосигнала и настроена функция отслеживания, можно приступить к работе. Подробнее см. раздел «Сканирование одного или нескольких участков пленки».

Обратите внимание, что приложение DaVinci Resolve не сохраняет файлы, пока не получит информацию со сканера о синхронизации аудио и видео. Служебная информация по аудиосигналу наносится на пленку с опережением в несколько кадров от видео, поэтому при работе сканера происходит секундная задержка между скоростью считывания и вывода на экран.

Считывание кодов

При считывании кодов пленка располагается на валиках дополнительного устройства так же, как при стандартном сканировании. Правильное положение показано на рис. ниже.

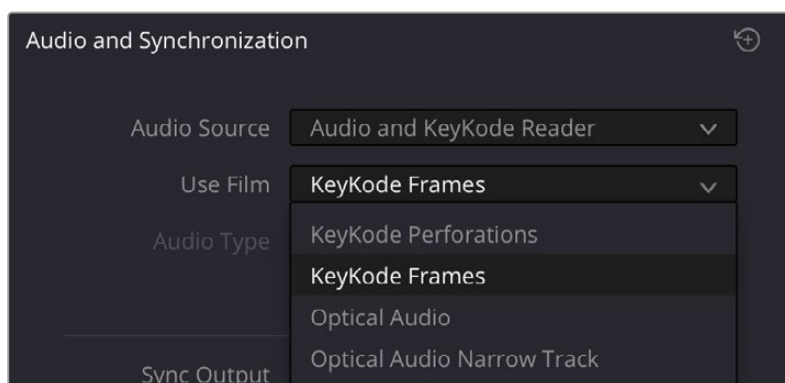


Положение пленки в нижней части устройства при считывании кодов

ПРИМЕЧАНИЕ. При считывании кодов убедитесь, что кодовая зона на пленке располагается точно над источником освещения.

Настройка считывателя для сканирования футажного кода

Заправьте пленку в считыватель и натяните ее. Теперь нужно настроить сканер Cintel для считывания футажного кода. Перейдите в приложение DaVinci Resolve и откройте панель сканера пленки. В меню «На панели считывать» выберите «Футаж по перфорациям» или «Футаж по кадрам». В экспортированном DPX-файле информация о футажном коде будет представлена соответственно числом перфораций или кадров.



Чтобы считать футажные данные на негативной пленке, в меню «На панели считывать» выберите «Футаж по перфорациям» или «Футаж по кадрам»

На пленке считывать

Настройка позволяет указать тип работы — считывание звука или кодовой информации. Подробнее о считывании звука см. «Настройка считывателя для сканирования звука».

Есть несколько вариантов настройки для считывания футажного кода.

Футаж по перфорациям

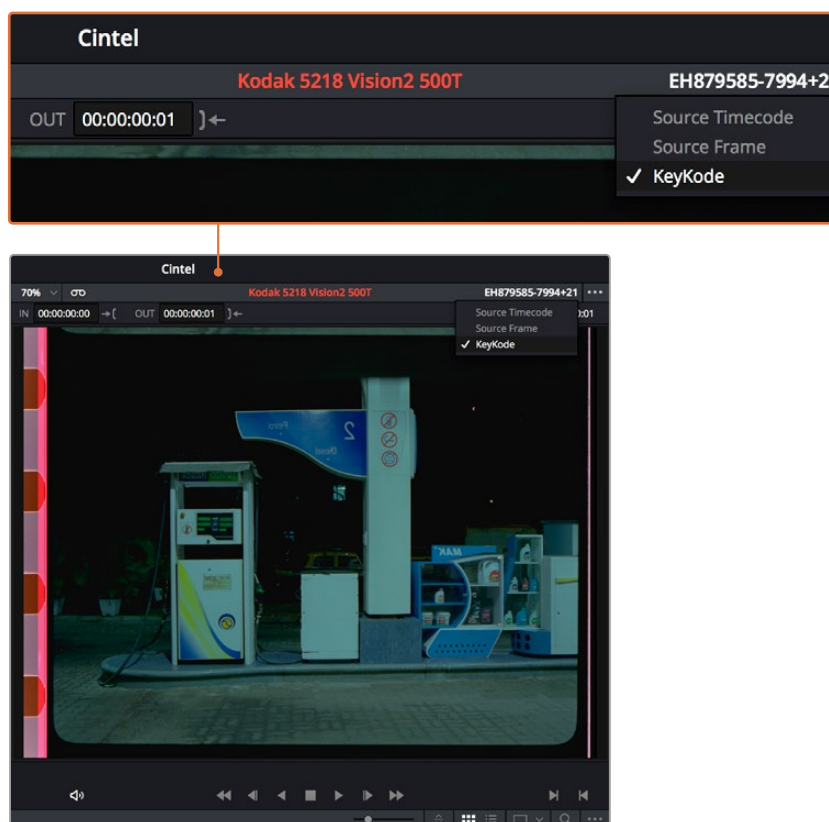
Выберите эту опцию для сохранения данных, основываясь на числе пройденных перфораций.

Футаж по кадрам

Выберите эту опцию для сохранения данных, основываясь на числе пройденных кадров.

Информация о футажном коде на пленке будет сохраняться в виде метаданных вместе с каждым клипом. Также она доступна в верхней части окна просмотра на панели DaVinci Resolve.

Чтобы увидеть считываемые данные, щелкните кнопкой мыши по значку опций в верхнем правом углу окна и в меню выберите «Футаж».



Чтобы увидеть данные кода, щелкните по значку опций просмотра в верхнем правом углу и в меню выберите «Футаж»

Информация о футажных кодах часто считывается для добавления в цифровой интернегатив DPX, но эти метаданные также доступны для использования на страницах «Монтаж» и «Цвет» приложения DaVinci Resolve. Подробнее см. следующий раздел.

Создание DPX-файлов с метаданными кодов

При необходимости в DaVinci Resolve сканы с метаданными кодов можно сохранять в виде DPX-файлов.

Порядок преобразования файлов в формат DPX

- 1 В верхней части экрана откройте меню «Файл» и выберите «Управление мультимедиа».
- 2 В появившемся окне выберите значок «Клипы» для сохранения всех клипов по отдельности и нажмите «Перекодировать».

- 3 Укажите место для сохранения файлов и нажмите «ОК».
- 4 Выберите опцию «Перекодировать все медиафайлы» для перевода в DPX всех материалов со временной шкалы.
- 5 В настройках «Видео» укажите формат DPX и выберите необходимый кодек.
- 6 Разрешение будет задано автоматически в соответствии с параметрами на временной шкале. При необходимости его можно изменить. Для настройки разрешения по источнику сигнала поставьте флажок в поле «Рендеринг с исходным разрешением».
- 7 В настройках «Аудио» укажите число аудиоканалов для включения в DPX-файлы либо выберите опцию «Как источник» для использования такого же количества, как в исходном клипе. Также укажите битовую глубину.

Значки DaVinci в нижней части окна показывают размер текущего файла и конечного DPX.

- 8 Нажмите «Начать».

Все клипы на временной шкале будут преобразованы в DPX-файлы со встроенными кодами. Подробнее о преобразовании файлов Cintel RAW в другие форматы см. раздел об управлении мультимедиа в руководстве по DaVinci Resolve.

Сканы в виде RAW-файлов можно преобразовать в DPX с сохранением встроенного кода. Для этого перейдите в DaVinci Resolve на стр. «Экспорт» и выберите экспорт материала. Убедитесь, что в настройках «Рендеринг» используется опция «Отдельных клипов» для индивидуального экспорта файлов.

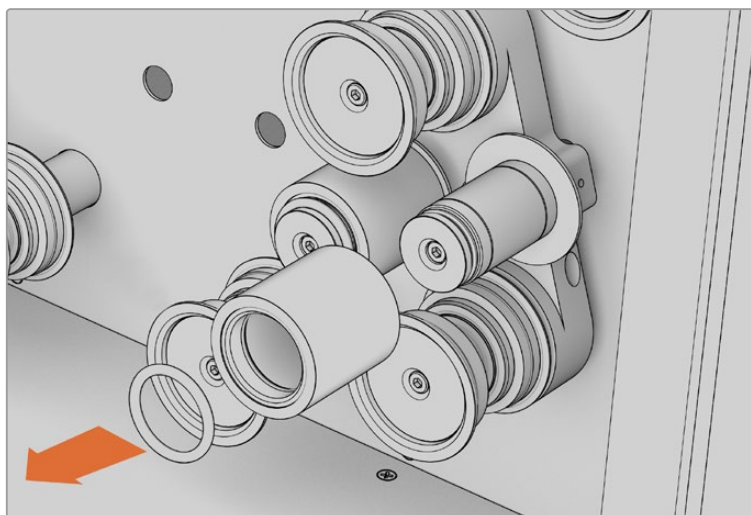
Обслуживание

Чтобы обеспечить высокое качество оцифровки, важно содержать сканер в чистоте и порядке. Проводите регулярную очистку передаточных валиков и используйте пневматический очиститель для обработки поверхностей, соприкасающихся с пленкой, в том числе резиновых частей, ведущих шкивов и пластины для пленки.

Чистка передаточных валиков

Чистку передаточных валиков необходимо проводить после каждого прогона пленки. Для этого снимите кольцевую прокладку с края стержня и извлеките валик, потянув его на себя. Обработайте валик теплой водой с мылом или средством для мытья посуды, после чего просушите его. Не рекомендуется протирать валик полотенцем или обдувать воздухом для ускорения просушки, так как при этом на него попадет мелкий мусор, а дополнительный нагрев может привести к деформации. Сухой валик установите обратно на стержень и наденьте кольцевую прокладку.

Если валик снимается с трудом, нанесите тонкий слой силиконовой смазки на внутреннюю поверхность кольцевой прокладки. Это облегчит манипуляции с валиком для его чистки.



Чтобы очистить валик, снимите кольцевую прокладку с края стержня и извлеките валик

Если используемые валики утратили липкость даже после чистки либо они с трудом снимаются из-за длительного использования или износа, рекомендуется приобрести новые. Их можно заказать на веб-сайте Blackmagic Design (www.blackmagicdesign.com).

Чистка гладких шкивов

Чистите гладкие шкивы регулярно, желательно перед сканированием каждой новой пленки, и давайте им просохнуть.

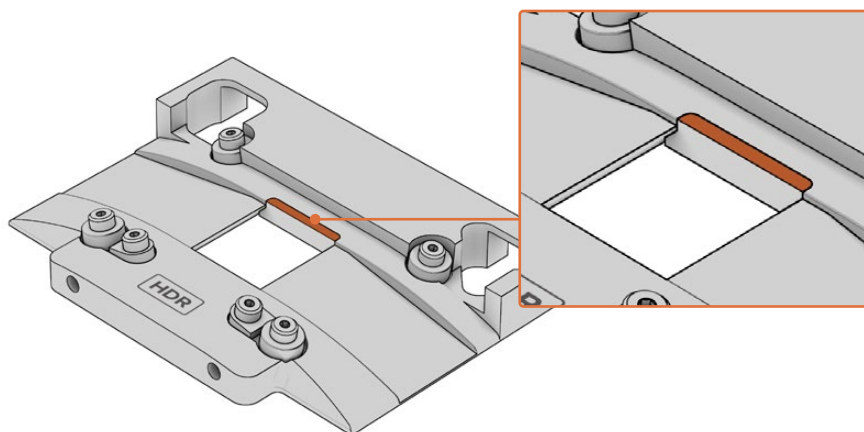
ПРИМЕЧАНИЕ. Будьте осторожны, не допускайте попадания жидкости на электронные компоненты. Используйте только безворсовую ткань, слегка смоченную водой. Для чистки гладких шкивов не применяйте растворители или аэрозоли.

Удаление пыли

Пыль со сканера необходимо удалять ежедневно. Для обработки фильмового канала, ведущих шкивов и других поверхностей, соприкасающихся с пленкой, можно использовать пневматический очиститель. Фильмовый канал рекомендуется при этом снимать.

При чистке обращайте особое внимание на небольшие пластиковые вставки на фильмовом канале для пленки. Остатки пыли в этих местах могут вызывать нарушения балансировки. Протирайте их мягкой ветошью.

При работе с дополнительным 8-мм фильмовым каналом используйте пневматический очиститель или безворсовую ткань для поверхностей подшипников и створок апертуры. Кроме того, гнезда подшипников также требуют периодической очистки во избежание скопления пыли.



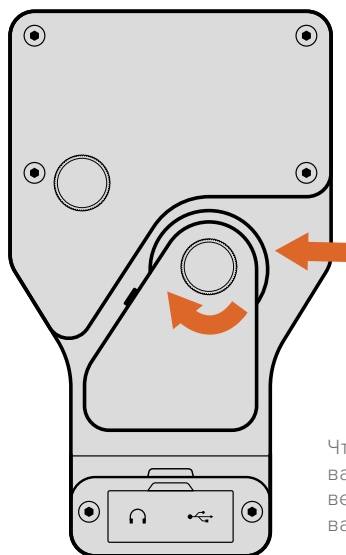
При чистке обращайте особое внимание на вставки

Периодически следует также проводить чистку оптики над источником подсветки сканера. Это можно сделать с помощью чистой ткани с нанесением небольшого количества изопропилового спирта.

Пневматический очиститель и изопропиловый спирт можно приобрести в любом магазине электроники.

Чистка валика на устройстве Audio and KeyCode Reader

В верхней части устройства есть резиновый валик для пленки. Периодически его необходимо протирать от пыли мягкой ветошью. Для этого снимите пленку, прижмите ветошь к валику и проворачивайте его с помощью ручки.

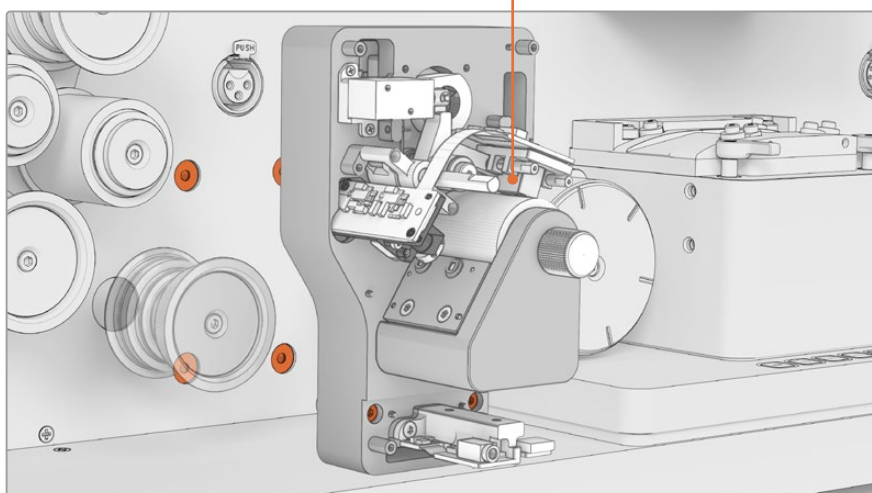
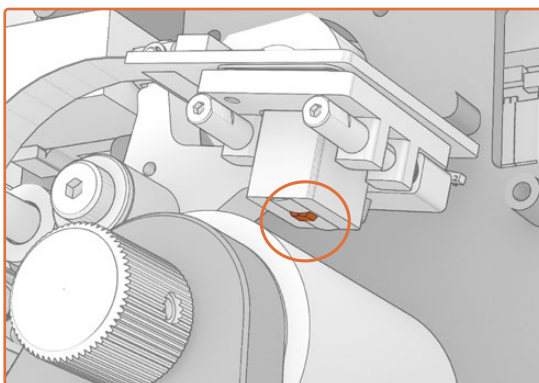


Чтобы очистить пленочный валик от пыли, прижмите ветошь к нему и проверните валик с помощью ручки

Для чистки валиков и магнитной головки устройства рекомендуется использовать только воду, избегая применения химикатов с содержанием ксилена или спирта.

Чистка магнитной головки на устройстве Audio and KeyCode Reader

Иногда может потребоваться чистка магнитной головки устройства. Для этого с помощью шестигранного ключа 2,5 мм открутите четыре винта М3 с верхней крышки и снимите ее с устройства.



Для доступа к магнитной головке снимите верхнюю крышку устройства

Получив доступ к магнитной головке, опустите ее Q-образный элемент в воду и смойте грязь, затем аккуратно почистите поверхность, чтобы удалить оставшийся мусор. Перед установкой крышки оставьте головку сушиться на несколько минут.

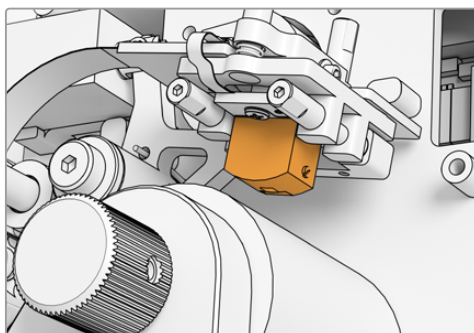
Магнитная головка поставляется уже размагниченной и не требует выполнения этой операции при работе с новым устройством.

Запасные части для Cintel Scanner

Запасные части для сканера можно приобрести через местное представительство Blackmagic Design. Техническое обслуживание Cintel Scanner не требует специальных навыков, но при необходимости у дилера можно запросить соответствующую документацию.

Замена магнитной головки

Когда магнитная лента пленки проходит через головку на устройстве Cintel Audio and KeyCode Reader, ее поверхность медленно шлифуется, соответствующий зазор изнашивается, а качество звука ухудшается. Рекомендуется выполнять замену магнитной головки каждые 2–3 года в зависимости от интенсивности использования.



ПРИМЕЧАНИЕ. Есть две версии магнитной головки для сканера Cintel.

Магнитная головка версии 1

Недоступна в продаже и установлена на более старых моделях считывателя Audio and KeyCode Reader с серийным номером до 6943522.

Магнитная головка версии 2

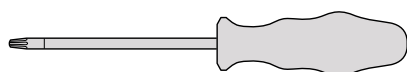
Текущая версия, которую устанавливают на моделях считывателя Audio and KeyCode Reader начиная с серийного номера 6943522.

Если на устройстве Audio and KeyCode Reader уже установлена магнитная головка версии 2, для ее замены можно выполнить процедуру, описанную в данном разделе руководства.

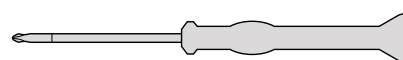
При работе с версией 1 необходимо сначала обновить ее до версии 2. Этот процесс отличается сложностью, а также требует дополнительных деталей и высоких технических навыков. Подробнее см. соответствующую инструкцию. Кроме того, в случае необходимости можно обратиться за помощью к специалистам отдела продаж компании Blackmagic Design. Чтобы загрузить документ о процедуре замены или обратиться в службу технической поддержки, перейдите на страницу www.blackmagicdesign.com/ru/support. После завершения операции процесс обслуживания головки будет таким же, как и для версии 2.

Необходимые инструменты

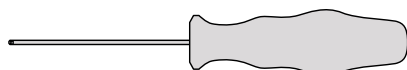
Список необходимых инструментов



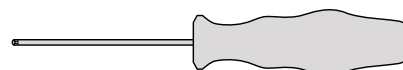
Отвертка T10



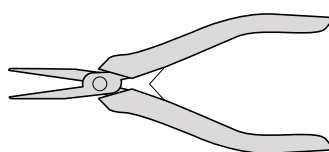
Отвертка PH00



Шестигранная отвертка 1,5 x 60



Шестигранная отвертка 2,5 мм



Щипцы или пассатижи небольшого размера

ПРИМЕЧАНИЕ. Для достижения оптимальной производительности убедитесь, что используются немагнитные инструменты. Это позволит избежать необходимости дальнейшего размагничивания головки.

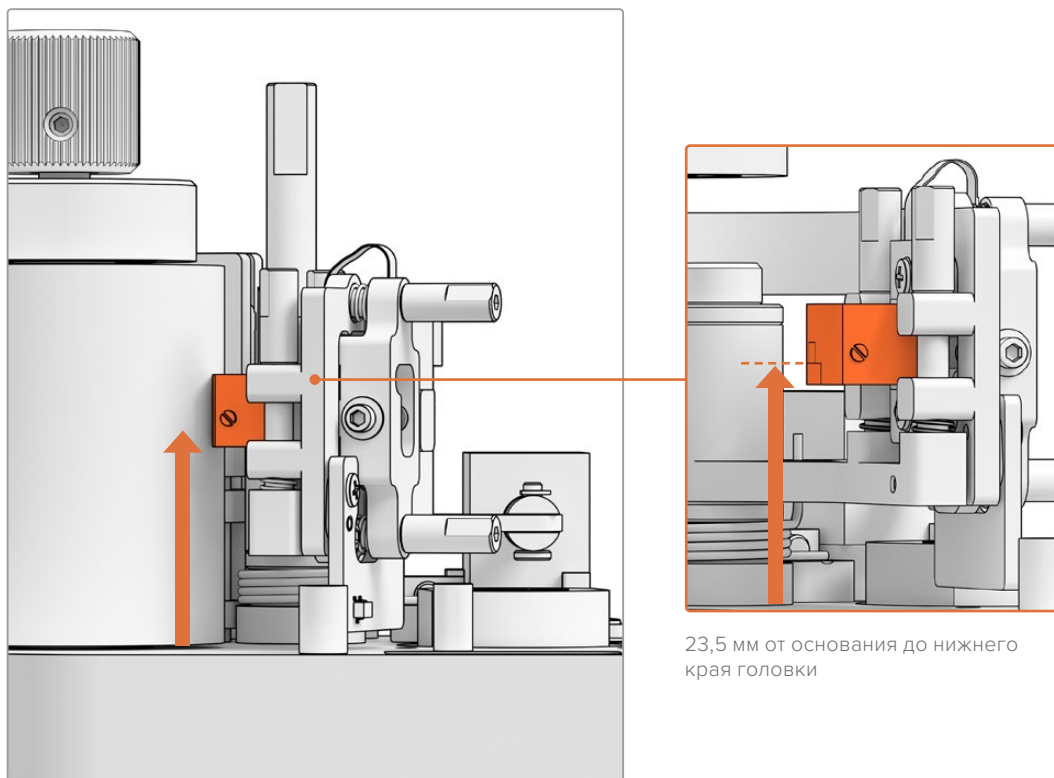
Процедура перед заменой головки

Чтобы обеспечить оптимальную работу устройства Audio and KeyCode Reader, для сравнения качества звука перед заменой головки рекомендуется записать опорную дорожку.

С этой целью рекомендуется использовать следующие типы пленки.

- Многочастотная магнитная тестовая пленка S16mm Bezugs BF16-10A DIN 15638 25 fps
- Пленка S16mm SepMag
- Ракорд S16mm (белый)
- S16mm ComOpt SMPTE P16MF (многочастотный эталон)
- S35mm ComOpt SMPTE P35MF (многочастотный эталон)
- Подходящая комбинированная магнитная пленка (ComMag)
- Подходящая комбинированная оптическая пленка (ComOpt)

Запомните первоначальное положение магнитной головки. Это необходимо для проверки согласования с дорожкой при обратной сборке решения после выполнения замены. Обязательно измерьте расстояние от основания устройства до края контактной поверхности магнитной головки. В идеале оно должно составлять примерно 23,5 мм.



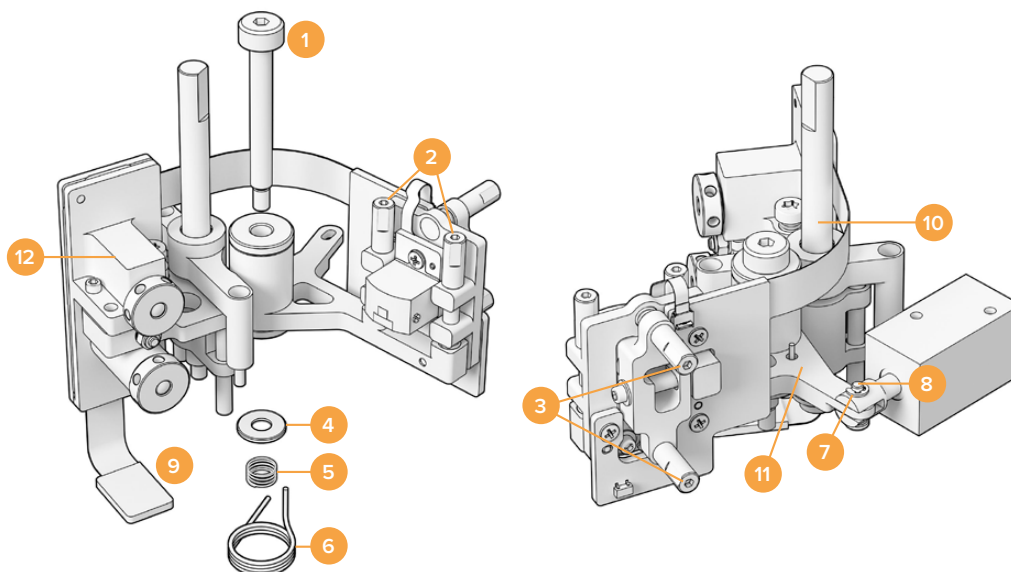
23,5 мм от основания до нижнего края головки

Высота от основания устройства до магнитной головки

После проверки согласования с дорожкой можно снять устройство со сканера. Подробнее об этом см. соответствующий раздел руководства.

Замена печатной платы магнитной головки

Прежде чем приступить к замене магнитной головки, используйте рисунок ниже, чтобы ознакомиться с ее отдельными деталями.

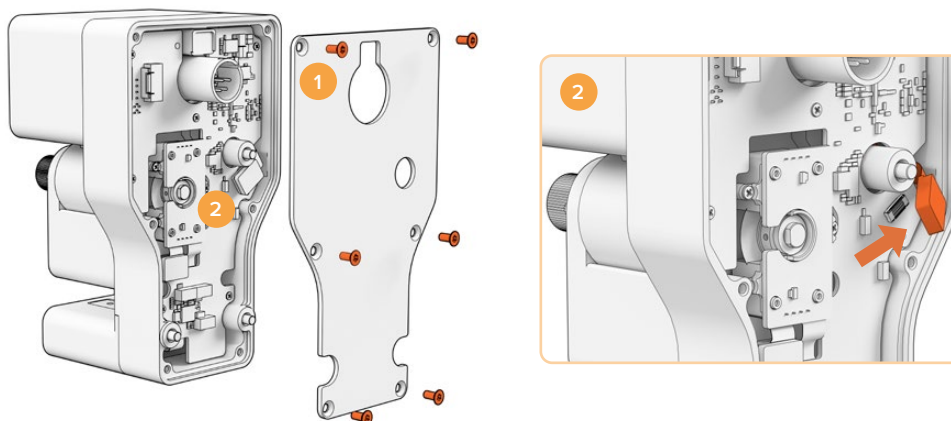


Сборочный узел рычага магнитной головки

- | | |
|--|--|
| 1 Винт с утолщенным стержнем М3 | 7 Е-зажим |
| 2 Винты А1 и А2 для перпендикулярной регулировки | 8 Штифт с головкой и отверстием |
| 3 Винты В1 и В2 для регулировки наклона | 9 Разъем печатной платы на рычаге аудиоблока |
| 4 Фиксатор спиральной пружины | 10 Крепление для регулировки высоты |
| 5 Пружина натяжения | 11 Рычаг магнитной головки |
| 6 Рычажная пружина магнитной головки | 12 Оптический блок |

После ознакомления с деталями устройства Audio and KeyCode Reader и подготовки всех необходимых инструментов можно приступить к процессу замены магнитной головки.

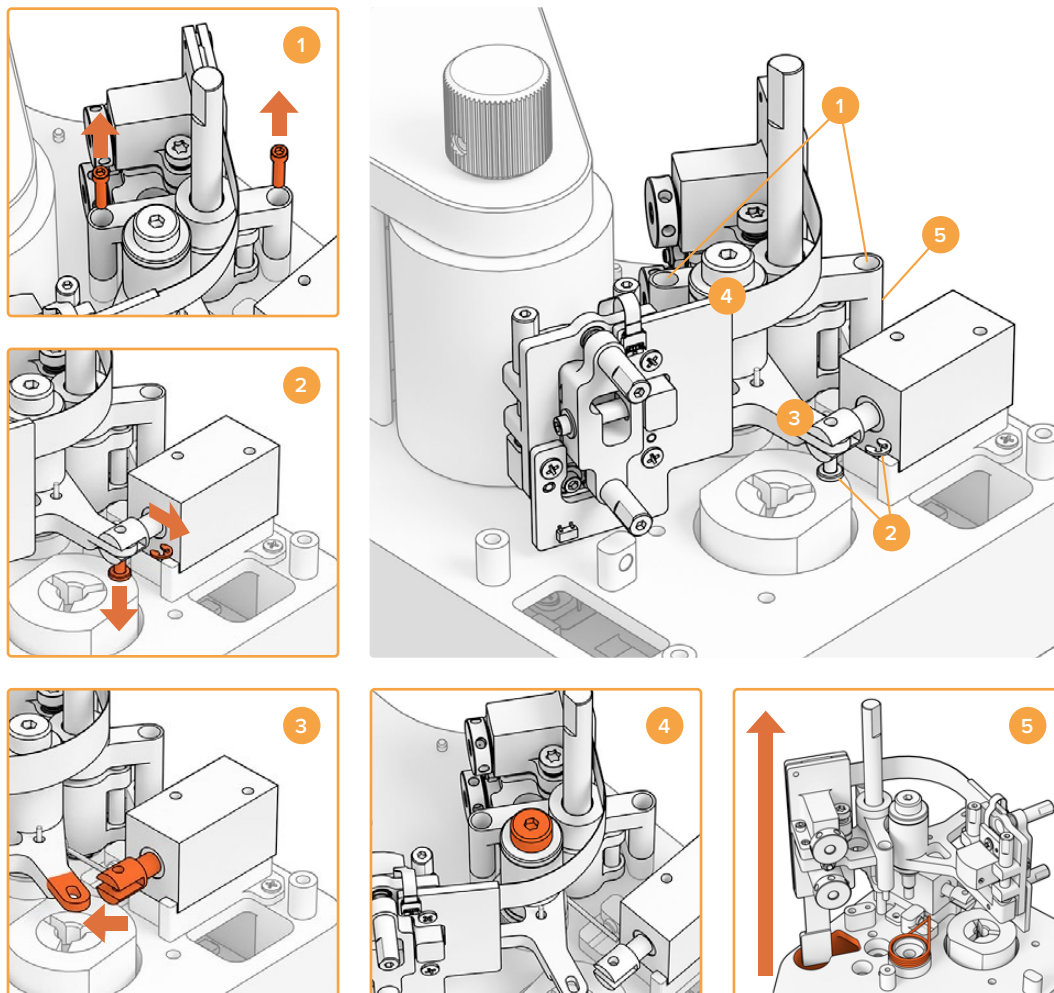
Снятие задней панели с устройства



1. Снятие задней панели 2. Отсоединение сборочного узла

- 1 Чтобы получить доступ к тыльной стороне главной печатной платы, нужно снять заднюю крышку. Для этого открутите шесть винтов M3 Torx с утопленной головкой, используя отвертку T10.
- 2 Поверните защелку с тыльной стороны считывателя, чтобы отсоединить сборочный узел от главной печатной платы.

Снятие сборочного узла



1. Демонтаж крепления для регулировки высоты
2. Соленоидный E-зажим и штифт с головкой и отверстием
3. Отсоединение рычага магнитной головки
4. Винт с утолщенным стержнем M3
5. Снятие сборочного узла

- 1 Осторожно положите считыватель на тыльную поверхность. Используя шестигранную отвертку 1,5 мм, открутите два винта M2 с головкой по обе стороны крепления для регулировки высоты.
- 2 Осторожно снимите E-зажим с помощью небольших щипцов или пассатижей. Это позволит извлечь штифт с головкой и отверстием, а затем — отсоединить рычаг от соленоида.

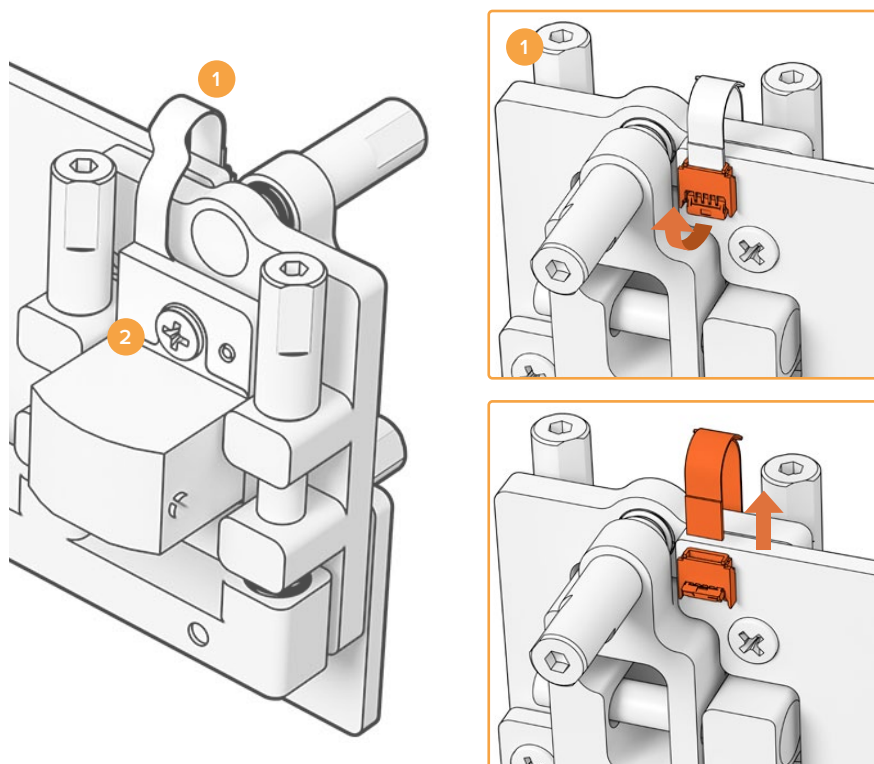
СОВЕТ. Для правильного извлечения штифта поверните рычаг аудиоблока, чтобы штифт мог двигаться между гайкой цанги и соленоидом. Гайка цанги находится на тыльной поверхности XLR-разъема, зажимающего кабель.

- 3 Потяните рычаг магнитной головки в сторону, чтобы сборочный узел вышел из соленоида.
- 4 Используя шестигранную отвертку 2,5 мм, открутите винт M3 с утолщенным стержнем.

- 5 Осторожно отсоедините сборочный узел от считывателя, убедившись в том, что разъем печатной платы на рычаге аудиоблока проходит через отверстие в главной печатной плате. На этом шаге может отойти рычажная пружина магнитной головки. Сохраните ее для последующей обратной установки.

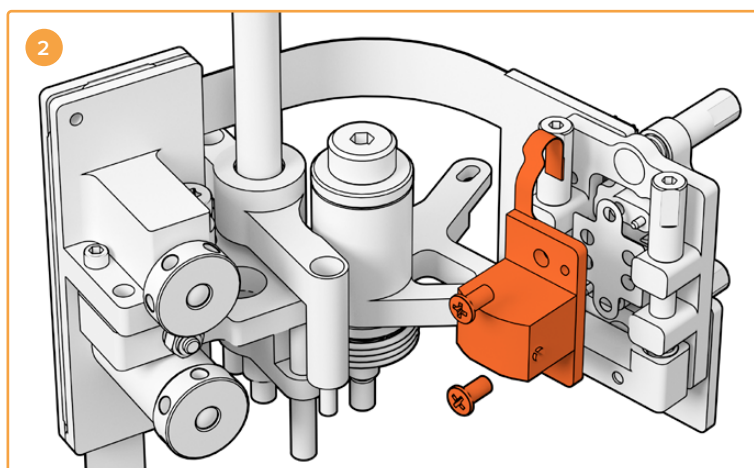
Снимите фиксатор спиральной пружины и пружину натяжения с имеющего утолщенный стержень винта, а затем извлеките рычажную пружину магнитной головки из монтажного гнезда.

Снятие магнитной головки



1. Защелка разъема печатной платы 2. Отсоединение магнитной головки

- 1 Откройте защелку разъема с тыльной стороны печатной платы на рычаге аудиоблока, чтобы высвободить гибкую печатную плату магнитной головки. Когда защелка разблокирована, извлеките гибкую печатную плату.

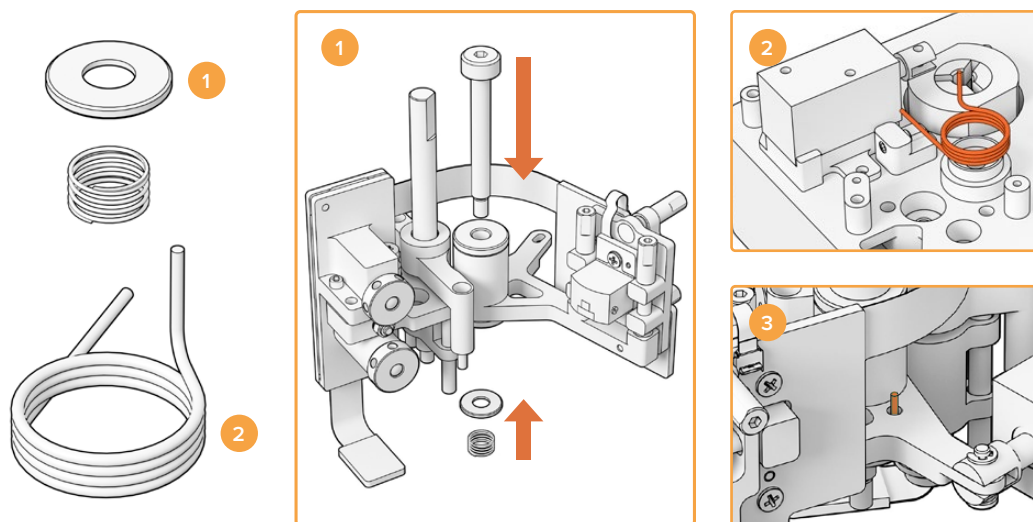


- 2 Используя отвертку PH00, открутите два винта M2 с плоской головкой, чтобы извлечь оригинальную печатную плату магнитной головки из установочного гнезда. Старую печатную плату можно утилизировать.

Чтобы установить новую магнитную головку, следуйте инструкциям по ее демонтажу в обратном порядке.

Монтаж сборочного узла

После того как выполнена замена магнитной головки, можно приступить к обратному монтажу сборочного узла и его установке на устройство Audio and KeyCode Reader.



1. Фиксатор спиральной пружины и пружина натяжения 2. Рычажная пружина магнитной головки
3. Поместите рычажную пружину магнитной головки в рычаг аудиоблока

- 1 Установите фиксатор спиральной пружины на винт М3 выемкой вниз. Поместите пружину натяжения на винт М3.
- 2 Установите рычажную пружину магнитной головки в монтажное гнездо.
- 3 Рычаг аудиоблока имеет небольшое отверстие под направленный вверх конец рычажной пружины магнитной головки. При установке сборочного узла поместите направленный вверх конец в это отверстие.
- 4 После монтажа пружин на сборочном узле и в монтажном гнезде блок можно установить на считыватель. Для этого выполните описанные выше действия в обратном порядке.

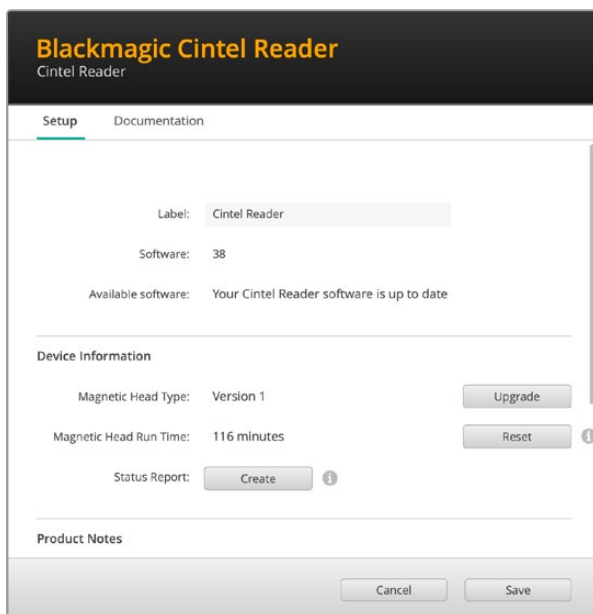
СОВЕТ. При установке сборочного узла на считыватель убедитесь в том, что разъем печатной платы на рычаге аудиоблока проходит через небольшое отверстие в главной печатной плате.

После завершения монтажа сборочного узла устройство Audio and KeyCode Reader можно вновь установить на Cintel Scanner. Подключите считыватель через порт XLR и закрепите его с помощью трех несъемных винтов М3.

На этом этапе не следует устанавливать передние крышки считывателя, чтобы иметь доступ к соответствующим компонентам при калибровке и тестировании.

Сброс рабочего времени магнитной головки

После замены магнитной головки на устройстве Audio and KeyCode Reader необходимо с помощью утилиты Cintel Setup сбросить счетчик рабочего времени.



В разделе Device Information щелкните кнопку Reset. Это позволит сбросить счетчик рабочего времени, чтобы начать мониторинг использования новой магнитной головки для определения срока следующей замены.

Кнопка Upgrade в утилите Cintel Setup предназначена только для перехода с первой на вторую аппаратную версию магнитной головки. Чтобы получить дополнительную информацию, свяжитесь со службой поддержки на странице www.blackmagicdesign.com/ru/support.

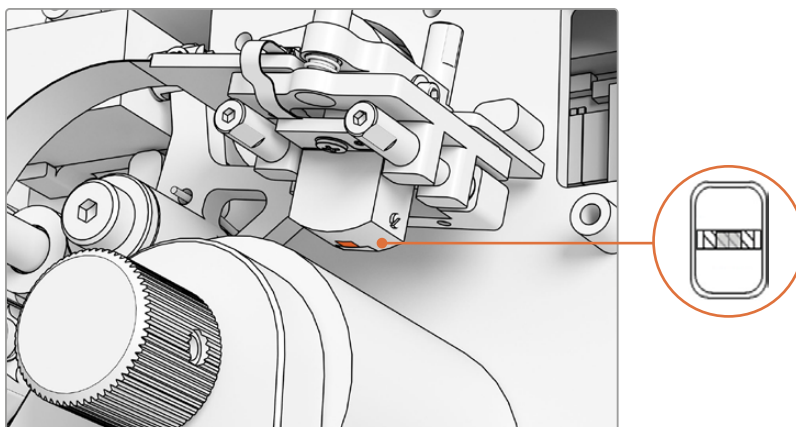
Регулировка положения головки

Правильное положение магнитной головки имеет принципиальное значение для минимизации ее неравномерного износа и качественной записи звука.

Чтобы получить приемлемые файлы с оптическим звуком и магнитной аудиодорожкой для сравнения с оригинальным материалом, можно использовать приложение DaVinci Resolve. При тестировании чувствительности новой магнитной головки рекомендуется использовать перечисленные ниже эталоны.

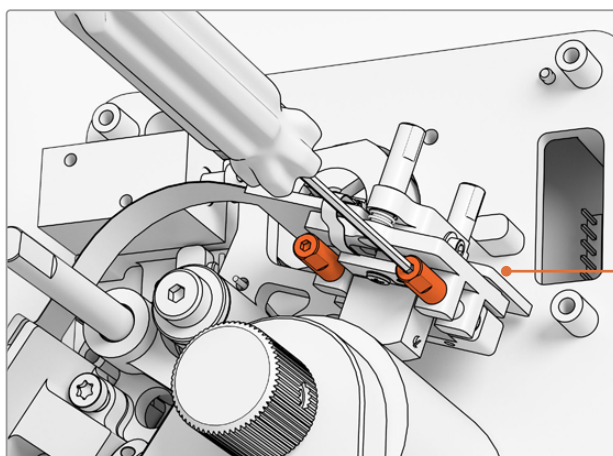
- Многочастотная магнитная тестовая пленка S16mm Bezugs BF16-10A DIN 15638 25fps
- Пленка S16mm SepMag
- Ракорд S16mm (белый)
- S16mm ComOpt SMPTE P16MF (многочастотный эталон)
- S35mm ComOpt SMPTE P35MF (многочастотный эталон)
- Подходящие комбинированные магнитные (ComMag) и оптические (ComOpt) пленки

Магнитная головка

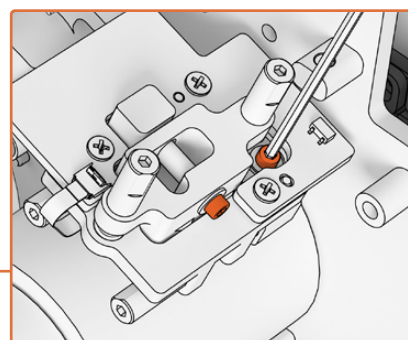


Магнитная головка внутри устройства Audio and KeyCode Reader

Положение и наклон магнитной головки регулируют с помощью ее позиционирования. Чтобы скорректировать азимут и согласование с дорожкой, используйте шестигранную отвертку 1,5 x 60 для регулировки винтов A1 и A2, а зенит и отклонение относительно вертикальной оси задают с помощью винтов B1 и B2.



Регулировка азимута магнитной головки путем поворота винтов A1 и A2 с помощью отвертки SW 1,5 мм



Чтобы снять давление с точки поворота при регулировке азимута и зенита, ослабьте соответствующие винты M.2 x 8 на верхней и боковой поверхностях печатной платы магнитной головки.

Проверка профиля износа

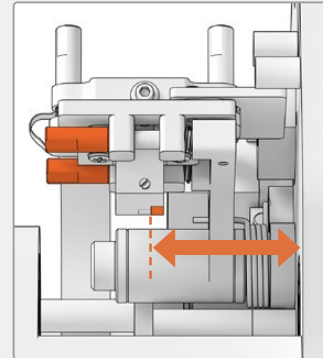
- 1 Пометьте фломастером рабочую поверхность магнитной головки.
- 2 Запустите лентопротяжный механизм с ракордом 16 мм строго на 3-5 секунд.
- 3 Проверьте профиль износа головки на равномерность с обеих сторон и при необходимости выполните корректировку. Если требуется несколько раундов, используйте фломастер еще раз.
- 4 После теста удалите избыток чернил с помощью спирта.



Правильное выравнивание обеспечивает сбалансированный профиль износа.

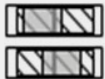
Согласование с дорожкой

Чтобы физически выровнять головку по 16-мм дорожке SerMag, используйте винты A1 и A2 для регулировки азимута. Расстояние между краем рабочей поверхности магнитной головки и основанием считывателя должно составлять приблизительно 23,5 мм. Все винты снабжены пружинами и обработаны смазкой, поэтому затяжка не требуется.

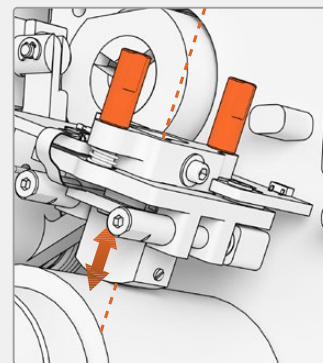


Высота

Чтобы отрегулировать высоту магнитной головки, равномерно поверните вертикальные винты В1 и В2. Проверьте ее положение относительно выравнивания по пленке. Это позволяет отцентрировать профиль износа по зазору в магнитной головке.



Некорректная высота способствует неравномерному профилю износа.

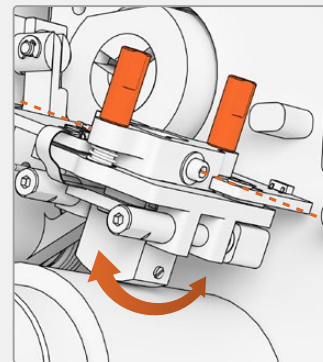


Зенит

Для регулировки зенита поверните по отдельности вертикальные винты В1 и В2. Проверьте наклон головки относительно выравнивания по пленке. Это позволяет обеспечить равномерный износ при контакте с зазором.



Некорректное значение зенита способствует неравномерному профилю износа.

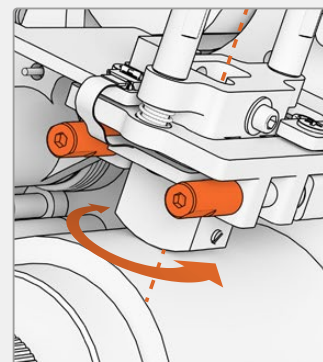


Азимут

Горизонтальные винты A1 и A2 для регулировки азимута задают перпендикулярное положение головки. С их помощью обеспечивают максимальную модуляцию сигнала и линейность фазы.



Некорректное значение азимута способствует неравномерному профилю износа и плохому реагированию по высоким частотам.



ПРИМЕЧАНИЕ. После того как настройка и работа новой магнитной головки дадут удовлетворительный результат, повторно зафиксируйте азимут и зенит поворотом винтов М.2 x 8.

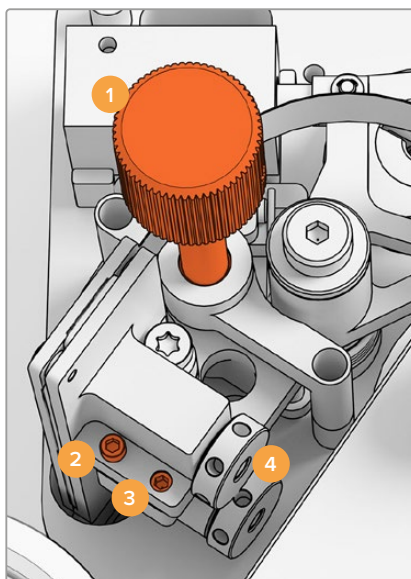
СОВЕТ. Используйте тональную тестовую пленку с максимально высокой частотой, предпочтительно 10 кГц. Зафиксируйте и просмотрите форму волны .wav и график FFT в приложении DaVinci Resolve с помощью частотного анализатора на странице Fairlight. Можно также обратиться к аналогичным инструментам третьих сторон при выводе сигнала через порт для наушников или аудиоустройство Desktop Video для сканера.



Пример трека с частотным анализом 3,15 кГц (детонация)

Регулировка положения оптического блока

Убедитесь в надлежащей работе оптического аудиоблока путем проверки положения его линз.



1. Ручка регулировки по дорожке
2. Винт М2 для регулировки азимута
3. Винт М3 для фиксации азимута
4. Линзы оптического звука

Высота по дорожке

Используйте ручку регулировки высоты по дорожке, чтобы выровнять линзы оптического звука с аудиотреками на 16-мм и 35-мм пленке. Убедитесь в том, что линзы охватывают каждый отдельный трек и не перекрывают другие. Чтобы оценить силу звука, подойдет пленка ComOpt. Зафиксируйте и просмотрите форму волны .wav и график FFT в приложении DaVinci Resolve с помощью частотного анализатора на странице Fairlight. Можно также обратиться к аналогичным инструментам третьих сторон при выводе сигнала через порт для наушников или аудиоустройство Desktop Video для сканера.

Азимут

Азимут оптического блока установлен производителем. Описанные ниже действия требуются только в тех редких случаях, когда этот параметр нужно отрегулировать.

- 1 Используя шестигранную отвертку 1,5 мм, разблокируйте винт M3, который фиксирует азимут.
- 2 Используя тестовую тональную пленку 35 мм с высокочастотным стереозвучием, поверните регулировочный винт M2, чтобы выровнять левый канал с правым и по фазе.
- 3 Когда получен удовлетворительный результат, задайте азимут, затянув фиксирующий винт.

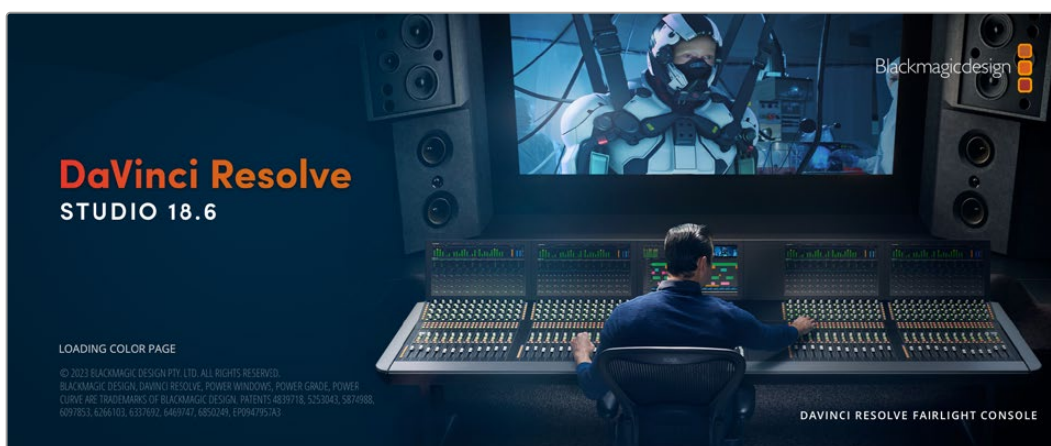
ПРИМЕЧАНИЕ. Иногда затягивание винта для фиксации азимута может слегка изменить его значение. В этом случае повторите описанные выше действия.

По завершении калибровки магнитной головки и оптического аудиоблока установите назад переднюю крышку и затяните четыре несъемных винта M3 с помощью шестигранной отвертки 2,5 мм. Затем с использованием шестигранной отвертки 1,5 мм можно вернуть на место ручку регулировки.

Работа с клипами в приложении DaVinci Resolve

Для создания резервных копий во время оцифровки используйте «Инструмент клонирования» на стр. «Мультимедиа» приложения DaVinci Resolve. Дублирование рекомендуется для любых накопителей, так как ни один из них не защищен от повреждений, из-за которых легко утратить отсканированный материал. Имея резервные копии, клипы можно добавить в окно «Медиатека», а затем разместить на временной шкале, чтобы выполнить монтаж, цветокоррекцию и создать конечный продукт без использования других приложений.

COBET. Клипы в HDR можно идентифицировать по соответствующему значку в нижнем левом углу пиктограммы.



Сканер создает изображение в формате Cintel Raw Image (CRI) с широким динамическим диапазоном, который дает большие возможности при грейдинге в приложении DaVinci Resolve. Благодаря наличию функций редактирования DaVinci Resolve является не только системой нелинейного монтажа, но и современным приложением для обработки цифрового кино. Любой пользователь DaVinci Resolve имеет доступ к самым современным инструментам постпроизводства.

Ниже описан порядок использования приложения DaVinci Resolve при монтаже отсканированного материала. Чтобы узнать больше о его функционале, загрузите руководство по DaVinci Resolve, которое содержится в разделе поддержки на веб-сайте Blackmagic Design, где также можно найти информацию об образовательных курсах и видеофильмы о работе с этим программным пакетом.

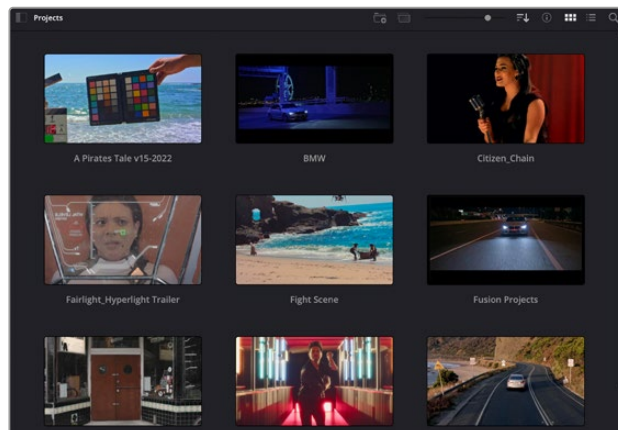
Менеджер проектов

Прежде чем импортировать клипы и начинать монтаж, необходимо создать проект с помощью менеджера проектов.

Менеджер проектов появляется при запуске приложения DaVinci Resolve, но его можно также открыть в любое время, нажав значок домашней страницы в правом нижнем углу интерфейса. С его помощью открывают существующие проекты или создают новые.

Чтобы создать новый проект, нажмите кнопку «Новый проект» в нижней части окна и дайте проекту имя. Щелкните «Создать».

К работе над клипами можно сразу приступить на странице «Сборка».



В окне менеджера проектов отображаются все проекты данного пользователя

Дополнительную информацию о менеджере проектов см. в руководстве по DaVinci Resolve, которое можно загрузить в разделе поддержки на веб-сайте Blackmagic Design.

Монтаж на странице «Сборка»

Ускоренный процесс монтажа на странице «Сборка» позволяет выполнять сведение, подгонку и редактирование клипов очень быстро и эффективно.

Две активные временные шкалы обеспечивают одновременную работу с полным эпизодом и с его более детальным вариантом. Это означает, что клипы можно добавлять в любое место на шкале общего вида, а затем редактировать их на крупной шкале в едином рабочем пространстве. Благодаря такой конфигурации монтаж легко выполнять на ноутбуке, так как отпадает необходимость масштабирования и прокрутки, что экономит много времени.

Структура страницы «Сборка»

По умолчанию на странице сборки отображаются медиатека, окно просмотра и временная шкала. Эти три основных окна обеспечивают полный контроль над процессом сведения материала.



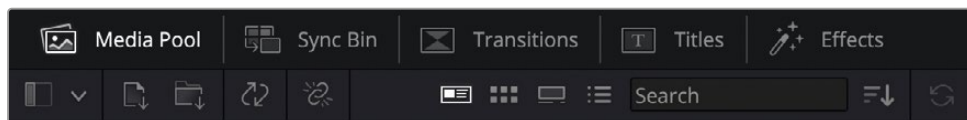
Рабочая область страницы «Сборка» по умолчанию и медиатека с клипами в виде пиктограмм

Подробнее о странице «Сборка» см. главу “The Cut Page” руководства по DaVinci Resolve.

Вкладки медиаконтента

В левом верхнем углу интерфейса есть пять вкладок.

Здесь находятся инструменты для выполнения монтажа. Первая вкладка «Медиатека» уже выбрана. Остальные называются «Синхроящик», «Переходы», «Титры» и «Эффекты».



Медиатека

Здесь находятся все клипы, папки и файлы, импортированные на стр. «Мультимедиа». Чтобы туда не возвращаться, файлы можно также импортировать напрямую на стр. «Сборка».

Синхроящик

Этот мощный инструмент автоматически синхронизирует все клипы по тайм-коду, дате и времени, что позволяет быстро выбирать разные ракурсы материала многокамерной съемки.

Переходы

Эта вкладка содержит видео- и аудиопереходы, в том числе наплывы и вытеснения, которые можно использовать при монтаже.

Титры

Здесь можно выбрать разные виды титров, например прокрутку, стандартный текст или титры в нижней трети экрана. Кроме того, в этой вкладке приведен большой список шаблонов Fusion, позволяющих добавлять более динамичные анимированные титры, настройка которых выполняется на стр. Fusion.

Эффекты

Пятая вкладка содержит различные фильтры и эффекты, например размытие, свечение и эффекты оптики, используемые для придания материалу дополнительного разнообразия. Список довольно большой, и поэтому для облегчения поиска предусмотрено специальное окошко.

СОВЕТ. Рядом со значками вкладок медиаконтента находится инструмент поиска.

Если, например, выбрать вкладку переходов и напечатать в поле поиска слово «наплыв», то в окне отобразятся только переходы с наплывом, что значительно ускорит поиск нужного перехода.


Вкладки окна просмотра

В левом верхнем углу окна просмотра расположены кнопки режимов просмотра.



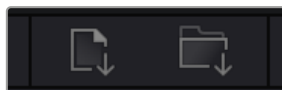
Кнопки режимов просмотра

С помощью этих кнопок можно включать режимы «Исходный клип», «Исходная кассета» или «Временная шкала». Они играют очень важную роль при выборе клипов для монтажа, поэтому стоит вкратце остановиться на каждом из них.



	Исходный клип	В этом режиме в окне просмотра отображается только один клип из медиатеки. На нем можно быстро устанавливать и корректировать точки входа и выхода, используя временную шкалу окна просмотра. Чтобы выбрать исходный клип, его нужно щелкнуть дважды в медиатеке или просто перетащить в окно.
	Исходная кассета	<p>Данный режим позволяет видеть все находящиеся в медиатеке исходные клипы. Этот вид очень удобен, если необходимо быстро пройтись по всем клипам и отыскать определенное событие. По мере перемещения курсора воспроизведения по клипам в медиатеке выделяются соответствующие пиктограммы. Когда нужный фрагмент найден, можно переключиться в режим «Исходный клип», и он автоматически появится в окне просмотра.</p> <p>Окно просмотра исходной кассеты позволяет воспользоваться определенными преимуществами нелинейного монтажа, обеспечивая больше свободы действий, возможность быстрого поиска нужных кадров и воплощения новых идей.</p>
	Временная шкала	В этом режиме в окне просмотра воспроизводятся клипы со временной шкалы страницы «Монтаж».

Импорт клипов в медиатеку

Медиафайлы можно легко импортировать в проект из медиатеки страницы «Сборка» с помощью расположенных сверху инструментов.



Инструменты импорта медиаконтента в проект

	Импортировать мультимедиа	С помощью этого инструмента можно импортировать из хранилища отдельные медиафайлы.
	Импортировать папку мультимедиа	Данная опция позволяет импортировать целую папку. При этом относительное местоположение файлов сохраняется, и для каждой папки создается отдельный ящик, что облегчает навигацию и поиск нужного материала.

Порядок импорта медиафайлов

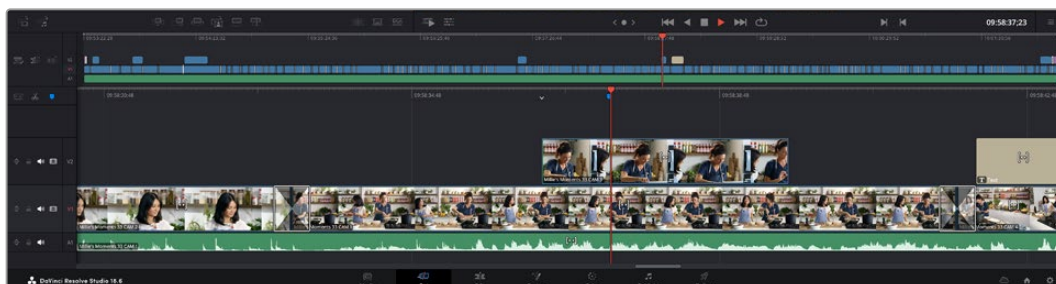
- 1 Щелкните значок «Импортировать мультимедиа» или «Импортировать папку мультимедиа».
- 2 Перейдите в место хранения импортируемого контента.
- 3 Выберите файл или папку и нажмите кнопку «Открыть».

После добавления в проект нового материала рекомендуется сохранить изменения. В приложении DaVinci Resolve предусмотрена функция автоматического сохранения с постоянным временным интервалом. Она активируется после первого сохранения проекта и исключает вероятность утраты внесенных изменений.

Подробнее об автоматическом режиме и других настройках сохранения см. руководство по DaVinci Resolve.

Добавление клипов на временную шкалу

Теперь, после ознакомления с функциями вкладок медиаконтента и кнопок режимов просмотра, можно начинать добавлять клипы из медиатеки на временную шкалу.



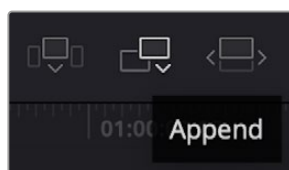
На стр. «Сборка» есть верхняя временная шкала и увеличенная нижняя шкала

Временная шкала представляет собой монтажный стол с дорожками, на которые добавляют клипы, перемещают их и выполняют подгонку. Такая структура позволяет размещать клипы слоями, обеспечивая дополнительную гибкость при использовании переходов и эффектов. К примеру, на верхнюю дорожку можно внести отдельный клип, который не будет влиять на другие клипы, находящиеся снизу.

Есть разные способы добавления клипов на временную шкалу, в том числе смарт-вставка, добавление в конец и размещение сверху.

Добавление клипов в конец

Прежде чем начинать сведение материала, нужные кадры обычно добавляют на временную шкалу в последовательном порядке. Для выполнения этой операции, после чего сразу можно приступить к монтажу, идеально подходит инструмент добавления.



Чтобы добавить новый клип в конец предыдущего, щелкните значок «Добавить»

Порядок добавления клипа

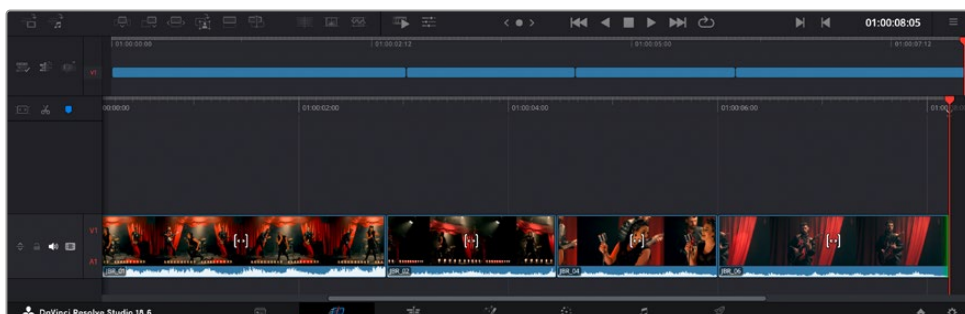
- 1 Дважды щелкните по клипу в медиатеке, чтобы открыть его в окне просмотра.
- 2 С помощью маркеров оперативной подгонки перетащите точки входа и выхода, чтобы откорректировать длительность фрагмента. Для установки точек входа и выхода можно также использовать клавиши "I" и "O".



- 3 Нажмите значок «Добавить», расположенный под панелью медиатеки.

Первый клип будет помещен в начале временной шкалы.

Повторите шаги 1–3 несколько раз. Клипы автоматически становятся друг за другом, не оставляя промежутков.



При использовании инструмента добавления между клипами не остается промежутков

СОВЕТ. Этот процесс можно еще более ускорить, если для активирования функции «Добавить» назначить отдельную клавишу. Например, если назначить клавишу "P", то после установки точек входа и выхода с помощью "I" и "O" для добавления клипа следует нажать "P". Подробнее о назначении сочетания клавиш см. руководство по DaVinci Resolve.

Подгонка клипов на временной шкале

После добавления клипов на временную шкалу их можно сдвигать и обрезать.

Чтобы обрезать клип, наведите указатель мыши на начало или конец клипа, а затем щелкните и перетащите его влево или вправо. Например, перетащите конец клипа влево или вправо, чтобы уменьшить или увеличить его длительность. При выполнении операции все клипы на временной шкале сдвинутся соответствующим образом. Это один из способов экономии времени при работе на стр. «Сборка».

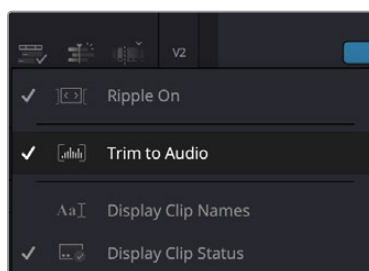
Клип можно также легко вставить на новую видеодорожку большой временной шкалы, не изменяя при этом ее масштаб. Это значительно ускоряет процесс монтажа, поскольку уменьшается время навигации по длинной линейке.

Индикатор подгонки звука

Индикатор подгонки звука помогает точнее выполнять редактирование аудиоматериала, так как позволяет видеть волну сигнала на временной шкале в увеличенном виде. Эта функция особенно удобна при обработке сцен с диалогами или музыкальных клипов, поскольку облегчает поиск точек между словами или битами.

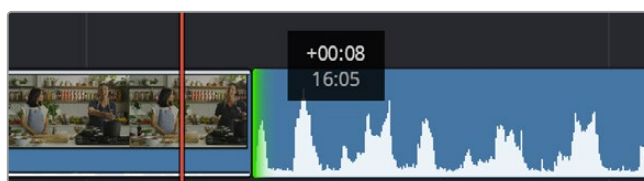
Применение индикатора подгонки звука

- 1 Щелкните по значку параметров временной шкалы и выберите опцию подгонки по звуку.



Опция подгонки по звуку

- 2 Теперь при выполнении подгонки на временной шкале волна аудиосигнала будет отображаться в увеличенном виде. При остановке операции клипы вернутся в свое обычное состояние.



Индикатор подгонки звука показывает волну аудиосигнала в увеличенном виде

После редактирования можно приступить к добавлению титров. Этот процесс описан в следующем разделе.

Добавление титров

На временную шкалу можно добавлять титры разных типов.

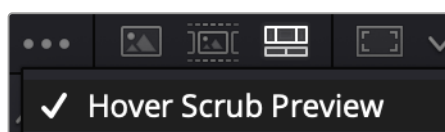
Чтобы их увидеть, нажмите соответствующий значок «Титры» в левом верхнем углу интерфейса. На панели появится список титров в виде пиктограмм, в том числе разные виды нижней трети, прокрутка и стандартное текстовое название. Дополнительно приведены анимированные титры Fusion с изменяемыми параметрами.

Предварительный просмотр титров

Прежде чем добавлять титр на временную шкалу, его можно просмотреть, перемещая по нему курсор на панели титров. Это позволяет быстро проверить все имеющиеся варианты.

Активирование предварительного просмотра титров

- 1 Щелкните меню опций в правом верхнем углу панели титров и выберите «Просмотр с перемоткой при наведении».



Выбор опции «Просмотр с перемоткой при наведении»

- 2 Для вывода титра в окно просмотра, наведите курсор на соответствующую пиктограмму на панели титров. Чтобы увидеть анимацию, передвиньте курсор по пиктограмме слева направо.



Для показа титра в окне просмотра наведите курсор на пиктограмму титра

Понравившиеся титры можно легко добавить на временную шкалу.

Порядок добавления стандартных титров

- 1 Щелкните титр и перетащите его на временную шкалу. Не важно, на какую шкалу добавлять, но для более точного размещения мы рекомендуем использовать крупную шкалу. Для титра, который прикрепится к курсору воспроизведения, автоматически появится новая видеодорожка.
- 2 Отпустите кнопку мыши, и на эту дорожку будет добавлен выбранный титр. Его положение или длительность можно менять так же, как и других клипов.
- 3 Чтобы отредактировать этот титр, щелкните по его клипу, а затем нажмите находящийся под окном просмотра значок «Инструменты».

Появится ряд инструментов, в том числе «Преобразование», «Обрезка» и «Динамическое масштабирование», с помощью которых можно редактировать клип с титром.

- 4 Теперь щелкните вкладку «Инспектор».

Откроется окно инспектора, в котором можно вносить текст названия и изменять его настройки, например отслеживание, междустрочный интервал, начертание и цвет шрифта и т. д.

Для редактирования титров предусмотрено довольно много параметров. Рекомендуем поэкспериментировать с ними, чтобы лучше понять их функции.

СОВЕТ. С помощью функции перемотки при наведении на страницах «Сборка» и «Монтаж» можно также просматривать эффекты, переходы, генераторы и фильтры.

Работа с файлами Blackmagic RAW

Кодек Blackmagic RAW дает максимум гибкости при постобработке. Это позволяет менять баланс белого и светочувствительность таким же образом, как корректируют настройки камеры. В результате сохраняется информация о тональности в областях тени и света, которая бывает полезна при восстановлении утраченной детализации.

Если необходимо получить кадры самого высокого качества или материал имеет широкую градацию от света до тени, рекомендуется вести съемку в Blackmagic RAW. Это позволит максимально эффективно выполнить цветокоррекцию.

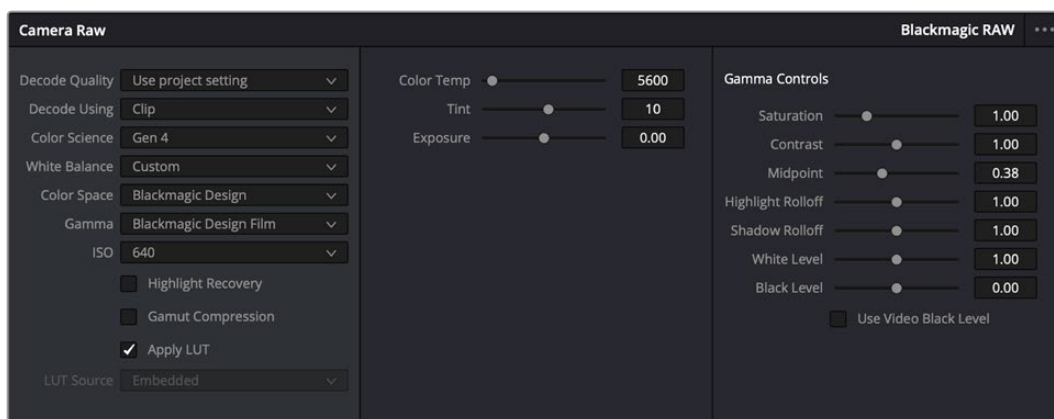
Кроме того, файлы с расширением .braw имеют небольшой размер, поэтому их можно просматривать как обычный видеоклип. Подробнее об особенностях кодека Blackmagic RAW и обработке такого материала в DaVinci Resolve см. следующую главу.

СОВЕТ. Прежде чем начинать грейдинг, рекомендуется сначала откорректировать настройки Blackmagic RAW для клипов на стр. «Цвет».

Настройки «Клип» для работы с Blackmagic RAW

При импорте файлов Blackmagic RAW в приложение DaVinci Resolve выполняется декодирование данных камеры с помощью параметров ISO, баланса белого и оттенка, которые были установлены при съемке. Если вас устраивает цветовой ряд этих настроек, можно сразу приступить к монтажу.

Преимущество съемки в Blackmagic RAW заключается в том, что она никак не связана с этими настройками. Широта доступных вариантов постобработки при использовании формата Blackmagic RAW позволяет выполнять ее по своей системе, а настройки «Клип» на вкладке «Настройки RAW камеры» дают возможность экспериментировать и подбирать нужную цветовую схему.



Чтобы изменить настройки Blackmagic RAW для отдельного клипа, выберите «Клип» в меню «Для декодирования использовать» на вкладке «Настройки RAW камеры»

Изменение настроек Blackmagic RAW

После выбора настройки «Клип» для работы с кодеком Blackmagic RAW параметры клипа и гаммы можно менять. Это позволит максимально приблизить изображение к версии с полноценным первичным грейдингом. Особенно полезны в этом случае индикаторы, которые помогают нейтрализовать и сбалансировать клипы для создания цветовой схемы.

Подробнее о параметрах клипа и гаммы см. разделы ниже.

ISO

Изменяя значение ISO, можно сделать начальную точку светлее или темнее для удобства в дальнейшей работе.

Восстановление светлых тонов

Поставьте флажок для восстановления светлых тонов в обрезанных каналах с помощью информации, взятой из неповрежденных каналов.

Сжатие палитры

Эта опция позволяет автоматически поддерживать диапазон палитры.

Цветовая температура

Настройку на теплый или холодный режим изображения можно использовать для нейтрализации баланса цвета.

Оттенок

Добавление зеленого или пурпурного оттенка помогает сбалансировать цвет изображения.

Экспозиция

Используется для более точной настройки яркости всего изображения.

Насыщенность

Для насыщенности по умолчанию используется настройка 1; полный диапазон значений составляет от 0 (минимум) до 4 (максимум).

Контрастность

По умолчанию используется настройка 1,0. Передвиньте слайдер влево, чтобы уменьшить значение до 0, или вправо, чтобы увеличить его до 2.

Средняя точка

При настройке Blackmagic Design Film средняя точка по умолчанию имеет значение 0,38 или 38,4%. Для уменьшения передвиньте слайдер влево, для увеличения до 100 — вправо. При изменении установленного по умолчанию значения контрастности корректировку можно выполнять изменением перехода светлых и темных тонов.

Спад светлых тонов

Чтобы уменьшить значение до 0, передвиньте слайдер влево, чтобы увеличить до 2 — вправо. По умолчанию используется значение 1.

Спад темных тонов

Чтобы уменьшить значение до 0, передвиньте слайдер влево, чтобы увеличить до 2 — вправо.

Уровень белого

С помощью слайдера можно настроить уровень белого на кривой гамма-распределения в диапазоне от 0 до 2. По умолчанию используется значение 1.

Уровень черного

С помощью слайдера можно настроить уровень черного на пользовательской кривой гамма-распределения в диапазоне от -1 до 1. По умолчанию используется значение 0.

Использовать уровень черного

Поставьте флажок для этой опции, если нужно использовать уровень черного, принятый для видеоматериала.

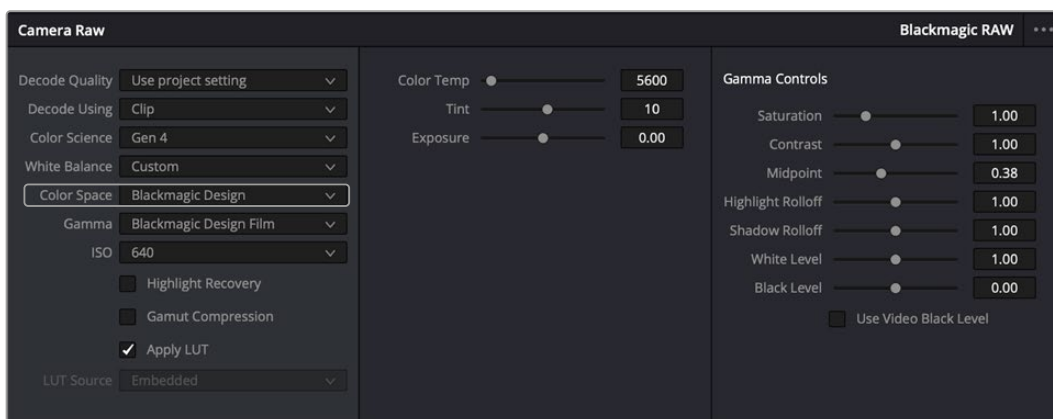
Экспортировать кадр

Кнопка «Экспортировать кадр» позволяет экспортировать отдельный кадр из клипа в формате Blackmagic RAW.

Обновить Sidecar-файл

Кнопка «Обновить Sidecar-файл» служит для обновления файла .sidecar в текущем клипе.

Если параметры в клипах Blackmagic RAW были изменены, для настройки гаммы отображается опция Blackmagic Design Custom.



Чтобы вернуться к версии с одной из настроек гаммы по умолчанию, выберите нужную опцию в соответствующем раскрывающемся меню

COBET. Элементы управления гаммой отключены в том случае, если материал снят в режиме «Видео», однако информация кодека Blackmagic RAW не утрачивается. Чтобы выполнить коррекцию параметров, выберите для настройки «Гамма» опцию Blackmagic Design Film или Blackmagic Design Extended Video.

Сохранение изменений в файле .braw

- 1 Измените параметры полутонов для клипа в кодеке Blackmagic RAW.
- 2 Нажмите кнопку «Обновить Sidecar-файл».

Теперь в папке будет два файла: с расширением .braw и .sidecar. Если другой пользователь импортирует клип в кодеке Blackmagic RAW, файл .sidecar будет автоматически считываться в приложении DaVinci Resolve. При внесении новых изменений нажмите «Обновить Sidecar-файл» еще раз.

COBET. Чтобы не использовать файл .sidecar, удалите его из исходной папки.

Настройки проекта для работы с Blackmagic RAW

Если вы хотите применить новые значения ко всем клипам (например, изменить баланс белого или параметры ISO), это можно сделать на панели «Настройки RAW камеры».

Порядок установки настроек проекта для работы с Blackmagic RAW

- 1 В меню «Файл» выберите «Настройки проекта».
- 2 На вкладке «Настройки RAW камеры» рядом с профилем RAW есть меню. Выберите Blackmagic RAW.
- 3 В меню «Для декодирования использовать» выберите «Проект».
- 4 Укажите нужную опцию в меню «Цветокодировка».
- 5 Для настройки «Баланс белого» выберите опцию «Личные настройки».
- 6 Для настройки «Гамма» выберите опцию Blackmagic Design Custom. Для настройки «Цветовое пространство» выберите опцию Blackmagic Design.

- 7 В меню «Качество декодирования» выберите разрешение. На компьютерах небольшой мощности низкое значение обеспечит улучшенное воспроизведение. Перед созданием конечной версии можно вернуться к полному разрешению.

После этого можно изменить дополнительные параметры клипов, в том числе насыщенность, контрастность и среднюю точку. Такие действия затронут все клипы проекта, для которых в настройке «Для декодирования использовать» была выбрана опция «Проект».

Цветокоррекция клипов на стр. «Цвет»

После добавления на временную шкалу клипов и титров можно приступить к выполнению цветокоррекции на стр. «Цвет». Она содержит довольно широкий набор инструментов, с помощью которых задают общую палитру всему фильму. В данном же случае в целях достижения единообразия цветовую схему клипов сначала рекомендуется нейтрализовать. Если клипы нужно дополнительно отредактировать, вернитесь на стр. «Сборка» или «Монтаж».

Страница «Цвет» позволяет менять общую палитру всего видеоматериала, а сам процесс цветокоррекции можно вполне считать видом искусства, ведь колорист добавляет изображению эмоциональные краски. Это очень творческая часть рабочего процесса, от которой получаешь огромное удовольствие, когда видишь плоды своего труда. Начальная стадия называется первичной цветокоррекцией или глобальной установкой цвета. После ее завершения приступают ко вторичной цветокоррекции, во время которой вносят мелкие изменения в тональность определенных объектов на изображении. Для повышения эффективности и получения наилучших результатов к данному этапу следует переходить после первичной цветокоррекции.

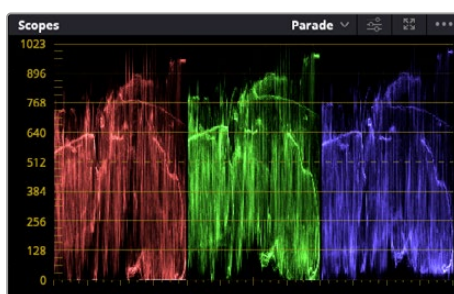
Чтобы открыть страницу работы с цветом, выберите вкладку «Цвет».

Она содержит настройки RAW камеры, цветовые круги, панели кривых и инструменты грейдинга, а также окна просмотра и узлов. Все эти функции позволяют создавать самые сложные и оригинальные цветовые решения. В данном разделе приводится базовое описание процессов. Более подробную информацию об инструментах и операциях смотрите в соответствующих разделах руководства. Изложенные в простой форме инструкции помогут вам овладеть такими же приемами, которые используют профессионалы на студиях грейдинга.

На этапе первичной цветокоррекции обычно выполняют обработку темных, средних и светлых тонов, то есть изменяют параметры «Тени», «Полутона» и «Свет». Это позволяет получить светлое сбалансированное изображение, которое служит отправной точкой для создания визуального ряда в необходимой цветовой гамме. При оптимизации изображения часто используют индикаторные диаграммы.

Работа с индикаторными диаграммами

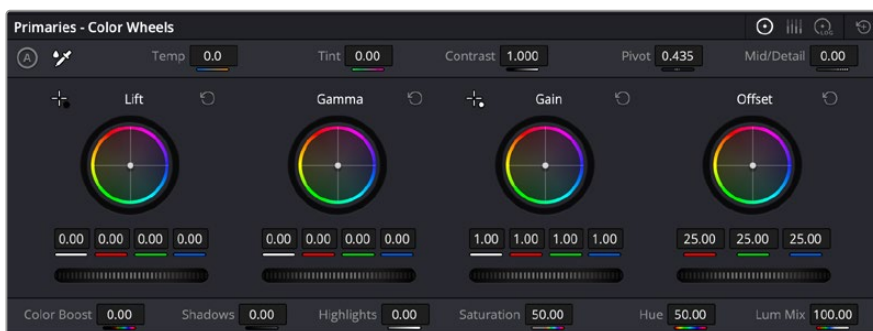
Большинство колористов создают цветовые решения, отталкиваясь от собственного представления о том, какие эмоции должен передавать визуальный ряд. Вдохновение для такой работы можно черпать из повседневной жизни, если наблюдать за предметами при различном освещении.



RGB-дисплей помогает получить оптимальный вид областей света, полутона и тени

Другой способ грейдинга — работа со встроенными диаграммами, которые позволяют установить необходимый баланс цвета. Кнопка «Диаграммы» (вторая справа на панели инструментов) позволяет открыть одну из следующих диаграмм: форма волны, RGB-дисплей, вектроскоп, гистограмма или хроматичность по CIE. С их помощью можно контролировать баланс тонов, проверять уровни видео, чтобы не допускать затемнения или засветки изображения, а также выявлять преобладание отдельных оттенков.

Панель «Цветовые круги» содержит инструменты для работы с параметрами «Тени», «Полутона» и «Свет», которые обычно используются для первичного грейдинга. Этим она похожа на средства установки цвета и регулировки контрастности в других приложениях.



Круги «Тени», «Полутона», «Свет» и «Смещение» предназначены для изменения параметров цвета и баланса тонов. Чтобы выполнить глобальную коррекцию всех цветов для каждой области, перетащите колесики под цветовыми кругами вперед или назад.



Выполнять настройку параметров на полосах первичной цветокоррекции легче с помощью мыши

Для более точной настройки параметров каждого цвета в отдельности используйте компьютерную мышь либо измените цветовую панель на «Полосы первичной цветокоррекции» для корректировки яркости. Опцию «Полосы первичной цветокоррекции» можно выбрать из раскрывающегося меню, которое находится вверху справа от цветовых кругов.

Корректировка параметра «Тени»

Выберите клип на временной шкале и нажмите на колесико шкалы «Тени» под первым цветовым кругом. Перетащите колесико вперед или назад и посмотрите, как изменится изображение. Яркость областей тени будет увеличиваться или уменьшаться.

Установите слайдер в положение, при котором эти области имеют оптимальный вид. При слишком низком значении отдельные детали в областях тени станут неразличимыми. Наилучший результат достигается в том случае, когда уровень сигнала на RGB-дисплее находится непосредственно над нижней линией.

Корректировка параметра «Свет»

Нажмите на колесико шкалы «Свет» и перетащите его вперед или назад. Это действие позволяет изменить вид областей света, которые являются наиболее яркими участками

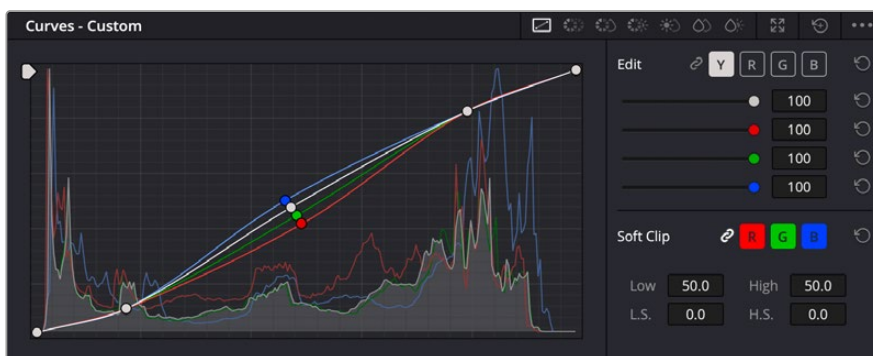
изображения. На RGB-дисплее этим областям соответствует сигнал в верхней части экрана. Чтобы получить яркое изображение, уровень сигнала должен находиться непосредственно под верхней линией. Если уровень поднимается над верхней линией, области света будут иметь эффект засветки, и их отдельные детали станут неразличимы.

Корректировка параметра «Полутона»

Нажмите на колесико шкалы «Полутона» под цветовым кругом и перетащите его вперед или назад. По мере увеличения этого параметра яркость изображения будет возрастать. Одновременно с перемещением колесика будет меняться форма волны в средней части диаграммы, которая соответствует области полутонов. Изображение имеет оптимальный вид, когда значение этого параметра находится в границах между 50 и 70%. В зависимости от создаваемой цветовой гаммы и условий освещенности эти рамки могут быть расширены.

Для выполнения первичной цветокоррекции можно также использовать кривые. Чтобы изменить общую контрастность изображения для всех трех каналов (RGB), создайте точки на диагональной линии, щелкнув кнопкой мыши в нужных местах, и перетащите их вверх или вниз. Для оптимального результата лучше выбрать точки в верхней и нижней третях, а также посередине.

Первичную цветокоррекцию можно выполнять многими другими способами.



Панель кривых — еще один инструмент для выполнения первичной цветокоррекции или выделения отдельных областей при использовании Power-зоны

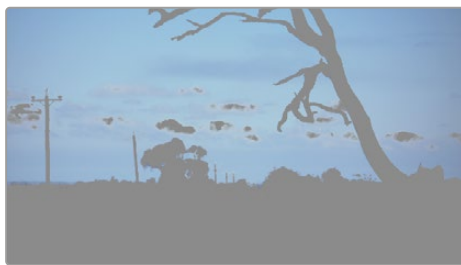
Вторичная цветокоррекция

Вторичная цветокоррекция используется для обработки отдельных участков изображения. Предыдущий этап называется первичной цветокоррекцией, потому что все изменения параметров «Тени», «Полутона» и «Свет» затрагивают целое изображение.

Если изменения необходимо применить только к отдельным участкам изображения (например, сделать более естественным цвет травы в кадре или более насыщенным цвет неба), используют вторичную цветокоррекцию. Для этого выбирают отдельный фрагмент изображения и работают только с ним. Благодаря узловой структуре можно выполнять любое количество действий и получать именно тот эффект, который нужен. С помощью Power-зоны и трекинга изменения легко применить к выбранным объектам даже в том случае, если они двигаются.

Отбор цвета

Иногда колористу нужно увеличить интенсивность отдельного цвета (например, сделать более сочной траву и более ярким небо) или скорректировать его, чтобы привлечь внимание зрителя к какому-нибудь предмету. Это можно сделать с помощью настроек квалификатора.



Настройки квалификатора помогают выделять цвета в изображении, если нужно увеличить контрастность или подчеркнуть отдельные детали

Порядок отбора цвета

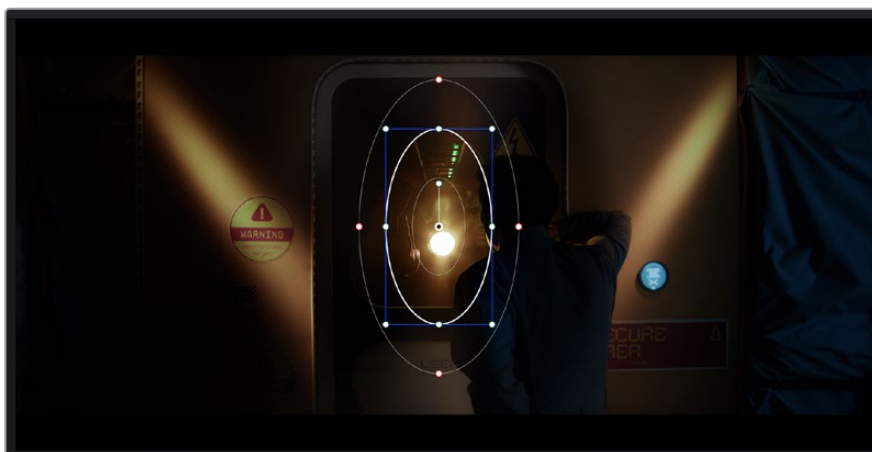
- 1 Добавьте новый последовательный узел.
- 2 Откройте панель «Квалификатор» и убедитесь в том, что используется селектор в разделе «Выбранный диапазон».
- 3 Щелкните кнопкой мыши на том цвете, который нужно обработать.
- 4 Обычно требуется дополнительно изменить отдельные параметры, чтобы сделать более ровными края области с выбранным цветом. Нажмите кнопку «Выделить» над окном просмотра, чтобы увидеть выбранную область.
- 5 В окне «Тон» настройте параметр «Шир.», чтобы расширить или сузить границы выбранной области.

Изменяя параметры «Высок.», «Низк.» и «Мягк.», создайте область с оптимальными границами. Теперь можно выполнить коррекцию выбранного цвета с помощью цветовых кругов или пользовательских кривых.

Иногда выбранный цвет может присутствовать в областях кадра, которые нужно исключить из обработки. Для маскирования таких областей применяют Power-зону. Создайте новое окно и используйте его для выбора только необходимого участка цвета. Если предмет этого цвета будет двигаться, функция трекинга поможет сохранить изменения для Power-зоны.

Добавление Power-зоны

Power-зона — мощный инструмент вторичной цветокоррекции, с помощью которого легко изолировать отдельные участки клипа. Эти участки необязательно должны быть статичными — положение предметов в кадре может меняться в зависимости от угла съемки, и сами предметы тоже могут двигаться.



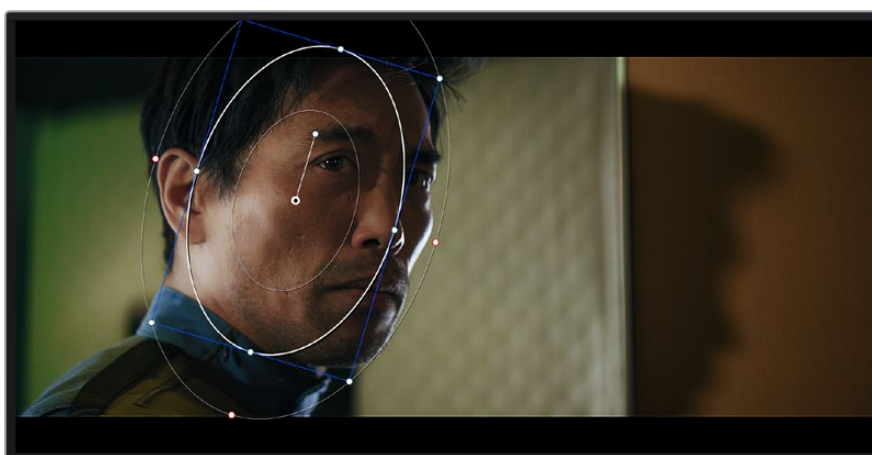
Power-зона используется для исключения участков, которые не должны быть затронуты обработкой с помощью квалификатора

Например, если выделить фигуру человека, новые параметры цвета и контрастности будут применены только к данной области и не затронут остальную часть изображения. Благодаря этой функции колористы акцентируют внимание зрителя на нужных деталях.

Порядок добавления Power-зоны

- 1 Добавьте новый последовательный узел.
- 2 Откройте панель «Окно» и выберите нужную фигуру, щелкнув кнопкой мыши на соответствующем значке. В узле будет добавлена зона выбранной формы.
- 3 Для изменения границ зоны используйте синие точки по контуру фигуры. Красные точки позволяют скорректировать резкость краев. Нажмите на центральную точку фигуры и поместите ее в ту область, которую нужно изолировать. Для поворота фигуры используют точку, соединенную с центром.

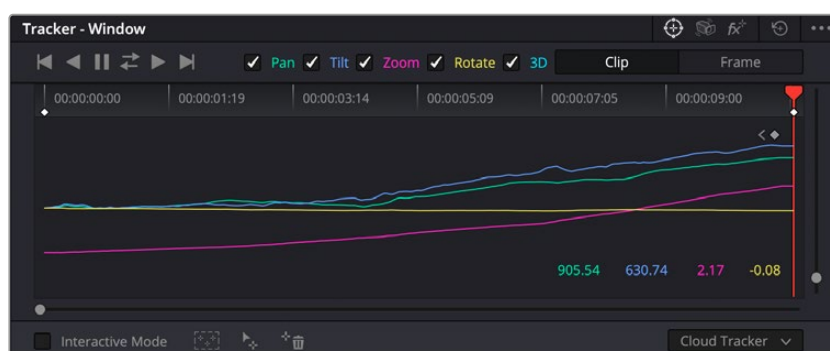
Теперь цветокоррекция будет применяться только к выделенной области изображения.



Power-зона позволяет выполнять вторичную цветокоррекцию отдельных участков изображения

Отслеживание зон

Так как камера и предметы в кадре могут двигаться, для привязки зоны к выбранному участку используют функцию отслеживания. Она анализирует положение камеры и перемещение предметов, позволяя сохранить заданные зоны. Если этого не сделать, цветокоррекция может затронуть те области, которые изначально не были выбраны.



С помощью функции отслеживания можно привязать Power-зону к движущемуся предмету

Отслеживание зоны на движущемся объекте

- 1 Создайте новый последовательный узел и добавьте Power-зону.

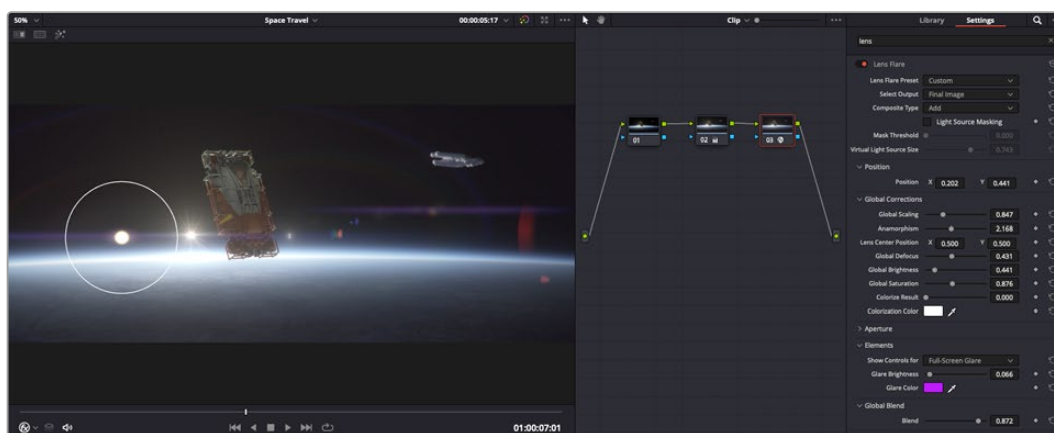
2. Перейдите в начало клипа, затем выберите положение и размер зоны, чтобы она охватывала только нужный участок изображения.
3. Откройте панель «Отслеживание». В зависимости от характера движения выберите анализ параметров «Панорамирование», «Наклон», «Масштабирование», «Поворот» и «3D-перспектива», поставив или сняв флажок в соответствующем поле.
4. Нажмите кнопку «Отслеживание вперед» слева от настраиваемых параметров. DaVinci Resolve будет использовать несколько точек отслеживания для анализа движения в последовательности кадров, поэтому Power-зона останется привязанной к выбранной области изображения.

В большинстве случаев автоматическое отслеживание бывает успешным, однако для некоторых сложных сцен может потребоваться ручная обработка с помощью редактора ключевых кадров. Более подробно эта функция описана в руководстве по DaVinci Resolve.

Использование плагинов

При выполнении вторичной цветокоррекции можно использовать плагины Resolve FX или Open FX, которые позволяют создавать оригинальные цветовые решения на странице «Цвет» и добавлять переходы на страницах «Сборка» и «Монтаж». Плагины Resolve FX устанавливаются вместе с приложением, а OFX предлагают сторонние производители программного обеспечения.

После установки набора плагинов OFX для доступа к ним или к Resolve FX перейдите на страницу «Цвет» и откройте панель Open FX, которая находится справа от редактора узлов. Создав новый последовательный узел, нажмите кнопку Open FX и перетащите плагин на этот узел. Если настройки плагина можно изменить, используйте панель «Настройки».



Плагины OFX — удобный и простой способ создания оригинального визуального ряда

На странице «Монтаж» с помощью плагинов можно добавлять эффекты, переходы и фильтры. Для этого откройте панель Open FX в библиотеке эффектов и перетащите выбранный плагин на видеоклип или дорожку над ним на временной шкале.

Микширование звука на странице «Монтаж»

После редактирования и цветокоррекции видео можно приступить к обработке звука. В DaVinci Resolve есть ряд инструментов для монтажа и создания мастер-копии аудиодорожки непосредственно на странице «Монтаж». Комплексное микширование доступно на специальной странице Fairlight, которая имеет целый набор средств для полноценного сведения звука. Их описание содержится в следующем разделе.

Добавление звуковых дорожек

Для наложения звуковых эффектов и музыки на странице «Монтаж» можно добавить новые дорожки. Такой способ обработки помогает создать целостное звуковое сопровождение, состоящее из диалогов, музыкального фона и дополнительных эффектов.

Порядок добавления звуковой дорожки на странице «Монтаж»

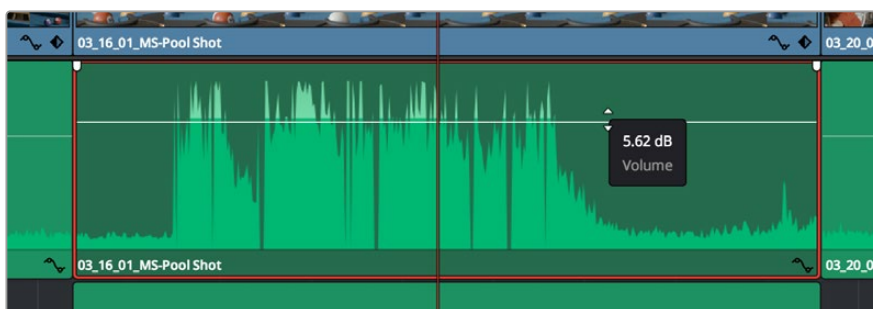
Щелкните правой кнопкой мыши рядом с названием любой звуковой дорожки на временной шкале, выберите «Добавить дорожку», затем одну из опций (Mono, Stereo или 5.1). Новая дорожка будет добавлена внизу списка. Также можно выбрать «Добавить дорожки...» и указать место, куда нужно поместить одну или несколько новых дорожек.

На временной шкале появится новая звуковая дорожка.

СОВЕТ. Если тип дорожки нужно изменить после ее создания, щелкните правой кнопкой мыши рядом с названием, выберите «Изменить тип дорожки на», затем одну из опций (Mono, Stereo или 5.1).

Настройка уровней звука на временной шкале

Каждый клип на временной шкале имеет отдельную настройку уровня звука, изменить который можно простым перетаскиванием указателя с помощью мыши. Эта настройка соответствует значению «Громкость» в окне «Инспектор».

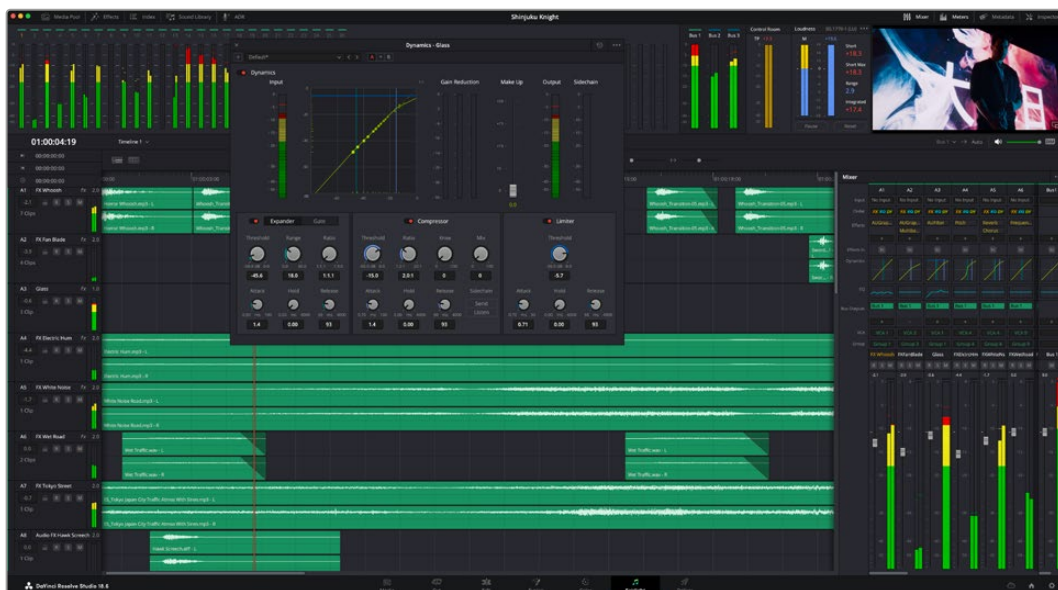


Уровень звука меняется перетаскиванием указателя

Для комплексного микширования используется страница Fairlight, которая содержит полный комплект инструментов для постобработки звука.

Страница Fairlight

Страница Fairlight приложения DaVinci Resolve служит для обработки звука. Позволяя увидеть все аудиодорожки проекта в режиме одного экрана, она имеет целый набор инструментов для расширенного микширования и пользовательские средства мониторинга. Это упрощает проверку качества звукового сопровождения и настройку уровней сигнала для создания оптимальной мастер-версии.



Данный раздел содержит описание основных функций, представленных на странице Fairlight. Подробнее о каждом инструменте и способах их применения см. руководство по DaVinci Resolve.

Звуковая временная шкала

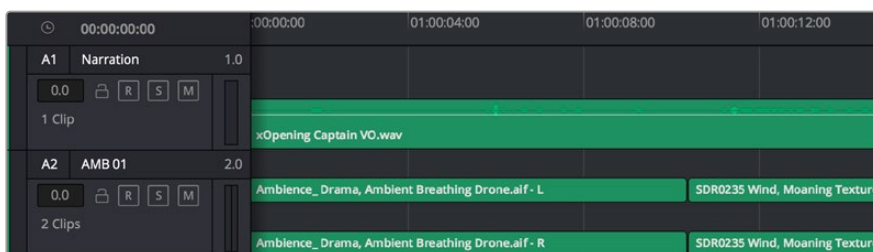
На звуковой временной шкале отображаются соответствующие аудиоканалы и дорожки. Каждый трек регулируется отдельной полосой, что обеспечивает удобное микширование и обработку материала.

Заголовок дорожки

С левой стороны в заголовке каждой дорожки указаны ее номер, название и цвет, а также отображаются аудиоканалы, уровень фейдера и индикаторы звука. Там же можно установить и снять блокировку дорожек, выбрать вывод отдельного трека и отключить аудио. Эти органы управления позволяют систематизировать дорожки и просматривать каждую из них по отдельности.

Дорожки

Для редактирования и микширования каждая дорожка на странице Fairlight разделена на полосы, которые соответствуют индивидуальным каналам аудиосигнала. На временной шкале страницы «Монтаж» эти каналы скрыты, а для удобства обработки отображается весь клип с целостным звуковым сопровождением.



A1 — монодорожка с одной полосой, A2 — стереодорожка с двумя полосами

Понятие шины

Шина — это канал для сведения нескольких звуковых дорожек в один сигнал, которым можно управлять как единым элементом. На странице Fairlight шина создается автоматически, и на нее по умолчанию добавляются все аудиотреки, находящиеся на временной шкале. Это позволяет составлять из них отдельный микс и регулировать его общий уровень.

При работе над более сложными проектами часто создают отдельные шины для каждой категории треков (например, диалоги, музыка и звуковые эффекты), чтобы было удобно выполнять их пакетную обработку. Так, все дорожки с диалогами можно свести в специальный микс, а затем выбрать для них одинаковые параметры с помощью одного набора настроек.

Новая система FlexBus обеспечивает исключительную гибкость в организации и маршрутизации аудио, в том числе позволяет направлять шину на шину, дорожку на шину и шину на дорожку. Подробнее о настройках аудиошин на стр. Fairlight см. руководство по DaVinci Resolve.

Микшер

Каждый трек на временной шкале соответствует отдельному каналу на панели «Микшер». Звуковое сопровождение для шины отображается в виде одной полосы и по умолчанию имеет обозначение «Шина 1». Если создать дополнительные шины, в правой части экрана для них появятся свои полосы с набором графических органов управления. Они позволяют назначать каналы для вывода, настраивать параметры эквалайзера и динамики, устанавливать уровень сигнала и автоматизировать задачи, задавать пространственные характеристики объемного и стереозвука, отключать или прослушивать только один трек.

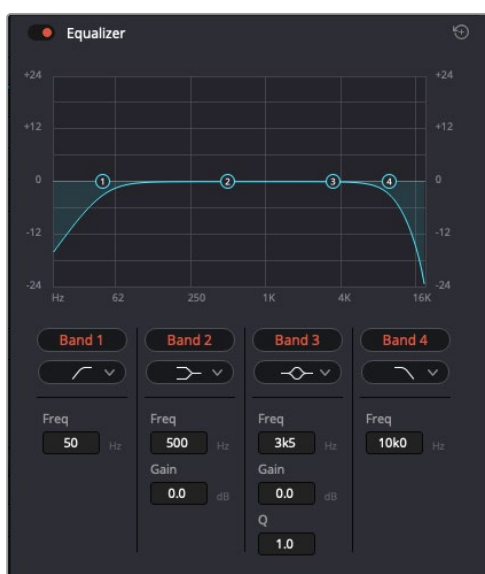


Аудиомикшер с каналами, которые соответствуют дорожкам на временной шкале

Работа с эквалайзером

После того как настроены уровни звука, иногда требуется его дополнительная обработка. Когда диалоги, музыка и эффекты имеют одинаковые частотные характеристики, звуковое сопровождение клипа становится слишком насыщенным и трудным для восприятия. В этом случае можно использовать эквалайзер, чтобы задать участки спектра для каждой дорожки. Также он позволяет удалить нежелательные элементы путем изолирования частот, содержащих различные помехи в виде шума, и уменьшения соответствующего уровня.

DaVinci Resolve имеет фильтры EQ, которые можно применить как ко всему клипу, так и к отдельной дорожке. Для любого клипа на временной шкале доступна обработка с помощью четырехполосного эквалайзера в окне «Инспектор», а для треков на панели «Микшер» — с помощью шестиполосного параметрического эквалайзера. При создании кривой нужной формы используют графические органы управления и числовые значения, которые позволяют усилить или ослабить отдельные частотные диапазоны, а также фильтры разных видов.



Клипы на временной шкале можно обрабатывать с помощью четырехполосного эквалайзера

Для крайних полос можно выполнять настройку с использованием фильтров высоких и низких частот, высокого и низкого шельфа. Частотные фильтры полностью удаляют из сигнала все частоты выше или ниже определенного значения. Так, высокочастотный фильтр пропускает высокие частоты и задерживает низкие. Те из них, которые не попадают в заданный диапазон, постепенно обрезаются по нисходящей кривой.

Фильтры шельфа предназначены для более мягкой обработки и используются, когда нужно сформировать форму сигнала в верхней или нижней точке без полного удаления частот. Они усиливают или ослабляют целевую частоту и равномерно воздействуют на все частоты выше или ниже заданной границы.

Для средних полос можно выполнять эквализацию с использованием низкого и высокого шельфов, полосно-заграждающего и колоколообразного фильтров.

Колоколообразный фильтр

Усиливает или ослабляет диапазон частот в заданной точке кривой.

Полосно-заграждающий фильтр

Позволяет обрабатывать очень узкий диапазон частот. Например, с его помощью можно удалить помехи на частоте 50 или 60 Гц.

Фильтр низкого шельфа

Усиливает или ослабляет сигнал целевой частоты на нижней границе и более низкие частоты.

Фильтр высокого шельфа

Усиливает или ослабляет сигнал целевой частоты на верхней границе и более высокие частоты.

Обработка клипа с помощью эквалайзера

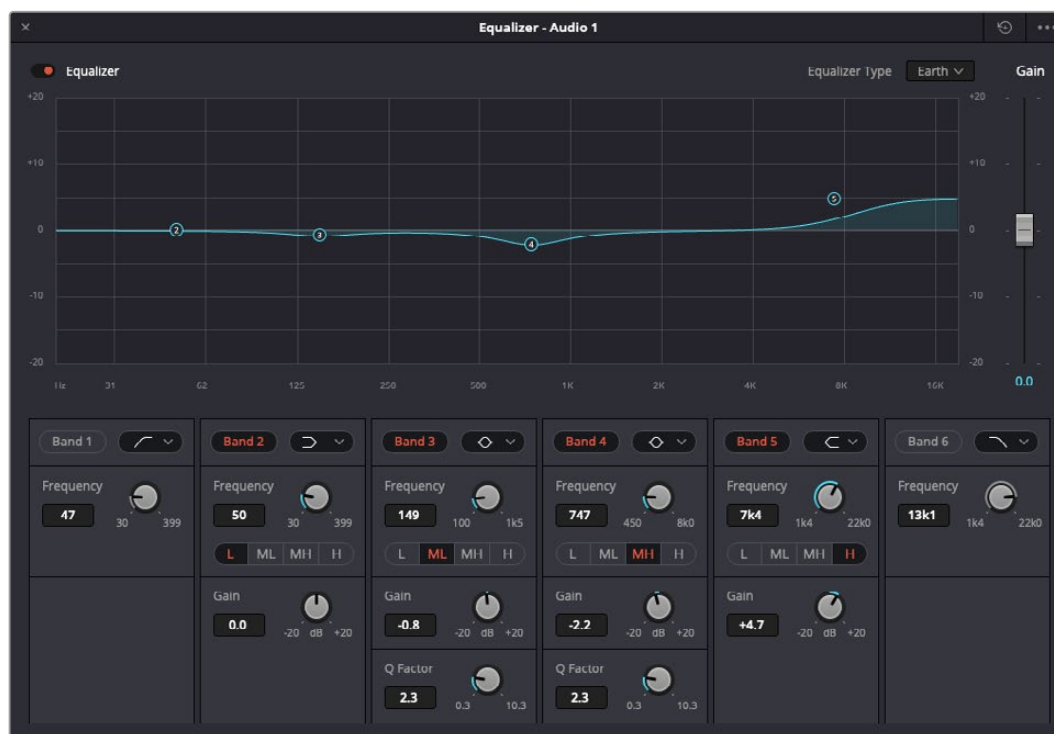
- 1 Чтобы добавить эквалайзер, выберите клип на временной шкале.
- 2 Щелкните значок «Инспектор» и активируйте «Эквалайзер».

Порядок добавления эквалайзера к дорожке

- 1 Чтобы открыть эквалайзер для определенной дорожки, дважды щелкните кнопкой мыши в секции «ЭКВ» этой дорожки.
- 2 В раскрывающемся меню выберите тип фильтра.



В секции «ЭКВ» на панели «Микшер» отображается кривая в соответствии с выбранным фильтром



Каждую дорожку можно обработать с помощью шестиполосного параметрического эквалайзера

Когда для клипа или дорожки открыт эквалайзер, можно выполнить обработку на каждой полосе. Набор доступных настроек зависит от выбранного типа фильтра.

Настройка параметров фильтра полосы

- 1 В раскрывающемся меню выберите тип фильтра.
- 2 Установите значение центральной частоты в поле «Частота».
- 3 Для усиления или ослабления частот в данном диапазоне настройте значение «Усиление».
- 4 Выберите значение «Q-фактор» для указания ширины рабочей полосы.

Для возврата к настройкам по умолчанию нажмите на значок сброса в окне «ЭКВ».

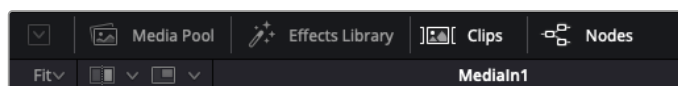
Набор инструментов Fairlight позволяет улучшить качество звука на каждой аудиодорожке. С их помощью можно добавлять треки и систематизировать их по шинам, а также создавать такие эффекты, как задержка или реверберация.

Добавление визуальных эффектов и композитинг на странице Fusion

После завершения монтажа можно перейти на страницу Fusion, чтобы непосредственно в DaVinci Resolve добавить анимационную графику, а также 2D- и 3D-эффекты. В отличие от программ для композитинга на основе слоев, работа во Fusion ведется с узлами. Такая структура дает достаточно свободы при создании сложных эффектов и позволяет использовать данные об изображении самыми разными способами. В окне узлов показаны используемые на каждом этапе инструменты. Если вы уже имели дело с узлами на странице «Цвет», этот процесс будет вам знаком.



В верхней части находятся два окна просмотра с кнопками управления воспроизведением, справа — панель Inspector для настройки параметров, а внизу — окно Nodes, в котором выполняется композитинг. Окна просмотра и кнопки управления отображаются постоянно, а окна Nodes, панели Spline, Keyframes, Inspector и библиотеку Effects Library можно скрыть или показать, нажав соответствующие значки в верхней части дисплея.



Медиатека

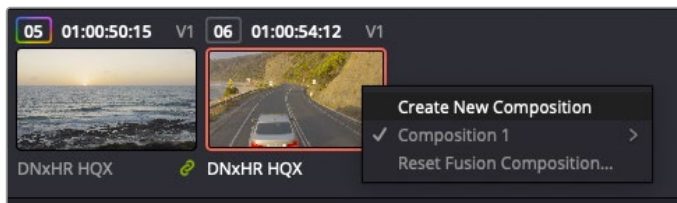
Выполняет те же функции, что и на странице «Монтаж». Для использования дополнительных медиафайлов их достаточно перетащить из папок прямо в композицию.

Библиотека эффектов

Здесь находятся инструменты и шаблоны Fusion, сгруппированные по категориям, в том числе для трекинга и добавления частиц, использования фильтров и генераторов. Чтобы добавить инструмент в композицию, его можно либо щелкнуть мышью, либо перетащить в область узлов. Медиатека и библиотека эффектов занимают один и тот же участок экрана для того, чтобы при переключении между ними размер окон просмотра не менялся.

Клипы

Нажатием кнопки «Клипы» можно отобразить или скрыть пиктограммы, соответствующие клипам на временной шкале. Пиктограммы находятся под окном Nodes и обеспечивают мгновенный доступ к другому материалу.



Чтобы создать новую версию композиции, щелкните пиктограмму правой кнопкой мыши и выберите команду «Создать новую композицию»

Окна просмотра

В них можно воспроизводить разные варианты композиции, например общее трехмерное изображение через узел Merge 3D, выход с камеры или конечный результат рендеринга. Они также позволяют проверять, как внесенные изменения влияют на конкретный элемент.

Чтобы просмотреть узел в левом окне, выберите узел и нажмите клавишу 1, в правом окне — 2. Под узлом появится белая точка, которая показывает, в каком окне он выводится. Если есть внешний монитор для передачи изображения, он будет обозначен третьей точкой.

СОВЕТ. Для привязки узла к определенному окну просмотра можно также использовать перетаскивание.

Находящиеся под окнами просмотра кнопки управления позволяют переходить к началу или концу клипа, проигрывать его вперед или назад, а также останавливать воспроизведение. На линейке времени показана продолжительность полного клипа, а желтые метки обозначают точки входа и выхода.



Желтые метки на линейке времени показывают точки входа и выхода клипа на монтажной линейке. При использовании эффектов Fusion или составной композиции линейка времени отражает длительность клипа на монтажной линейке, то есть без маркеров.

Nodes (Узлы)

Это окно является главной панелью страницы Fusion, на которой путем добавления инструмента на выходе одного узла создается исходный материал для нового узла. Если открыты панели Spline и Keyframes, размер этой области меняется. Над ней расположены наиболее часто используемые инструменты для быстрого доступа к ним.

Spline (Сплайн)

Если открыть эту панель, она будет отображаться справа от окна Nodes. С помощью кривых Безье здесь можно выполнять точную корректировку каждого узла, например сглаживание анимации между двумя ключевыми кадрами.

Keyframes (Ключевые кадры)

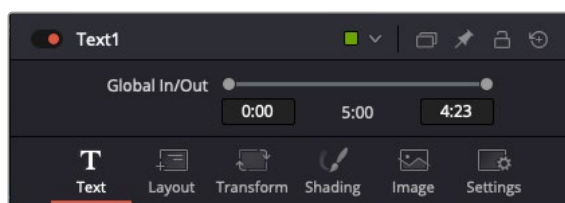
Добавлять, удалять или изменять ключевые кадры в каждом клипе можно с помощью соответствующего редактора. Он также расположен справа от окна Nodes.

Метаданные

На панели метаданных отображается подробная информация о выбранном клипе, включая сведения о кодеке, частоте кадров и тайм-коде.

Inspector (Инспектор)

Находящаяся в правом верхнем углу панель Inspector содержит настройки и модификаторы одного или нескольких выбранных узлов. Появляются также дополнительные вкладки с другими параметрами узлов, сгруппированными по категориям.

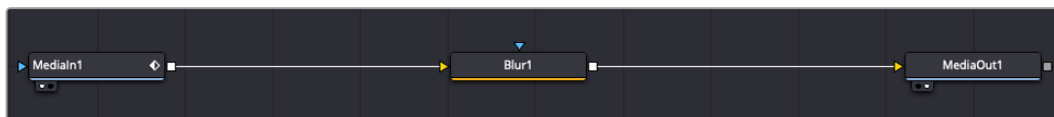


Дополнительные вкладки для изменения текста, конфигурации, трансформирования, теней, изображения и настроек

Подготовка к работе с Fusion

Чтобы открыть страницу Fusion, наведите курсор монтажной линейки на любой клип и щелкните вкладку Fusion.

Этот клип будет соответствовать узлу под названием MediaIn. Каждая композиция состоит из узлов MediaIn и MediaOut. Узел MediaIn представляет собой самый верхний клип, на котором находится курсор монтажной линейки, а дорожки, расположенные ниже, игнорируются. Любые изменения, внесенные в клип на странице «Монтаж» (такие как преобразование и обрезка кадра), также учитываются.



Узел выхода, который соответствует изображению, поступающему обратно на временную шкалу страницы «Монтаж», называется MediaOut.

СОВЕТ. Изменения от применения плагинов Resolve FX или OFX на стр. «Монтаж» не отображаются на стр. Fusion. Это объясняется тем, что эффекты Fusion накладываются до выполнения цветокоррекции и обработки с помощью OFX или Resolve FX. Чтобы применить OFX до добавления эффектов Fusion, щелкните правой кнопкой мыши клип на странице «Монтаж» и выберите «Новый клип на стр. Fusion...», затем перейдите на страницу Fusion.

Что такое узлы

Каждый узел — это визуальный значок, обозначающий один инструмент или эффект. Узлы соединяют друг с другом для создания общего композитного изображения. Чтобы лучше ориентироваться в этом процессе, необходимо понять роль входов и выходов в таких элементах.

У некоторых инструментов есть несколько входов и выходов, соединяемых с другими узлами. Узел Merge, например, может использоваться в качестве исходного материала передний план, фон или маску для кеинга.

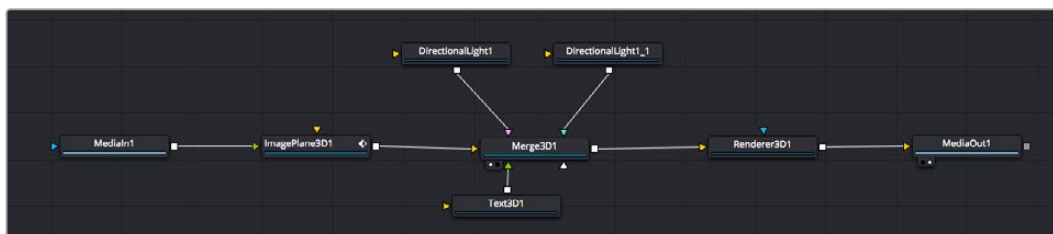


Наличие нескольких выходов позволяет соединять один узел с разными узлами композиции, поэтому нет необходимости делать копии клипов, как в программах с использованием слоев. Стрелки на соединяющих узлы линиях служат хорошим визуальным индикатором, который показывает направление потока обработки.

Добавление узлов в окне Nodes

Чтобы добавить эффект, достаточно поместить его на линию между узлами MediaIn и MediaOut.

Есть несколько способов сделать это. Можно вставить новый узел между двумя существующими, удерживая клавишу SHIFT, или же щелкнуть узел, для которого нужно добавить эффект, а затем выбрать инструмент. Новый узел будет автоматически соединен с заданным инструментом. Узел также легко добавить в любое место окна Nodes с последующим соединением выхода одного из них и входа другого.



Наиболее часто используют инструмент объединения Merge 2D или Merge 3D. Он выполняет роль центрального элемента, с помощью которого формируется единое изображение на выходе.

У узла объединения есть органы управления входами, включая настройки размера, положения и слияния. Изменять их можно на панели Inspector при выборе данного узла.

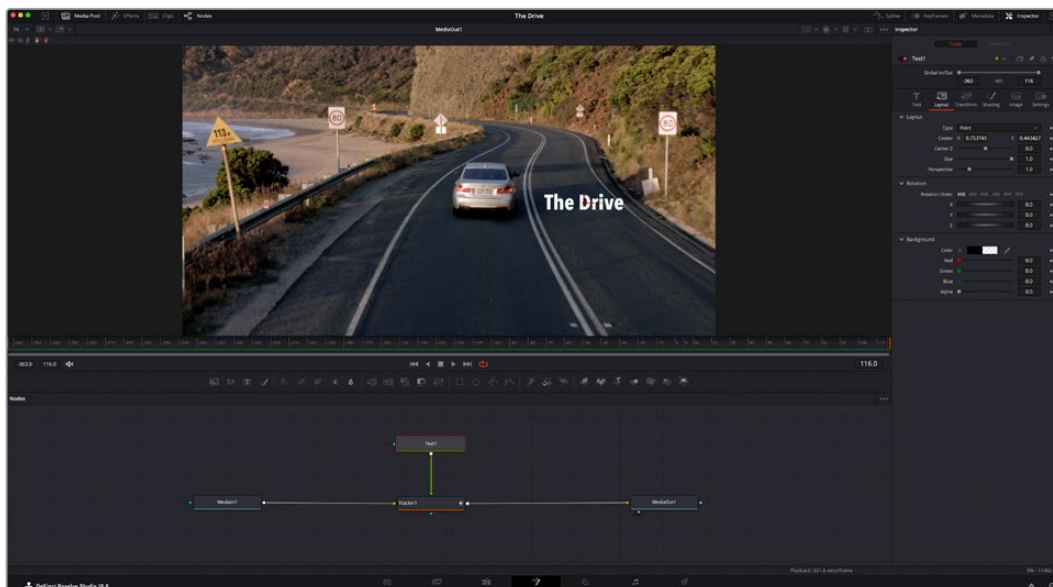
Над окном Nodes находится панель наиболее часто используемых инструментов. Чтобы добавить узел, можно либо выбрать соответствующий инструмент, либо перетащить его в окно. Чтобы увидеть полный набор инструментов, щелкните «Библиотека эффектов» в левом верхнем углу и разверните меню Tools. Все инструменты сгруппированы по категориям. Кроме того, в разделе Templates есть разные шаблоны, например Lens flares, Shaders и Backgrounds.

СОВЕТ. Если названия инструментов вам уже хорошо знакомы, удерживая клавишу SHIFT, можно нажать ПРОБЕЛ, чтобы открыть диалоговое окно Select Tool. По мере ввода названия будут предлагаться соответствующие подсказки. Таким способом легко быстро выбрать нужный инструмент.

Корректировка узлов с помощью панели Inspector

Изменить настройки узла можно на панели Inspector. Для этого выберите нужный узел, и на панели появятся его параметры и элементы управления.

На странице Fusion не обязательно отображать редактируемый узел в окне просмотра. Можно вносить изменения в один узел и одновременно просматривать другой. Например, при корректировке размера и положения узла Text+ будет показан узел объединения, что позволяет видеть текст на соответствующем фоне.



У выбранного узла появляется красный контур. На рисунке показаны элементы корректировки текста на вкладке Layout панели Inspector.

В зависимости от выполняемого задания на каждом узле можно настраивать разные параметры — от изменения размера и положения до корректировки числа частиц в узле Emitter. Расстановка ключевых кадров и установка настроек времени позволяют анимировать эффект.

Работа с ключевыми кадрами

Чтобы добавить ключевой кадр, на панели Inspector щелкните настройку правой кнопкой мыши и в контекстном меню выберите команду Animate. Значок ключевого кадра справа от настройки станет красным. Это означает, что ключевые кадры активированы и вносимые изменения будут касаться только текущего кадра. Для анимирования того или иного параметра необходимо по меньшей мере два ключевых кадра. Стрелки с обеих сторон значка ключевого кадра позволяют перемещать курсор в точное положение на монтажной линейке.



Анимирование ключевых кадров для параметра Size сглажено с помощью кривой Безье. Ее легко укоротить или удлинить посредством имеющихся на ней маркеров, а ключевой кадр можно передвинуть, используя квадратный значок.

На панели Spline есть дополнительные настройки для анимирования ключевых кадров. Можно, например, сгладить анимацию между первым и последним ключевым кадром с помощью кривой Безье. Для этого нужно нажать SHIFT+S или щелкнуть ключевой кадр правой кнопкой мыши и выбрать Smooth.

Трекер движения и добавление текста

На приведенном ниже примере объясняется трекинг объекта в клипе и добавление текста с использованием сохраненных данных отслеживания.

Инструмент Tracker отслеживает пиксели на осях X и Y и генерирует данные, которые можно использовать для добавления других элементов. Эта функция позволяет совмещать положение текста с движущимся объектом, например с едущим автомобилем или летящей в кадре птицей.

- 1 В библиотеке эффектов выберите Tracking > Tracker и перетащите инструмент на линию между узлами MediaIn и MediaOut. Теперь щелкните мышью на узле трекера, чтобы на панели Inspector появились его настройки.
- 2 Нажмите клавишу 1, чтобы вывести изображение узла Tracker в левое окно просмотра. В нем появится клип вместе с трекером в выбранном по умолчанию положении. Наведите указатель мыши на трекер, чтобы появился маркер. В левом верхнем углу трекера щелкните маркер и перетащите трекер в нужное место на клипе. Лучше всего он работает на участках с высоким контрастом (например, на эмблеме, расположенной на капоте автомобиля). Трекер увеличит область изображения, чтобы обеспечить более точную установку.
- 3 На панели Inspector щелкните кнопку Track Forward. По завершении трекинга появится соответствующее сообщение. Нажмите OK.

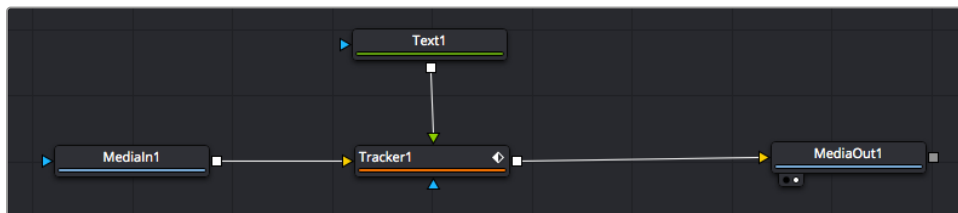


Кнопки управления на панели Inspector выполняют обратный трекинг от последнего или текущего кадра, остановку, а также прямой трекинг от текущего или первого кадра

СОВЕТ. Функция прямого или обратного трекинга от текущего кадра очень удобна в случаях, когда во время рендеринга отслеживаемый объект (например, автомобиль или птица) выходит из кадра. Это позволяет отслеживать только нужный эпизод.

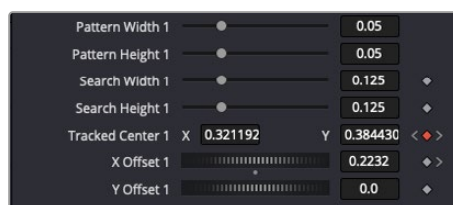
Сохраненные данные трекинга можно использовать для траектории перемещения текста.

- Щелкните значок узла Text+ на панели инструментов и перетащите его в окно Nodes, поместив рядом с узлом Tracker. Соедините выход узла Text с зеленым входом переднего плана в узле Tracker.



- Выберите узел Tracker и нажмите клавишу 1, чтобы увидеть полученный результат в левом окне просмотра. На панели Inspector узла Tracker откройте вкладку Operation. Щелкните меню Operation и выберите Match Move.
- Щелкните узел Text, чтобы на панели Inspector появились его настройки. Введите нужный текст в текстовое поле и измените шрифт, цвет и размер по желанию.

Данные положения будут перенесены с трекера на текст. Если нужно изменить параметры смещения текста, снова выберите вкладку Trackers на панели Inspector и внесите поправки с помощью прокрутки X Offset и Y Offset.



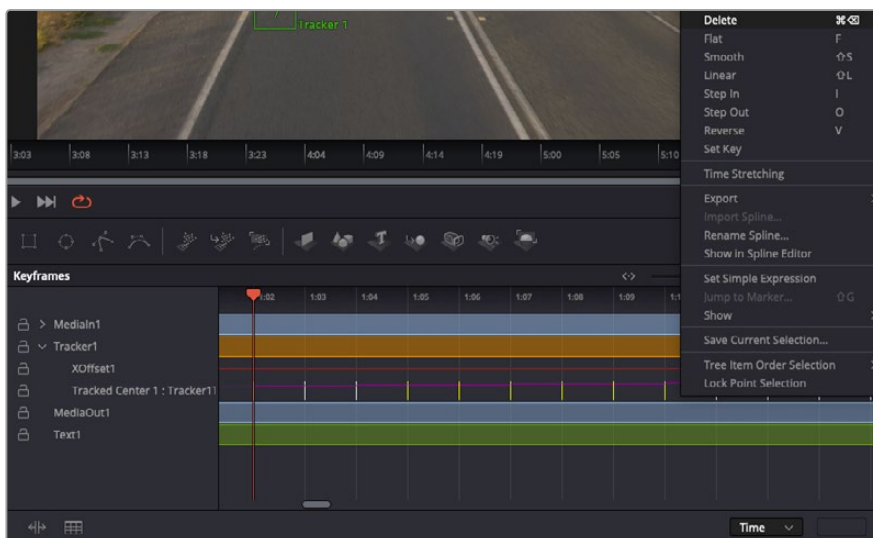
Ручки прокрутки в нижней части трекера позволяют настраивать смещение текста

Теперь можно воспроизвести всю композицию и увидеть текст вместе с объектом, для которого было выполнено отслеживание.



Зеленый квадрат показывает текущее положение трекера на зеленой траектории, а красная пунктирная линия обозначает положение смещения, использованное для анимации текста

В некоторых случаях необходимо удалить точки отслеживания (например, когда объект трекинга исчезает с экрана). Для этого используют редактор ключевых кадров.



- 7 Выберите Keyframes над панелью Inspector, чтобы открыть соответствующий инструмент. Все узлы с использованием ключевых кадров имеют обозначение в виде небольшой стрелки, а в списке ниже отображается только тот параметр, для которого добавлены ключевые кадры. Нажмите на значок увеличительного стекла и создайте рамку вокруг фрагмента для редактирования. Нажмите на значок увеличительного стекла и создайте рамку вокруг фрагмента для редактирования, чтобы облегчить работу.
- 8 Передвиньте курсор в расположение последнего ключевого кадра. После этого выберите ключевые кадры для удаления путем создания рамки вокруг них с помощью компьютерной мыши. Они будут выделены желтым цветом. Щелкнув правой кнопкой мыши, используйте команду Delete из меню.

COBET. Если эффекты требуют использования значительных компьютерных ресурсов, щелкните правой кнопкой мыши в области управления воспроизведением. В этом случае доступны просмотр прокси-материала и другие опции, которые позволяют оптимизировать вывод во время композитинга. Подробнее о воспроизведении см. руководство по DaVinci Resolve.

Анимирование текста с привязкой к движению в кадре закончено!

Когда в кадре есть двухмерная поверхность, которую нужно сделать более объемной или заменить, можно использовать плоскостной трекинг. Отслеживание 2D-областей позволяет менять текст в указателях или дорожных знаках, а также добавлять изображение на монитор компьютера или экран телевизора.

Подробнее о плоскостном трекинге и других инструментах страницы Fusion см. руководство по DaVinci Resolve.

COBET. При композитинге на странице Fusion необходимо учитывать измерение создаваемого эффекта (2D или 3D), потому что от этого зависит, какой инструмент Merge будет использоваться. Часто составное изображение имеет комбинацию двух- и трехмерных эффектов. В таких случаях следует помнить, что 3D-объекты требуют преобразования в 2D, если они будут объединены с 2D-элементами.

Страница Fusion имеет целый ряд инструментов для создания визуальных эффектов, а их сочетание со средствами монтажа, грейдинга и обработки звука делает приложение DaVinci Resolve исключительно мощной системой для решения творческих задач.

Создание мастер-копий

Теперь, когда закончены монтаж и грейдинг, добавлены визуальные эффекты и смикширован звук, видео можно выгрузить для всеобщего просмотра. Чтобы сохранить все содержимое временной шкалы в виде отдельного файла определенного формата, нажмите кнопку «Быстрый экспорт», выберите команду меню или перейдите на стр. «Экспорт», где есть дополнительные опции.



Для экспорта перейдите на страницу «Экспорт». Выберите видеоформат и кодек.

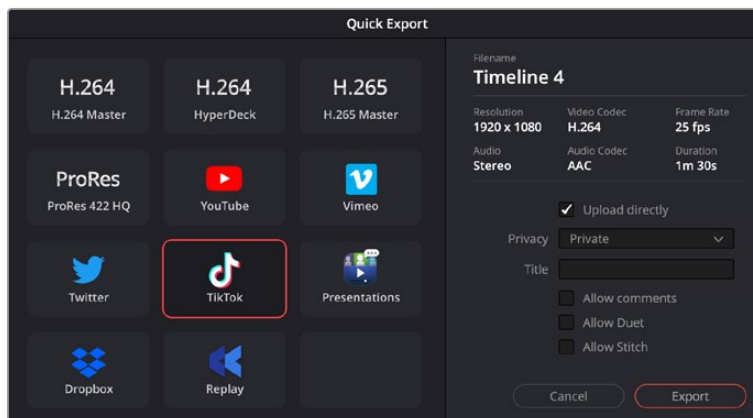
Быстрый экспорт

Чтобы экспортировать готовый материал с любой страницы приложения, выберите меню «Файл» > «Быстрый экспорт» и укажите желаемую предустановку. Кроме того, с помощью этой функции видео можно выгрузить на такие видеохостинговые сайты, как YouTube, Vimeo, Twitter и Frame.io.

Порядок быстрого экспорта

- 1 Чтобы отметить экспортируемый отрезок видео на стр. «Сборка», «Монтаж», Fusion или «Цвет», установите точки входа и выхода. Если их не добавлять, будет экспортирован весь эпизод на временной шкале.
Выберите меню «Файл» > «Быстрый экспорт».
- 2 В диалоговом окне быстрого экспорта укажите предустановку. Чтобы сразу выложить клип на платформу TikTok или YouTube, поставьте флажок напротив опции выгрузки материала и введите необходимую информацию. Нажмите кнопку экспорта.
- 3 Выберите папку для экспорта, введите имя файла и щелкните «Сохранить». Появится индикатор выполнения с указанием продолжительности экспорта.

ПРИМЕЧАНИЕ. При выгрузке клипов непосредственно на такие платформы, как TikTok, можно также войти в учетную запись с помощью соответствующих настроек, расположенных в системном меню пользовательских параметров DaVinci Resolve.



При выборе соответствующей опции и заполнении необходимой информации можно выгружать проекты на TikTok

Страница «Экспорт»

Она позволяет выбрать клипы для экспорта, их формат, кодек и разрешение. Создать конечную копию можно в форматах QuickTime, AVI, MXF и DPX с помощью 8-битных или 10-битных кодеков, таких как RGB/YUV, ProRes, DNxHD, H.264 и другие.

Порядок экспорта отдельного клипа

- 1 Откройте страницу «Экспорт».
- 2 Перейдите к окну «Настройки рендеринга» в левом верхнем углу страницы. Можно воспользоваться существующими опциями для экспорта с целью размещения на YouTube и Vimeo либо создать собственную конфигурацию. Например, после выбора YouTube можно щелкнуть на стрелке возле опции для экспорта и задать формат 1080р.

Кадровая частота будет привязана к настройкам проекта.

- 3 Под опциями отображается название файла с временной шкалы и поле «Место». Нажмите кнопку «Обзор», выберите нужную папку для сохранения экспортируемых файлов и перейдите в «Рендеринг» > «Един. клипа».
- 4 Непосредственно над временной шкалой есть раскрывающееся меню «Рендеринг» с двумя опциями. Оно служит для выбора всей шкалы либо определения ее диапазона. Выберите «В пределах диапазона», затем с помощью клавиш "I" и "O" задайте точки входа и выхода на временной шкале.
- 5 Внизу окна «Настройки рендеринга» нажмите кнопку «Добавить в очередь рендеринга».

Настройки рендеринга будут добавлены в панель «Очередь рендеринга» с правой стороны страницы. Теперь нажмите кнопку «Начать рендеринг» и выполнение задачи будет отображаться на панели «Очередь рендеринга».

После завершения рендеринга откройте папку, дважды щелкните кнопкой мыши на созданном клипе и просмотрите окончательную версию смонтированного материала.

Теперь, имея базовое понимание монтажа и цветокоррекции, микширования звука и добавления визуальных эффектов, вы можете дальше поэкспериментировать с разными функциями приложения. Подробнее о работе с разными инструментами см. руководство по DaVinci Resolve.

В приложении DaVinci Resolve Studio есть группа плагинов «Resolve FX: Восстановление». Их можно использовать для реставрации материала, оцифрованного с помощью устройства Cintel Scanner. Эти инструменты позволяют выполнить шумоподавление, а также удалить с клипов царапины, пятна и другие визуальные дефекты.

Автоматическое удаление загрязнения

Данный плагин выполняет анализ оптического потока. Это позволяет ему находить и устранять частицы грязи, пыли и повреждения пленки, которые влияют на качество одного или двух кадров. Вся обработка выполняется с сохранением детализации изображения и обеспечивает высокий уровень реставрации материала. Для использования плагина достаточно просто перетащить его на нужный кадр и выполнить настройку параметров.



Оригинальное изображение (слева) и кадр после применения плагина (справа)

ПРИМЕЧАНИЕ. Эффективность плагина ниже при устранении вертикальных царапин, расположенных в одном и том же месте на нескольких кадрах. Кроме того, он не позволяет удалять артефакты из-за загрязнения оптики.

Основные элементы управления

Основные элементы управления используют для настройки степени удаления обнаруженного на изображении загрязнения.

Тип определения движения

Доступны опции «Нет», «Быстрее», «Обычный» и «Качественнее». Они позволяют выбрать между скоростью обработки и ее качеством.

Соседние кадры

Эту настройку используют, чтобы задать количество кадров, проверяемых на наличие загрязнений. Чем больше кадров выбрано, тем медленнее скорость обработки, но выше результат поиска.

Степень исправления

Этот слайдер позволяет задать интенсивность использования плагина при удалении артефактов. Более высокая величина обеспечивает устранение практически всех обнаруженных проблем, тогда как низкая дает возможность удалить лишь незначительные загрязнения.

Порог размера пыли

Данный слайдер позволяет задать размер удаляемых частиц загрязнения. При выборе большой величины зернистость пленки и мелкие дефекты не будут считаться артефактами.

Показать маску исправления

Если поставить флажок в это поле, на экране появятся все обнаруженные артефакты. Это позволяет оценить эффективность применения плагина с разными параметрами.

Тонкая настройка

Эти настройки позволяют задать дополнительные параметры, чтобы как можно лучше удалить загрязнения и в то же время сохранить оригинальное изображение.

Порог движения

Этот слайдер позволяет задать порог распознавания артефактов в движении. Низкая величина означает меньше исправлений, а большая позволяет лучше удалять загрязнения, но при этом может приводить к появлению искажений в изображении движущихся объектов и при перемещении камеры.

Пропуск краев

Данный слайдер позволяет исключить из обработки резкие границы предметов при удалении артефактов. Чем выше значение, тем лучше сохраняются отчетливые очертания.

Устранение горячих пикселей

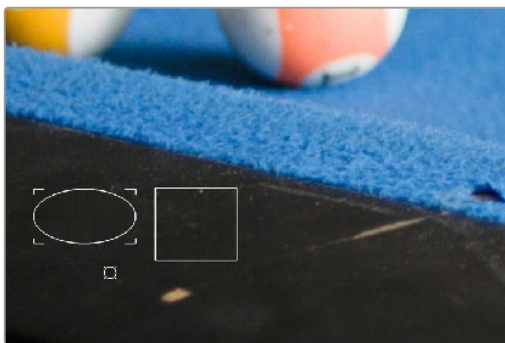
В случае обнаружения неподвижных пикселей определенного цвета или яркости в клипах со сканера или на импортированных изображениях их можно исправить, используя специальный фильтр в приложении DaVinci Resolve. Он позволяет обозначать такие пиксели, а затем выбирать способ их удаления.

Действия данного плагина и фильтра «Покадровое удаление пыли» очень схожи. Отличие заключается в том, что последний предназначен для удаления пыли и загрязнения только с одного или двух кадров, в то время как первый используется для очистки от неподвижных пятен целого клипа.

Порядок устранения горячих пикселей

- 1 Примените соответствующий фильтр и активируйте элементы управления OpenFX в окне просмотра.
- 2 В настройках фильтра выберите участок небольшого размера и щелкните по каждому пикселю, который нужно исправить. На изображение можно добавить любое количество участков.

Для смещения участка достаточно перетащить его на другое место. Чтобы удалить, по каждому из них следует щелкнуть, удерживая нажатой клавишу Option.



Участки для удаления горячих пикселей

Допускается использование сразу нескольких участков, при этом можно выбирать каждый из них по отдельности и задавать для него свои настройки.

Общие настройки

Элементы интерфейса, расположенные в верхней части панели, позволяют обозначать дефекты участками разной формы и контролировать их отображение в окне просмотра.

Форма участка

Для удаления из кадра разного рода артефактов можно использовать участки трех видов.

Прямоугольник

Для создания прямоугольного участка достаточно щелкнуть кнопкой мыши по изображению и перетащить курсор в другое место. Чтобы изменить положение фигуры, следует щелкнуть по ее краю и перетянуть.

Эллипс

Для создания участка в форме эллипса достаточно щелкнуть кнопкой мыши по изображению и перетащить курсор в другое место. Чтобы изменить положение фигуры, следует щелкнуть по ее краю и перетянуть.

Участок небольшого размера

Позволяет размещать небольшие участки, которые идеально подходят для устранения битых пикселей. При выборе этой опции появляется слайдер «Размер нового участка». С его помощью можно изменять размер участков перед тем, как помещать их на изображение. Чтобы передвинуть любой из них, следует щелкнуть по его краю и перетянуть.

Размер нового участка (появляется только при выборе соответствующей опции)

Он позволяет задавать размер участка, помещаемого на изображение.

Показывать участки

С помощью этой опции можно показывать или скрывать контуры участка в окне просмотра.

Скрывать при перемещении

Данная опция позволяет скрывать контуры участка при его перемещении в окне просмотра. Благодаря этой функции края участка не мешают отслеживать оказываемый эффект.

Тип участка

Исправить контент выбранного участка можно тремя способами. Предусмотренные в этой секции опции определяют тип добавляемого участка. Если он выбран, переключение его типа изменит способ устранения дефектов.

Пространство

Выбранный участок автоматически заполняется пикселями из прилегающего пространства. Это хорошо устраняет маленькие погрешности, но при удалении больших артефактов исправление можно заметить.

Клон

Данный способ позволяет заполнять участок пикселями из другой зоны. Сначала добавляют прямоугольник или эллипс на контент с погрешностями, а вторым щелчком определяют зону клонирования. После того, как указана форма участка и выбрана опция «Клон», на изображении можно размещать зоны заполнения и клонирования. Вторая из них обозначена пунктирной линией и присоединена к первой.

Комбин. клон

Этот способ похож на режим «Клон», но в данном случае скопированная зона изображения, используемая для заполнения участка, смешивается с оригинальным контентом для обеспечения более плавной интеграции.

Метод заполнения

Если используется тип «Пространство», эта опция позволяет выбрать способ устранения дефектов.

Сетка

Из прилегающих зон отбираются пиксели и используются для заполнения участка с размытием в горизонтальном и вертикальном направлениях. Данный метод очень эффективен для устранения мелких погрешностей. При удалении более крупных артефактов может просматриваться подобие сетки.

По горизонтали

Из зон, прилегающих слева и справа, отбираются пиксели и используются для заполнения участка с размытием.

По вертикали

Из зон, прилегающих сверху и снизу, отбираются пиксели и используются для заполнения участка с размытием.

Неоднородность

Из прилегающих к участку зон отбираются пиксели. Затем путем увеличения и сглаживания из них создается размытая неоднородная зона, которая используется для устранения артефактов. Какая-то определенная последовательность заполнения не предусмотрена, но этот метод позволяет получать исключительно хорошие результаты.

Сглаживание

Для устранения артефактов используется размытие по Гауссу.

Параметры участка

Эти опции позволяют корректировать эффект заполнения участка.

Отключение

Позволяет отключать участок с применением ключевых кадров. Используется для устранения погрешностей, которые появляются только на нескольких пикселях кадра.

Вариативность (активируется только при выборе типа «Пространство»)

При повышении этого параметра метод заполнения становится менее однородным.

Сглаживание краев

Позволяет регулировать сглаживание краев участка.

Изменение размера

Позволяет изменять размер участка после его создания.

Расширенные возможности управления

Данная секция содержит дополнительные настройки элементов интерфейса.

Привязка зоны к курсору

Если эта опция активирована и выбран режим «Клон» или «Комбин. клон», после добавления участка сразу происходит переключение на зону клонирования, что позволяет быстрее установить ее в нужное положение.

Участок остается выбранным

Если данная опция активирована, после добавления участка он остается выбранным, что позволяет сразу менять его настройки.

Толщина линий

Позволяет изменять толщину линий контуров.

Объект прикрепления

Этот параметр позволяет устранять битые пиксели и другие артефакты в клипах со стабилизацией движения.

Источник

Добавленные участки остаются неизменными до тех пор, пока не будет выполнена стабилизация движения в кадре. После этого участки трансформируются вместе с изображением, то есть они прикрепляются к объекту в исходном клипе.

Сцена

Если выполняется удаление артефакта с движущегося предмета, можно использовать функцию отслеживание эффектов. В этом случае участок будет перемещаться вместе с устраняемым дефектом.

Режим вывода

Позволяет выбирать разные виды отображения выполненных исправлений. Доступны четыре опции.

Исправленный вариант

Конечный вариант видео, в котором с помощью плагина удалены все обнаруженные дефекты.

Положения участков

Показывает белые контуры каждого участка на черном фоне.

Отличия

Показывает отличия между исправленным и оригинальным изображениями.

Увеличенные отличия

Показывает отличия в увеличенном виде.

Удаление мерцания

Плагин «Удаление мерцания» помогает исправлять такие помехи, как мерцание в клипах с замедленной съемкой, мигание флуоресцентных ламп, дрожание изображения на архивных пленках и даже бегущие на экране полосы, вызванные несоответствием скорости затвора камеры. Две основные характеристики данного фильтра заключаются в том, что он обрабатывает только резкие проходящие колебания света и исключительно в тех областях изображения, где они происходят, не затрагивая другие участки. Таким образом, с помощью этого плагина можно удалять недостатки, которые ранее считались неустранимыми.



Слева — оригинальное изображение, справа — после установки настройки мерцания на флуоресцентное освещение

Основные параметры

По умолчанию в верхней части панели плагина открыта одна настройка, которой обычно достаточно для выполнения нужных операций.

Настройки удаления мерцания

Две верхние опции меню — «Замедленная съемка» и «Флуоресцентное освещение» — являются предустановками, которые эффективно устраняют соответствующие артефакты мерцания. Если ни одна из них не удаляет недостатки должным образом, можно использовать третью опцию — «Дополн. элем. управления», которая открывает на панели плагина настройки «Временное шумоподавление» для более точной обработки.

Временное шумоподавление

По умолчанию эти настройки скрыты. Они появляются только при выборе опции «Дополн. элем. управления» в меню параметра «Настройки удаления мерцания» и служат для анализа движения в сцене, с тем чтобы правильно выявить и удалить мерцание по отношению к перемещению объектов и предметов в кадре.

Кадры с обеих сторон.

Указывает количество кадров для обнаружения движения. Высокое значение не гарантирует хороший результат. Настройка зависит от конкретной сцены. По умолчанию используется значение 3.

Тип движения

Способ обнаружения движущихся объектов в изображении. Какая из опций лучше для этого подходит, несмотря на названия, в немалой степени зависит от конкретной сцены. При использовании опции «Быстрее» не требуется мощный процессор, но и результат будет менее точным. Это, однако, может иметь положительный эффект, так как применение опции «Качественнее» для анализа детальных изображений иногда приводит к появлению ошибок. Данная опция позволяет точнее определять движение, но требует значительных ресурсов компьютера. Опция «Нет» отключает анализ движения и поэтому обеспечивает более быструю и правильную обработку фрагментов, в которых оно отсутствует. По умолчанию используется значение «Качественнее».

Диапазон движения

Имеется три настройки: «Малый», «Средний» и «Большой». Они определяют, какую скорость движения в кадре следует анализировать.

Порог яркости

Определяет значение, при превышении которого изменения яркости не будут считаться мерцанием. Диапазон настройки — от 0 до 100. При ноле мерцание не регистрируется, при 100 — удаляется любое мерцание. По умолчанию используется значение 100.

Порог цветности

Определяет значение, при превышении которого изменения цвета не будут считаться мерцанием. Диапазон настройки — от 0 до 100. При ноле мерцание не регистрируется, при 100 — удаляется любое мерцание. По умолчанию используется значение 100.

Синхр. яркости и цветности

Позволяет синхронизировать слайдеры порогов яркости и цветности.

Порог движения

Определяет значение, при превышении которого сдвиг не будет считаться мерцанием.

Параметры оптимизации скорости

Эта группа настроек, закрытая по умолчанию, содержит две опции.

Уменьшить детализацию анализа

Выбранная по умолчанию, данная опция снижает детализацию анализа для обнаружения мерцания. В большинстве случаев это позволяет повысить скорость обработки без визуальных отличий. Если в клипе содержатся мелкие детали, которые сглаживаются чрезмерно, отключите опцию.

Ограничить участок анализа

При включении этой опции открываются дополнительные настройки, с помощью которых можно контролировать появившееся на изображении окно, ограничивающее поиск мерцания. Данная функция помогает в двух случаях: когда мерцает только отдельный участок и ограничение анализа значительно ускоряет процесс или когда удаление мерцания чрезмерно сглаживает одну область, в то время как другая обрабатывается до нужной степени.

Восстановление первоначальных деталей после удаления мерцания

Эта группа настроек, закрытая по умолчанию, содержит две опции.

Восстановить детали

Слайдер позволяет изолировать зернистые участки, мелкие детали и острые края, которые не должны затрагивать удаление мерцания.

Выход

Меню настройки «Выход» позволяет выбирать варианты вывода результатов проведенной операции удаления мерцания. Доступные опции приведены ниже.

Результат удаления мерцания

Окончательный вариант без помех. Эта настройка используется по умолчанию.

Обнаруженное мерцание

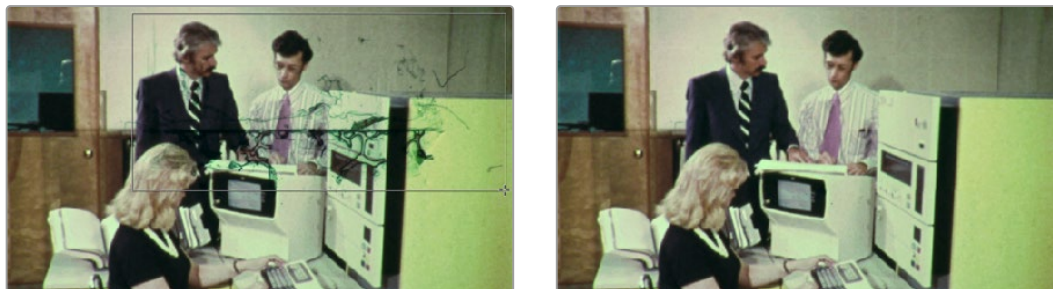
При включении данной опции отображается маска, показывающая области изображения, на которых обнаружено мерцание. Это помогает правильно выбрать участки для анализа. Отметки на маске, однако, могут быть едва заметны.

Увеличенное мерцание

Показывает преувеличенную версию маски обнаруженного мерцания, чтобы было легче видеть выполняемые плагином операции.

Покадровое удаление пыли

Этот плагин также позволяет удалять пыль, загрязнения и другие артефакты, но он предназначен только для тех случаев, когда автоматическое удаление не дало желаемого результата. При его использовании выделяют проблемные участки поочередно во всех затронутых кадрах клипа. После этого погрешности изображения (пыль, загрязнения и большие пятна) устраняются максимально эффективным способом.



Выделение зоны для обработки оригинального изображения (слева) и результат использования плагина (справа)

Действия плагинов для устранения битых пикселей и покадрового удаления пыли очень схожи. Отличие заключается в том, что последний предназначен для удаления пыли и загрязнения только с одного или двух кадров, в то время как первый используется для очистки от неподвижных пятен целого клипа.

Общая информация

Элементы интерфейса, расположенные в верхней части панели, позволяют обозначать на кадре частицы пыли и загрязнения участками разной формы и контролировать их отображение в окне просмотра.

Навигация

Для быстрого перехода к кадрам, на которые добавлены участки, предусмотрены четыре кнопки.

Первый измененный кадр

Перемещает курсор воспроизведения на первый кадр, содержащий участок.

Предыдущий измененный кадр

Перемещает курсор воспроизведения на предыдущий кадр, содержащий участок.

Следующий измененный кадр

Перемещает курсор воспроизведения на следующий кадр, содержащий участок.

Последний измененный кадр

Перемещает курсор воспроизведения вперед на последний кадр, содержащий участок.

Форма участка

Для удаления из кадра разного рода артефактов можно использовать участки трех видов.

Прямоугольник

Для создания прямоугольного участка достаточно щелкнуть кнопкой мыши по изображению и перетащить курсор в другое место. Чтобы изменить положение фигуры, следует щелкнуть по ее краю и перетянуть.

Эллипс

Для создания участка в форме эллипса достаточно щелкнуть кнопкой мыши по изображению и перетащить курсор в другое место. Чтобы изменить положение фигуры, следует щелкнуть по ее краю и перетянуть.

Участок небольшого размера

Позволяет размещать небольшие участки, которые идеально подходят для устранения горячих пикселей. При выборе этой опции появляется слайдер «Размер нового участка». С его помощью можно изменять размер участков перед тем, как помещать их на изображение. Чтобы передвинуть любой из них, следует щелкнуть по его краю и перетянуть.

Размер (появляется только при выборе опции «Участок»)

Он позволяет задавать размер участка, помещаемого на изображение.

Показывать участки

С помощью этой опции можно показывать или скрывать контуры участка в окне просмотра.

Скрывать при перемещении

Данная опция позволяет скрывать контуры участка при его перемещении в окне просмотра. Благодаря этой функции края участка не мешают отслеживать оказываемый эффект.

Тип участка

Исправить контент выбранного участка можно шестью способами. Предусмотренные в этой секции опции определяют тип добавляемого участка. Если он выбран, переключение его типа изменит способ устранения дефектов.

Автом

Эта опция используется по умолчанию. При выделении нужной зоны выполняются анализ и сравнение двух кадров до и после текущего изображения. Лучший из пяти кадров служит в качестве образца для удаления артефактов в текущем кадре. Чтобы избежать появления зернистости, приоритет отдается кадрам № 1, 3 и 5, но только в том случае, если они подходят по контенту.

+/- 1 кадр

В этом режиме при выделении зоны слева направо для удаления артефактов будет использоваться следующий кадр, справа налево — предыдущий.

+/- 2 кадра

При выделении зоны слева направо для удаления артефактов будет использоваться изображение следующего через один кадра, справа налево — из кадра, предшествующего предыдущему.

Пространство

Выбранный участок автоматически заполняется пикселями из прилегающего пространства. Это хорошо устраняет маленькие погрешности, но при удалении больших артефактов исправление можно заметить.

Клон

Данный способ позволяет заполнять участок пикселями из другой зоны. Сначала добавляют прямоугольник или эллипс на контент с погрешностями, а затем выбирают зону клонирования. После того, как указана форма участка и выбрана опция «Клон», на изображении можно размещать зоны заполнения и клонирования. Вторая из них обозначена пунктирной линией и присоединена к первой.

Комбин. клон

Этот способ похож на режим «Клон», но в данном случае скопированная зона изображения, используемая для заполнения участка, смешивается с оригинальным контентом для обеспечения более плавной интеграции.

Метод заполнения

Если используется тип «Пространство», эта опция позволяет выбрать способ устранения дефектов.

Сетка

Из прилегающих зон отбираются пиксели и используются для заполнения участка с размытием в горизонтальном и вертикальном направлениях. Данный метод очень эффективен для устранения мелких погрешностей. При удалении более крупных артефактов может просматриваться подобие сетки.

По горизонтали

Из зон, прилегающих слева и справа, отбираются пиксели и используются для заполнения участка с размытием.

По вертикали

Из зон, прилегающих сверху и снизу, отбираются пиксели и используются для заполнения участка с размытием.

Неоднородность

Из прилегающих к участку зон отбираются пиксели. Затем путем увеличения и сглаживания из них создается размытая неоднородная зона, которая используется для устранения артефактов. Какая-то определенная последовательность заполнения не предусмотрена, но этот метод позволяет получать исключительно хорошие результаты.

Сглаживание

Для устранения артефактов используется размытие по Гауссу.

Параметры участка

Эти опции позволяют корректировать эффект заполнения участка.

Отключение

Позволяет отключать участок с применением ключевых кадров. Используется для устранения погрешностей, которые появляются только на нескольких пикселях кадра.

Вариативность

Активируется только при выборе типа «Пространство». При повышении этого параметра метод заполнения становится менее однообразным.

Сглаживание краев

Позволяет регулировать сглаживание краев участка.

Изменение размера

Позволяет изменять размер участка после его создания.

Дополнительные элементы управления

Данная секция содержит дополнительные настройки элементов интерфейса.

Привязка зоны к курсору

Если эта опция активирована и выбран режим «Клон» или «Комбин. клон», после добавления участка сразу происходит переключение на зону клонирования, что позволяет быстрее установить ее в нужное положение.

Участок остается выбранным

Если данная опция активирована, после добавления участка он остается выбранным, что позволяет сразу менять его настройки.

Толщина линий

Позволяет изменять толщину линий контуров.

Режим вывода

Позволяет выбирать разные виды отображения выполненных исправлений. Доступны четыре опции.

Исправленный вариант

Конечный вариант видео, в котором с помощью плагина удалены все обнаруженные дефекты.

Положения участков

Показывает белые контуры каждого участка на черном фоне.

Отличия

Показывает отличия между исправленным и оригинальным изображениями.

Увеличенные отличия

Показывает отличия в увеличенном виде.

Шумоподавление

Так же, как и средства шумоподавления, расположенные на стр. «Цвет», данный плагин предусматривает два метода удаления из клипов помех с использованием GPU-ускорения. Оба способа можно применять вместе или раздельно. Все зависит от поставленных задач и обрабатываемого материала.

Настройки временного шумоподавления

Чтобы отделить шум от остальных деталей, используют временное шумоподавление с анализом нескольких кадров изображения. Настройки определения движения позволяют исключить из обработки движущиеся объекты, чтобы не допустить появления нежелательных артефактов.

Кадры с обеих сторон

Количество кадров в диапазоне от 0 до 5, применяемых для усреднения с целью отделения шума от остальных деталей изображения. При значении 0 усредненное число кадров не используется. Чем выше настройка, тем больше кадров обрабатывается, однако при этом также растет потребность в ресурсах для выполнения вычислений. Более высокое значение часто обеспечивает более точный анализ, но может привести к появлению нежелательных артефактов при быстром движении в кадре. В этом случае лучше выбрать значение 1. При появлении артефактов с высоким количеством кадров попробуйте изменить настройки порога движения.

Тип опр. движения

Способ обнаружения движущихся объектов в изображении. По умолчанию используется опция «Быстрее», при которой обработка требует меньше ресурсов, но является менее точной. Опция «Качественнее» обеспечивает более точную обработку за счет более интенсивного использования процессора. «Нет» позволяет отключить определение движения и применить временное шумоподавление целиком ко всему изображению.

Диапазон движения

Три опции («Малый», «Средний», «Большой») позволяют задать скорость движения, при которой объекты будут исключаться из обработки. Опцию «Малый» используют для медленно движущихся объектов с незначительной размытостью или без нее, чтобы применить временное шумоподавление к большей части изображения при установленном пороге движения. Опция «Большой» предназначена для быстро движущихся объектов с размытостью, занимающих значительную часть изображения, исключаемую при установленном пороге движения. Выберите ту опцию, которая обеспечит наилучший баланс между шумоподавлением и появлением артефактов движения при корректировке порога движения.

Настройки временного порога

Параметры временного порога позволяют выбирать характеристики изображения, к которым будет применено шумоподавление.

Яркость

Позволяет задать степень временного шумоподавления для яркостного компонента. Возможный диапазон значений от 0 до 100, где 0 означает отсутствие шумоподавления, а 100 — максимальную обработку. Слишком высокая настройка ведет к утрате мелких деталей изображения.

Цветность

Позволяет задать степень временного шумоподавления для цветности изображения. Возможный диапазон значений от 0 до 100, где 0 означает отсутствие шумоподавления, а 100 — максимальную обработку. При слишком высокой настройке удаляются мелкие детали цвета, хотя для настройки цветности порог, при котором появляются артефакты, будет выше, чем для настройки яркости.

Синхр. яркости и цветности

Обычно эти настройки связаны между собой, поэтому при изменении одного параметра меняется и другой. Чтобы применить шумоподавление к разным компонентам изображения, эту зависимость можно отключить, сняв флажок с данной опции.

Движение

Задаёт численный порог для разделения пикселей на движущиеся (выше порога) и статичные (ниже порога). При определении движения временное шумоподавление не применяется к тем участкам изображения, которые выходят за пороговое значение. Это позволяет избежать артефактов за счёт исключения из анализа усреднённого значения кадров для движущихся объектов. Низкие значения исключают из обработки значительную часть изображения, потому что учитывается даже небольшая степень движения. Высокие значения обеспечивают временное шумоподавление на значительной части изображения путём исключения участков со значительной степенью движения. Возможный диапазон от 0 до 100, где 0 означает отсутствие временного шумоподавления, а 100 — применение ко всем пикселям. Значение по умолчанию 50 подходит для многих клипов. Обратите внимание, что при слишком высоких значениях будут заметны артефакты в движущихся частях изображения.

Смешение

Сглаживает различие между изображением, к которому применяется временное шумоподавление (при 0,0), и изображением без обработки (100,0). Эта настройка позволяет найти усреднённое значение при интенсивном использовании временного шумоподавления.

Настройки пространственного шумоподавления

Эти настройки позволяют сглаживать участки высокочастотного шума с одновременным сохранением деталей. Они полезны в том случае, когда временное шумоподавление не даёт нужного результата.

Режим

Это меню обеспечивает доступ к трём алгоритмам пространственного шумоподавления. Все они имеют одинаковые инструменты контроля, поэтому при переключении между ними можно сравнивать эффективность применения одних и тех же настроек.

Быстрее

Данный режим не требует больших ресурсов для вычисления. Он эффективен при низких значениях, но может вызывать появление артефактов при больших значениях.

Качественнее

В данном случае применяется более мощный алгоритм. Результат получается гораздо лучше, чем при выборе опции «Быстрее». Это достигается за счёт того, что используется больше ресурсов, а также не допускается отключение синхронизации порогов яркости и цветности для отдельной настройки каждого компонента.

Улучшенный режим

В данном режиме во время шумоподавления при повышенных значениях пространственного порога резкость и детализация изображения сохраняются гораздо лучше. Более качественный результат особенно заметен при высоких значениях порога,

которые разнятся в зависимости от обрабатываемого материала. При низких параметрах порога улучшения могут быть не так хорошо видны по сравнению с режимом «Качественнее», хотя он и требует меньше ресурсов, чем «Улучшенный». Кроме того, эта опция допускает отключение синхронизации порогов яркости и цветности, что позволяет выполнять отдельную настройку каждого компонента.

Радиус

Три возможные опции: «Большой», «Средний» и «Малый». Малый радиус обеспечивает высокую производительность и хорошее качество при низких параметрах яркости и цвета. При использовании низких пороговых значений это также может вызывать искажения в областях детализации.

Чем больше радиус, тем лучше результаты на участках с высокой детализацией при высоких пороговых значениях яркости и цвета, однако это ведет к снижению скорости обработки. Как правило, опция «Средний» дает возможность получить приемлемое качество изображения при использовании средних пороговых значений шумоподавления. Как и во многих других случаях, необходимо найти оптимальный баланс между качеством и скоростью.

Настройки пространственного порога

Параметры пространственного порога позволяют выбирать характеристики изображения, к которым будет применено шумоподавление.

Яркость

Позволяет задать степень шумоподавления для яркостного компонента. Возможный диапазон значений от 0 до 100, где 0 означает отсутствие шумоподавления, а 100 — максимальную обработку. Слишком высокая настройка ведет к утрате мелких деталей изображения.

Цветность

Позволяет задать степень шумоподавления для цветности изображения путем сглаживания участков высокочастотного шума с одновременным сохранением резкости значимых деталей. Возможный диапазон значений от 0 до 100, где 0 означает отсутствие шумоподавления, а 100 — максимальную обработку. При слишком высокой настройке удаляются мелкие детали цвета, хотя для настройки цветности порог, при котором появляются артефакты, будет выше, чем для настройки яркости.

Синхр. яркости и цветности

Обычно эти настройки связаны между собой, поэтому при изменении одного параметра меняется и другой. Чтобы применить шумоподавление к разным компонентам изображения, эту зависимость можно отключить. Например, если изображение утрачивает резкость при текущем уровне шумоподавления, но имеет больше цветового шума, чем яркостного, можно уменьшить значение яркости для сохранения деталей и увеличить значение цветности для устранения цветowych погрешностей.

Смешение

Сглаживает различие между изображением, к которому применяется пространственное шумоподавление (при 0,0), и изображением без обработки (100,0). Эта настройка позволяет найти усредненное значение при интенсивном использовании пространственного шумоподавления.

Глобальное смешение

Смешение

Сглаживает различие между изображением, к которому применяется пространственное и временное шумоподавление (при 0,0), и изображением без обработки (1,0).

Шумоподавление

Ниже приведена последовательность настройки шумоподавления для получения контролируемого результата.

Применение шумоподавления к изображению

- 1 В секции «Временное шумоподавление» выберите значение от 1 до 5 в меню «Кадры с обеих сторон». Помните о том, что высокое значение значительно увеличивает время рендеринга, но при этом в зависимости от материала может лишь незначительно улучшить конечное качество.
- 2 Выберите опции в меню «Тип опр. движения» и «Диапазон движения» в зависимости от интенсивности движения в кадре. При высокой степени используйте опции «Качественнее» и «Большой». При слабой интенсивности могут подойти меньшие значения.
- 3 Убедитесь, что пороги яркости и цветности синхронизированы, а затем медленно повышайте любой параметр, пока не увидите уменьшение шума на неподвижных участках. Постепенно увеличивайте значения, чтобы определить максимальную степень эффекта, не вызывающую появления артефактов или чрезмерного сглаживания деталей.
- 4 Если в изображении больше цветового шума, чем яркостного, можно отключить привязку параметров друг к другу при удовлетворительном подавлении яркостного шума. После этого увеличьте значение «Цветность» для обработки погрешностей цвета.
- 5 Если не удастся найти нужный баланс между устранением шума и появлением артефактов, измените пороговое значение движения. Его можно уменьшить, чтобы исключить из обработки больше участков с движущимися объектами, или, наоборот, увеличить. Если искомый результат не получен, попробуйте использовать другую комбинацию опции «Качественнее» для «Тип опр. движения» и настройки «Диапазон движения».

Помните, что настройки временного шумоподавления снижают шум на статичных участках изображения. При достижении оптимального баланса между шумоподавлением в статичных зонах и появлением артефактов в областях движения используйте временное шумоподавление для дальнейшей обработки остальной части изображения.

- 6 Примените пространственное шумоподавление посредством увеличения порога яркости или цвета, пока не достигнете оптимального баланса между устранением шума и нежелательным уменьшением резкости изображения.
- 7 Рекомендуется в меню «Режим» секции пространственного шумоподавления выбирать опцию «Улучшенный», так как она дает наилучший результат. Такая обработка является довольно ресурсоемкой, поэтому для ее ускорения в реальном времени можно выбрать режим «Быстрее» и затем сравнить качество.
- 8 Если в изображении больше цветового шума, чем яркостного, можно отключить привязку параметров друг к другу при удовлетворительном подавлении яркостного шума. После этого увеличьте значение порога цвета для более интенсивной обработки погрешностей цвета.
- 9 Если для снижения шума вы использовали высокое пороговое значение яркости или цвета в настройках пространственного шумоподавления, а области детализации содержат погрешности и искажения, выберите более высокую настройку радиуса для более детального анализа сцены.

Это улучшит качество изображения, но потребует больше ресурсов процессора. Если графическая карта компьютера не рассчитана на подобную нагрузку, производительность в режиме реального времени может снизиться.

- 10 Если подходящие настройки шумоподавления найдены, но изображение выглядит недостаточно естественным, попробуйте увеличить значение смещения в настройках пространственного и (или) временного шумоподавления для смешивания обработанного и первоначального изображения.

Последовательное использование временного и пространственного шумоподавления

При временном шумоподавлении наличие нежелательного шума проверяется сразу в нескольких кадрах, поэтому детали лучше сохраняются в тех участках изображения, где движение почти отсутствует. Успешное использование временного шумоподавления на первом этапе (даже на части изображения) позволяет уменьшить объем применяемого пространственного шумоподавления на втором этапе и тем самым улучшить общее качество конечного результата.

Важно помнить, что хотя временное шумоподавление отлично справляется с неподвижными участками изображения, оно менее эффективно при обработке движущихся объектов. Пространственное шумоподавление способно уменьшить шум ниже порогового значения в любой части кадра даже при наличии движения. В итоге комбинация этих двух функций почти всегда позволяет добиться наилучшего результата.

Выбор радиуса пространственного шумоподавления

Увеличение радиуса шумоподавления может значительно улучшить качество участков с высокой детализацией в кадрах, где использовано интенсивное подавление пространственного шума. Однако не обязательно всегда выбирать большой радиус, обеспечивающий самую высокую точность. Во многих случаях при анализе изображения необходимость применения шумоподавления для улучшения качества оценивается неверно. Таким образом, время будет напрасно потрачено на ненужную коррекцию.

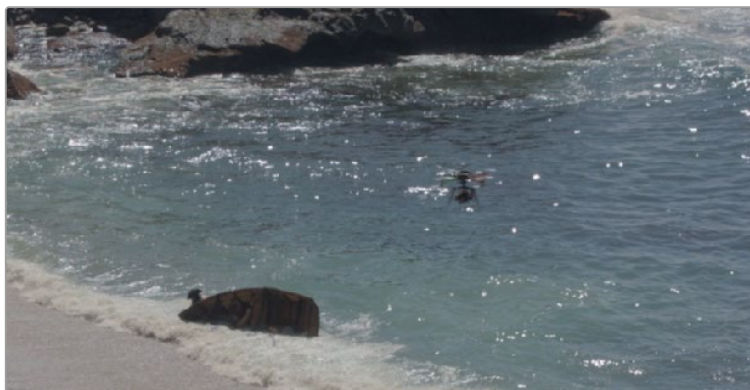
Рекомендуется оценивать полнокадровое изображение на дисплее достаточно большого размера, чтобы видеть обрабатываемый шум со стороны целевой аудитории. Чрезмерное увеличение масштаба клипа во время применения шумоподавления может привести к использованию более высоких настроек качества, чем необходимо, так как слишком укрупненные детали изображения позволяют увидеть мелкие недостатки, которые незаметны в реальном размере.

Удаление объекта

Плагин «Удаление объекта» рекомендуется применять на странице «Цвет». Он использует платформу DaVinci Neural Engine для автоматического удаления объекта в кадре. Этот плагин лучше всего работает при удалении движущегося объекта на стабильном фоне или при устранении частиц загрязнения на объективе во время съемки в движении. Чем меньше обрабатываемый объект, тем проще добиться хороших результатов, но многое зависит от качества отснятого материала. Весь процесс показан ниже на простом примере.

Порядок удаления движущегося объекта из клипа

- 1 В этом фрагменте дрон летит в кадре в течение продолжительного времени. Чтобы удалить дрон, обозначим его с помощью специальной зоны, а затем используем плагин «Удаление объекта».



Оригинальный снимок с дроном, который нужно удалить

В простых ситуациях проще всего применить эффект удаления объекта к узлу коррекции, так как это позволяет на данном узле использовать зону или квалификатор, чтобы изолировать удаляемый элемент. Мы это и сделаем.

- 2 Используйте панель «Окно», чтобы обозначить область вокруг объекта, который необходимо удалить. Для получения наилучших результатов постарайтесь, чтобы границы зоны или маски находились поближе к удаляемому компоненту.
- 3 Используйте отслеживание или создайте ключевые кадры, чтобы зона перемещалась вместе с объектом, который необходимо устранить. Для достижения оптимального результата границы зоны должны отличаться плавностью и располагаться поближе к удаляемому объекту.

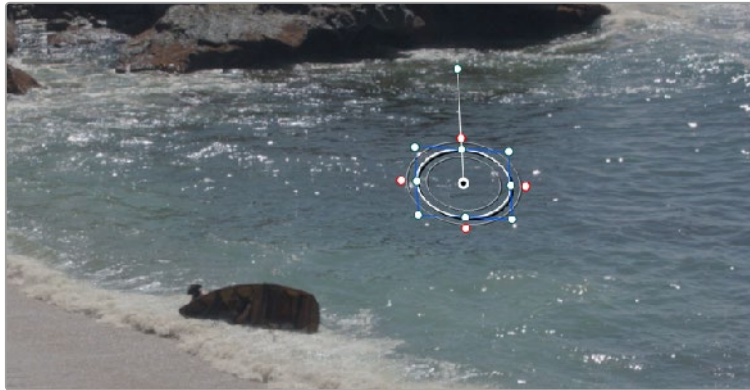


Объект, который необходимо удалить, обозначен с помощью зоны

- 4 Перетащите плагин удаления объекта на узел, в котором вы только что изолировали удаляемый компонент.

- 5 Параметр «Использовать альфа-канал OFX» будет автоматически активирован в контекстном меню узла, что позволит плагину использовать слой кеинга, созданный в этом узле.
- 6 Нажмите кнопку «Анализ сцены» и дождитесь завершения анализа. Если удаляемый объект движется, но камера находится в зафиксированном положении, для улучшения результата можно поставить флажок в поле «Движение отсутствует».

Если материал идеально подходит для удаления объекта, он исчезнет после завершения анализа и будет заменен безупречным фоном, воссозданным из деталей, заимствованных из соседних кадров.

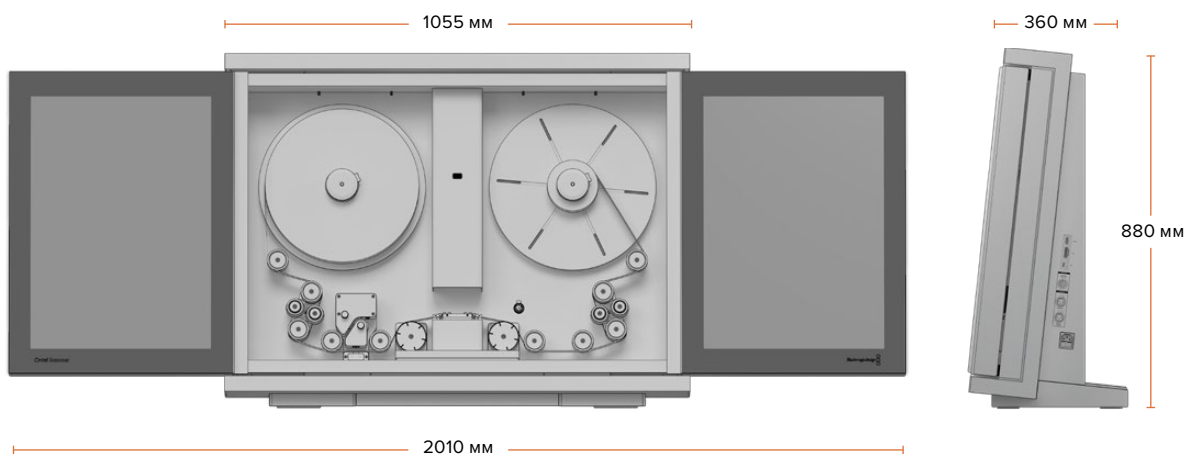


Результат после завершения анализа удаления объекта

Эффективность удаления объектов с помощью плагина во многом зависит от характера видеоряда, и хороший результат не всегда легко получить. Появление серого ореола вокруг маски удаления объекта или заполнение ее сплошным серым цветом свидетельствуют о наличии проблем. Серым показаны области, где текущие настройки не позволяют обнаружить фон для заполнения удаляемого участка изображения. В таких случаях есть два решения проблемы.

- Если при просмотре анализа результата видно, что маска удаления объекта имеет серый ореол на некоторых кадрах, можно изменить настройку слайдера «Диапазон поиска». Он регулирует расстояние от текущего кадра, на котором плагин удаления объекта ищет детали для замены изображения. Например, если выбрано значение 20, для поиска используются 20 кадров до и после текущего места, то есть всего 40 кадров. Допуск 10 кадров означает, что просматривается каждый 4-й кадр. Как правило, наилучших результатов можно достичь при использовании наименьшего диапазона, который позволяет обеспечить приемлемый конечный вид изображения.
- Если маска удаления объекта на некоторых кадрах полностью заполнена серым цветом, это означает, что для этих участков изображения не удалось создать фоновый контент. В этом случае можно попробовать нажать кнопку «Создать чистую пластину», которая использует функцию создания фона для заполнения изображения методом подбора и использует его для подходящих кадров.
- Если заполнение области успешно выполнено, но результат плохо сочетается с фоном, стоит попробовать изменить режим смешения. По умолчанию установлена настройка «Линейный», использующая простое клонирование. Однако также можно выбрать настройку «Адаптивное смешение», которая поможет добиться лучших результатов, за исключением определенных ситуаций, когда края заменяемого участка отличаются от фона по цвету или яркости.
- Меню «Режим сцены» предоставляет различные методы анализа движения области, которую необходимо заменить, чтобы лучше определить, как заполнить зону на месте удаляемого объекта. При выборе параметра «Фон» выполняется анализ изображения целиком за исключением области объекта. Если используется «Граница», исследуется граничная область, окружающая зону объекта. Опция «Объект» предназначена для анализа объекта, который движется одновременно с фоном, по аналогии со стикером, который приклеен к окну во время перемещения камеры.

Технические характеристики



Вес: 60 кг (без загруженного носителя). Размеры при установке на стене: высота — 785 мм, глубина — 265 мм.

Функциональные возможности

Виды киноплёнки

— позитивная, негативная, интерпозитивная и интернегативная

— черно-белая и цветная

Форматы плёнки

— 35 мм:
2, 3 или 4 перфорации на кадр

— Super 35:
2, 3 или 4 перфорации на кадр

— 16 мм

— Super 16

— 8 мм

— Super 8

Оригинальное разрешение

4096 x 3072

Эффективное разрешение¹

3840 x 2880 — Super 35

3390 x 2465 — Standard 35

3390 x 2865 — Anamorphic 35

1903 x 1143 — Super 16

1581 x 1154 — Standard 16

892 x 638 — Super 8

752 x 567 — Standard 8

Звук

Извлечение звука из сканируемого изображения

Форматы HDMI

3840 x 2160 Ultra HD

или 1920 x 1080 HD

(автоматический выбор в соответствии с разрешением экрана)

Удаление загрязнений и царапин

— с помощью диффузного источника света

— с использованием чистящих роликов

Установка

— на стене или рабочем столе

Динамический диапазон

— Обычный режим:
12 ступеней

— Сканирование в HDR:
до 3,5 дополнительных ступеней

Обработка плёнки

Непрерывное движение

Скорость сканирования

от 1 до 30 кадров/с

Перемотка

1–100 кадров/с (35 мм)

1–200 кадров/с (16 мм)

Допустимая усадка плёнки

До 2%, выше при деликатной обработке

Ускорение

5–30 кадров/с за секунду

Максимальная длина плёнки

610 м (35 мм)

Разъемы

Видеовыход HDMI

Один HDMI 1.4 (4:2:2 10 бит)
для просмотра изображения

Другие подключения

XLR6

Подключение к компьютеру²

— Thunderbolt™ 3 (для захвата
изображения и звука),

USB-C (для обновления ПО
и питания мощностью 15 Вт
с напряжением 5 В)

— 4-линейная плата PCI
Express второго поколения

Выход для двухтактной синхронизации и тайм-кода³

— Двухтактный сигнал (4,5 В
постоянного напряжения)

— Тайм-код (1,5 В постоянного
напряжения)

— Поддержка тайм-кода для
частот 24, 25 и 30 fps

Аналоговые аудиовходы

Два канала балансного
аналогового звука
профессионального
качества через разъемы
XLR с уровнем 10 dBV и
преобразованием частоты
дискретизации

Аудиовход AES/EBU

Два канала с
преобразованием частоты
дискретизации через
разъем XLR

¹ Разрешение только в зоне обрезанного изображения.

² Cintel Scanner имеет только порт Thunderbolt 2.

³ Только Cintel Scanner 2 или более поздняя версия.

Требования по питанию

Диапазон напряжения

90–240 В переменного тока

Мощность

200 Вт

Предохранитель

T5AL' 20 мм

Оптимальные условия обработки пленки

Рабочая температура

18–28 °C

Относительная влажность

до 65% (без конденсации)

Операционные системы

Mac, Windows и Linux

Дополнительные принадлежности

— Cintel Audio and
KeyCode Reader

— Cintel Scanner
16mm Gate HDR

— Cintel Scanner
8mm Gate HDR

— Cintel Scanner
35mm Gate HDR

— Cintel Cleaning Roller Kit

— Blackmagic PCI
Express Cable Kit

Audio and KeyCode Reader

Эквализация

Оптический аудиосигнал по стандарту SMPTE, магнитный по стандарту IEC

Скорость считывания футажного кода

Любая

Тип источника освещения

Deep RED для считывания оптического звука и кода

Скорость сканирования звука

От 6 fps до 125% от выбранной частоты кадров

(например, при 24 fps максимальная скорость сканирования — 30 кадров/с, для 16-мм пленки минимальная скорость — 12 кадров/с)

Типы оптического аудиосигнала

- переменная зона
- переменная плотность

Частота дискретизации и битовая глубина

48 кГц, 24 бит (PCM-файлы с расширением .WAV)

Оптический звук 35-мм пленки

Диапазон частот

от 40 Гц до 16 кГц \pm 2 дБ

Соотношение сигнал/шум⁴

Прозрачная основа: -65 дБ

Детонация⁵

< 0,15%

Оптический звук 16-мм пленки

Диапазон частот

от 40 Гц до 7 кГц \pm 2 дБ

Соотношение сигнал/шум⁴

Прозрачная основа: -65 дБ

Детонация⁵

< 0,3%

Магнитная полоса с единичной перфорацией на 16-мм пленке

Давление на пленку

15 г

Диапазон частот⁶

от 32 Гц до 14 кГц \pm 2 дБ

Соотношение сигнал/шум⁴

-55 дБ

Детонация⁵

< 0,3%

Уровень полной модуляции

-18 dBFS

Уровень наушников⁷

-18 dBu при нагрузке 50 Ом

Аудиоразъем

XLR6

Подключение к компьютеру

Порт USB-C для обновления программного обеспечения

Потребляемая мощность

Мощность 10 Вт при напряжении перем. тока 12 В

Размеры

Высота: 156 мм

Ширина: 92 мм

Глубина: 106 мм

Вес: 1,35 кг

⁴ Соотношение сигнал/шум (SnR) определяется с помощью шумоизмерительного комплекта.

⁵ Детонация измеряется по стандарту IEC 386.

⁶ Диапазон частот магнитного звука составляет 20–20 кГц, однако испытания этого показателя не проводились.

⁷ Параметры выходного сигнала наушников указаны только для примера.

Соблюдение нормативных требований



Утилизация электрооборудования и электронной аппаратуры в Европейском Союзе

Изделие содержит маркировку, в соответствии с которой его запрещается утилизировать вместе с бытовыми отходами. непригодное для эксплуатации оборудование необходимо передать в пункт вторичной переработки.

Раздельный сбор отходов и их повторное использование позволяют беречь природные ресурсы, охранять окружающую среду и защищать здоровье человека. Чтобы получить подробную информацию о порядке утилизации, обратитесь в местные муниципальные органы или к дилеру, у которого вы приобрели это изделие.



Данное оборудование протестировано по требованиям для цифровых устройств класса А (раздел 15 спецификаций FCC) и признано соответствующим всем предъявляемым критериям. Соблюдение упомянутых нормативов обеспечивает достаточную защиту от вредного излучения при работе оборудования в нежилых помещениях. Так как это изделие генерирует, использует и излучает радиоволны, при неправильной установке оно может становиться источником радиопомех. Если оборудование эксплуатируется в жилых помещениях, высока вероятность возникновения помех, влияние которых в этом случае пользователь должен устранить самостоятельно.

До эксплуатации допускаются устройства, соответствующие двум главным требованиям.

- 1 Оборудование не должно быть источником вредных помех.
- 2 Оборудование должно быть устойчивым к помехам, включая помехи, которые могут вызвать сбой в работе.



R- REM-BMD-201805001



Соответствие требованиям ISED (Канада)

Данное оборудование соответствует канадским стандартам для цифровых устройств класса А.

Любая модификация или использование изделия не по назначению могут повлечь за собой аннулирование заявления о соответствии этим стандартам.

Подключение к HDMI-интерфейсу должно выполняться с помощью качественного экранированного кабеля.

Данное оборудование протестировано по требованиям, предъявляемым к устройствам при работе в нежилых помещениях. При использовании в бытовых условиях оно может становиться источником помех для радиосигнала.

Правила безопасности

Во избежание удара электрическим током розетка для подключения устройства к сети должна иметь заземляющий контакт. При необходимости обратитесь за помощью к квалифицированному электрику.

Чтобы минимизировать опасность поражения электрическим током, изделие необходимо защищать от попадания брызг и капель воды.

Допускается его эксплуатация в условиях тропического климата с температурой окружающей среды до 40°C. Идеальная температура, однако, составляет 18–28°C.

Для работы устройства необходимо обеспечить достаточную вентиляцию.

Внутри корпуса не содержатся детали, подлежащие обслуживанию. Для выполнения ремонтных работ обратитесь в местный сервисный центр Blackmagic Design.



Допускается эксплуатация в местах не выше 2000 метров над уровнем моря.



ПРЕДУПРЕЖДЕНИЕ

Вес сканера Cintel с установленной пленкой может достигать 70 кг. Масса сканера вместе с пленочным носителем может достигать 70 кг, что значительно тяжелее широкоэкранный телевизор. Если вы не уверены, что стена или рабочий стол могут выдержать подобный вес, для соблюдения правил безопасной установки рекомендуется проконсультироваться со специалистом. Падение устройства в результате неправильного монтажа может привести к серьезным травмам или смертельному исходу.

Установка на рабочем столе

Перед монтажом на столе и особенно при работах под сканером во время его установки убедитесь в том, что стол имеет ровную и устойчивую поверхность. Крепежные кронштейны и детали должны иметь соответствующую прочность, рассчитанную на вес устройства. Если рабочая поверхность недостаточно надежная или подвергается деформации, это может привести к падению оборудования и серьезным травмам персонала.

Установка на стене

При установке сканера на стене убедитесь в том, что место монтажа обладает достаточной прочностью для длительного использования. Если есть вероятность ее постепенного уменьшения, это может привести к падению устройства и травмам персонала. Запрещается размещать сканер на поверхности, которая не рассчитана на его вес. Крепежные кронштейны и детали должны иметь соответствующую прочность, рассчитанную на вес устройства. Если рабочая поверхность не подходит для установки, оборудование может упасть и нанести травмы.

Установку сканера на столе или стене должны выполнять два человека. Запрещается вести монтажные работы в одиночку.

Работа со сканером

Все операции сканирования, в том числе загрузка пленки, должны выполняться пользователем. Важно помнить о том, что движущиеся части оборудования могут быть травмоопасными. Во время работы не допускайте прямого контакта с ними и соблюдайте технику безопасности.

Уведомление для жителей штата Калифорния

При работе с этим оборудованием существует возможность контакта с содержащимися в пластмассе микропримесями многобромистого бифенила, который в штате Калифорния признан канцерогеном и увеличивает риск врожденных дефектов и пороков репродуктивной системы.

Подробнее см. информацию на сайте www.P65Warnings.ca.gov.

Предупреждение для технического персонала



Перед обслуживанием отключите питание на обоих силовых разъемах.

Помощь

Самый быстрый способ получить помощь — обратиться к страницам поддержки на сайте Blackmagic Design и проверить наличие последних справочных материалов по сканеру.

Раздел поддержки на сайте Blackmagic Design

Последние версии руководства по эксплуатации, программного обеспечения и дополнительную информацию можно найти в разделе поддержки Blackmagic Design на странице www.blackmagicdesign.com/ru/support.

Форум сообщества Blackmagic Design

Посетите форум сообщества Blackmagic Design на нашем веб-сайте, чтобы получить дополнительную информацию и узнать об интересных творческих идеях. На нем можно поделиться своими идеями, а также получить помощь от персонала поддержки и других пользователей. Адрес форума <https://forum.blackmagicdesign.com>.

Обращение в Службу поддержки Blackmagic Design

Если с помощью доступных справочных материалов и форума решить проблему не удалось, воспользуйтесь формой «Отправить нам сообщение» на странице поддержки. Можно также позвонить в ближайшее представительство Blackmagic Design, телефон которого вы найдете на нашем веб-сайте.

Проверка используемой версии программного обеспечения

Для проверки установленной на компьютер версии DaVinci Resolve откройте приложение. Чтобы увидеть номер версии, выберите About DaVinci Resolve в меню DaVinci Resolve.

Для проверки установленной на компьютер версии Cintel Scanner откройте утилиту Cintel Setup. Чтобы увидеть номер версии, выберите вкладку About.

Загрузка последних версий ПО

Узнав установленные версии DaVinci Resolve и Cintel Scanner, перейдите в центр поддержки Blackmagic Design на странице www.blackmagicdesign.com/ru/support, чтобы проверить наличие обновлений. Рекомендуется всегда использовать последнюю версию программного обеспечения, однако обновление лучше всего выполнять после завершения текущего проекта.

Создание отчета о состоянии

ПО Cintel Scanner позволяет создать отчет о состоянии процесса, который можно переслать в центр поддержки компании Blackmagic Design для поиска помощи в диагностике системы и решении возникших проблем. Если подключено устройство Audio and KeyCode Reader, данные с него также можно включить в отчет.

Чтобы создать отчет, запустите утилиту Cintel Setup, щелкните значок настроек и перейдите на вкладку About. В разделе Device information выберите Create. Будет создан HTML-файл с данными состояния обоих устройств: Cintel Scanner и Audio and KeyCode Reader.

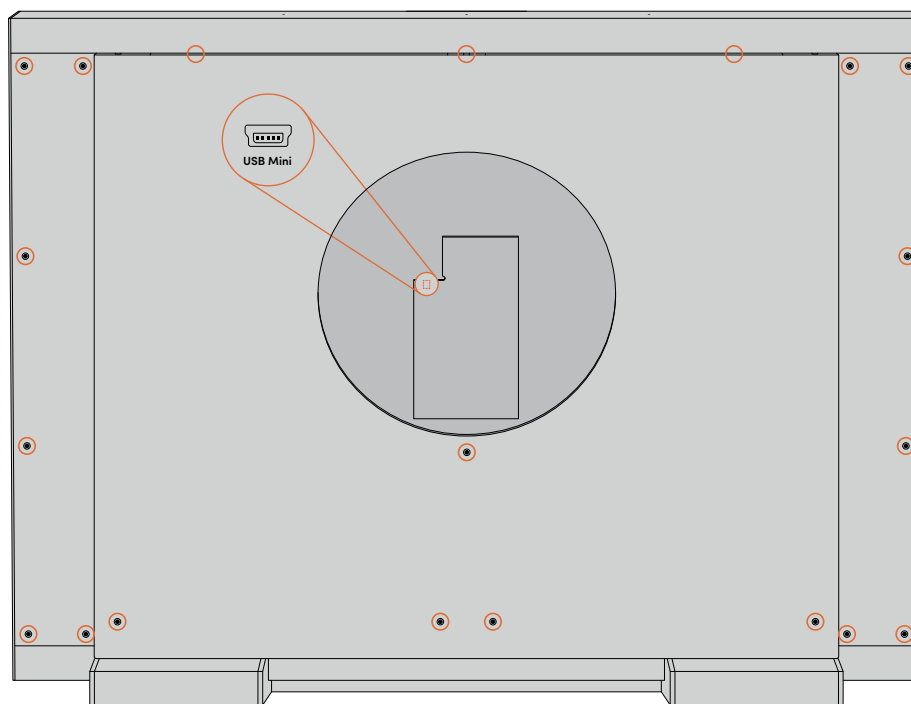
Восстановление системы через порт USB

В некоторых случаях, в частности при сбое или возникновении иных ошибок в процессе обновления системы, сканер Cintel может перестать отвечать на запросы. Для восстановления его работоспособности рекомендуется подключить устройство к компьютеру через порт USB.

Функция восстановления системы через порт USB доступна, если на сканер подается питание и светодиодный индикатор рядом с портом Thunderbolt горит зеленым цветом. Если он имеет красный цвет, необходимо обратиться в центр поддержки компании Blackmagic Design.

- 1 Снимите заднюю панель устройства Cintel Scanner. Порт USB, предназначенный для восстановления системы, находится сверху по центру. Он расположен со стороны материнской платы и доступ к нему возможен с передней панели сканера. Это визуально заметно, если посмотреть на устройство сверху.

ПРИМЕЧАНИЕ. Если доступ к задней панели затруднен и необходимо передвинуть сканер, эту работу должны выполнять два человека. Так как устройство достаточно тяжелое, для его установки потребуется достаточно прочная основа. Подробнее см. раздел «Распаковка и монтаж».



Снимите заднюю панель для доступа к порту USB и восстановления системы

- 2 Подключите компьютер к данному порту USB с помощью кабеля Mini-B USB.

- 3 Загрузите последнюю версию ПО Blackmagic Cintel с веб-сайта компании Blackmagic Design, установите на компьютер и запустите ее. Утилита Cintel Setup должна обнаружить подключение ПК к порту USB на сканере. Выберите Update Now.



ПО Blackmagic Cintel обнаружит подключение ПК к порту USB сканера

- 4 После завершения процесса восстановления системы на сканере Cintel будет установлена последняя версия ПО и он должен функционировать в обычном режиме. Для проверки отсоедините кабель USB, подключите шнур Thunderbolt и перезапустите питание сканера.
- 5 Верните заднюю панель обратно и установите сканер на рабочее место. Если вам нужна помощь, посетите форум сообщества Blackmagic Design или обратитесь в центр поддержки нашей компании.

Гарантия

Ограниченная гарантия сроком 12 месяцев

Компания Blackmagic Design гарантирует отсутствие в данном изделии дефектов материала и производственного брака в течение 12 месяцев с даты продажи. Если во время гарантийного срока будут выявлены дефекты, Blackmagic Design по своему усмотрению выполнит ремонт неисправного изделия без оплаты стоимости запчастей и трудозатрат или заменит такое изделие новым. Чтобы воспользоваться настоящей гарантией, потребитель обязан уведомить компанию Blackmagic Design о дефекте до окончания гарантийного срока и обеспечить условия для предоставления необходимых услуг. Потребитель несет ответственность за упаковку и доставку неисправного изделия в соответствующий сервисный центр Blackmagic Design с оплатой почтовых расходов. Потребитель обязан оплатить все расходы по доставке и страхованию, пошлины, налоги и иные сборы в связи с возвратом изделия вне зависимости от причины возврата.

Настоящая гарантия не распространяется на дефекты, отказы и повреждения, возникшие из-за ненадлежащего использования, неправильного ухода или обслуживания. Компания Blackmagic Design не обязана по настоящей гарантии: а) устранять повреждения, возникшие в результате действий по установке, ремонту или обслуживанию изделия лицами, которые не являются персоналом Blackmagic Design; б) устранять повреждения, возникшие в результате неправильного монтажа или подключения к несовместимому оборудованию; в) устранять повреждения или дефекты, вызванные использованием запчастей или материалов других производителей; г) обслуживать изделие, если оно было модифицировано или интегрировано с другим оборудованием, когда такая модификация или интеграция увеличивает время или повышает сложность обслуживания изделия.

НАСТОЯЩАЯ ГАРАНТИЯ ПРЕДОСТАВЛЯЕТСЯ КОМПАНИЕЙ BLACKMAGIC DESIGN ВМЕСТО ЛЮБЫХ ДРУГИХ ПРЯМО ВЫРАЖЕННЫХ ИЛИ ПОДРАЗУМЕВАЕМЫХ ГАРАНТИЙ. КОМПАНИЯ BLACKMAGIC DESIGN И ЕЕ ДИЛЕРЫ ОТКАЗЫВАЮТСЯ ОТ ЛЮБЫХ ПОДРАЗУМЕВАЕМЫХ ГАРАНТИЙ КОММЕРЧЕСКОЙ ЦЕННОСТИ ИЛИ ПРИГОДНОСТИ ДЛЯ КАКОЙ-ЛИБО ОПРЕДЕЛЕННОЙ ЦЕЛИ. ОТВЕТСТВЕННОСТЬ BLACKMAGIC DESIGN ПО РЕМОНТУ ИЛИ ЗАМЕНЕ НЕИСПРАВНЫХ ИЗДЕЛИЙ В ТЕЧЕНИЕ ГАРАНТИЙНОГО СРОКА ОБСЛУЖИВАНИЯ ЯВЛЯЕТСЯ ПОЛНЫМ И ИСКЛЮЧИТЕЛЬНЫМ СРЕДСТВОМ ВОЗМЕЩЕНИЯ, ПРЕДОСТАВЛЯЕМЫМ ПОТРЕБИТЕЛЮ. BLACKMAGIC DESIGN НЕ НЕСЕТ ОТВЕТСТВЕННОСТИ ЗА КОСВЕННЫЕ, ФАКТИЧЕСКИЕ, СОПУТСТВУЮЩИЕ ИЛИ ПОСЛЕДУЮЩИЕ УБЫТКИ, ВНЕ ЗАВИСИМОСТИ ОТ ТОГО, БЫЛА ИЛИ НЕТ КОМПАНИЯ BLACKMAGIC DESIGN (ЛИБО ЕЕ ДИЛЕР) ПРЕДВАРИТЕЛЬНО ИЗВЕЩЕНА О ВОЗМОЖНОСТИ ТАКИХ УБЫТКОВ. BLACKMAGIC DESIGN НЕ НЕСЕТ ОТВЕТСТВЕННОСТИ ЗА ПРОТИВОПРАВНОЕ ИСПОЛЬЗОВАНИЕ ОБОРУДОВАНИЯ СО СТОРОНЫ ПОТРЕБИТЕЛЯ. BLACKMAGIC DESIGN НЕ НЕСЕТ ОТВЕТСТВЕННОСТИ ЗА УБЫТКИ, ВОЗНИКАЮЩИЕ ВСЛЕДСТВИЕ ИСПОЛЬЗОВАНИЯ ЭТОГО ИЗДЕЛИЯ. РИСКИ, СВЯЗАННЫЕ С ЕГО ЭКСПЛУАТАЦИЕЙ, ВОЗЛАГАЮТСЯ НА ПОТРЕБИТЕЛЯ.

© Copyright 2024 Blackmagic Design. Все права защищены. Blackmagic Design, Cintel, DeckLink и DaVinci Resolve зарегистрированы как товарные знаки в США и других странах. Названия других компаний и наименования продуктов могут являться товарными знаками соответствующих правообладателей.

Aprile 2024

Manuale di istruzioni

Blackmagicdesign 

Cintel Scanner



Cintel Scanner



Gentile utente

Grazie per aver acquistato il nuovo Cintel Scanner.

Questo dispositivo scansiona la pellicola in tempo reale con una velocità di trasferimento superiore agli scanner tradizionali che impiegano movimenti intermittenti. Tuttavia è importante tenere presente che questo scanner non è un telecinema e non trasferisce la pellicola su video, ma direttamente su DaVinci Resolve tramite Thunderbolt 3 o PCIe. Sul software è possibile combinare il materiale di più bobine e fare la correzione colore, reinquadrare, ridurre il rumore ed estrarre l'audio dalle immagini digitalizzate.

Operare lo scanner con DaVinci Resolve garantisce un controllo creativo nettamente superiore al telecinema, perché a differenza dell'hardware, il software dispone di molte più funzioni. Inoltre poiché Cintel sfrutta la potenza di DaVinci Resolve e della GPU o eGPU del computer host, non richiede assemblaggi elettronici ingombranti e costosi.

Il flusso di lavoro è semplice. Basta digitalizzare la pellicola con esposizione standard o ad alta gamma dinamica in file RAW intermedi e combinare le immagini di ciascuna bobina sulla timeline. Poi dopo aver ridotto il rumore e completato correzione colore e reinquadratura, è sufficiente renderizzare i file nel formato desiderato sulla pagina Deliver di DaVinci Resolve.

Per ottimizzare il flusso di lavoro abbiamo anche sviluppato una serie di accessori. Il lettore Audio and KeyCode Reader opzionale scansiona l'audio ottico e magnetico a una velocità superiore al tempo reale, importando i dati KeyCode direttamente nelle clip su DaVinci Resolve. In alternativa, lo scanner è anche in grado di sincronizzarsi ai sistemi audio a valle.

Per sfruttare appieno le incredibili prestazioni di Cintel in tandem con DaVinci Resolve, consulta il manuale, i fantastici tutorial video creati dagli utenti e i corsi di formazione di terzi di ottima qualità su DaVinci Resolve.

Le versioni più recenti del manuale e del software di Cintel Scanner sono disponibili alla pagina Supporto su www.blackmagicdesign.com/it

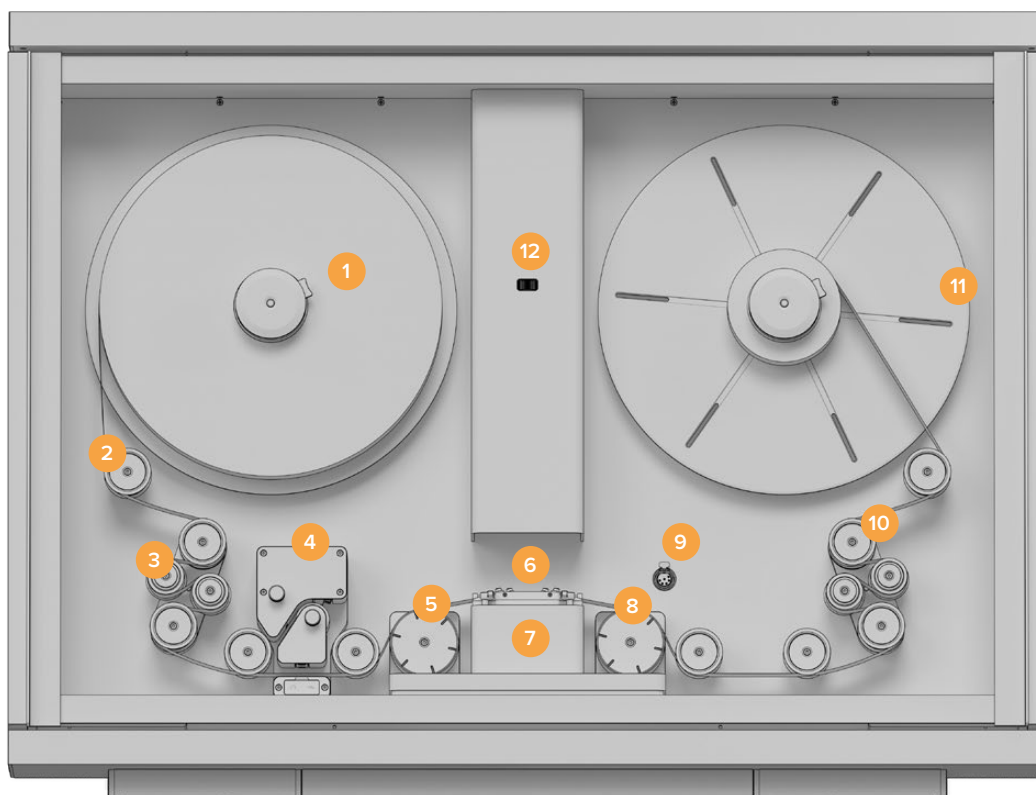
Grant Petty

AD Blackmagic Design

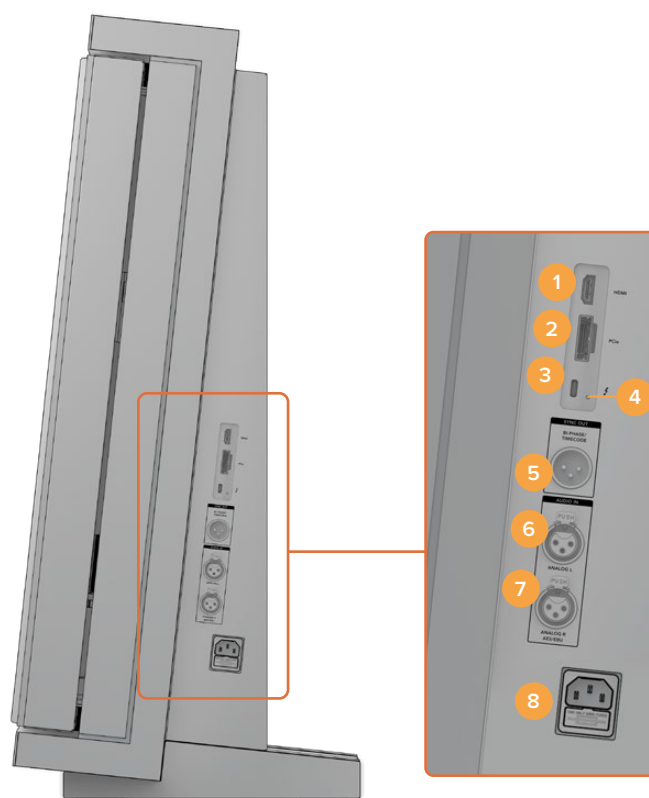
Indice

Disimballare e montare lo scanner	1063	Estrarre l'audio	1098
Fissare lo scanner su un piano	1063	Impostazioni di estrazione audio	1099
Fissare lo scanner a parete	1064	Spazio colore e ridimensionamento	1101
Avvertenze per l'installazione sicura dello scanner	1065	L'accessorio Audio and KeyCode Reader	1103
Configurazione iniziale	1066	Installare Audio and KeyCode Reader	1104
Installare il software	1066	Lettura audio	1106
Collegare l'alimentazione	1066	Configurare il lettore per la scansione dell'audio	1107
Collegare il computer	1066	Lettura del KeyCode	1113
Aprire DaVinci Resolve	1067	Configurare il lettore per la scansione del KeyCode	1113
Aggiornare il firmware	1068	Transcodificare in DPX integrando i metadati del KeyCode	1114
Pacchetto di sviluppo	1069	Manutenzione	1116
Cos'è l'HDR?	1069	Pulire i rulli di pulizia	1116
Meccanismi di trascinamento	1070	Pulire i rulli capstan	1116
Inserire la pellicola	1070	Rimuovere la polvere	1117
Come utilizzare lo scanner	1074	Pulire il rullo di Audio and KeyCode Reader	1117
Direzioni di avanzamento	1074	Pulire la testina magnetica di Audio and KeyCode Reader	1118
Passare al 16mm	1075	Sostituzione della testina magnetica	1119
Passare all'8mm	1077	Sostituire il PCB della testina magnetica	1121
Alternare i formati 8mm	1078	Resettare il runtime della testina magnetica	1125
Viti di tensione del corridoio per pellicola	1080	Verificare l'allineamento della testina	1125
Controlli di riproduzione	1081	Lavorare con le clip in Resolve	1130
Modalità standby	1082	Project Manager	1130
Cattura con DaVinci Resolve	1082	Montaggio nella pagina Cut	1131
Interfaccia di Cintel Scanner	1082	Aggiungere clip nella timeline	1134
Controlli della pellicola	1083	Montare le clip nella timeline	1135
Regolare la fonte di luce	1086	Trimming con audio	1136
Stabilizzazione immagine	1087	Inserire i titoli	1136
Protezione pellicola	1090	Lavorare con i file Blackmagic RAW	1137
Modificare i metadati in Capture Info e Metadata	1090	Correggere le clip nella pagina Color	1141
Digitalizzare la pellicola	1092	Inserire una Power Window	1144
Regolare il colore dello scanner	1096		
Digitalizzare una o più sezioni della pellicola	1097		

Usare i plug-in	1146	Dust Buster	1169
Mixare l'audio nella pagina Edit	1146	General	1170
La pagina Fairlight	1147	Patch Type	1171
Aggiungere VFX e fare il compositing sulla pagina Fusion	1152	Patch Options	1172
Lo spazio di lavoro Fusion	1154	Advanced Controls	1172
Fare il mastering della sequenza montata	1160	Riduzione del rumore	1173
Esportazione veloce	1160	Controlli di riduzione del rumore temporale	1173
La pagina Deliver	1161	Parametri di riduzione del rumore temporale	1173
Rimozione automatica dello sporco	1162	Controlli di riduzione del rumore spaziale	1174
Controlli principali	1162	Parametri di riduzione del rumore spaziale	1175
Fine Controls	1163	Global Blend	1175
Correzione dei pixel difettosi	1163	Utilizzare la riduzione del rumore	1176
General	1164	Rimozione oggetti	1178
Patch Type	1165	Specifiche	1180
Patch Options	1166	Normative	1183
Advanced Controls	1166	Sicurezza	1184
Deflicker	1167	Assistenza	1186
Controlli principali	1167	Scaricare gli aggiornamenti più recenti	1186
Temporal NR	1167	Creare un rapporto di stato	1186
Speed Optimization	1168	Ripristino tramite USB	1187
Restore Original Detail After Deflicker	1168	Garanzia	1189
Output	1169		



1. Morsetto 2. Rullo di trasporto 3. Rullo di pulizia 4. Lettore opzionale Audio and KeyCode Reader collegato all'interfaccia accessoria di sinistra 5. Rocchetto di tensione 6. Corridoio di scorrimento 7. Fonte di luce 8. Rocchetto di trascinamento 9. Porta di espansione allineamento pin 10. Braccio di tensione 11. Disco di sostegno 12. Rotella di messa a fuoco



1. HDMI 2. PCIe 3. Thunderbolt 3 4. Spia di alimentazione 5. Uscita sync bifase / timecode 6. Ingresso audio XLR3 1 7. Ingresso audio XLR3 2 8. Connessione di alimentazione

Disimballare e montare lo scanner

È arrivato il momento di scoprire il tuo nuovo Cintel Scanner.

Per prima cosa, rimuovi l'imballaggio e fissa lo scanner saldamente su una superficie stabile, o sulla parete. I fori di montaggio sono situati alla base del dispositivo, sotto i piedi di appoggio, per migliorarne la stabilità quando viene fissato su un piano. Sono presenti fori di montaggio anche sul pannello posteriore per ancorarlo saldamente all'apposito supporto per parete.

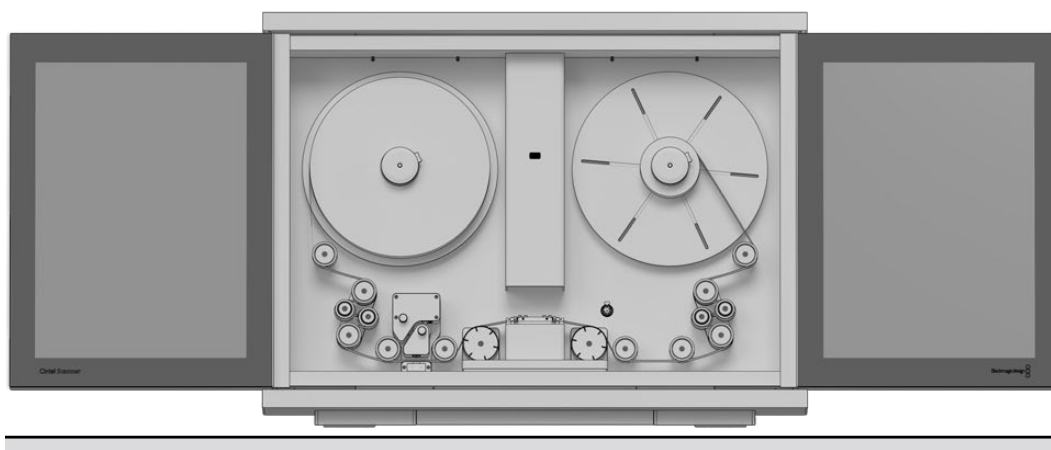
Dopo aver aperto il flightcase, noterai che l'imbottitura è stata tagliata per facilitare l'estrazione dello scanner.

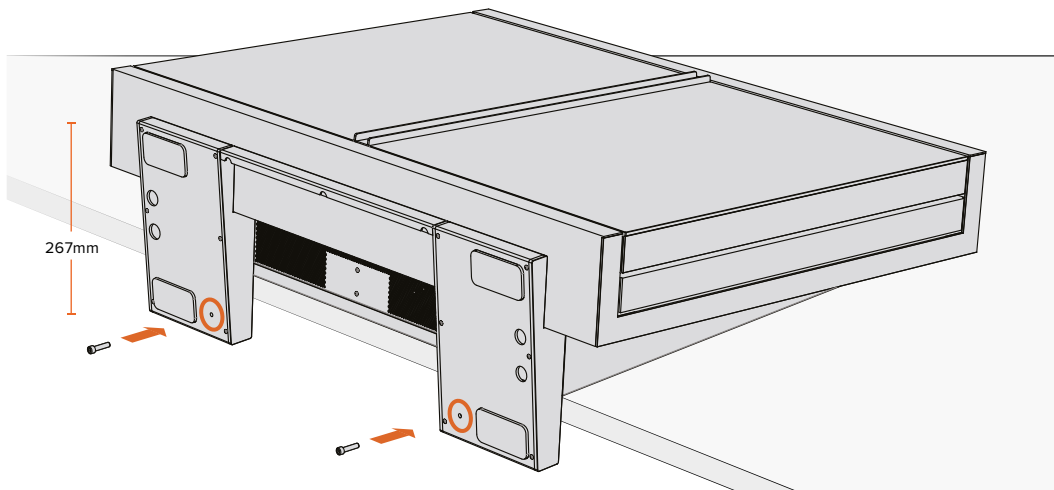
Poiché Cintel pesa oltre 60 kg, per estrarlo sono necessarie due persone, utilizzando adeguate tecniche di sollevamento, quali piegare le ginocchia, mantenere la schiena dritta e sollevare con movimenti controllati e attenti.

Una volta rimosso lo scanner dal flightcase, appoggialo su una superficie piana stabile in grado di sostenerne il peso.

Fissare lo scanner su un piano

Per una maggiore stabilità, puoi fissare lo scanner alla superficie di lavoro utilizzando i fori sui piedi di appoggio di Cintel. Con un trapano fai due fori sul piano dove vuoi installarlo. Inserisci due viti M6 e avvitalle nei fori di montaggio. Questo ancorerà lo scanner saldamente alla superficie impedendone il movimento.





Fissa saldamente lo scanner alla superficie di lavoro utilizzando le viti M6 nei fori di montaggio sui piedi di appoggio

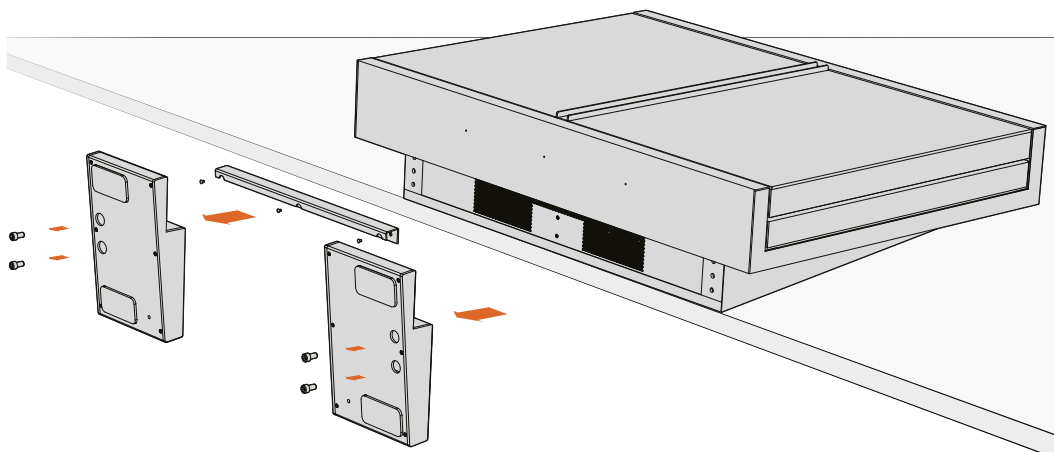
NOTA Per la tua incolumità, leggi attentamente le informazioni di avvertenza alla pagina seguente prima di montare Cintel Scanner.

Fissare lo scanner a parete

L'elegante design industriale e il sottile profilo di Cintel lo rendono ideale per il fissaggio a parete.

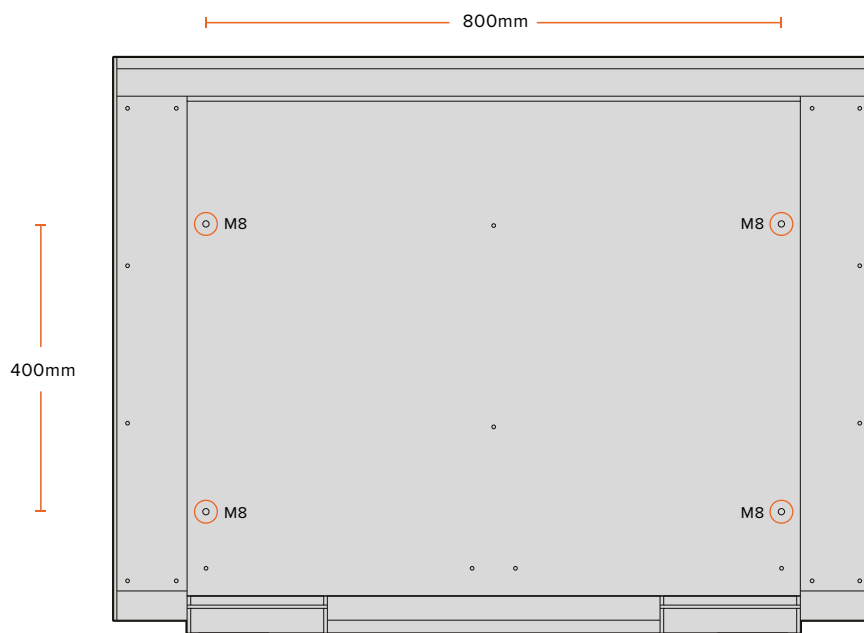
Prima di tutto, rimuovi i piedi di appoggio e il montante di supporto dalla base dello scanner.

- 1 Posiziona lo scanner a faccia in su, facendo sporgere i piedi di appoggio dal bordo di una superficie stabile e solida, capace di sostenerne il peso.
- 2 Con una chiave esagonale da 6mm, svita la coppia di viti M8 dai due piedi di appoggio, e rimuovili con cautela.
- 3 Con un cacciavite a croce, rimuovi il montante di supporto tra i piedi di appoggio. Conserva il montante di supporto e i piedi di appoggio in un luogo sicuro, per poterli usare di nuovo se preferisci collocare lo scanner in un'altra postazione.



Rimuovi i piedi di appoggio e il montante di supporto per fissare lo scanner alla parete

L'illustrazione qui sotto indica la posizione dei quattro fori di montaggio M8 sul retro dello scanner. Utilizza solo viti M8 per fissare lo scanner sulla parete. Le viti M8 non devono superare i 25mm di lunghezza.



Avvertenze per l'installazione sicura dello scanner

Con le bobine installate, Cintel Scanner arriva a un peso di 70kg, nettamente superiore a un televisore di grandi dimensioni. Se non sei certo che il muro o il piano siano strutturalmente stabili, consigliamo di ottenere il parere di un ingegnere qualificato prima di fissare il dispositivo in modo sicuro. Un'installazione scorretta potrebbe provocare la caduta dello scanner, causando infortuni gravi o fatali.

Se monti lo scanner su un piano, e specialmente quando lavori sotto lo scanner per fissare le viti, assicurati che la superficie di lavoro sia piana e stabile. I supporti di montaggio e le guarnizioni utilizzati devono essere sufficientemente solidi per sostenere il peso dello scanner. Qualora la superficie non fosse in grado di sostenerne il peso, o dovesse cedere col tempo, lo scanner potrebbe cadere con il rischio di causare gravi infortuni.

Se monti lo scanner alla parete assicurati che il muro sia sufficientemente solido per sostenerne il peso nel tempo. Qualora la superficie non fosse in grado di sostenerne il peso, o dovesse cedere col tempo, lo scanner potrebbe cadere con il rischio di causare gravi infortuni. Non installare lo scanner su superfici precarie. I supporti di montaggio e le guarnizioni utilizzati devono essere sufficientemente solidi per sostenere il peso dello scanner. Se la superficie di installazione non è sufficientemente solida, lo scanner potrebbe cadere causando infortuni.

Sono necessarie almeno due persone per fissare lo scanner su un piano o alla parete. Non tentare di installarlo senza l'aiuto di un'altra persona.

Configurazione iniziale

Dopo aver estratto lo scanner dall'imballaggio e seguito le istruzioni per montarlo, iniziare a usarlo è semplice. Collega l'alimentazione, connetti il computer mediante Thunderbolt, lancia Blackmagic DaVinci Resolve e inserisci la pellicola. Puoi visualizzare immediatamente la pellicola digitalizzata su un monitor esterno. Basta caricare la pellicola, metterla in tensione manualmente e collegare il monitor all'uscita HDMI di Cintel. Per maggiori informazioni, consulta le sezioni "Inserire la pellicola" e "Controlli di riproduzione" di questo manuale.

Installare il software

I controlli di cattura per lo scanner si trovano all'interno di DaVinci Resolve, quindi la prima cosa da fare per acquisire immagini è scaricare e installare DaVinci Resolve Studio. Lo scanner include una chiavetta DaVinci Resolve contenente la versione completa del software.

Scarica la versione più recente del software Cintel Scanner dalla pagina Supporto del sito Blackmagic Design www.blackmagicdesign.com/it/support

Una volta completato il download, estrai il file zip e cliccaci due volte per aprire la cartella **Setup**. Ora clicca l'installer e segui i passi indicati per installare il software sul computer.

Se intendi sviluppare un software di controllo su misura per Cintel Scanner, è anche disponibile un pacchetto SDK. Per maggiori informazioni leggi la sezione "Pacchetto di sviluppo".

Collegare l'alimentazione

Dopo aver installato il software, per caricare la pellicola è necessario collegare lo scanner all'alimentazione.

Connetti un cavo IEC standard alla porta AC sul retro dello scanner, in basso a destra. Quando l'alimentazione è collegata, la spia LED dello scanner si illumina di verde.

Collegare il computer

Ci sono due modi di collegare Cintel Scanner al computer host: tramite Thunderbolt o PCIe. Collega i computer Mac e Windows alla connessione Thunderbolt 3, oppure acquista il kit per cavo PCIe Cable Kit di Blackmagic Design per utilizzare la porta PCIe con Windows e Linux. È possibile collegare un monitor esterno alla porta HDMI dello scanner per l'anteprima. Tutte e tre le connessioni (Thunderbolt 3, PCIe, e HDMI) si trovano in basso a destra dello scanner.

Aprire DaVinci Resolve

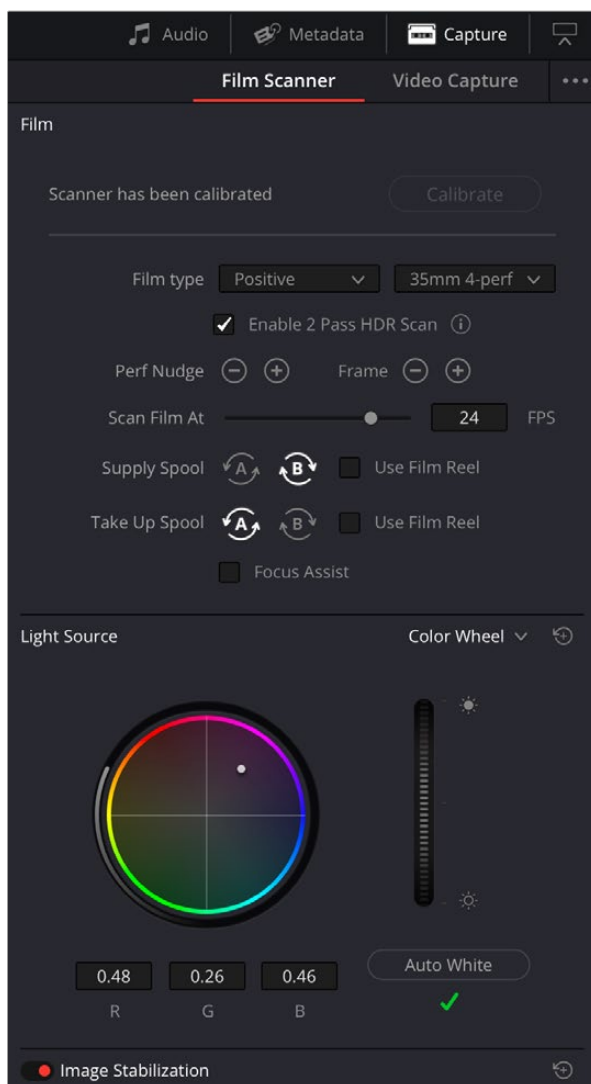
Lancia DaVinci Resolve e seleziona la pagina **Media**. Apri la tab **Film Scanner** dal menù **Capture** in alto a destra dello schermo.

Lo scanner cattura una grande quantità di dati immagine, quindi è necessario indicare la cartella in cui salvare i file acquisiti da DaVinci Resolve.

Come fare:

- 1 Apri DaVinci Resolve.
- 2 Dalla barra menù di DaVinci Resolve, clicca su **Preferences**.
- 3 Dalla tab **Media Storage** clicca sull'icona +. Seleziona un drive o una cartella di destinazione.
- 4 Clicca su **Save** e riavvia DaVinci Resolve.

Per informazioni dettagliate su come usare le funzioni di controllo nella tab Film Scanner di DaVinci Resolve, consulta la sezione “Cattura tramite DaVinci Resolve”.



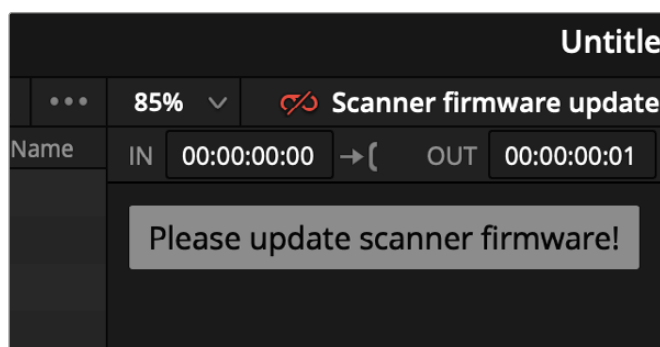
Le impostazioni di scansione nel menù Capture

Aggiornare il firmware

Sia Cintel Scanner che Audio and KeyCode Reader hanno un firmware interno che di tanto in tanto è necessario aggiornare. Prima però, va installato il software di Cintel Scanner sul computer.

Cintel Scanner

Dopo aver installato il software Cintel Scanner sul computer e collegato lo scanner, saprai se il firmware richiede un aggiornamento.



DaVinci Resolve mostra un avviso se Cintel Scanner richiede un aggiornamento per sbloccarsi

Audio and KeyCode Reader

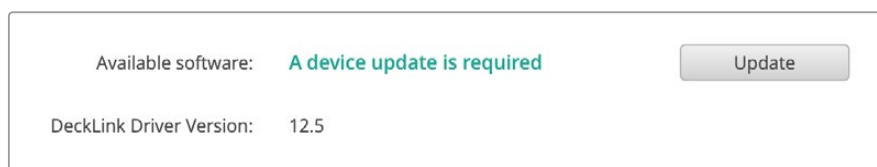
Audio and KeyCode Reader richiede un aggiornamento per sbloccarsi. DaVinci Resolve mostrerà un avviso, simile a quello nell'immagine qui in alto, che suggerisce di aggiornare il firmware.

Come aggiornare il firmware

Per eseguire gli aggiornamenti firmware di Cintel Scanner e Audio and KeyCode Reader è necessario usare l'utilità Cintel Setup.

Come aggiornare il firmware di Cintel Scanner o Audio and KeyCode Reader:

- 1 Collega Cintel Scanner all'alimentazione, e al computer tramite la porta Thunderbolt 3 o PCIe.
- 2 Per aggiornare Audio and KeyCode Reader, collegalo al computer con un cavo USB-C.
- 3 Apri Cintel Setup e seleziona lo scanner o il dispositivo audio.
- 4 Clicca il pulsante impostazioni e vai alla tab **Setup**. Se è disponibile un aggiornamento, clicca su **Update**.



La tab Setup indica se un aggiornamento è disponibile per Cintel Scanner o Cintel Audio and KeyCode Reader

Il firmware aggiornato conterrà le ultime novità in termini di impostazioni, funzioni e compatibilità.

Pacchetto di sviluppo

Blackmagic Design offre un SDK gratuito per lo scanner, compatibile con Mac, Windows, e Linux. L'SDK fornisce esempi di applicazioni per controllare lo scanner come su DaVinci Resolve, ma con linee di comando.

Per esempio consente di sviluppare una soluzione software per controllare lo scanner, cambiare le impostazioni, avviare la scansione, ed elaborare le clip. Anche se DaVinci Resolve Studio è incluso allo scanner, grazie all'SDK puoi sviluppare un software e usarlo sui computer le cui specifiche non soddisfano i requisiti di DaVinci Resolve. Per tutti i dettagli, consulta la pagina Sviluppatori www.blackmagicdesign.com/it/developer

Cos'è l'HDR?

HDR, ovvero Alta Gamma Dinamica, è una tecnica che combina una serie di immagini con livelli di esposizione diversi per estenderne la gamma dinamica complessiva e ottimizzare il rumore. Lo scanner esegue la scansione HDR in due passaggi: il primo con un livello di esposizione normale, il secondo con un livello di esposizione nettamente più elevato per offrire più dettagli nelle luci basse per i positivi, e nelle luci per i negativi. Il risultato è un'immagine con una maggiore profondità di bit.



Scansione con esposizione normale (sinistra) e scansione con esposizione alta (destra)

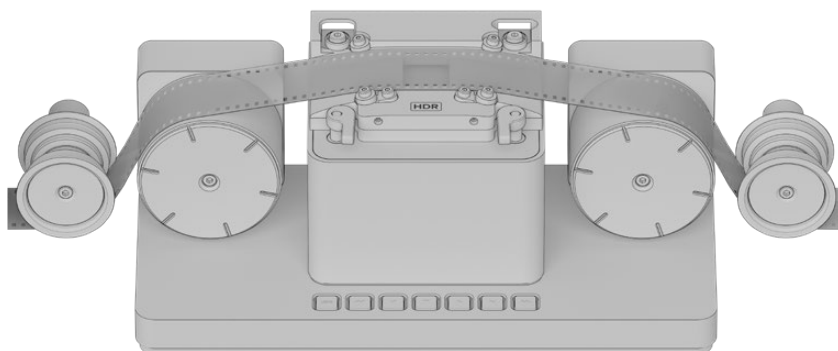


Queste immagini zoomate sono scansioni dello stesso fotogramma che mostrano la differenza tra la scansione HDR (sinistra) e la scansione standard (destra). La scansione HDR presenta meno rumore, colori più accurati e dettagli più accentuati nelle zone di ombra e di luce

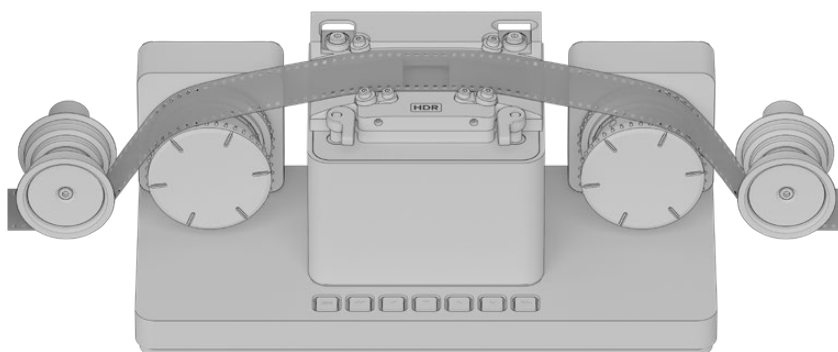
I corridoi per HDR e lo stabilizzatore dell'immagine allineano la scansione iniziale alla scansione ad alta esposizione con una precisione al sub-pixel grazie a un filtro di ridimensionamento di alta qualità, creando una clip HDR priva di artefatti.

Meccanismi di trascinamento

Cintel Scanner è munito di rulli capstan o rocchetti dentati a seconda del modello. Entrambi ruotano per svolgere o avvolgere la pellicola, e si fermano per allineare con precisione ciascun fotogramma al corridoio del sensore immagine. Questi componenti sono parte integrante dello scanner e non si possono sostituire.



I rulli capstan trattengono la pellicola con una tensione moderata, per preservare anche quelle più delicate o con perforazioni danneggiate



I rocchetti dentati si inseriscono nelle perforazioni della pellicola, senza entrare in contatto con la sezione contenente il fotogramma

Il meccanismo principale trascina la pellicola, mentre quello secondario applica la tensione necessaria per garantire uno scorrimento corretto attraverso il corridoio. La disposizione simmetrica dei due garantisce uno svolgimento e avvolgimento di massima precisione indipendentemente dalla velocità.

Inserire la pellicola

Ora che lo scanner e DaVinci Resolve comunicano tra di loro, puoi inserire la pellicola.

Accedere allo scanner

Apri le ante scorrevoli dello scanner.

Sul pannello frontale interno trovi la bobina di svolgimento a sinistra e la bobina di avvolgimento a destra. La bobina di svolgimento ospita la pellicola da digitalizzare e la bobina di avvolgimento riceve la pellicola scansionata.

Impostare la direzione di avanzamento

Imposta la direzione di avanzamento **Wind type** su B/A di modo che le bobine ruotino nella direzione giusta. Vai alla tab **Film Scanner** di DaVinci Resolve, e su **Wind type** seleziona **Supply Spool > B** e **Take Up Spool > A**.

B/A è la direzione di avanzamento di default dello scanner, con la bobina di svolgimento **Supply Spool** che ruota in direzione oraria e la bobina di avvolgimento **Take Up Spool** in direzione antioraria. Consulta la sezione “Direzioni di avanzamento” di questo manuale per maggiori informazioni.

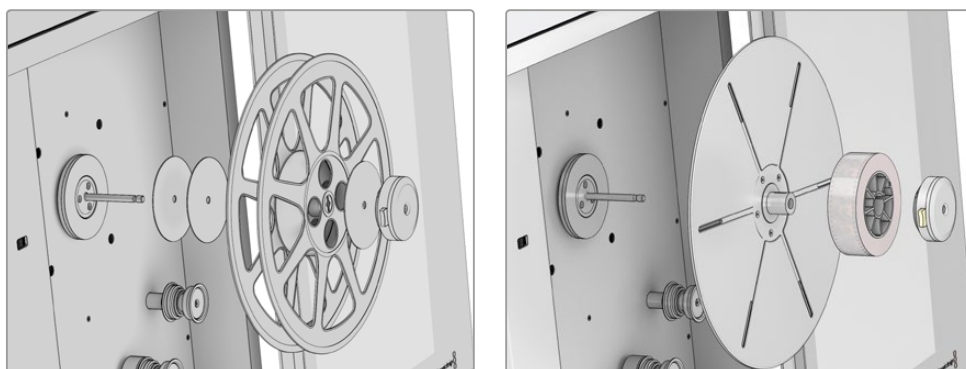
In questo passaggio è importante impostare correttamente lo scanner secondo il tipo e le dimensioni della pellicola. Dalla tab **Film Scanner** di DaVinci Resolve seleziona il tipo e il formato della pellicola, oltre al 8mm, al 16mm, al 35mm e ad altri tipi di perforazioni.

Preparare la bobina di avvolgimento

Inserisci il supporto centrale da 75mm e il morsetto inclusi sul perno della bobina di avvolgimento dello scanner. Per inserire il morsetto, tieni premuto il pulsante su di esso, spingi il morsetto fino a percepire una certa resistenza, rilascia il pulsante e spingi ancora il morsetto fino a sentire un clic.

Caricare la pellicola

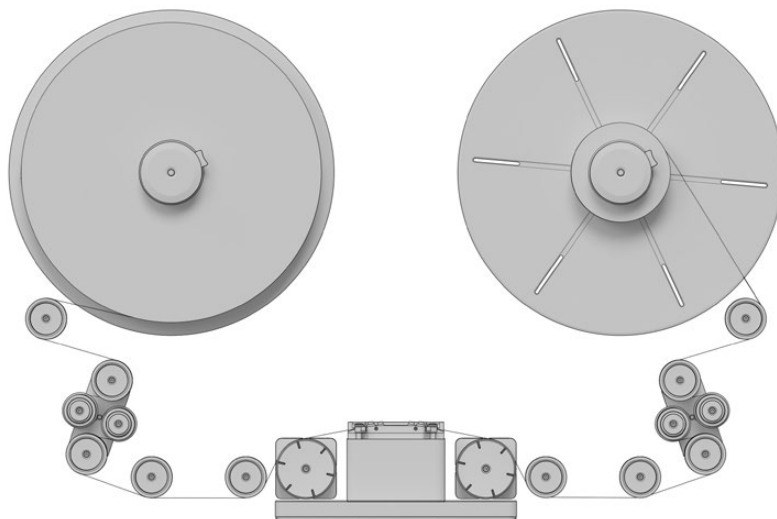
Carica la pellicola sul perno della bobina di svolgimento seguendo lo stesso procedimento del punto 3. Il procedimento differisce leggermente se il rullo della pellicola è con o senza bobina, e secondo il tipo di pellicola (35mm, 16mm o 8mm). Ad esempio, caricando una pellicola senza bobina, è necessario inserire il disco di sostegno, altrimenti bastano gli spaziatori.



Le illustrazioni qui sopra mostrano come caricare una pellicola 35mm con o senza bobina. Quando carichi una bobina il disco di sostegno non è necessario; puoi semplicemente usare gli spaziatori inclusi. Il disco di sostegno è necessario quando carichi un rotolo di pellicola senza bobina.

Inserire la pellicola

Inserisci con cautela la prima parte della pellicola tra i rulli dello scanner come nell'illustrazione.



Di default, lo scanner avvolge in direzione B/A, ovvero dal basso della bobina di svolgimento e dall'alto della bobina di avvolgimento

Mettere in tensione la pellicola

Inserisci la parte finale della pellicola nel piccolo incavo della bobina di avvolgimento, e falla avanzare delicatamente per qualche giro.

Per evitare di piegare la parte finale della pellicola nell'incavo, basta sfruttare la frizione generata dall'avvolgimento della pellicola su se stessa per incastrarla nella bobina. In alternativa, usa un nastro adesivo leggero.

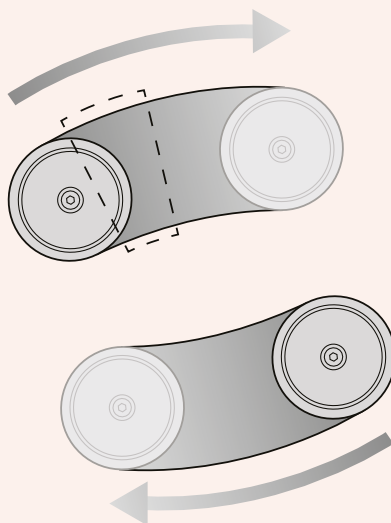
Per mettere in tensione la pellicola, premi il tasto **Load** o gira manualmente entrambe le bobine contemporaneamente.

Tensione manuale

Mentre applichi tensione manualmente, come indicato nell'immagine qui sotto, i bracci di tensione sotto i rulli di pellicola si muovono. Quando raggiungono circa un terzo del percorso completo, tieni fermi i rulli per un paio di secondi. Lo scanner rileverà la presenza della pellicola sulla bobina di avvolgimento, e la metterà in tensione automaticamente, completando l'operazione.

Se in qualsiasi momento durante l'operazione di tensione manuale o automatica dovessi notare un problema, annullala premendo nuovamente il pulsante Load o tenendo saldamente ferma la bobina di svolgimento o di avvolgimento.

Lo scanner riconoscerà queste azioni e interromperà l'operazione.



Quando metti in tensione manualmente la pellicola, fa' sì che il braccio di tensione raggiunga la metà del percorso completo. Lo scanner applicherà automaticamente tensione al resto della bobina.

Ispezionare la pellicola

Assicurati che la pellicola sia caricata correttamente premendo il pulsante **Play** sullo scanner, o cliccando su **Play** sulla tab **Film Scanner** di DaVinci Resolve. Se appaiono le immagini della pellicola sul viewer, o sul monitor HDMI (se connesso), significa che lo scanner sta funzionando correttamente.

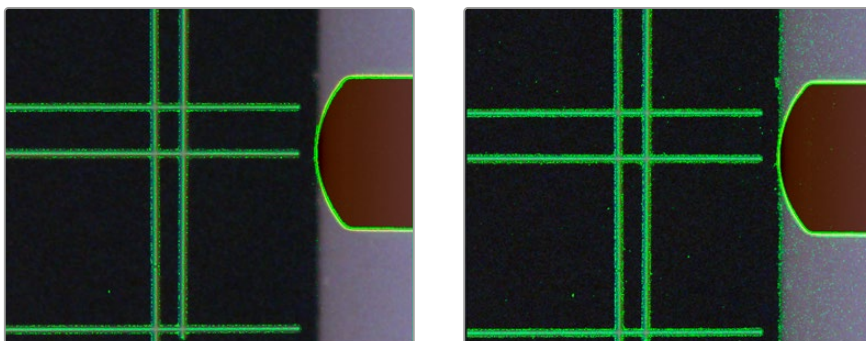
A seconda della direzione di avanzamento usata, l'immagine potrebbe apparire rovesciata, in orizzontale o in verticale. È possibile rigirla selezionando il tipo di pellicola opportuno. Per esempio, una pellicola negativa potrebbe apparire girata da sinistra a destra fino a che non viene selezionata l'impostazione Negative. Se non sistemi la direzione selezionando il tipo di pellicola, la seconda opzione è reinserire la pellicola utilizzando una direzione di avanzamento diversa.

Per esaminare le condizioni della pellicola scansionata con Cintel Scanner G3 HDR+, tieni premuto il pulsante **Stop** o **Play** per 2 secondi. Lo scanner ridurrà l'intensità della fonte di luce irradiata sulla pellicola per consentire di individuare scrupolosamente difetti, sporco e graffi. Dopo un'attenta valutazione, potrai decidere se pulire o aggiustare il rullo di pellicola.

Regolare la messa a fuoco

Come per gli obiettivi delle videocamere, è necessario mettere a fuoco le immagini della pellicola proiettata sul sensore dello scanner. La rotella della messa a fuoco si trova nella colonna centrale dello scanner. Per ottenere una perfetta messa a fuoco utilizza la funzione **Focus Assist** nella tab **Film Scanner** di DaVinci Resolve. Come la funzione peaking delle camere Blackmagic, focus assist traccia linee verdi sulle aree più nitide dell'immagine. Quando il verde è molto marcato, la messa a fuoco è corretta.

Abilita la funzione spuntando la casella **Focus Assist** all'interno della tab **Film Scanner** di DaVinci Resolve. Ora mentre regoli la messa a fuoco con la manopola puoi osservare i segnali HDMI in uscita o il viewer sullo schermo. La grana della pellicola è un indicatore formidabile: quando mostra linee verdi molto marcate, la pellicola è a fuoco.



La grana della pellicola è perfetta per la messa a fuoco accurata con la funzione Focus Assist. Nell'esempio sopra, l'immagine a sinistra non è a fuoco, quella a destra sì. La funzione Focus Assist viene messa in evidenza dalla grana ed è maggiormente visibile nell'area di perforazione

La funzione Focus Assist funziona meglio con le pellicole negative perché di solito sono più nitide in presenza di grana. sharper with the most grain detail.

Per trarre il massimo da questa funzione, imposta il viewer sulla risoluzione massima cliccando sull'angolo in alto a destra del viewer e selezionando **Full Resolution Preview** dal menù a discesa.

È importante ricordare che l'anteprima alla massima risoluzione rimane impostata fino a che non decidi di disabilitarla. Questa impostazione però è altamente intensiva per la GPU e può incidere sulle prestazioni del viewer. Per esempio potrebbe introdurre un ritardo nella visualizzazione, per cui consigliamo di abilitare la piena risoluzione per controllare la messa a fuoco, e poi disabilitarla per migliorare le prestazioni.

Chiudere le ante dello scanner

Per migliorare la qualità della scansione è preferibile chiudere le ante scorrevoli dello scanner. Le ante si chiudono automaticamente quando vengono fatte scorrere, grazie a un meccanismo a molla interno. Una volta chiuse, le ante bloccano completamente la luce.

La fonte di luce di alta qualità dello scanner elimina l'inquinamento luminoso, eccetto nei luoghi di lavoro molto illuminati. Poiché la pellicola è abbastanza lucida, potrebbe riflettere le luci del soffitto, successivamente visibili come chiazze nel file di cattura. Per evitarlo, tieni chiuse le ante mentre lo scanner è in funzione.

Una volta caricata la pellicola, stabilita la tensione, messa a fuoco l'immagine e chiuse le ante dello scanner, è possibile avviare la digitalizzazione.

Consulta la sezione "Cintel" nel manuale di DaVinci Resolve per i dettagli sulla calibrazione della fonte luce, sulla regolazione dello stabilizzatore, e per scoprire le impostazioni di cattura delle immagini della sezione Capture. Il manuale di DaVinci indica anche come sincronizzare l'audio ottico e come gestire i file di cattura durante la digitalizzazione.

Per maggiori informazioni sulla manutenzione e sull'assistenza tecnica dello scanner, incluse le specifiche tecniche, consulta le sezioni "Manutenzione" e "Specifiche" a fine manuale.

Come utilizzare lo scanner

Questa sezione illustra come effettuare vari tipi di avvolgimento per la pellicola 8mm e 16mm, mostra come installare e regolare i kit opzionali per i corridoi da 8mm e 16mm e descrive l'utilizzo dei controlli di trasporto presenti su Cintel Scanner.

Direzioni di avanzamento

Il **Wind Type** si riferisce alla posizione di scaricamento e di raccolta, come anche alla direzione in cui si muovono le bobine di svolgimento e di avvolgimento. Nell'immagine Avvolgimento A seguente, la pellicola si svolge/avvolge a partire dall'alto. Nell'immagine Avvolgimento B, la pellicola si svolge/avvolge a partire dal basso. Questo si riferisce sia alla bobina di svolgimento che di avvolgimento.

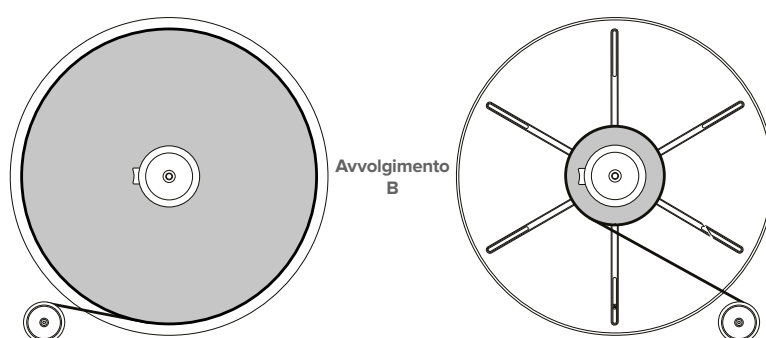
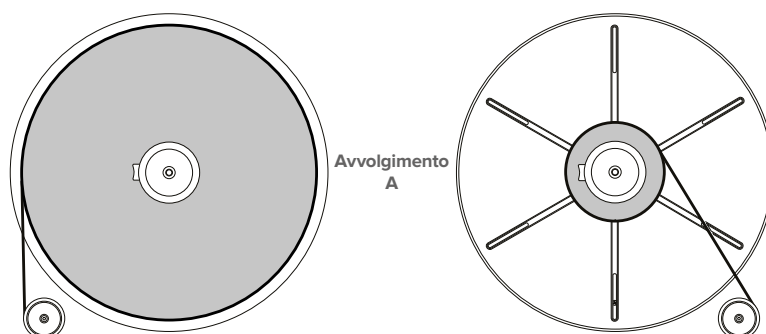
La direzione di avanzamento di default è B/A, ovvero la bobina di svolgimento avanza dalla parte inferiore e la bobina di avvolgimento riceve dalla parte superiore. Se la pellicola a cui stai lavorando è stata avvolta nell'altra direzione, è possibile usare altre combinazioni di avvolgimento A e B. Seleziona la direzione di avanzamento necessaria alle voci **Supply Spool** e **Take Up Spool** nella tab **Film Scanner** di DaVinci Resolve.

Il tipo di avvolgimento determina la direzione in cui ruota ogni bobina, la posizione delle informazioni audio e delle perforazioni, e se la pellicola passa attraverso il corridoio di scorrimento con l'emulsione a faccia in su o in giù, per cui è importante utilizzare la corretta combinazione per il tuo progetto.

Seleziona il tipo di avvolgimento appropriato dalle impostazioni della tab **Film Scanner** su DaVinci Resolve.

Bobina di svolgimento

Bobina di avvolgimento

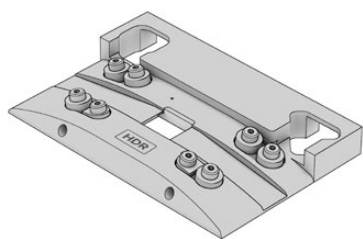


Un modo semplice per ricordare la differenza tra la direzione di avanzamento A e B è che A avanza e riceve dalla parte superiore della bobina, mentre B dalla parte inferiore

Passare al 16mm

Il kit opzionale Cintel Scanner 16mm Gate contiene tutte le parti necessarie per riequipaggiare lo scanner, cambiando pochissime impostazioni.

Corridoio di scorrimento per 16mm



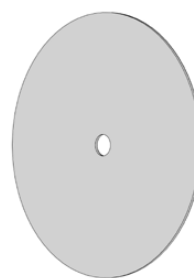
Spaziatore interno per 16mm



Spaziatore esterno per 16mm



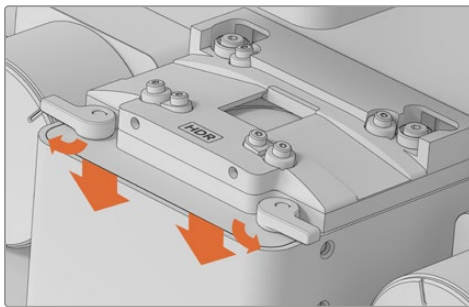
Spaziatore 1mm



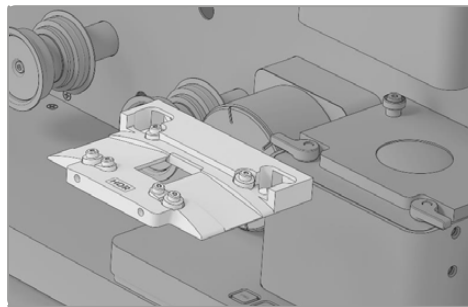
Il kit 16mm contiene un corridoio di scorrimento per il 16mm, due spaziatori interni per il 16mm, due spaziatori esterni per il 16mm e quattro spaziatori 1mm

Sostituire il corridoio di scorrimento

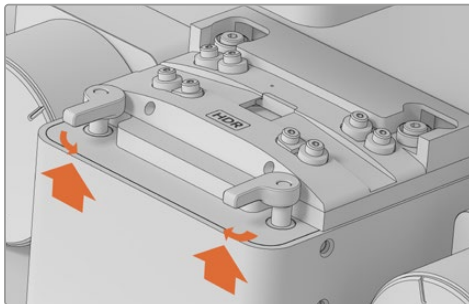
Sostituisci il corridoio di scorrimento per il 35mm con quello per il 16mm premendo verso il basso le leve di ritenzione nella parte anteriore della piastra 35mm e girandole verso l'esterno. Adesso rimuovi il corridoio per 35mm e sostituiscilo con quello per 16mm. Quando inserisci il corridoio di scorrimento, assicurati che le leve di ritenzione siano sollevate completamente prima di girarle verso l'interno, altrimenti si rischia di non fissarlo correttamente.



Per rimuovere il corridoio di scorrimento premi le leve di ritenzione verso il basso e poi ruotalo verso l'esterno



Rimuovi il corridoio di scorrimento per 35mm per installare quello per 16mm



Per fissare il corridoio di scorrimento solleva le leve di ritenzione, poi ruotalo verso l'interno

Inserire lo spaziatore interno per il 16mm

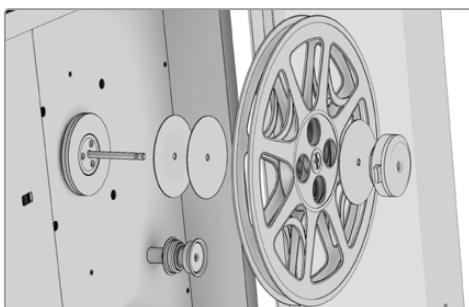
Inserisci lo spaziatore 16mm interno di gomma alla base delle bobine di svolgimento e di avvolgimento. Lo spaziatore va inserito con il lato delle scanalature rivolto verso l'interno prima di inserire un disco di sostegno, una bobina o un rotolo di pellicola.

Spaziatori aggiuntivi (opzionali)

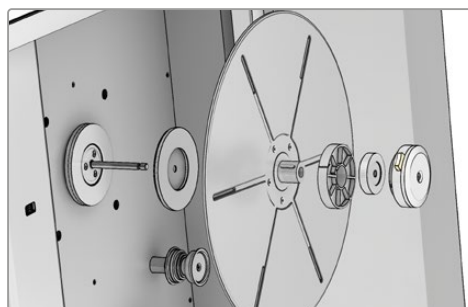
Gli spaziatori di gomma da 1mm aggiuntivi inclusi nel kit 16mm servono per caricare i rotoli di pellicola. Usa questi spaziatori se hai bisogno di regolare l'allineamento della pellicola con i rulli dello scanner.

Inserire la pellicola

Inserisci la pellicola 16mm con o senza bobina nel perno della bobina di svolgimento, e il disco di sostegno e il supporto nella bobina di avvolgimento. Poi installa lo spaziatore esterno per fissare le bobine. Questo spaziatore ha sia una scanalatura che un anello di gomma nel bordo interno per fissarlo rispettivamente al rotolo di pellicola o alla bobina. A questo punto, inserisci la pellicola come di consueto.



Inserimento di una bobina dal perno verso l'esterno: 2x spaziatori interni per 16mm, bobina 16mm, spaziatore esterno e morsetto



Inserimento di un rullo senza bobina dal perno verso l'esterno: spaziatore interno per 16mm, disco di sostegno, pellicola 16mm senza bobina, spaziatore esterno e morsetto

Caricare la pellicola

Svolgi questa operazione come indicato per la pellicola 35mm. Prima di premere **Load** o di applicare una tensione manuale alla pellicola 16mm, assicurati che le perforazioni siano inserite correttamente nella dentatura del rocchetto per evitare di danneggiare la pellicola.

Passare all'8mm

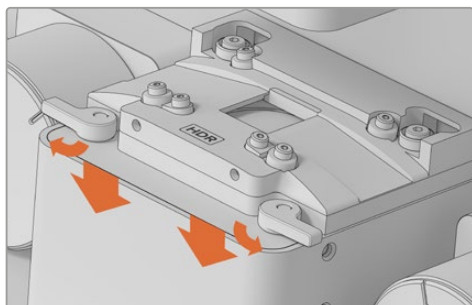
Il kit opzionale Cintel Scanner 8mm Gate contiene tutte le parti necessarie per riequipaggiare lo scanner, cambiando pochissime impostazioni.



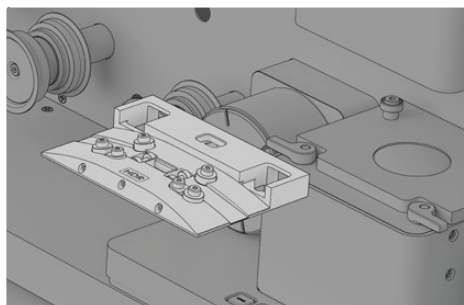
Il kit 8mm contiene un corridoio di scorrimento per l'8mm, due spaziatori interni per 8mm, due spaziatori esterni, quattro spaziatori 1mm e due adattatori per rullo dal 8mm al Super 8mm.

Sostituire il corridoio di scorrimento con quello per 8mm

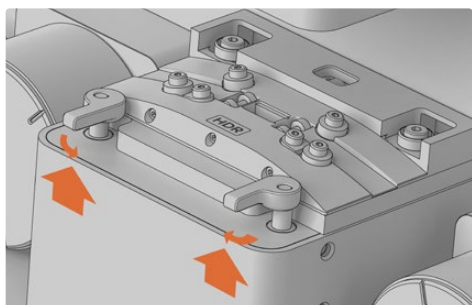
Sostituisci il corridoio di scorrimento con quello per 8mm premendo verso il basso le leve di ritenzione nella parte anteriore della piastra e girandole verso l'esterno. Rimuovilo e sostituisilo con il corridoio di scorrimento per 8mm. Quando inserisci il corridoio, assicurati che le leve di ritenzione siano sollevate completamente prima di girarle verso l'interno, altrimenti si rischia di non fissarlo correttamente.



Per rimuovere il corridoio di scorrimento premi le leve di ritenzione verso il basso e poi ruotate verso l'esterno



Rimuovi il corridoio di scorrimento per il 35mm per installare quello per 8mm



Per fissare il corridoio, solleva le leve di ritenzione poi ruotate verso l'interno

Inserire lo spaziatore interno per 8mm

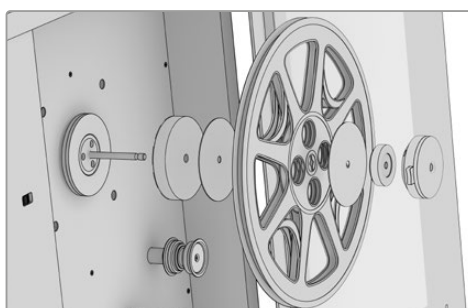
Inserisci lo spaziatore interno di metallo per 8mm alla base delle bobine di svolgimento e di avvolgimento. Lo spaziatore di gomma va inserito con il lato delle scanalature rivolto verso l'interno prima di inserire un rotolo di pellicola.

Spaziatori aggiuntivi (opzionali)

Gli spaziatori di gomma da 1mm aggiuntivi inclusi nel kit 8mm servono per caricare vari tipi di rotoli di pellicola. Usa questi spaziatori a destra o a sinistra della pellicola se hai bisogno di regolarne l'allineamento con i rulli dello scanner.

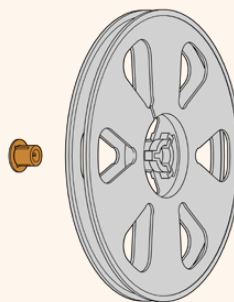
Inserire la pellicola

Inserisci la pellicola 8mm nella bobina di svolgimento e una bobina vuota nella bobina di avvolgimento. Poi installa lo spaziatore esterno per fissare le bobine. A questo punto, inserisci la pellicola come di consueto.



Inserimento di una bobina dal perno verso l'esterno: spaziatore interno per 8mm, spaziatore da 1mm, bobina 8mm, spaziatore da 1mm, spaziatore esterno e morsetto

SUGGERIMENTO Se inserisci una pellicola Super 8mm, inserisci gli adattatori inclusi per Super 8mm in entrambi i lati della bobina. In questo modo la pellicola sarà montata correttamente sul perno.

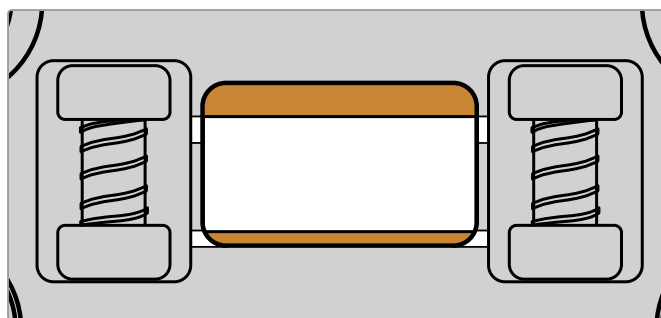


Caricare la pellicola

Svolgi questa operazione come indicato per la pellicola 35mm. Prima di premere **Load** o di applicare una tensione manuale alla pellicola 8mm, assicurati che le perforazioni siano inserite correttamente nella dentatura del rocchetto per evitare di danneggiare la pellicola.

Alternare i formati 8mm

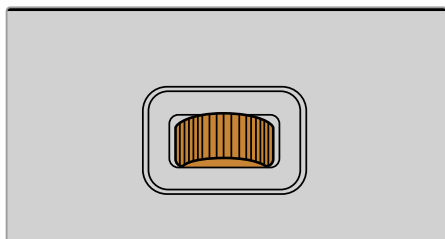
Il corridoio per 8mm opzionale include otturatori con apertura regolabile per passare tra 8mm standard, Super 8mm e Max 8mm. Regolando l'apertura degli otturatori per allinearla con l'area non attiva della pellicola infatti si riduce l'effetto flare sui bordi del frame, ottimizzando la stabilità dell'immagine nelle aree tracciate.



Il corridoio per 8mm include otturatori con apertura regolabile

Sulla parte superiore del corridoio sono presenti linee bianche che si possono allineare a ogni formato della pellicola per facilitarne le regolazioni. Queste linee di riferimento sono utili in caso di restringimento o di variazione di apertura della pellicola. Caricando un campione della pellicola e monitorandola su un display HDMI o su DaVinci Resolve è possibile apportare ritocchi finali.

Per regolare l'apertura degli otturatori:

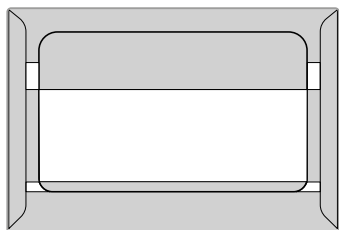


Usa la rotella verso il retro del corridoio per regolare l'otturatore pertinente alle perforazioni in alto. In questo modo puoi alternare 8mm standard e Super 8mm.

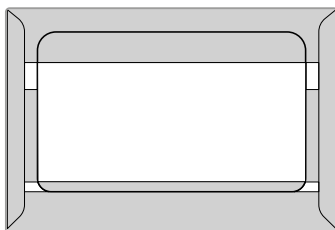


Utilizzando una chiave a brugola da 2mm, ruota la vite centrale nella parte anteriore del corridoio per regolare l'otturatore in basso. In questo modo puoi alternare Super 8mm e Max 8mm.

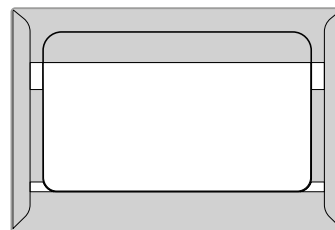
Le illustrazioni qui sotto mostrano le diverse aperture degli otturatori per 8mm standard, Super 8mm e Max 8mm.



8mm standard



Super 8mm



Max 8mm

Una volta regolata l'apertura degli otturatori, inserisci un campione della pellicola e fai i ritocchi finali per allineare l'apertura con l'area non attiva della pellicola.



Posizionamento errato: l'apertura degli otturatori è troppo ampia e sono visibili aree di luce in entrambi i lati dell'immagine



Posizionamento errato: l'apertura degli otturatori è troppo stretta e sono visibili aree scure in entrambi i lati dell'immagine

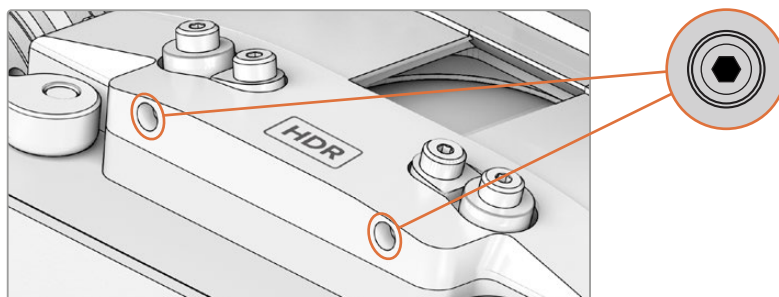


Posizionamento corretto: l'apertura degli otturatori è allineata con i bordi dell'area non attiva della pellicola

Viti di tensione del corridoio per pellicola

I quattro cuscinetti a rullo del corridoio fanno scorrere la pellicola nel percorso prestabilito e ne riducono il rischio di ondeggiamento. Se uno o più cuscinetti non vengono a contatto con la pellicola durante la scansione, è possibile regolarne la tensione. Per farlo, avvita leggermente le 4 viti di tensione M4 sulla parte frontale del corridoio di scorrimento o per 8mm usando un cacciavite a brugola da 2mm.

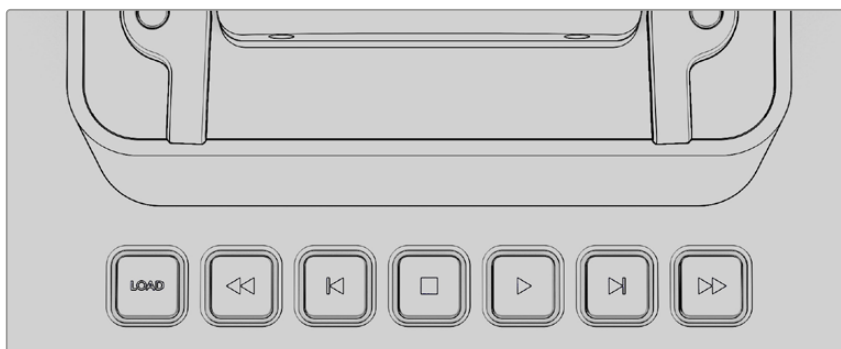
Ricorda che troppa tensione potrebbe di poco spostare la posizione dell'immagine, col rischio di comprometterne la scansione. Se dovesse accadere, allenta la tensione apportata fino a consentire una scansione ottimale.



Le viti di tensione del corridoio per pellicola si trovano sulla parte frontale del corridoio di scorrimento 8mm, 16mm e 35mm

Controlli di riproduzione

I seguenti controlli di riproduzione sono disponibili su DaVinci Resolve e sullo scanner.



I pulsanti di controllo per mettere in tensione la pellicola, allentarla e vedere l'anteprima delle scansioni



Tensionamento

Premi **Load** per mettere in tensione la pellicola inserita nella bobina di svolgimento e di avvolgimento dello scanner, come descritto nella sezione "Inserire la pellicola".

Premendolo nuovamente quando la pellicola è in tensione, i bracci di tensione torneranno in posizione distesa e la pellicola verrà allentata.



Riavvolgimento

Premi questo pulsante per riavvolgere la pellicola nella bobina di svolgimento. Premendolo una volta la pellicola si riavvolgerà rapidamente fino a raggiungere la soglia di un rullo 75mm completo, e a quel punto si interromperà. Premendolo di nuovo, il resto della pellicola si riavvolge lentamente nella bobina di svolgimento per estrarla dal dispositivo.

Se hai caricato una bobina da 50mm, lo scanner si fermerà inizialmente alla soglia del 75mm. Premendo nuovamente il pulsante rallenterà l'operazione fino al punto in cui una bobina 75mm sarebbe completamente riavvolta. A questo punto, se lo scanner rileva pellicola residua, ricomincerà a riavvolgere rapidamente fino a raggiungere la soglia della bobina 50mm, quando si arresterà nuovamente. Premi il pulsante una terza volta per riavvolgere per intero la bobina 50mm. Per le pellicole 8mm la soglia è programmata su 63mm o 32mm a seconda del diametro dei rulli.

Essendo le pellicole 100mm molto rare, lo scanner non è programmato per interrompersi prima di raggiungere la soglia della bobina 100mm. Se hai caricato una pellicola 100mm, fai attenzione al modo in cui la inserisci nella bobina di avvolgimento. Usa l'incavo esistente, oppure se preferisci non piegare la parte finale della pellicola nell'incavo, è sufficiente sfruttare la frizione generata dall'avvolgimento della pellicola su sé stessa. Evita di usare nastro adesivo quando inserisci una pellicola 100mm per assicurarti che si sganci senza problemi.



Indietro

Porta la pellicola indietro di un fotogramma. Tenendo premuto questo pulsante riproduce la pellicola all'indietro a velocità rallentata.



Stop

Interrompe le operazioni di Play, Avanti e Indietro.



Play

Riproduce la pellicola. Il frame rate di default è 24 fps, tuttavia puoi impostare il frame rate di riproduzione in avanti o indietro dalla tab Film Scanner di DaVinci Resolve.



Avanti

Porta la pellicola avanti di un fotogramma. Tenendo premuto questo pulsante riproduci la pellicola in avanti a velocità rallentata.



Avvolgimento

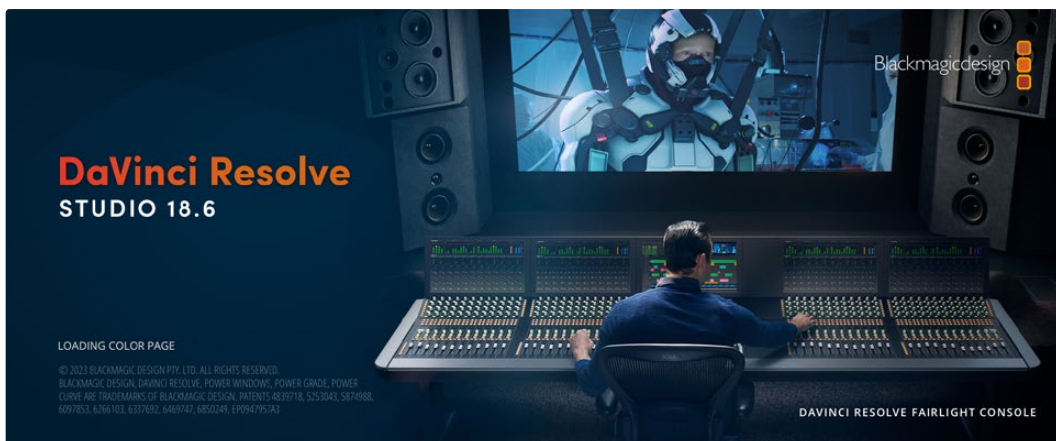
Fa avanzare rapidamente la pellicola nella bobina di avvolgimento. Questa operazione si interrompe allo stesso modo del riavvolgimento delle bobine 50mm, 75mm e 100mm.

Tenendo premuti i pulsanti Indietro o Avanti, lo scanner fa avanzare la pellicola indietro o in avanti a una velocità di 4 fotogrammi per secondo. Per eseguire queste operazioni sul software, clicca e tieni premuto il cursore del mouse sui pulsanti Avanti e Indietro nella tab Film Scanner di DaVinci Resolve.

Modalità standby

Nei periodi di inattività, lo scanner andrà in standby per garantire longevità alla fonte di luce. Questa modalità si attiva dopo 15 minuti se connesso mediante Thunderbolt, o dopo un minuto e mezzo se nessun software è connesso. La fonte di luce lampeggerà di verde per segnalare che lo scanner sta entrando in modalità standby.

Cattura con DaVinci Resolve

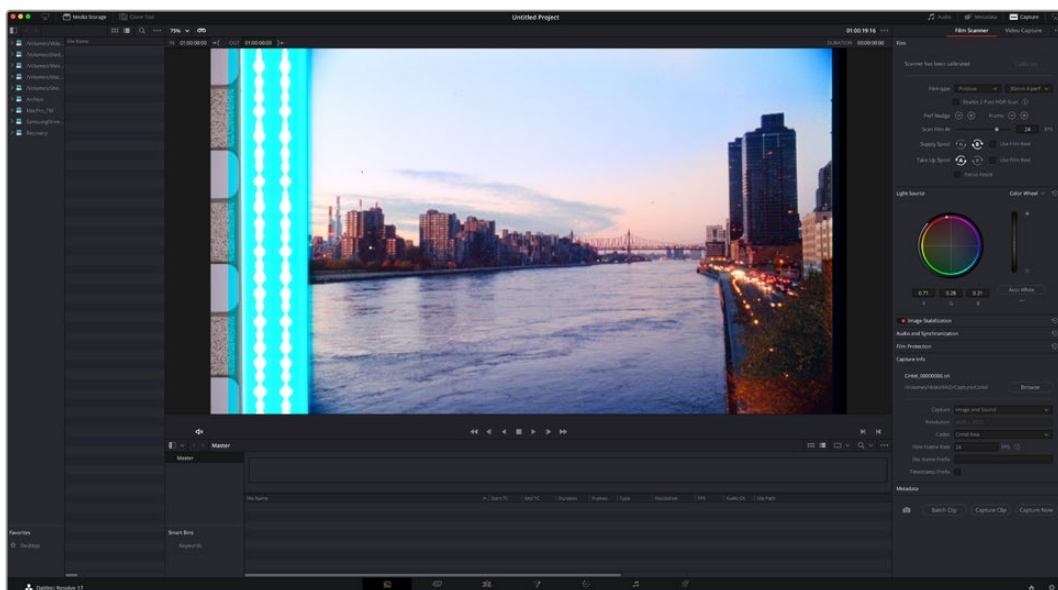


Questa sezione del manuale mostra come regolare i parametri e utilizzare le funzioni nella tab **Film Scanner** di DaVinci Resolve. Tra questi: calibrare lo scanner, regolare la potenza della fonte di luce e la temperatura del colore, impostare la stabilizzazione dell'immagine, e definire il vigore dei meccanismi dello scanner in base allo stato e all'età della pellicola.

SUGGERIMENTO DaVinci Resolve salva tutte le impostazioni dello scanner nel progetto corrente.

Interfaccia di Cintel Scanner

Dalla barra degli strumenti di DaVinci Resolve clicca sul menù **Capture** per controllare lo scanner nella pagina Media. Apri la tab **Film Scanner** per impostare, calibrare e selezionare le opzioni per gestire o digitalizzare la parte selezionata della pellicola attualmente caricata. Per vedere meglio i controlli dello scanner, clicca l'ultimo pulsante a destra della barra degli strumenti e chiudi il menù **Metadata**.



I controlli di Cintel Scanner nella pagina Media

Controlli di trasporto

I controlli di trasporto sotto il viewer, anche se simili a quelli utilizzati in modalità di riproduzione, ora sono impiegati per controllare lo scanner. Troverai controlli aggiuntivi per avanzare o retrocedere di un fotogramma alla volta.

Controlli di selezione

In modalità di cattura, i due pulsanti a destra dei controlli di trasporto definiscono il punto di attacco e di stacco sulla pellicola per la scansione.

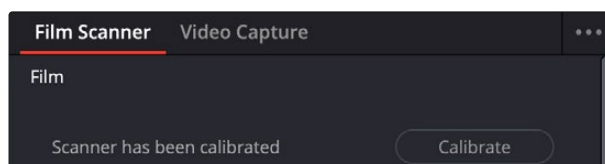
Le seguenti impostazioni appaiono a destra nella pagina Media in modalità Cintel Scanner per digitalizzare le clip dalla pellicola nell'archivio multimediale.

Controlli della pellicola

Questi controlli offrono opzioni per la calibrazione delle ottiche dello scanner, la selezione del tipo di pellicola e di rullo, la velocità di scansione e la direzione di avvolgimento. Inoltre qui si abilita e disabilita la funzione di focus assist.

Calibrate

Questo pulsante consente di calibrare le ottiche dello scanner per eliminare imperfezioni o polvere altrimenti irrimovibili (ma non rimuove la polvere dalla pellicola stessa).



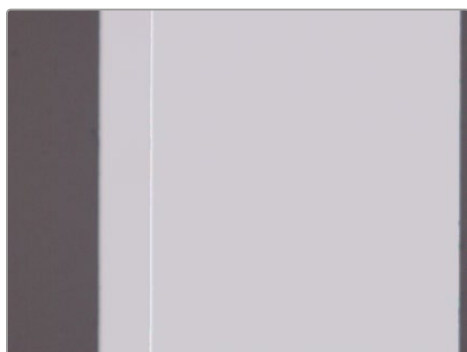
Calibrate può essere utilizzato per rimuovere polvere o piccole imperfezioni dalle ottiche dello scanner Cintel

Anche se è consigliabile adoperare uno spray ad aria compressa per pulire le ottiche prima di digitalizzare materiale nuovo, è possibile che col tempo appaiano macchie irrimovibili. In questo caso usa il pulsante **Calibrate** per eliminarle dall'immagine digitalizzata.

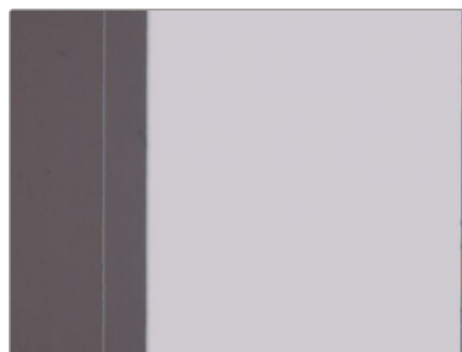
Calibra le ottiche con il corridoio di scorrimento installato e allineato poiché questo favorisce la stabilizzazione dell'immagine e ne migliora la qualità.

Per supportare i piccoli formati di pellicola il pulsante di calibrazione analizza il corridoio installato e regola l'immagine catturata secondo un dato di riferimento. Il processo di calibrazione deve essere avviato ogni volta che si sostituisce il corridoio, senza la pellicola, per ottenere prestazioni ottimali.

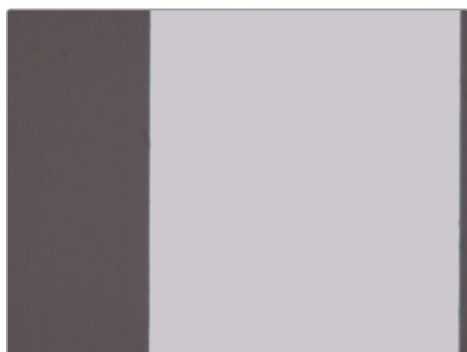
Se stai utilizzando il corridoio 8mm e hai regolato l'apertura degli otturatori su un formato 8mm diverso, sarà necessario ripetere il processo di calibrazione per evitare il verificarsi di un'immagine sbiadita della calibrazione precedente.



Calibrazione errata: pellicola Super 8mm con calibrazione per 8mm standard



Calibrazione errata: pellicola 8mm standard con calibrazione per Super 8mm

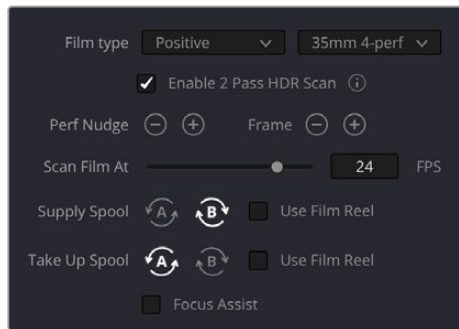


Calibrazione corretta della pellicola 8mm standard

Film type

Questa impostazione ti consente di scegliere il tipo di pellicola da digitalizzare tra positiva, negativa, interpositiva e internegativa, sia per la pellicola in bianco e nero che a colori. La scansione HDR migliora i risultati per tutti questi tipi di pellicola. I tipi di bobina selezionabili sono 35mm a 2, 3, e 4 perforazioni, 16mm, Super 8mm e 8mm. Lo scanner rileva automaticamente se la pellicola è 35mm, 16mm o 8mm. La scansione dell'8mm è impostata di default sul Super 8mm. Se si desidera scansionare la pellicola 8mm standard, bisognerà impostare lo scanner manualmente su quel formato.

Quando digitalizzi una pellicola interpositiva e internegativa con Cintel Scanner e Cintel Scanner G2, l'alta densità richiede pulsazioni più lunghe della fonte di luce. Questo in genere non influisce sulla digitalizzazione, ma la risoluzione potrebbe diminuire leggermente quando il frame rate supera i 12 fps. Se noti una differenza nella risoluzione, riduci la velocità di digitalizzazione a 12 fps o minore.



Le impostazioni del tipo di pellicola nella pagina Media

Enable 2 Pass HDR Scan

Spunta questa opzione per abilitare la scansione HDR a più passaggi. È importante selezionare **Auto black** o **Auto white**, ovvero l'auto-calibrazione del nero o del bianco per i fotogrammi con HDR perché determina i livelli di esposizione più alti e normali dell'immagine.

Perf nudge

Utilizza i pulsanti + e - per regolare con precisione la posizione delle perforazioni rispetto all'apertura del corridoio. Sulla tastiera, premi **Command + J** per spostarti verso l'alto, e **Command + L** verso il basso.

Frame

Tieni premuti questi pulsanti per attivarli. La pellicola si muove in avanti di un fotogramma con + e indietro con -, e si ferma quando rilasci il pulsante.

Questa funzione è utile per allineare il fotogramma della pellicola con il sensore dello scanner. Usa i pulsanti **Perf nudge** e **Frame** per allineare il fotogramma della pellicola in modo tale che la parte inferiore del fotogramma precedente e la parte superiore di quello successivo siano appena visibili in alto e in basso sul viewer, con il fotogramma corrente centrato verticalmente.

Durante questa operazione è importante assicurarsi che l'immagine nel viewer non sia ingrandita. Sulla tastiera, **Command + freccia sinistra** sposta il fotogramma verso l'alto, mentre **Command + freccia destra** sposta il fotogramma verso il basso.

Scan Speed

Se la prestazione del disco è adeguata, dovresti essere in grado di scansionare a una velocità di 30 fps. Ma se stai digitalizzando su un hard drive lento, con questo slider puoi ridurre la velocità di scansione a un frame rate che eviti la perdita di fotogrammi.

Supply Spool

Imposta la direzione di avanzamento della bobina di svolgimento. Anche se il rilevamento automatico previene operazioni scorrette, è importante configurare manualmente la direzione di avanzamento in base a come è avvolta la pellicola.

Take Up Spool

Imposta la direzione di avanzamento della bobina di avvolgimento. Anche se il rilevamento automatico previene operazioni scorrette, è importante configurare manualmente la direzione di avanzamento in base a come è avvolta la pellicola.

Use Film Reel

Le bobine di piccole dimensioni hanno un peso e un'inerzia diversi rispetto a quelle più grandi, e questo può ripercuotersi sul meccanismo di trasporto. Spunta questa casella per migliorare la stabilità delle bobine di piccole dimensioni.

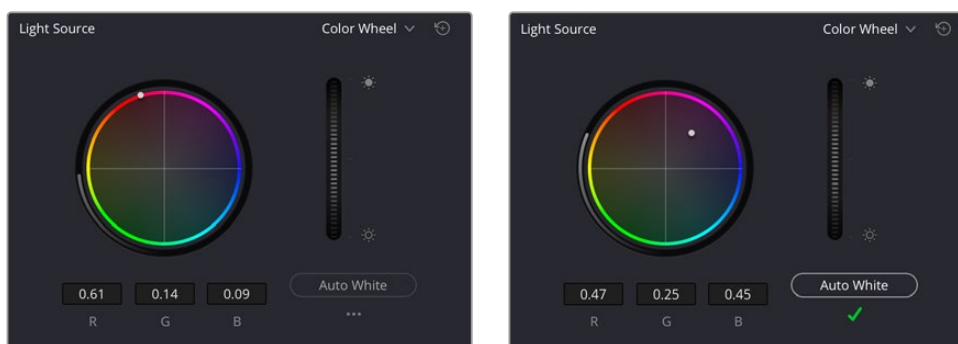
Focus assist

Abilita il peaking di luminanza sull'uscita HDMI di monitoraggio dello scanner, e anche sul viewer della tab Film Scanner di DaVinci Resolve. Questa funzione favorisce una messa a fuoco ottimale.

Regolare la fonte di luce

Questi controlli consentono di regolare la fonte di luce di Cintel Scanner per calibrare la densità minima (Dmin) ottimale. La densità minima sarà il valore minimo della scansione e del colore della temperatura del materiale scansionato. Regolando le impostazioni della fonte di luce otterrai digitalizzazioni della migliore qualità ed eviterai il clipping delle immagini durante la scansione. È consigliabile controllare le impostazioni della fonte di luce ogni volta che si cambia la pellicola per massimizzare la qualità della cattura.

Utilizza i visualizzatori di livello integrati in DaVinci Resolve per impostare la fonte di luce sui livelli ottimali. Accedi ai visualizzatori nella pagina Media selezionando **Workspace > Video Scopes > On**.



La sezione Light Source. Impostazioni di default della fonte di luce pre-calibrazione (a sinistra) e post-calibrazione (a destra)

Rotella master della fonte di luce

La rotella verticale master della fonte di luce si trova a lato della ruota di colore e serve per regolare l'intensità della luce utilizzata per illuminare la pellicola, allo stesso tempo aumentando e abbassando i livelli di RGB. Nel caso di un negativo standard, permette di regolare il nero dell'immagine, ovvero la parte più scura. Nella pellicola negativa, regola le zone di luce. Regola l'intensità della luce ad un livello ottimale, appena sopra il tipico valore di 95 Dmin, secondo quanto indicato nell'istogramma. Questo livello garantisce che le zone di luce non subiscano clipping in una conversione LOG in stile Cineon. Per la pellicola positiva, regola la rotella master in modo che il segnale non subisca clipping.

Auto Black / Auto White

Analizza il fotogramma visualizzato dal viewer e regola automaticamente il punto di nero del negativo e dell'internegativo avvalendosi dell'area della barra di inquadratura. Per i positivi e gli interpositivi, si avvale dell'area più brillante delle zone di luce dell'immagine per impostare il punto di bianco, pertanto è fondamentale selezionare il fotogramma più adeguato. In alternativa, per le pellicole positive si può bucare un fotogramma con una perforatrice per ottenere il valore massimo di bianco e far sì che tutti i fotogrammi successivi siano conformi. Per le pellicole positive, il pulsante Auto Black diventa Auto White.

Indicatori di stato della fonte di luce

Posizionati sotto il pulsante Auto, questi indicatori confermano se la calibrazione automatica del nero o del bianco è andata a buon fine o se ci sono elementi che necessitano di ulteriore regolazione. Sono anche utili per ricordarti di ricalibrare la fonte di luce LED per ottenere scansioni della migliore qualità.

	Calibrazione della fonte di luce non ancora eseguita.
	Calibrazione della fonte di luce completata con successo.
	Calibrazione della fonte di luce non riuscita. Controlla che il tipo di pellicola selezionato sia corretto, il percorso della luce non sia ostruito, e il fotogramma di riferimento sia selezionato. Se necessario, cambia il fotogramma di riferimento con uno successivo nella pellicola.
	Calibrazione della fonte di luce eseguita ma con un bilanciamento dei colori insufficiente. In questo caso puoi accettare la scansione bilanciata e ottimizzare l'immagine nella pagina Color di DaVinci Resolve, oppure selezionare un altro fotogramma di riferimento con una maggiore gamma dinamica per la calibrazione.

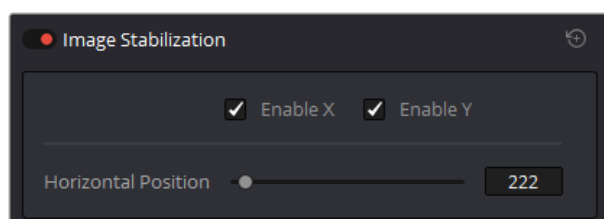
Canali RGB

In generale, il bilanciamento del colore consente di regolare tutti e tre i canali RGB (rosso, verde e blu), e di conseguenza la temperatura del colore della fonte di luce utilizzata per illuminare la pellicola. I valori regolati dei singoli canali R, G, e B sono visualizzati nei tre campi sottostanti. Puoi anche cliccare sul pop-up in alto a destra della finestra Light Source per visualizzare le barre di colore verticali **Color Bars** di RGB.

NOTA La calibrazione della fonte di luce viene mantenuta quando si cambia il rullo della pellicola. In questo modo potrai scansionare vari rulli con una sola calibrazione della fonte di luce in entrambe le modalità SDR e HDR. L'ultima calibrazione verrà salvata finché non ne viene eseguita una nuova o finché Cintel Scanner non viene riavviato.

Stabilizzazione immagine

I controlli di **Image Stabilization** consentono di abilitare, disabilitare o anche di regolare la stabilizzazione dell'immagine per eliminare eventuali salti verticali e slittamenti orizzontali della pellicola.



Controlli di stabilizzazione dell'immagine nella pagina Media

Stabilizzazione dell'immagine On / Off

Cliccando sul punto colorato a sinistra della voce **Image Stabilization** abiliti o disabiliti completamente la stabilizzazione dell'immagine dello scanner. La stabilizzazione hardware è generalmente preferibile in presenza di perforazioni di alta qualità, ma in presenza di perforazioni di qualità inferiore consigliamo di disabilitare questa funzione ed effettuare la stabilizzazione con il software DaVinci.

Con la funzione di stabilizzazione dell'immagine abilitata, sul viewer comparirà un overlay in forma di asse orizzontale X che indica la parte della perforazione della pellicola utilizzata come riferimento per la stabilizzazione. Questo overlay è nascosto automaticamente durante la registrazione. La stabilizzazione dell'immagine è abilitata di default.

Enable X / Enable Y

Spunta le caselle per usare la stabilizzazione hardware dell'immagine per correggere lo slittamento (X) o i salti del corridoio (Y). Se pur avendo selezionato entrambi gli assi i risultati sono insoddisfacenti, prova a disabilitare quello che causa problemi di stabilizzazione e usa gli strumenti software di stabilizzazione di DaVinci Resolve.

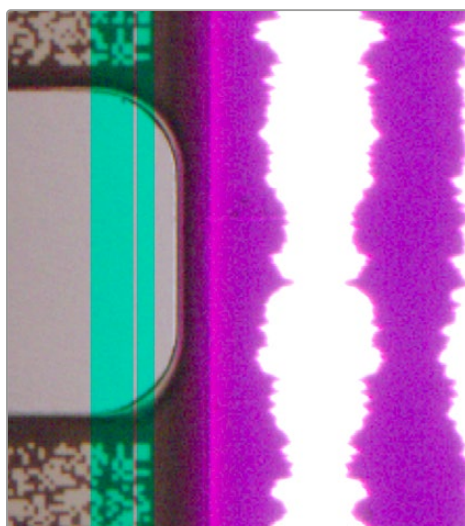
Horizontal Position

Al fine di ottenere una stabilizzazione ottimale, Cintel Scanner cerca automaticamente di posizionare gli overlay in linea con la perforazione del fotogramma attualmente caricato.

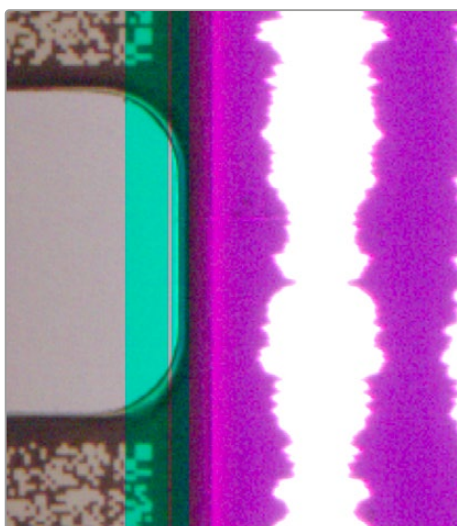
Noterai una sottile linea trasparente nell'overlay di allineamento blu. Per i migliori risultati, questa linea deve toccare il bordo della perforazione. Se non è posizionata perfettamente, puoi spostare gli overlay con il mouse sul viewer, o utilizzare lo slider.

La posizione ideale degli overlay di stabilizzazione si ottiene con la linea trasparente dell'overlay di allineamento sul bordo della perforazione, come mostrato nell'illustrazione di destra. Il posizionamento corretto degli overlay abilita la stabilizzazione hardware del corridoio sull'asse orizzontale X.

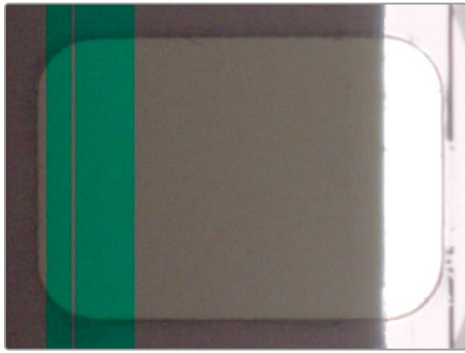
Quando è spuntata la casella Enable Y, la stabilizzazione dell'immagine gestisce automaticamente l'asse verticale. Non sono necessari ulteriori regolazioni e funziona congiuntamente alla stabilizzazione orizzontale.



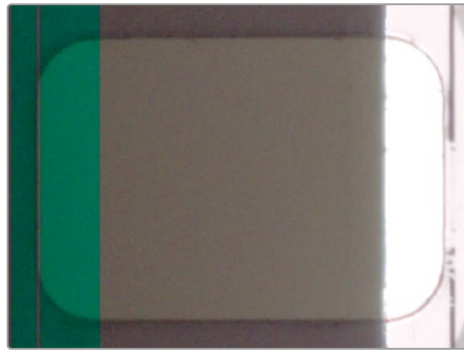
Posizionamento incorretto del 35mm. L'overlay di stabilizzazione va riposizionato lungo l'asse orizzontale perché non è allineato con il bordo della perforazione.



Posizionamento corretto del 35mm. Il controllo di stabilizzazione hardware è ben posizionato sulla perforazione nel viewer. La banda trasparente dell'overlay di stabilizzazione tocca il bordo della perforazione.



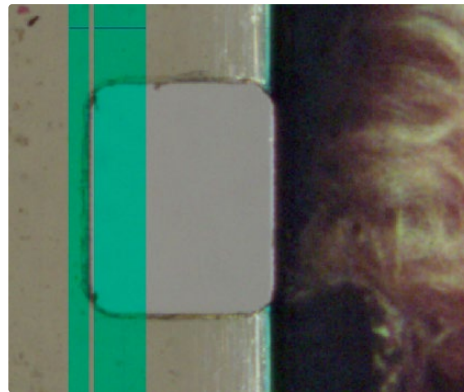
Posizionamento incorretto del 16mm. L'overlay non è allineato con il bordo della perforazione. In presenza del corridoio di scorrimento HDR 16mm, lo stabilizzatore si allinea automaticamente con l'altro lato della perforazione per non interferire con le immagini della pellicola e migliorare la stabilizzazione orizzontale. In presenza di un corridoio di scorrimento 16mm non HDR, il sistema funziona come per il corridoio di scorrimento 35mm.



Posizionamento corretto del 16mm. La posizione di allineamento di default dell'overlay di stabilizzazione è sul bordo sinistro della perforazione, non vincolata al contenuto dell'immagine. La banda trasparente dell'overlay di stabilizzazione tocca correttamente il bordo della perforazione.



Posizionamento incorretto del 8mm. L'overlay non è allineato con il bordo della perforazione.



Posizionamento corretto del 8mm. La posizione di allineamento di default dell'overlay di stabilizzazione è sul bordo sinistro della perforazione, non vincolata al contenuto dell'immagine. La banda trasparente dell'overlay di stabilizzazione tocca correttamente il bordo della perforazione.

Per valutare attentamente l'esito delle impostazioni di stabilizzazione puoi impostare il viewer a piena risoluzione e zoomare sull'area della perforazione. Clicca sul pulsante delle opzioni in alto a destra del viewer e seleziona **Full Resolution Preview** dal menù, poi clicca sul livello dello zoom in alto a sinistra del viewer e seleziona **100%**. Queste impostazioni non incidono sulla funzione di stabilizzazione, ma semplicemente consentono di monitorarla con precisione ottimizzando l'anteprima.

L'anteprima a piena risoluzione è intensiva per la GPU e può causare un leggero ritardo nella lettura dei fotogrammi. Dopo aver controllato la stabilizzazione, disabilita l'anteprima a piena risoluzione per ottenere le migliori prestazioni. Ricorda che la posizione dell'overlay viene salvata nelle impostazioni del progetto, non della clip, e pertanto ogni altro rullo di pellicola potrebbe richiedere ulteriori regolazioni.

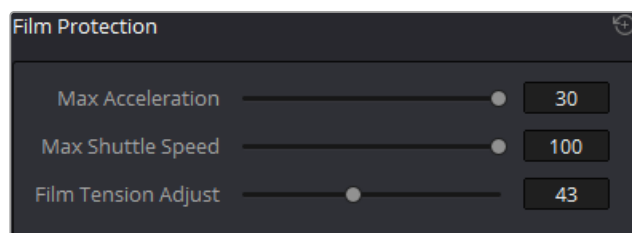
Il pulsante di reset nella finestra della funzione di stabilizzazione consente di riportare l'overlay di rilevamento alla posizione di default per un determinato tipo di pellicola.

Audio and Synchronization

Questa palette contiene le impostazioni per il modulo opzionale Cintel Audio and KeyCode Reader. Per maggiori informazioni vai alla sezione “L'accessorio Audio and KeyCode Reader”.

Protezione pellicola

I controlli di **Film Protection** sono progettati per gestire pellicole particolarmente delicate con Cintel Scanner. La digitalizzazione e la riproduzione accelerata di pellicole d'archivio può risultare dannosa. Consigliamo di abbassare i valori di entrambi gli slider dalla loro posizione di default.



Gli slider Max Acceleration e Max Shuttle Speed vanno abbassati quando si digitalizza pellicola d'annata

NOTA Lo slider Film Tension Adjust appare quando lo scanner utilizza i rocchetti dentati.

Max Acceleration

Imposta il cambiamento massimo della velocità di scansione, aumentandola o diminuendola di 5-30 fps per secondo.

Max Shuttle Speed

Cambia la velocità di spostamento da una sezione all'altra della pellicola, tra 1-100 fps per il 35mm e tra 1-200 fps per il 16mm.

Film Tension Adjust

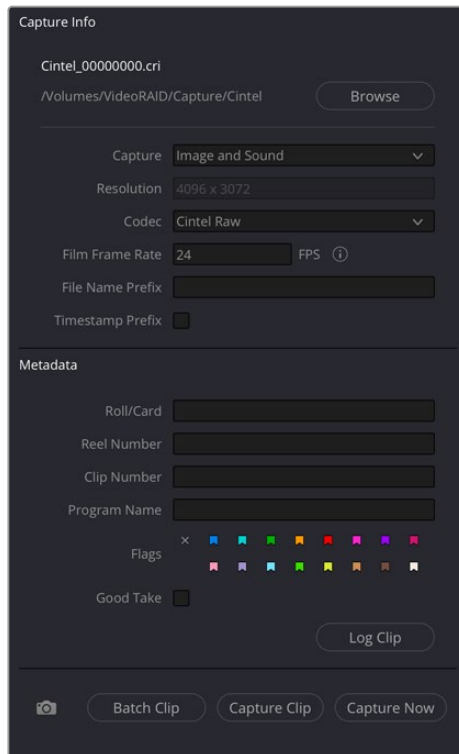
Se lo scanner è dotato di rocchetti dentati, usa questa impostazione per regolare la tensione applicata alla pellicola 35mm, per es. per inserire quelle d'archivio più delicate o per compensarne il restringimento. Questa impostazione non danneggia mai la pellicola. I valori sono minimi, e per prevenire intoppi con il rocchetto dentato basta una lieve regolazione.

Se Cintel Scanner è dotato di rulli capstan non si rischia di danneggiare le perforazioni, e pertanto questa impostazione è disabilitata o assente.

Modificare i metadati in Capture Info e Metadata

Quando usi DaVinci Resolve con Cintel Scanner, nella parte inferiore della tab **Film Scanner** di DaVinci Resolve appaiono una serie di campi per i metadati della scansione. La sezione **Capture Info** è composta da campi per modificare i metadati di acquisizione, per esempio dove salvare i file, il tipo di codec, il frame rate e il formato della denominazione dei file. I metadati sono legati alla clip e sono accessibili nella pagina Media.

Prima di iniziare a digitalizzare, consigliamo di regolare alcune impostazioni di progetto.



La sezione Capture Info consente di impostare i metadati della clip digitalizzata

Capture Location

Prima di iniziare la digitalizzazione, scorri alla sezione **Capture Info** della tab Film Scanner di DaVinci Resolve per assicurarti che i file digitalizzati vengano salvati nella directory e nel volume desiderati. Clicca il pulsante **Browse** e scegli la destinazione del file dalla finestra di dialogo. Consigliamo di farlo come primo passo, poiché è facile dimenticarsene.

Capture

Quando è installato Audio and KeyCode Reader, questo menù offre le opzioni **Audio Only** per catturare solo l'audio, **Image and Sound** per audio e immagini, **Image Only** per le sole immagini.

Resolution

La risoluzione dei file di cattura dipende dal formato della pellicola, per cui questo campo non può essere modificato.

Codec

DaVinci Resolve seleziona di default il codec **Cintel Raw** per la compressione lossless. Puoi anche scegliere **Cintel Raw 3:1** per ottenere file dalle dimensioni ancora più piccole.

Film Frame Rate

Specifica il frame rate originale della pellicola. In base al valore scelto, Resolve aggiorna automaticamente il frame rate della timeline. Questa impostazione non ha effetto sull'acquisizione o sulla velocità di avvolgimento / svolgimento.

Quando usi il lettore opzionale Audio and KeyCode Reader per digitalizzare l'audio, il frame rate si auto regola per mantenere una frequenza di campionamento di 48kHz. L'uscita timecode supporta 16, 24, 25 e 30 fps. Per qualsiasi altro frame rate non viene trasmesso alcun timecode.

File Name Prefix

Inserisci un prefisso per identificare la digitalizzazione. Usa il nome del progetto, per esempio il titolo della pellicola che stai digitalizzando.

Timestamp Prefix

Spunta questa casella per aggiungere una marca temporale al prefisso del nome specificato. Le clip verranno salvate in sottocartelle indipendenti nella cartella di destinazione. La casella è spuntata di default.

Se vuoi salvare tutte le tue clip in un'unica cartella master di destinazione, senza il timecode nel nome del file, basta semplicemente rimuovere la spunta.

NOTA Utilizzando denominazioni uniche con un prefisso contenente una marca temporale per i file di cattura che si salvano nella stessa cartella, elimini il rischio di sovrascriverli.

Roll/Card, Reel Number, Clip Number, Program Name

Identificano le clip con i metadati di (rispettivamente): nome pellicola/scheda, numero della pellicola, nome del programma.

Flags

Usa queste bandierine colorate per etichettare le clip.

Ripresa buona

Corrisponde ai metadati **Circled Take** nell'archivio multimediale.

Log Clip

Aggiunge la clip all'archivio multimediale. Dopo aver contrassegnato i punti In e Out di una sezione che vuoi digitalizzare, conferma che i metadati siano corretti, e poi clicca **Log Clip**. Per maggiori informazioni su come salvare e digitalizzare una o più clip, consulta la sezione "Logging and Capturing Individual Clips" o "Logging and Capturing Multiple Clips" del manuale di DaVinci Resolve.

Batch Clip, Capture Clip, Capture Now, e Snapshot:

Questi pulsanti selezionano diversi metodi di digitalizzazione delle clip. Per maggiori informazioni sui pulsanti di cattura, consulta la sezione "Digitalizzare una o più sezioni della pellicola" di questo manuale.

Digitalizzare la pellicola

In questa sezione viene descritto come digitalizzare la pellicola adoperando DaVinci Resolve e come controllare Cintel Scanner. Le funzioni indicate nella sezione precedente sono presentate nell'ordine in cui ogni passo va effettuato nel processo di digitalizzazione.

Prima di iniziare

Prima di accendere lo scanner e caricare la pellicola, è necessario spolverare il corridoio di scorrimento per assicurarsi che la digitalizzazione sia la migliore possibile. Puoi utilizzare aria compressa, oppure se il corridoio è particolarmente sporco puoi rimuoverlo per pulirlo più a fondo. Completata l'operazione, accendi Cintel Scanner, apri DaVinci Resolve e crea il progetto che userai per digitalizzare la pellicola, e clicca il pulsante **Cintel scan** nella pagina Media. Ora clicca sulla tab **Film Scanner** di DaVinci Resolve.

Prima di caricare la pellicola nello scanner o di fare qualsiasi altra cosa, premi il tasto **Calibrate** in basso a sinistra della tab **Film Scanner**. Anche se è buona norma spolverare sempre il corridoio dello scanner prima di caricare un nuovo rullo di pellicola, premere il pulsante di calibrazione elimina qualsiasi imperfezione irrimovibile presente nelle ottiche dello scanner dalla pellicola che stai per digitalizzare.

Inserire e allineare la pellicola

Inserisci la pellicola che vuoi digitalizzare. In presenza di un'immagine lo scanner automaticamente allineerà un fotogramma. Se carichi la parte iniziale vuota della pellicola, i fotogrammi potrebbero non essere perfettamente allineati.

Ora seleziona il tipo di pellicola inserito. Se necessario usa i pulsanti **Perf nudge** e **Frame** per allineare manualmente la barra di inquadratura al sensore dello scanner, in modo tale che la parte inferiore del frame precedente e la parte superiore di quello successivo siano visibili nella parte alta e bassa del viewer, e il frame corrente sia centrato verticalmente. Durante questa operazione è importante assicurarsi che l'immagine nel viewer non sia ingrandita.

Focalizzare lo scanner

Come per gli obiettivi delle videocamere, è necessario mettere a fuoco le immagini della pellicola proiettata sul sensore dello scanner. Per ottenere il focus perfetto, spunta la casella **Focus Assist** nelle impostazioni di cattura di Film Scanner su DaVinci Resolve. Questa funzione sovrappone un overlay di focus peaking all'immagine Ultra HD in uscita dalla porta HDMI dello scanner, visualizzabile anche nella finestra di cattura **Capture** di DaVinci Resolve. Per i migliori risultati collega un monitor Ultra HD allo scanner Cintel, per poter monitorare con la massima risoluzione mentre metti a fuoco.

Quando Focus Assist è abilitato, il focus peaking rileva la grana della pellicola dell'immagine digitalizzata quando il piano della pellicola è perfettamente a fuoco. Questo ti consente di focalizzare lo scanner anche se l'immagine non è a fuoco. Basta monitorare l'uscita Ultra HD dello scanner mentre regoli la rotella di messa a fuoco di Cintel. L'immagine sarà a fuoco quando la grana che attraversa l'immagine mostra linee di peaking.

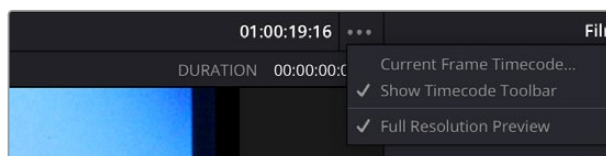
Verifica l'effetto della regolazione della messa a fuoco apportata controllando i bordi delle perforazioni della pellicola. Quando sono nitidi, la pellicola è a fuoco.

Resettare il timecode

Per impostare il timecode per la pellicola che stai per digitalizzare, è necessario individuare il fotogramma zero del rullo. È prassi fare un piccolo foro sul fotogramma precedente al fotogramma zero, ovvero l'inizio della pellicola, come riferimento permanente per la digitalizzazione. In inglese questo viene chiamato *marker frame*, *lab roll hole*, o *head punch*. Appaiando sempre il primo fotogramma del timecode al marker frame, le digitalizzazioni successive avranno lo stesso numero di fotogrammi delle digitalizzazioni precedenti, consentendo di ridigitalizzare e riconformare lo stesso materiale se necessario.

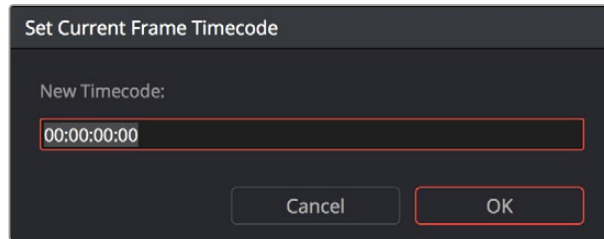
Per resettare il timecode digitale sul marker frame di una nuova pellicola:

- 1 Utilizza i controlli di trasporto sotto il viewer per individuare il marker frame.
- 2 Clicca l'opzione del menù **Viewer** e seleziona **Current Frame Timecode**.



Seleziona Current Frame Timecode dal menù Viewer

- 3 Inserisci un valore di timecode nella finestra di dialogo che appare. Per esempio se stai digitalizzando il primo rullo di pellicola per un progetto, puoi inserire 01:00:00:00.



La finestra di inserimento timecode iniziale

- 4 Conferma con **OK**.

Il timecode non può avere valore negativo, per cui non numerare il primo frame con zero. Un altro metodo comune è cambiare il numero dell'ora ogni volta che si cambia il rullo di pellicola, per farlo coincidere con il numero del rullo stesso. Così facendo è più semplice identificare una clip digitalizzata con il corrispondente rullo di pellicola.

Cintel Scanner integra interfacce specifiche per collegare componenti opzionali in un secondo momento, per esempio un lettore KeyKode per il negativo della camera, o un lettore di audio ottico/magnetico. Per maggiori informazioni leggi la sezione "L'accessorio Audio and KeyKode Reader".

Selezionare la destinazione dei fotogrammi digitalizzati

Dopo aver fatto quanto sopra, nella tab **Film Scanner** di DaVinci Resolve scorri in basso fino alla sezione **Capture Info** e clicca su **Browse** per scegliere la destinazione dei file digitalizzati. Sono presenti altri campi in questa sezione per aggiungere un prefisso al nome dei file digitalizzati e delle relative cartelle. **File Name Prefix** aggiorna l'anteprima del nome del file indicata nell'intestazione, la quale mostra anche il percorso del file, la risoluzione, il frame rate, la durata, e il formato. Specifica quale rullo, pellicola, numero della clip, e informazioni di programma vuoi associare ai media digitalizzati. La casella **Timestamp Prefix** è spuntata di default e salva le clip in cartelle indipendenti all'interno della cartella di destinazione, con il timecode incluso nel prefisso del nome del file.

Se vuoi salvare tutte le tue clip in un'unica cartella master di destinazione, rimuovi la spunta.

Se digitalizzi una clip in HDR, lo scanner esegue una scansione ad alta esposizione e la salva in una cartella nascosta chiamata **.HDR** all'interno della stessa cartella della scansione standard. Se cancelli la cartella **.HDR**, la scansione diventa una clip normale dopo aver fatto un refresh nel Media Storage e aver reimportato la clip nell'archivio multimediale Media Pool. Questo metodo è utile se c'è un problema nella porzione HDR della scansione, perché si può riconvertire facilmente in una normale clip CRI.

Controllare i codec

DaVinci Resolve seleziona di default il codec **Cintel Raw**, oppure puoi scegliere **Cintel Raw 3:1**.

Il formato Cintel Raw

La matrice di Bayer di ogni fotogramma scansionato dal sensore dello scanner viene salvata con i metadati integrati come una sequenza immagine lineare a 12 bit Cintel Raw Image (CRI). Durante il grading su DaVinci Resolve, le immagini CRI vengono automaticamente debayerizzate come dati immagine codificati a 12 bit.

La codifica logaritmica è simile, ma non identica, alla codifica Cineon. Per esempio la pellicola negativa viene codificata con una gamma di densità di 2,046, mentre la pellicola positiva è codificata con una curva gamma completa di 2,2 per evitare che le immagini subiscano clipping. Entrambe queste codifiche logaritmiche si possono convertire in uno spazio colore lineare usando la LUT 1D Cintel to Linear prima di convertire gli altri spazi colore in cui intendi lavorare.

La pellicola viene scansionata con l'apertura massima del sensore di 4096 x 3072, per mantenere visibile la forma d'onda audio per l'audio ottico e le perforazioni ai fini della stabilizzazione. In seguito l'immagine viene ritagliata e la risoluzione dei file acquisiti dipende dal formato della pellicola sorgente, una volta rimosse le perforazioni e la sezione audio. Per maggiori dettagli sulle risoluzioni di scansione in base al tipo di pellicola, consulta la sezione "Specifiche" alla fine del manuale.

Di default lo scanner Cintel crea file Cintel Raw a bitrate variabile con compressione lossless. Si tratta di una compressione visivamente lossless che genera una riduzione della dimensione del file di 3:2 a seconda del contenuto dell'immagine. Invece Cintel Raw 3:1 usa una compressione lossy con un rapporto di circa 3:1, producendo file di altissima qualità, ma non sempre visivamente lossless. Per esempio i file per il 35mm con 4 perforazioni sono di circa 12,5 MB in Cintel Raw e circa 6,3 MB in Cintel Raw 3:1. I file per il 16mm sono di circa 4 MB in Cintel Raw e di circa 2 MB in Cintel Raw 3:1.

Impostazioni di qualità per CinemaDNG

Per definire la qualità dei file CRI, usa le impostazioni **Decode Quality** e **Play Quality** per CinemaDNG nel menù **Camera Raw** della finestra **Project Settings**. Le impostazioni mostrano la voce Full di default. Sui computer a bassa prestazione in termini di processore e memoria, puoi cambiare le impostazioni ma con il rischio di intaccare la qualità del render finale.

Impostare la risoluzione per la timeline

DaVinci Resolve mostra e renderizza i contenuti in arrivo dallo scanner alla stessa risoluzione della timeline. Per esempio per la pellicola 35mm a 4 perforazioni sarebbe necessaria una risoluzione di 4096 x 3072 per ottenere la risoluzione massima.

NOTA Se la timeline è impostata su HDR e il materiale da esportare è in Ultra HD, è probabile che si verifichi una perdita di risoluzione.

Per tutti i dettagli sulla risoluzione dell'area di crop delle immagini in tutti i formati, consulta la sezione "Risoluzioni effettive" nelle specifiche tecniche del manuale. Altrimenti accedi alla sezione **Clips attributes** su DaVinci Resolve per verificare la risoluzione nativa della clip digitalizzata.

Regolare il colore dello scanner

Nella tab **Film Scanner** di DaVinci Resolve controlla l'esposizione e la temperatura del colore della fonte di luce utilizzata per illuminare la pellicola per la digitalizzazione. Puoi regolare queste impostazioni mediante la rotella master e i controlli RGB della sezione **Light Source**, per mantenere quante più informazioni possibili per ogni fotogramma, e allo stesso tempo impedire che parti dell'immagine subiscano clipping. Anche se CRI è un formato RAW, non vi è latitudine oltre la gamma dati interna di DaVinci, per cui fai attenzione: se i visualizzatori di livello mostrano del clipping durante la scansione, quegli stessi dati potrebbero risultare permanentemente affetti da clipping in versione digitale.

La frequenza con cui vanno regolati il colore e l'esposizione delle scansioni dipende dalla varietà delle scene di un particolare rullo di pellicola. Per esempio, alcuni rulli potrebbero contenere molti ciak della stessa scena, tutti illuminati allo stesso modo. In questo caso le impostazioni sarebbero le stesse.

Altri rulli potrebbero contenere una varietà di scene con illuminazione differente. In questo caso ogni clip scansionata necessita una regolazione individuale per ottimizzare i dati.

Questo è importante perché i parametri della rotella master e i controlli RGB della sezione Light Source non cambiano automaticamente all'interno di un flusso di lavoro di indicizzazione e scansione. Ciò significa che i parametri correnti della fonte di luce Light Source verranno applicati a tutte le clip che digitalizzi, fino a quando non le cambierai manualmente, anche per le clip che hai indicizzato da diversi punti della pellicola. In pratica, lo stile di lavoro misto di indicizzazione e scansione è consigliabile unicamente in situazioni dove ha senso indicizzare svariate clip che condividono gli stessi parametri di Light Source.

Altrimenti, nei progetti in cui è necessario ottenere la massima qualità per il finishing, consigliamo di regolare i parametri della fonte di luce in fase di digitalizzazione di ogni singola clip. Tieni a mente che l'obiettivo del regolare questi parametri è quello di estrarre più dati immagine possibile per la digitalizzazione, non di creare il look finale delle clip, che otterrai successivamente nella fase di correzione colore nella pagina Color.

Per regolare i parametri della fonte di luce, cerca un'immagine tipica di una determinata sezione del rullo o della prima sequenza che vuoi digitalizzare, e impostala monitorando l'immagine con i visualizzatori di livello integrati.

Usa la rotella master **Light Source** per impostare l'intensità della fonte di luce che illumina la pellicola, aumentando o diminuendo simultaneamente il livello dei canali R, G, e B. Solitamente, sui negativi della camera, questa regolazione agisce sul punto di nero dell'immagine della pellicola. Nei negativi, la parte più scura corrisponde alle zone di luce dell'immagine della pellicola. Imposta la rotella master su un livello appena sopra il tipico valore di Dmin di 95, come indicato dall'istogramma. Così facendo, le zone di luce non subiranno il clipping dovuto alla conversione Cineon LOG che DaVinci impiega per debayerizzare l'immagine CRI ai fini della correzione colore. Per le pellicole positive, regola manualmente il livello della fonte di luce in modo che nessuna parte delle zone di luce o di ombra subisca il clipping (di solito 1000 a 10 bit e 4000 a 12 bit).

Abilita **Show Reference Levels** per vedere i livelli di riferimento nella forma d'onda, nell'allineamento RGB o nell'istogramma, e imposta il valore **Low** perché mostri il Dmin di 95.

Ora con i controlli RGB puoi riequilibrare tutti e tre i canali colore regolando la temperatura del colore della fonte di luce utilizzata per illuminare la pellicola, per ottenere il bilanciamento del colore ideale, o neutro, sulla pellicola digitalizzata.

Digitalizzare una o più sezioni della pellicola

Dopo aver regolato la fonte di luce è consigliabile continuare metodicamente a inserire i metadati di riferimento per ogni clip digitalizzata. I campi per i metadati nella sezione **Capture Info** consentono di inserire il prefisso con il nome del file, il nome della pellicola, il numero di rullo, il numero della clip, il nome del programma, etichette, e indicare se una particolare ripresa è buona. Se completi questi campi prima di digitalizzare una clip, tali metadati verranno salvati nella clip.

In fondo alla sezione Capture Info ci sono quattro pulsanti corrispondenti ad altrettanti modi di scansione.

La pellicola si può scansionare nei quattro modi seguenti:

Capture Now

Digitalizza lunghe sezioni della pellicola in una sola volta. La scansione inizia vicino al fotogramma attuale e si interrompe quando clicchi **Stop**.

Se hai abilitato Enable 2 Pass HDR Scan e clicchi su Capture HDR nel corso della scansione, DaVinci Resolve interrompe la scansione, torna al punto di partenza e procede con la scansione ad alta esposizione. Se digitalizzi l'intera pellicola senza cliccare su Capture HDR, lo scanner passa automaticamente alla scansione ad alta intensità al termine di quella standard.

Capture Clip

Questa opzione corrisponde a un sistema più controllato per digitalizzare specifiche sezioni della pellicola. Dopo aver utilizzato i controlli di trasporto e i pulsanti In e Out per delimitare una sezione della pellicola, clicca su questo pulsante per digitalizzare solo quella sezione.

Se Enable 2 Pass HDR Scan è abilitato, la scansione HDR ad alta intensità usa gli stessi punti di attacco e stacco della scansione standard iniziale.

Batch Clips

Con questa opzione puoi indicizzare molte clip prima di digitalizzarle tutte insieme utilizzando i parametri correnti della fonte di luce **Light Source** nella tab **Film Scanner** di DaVinci Resolve. Indicizza ogni clip anticipatamente impostando i punti In e Out per ogni sezione della pellicola che vuoi digitalizzare, e clicca sul pulsante **Log Clip** per salvare quella selezione di fotogrammi come una clip non digitalizzata nell'archivio multimediale. Quando clicchi Batch Clips tutte le clip non digitalizzate verranno digitalizzate una dopo l'altra fino alla fine. Puoi anche selezionare una o più clip non digitalizzate a scelta, e digitalizzare solo quelle. Altrimenti puoi importare un EDL che corrisponde a una particolare pellicola, e utilizzare le risultanti clip indicizzate per la digitalizzazione.

NOTA Cliccando il pulsante Log Clip, lo scanner applica le stesse impostazioni di progetto a tutte le clip del batch, adottando quelle più recenti al momento della scansione. È consigliabile controllare le impostazioni dello scanner prima di avviare la scansione in batch.

Se Enable 2 Pass HDR Scan è abilitato, la scansione HDR ad alta intensità segue gli stessi punti di attacco e stacco del primo batch.

Per tutti i dettagli sui flussi di lavoro di scansione in batch, consulta la sezione "Ingesting From Tape" del manuale di DaVinci Resolve.

Snapshot

Digitalizza un singolo fotogramma con esposizione normale e con le impostazioni correnti dello scanner.

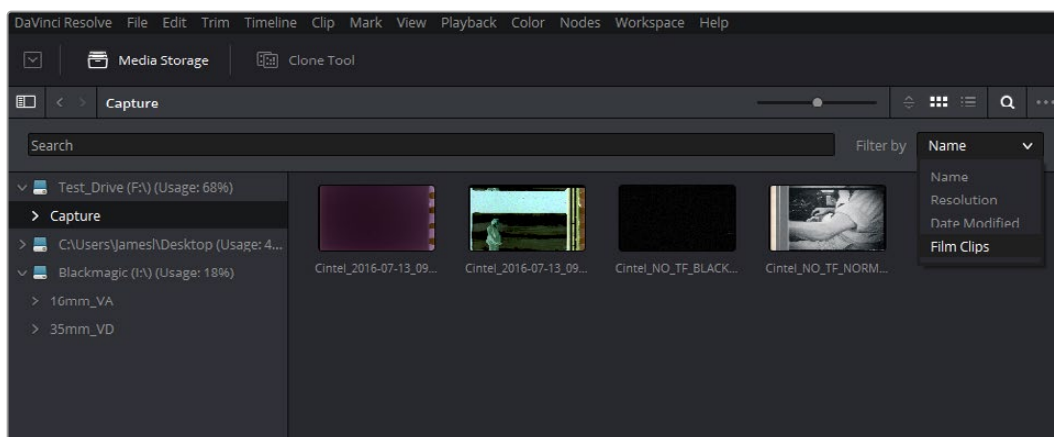
Una volta avviata la digitalizzazione, se DaVinci Resolve rileva che la larghezza di banda di archiviazione è troppo bassa per la velocità selezionata, la velocità di cattura si auto-regola per garantire la riuscita della scansione. Se usi Audio and KeyKode Reader, si auto-regola anche la frequenza di campionamento audio per mantenere la qualità audio prescelta.

Estrarre l'audio

Se la pellicola che stai digitalizzando contiene una colonna sonora ottica, puoi estrarre l'audio in un passaggio a sé stante. Quando si estrae l'audio, DaVinci allinea automaticamente l'audio al video, eliminando il ritardo standard tra il fotogramma dell'immagine e il frame audio (di 26 frame per il 16mm e di 21 frame per il 35mm). Seleziona tutte le clip che hanno una colonna sonora audio, quindi fai clic destro su una delle clip selezionate e scegli **Extract Audio**. Resolve analizza l'area delle colonne sonore ottiche sovrapposte a ogni fotogramma e genera automaticamente una corrispondente traccia audio, sincronizzata con la sequenza dell'immagine digitalizzata.

L'audio di ogni clip verrà automaticamente estratto, integrato nella clip e salvato nella stessa directory in cui sono stati salvati i fotogrammi digitalizzati. Una piccola icona audio apparirà sull'angolo della thumbnail della clip, indicando la presenza di un file audio.

Per facilitare l'estrazione, puoi filtrare le clip nell'archivio multimediale per nome, risoluzione, data di modifica o unicamente per clip. Filtra le clip per trovare e selezionare più facilmente il materiale che ti interessa. Puoi anche ampliare la selezione ed estrarre l'audio da diverse clip contemporaneamente. Fai clic destro sulla selezione e scegli **Extract Audio...** dal menù. Durante l'estrazione un riquadro ne indica il progresso. Clicca **Stop** in qualsiasi momento per interrompere l'estrazione.



Filtra i contenuti nell'archivio multimediale Media Storage per semplificarne la ricerca

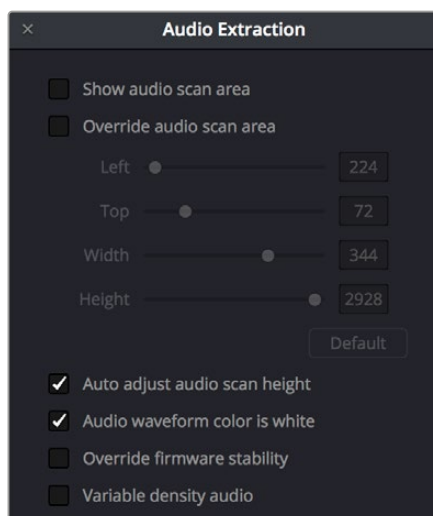
Se la casella Timestamp Prefix è stata disabilitata nella sezione Capture Info, ma vuoi che l'audio estratto venga integrato nelle clip automaticamente, puoi estrarlo dalle clip all'interno dell'archivio multimediale.

Impostazioni di estrazione audio

Una volta selezionato il tipo di pellicola, DaVinci Resolve estrarrà automaticamente l'audio ottico con precisione. Tuttavia le condizioni della traccia ottica tendono a variare a seconda delle condizioni della pellicola caricata, un fattore che rischia di interferire con il processo automatico. In questi casi è possibile bypassare il processo automatico e regolare le impostazioni manualmente.



Per regolare i parametri manualmente, apri la finestra impostazioni Show Cintel Audio Settings in alto a destra del viewer, e clicca su Audio Extraction



Le regolazioni manuali di estrazione audio disponibili nella finestra Audio Extraction

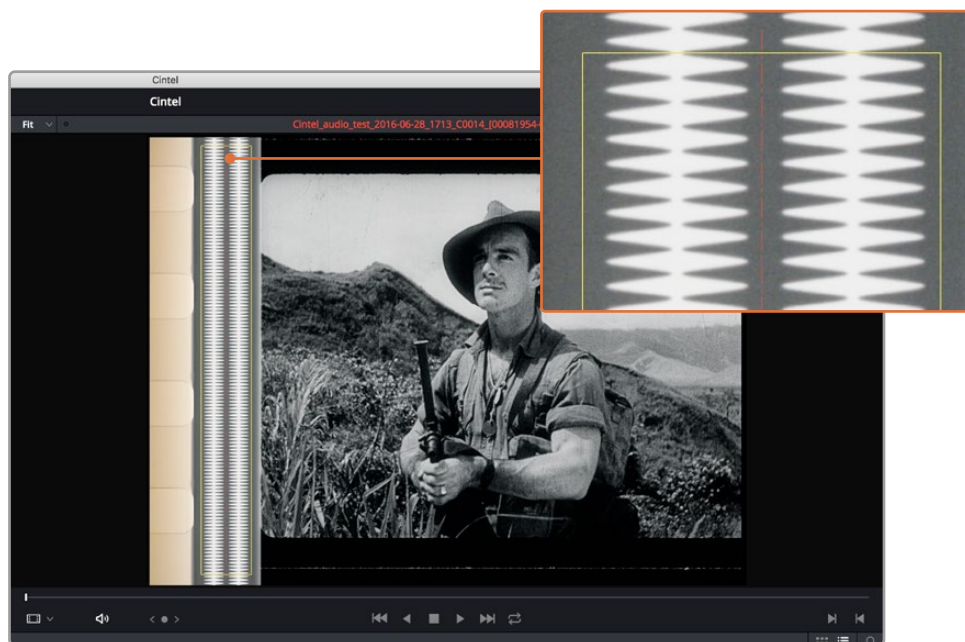
La finestra Audio Extraction consente di regolare manualmente le seguenti impostazioni:

Show audio scan area

Spuntando questa casella abiliti o disabiliti le guide dell'area di scansione dell'audio. Le guide appaiono come un riquadro a lato del fotogramma e mostrano quali informazioni dell'audio ottico verranno usate durante l'estrazione. La posizione delle guide cambia in base al tipo di pellicola selezionata, ma è anche possibile cambiarla manualmente. Le guide fungono da indicazione visiva durante l'estrazione, consentendo di identificare subito eventuali problemi e quindi apportare manualmente le regolazioni necessarie.

La sottile linea rossa centrale nel riquadro rappresenta la separazione tra i canali audio stereo. Se durante l'estrazione dell'audio viene rilevato un suono mono, la linea scompare e le guide si riadattano in base alla larghezza della traccia ottica mono.

SUGGERIMENTO Per esaminare più da vicino le guide dell'area di scansione, zooma sul viewer e spostalo verso l'alto o il basso, a sinistra o a destra. Scegli la percentuale di zoom dalla voce Sizing in alto a sinistra nel viewer, e poi clicca e trascina con il mouse o il track pad.



Quando l'impostazione Show Audio Scan Area è abilitata, le guide dell'area di digitalizzazione audio mostrano esattamente quali informazioni sono incluse nel processo di estrazione

Override audio scan area

Questa impostazione dispone di slider per regolare il posizionamento orizzontale e verticale, la larghezza e l'altezza delle guide dell'area di scansione dell'audio.

Le impostazioni disponibili sono:

Left / Width

Se l'audio si trova sul lato destro del fotogramma, regola lo slider **Left** per spostare il riquadro guida verso destra. Se il corrispondente tipo di pellicola è selezionato questo avviene automaticamente, ma se necessario l'impostazione garantisce maggiore flessibilità di regolazione. Allo stesso modo, l'impostazione **Width** serve per regolare la larghezza dell'area di scansione.

Si tratta di strumenti che consentono regolazioni minuziose dei bordi laterali del riquadro delle guide se sono presenti elementi indesiderati nell'area dell'audio ottico della pellicola. Questi elementi sono dovuti a perforazioni logore o a caratteristiche variabili della pellicola positiva, e possono influire sulla qualità del processo di estrazione dell'audio. Per evitare che succeda, sposta lievemente i bordi laterali per confinare gli elementi indesiderati al di fuori del riquadro guida.

Top

Questa impostazione regola la posizione verticale del riquadro guida.

Height

A volte i fotogrammi delle vecchie pellicole subiscono un leggero restringimento dovuto al passare del tempo. In questi casi, regola il riquadro guida in base alle dimensioni dei fotogrammi con lo slider **Height**.

Auto adjust audio scan height

Questa impostazione è abilitata di default e regola automaticamente l'altezza del riquadro guida per allinearla con la forma d'onda audio in cima a ogni fotogramma. Questa funzione automatica è ideale se l'audio è in condizioni standard, ma se durante l'estrazione il riquadro si muove in modo imprevedibile e la qualità dell'estrazione ne risente, è probabile che le caratteristiche simili nella traccia audio si sovrappongano tra fotogrammi. In questo caso, deseleziona la casella e fai ripartire l'estrazione.

Se deselezioni questa casella assicurati che l'impostazione **Height** inserisca il riquadro guida nella posizione ottimale per il fotogramma. Dopo aver apportato le regolazioni manualmente, ricordati di riabilitare le funzioni automatiche.

Audio waveform color is white

A seconda del tipo di pellicola, la forma d'onda audio potrebbe essere nera o bianca. Se è bianca, assicurati che la casella corrispondente sia spuntata per far sì che le informazioni bianche nella forma d'onda vengano usate durante l'estrazione dell'audio; se è nera e l'area circostante è bianca, deseleziona la casella per far sì che DaVinci utilizzi le informazioni nere nella forma d'onda. Da questa impostazione dipendono anche altre funzioni automatiche, tra cui la linea centrale di separazione dei canali audio stereo e il rilevamento del suono mono.

Override firmware stability

Raramente le condizioni della pellicola provocano spostamenti significativi nel fotogramma dovuti alla stabilizzazione firmware interna. Se il riquadro guida non è allineato correttamente con la traccia ottica, abilita **Override firmware stability** per far sì che il riquadro tracci le perforazioni della pellicola singolarmente e si riposizioni per ottenere risultati migliori.

Variable density audio

Se la pellicola contiene audio a densità variabile, spunta la casella **Variable density audio** per indicare a DaVinci il tipo di audio da estrarre. Questa impostazione è disabilitata di default.

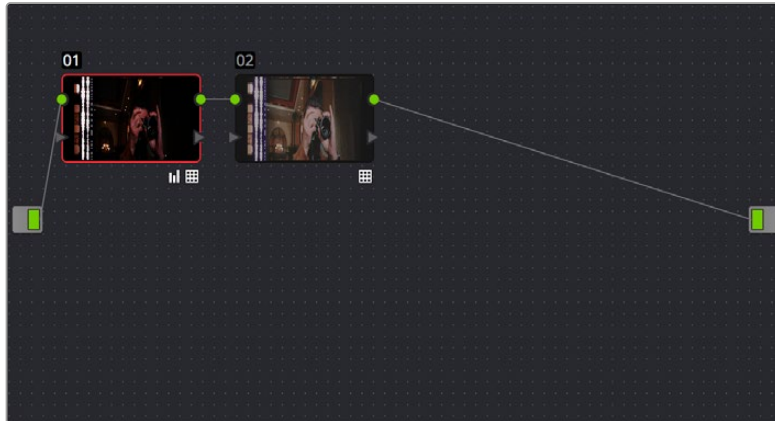
L'audio a densità variabile appare come una sequenza fitta di linee sfumate, simile a un codice a barre fatto di linee ravvicinate. Le colonne sonore ad area variabile appaiono come una forma d'onda audio.

Spazio colore e ridimensionamento

Le LUT 1D integrate Cintel negative to linear e Cintel print to linear agevolano la conversione del materiale scansionato in uno spazio colore che consente altre operazioni. Per applicare queste LUT bisogna aprire la pagina **Color** e convertire le scansioni originali in uno spazio colore lineare. Invece per convertire l'immagine in Rec. 709 o in Cineon per ulteriori ritocchi è necessario applicare una seconda LUT su un altro nodo. Lo spazio colore di default per la pellicola finale è 2.2 gamma standard log curve; per tutte le altre è 2.046 film density log gamma.

Per la pellicola negativa è preferibile fare una "inversione di colore" dopo aver applicato la seconda LUT. Inoltre di solito è necessario fare del grading sui dati lineari per rimuovere gli scompensi del nero dovuti al Dmin e ottenere la conversione esatta nello spazio colore di destinazione. Nel sottomenù delle LUT 3D del menù contestuale di ogni nodo ci sono numerose LUT VFX IO per convertire l'immagine dallo spazio colore lineare allo spazio colore desiderato.

Per tutti i dettagli, consulta la sezione “Applying a LUT Within a Node” nel capitolo “Using LUTs” del manuale di DaVinci Resolve.

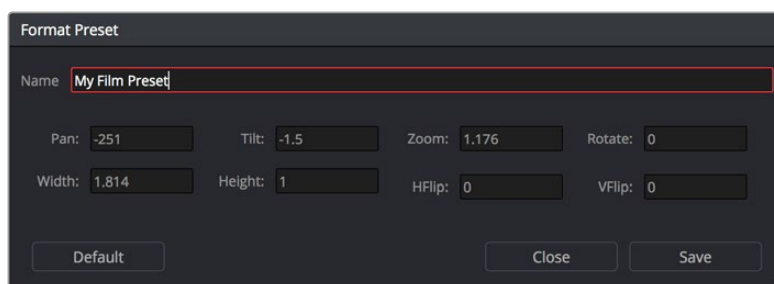


Usa 3 nodi per convertire la pellicola digitalizzata mediante le LUT: nodo 1 per convertire negative o print in linear; nodo 2 per convertire linear in Rec. 709; nodo 3 per invertire il colore (se necessario)

Applicando una LUT a un nodo, i dati immagine sotto lo 0 e sopra l'1 subiscono il clipping. Per evitare che succeda, usa i controlli Lift/Gamma/Gain nel nodo interessato per regolare i livelli dell'immagine prima che la LUT lo trasformi.

Il formato della pellicola scansionata e il modo in cui il materiale è stato girato determinano l'inquadratura. Per ottimizzare l'inquadratura puoi regolare la clip scansionata in dimensione, zoom, estensione, inclinazione e altri parametri. Nella pagina Color, apri il menù **Sizing** e usa la modalità **Input sizing** per ottenere l'inquadratura desiderata. Per salvare i parametri di ridimensionamento come predefinito, seleziona **Save as new preset** e inserisci un nome.

Dopo aver creato un predefinito per un determinato tipo di contenuto multimediale, puoi riutilizzarlo per diverse scansioni alla volta, sia nella pagina Color sia nel Media Pool, selezionando **Change input sizing preset** nel menù contestuale delle clip selezionate. Le funzioni di ridimensionamento sono descritte nella sezione “Sizing and Image Stabilization” del manuale DaVinci Resolve.

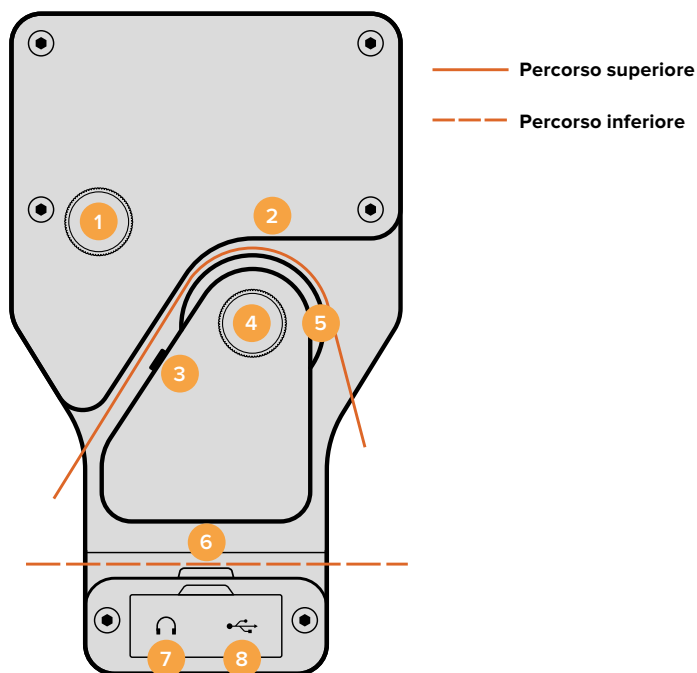


Le impostazioni per creare un predefinito di ridimensionamento nel menù Sizing della pagina Color

L'accessorio Audio and KeyKode Reader

Audio and KeyKode Reader è un accessorio opzionale che amplia le prestazioni dello scanner Cintel catturando le colonne sonore ottiche e magnetiche della pellicola 35mm e 16mm. Consente di catturare le colonne sonore più lentamente o più velocemente del tempo reale. Inoltre scansiona i dati del KeyKode sulla posizione del fotogramma nella bobina e sul tipo di pellicola utilizzata.

Il lettore è costituito da:



1. Manopola di tracking dell'audio ottico 2. Testina audio magnetico 3. Scanner dell'audio ottico
4. Manopola di pulizia del rullo capstan 5. Rullo capstan
6. Scanner del KeyKode 7. Ingresso cuffie 8. Porta USB per firmware

Inserendo la pellicola nel percorso superiore del lettore è possibile estrarne le colonne sonore ottiche e magnetiche.

Inserendo la pellicola nel percorso inferiore del lettore è possibile catturarne i dati del KeyKode. In alcune pellicole negative, i dati del KeyKode si trovano vicino alle perforazioni e di solito indicano la posizione dei fotogrammi nella bobina, la bobina usata e altri dettagli tra cui il tipo di pellicola. Le informazioni digitalizzate vengono salvate come metadati all'interno di ciascun fotogramma Cintel Raw.

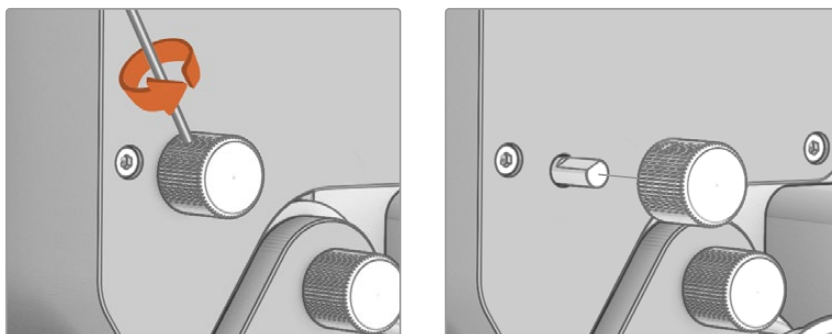
SUGGERIMENTO Lo scanner Cintel è in grado di catturare le informazioni della colonna sonora ottica anche senza Audio and KeyKode Reader. Basta usare la funzione Extract Audio nella finestra Cintel di DaVinci Resolve dopo aver digitalizzato la pellicola. Il procedimento di estrazione dell'audio ottico è descritto nella sezione "Estrarre l'audio".

Installare Audio and KeyCode Reader

Il lettore è alimentato dall'interfaccia sinistra dello scanner, ovvero il connettore XLR a 6 pin accessorio sotto la bobina di avvolgimento.

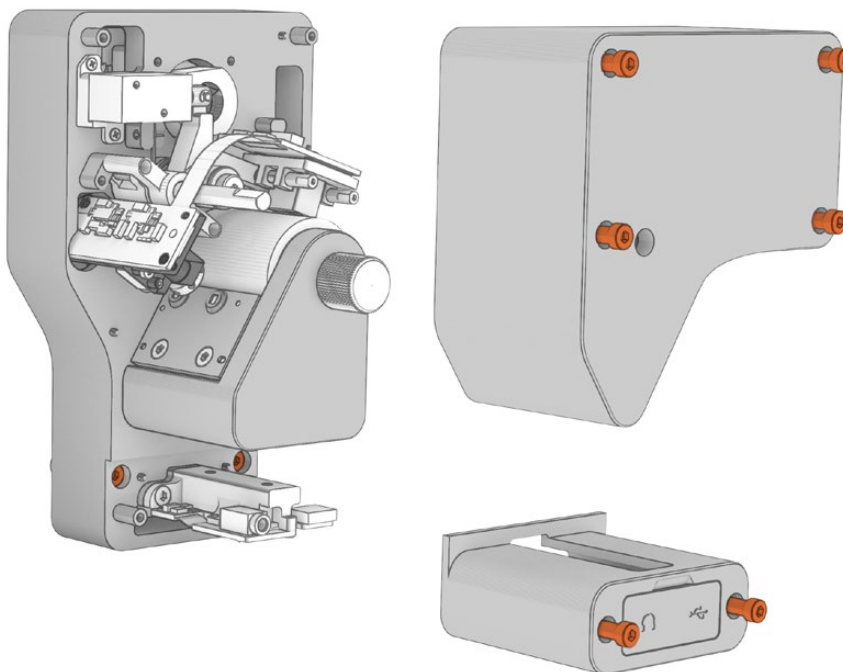
Per installare Audio and KeyCode Reader:

- 1 Scollega Cintel Scanner dall'alimentazione.
- 2 Sulla manopola di tracking dell'audio ottico c'è una piccola vite a incasso. Usa una chiave a brugola da 1,5mm per allentare la vite ed estrarre la manopola dal perno. Così facendo potrai rimuovere la copertura superiore del lettore.



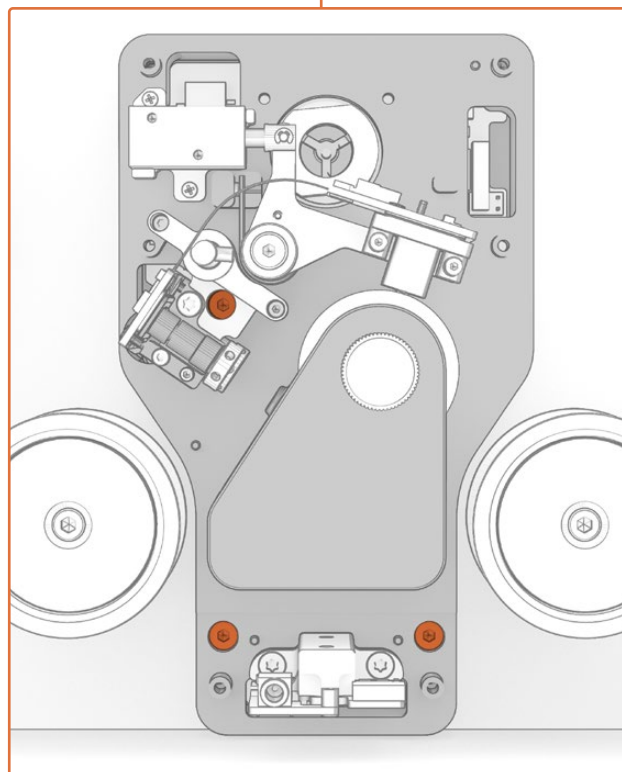
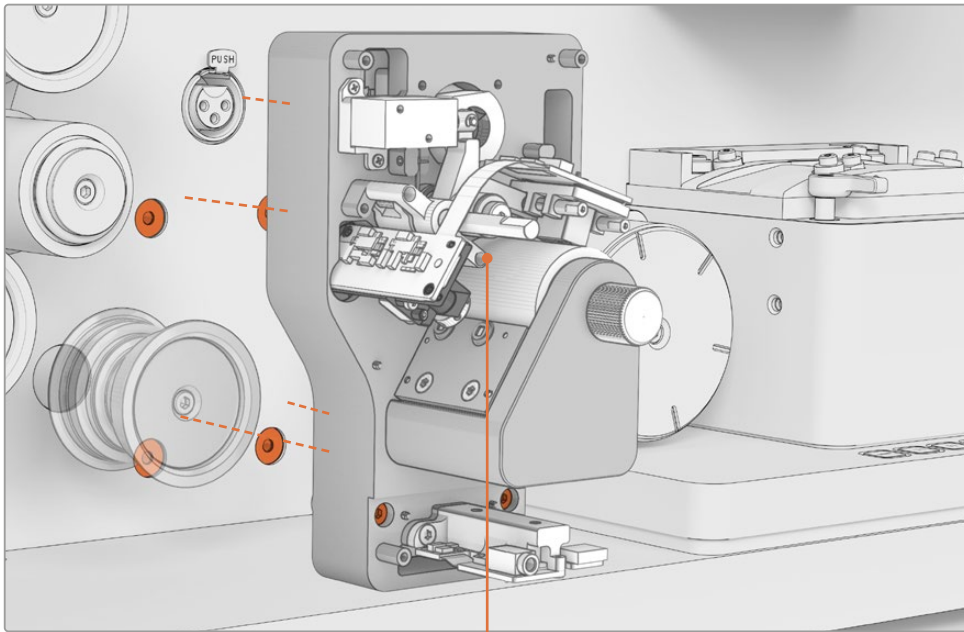
Usa una chiave a brugola da 1,5 mm per allentare la vite ed estrarre la manopola dal perno

- 3 Rimuovi la copertura superiore e inferiore del lettore svitando le 6 viti M3 con una chiave a brugola da 2,5 mm. Si tratta di viti imperdibili e pertanto rimarranno nel proprio foro. Al di sotto della copertura ci sono le viti imperdibili per montare il lettore sullo scanner Cintel.



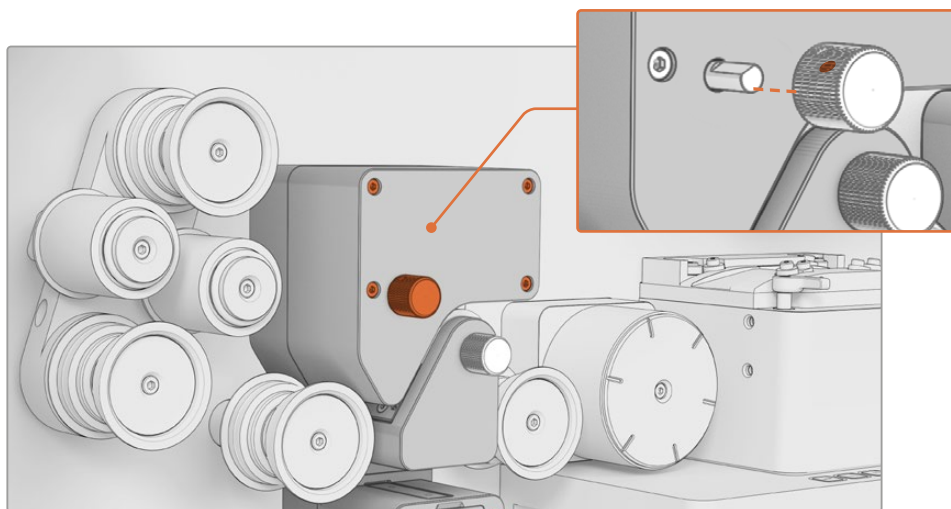
Rimuovi la copertura superiore e inferiore del lettore svitando le 6 viti M3. Essendo viti imperdibili, basta allentarle di poco come nell'immagine

- 4 Rimuovi le 4 viti di serraggio dallo scanner Cintel con una chiave a brugola da 2 mm (le due viti in alto a sinistra e le due viti sottostanti il connettore XLR dell'interfaccia accessoria a sinistra).
- 5 Monta il lettore sullo scanner inserendo il connettore maschio XLR nel connettore femmina XLR dell'interfaccia accessoria a sinistra.
- 6 Avvita Audio and KeyCode Reader sullo scanner con le 3 viti imperdibili M3, assicurandoti di allinearle correttamente al deck.



Monta il lettore inserendolo nel connettore XLR dell'interfaccia accessoria a sinistra e avvitalo a Cintel Scanner con 3 viti imperdibili M3

- 7 Chiudi Audio and KeyKode Reader con la copertura e serra le viti.
Reinserisci la manopola di tracking dell'audio ottico e serra leggermente la vite nella parte piatta del perno.



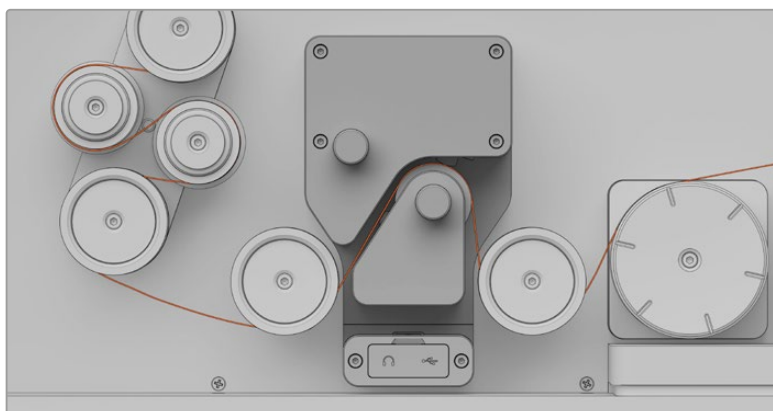
Inserisci la copertura di Audio and KeyKode Reader e serra le 6 viti M3; reinserisci la manopola di tracking dell'audio ottico e serra la vite nella parte piatta del perno

Lettura audio

Con Audio and KeyKode Reader, lo scanner è in grado di registrare le informazioni dell'audio ottico dalle pellicole 35mm e 16mm, e le informazioni dell'audio magnetico dalle pellicole 16mm.

Inserire la pellicola

Per iniziare a registrare le informazioni audio in tempo reale innanzitutto è necessario inserire la pellicola nel percorso del lettore. L'immagine qui sotto illustra il posizionamento corretto della pellicola.



Inserisci la pellicola nel percorso superiore di Audio and KeyKode Reader

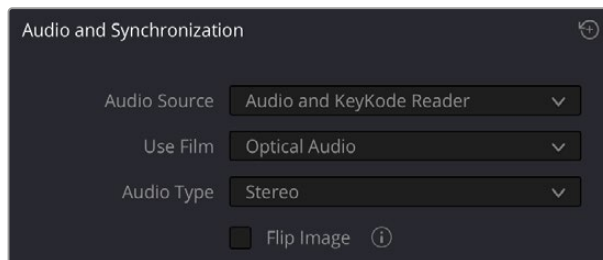
NOTA Durante la scansione dell'audio ottico presta attenzione alla posizione dei LED. Il 35mm è più vicino allo chassis dello scanner Cintel, mentre il 16mm è più distante.

SUGGERIMENTO Se la pellicola è inserita nel percorso audio del lettore, DaVinci Resolve registra automaticamente l'audio e lo aggiunge nelle clip. Se la pellicola passa dal percorso inferiore, l'audio non viene registrato.

Configurare il lettore per la scansione dell'audio

Dopo aver inserito la pellicola, su DaVinci Resolve vai nella finestra Cintel e scegli l'opzione necessaria alle voci **Use Film** e **Audio Type**. L'opzione scelta alla voce **Audio Source** determina le opzioni disponibili nelle voci Use Film e Audio Type.

Queste impostazioni permettono di configurare il lettore, per esempio per scansionare le informazioni del KeyCode o scegliere tra audio ottico e magnetico.



Apri la tab Audio and KeyCode Reader nella finestra Cintel di DaVinci Resolve e imposta la voce Use Film su KeyCode o Audio Scanning

SUGGERIMENTO Le opzioni disponibili differiscono a seconda del tipo di pellicola inserita. Per esempio, l'opzione audio magnetico è disponibile selezionando l'opzione 16mm alla voce Film Type nella finestra Cintel di DaVinci Resolve.

Audio Source

Seleziona la sorgente audio che accompagnerà le immagini scansionate.

None

Nessuna traccia audio. Le voci Use Film e Audio Type non hanno opzioni.

Audio and KeyCode Reader

Audio and KeyCode Reader leggerà l'audio ottico o magnetico della pellicola.

External Audio

Accetta audio analogico o AES/EBU digitale attraverso le porte XLR per audio esterno.

Use Film

Usa questa voce per determinare le funzioni di lettura del KeyCode o dell'audio di Audio and KeyCode Reader. Per maggiori informazioni consulta la sezione "Lettura del KeyCode".

Le opzioni disponibili sono:

Optical Audio

Scansiona l'audio di una traccia di audio ottico.

Esamina la pellicola per scoprire se la traccia è audio ottico. Se mentre digitalizzi una pellicola 35mm o 16mm vedi una forma d'onda continua o una lunga e fitta serie di strisce su un lato, l'audio è ottico.

Optical Audio Narrow Track

Se digitalizzi audio ottico, in alcuni casi il restringimento e altre variabili della pellicola risulteranno in una traccia di audio ottico più piccola dell'area digitalizzata da Audio and KeyCode Reader. Di conseguenza il lettore potrebbe digitalizzare le perforazioni o i dati dell'immagine su uno dei lati della traccia, causando interferenze nell'audio. In questi casi, usa la manopola di tracking del lettore per cercare di ottimizzare l'audio. Se il problema persiste, seleziona **Optical Audio Narrow Track** alla voce **Use Film**. Questa opzione fa sì che l'area digitalizzata dal lettore si riduca del 20%, tralasciando le aree indesiderate intorno alla traccia ottica e migliorando la qualità dell'audio digitalizzato.

Per tutti i dettagli sulla funzione di tracking del lettore consulta la sezione "Tracking" più avanti.

Magnetic Audio

Per digitalizzare la traccia audio magnetica a strisce di una pellicola 16mm, imposta **Use Film** su **Magnetic Audio**.

L'audio magnetico a strisce sulle pellicole 16mm è riconoscibile dalla striscia nera accanto ai fotogrammi. La striscia nera è di color rame sul lato dell'emulsione della pellicola.

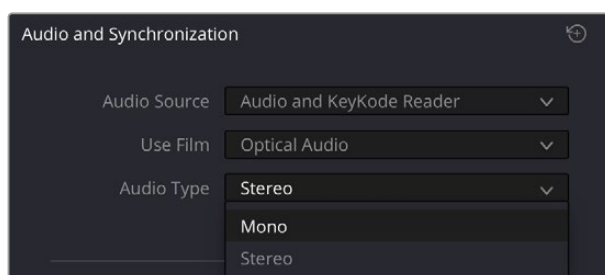
NOTA Per la digitalizzazione dell'audio magnetico a strisce consigliamo di impostare lo scanner su una velocità di 24 fotogrammi al secondo per un'equalizzazione ottimale. Digitalizzando ad altre velocità potrebbe essere necessario regolare i picchi in post produzione.

Audio Type

Dopo aver selezionato l'opzione adatta alla voce Use Film puoi scegliere il tipo di audio alla voce **Audio Type**.

Stereo / Mono

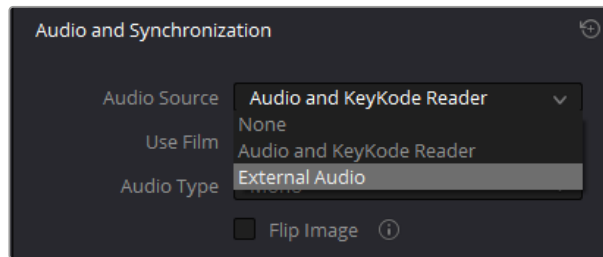
Esamina la pellicola per capire se l'audio è stereo o mono. Se vedi due forme d'onda una accanto all'altra, l'audio è stereo; se ne vedi solo una, o fitte strisce di audio a varia densità, l'audio è mono. L'audio magnetico è sempre mono.



Scegli Stereo o Mono a seconda del tipo di audio della pellicola

External Audio

Clicca sul menù a discesa **Audio Source** e seleziona l'opzione dell'audio esterno **External Audio**.



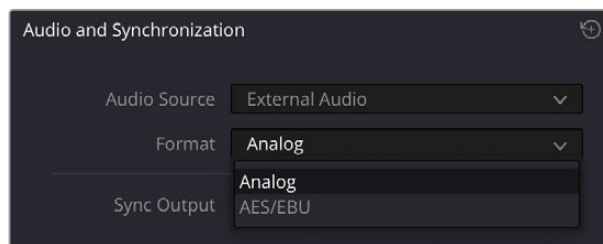
Abilitando l'audio esterno, gli ingressi XLR laterali di Cintel Scanner sono in grado di accettare audio analogico o audio digitale AES/EBU. Seleziona quello desiderato dal menù a discesa della voce **Format**:

Analog

Per l'audio analogico bilanciato.

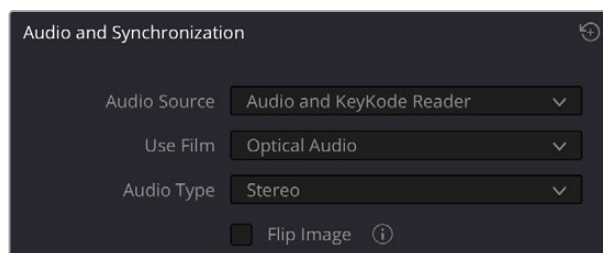
AES/EBU

Per l'audio AES/EBU, anche noto come AES3.



Flip Image

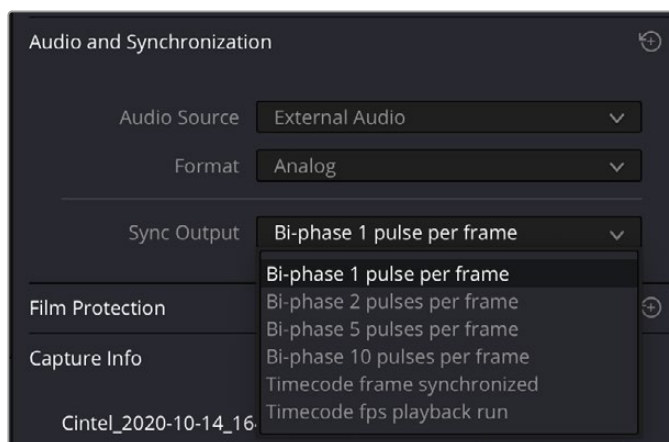
Spunta la casella **Flip Image** se l'immagine è invertita dopo aver digitalizzato l'audio di una pellicola negativa.



Spunta la casella Flip Image per rispecchiare il fotogramma correttamente

Sync Output

Usa la voce **Sync Output** per scegliere lo standard di sincronizzazione se lo scanner è connesso a dispositivi esterni che richiedono sincronizzazione mediante la porta XLR laterale.



La voce Sync Output offre opzioni per Bi-phase e Timecode

Le opzioni **Bi-phase** passano in uscita due segnali in quadratura single-ended sulla coppia differenziale XLR 3 di audio standard, per cui direzione e frequenza saranno percepibili alla frequenza da te scelta. L'opzione **Timecode frame synchronized** passa in uscita un singolo valore di timecode per ciascun fotogramma trasportato. L'opzione **Timecode fps playback run** passa in uscita il timecode a una frequenza fissa determinata dal frame rate della pellicola del progetto. La tensione dell'uscita alterna automaticamente 4,5V per le opzioni Bi-phase e 1,5V per le opzioni Timecode.

NOTA Il timecode in uscita è consentito per 24, 25 e 30 fps “free running” o “frame locked”. Il timecode in uscita non è disponibile per gli altri frame rate.

Velocità di cattura

Quando l'Audio and KeyCode Reader è installato e configurato per la cattura audio, la velocità massima di scansione dello scanner Cintel è pari al 125% del frame rate impostato per la pellicola. Per esempio digitalizzando una pellicola che si intende riprodurre a 24 fotogrammi al secondo, la velocità massima di scansione sarà di 30 fotogrammi al secondo, garantendo una frequenza di campionamento di 48kHz.

Tracking

Poiché la posizione della traccia di audio ottico tende a variare da pellicola a pellicola, è importante che il lettore scansioni l'area di audio esatta della pellicola. La funzione di tracking del lettore permette di ritoccare con precisione la posizione della testina di scansione dell'audio ottico per ottenere la migliore qualità possibile.

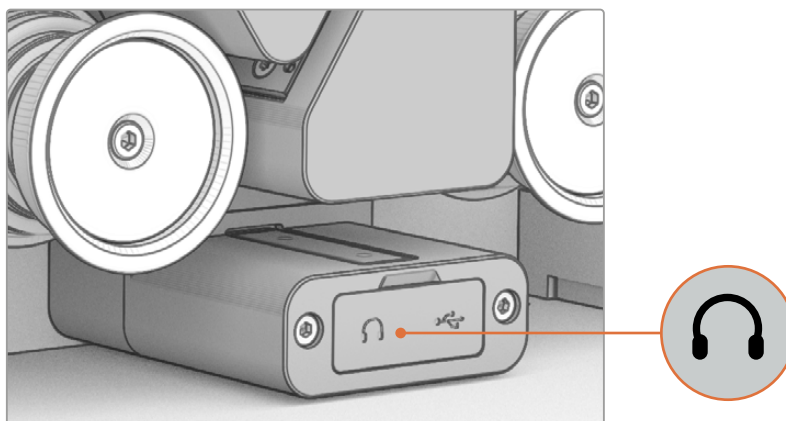
Per utilizzare la funzione tracking:

- 1 Collega le cuffie o un analizzatore di audio al jack 3,5mm del lettore, protetto da uno sportellino antipolvere in gomma.
- 2 Usa i controlli di trasporto dello scanner per spostarti su un'area della pellicola in cui è presente l'audio e poi riproduci la pellicola.

- 3** Mentre ascolti o analizzi l'audio, ruota la manopola di tracking in senso orario o antiorario. La manopola di tracking si trova nella parte superiore del lettore. Continua a ruotare la manopola per avvicinare o allontanare la testina di scansione dal bordo della pellicola fino a raggiungere la posizione ideale. Durante la regolazione cambieranno anche il loudness e la chiarezza dell'audio. Gli analizzatori di audio funzionano in modo analogo ma sono più precisi.

Per le tracce stereo, ruota la manopola per trovare la posizione ideale in cui entrambi i canali sono equamente forti e chiari senza distorsioni.

Per il tracking delle tracce mono consigliamo di impostare la voce Audio Type sull'opzione Stereo. Così facendo sarà possibile usare i canali di destra e sinistra per centrare la traccia e quindi scansionare la traccia mono nella migliore qualità possibile. Ricorda di reimpostare la voce Audio Type sull'opzione Mono dopo aver completato il tracking.

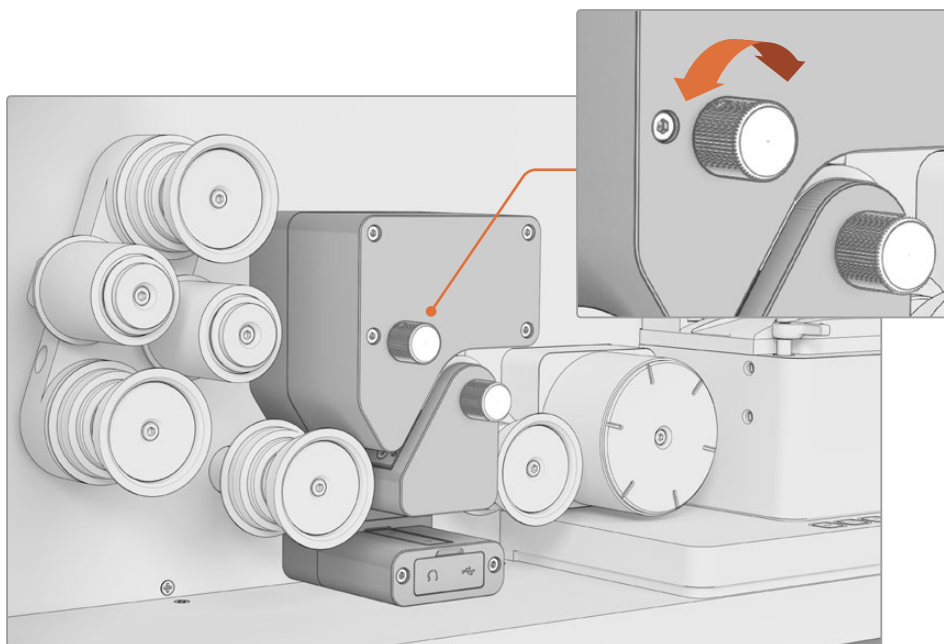


Il jack cuffie di Audio and KeyCode Reader è protetto da uno sportellino antipolvere in gomma

Anteprima audio tramite l'uscita HDMI e il jack cuffie

La colonna sonora delle pellicole è stampata su alcuni fotogrammi che precedono l'immagine con cui è sincronizzata. Per questo motivo lo scanner Cintel ritarda automaticamente l'audio per sincronizzarlo all'immagine attraverso l'uscita HDMI e nella clip digitalizzata.

Le uscite jack cuffie trasmettono audio non sincronizzato e in tempo reale direttamente dalla colonna sonora, per cui mentre fai il tracking potrai ascoltare immediatamente la differenza senza ritardo.



Ruota la manopola di tracking per regolare la posizione della testina audio e migliorare la qualità della scansione dell'audio ottico

In fase di cattura dell'audio ottico, il lettore attenua la luce LED se il rullo di scorrimento non gira. Il lettore adotta lo stato dello scanner, per cui se lo scanner va in standby, il lettore fa lo stesso.

Tracking con audio magnetico

La testina per audio magnetico di Audio and KeyCode Reader è già configurata e non dovrebbe richiedere ulteriori regolazioni. Con l'audio magnetico, poche aree sovrapposte di solito non causano distorsione perché non contengono informazioni di tipo magnetico. Inoltre si attesta una variazione minima nella collocazione delle tracce magnetiche durante la stampa della pellicola, e la testina magnetica del lettore è leggermente più grande per compensare eventuali disallineamenti.

Tracking avanzato

Il lettore consente anche le seguenti regolazioni avanzate:

- azimut e tracking dell'audio magnetico
- azimut dell'audio ottico
- messa a fuoco dell'audio ottico

Gran parte dei lavori non richiede tali regolazioni. Visita la pagina Supporto di Blackmagic Design www.blackmagicdesign.com/it/support per maggiori informazioni su queste funzioni avanzate.

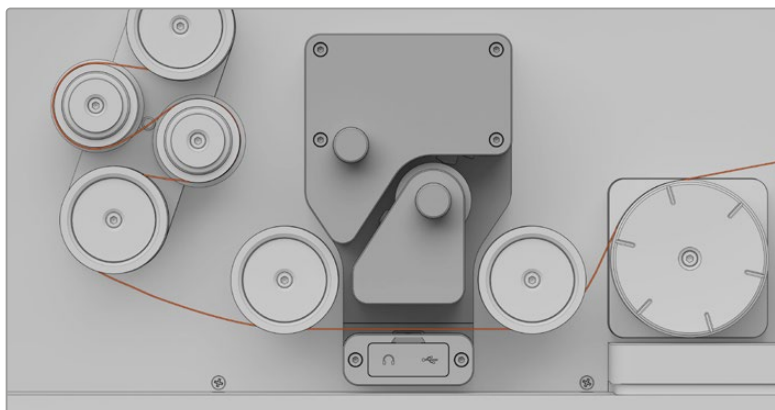
Avviare la scansione

Dopo aver impostato il tipo di audio e regolato il tracking, puoi avviare la scansione come indicato nella sezione "Digitalizzare una o più sezioni della pellicola".

DaVinci Resolve non inizia a scrivere i file se prima non ha ricevuto informazioni audio e video sincronizzate dallo scanner. Poiché le informazioni audio sono stampate sui fotogrammi che precedono quello corrispondente, ci sarà una pausa di circa un secondo tra il momento in cui lo scanner raggiunge la velocità necessaria e la comparsa della scansione sullo schermo.

Letture del KeyKode

Durante la scansione dei dati del KeyKode, il posizionamento della pellicola non cambia. La pellicola passa attraverso Audio and KeyKode Reader grazie ai rulli e al corridoio di scorrimento. L'immagine qui sotto illustra il posizionamento corretto della pellicola.

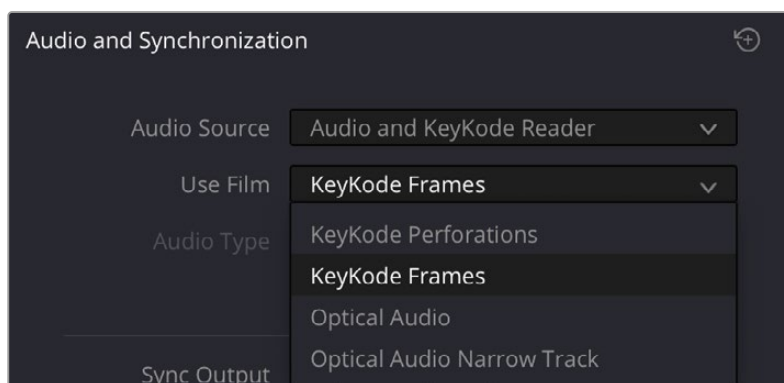


Inserisci la pellicola nel percorso inferiore di Audio and KeyKode Reader per scansionare i dati del KeyKode

NOTA Per catturare le informazioni del KeyKode, assicurati che la sezione del KeyKode della pellicola passi sul LED di scansione.

Configurare il lettore per la scansione del KeyKode

Dopo aver inserito la pellicola e averla messa in tensione, è necessario abilitare lo scanner Cintel alla lettura del KeyKode. Su DaVinci Resolve vai nella finestra Cintel e alla voce **Use Film** seleziona **KeyKode Perforations** o **KeyKode Frames**. Quando esporterai un file DPX, le informazioni del KeyKode verranno rappresentate in fotogrammi o perforazioni rispettivamente.



Seleziona KeyKode Perforations o KeyKode Frames alla voce Use Film per scansionare i dati del KeyKode delle pellicole negative

Use Film

Le opzioni di questa voce determinano le funzioni di lettura del KeyKode o dell'audio del lettore. Per tutti i dettagli sulla lettura dell'audio consulta la sezione "Configurare il lettore per la scansione audio".

Le opzioni di lettura del KeyCode sono:

KeyCode Perforations

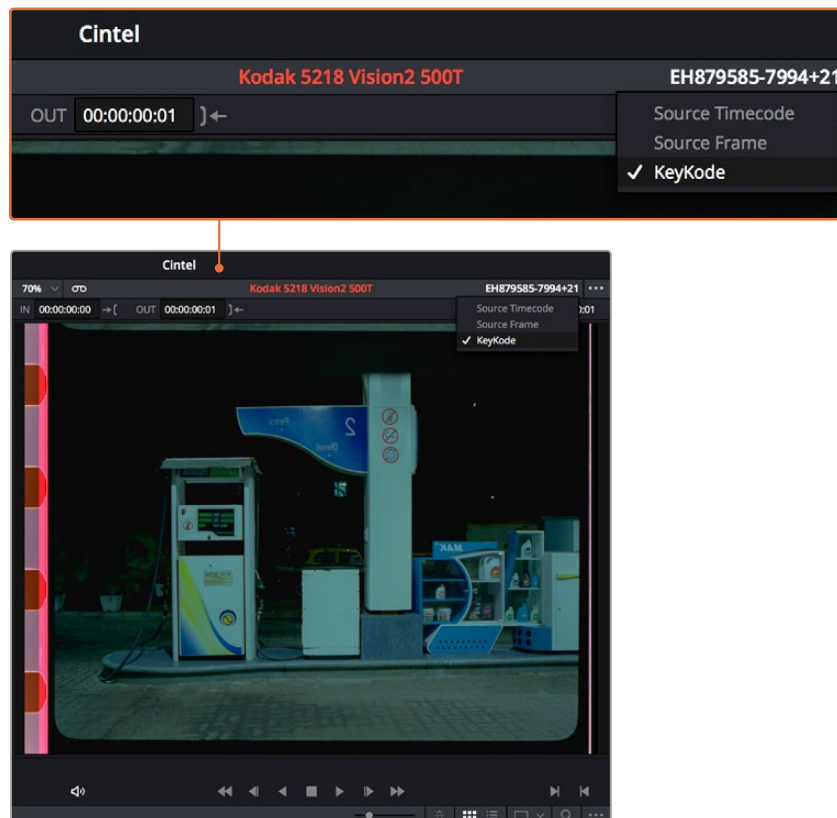
Registra il KeyCode in base al numero di perforazioni.

KeyCode Frames

Registra il KeyCode in base al numero di fotogrammi indipendentemente dal tipo di pellicola.

Il lettore scansionerà le informazioni del KeyCode presenti sulla pellicola e le salverà come metadati in ciascuna clip. I metadati del KeyCode compaiono in alto nel viewer nella finestra Cintel di DaVinci Resolve.

Per visualizzarli, clicca sul menù opzioni in alto a destra nel viewer e seleziona l'opzione **KeyCode**.



Clicca sul menù opzioni in alto a destra nel viewer e seleziona l'opzione KeyCode per visualizzare i dati di KeyCode nel viewer

Spesso le informazioni del KeyCode vengono catturate e incluse nei file digital intermediate DPX, come spiegato nella prossima sezione. Questi metadati, come tutti gli altri, si possono utilizzare anche nelle pagine Edit e Color di DaVinci Resolve.

Transcodificare in DPX integrando i metadati del KeyCode

DaVinci Resolve si può impostare di modo che transcodifichi le scansioni nel formato di file DPX, mantenendo i metadati del KeyCode.

Per transcodificare le scansioni in DPX:

- 1 Nella barra del menù in alto sullo schermo clicca su **File > Media Management**.
- 2 Nella finestra che si apre clicca sull'icona **Clips** per transcodificare tutte le clip singolarmente e seleziona **Transcode**.

- 3 Scegli la destinazione selezionando la cartella desiderata e conferma con **OK**.
- 4 Per transcodificare tutto il materiale nella timeline spunta l'opzione **Transcode All Media**.
- 5 Nelle impostazioni video imposta il formato su **DPX** e scegli il codec desiderato.
- 6 La risoluzione combaccerà automaticamente con quella della timeline, ma puoi cambiarle se preferisci. Per far combaciare la risoluzione con quella originaria delle clip, spunta la casella **Render at Source Resolution**.
- 7 Nelle impostazioni audio scegli il numero di canali da includere nei file DPX o seleziona **Same as Source** per far combaciare l'audio con quello originario delle clip. Seleziona anche la profondità di bit.

Le icone DaVinci in basso nella finestra indicano le dimensioni attuali del materiale multimediale e quelle ottenute dopo la transcodifica in file DPX.

- 8 Clicca su **Start**.

Tutte le clip nella timeline saranno transcodificate in file DPX con KeyKode integrato. Per maggiori informazioni sulla transcodifica dei file Cintel Raw in altri formati, consulta la sezione "Media Management" del manuale di DaVinci Resolve.

Per renderizzare i file Cintel Raw in file DPX con KeyKode integrato, apri la pagina Deliver di DaVinci Resolve ed esporta i file come DPX. Assicurati di selezionare **Individual Source Clips** nelle impostazioni di rendering per esportare i file singolarmente.

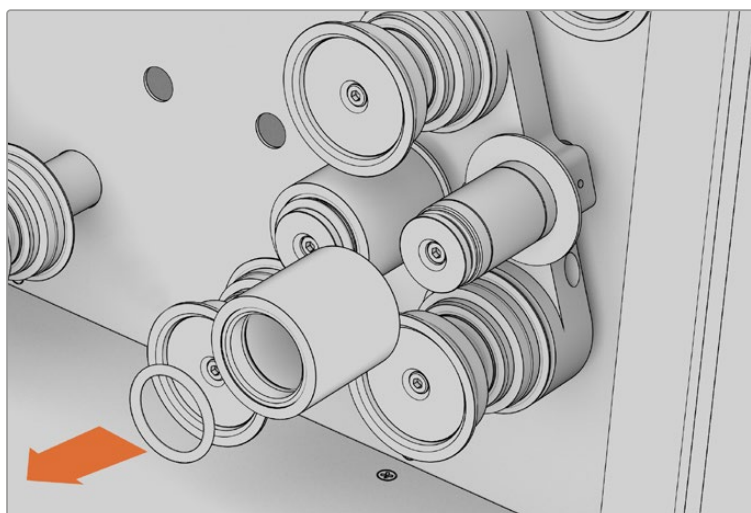
Manutenzione

Per ottenere scansioni di ottima qualità è importante pulire e spolverare lo scanner. Consigliamo di pulire regolarmente i rulli di pulizia e di usare una bomboletta ad aria compressa per il resto delle superfici di contatto dello scanner, inclusi i rulli in gomma, i meccanismi di trascinamento e il corridoio di scorrimento della pellicola.

Pulire i rulli di pulizia

È importante pulire i rulli di pulizia, o PTR, dopo ogni scansione. Rimuovi l'anello o-ring all'estremità di ogni perno PTR ed estrai i rulli. Lava i rulli con acqua tiepida e detergente per stoviglie e lasciali asciugare. Sconsigliamo di asciugarli con un asciugamano o con getti di aria calda per evitare il deposito di altre particelle o di deformare il rullo con il calore. Quando sono asciutti, reinsertisci i rulli e l'anello o-ring.

Se non riesci a estrarre o a installare i PTR, applica un leggero strato di grasso di silicone nella parte interna dell'o-ring come lubrificante per facilitarne la rimozione.



Rimuovi l'anello O-ring all'estremità di ogni perno PTR ed estrai i rulli per pulirli

Se noti che i rulli adesivi hanno perso viscosità anche dopo essere stati lavati, o col tempo e l'usura è diventato difficile inserirli o rimuoverli, puoi acquistare nuovi rulli sul nostro sito www.blackmagicdesign.com/it

Pulire i rulli capstan

Consigliamo di pulire i rulli capstan prima di inserire una nuova pellicola e di lasciarli asciugare bene.

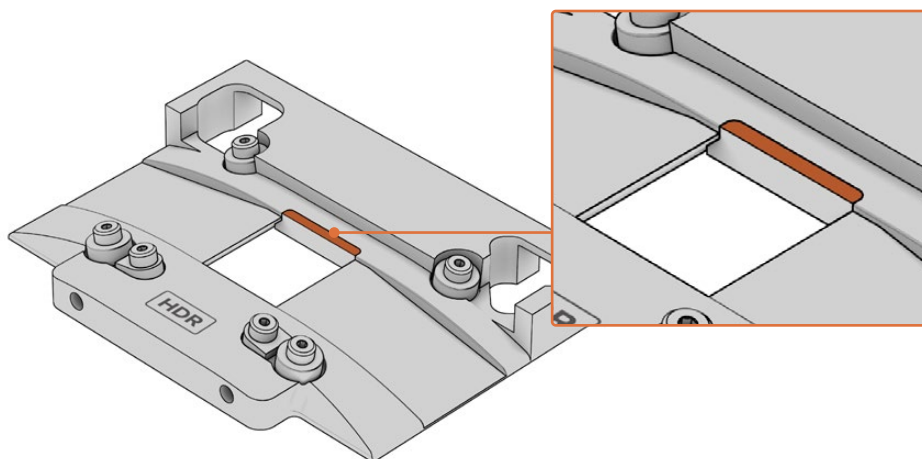
NOTA Durante la pulizia, presta particolare attenzione per evitare che i liquidi danneggino i componenti elettronici in prossimità dei rulli capstan. Inumidisci un panno senza lanugine con poca acqua. Non usare solventi o spray.

Rimuovere la polvere

È importante spolverare lo scanner quotidianamente. Utilizza una bomboletta ad aria compressa per pulire il corridoio di scorrimento della pellicola, i meccanismi di trascinamento e qualsiasi altra superficie con cui la pellicola entra a contatto. Per farlo è preferibile rimuovere il corridoio di scorrimento.

Mentre spolveri, presta particolare attenzione al piccolo incavo in plastica nel corridoio di scorrimento. L'accumulo di polvere in quest'area potrebbe ripercuotersi sulla performance della stabilizzazione, per cui di tanto in tanto è bene spolverarlo con un panno umido.

Consigliamo di utilizzare una bomboletta ad aria compressa o un panno privo di lanugine per pulire la superficie dei cuscinetti e gli otturatori. Di tanto in tanto va pulita anche la parte interna dei cuscinetti per evitare l'accumulo di polvere.



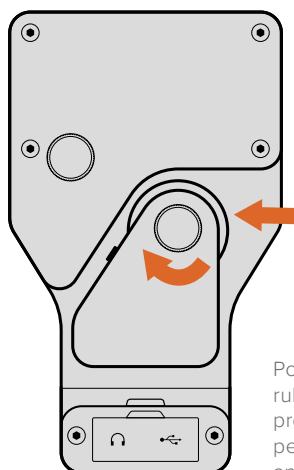
Presta particolare attenzione all'incavo nel corridoio di scorrimento

Di tanto in tanto pulisci anche la lente sulla fonte di luce RGB dello scanner con un panno pulito e una piccola quantità di alcol isopropilico.

Le bombolette ad aria compressa e l'alcol isopropilico sono reperibili nei negozi di elettronica.

Pulire il rullo di Audio and KeyCode Reader

Audio and KeyCode Reader è munito di un rullo in gomma nel percorso superiore della pellicola. Anche questo rullo ogni tanto va pulito con un panno umido. Per eliminare gli accumuli di polvere, rimuovi la pellicola nel percorso superiore, poggia il panno umido sul rullo e nel frattempo ruota la manopola preposta.

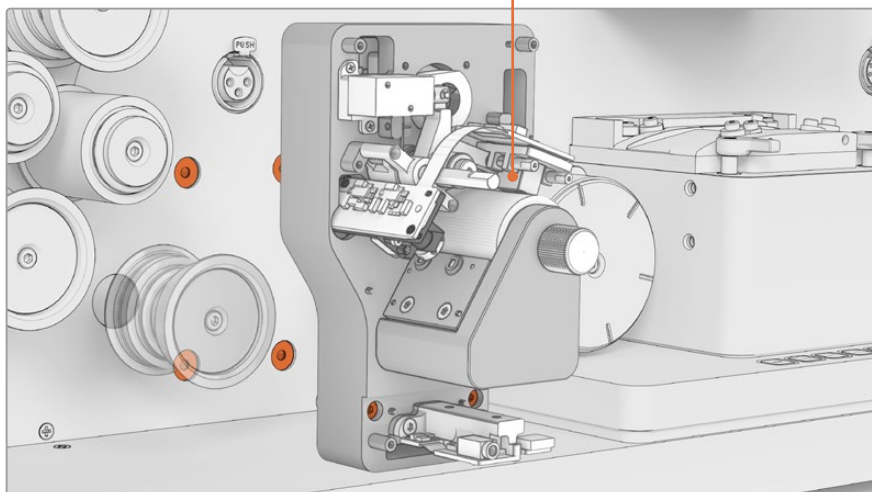
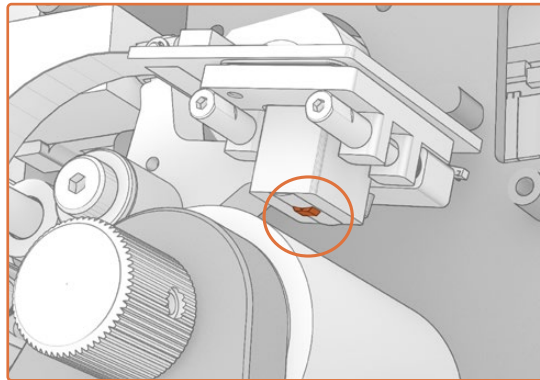


Poggia un panno umido sul rullo e ruota la manopola preposta per pulire il rullo per pellicola di Audio and KeyCode Reader

Per pulire il rullo e la testina magnetica di Audio and KeyKode Reader consigliamo di utilizzare solo acqua. L'alcol, lo xilene e altri prodotti chimici potrebbero danneggiarne gli accessori.

Pulire la testina magnetica di Audio and KeyKode Reader

Ogni tanto è bene pulire la testina magnetica di Audio and KeyKode Reader. Rimuovi la copertura del lettore estraendo le 4 viti M3 con una chiave a brugola da 2,5 mm.



Rimuovi la copertura di Audio and KeyKode Reader per accedere alla testina magnetica

Immergi un bastoncino di ovatta nell'acqua, scuotilo per rimuoverne l'eccesso e passalo delicatamente sulla testina magnetica per rimuovere la polvere. Fai asciugare la testina per qualche minuto prima di riavvitare la copertura.

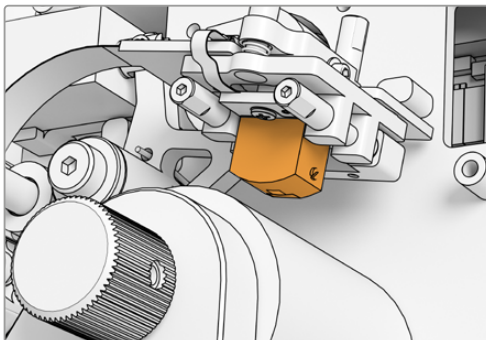
La testina magnetica è smagnetizzata per manifattura e non dovrebbe richiedere un'ulteriore smagnetizzazione.

Pezzi di ricambio per Cintel Scanner

I pezzi di ricambio per i principali componenti di Cintel Scanner sono disponibili nei centri di assistenza Blackmagic Design. La manutenzione di Cintel Scanner è alquanto facile e intuitiva, ma se hai bisogno di documentazione di supporto contatta il rivenditore più vicino a te.

Sostituzione della testina magnetica

Quando la striscia magnetica della pellicola passa attraverso la testina di Cintel Audio and KeyKode Reader, la superficie viene di volta in volta levigata. Col tempo questo riduce lo spazio iniziale, e di conseguenza anche la qualità dell'audio. Consigliamo di sostituire la testina magnetica ogni due o tre anni, in base all'uso.



NOTA Esistono due versioni della testina magnetica di Cintel Scanner:

V1

La prima versione della testina magnetica per Audio and KeyKode Reader è installata nei lettori con un numero seriale precedente a 6943522, e la sua produzione è stata sospesa.

V2

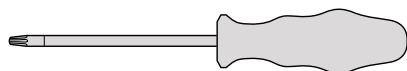
La testina magnetica attuale per Audio and KeyKode Reader è installata nei lettori con un numero seriale successivo a 6943522.

Se possiedi la V2 della testina magnetica per Audio and KeyKode Reader ti basterà seguire le istruzioni in questa sezione per sostituirla.

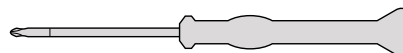
Se nel lettore è installata la V1 della testina, va sostituita con il modello V2. Questo aggiornamento è piuttosto complesso e richiede parti aggiuntive e conoscenze tecniche per essere eseguito. Per maggiori informazioni consulta il documento "Istruzioni per aggiornare Audio and KeyKode Reader alla V2". È anche possibile rivolgersi al rivenditore più vicino a te per eseguire l'installazione. Per contattare i nostri centri di assistenza o per scaricare il documento di installazione della nuova testina vai alla pagina Supporto www.blackmagicdesign.com/it/support. Una volta installato, la procedura di manutenzione è la stessa per la testina magnetica di seconda generazione.

Attrezzi necessari

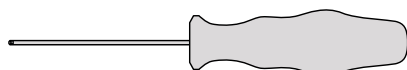
Qui sotto sono illustrati gli attrezzi necessari:



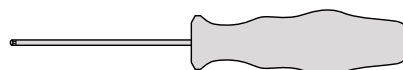
Cacciavite T10



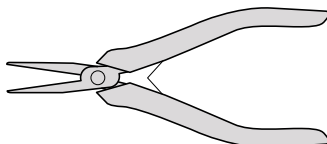
Cacciavite PH 00



Cacciavite a brugola 1,5 x 60



Cacciavite a brugola 2,5mm



Pinza o pinzetta

NOTA Utilizza solo attrezzi non magnetici per evitare di smagnetizzare la testina e ottenere i migliori risultati.

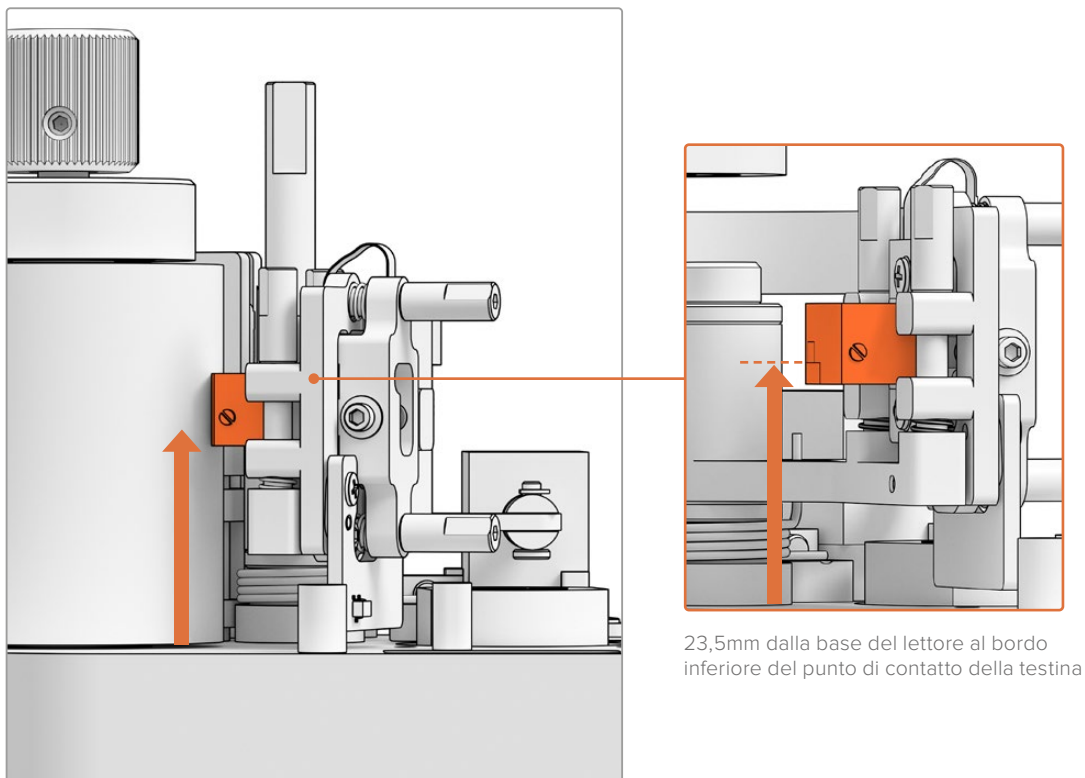
Prima della sostituzione della testina

Per ottenere le migliori prestazioni del lettore Audio and Keycode Reader consigliamo di catturare audio di riferimento prima di sostituire la testina, così potrai mettere a confronto la qualità dell'audio.

I seguenti tipi di pellicola sono ottimi campioni per l'audio di riferimento:

- S16mm Bezugs BF16-10A DIN 15.638 25fps - per test magnetico multi frequenza
- S16mm SepMag
- S16mm - inizio pellicola (bianco)
- S16mm ComOpt SMPTE P16MF - multi frequenza
- S35mm ComOpt SMPTE P35MF - multi frequenza
- Un riferimento adatto fornito dal cliente Combined Magnetic ComMag
- Un riferimento adatto fornito dal cliente Combined Optical ComOpt

Appuntati la posizione originale della testina magnetica. Questo è necessario per fare un controllo in fase di ricostruzione del lettore a seguito della sostituzione della testina. Misura lo spazio tra la base del lettore e il bordo del punto di contatto della testina magnetica. Dovrebbe essere di circa 23,5mm.

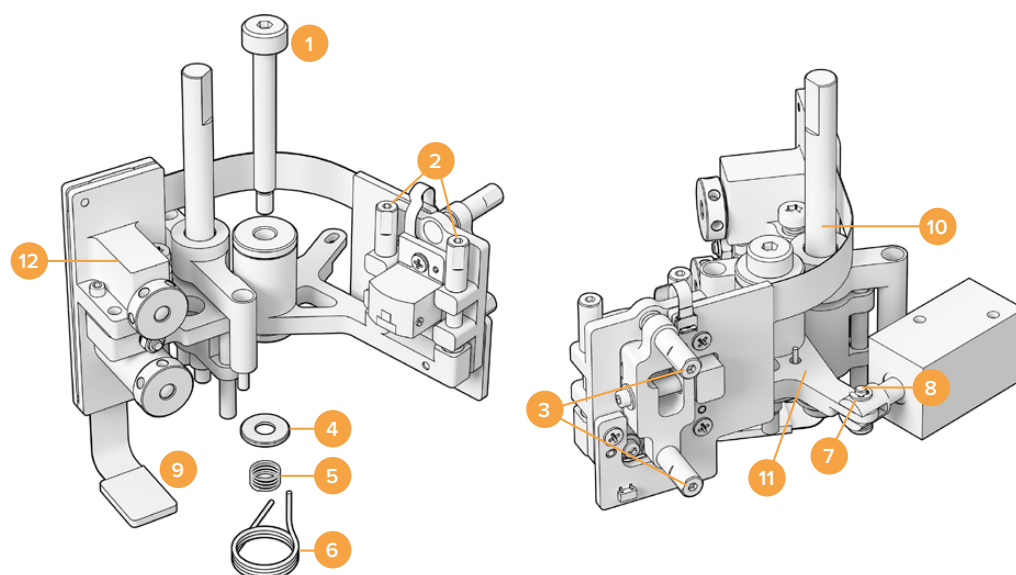


Calcolo altezza della testina magnetica dalla base del lettore

Una volta completate le misurazioni di controllo puoi rimuovere il lettore dallo scanner. Consulta la sezione "Installare Audio and Keycode Reader" per le istruzioni.

Sostituire il PCB della testina magnetica

Prima di sostituire la testina magnetica, osserva l'illustrazione qui sotto per familiarizzarti con le varie componenti del blocco completo.

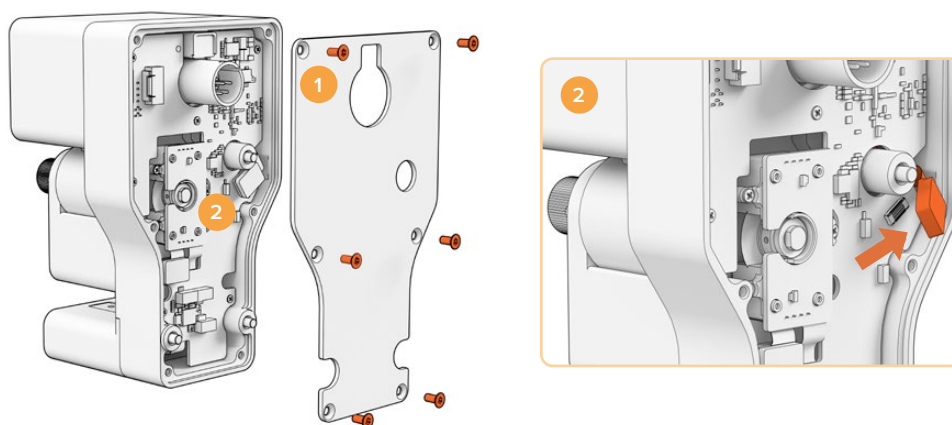


Componenti per l'assemblaggio del braccio per la testina magnetica

- | | | | |
|---|--|----|--|
| 1 | Vite M3 con bordo | 6 | Molla per il braccio della testina |
| 2 | Viti A1 e A2 per regolazione perpendicolare (azimut) | 7 | Anello E |
| 3 | Viti B1 e B2 per regolazione inclinazione (zenit) | 8 | Perno della forcella |
| 4 | Fermo per molla | 9 | Connettore del PCB del braccio per l'audio |
| 5 | Molla precaricata | 10 | Montante per regolazione altezza |
| | | 11 | Braccio della testina magnetica |
| | | 12 | Blocco ottico |

Una volta che hai preso dimestichezza con le varie componenti di Audio and KeyCode Reader e hai preparato gli attrezzi necessari, puoi cominciare il processo di sostituzione della testina magnetica.

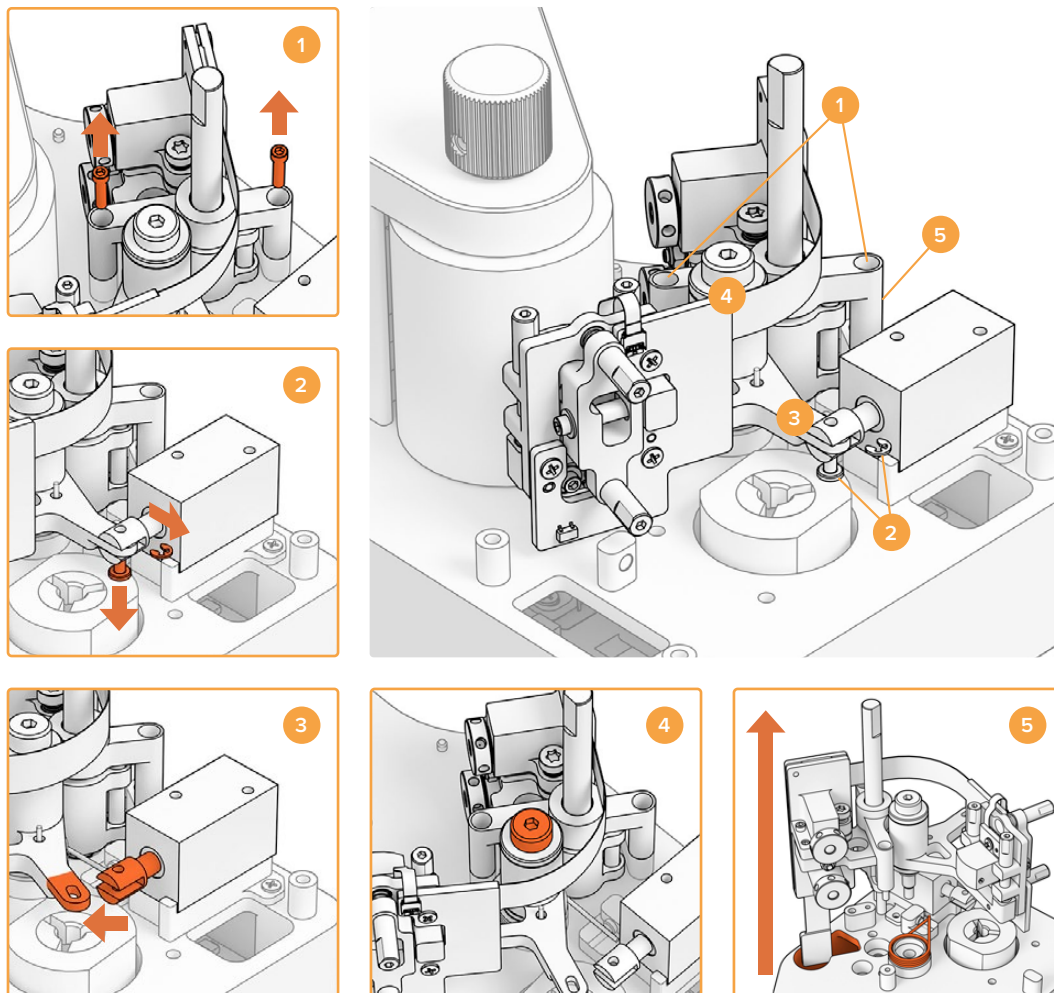
Rimuovere la piastra posteriore dal lettore



1. Rimozione della piastra 2. Disconnessione del blocco

- 1 Per accedere al retro del PCB principale è necessario rimuovere la copertura posteriore. Per farlo, svita le sei viti M3 Torx a testa svasata con un cacciavite T10.
- 2 Sul retro del lettore, sposta la staffa del connettore per disconnettere il blocco dal PCB principale.

Rimuovere il blocco



1. Rimozione del montante per regolazione altezza 2. Anello E solenoide e perno della forcella
3. Distacco braccio della testina magnetica 4. Vite M3 con bordo 5. Rimozione del blocco

- 1 Appoggia il lettore sul dorso. Con un cacciavite a brugola da 1,5mm rimuovi le due viti M2 da entrambi i lati del montante per regolazione altezza.
- 2 Con delle pinzette o pinze rimuovi l'anello E. Ora è possibile estrarre il perno della forcella e distaccare il braccio dal solenoide.

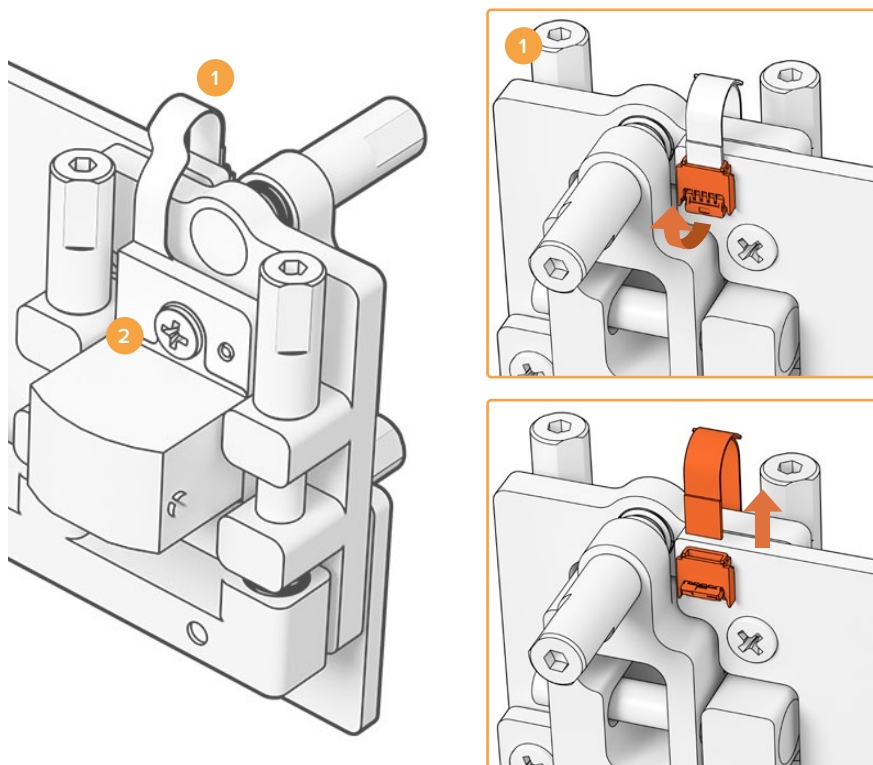
SUGGERIMENTO Per rimuovere il perno sposta il braccio finché il perno non riesce a muoversi nello spazio tra il dado (sul retro del connettore XLR che stringe il cavo) e il solenoide.

- 3 Sposta il braccio della testina magnetica per liberare il blocco dal solenoide.
- 4 Rimuovi la vite M3 con bordo con un cacciavite a brugola da 2,5mm.

- 5 Estrai delicatamente il blocco dal lettore, facendo passare il connettore del PCB del braccio per l'audio nel foro del PCB principale. La molla del braccio della testina magnetica potrebbe distaccarsi in questo passaggio. Tienila da parte finché non viene ricostruito il blocco.

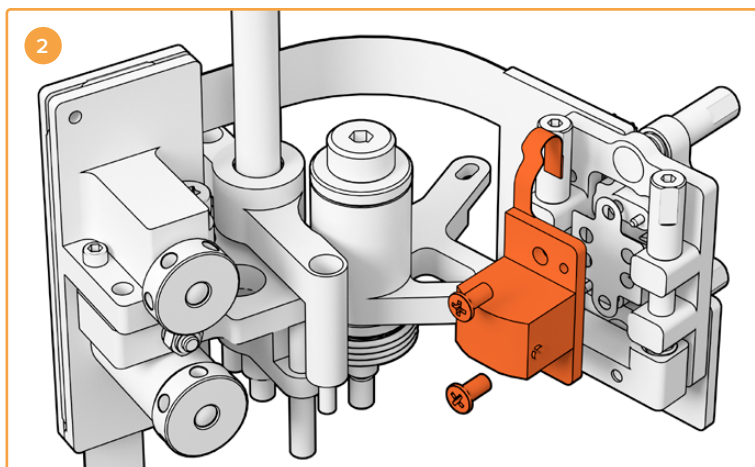
Ora estrai il fermo per molla e la molla precaricata dalla vite con bordo e la molla del braccio per la testina magnetica dalla cavità di montaggio.

Rimuovere la testina magnetica



1. Staffa del connettore PBC 2. Distacco testina magnetica

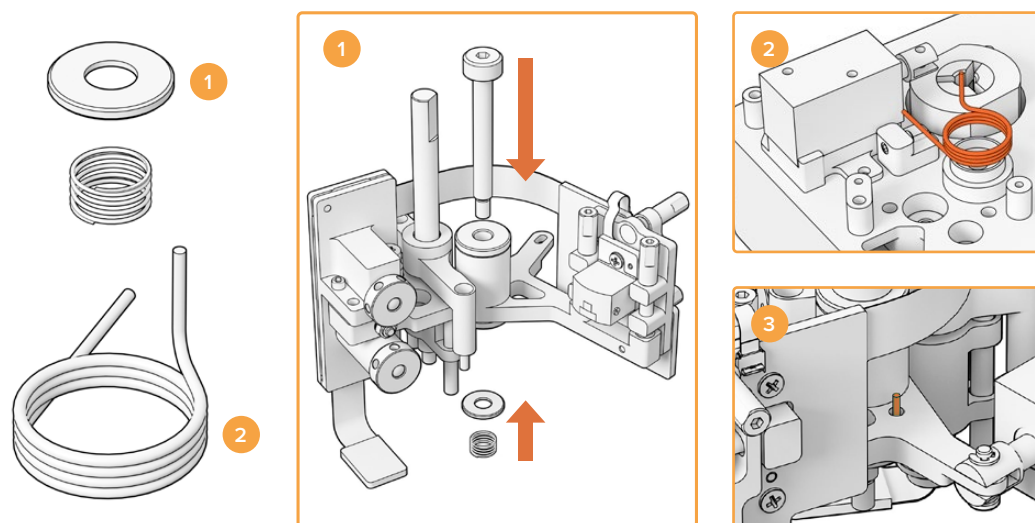
- 1 Sul retro del PCB del braccio per l'audio, sposta la staffa del connettore per rilasciare il PCB flex della testina magnetica. Una volta sganciato, estrai il PCB flex.



- 2 Rimuovi le due viti M2 a testa tonda con un cacciavite PH00 per staccare il PCB originale della testina magnetica dall'alloggio per azimut. Ora puoi disfarti del vecchio PCB della testina magnetica. Per installare la nuova testina magnetica basta seguire le istruzioni di rimozione al contrario.

Ricostruire il blocco

Una volta sostituita la testina magnetica, puoi cominciare a ricostruire e poi a reinstallare il blocco al lettore.



1. Fermo per molla e molla precaricata 2. Molla per il braccio della testina
3. Inserisci la molla per il braccio della testina nel braccio per l'audio

- 1 Inserisci il fermo per molla nella vite M3 con la parte dentellata rivolta verso il basso. Poi inserisci la molla precaricata nella vite M3.
- 2 Appoggia la molla del braccio della testina magnetica nella cavità di montaggio.
- 3 Il braccio dell'audio presenta un piccolo foro per la parte rialzata della molla. Quando installi il blocco, inserisci la parte rialzata della molla in questo foro.
- 4 Ora che entrambe le molle sono state inserite per l'assemblaggio e la cavità di montaggio, puoi installare il blocco sul lettore. Ti basterà seguire le istruzioni delle sezioni precedenti al contrario.

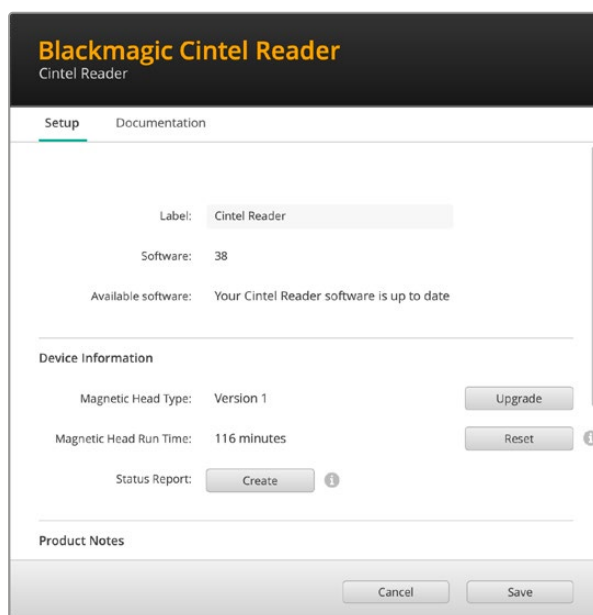
SUGGERIMENTO Quando installi il blocco al lettore assicurati che il connettore del PCB del braccio sia inserito nel piccolo foro nel PCB principale.

L'assemblaggio è completo e si può reinstallare l'Audio and KeyKode Reader su Cintel Scanner. Collega il lettore alla porta XLR di Cintel, e fissalo con tre viti imperdibili M3.

Aspetta a inserire le coperture frontali del lettore perché dovrai accedere ai componenti per i test e la calibrazione.

Resettare il runtime della testina magnetica

Una volta sostituita la testina magnetica di Audio and KeyCode Reader è necessario resettare il contatore del runtime con l'utilità Cintel Setup.



Nella sezione **Device information** clicca su **Reset**. Verrà azzerato il contatore del runtime, così potrai monitorare l'uso della nuova testina magnetica e sapere quando si avvicina il momento di sostituirla.

Clicca sul pulsante **Upgrade** solo se hai aggiornato la prima versione della testina a quella successiva. Per maggiori informazioni vai alla nostra pagina Supporto www.blackmagicdesign.com/it/support

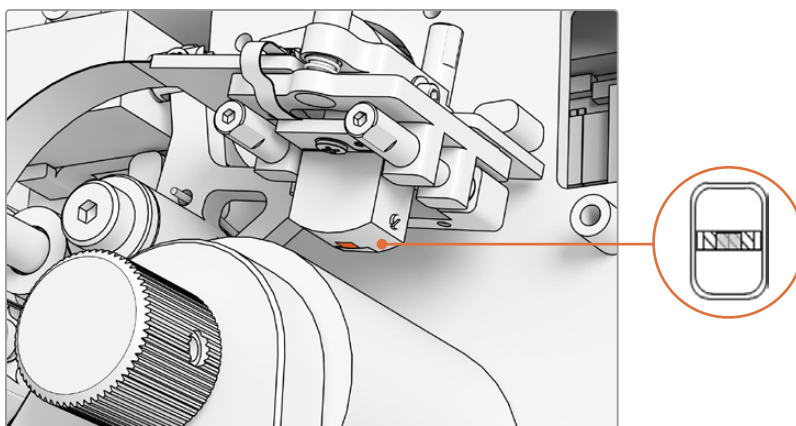
Verificare l'allineamento della testina

È essenziale allineare correttamente la testina magnetica per registrare audio di alta qualità e per evitarne un'usura irregolare.

Utilizza DaVinci Resolve per catturare file di audio ottico e magnetico per metterli a confronto con i tuoi file originali. I seguenti tipi di pellicola sono ottimi campioni per testare la risposta della testina magnetica appena sostituita:

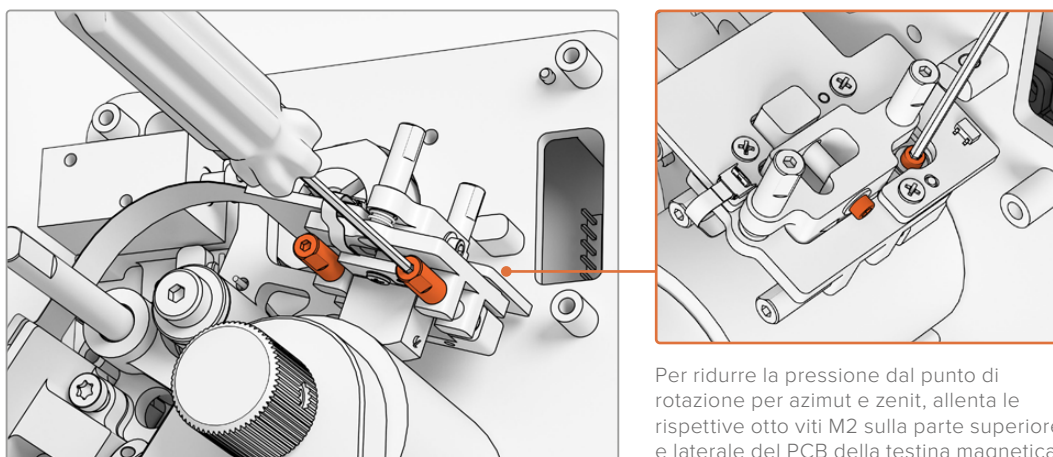
- S16mm Bezugs BF16-10A DIN 15638 25fps - per test magnetico multi frequenza
- S16mm SepMag
- S16mm - inizio pellicola (bianco)
- S16mm ComOpt SMPTE P16MF - multi frequenza
- S35mm ComOpt SMPTE P35MF - multi frequenza
- Un riferimento adatto fornito dal cliente Combined Magnetic, o CoMAG, e Combined Optical, o ComOpt.

Testina magnetica



Testina magnetica all'interno di Audio and KeyCode Reader

Quando regoli posizione e angolazione della testina magnetica, fai attenzione ad azimut, zenit, yaw e altezza del tracking. Utilizzando un cacciavite a brugola 1,5 x 60 regola azimut e tracking con le viti A1 e A2 e, se necessario, zenit e yaw con le viti B1 e B2.

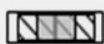


Regola l'azimut della testina magnetica con le viti A1 e A2 e un cacciavite a brugola 1,5mm

Per ridurre la pressione dal punto di rotazione per azimut e zenit, allenta le rispettive otto viti M2 sulla parte superiore e laterale del PCB della testina magnetica

Controllare il percorso di usura:

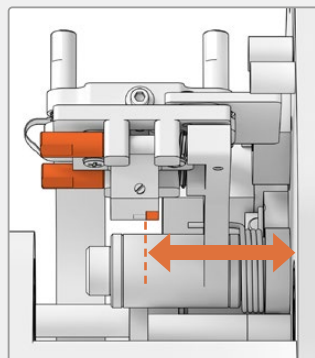
- 1 Fai il segno con la punta di un pennarello in corrispondenza della testina.
- 2 Fai svolgere l'inizio di una pellicola 16mm dai 3 ai 5 secondi.
- 3 Controlla che l'usura del segno del pennarello sia bilanciata da entrambi i lati e regola di conseguenza. Applica di nuovo il pennarello se è necessario fare altre prove.
- 4 Rimuovi eventuali residui di pennarello con dell'alcol etilico una volta ottenuto il risultato desiderato.



Un corretto allineamento risulta nell'usura bilanciata della testina.

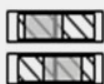
Allineamento

Allinea la testina alla traccia di una pellicola SepMag 16mm servendoti delle viti orizzontali azimuth A1 e A2. Come misurato prima dell'assemblaggio, la distanza tra il bordo del punto di contatto della testina magnetica e la base del lettore dovrebbe essere di circa 23,5mm. Tutte le viti di regolazione sono a molla e lubrificate, quindi non hanno bisogno di serraggio.

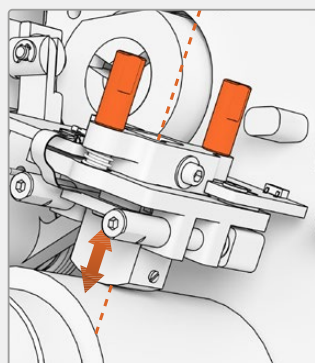


Altezza

Per regolare l'altezza della testina, gira le viti verticali B1 e B2 in egual misura. Esamina l'altezza della testina rispetto all'allineamento della pellicola. Ciò aiuterà a centrare il percorso di usura con la distanza tra la testina e la pellicola.



Se l'altezza non è impostata correttamente l'usura sarà sbilanciata.

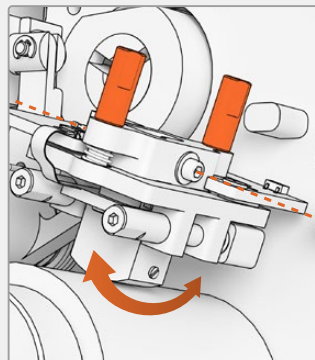


Zenit

Per regolare lo zenit, ovvero l'inclinazione, gira le viti verticali B1 e B2 separatamente. Esamina l'angolo della tangente della testina rispetto all'allineamento della pellicola. Ciò aiuterà a far sì che l'usura causata dal contatto con lo spazio tra testina e pellicola sia regolare.



Se lo zenit non è impostato correttamente l'usura sarà sbilanciata.

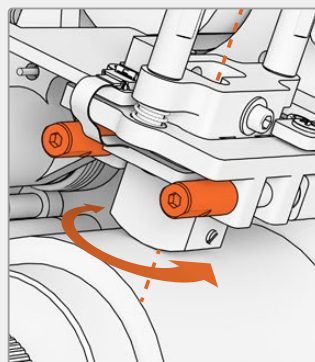


Azimut

Le viti orizzontali A1 e A2 per l'azimut regolano la posizione perpendicolare della testina, per ottenere la massima modulazione del segnale e linearità di fase.

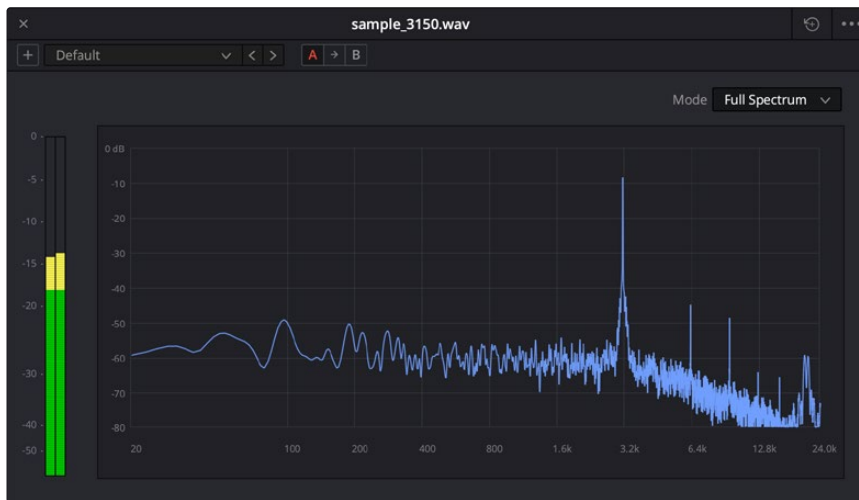


Se l'azimut non è impostato correttamente l'usura sarà sbilanciata e la risposta all'alta frequenza limitata.



NOTA Una volta che le regolazioni e le prestazioni della nuova testina magnetica ti soddisfano, avvita le otto viti a brugola M2 per bloccare nuovamente azimut e zenit.

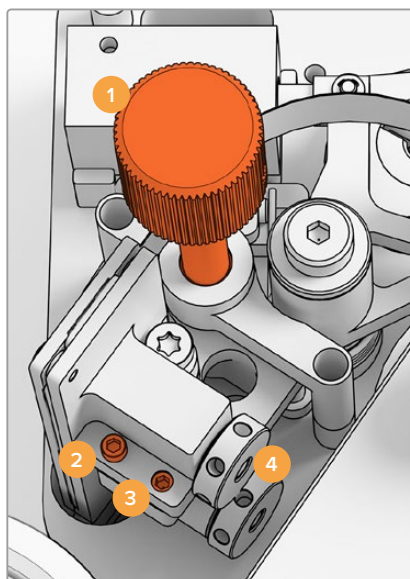
SUGGERIMENTO Per la pellicola di test del tono scegline una con una frequenza più alta possibile, 10kHz se possibile. Cattura e controlla i file .wav e FFT su Resolve utilizzando gli strumenti Frequency Analyser di Fairlight. In alternativa puoi utilizzare uno strumento di analisi in tempo reale di terzi (se disponibile) servendoti della porta per cuffie o del dispositivo audio Desktop Video per lo scanner.



Esempio di Frequency Analyser di una traccia W&F con frequenza 3,15 kHz

Verificare l'allineamento del blocco audio ottico

Controlla che le lenti dell'audio ottico siano allineate per verificare che il blocco dell'audio ottico funzioni correttamente.



1. Manopola di regolazione del tracking
2. Vite M2 per regolazione azimut
3. Vite M3 per bloccaggio azimut
4. Lenti per audio ottico

Regolazione tracking

Con la manopola di tracking allinea le lenti per audio ottico con le tracce audio delle pellicole 16mm e 35mm. Assicurati che le lenti coprano ognuna delle tracce audio senza clippare l'altra. Potrai controllare la potenza dell'audio da una pellicola Combined Optical, o ComOpt, ed esaminare la forma d'onda e FFT nella pagina Fairlight di DaVinci Resolve con lo strumento Frequency Analyser. In alternativa puoi utilizzare uno strumento di analisi in tempo reale di terzi (se disponibile) servendoti della porta per cuffie o del dispositivo audio Desktop Video per lo scanner.

Azimut

L'azimut del blocco dell'audio ottico è già impostato di fabbrica, quindi segui le istruzioni qui sotto solo nel raro caso in cui sia necessario regolarlo.

- 1 Rilascia la vite M3 della regolazione azimut con un cacciavite a brugola da 1,5mm.
- 2 Utilizzando una pellicola 35mm di test del tono ad alta frequenza stereo, ruota la vite azimut M2 per far sì che i canali destro e sinistro siano allineati e in fase.
- 3 Quando il risultato ti soddisfa, imposta l'azimut serrando la vite.

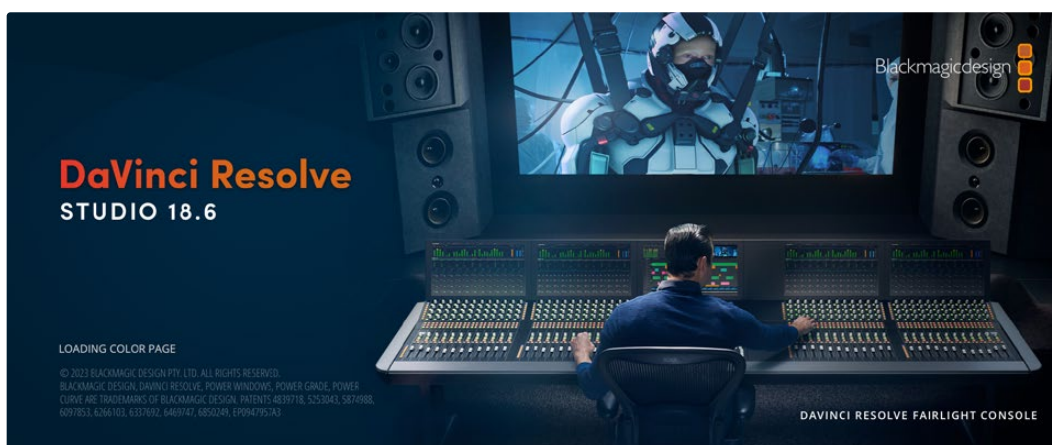
NOTA A volte serrando la vite azimut si può cambiare leggermente l'impostazione azimut. Se dovesse succedere basta ripetere i passaggi precedenti.

Una volta completata la calibrazione della testina magnetica e del blocco dell'audio ottico, richiudi il pannello di copertura con le quattro viti imperdibili M3 e un cacciavite a brugola da 2,5mm. Con il pannello di copertura installato puoi reinserire la manopola di tracking con un cacciavite a brugola da 1,5mm.

Lavorare con le clip in Resolve

Lo strumento **Clone** nella pagina Media di DaVinci Resolve permette di creare un backup delle clip in fase di scansione. Consigliamo di usarlo per evitare di perdere i file digitalizzati, poiché qualsiasi tipo di contenuto è soggetto a danneggiamento o malfunzionamento. Dopo aver creato un backup dei file, puoi importare le clip digitalizzate nel Media Pool, collocarle in una timeline, fare la correzione colore ed esportarle senza mai uscire da DaVinci Resolve.

SUGGERIMENTO Le clip HDR sono riconoscibili dall'icona HDR nell'angolo in basso a sinistra della thumbnail.



Poiché Cintel Scanner cattura le immagini nel formato CRI (Cintel Raw Image) con un'ampia gamma dinamica, grazie a DaVinci Resolve potrai manipolarle per ottenere qualsiasi look. DaVinci Resolve è molto più di un semplice software di montaggio non lineare perché offre tecnologia altamente avanzata per il cinema digitale di alta fascia, la stessa a tua disposizione per montare e correggere il colore del materiale digitalizzato.

Le sezioni seguenti descrivono i passaggi necessari per lavorare ai file digitalizzati. DaVinci Resolve è un programma estremamente avanzato, con numerosissime funzioni che potrai scoprire navigando l'interfaccia. Per approfondire il suo funzionamento, consulta il manuale di istruzioni di DaVinci Resolve sul sito di Blackmagic Design, dove troverai anche numerosi corsi di apprendimento e tutorial online.

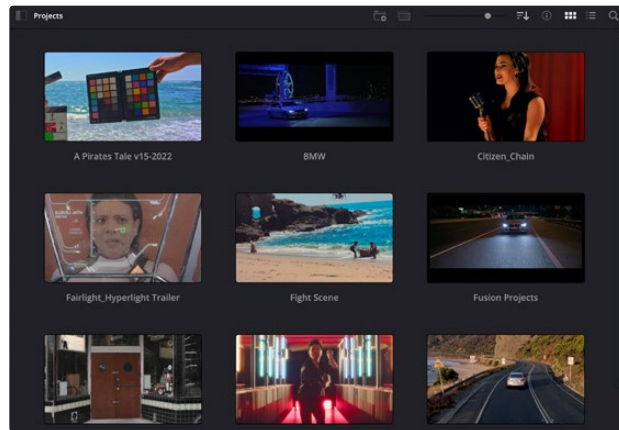
Project Manager

Prima di importare le clip e cominciare il montaggio è necessario impostare il progetto con Project Manager.

È la prima finestra che compare quando apri DaVinci Resolve, a cui puoi accedere in qualsiasi momento dall'icona della home in basso a destra nell'interfaccia, per esempio per aprire progetti precedenti e crearne di nuovi.

Per creare un nuovo progetto, clicca su **New project** in basso nella finestra e assegnagli un nome. Conferma con **Create**.

Apri la pagina Cut per cominciare il montaggio.



Project Manager mostra tutti i progetti dell'utente attivo

Per tutti i dettagli su Project Manager, consulta il manuale di DaVinci Resolve disponibile alla pagina Supporto del sito Blackmagic Design.

Montaggio nella pagina Cut

La pagina Cut è progettata per un workflow veloce e dinamico con strumenti efficienti di assemblaggio, trimming e montaggio.

Include due timeline attive per lavorare contemporaneamente all'edit complessivo e a una sezione specifica. Questo ti permette di trascinare le clip ovunque nella timeline completa e di affinare l'edit su quella dettagliata all'interno dello stesso spazio di lavoro. Questo workflow è ideale per svolgere il montaggio su un laptop perché non bisogna zoomare avanti e indietro di continuo, abbattendo i tempi di lavoro.

La struttura della pagina Cut

La Cut page contiene l'archivio multimediale (Media Pool), il visualizzatore (viewer) e la timeline. Queste tre sezioni principali offrono un controllo completo delle operazioni.



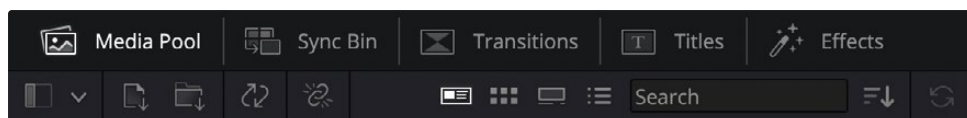
Lo spazio di lavoro della pagina Cut con l'archivio multimediale organizzato a icona

Per maggiori informazioni sulla pagina Cut consulta il manuale di DaVinci Resolve.

Le tab degli strumenti

In alto a sinistra dell'interfaccia utente trovi cinque tab.

Ognuna racchiude strumenti utili durante la creazione di un edit. Per esempio la prima tab, evidenziata nell'immagine qui sotto, apre il Media Pool. Le altre tab aprono il Sync Bin e le collezioni di transizioni, titoli ed effetti.



Media Pool

L'archivio multimediale contiene tutte le clip, le cartelle e i file importati nella pagina Media. I file e le clip si possono anche importare direttamente dalla pagina Cut, senza dover tornare alla pagina Media.

Sync Bin

Questa potente funzione sincronizza automaticamente tutte le clip per timecode, data e ora, consentendoti di scegliere tra gli angoli disponibili delle riprese multicamera.

Transitions

Qui trovi la collezione di transizioni audio e video, tra cui le comuni dissolvenze incrociate e le tendine.

Titles

Qui trovi tutti la collezione di titoli, tra cui testo a scorrimento, testo standard e terzi inferiori. Ci sono anche i template Fusion per titoli animati dinamici, personalizzabili nella pagina Fusion di DaVinci Resolve.

Effects

Qui trovi la collezione di filtri ed effetti per rendere l'edit più interessante, per esempio con sfocature, bagliori e riflessi. Puoi scegliere tra numerosi effetti e cercarli per nome.

SUGGERIMENTO Usa la casella di ricerca a lato delle tab degli strumenti per trovare subito quello che stai cercando. Per esempio basta cliccare sulla tab Transitions e scrivere *dissolve* per vedere nel viewer solo le transizioni con dissolvenza.




Le tab del viewer

In alto a sinistra nella finestra del viewer trovi tre icone per scegliere cosa visualizzare nel viewer.



Le icone per impostare il viewer

Nel viewer è possibile visualizzare la clip sorgente, il nastro intero o la timeline. Queste opzioni semplificano di gran lunga la selezione delle clip da montare, quindi vale la pena capirle come sfruttarle al meglio.



	Source Clip	Mostra una sola clip del Media Pool e permette di inserire i punti di attacco e stacco lungo l'intera timeline nel viewer. Offre un livello di controllo altamente dettagliato. Seleziona una clip sorgente cliccandoci due volte nel Media Pool o trascinandola nel viewer.
	Source Tape	Mostra tutte le clip sorgente nel Media Pool. È utile per scorrere velocemente tutte le clip e individuare un evento specifico. Mentre sposti la playhead sulle clip, il Media Pool mette in evidenza le thumbnail corrispondenti. Dopo aver trovato la clip desiderata, clicca sull'icona Source Clip per aprirla nel viewer. Questa opzione favorisce il montaggio non lineare perché consente di lavorare con flessibilità, trovare velocemente le clip e sperimentare nuove idee all'istante.
	Timeline	Mostra la timeline completa, ideale per riprodurre il progetto e affinare gli edit.

Importare le clip nel Media Pool

Ora puoi cominciare a importare il materiale nel progetto. Apri la pagina Cut e usa uno dei due strumenti di importazione in alto.



Le icone per importare il materiale nel progetto

	Import Media	Importa singoli file dal supporto in cui sono archiviati.
	Import Media Folder	Importa una cartella dal supporto in cui è archiviata. DaVinci Resolve mantiene la struttura del file e considera ogni cartella come bin distinto per facilitare la navigazione.

Per importare il materiale:

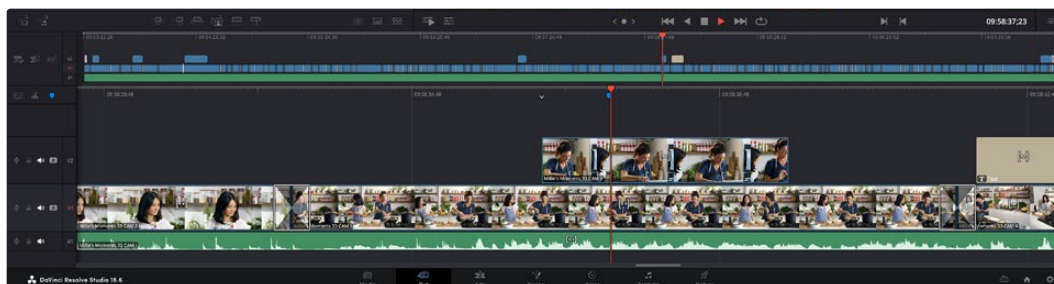
- 1 Clicca sull'icona **Import Media** o **Import Media Folder**.
- 2 Scegli i file da importare dal supporto di archiviazione.
- 3 Seleziona il file o la cartella e clicca su **Open**.

Dopo aver importato i file nel progetto puoi salvare i cambiamenti. DaVinci Resolve offre un meccanismo di autosalvataggio veloce chiamato **Live Save**: una volta salvato il progetto, tutti i cambiamenti successivi verranno salvati man mano per evitare di perdere il lavoro svolto.

Tutti i dettagli su Live Save e sulle altre funzioni di autosalvataggio sono contenuti nel manuale di DaVinci Resolve.

Aggiungere clip nella timeline

Questa operazione si svolge all'interno del Media Pool.



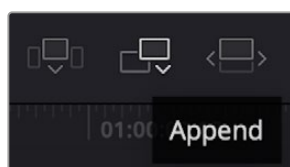
La timeline superiore e inferiore nella pagina Cut

La timeline è lo spazio in cui prende forma l'edit. È come una bacheca contenente tracce in cui puoi inserire, spostare e tagliare le clip. Le tracce consentono di sovrapporre le clip per testare diverse soluzioni e inserire transizioni ed effetti. Per esempio puoi testare un edit su una clip senza compromettere le clip nelle tracce sottostanti.

Ci sono vari modi per aggiungere le clip nella timeline, tra cui Smart Insert (inserimento intelligente), Append (accodamento) e Place on Top (collocamento al di sopra).

Accodare le clip

Il metodo più comune per aggiungere clip nella timeline consiste nell'inserirle una dopo l'altra. Per farlo c'è un apposito strumento chiamato Append.



Clicca sull'icona Append per inserire le clip una dopo l'altra

Per accodare le clip:

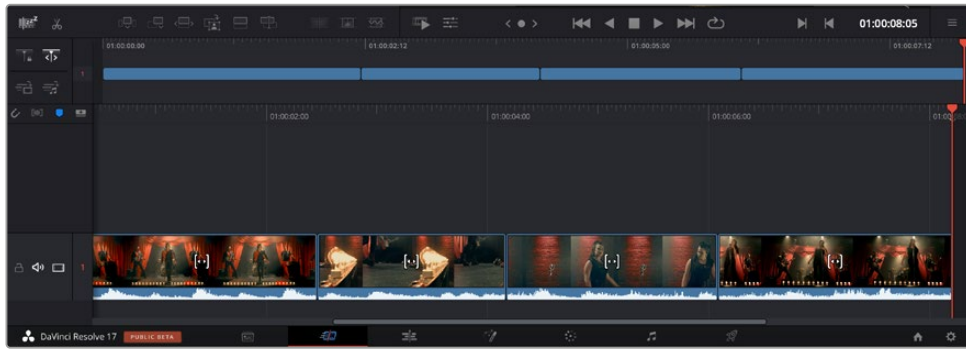
- 1 Fai doppio clic su una clip nel Media Pool per aprirla nel viewer.
- 2 Con le maniglie Scratch Trim, trascina i punti di attacco e stacco per selezionare la durata desiderata, o premi i tasti **I** e **O** sulla tastiera.



- 3 Clicca sull'icona **Append** sotto il Media Pool.

Questa sarà la prima clip della timeline.

Ripeti i passaggi 1-3 per continuare ad accodare le clip, un metodo che non lascia spazi vuoti nella timeline.



La funzione Append non lascia spazi vuoti nella timeline

SUGGERIMENTO Per velocizzare l'operazione puoi assegnare una scorciatoia alla funzione Append, per esempio il tasto P. Dopo aver selezionato i punti di attacco e stacco basterà premere P per accodare la clip. Consulta il manuale di DaVinci Resolve per maggiori informazioni sui tasti di scelta rapida.

Montare le clip nella timeline

Una volta inserite le clip nella timeline, puoi spostarle e tagliarle (trimming).

Per fare un taglio, posiziona il mouse all'inizio o alla fine della clip, poi clicca e trascina la maniglia a destra o a sinistra per estenderne o diminuirne la durata. Dopodiché, tutte le clip che seguono il taglio si sposteranno per accogliere la modifica. Questo è uno dei tanti motivi per cui la Cut page fa risparmiare tempo prezioso.

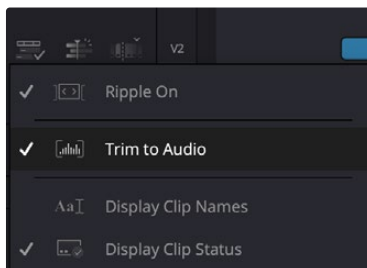
Puoi anche trascinare una clip su una nuova traccia video nella timeline superiore senza dover zoomare avanti o indietro, minimizzando così il tempo impiegato a navigare le timeline lunghe.

Trimming con audio

Questa funzione consente un editing accurato dell'audio grazie a una forma d'onda ingrandita. È particolarmente utile per le scene di dialogo o per le clip musicali perché permette di trovare facilmente i punti di edit tra le parole o i suoni.

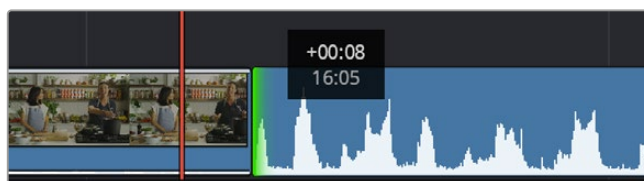
Per usare la funzione di trimming con audio:

- 1 Clicca l'icona delle opzioni della timeline e seleziona **Trim to Audio**.



La funzione Trim to Audio

- 2 Durante il trimming, la timeline mostrerà una forma d'onda ingrandita. Al termine dell'operazione, le clip nella timeline torneranno alla dimensione normale.



La funzione Audio Trim ingrandisce la forma d'onda audio nella timeline

Dopo aver montato le clip nella pagina Cut, puoi procedere con l'inserimento dei titoli. La sezione successiva spiega come fare.

Inserire i titoli

Inserire un titolo nella timeline è facile e sono disponibili numerose opzioni.

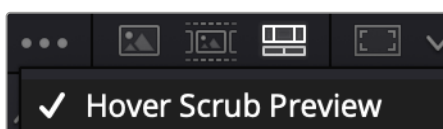
Clicca sulla tab degli strumenti **Titles** in alto a sinistra nell'interfaccia. Nella finestra di selezione troverai i generatori di titoli (visualizzabili come thumbnail), tra cui terzi inferiori, titoli scorrevoli e testo standard. Ci sono anche titoli Fusion contenenti animazioni personalizzabili.

Anteprima dei titoli

Prima di aggiungere un titolo nella timeline puoi visualizzarlo nella finestra di selezione e valutare le opzioni a disposizione prima di prendere una decisione.

Per vedere l'anteprima di un titolo:

- 1 Clicca sul menù opzioni in alto a destra nella finestra dei titoli e seleziona **Hover Scrub Preview**.



Seleziona Hover Scrub Preview dal menù opzioni

- 2 Nella finestra **Titles** posiziona il cursore del mouse sulle thumbnail per vedere l'anteprima del titolo nel viewer. Per vedere le animazioni dei titoli Fusion, muovi il cursore del mouse da sinistra a destra sulla thumbnail.



Posiziona il cursore del mouse sul titolo per vederne l'anteprima nel viewer

Aggiungi il titolo desiderato nella timeline.

Per aggiungere un titolo standard:

- 1 Clicca sul nome del titolo e trascinalo nella timeline, preferibilmente in quella dettagliata per lavorare con maggiore precisione. La timeline crea automaticamente una nuova traccia video per il titolo, agganciandola all'istante alla playhead.
- 2 Rilascia il cursore del mouse e vedrai il titolo comparire nella nuova traccia. Ora puoi spostarlo e cambiarne la durata come se fosse una clip.
- 3 Per modificarlo, clicca sulla clip che lo contiene e poi clicca sull'icona degli strumenti sotto il viewer.

Qui trovi diverse opzioni per modificare il titolo, tra cui trasforma, ridimensiona e zoom dinamico.

- 4 Clicca sulla tab **Inspector**.

Usa la finestra dell'Inspector per scrivere il testo e modificarne le impostazioni, per esempio spaziamento, interlinea, carattere e colore.

I titoli sono altamente personalizzabili. Consigliamo di sperimentare le impostazioni per scoprire l'effetto che hanno sull'aspetto finale del titolo.

SUGGERIMENTO La funzione Hover Scrub Preview funziona anche per gli effetti, le transizioni, i generatori e i filtri nelle pagine Cut e Edit.

Lavorare con i file Blackmagic RAW

Le clip Blackmagic RAW offrono la massima flessibilità in post produzione. Significa che puoi modificare le impostazioni, per esempio il bilanciamento del bianco e l'ISO, come se stessi modificando quelle originali della camera. Inoltre Blackmagic RAW mantiene un maggiore quantità di informazioni tonali all'interno di luci e ombre, indispensabili per recuperare i dettagli, ad esempio di un cielo sovraesposto e delle zone scure dell'immagine.

Filmare in Blackmagic RAW si ottiene la migliore qualità possibile, ed è ideale per le riprese soggette a variazioni drastiche tra le luci e le ombre che richiedono una manipolazione considerevole durante il color grading.

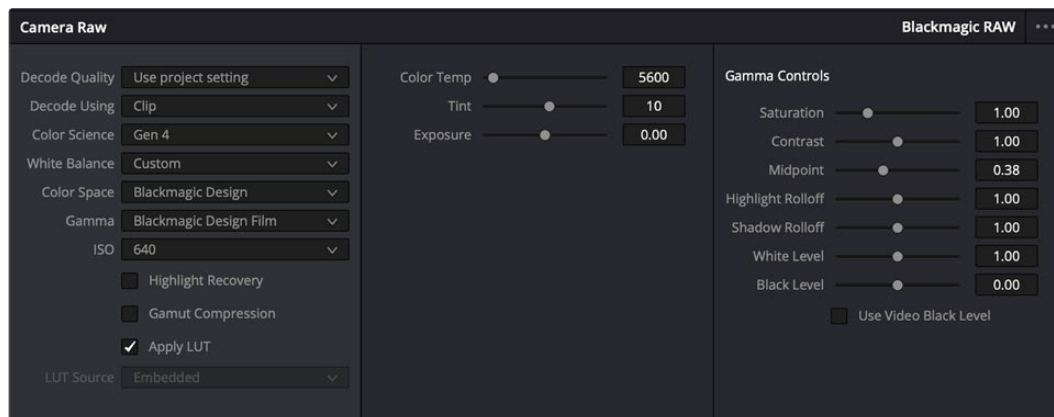
Poiché i file Blackmagic RAW sono veloci e di piccole dimensioni, non è necessario creare file proxy per riprodurre le immagini come una normale videoclip. Continua a leggere per scoprire come usare i file Blackmagic RAW nei flussi di lavoro DaVinci Resolve.

SUGGERIMENTO Consigliamo di regolare le impostazioni delle clip Blackmagic RAW nella pagina Color prima di iniziare a correggere il colore.

Impostazioni della clip Blackmagic RAW

Quando importi file Blackmagic RAW per la prima volta, DaVinci Resolve decodifica i dati della camera mediante l'ISO, il bilanciamento del bianco e la tinta usati durante le riprese. Se le impostazioni sono soddisfacenti, puoi procedere con il montaggio.

Filmare in Blackmagic RAW offre il vantaggio di non essere limitati dalle impostazioni esistenti. La quantità e la qualità delle opzioni creative disponibili in post per i file Blackmagic RAW favoriscono lo sviluppo di flussi di lavoro personalizzati. Testa le impostazioni delle singole clip nella finestra **Camera Raw** del software per scoprire l'incredibile flessibilità e le prestazioni di questo formato.



In Camera Raw vai su Decode Using > Clip per cambiare le impostazioni Blackmagic RAW della clip

Modificare le impostazioni Blackmagic RAW

Una volta abilitate le impostazioni Blackmagic RAW della clip, puoi modificarle dalla sezione **Gamma Controls**. Regolando queste impostazioni otterrai un risultato molto simile a quello post correzione primaria. Le regolazioni sono particolarmente efficaci se svolte con l'aiuto dei visualizzatori di segnale di DaVinci Resolve, utili per neutralizzare e bilanciare le clip prima di creare i look.

La lista seguente descrive le impostazioni delle sezioni Camera Raw e Gamma Controls.

ISO

Aumenta o diminuisci il valore di ISO. È utile per impostare la clip con un livello pre-ottimizzazione di base più luminoso o più scuro.

Highlight Recovery

Spunta questa casella per recuperare i dettagli di luce nei canali clippati usando le informazioni dei canali non clippati.

Gamut Compression

Spunta questa casella per usare automaticamente livelli di gamut sicuri.

Color Temp

Regola la temperatura del colore per rendere l'immagine più calda o più fredda. È utile per neutralizzare il bilanciamento del colore di ogni immagine.

Tint

Aggiungi verde o magenta all'immagine per favorire il bilanciamento del colore.

Exposure

Regola la luminosità complessiva dell'immagine.

Saturation

Impostato di default su 1, la saturazione offre un intervallo da un minimo di 0 a un massimo di 4.

Contrast

Impostato di default su 1.0, il contrasto offre un intervallo da un minimo di 0 a un massimo di 2.

Midpoint

Con l'opzione di gamma Blackmagic Design Film, il valore medio del grigio è 0.38 di default, o 38.4%. Sposta lo slider verso sinistra per diminuire il valore, e verso destra per aumentarlo fino a un massimo di 100. Se imposti il contrasto su un valore diverso da quello di default, puoi modificare anche Highlight Rolloff e Shadow Rolloff.

Highlight Rolloff

Sposta lo slider verso sinistra o destra per diminuire o aumentare le luci da un minimo di 0 a un massimo di 2. Il valore di default è 1.

Shadow Rolloff

Sposta lo slider verso sinistra o destra per diminuire o aumentare le ombre da un minimo di 0 a un massimo di 2.

White Level

Regola il punto bianco della curva gamma spostando lo slider da un valore massimo di 2 a un valore minimo di 0. Il valore di default è 1.

Black Level

Regola il punto nero della curva gamma spostando lo slider da un valore minimo di -1 a un valore massimo di 1. Il valore di default è 0.

Use Video Black Level

Spunta questa casella per impostare Black Level su Video.

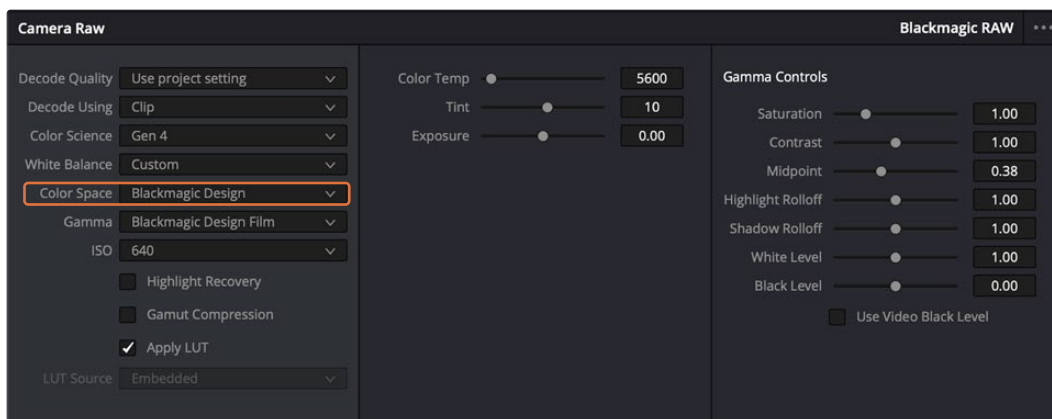
Export Frame

Clicca questo pulsante per esportare un singolo fotogramma dalla clip Blackmagic RAW.

Update Sidecar

Clicca questo pulsante per aggiornare il file sidecar Blackmagic RAW della clip corrente.

Cambiando anche solo una delle impostazioni Blackmagic RAW della, la voce **Gamma** si auto-imposta sull'opzione **Blackmagic Design Custom**.



Per riportare la clip a una delle impostazioni di gamma di default, selezionala dal menù a discesa Gamma

SUGGERIMENTO Le impostazioni sotto Gamma Controls sono disabilitate se le riprese sono state eseguite con gamma dinamica Video, ma i dati Blackmagic RAW non vanno persi. Per abilitarle e modificarle, seleziona l'opzione Blackmagic RAW Film o Blackmagic Design Extended Video dal menù a discesa Gamma.

Per salvare le modifiche ai file Blackmagic RAW:

- 1 Modifica la clip Blackmagic RAW con le impostazioni della sezione Gamma Controls.
- 2 Clicca il pulsante **Update Sidecar**.

Il file sidecar aggiornato si salva nella stessa cartella del file .braw. Se un altro utente importa i file Blackmagic RAW, DaVinci Resolve leggerà i file sidecar automaticamente. Clicca su **Update Sidecar** ogniqualvolta apporti una modifica.

SUGGERIMENTO Per rimuovere un file sidecar basta eliminarlo dal supporto in cui si trova.

Impostazioni di progetto per Blackmagic RAW

Se desideri cambiare alcune impostazioni e applicarle a tutte le clip, per esempio il bilanciamento del bianco o l'ISO, puoi indicare a Blackmagic RAW di usare le impostazioni di progetto di Camera Raw.

Per impostare le impostazioni di progetto per Blackmagic RAW:

- 1 Clicca **File > Project Settings**.
- 2 Nella finestra **Camera Raw** clicca sul menù accanto a **RAW Profile** e seleziona **Blackmagic RAW** dalla lista.
- 3 Dal menù **Decode Using** seleziona **Project**.
- 4 Seleziona la scienza del colore desiderata dal menù **Color Science**.
- 5 Imposta il bilanciamento del bianco **White Balance** su **Custom**.
- 6 Seleziona **Blackmagic Design Custom** dal menù **Gamma**. Imposta lo spazio colore **Color Space** su **Blackmagic Design**.

- 7 Scegli la risoluzione dal menù **Decode Quality**. Una risoluzione bassa consente un playback migliore sui sistemi meno potenti. Avrai comunque la flessibilità di scegliere la piena risoluzione prima dell'esportazione per una consegna di massima qualità.

Ora puoi cambiare le impostazioni della camera per le clip, per esempio saturazione, contrasto e mezzitoni. I cambiamenti avranno effetto su tutte le clip del progetto se Decode Using è impostato su Project.

Correggere le clip nella pagina Color

Dopo aver inserito le clip e i titoli nella timeline, apri la pagina Color per cominciare la correzione colore. Qui trovi strumenti ad alta prestazione per generare il look complessivo del film. Per questo esempio, supponiamo di voler neutralizzare le clip per uniformarle. Puoi anche ritoccare l'edit ritornando alle pagine Cut o Edit in qualsiasi momento.

La pagina Color permette di definire l'estetica delle immagini montate. Come una forma d'arte, la correzione colore conferisce emozioni a un'opera. È una tappa creativa indispensabile ma anche molto soddisfacente perché le immagini prendono vita davanti ai tuoi occhi. Il primo passaggio corrisponde alla correzione colore primaria. Poi viene il turno della correzione colore secondaria, ovvero regolazioni mirate ad aree specifiche dell'immagine. Ti ci puoi sbizzarrire, ma ricorda che per ottenere i migliori risultati è preferibile fare la correzione secondaria solo dopo aver completato quella primaria.

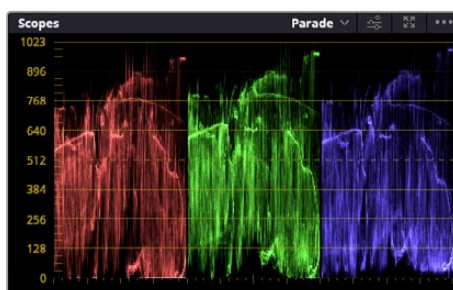
Apri la pagina Color.

Oltre alle palette delle impostazioni Camera Raw, delle ruote di colore, delle curve e di altri strumenti di correzione, qui trovi le finestre di anteprima e dei nodi. Non scoraggiarti davanti all'incredibile quantità di funzioni, sono state progettate per consentirti di ottenere immagini meravigliose. Questa sezione illustra le operazioni di base. Consulta le sezioni di interesse del manuale per approfondire il funzionamento dei vari strumenti, passo dopo passo. Imparerai a usare le stesse tecniche dei coloristi professionisti.

Solitamente la correzione del colore primaria inizia con l'ottimizzazione di ombre, mezzitoni e luci, ovvero Lift, Gamma e Gain. Queste regolazioni servono per creare un punto di partenza uniforme prima di passare alle operazioni successive. Per ottimizzare i livelli è importante osservare i visualizzatori di segnale.

Utilizzare i visualizzatori di segnale

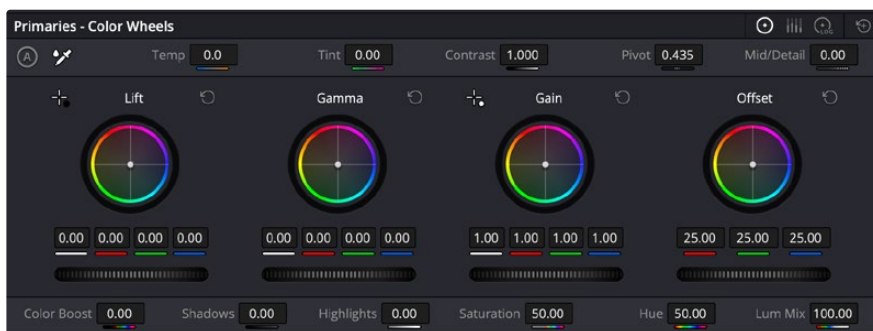
I coloristi combinano il colore in modo creativo per trasmettere le emozioni che vogliono suscitare nel pubblico, e per farlo si affidano unicamente al monitor. Con un po' di pratica sarai in grado di comunicare idee e sensazioni facendo interagire in modo strategico gli elementi dell'immagine e la luce.



Usa l'allineamento RGB mentre ottimizzi luci, mezzitoni e ombre

I visualizzatori integrati sono di grande aiuto durante il bilanciamento delle immagini. Aprine uno cliccando il pulsante **Scope**, il secondo da destra nella barra delle palette. Puoi scegliere tra forma d'onda **Waveform**, allineamento RGB **Parade**, vettroscopio **Vectorscope**, istogramma **Histogram** e cromaticità CIE **CIE Chromaticity**. Grazie ai visualizzatori puoi tenere sotto controllo il bilanciamento tonale e i livelli del video, per non perdere dettagli nelle zone di luce e di ombra, e notare la presenza di tinte indesiderate.

Le ruote di colore Lift, Gamma, e Gain nella palette Color Wheels di solito si usano per apportare le prime regolazioni e notare sono simili ai controlli di correzione colore e contrasto di altre applicazioni.



Le ruote di colore Lift, Gamma, Gain e Offset offrono un alto grado di controllo sul colore e sul bilanciamento tonale. Muovi le rotelle sottostanti per regolare uniformemente i colori di ciascuna zona tonale



Le barre primarie facilitano le operazioni se usi il mouse

Se lavori con il mouse puoi trasformare le ruote di colore in barre e regolare ciascun canale di colore e la luminosità singolarmente. Basta selezionare **Primaries Bars** dal menù a discesa della palette **Color Wheels**.

Regolare le ombre

dopo aver selezionato la clip nella timeline della pagina Color, clicca sulla rotella della prima ruota di colore **Lift**, falla scorrere avanti e indietro e osserva come cambia l'immagine. Aumenta o diminuisci la luminosità delle zone scure fino a ottenere il risultato desiderato. Diminuendo troppo la luminosità si perdono dettagli nelle zone scure. Usa l'allineamento RGB per evitare che accada. La posizione ottimale del livello del nero sulla forma d'onda è appena sopra la linea inferiore del grafico.

Regolare le luci

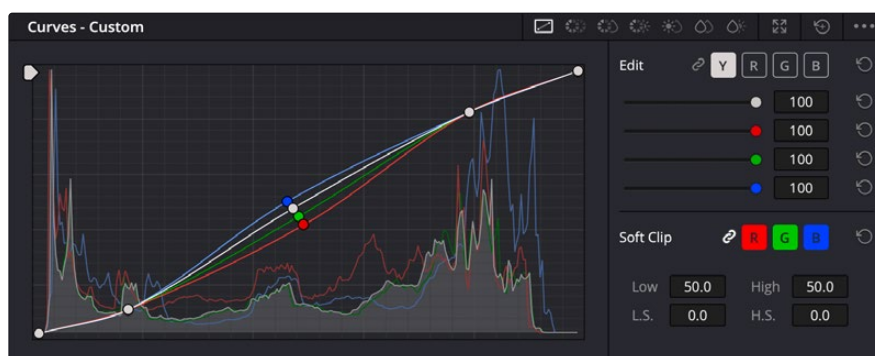
fai scorrere la rotella della ruota di colore **Gain** per regolare le luci, cioè le zone più luminose dell'immagine. Questi livelli risiedono nella parte superiore del grafico dell'allineamento RGB. Per riprese molto luminose dovrebbero trovarsi appena al di sotto della linea superiore della forma d'onda. Se la superano, si perdono dettagli nelle zone più luminose dell'immagine.

Regolare i mezzitoni

fai scorrere la rotella della ruota di colore **Gamma** per aumentare o diminuire la luminosità dell'immagine. La parte centrale della forma d'onda, che rappresenta i mezzitoni, cambia in tempo reale durante la regolazione. La posizione ottimale dei livelli dei mezzitoni ricade tra 50% e 70% sulla forma d'onda. Ad ogni modo dipende sia dal look che si vuole creare sia dalle condizioni di illuminazione in fase di ripresa.

Per fare la correzione primaria puoi anche ricorrere alle curve nella palette **Curves**. Clicca sui punti desiderati lungo la diagonale nel grafico della curva e trascinali verso l'alto o il basso per regolare il contrasto RGB complessivo in diverse aree tonali. Sulla curva ci sono tre punti ottimali di regolazione: il terzo in basso, quello centrale e il terzo in alto.

Tutte le funzioni e le tecniche di correzione primaria sono descritte nel manuale di DaVinci Resolve.



La palette delle curve è un ulteriore strumento per la correzione primaria o per valorizzare aree specifiche usando una Power Window

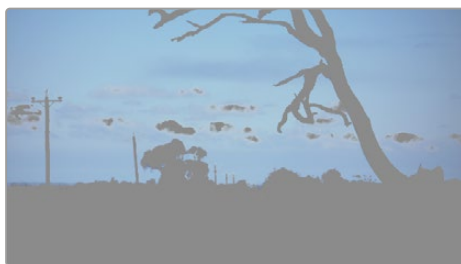
Correzione secondaria del colore

Per apportare correzioni mirate a un'area specifica dell'immagine è necessaria la cosiddetta correzione secondaria. Finora ci siamo concentrati sulla correzione primaria, ovvero la regolazione di luci, ombre e mezzitoni che agisce sull'immagine intera.

Invece per regolare un'area specifica dell'immagine, per esempio il verde del prato o il blu del cielo, bisogna ricorrere agli strumenti di correzione colore secondaria. Questi strumenti consentono di selezionare una parte dell'immagine e ritoccare solo quella. Grazie alla struttura a nodi del software è possibile apportare diverse correzioni secondarie in varie parti dell'immagine, fino a raggiungere il look desiderato. Grazie alle finestre e alla funzione di tracciamento è possibile far sì che le selezioni seguano il movimento nell'immagine.

Isolare un colore

Mettendo in risalto un colore specifico nell'immagine si attira l'attenzione del pubblico sull'elemento desiderato, per esempio sull'erba sul ciglio della strada o sul blu del cielo. Per farlo c'è lo strumento Qualifier HSL (tonalità, saturazione, luminosità).



Usa Qualifier HSL per isolare un colore nell'immagine e mettere in risalto gli elementi desiderati

Per isolare un colore:

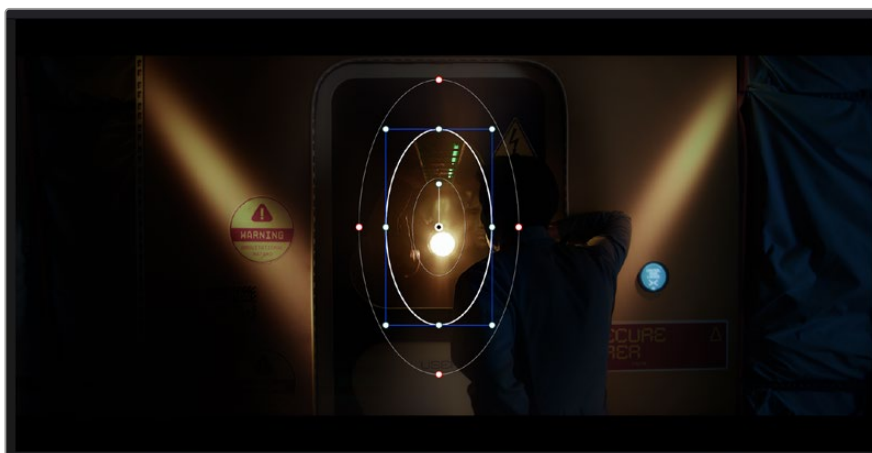
- 1 Aggiungi un nodo seriale.
- 2 Apri la palette **Qualifier** e seleziona il contagocce **Selection Range**.
- 3 Clicca sul colore dell'immagine da isolare.
- 4 Potrebbe essere necessario fare qualche modifica per addolcire i bordi della selezione e circoscrivere meglio l'area del colore di interesse. Clicca sul pulsante **Highlight** sopra al viewer per vedere la selezione.
- 5 Modifica il parametro **Width** sotto la voce **Hue** per ridurre o allargare la selezione.

Usa i controlli a disposizione **High**, **Low** e **Softness** per affinare la selezione. Ora puoi correggere il colore circoscritto usando le ruote di colore o le curve.

A volte la selezione effettuata potrebbe contaminare altre aree dell'immagine. In questo caso puoi usare una finestra Power Window per creare una maschera sull'area affetta. Basta disegnare un'altra finestra sull'area del colore desiderata. Se il colore selezionato è in movimento, ricorri alla funzione di tracking per tracciare la Power Window.

Inserire una Power Window

Le finestre Power Window sono strumenti molto efficaci nella correzione colore secondaria perché permettono di isolare aree specifiche delle clip. Queste aree si possono tracciare di modo che seguano i movimenti della camera, per esempio una panoramica o una rotazione, o il movimento dell'area stessa.



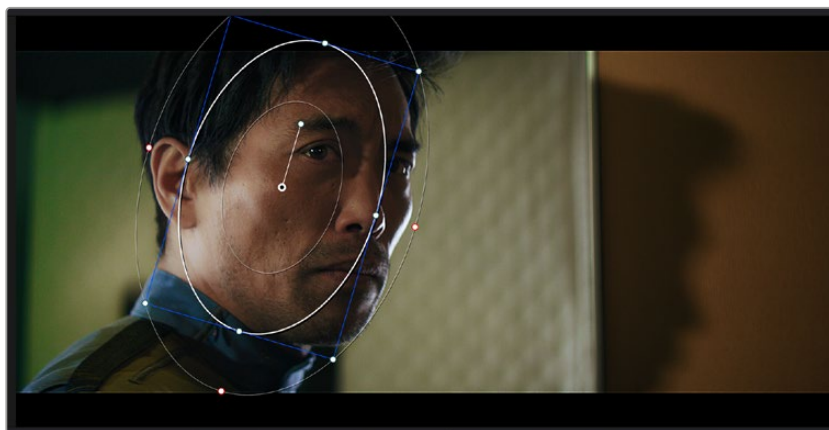
Usa una Power Window per creare una maschera sull'area da escludere dai ritocchi HSL

Per esempio puoi inserire una finestra sul viso di un'attrice per correggerne colore e contrasto, lasciando intatto il resto dell'immagine. Con questo tipo di correzioni puoi influenzare il modo in cui il pubblico percepisce l'immagine.

Per inserire una Power Window nella clip:

- 1 Aggiungi un nodo seriale.
- 2 Apri la palette **Window** e clicca sulla forma desiderata. La finestra della forma scelta apparirà sul nodo.
- 3 Clicca e trascina i punti blu per ridimensionare la forma, e i punti rossi per addolcire i bordi. Posiziona la forma cliccando e trascinando il punto centrale e ruotala usando il secondo punto ad esso connesso.

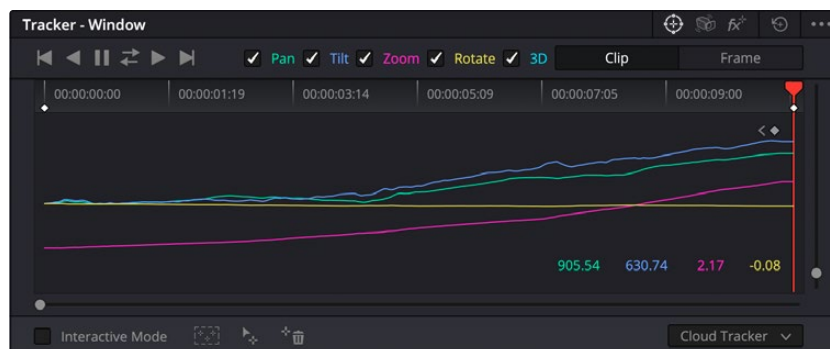
Ora puoi correggere il colore dell'area selezionata.



Usa le Power Window per fare la correzione secondaria di aree specifiche dell'immagine

Fare il tracking di una Power Window

Se la camera, un oggetto o un'area nella ripresa sono in movimento, per far sì che la finestra resti sulla selezione puoi usare la potente funzione di tracciamento di DaVinci Resolve. Il tracker analizza le panoramiche, l'inclinazione, lo zoom e la rotazione della camera o dell'oggetto nella clip, consentendo alle finestre di seguirne i movimenti. Non usando questa funzione, la correzione colore potrebbe contaminare aree indesiderate.



Usa il Tracker sulle Power Window per far sì che seguano il movimento

Per tracciare la Power Window di un oggetto in movimento:

- 1 Crea un nuovo nodo seriale e aggiungi una Power Window.

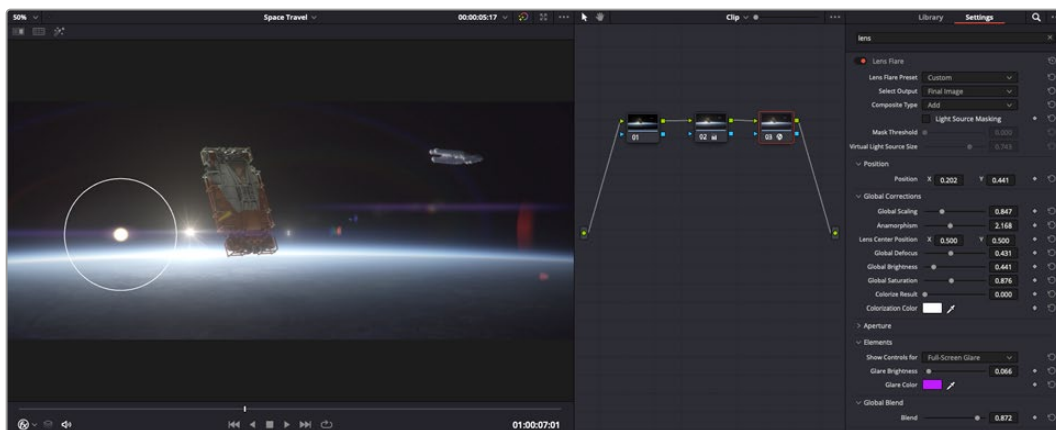
- 2 All'inizio della clip, posiziona e ridimensiona la Power Window sull'area o sull'oggetto desiderati.
- 3 Apri la palette **Tracker**. Spunta le caselle **Pan**, **Tilt**, **Zoom**, **Rotate**, o **3D** a seconda del tipo di movimento presente nella clip.
- 4 Clicca sulla freccia **Forward** a sinistra delle caselle. DaVinci Resolve inserirà una serie di punti di riferimento nella clip, passando in rassegna i fotogrammi per analizzarne il movimento. Ad analisi completata, la Power Window seguirà il percorso del movimento nella clip.

Il tracking automatico è affidabile ma potrebbe interrompersi o non funzionare bene nelle scene complesse in cui altri oggetti passano davanti all'area selezionata. In questo caso è necessario intervenire manualmente con i keyframe. Consulta il manuale di DaVinci Resolve per scoprire di più.

Usare i plug-in

Durante la correzione colore secondaria potrebbero tornare utili i plug-in Resolve FX o Open FX per creare effetti e look interessanti nella pagina Color, o per inserire transizioni ed effetti coinvolgenti nelle clip nelle pagine Cut e Edit. I plug-in Resolve FX sono in dotazione al software, mentre gli Open FX sono acquistabili e scaricabili da fornitori di terzi.

I vari set di plug-in Open FX installati e i plug-in Resolve FX sono accessibili nella pagina Color, aprendo l'Inspector degli OFX a destra dell'editor dei nodi. Dopo aver creato un nuovo nodo seriale, clicca sul pulsante **Open FX** a destra dell'editor dei nodi per vedere la collezione di plug-in e clicca-trascina quello desiderato sul nodo. Se il plug-in offre una serie di impostazioni modificabili, usa la tab **Settings** sottostante per regolarle.



I plug-in OFX sono una soluzione facile e veloce per dare vita a look creativi

Nella pagina Edit è anche possibile aggiungere plug-in di filtri, generatori e transizioni. Apri la tab **OpenFX** nella libreria **Effects Library** e trascina il plug-in desiderato sulla clip o sulla traccia sopra la clip nella timeline.

Mixare l'audio nella pagina Edit

Dopo aver completato l'editing e la correzione colore, puoi passare al mixaggio dell'audio. DaVinci Resolve offre funzioni di editing, mixaggio e mastering audio nella pagina Edit, ma per i progetti che richiedono interventi avanzati, la pagina Fairlight vanta un ambiente interamente dedicato alla post produzione audio. Se sai già come utilizzare le funzioni nella pagina Edit, salta questa sezione e consulta quella dedicata a Fairlight.

Inserire le tracce audio

Nella pagina Edit puoi inserire molteplici tracce audio per creare un semplice mix di musica ed effetti sonori. Questa operazione è utile per separare gli elementi audio in tracce distinte, per esempio voce, effetti sonori, e musica.

Per inserire una traccia audio nella pagina Edit

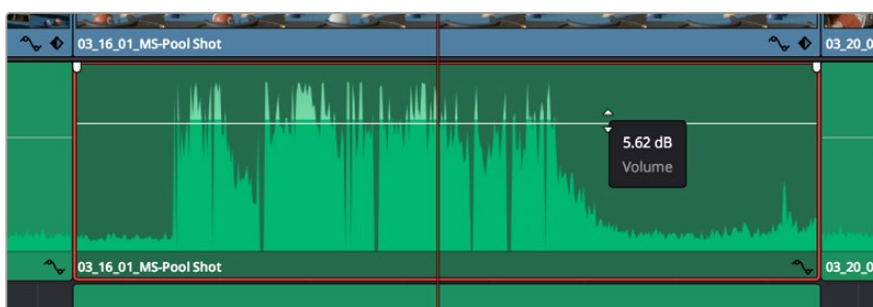
Fai clic destro a fianco al nome della traccia audio nella timeline, seleziona **Add track** e scegli un'opzione tra **Mono**, **Stereo** e **5.1**. La traccia verrà aggiunta in fondo alla lista. Altrimenti seleziona **Add tracks** e indica la posizione in cui collocare la nuova traccia o gruppo di tracce.

La nuova traccia audio comparirà nella timeline.

SUGGERIMENTO Per cambiare il tipo di traccia dopo averla creata, fai clic destro a fianco al nome della traccia, seleziona Change track type to e scegli un'altra opzione, per esempio Stereo, Mono, o 5.1.

Regolare i livelli audio nella timeline

Ogni clip audio nella timeline include un overlay che consente di regolare il volume semplicemente trascinandolo verso l'alto o il basso. Questo overlay corrisponde alla voce **Volume** dell'Inspector.

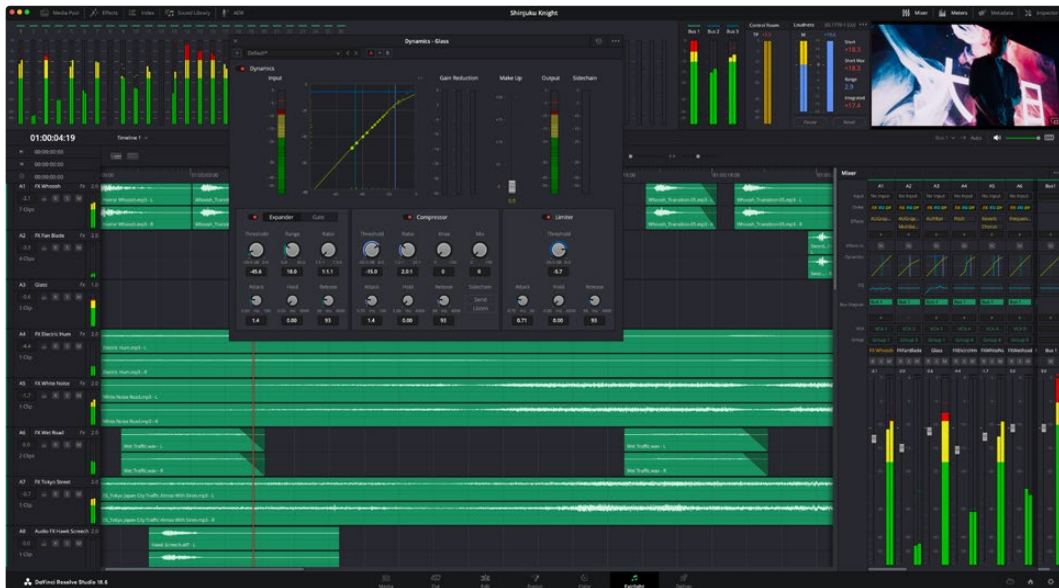


Regola il volume della clip spostando l'overlay sulla clip

Per i progetti che richiedono funzioni di mixaggio più avanzate, la pagina Fairlight offre un ambiente interamente dedicato alla post produzione audio.

La pagina Fairlight

Apri la pagina Fairlight per regolare l'audio del progetto. In modalità Single Monitor, l'interfaccia offre una visualizzazione ottimale delle tracce audio del progetto, accompagnate da un mixer esteso e controlli di monitoraggio su misura per valutare e regolare il mix. Non scoraggiarti davanti alla vasta quantità di opzioni disponibili, sono state progettate per ottenere un audio della migliore qualità possibile.



Questa sezione del manuale offre una breve panoramica sulle funzioni Fairlight. Per istruzioni dettagliate su ogni funzione consulta il manuale di DaVinci Resolve.

La timeline audio

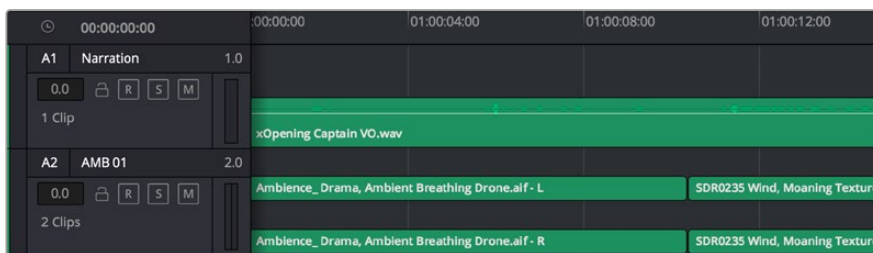
Questa timeline mostra i canali e le tracce audio della timeline selezionata come un canale singolo per ogni traccia. È una disposizione ideale per il mix del suono e lo sweetening.

Intestazione della traccia

Sulla sinistra di ogni traccia si trova una colonna di intestazione, che ne indica il nome, il numero e il colore, nonché i canali audio, il valore del fader e i livelli. Inoltre include vari comandi per bloccare e sbloccare le tracce, e le opzioni Solo e Mute. Questi controlli aiutano a gestire le tracce e mostrano l'anteprima di una traccia alla volta.

Tracce

Ogni traccia è suddivisa in corsie, che mostrano i singoli canali della clip per l'editing e il mixaggio. La pagina Edit nasconde le informazioni dei singoli canali audio, mostrando nella timeline solo una clip per semplificare l'editing delle fonti multi-canale invece di gestire un gran numero di tracce.



L'intestazione della traccia A1 mostra una corsia singola di audio mono;
l'intestazione della traccia A2 mostra due corsie di audio stereo

Che cosa è un bus?

Un bus è essenzialmente un canale di destinazione che raggruppa più tracce audio in un unico segnale. Fairlight crea automaticamente un bus a cui vengono inviate tutte le tracce audio di default. In questo modo puoi regolare i livelli del mix audio dopo aver regolato quelli di ogni singola traccia.

Nei montaggi più complessi è utile creare diversi bus per raggruppare le tracce audio della stessa categoria, per esempio dialogo, musica, o effetti, e mixarle come un unico segnale. Per esempio, se hai 5 tracce di dialogo, puoi instradarne ogni segnale a un altro bus, per poi regolare i livelli di tutti i dialoghi con un solo comando.

La struttura di Fairlight Flexbus offre totale flessibilità con le opzioni per instradare il segnale da bus a bus, e da traccia a bus e viceversa. Per maggiori informazioni sulle impostazioni dei bus audio consulta il manuale di DaVinci Resolve.

Il mixer

Ogni traccia audio nella timeline corrisponde a una striscia di canale nel mixer. La striscia per il bus principale è etichettata **Bus 1** di default. Per ogni altro bus creato appare un'altra striscia di canale sempre sulla destra, accompagnata da un set di controlli. Grazie a questi controlli grafici puoi assegnare i canali delle tracce ai canali di uscita, regolare EQ e dinamica, impostare i livelli e registrare automazioni. Inoltre consentono di posizionare l'audio stereo e surround nello spazio, silenziare, o selezionare tracce singole.



Il mixer audio, con le strisce di canale corrispondenti alle tracce nella timeline

Utilizzare l'equalizzatore per perfezionare l'audio

Dopo aver regolato i livelli audio delle clip del progetto, è necessario rifinirlo. A volte i dialoghi, la musica e gli effetti competono per la stessa frequenza sullo spettro audio, risultando in un audio poco chiaro. È qui che l'equalizzatore EQ entra in gioco perché consente di specificare quali parti dello spettro audio occupa ogni traccia. L'EQ inoltre aiuta a rimuovere elementi audio indesiderati, isolando e riducendo il livello di frequenze particolari che contengono rumore come vento, fischi, e ronzii, al fine di migliorare la qualità del suono.

DaVinci Resolve offre filtri EQ applicabili al livello della clip o della traccia. Ogni clip nella timeline dispone di equalizzatori a 4 bande nel pannello dell'Inspector, e ogni traccia di un equalizzatore parametrico a 6 bande nel pannello del mixer. Grazie ai controlli grafici e numerici puoi incrementare o attenuare diverse gamme di frequenze, e con i vari tipi di filtri definire la forma della curva EQ.



L'equalizzatore a 4 bande è applicabile a ogni clip nella timeline

Le bande esterne ti permettono di regolare i filtri per i bassi e per gli alti (detti shelving), e utilizzare filtri passa-basso e passa-alto. I filtri passa-alto o basso rimuovono completamente dal segnale le frequenze sopra o sotto una determinata frequenza. Per esempio il filtro passa-alto fa sì che le alte frequenze passino attraverso il filtro, lasciando fuori quelle basse. Qualsiasi frequenza al di fuori della soglia di frequenza impostata viene eliminata gradualmente, definendo una curva discendente.

I filtri di shelving sono meno rigidi, e molto utili per rivisitare le frequenze più alte e basse senza escluderle completamente dal segnale. Amplificano o attenuano uniformemente la frequenza soglia, e tutte quelle situate sopra o sotto di essa, in base al tipo di shelving in uso.

I controlli di banda centrali consentono di regolare dettagliatamente l'equalizzazione con filtri shelving bassi e alti (lo-shelf e hi-shelf), elimina banda (notch), e a campana (bell).

A campana

Amplificano o tagliano le frequenze intorno a un determinato punto della curva a forma di campana.

Elimina banda

Bloccano il passaggio di una gamma molto ristretta di frequenze, per esempio il ronzio dell'alimentazione a 50 o 60Hz.

Bassi

Amplificano o tagliano le frequenze basse e tutte quelle al di sotto della soglia.

Alti

Amplificano o tagliano le frequenze alte e tutte quelle al di sopra della soglia.

Per aggiungere un EQ a una sola clip:

- 1 Seleziona la clip nella timeline a cui vuoi aggiungere un filtro EQ.
- 2 Clicca sull'Inspector e abilita l'interruttore **Equalizer**.

Per equalizzare una traccia:

- 1 Fai doppio clic nella sezione **EQ** di una traccia nel mixer per aprire il pannello EQ.
- 2 Seleziona il tipo di filtro di banda dal menù a discesa della banda che vuoi regolare.



La sezione EQ del mixer indica se la traccia è stata equalizzata



L'equalizzatore parametrico a 6 bande applicabile a ogni traccia

Una volta aggiunto un EQ alla clip o alla traccia, puoi regolare l'equalizzazione di ciascuna banda. I controlli potrebbero variare in base al tipo di filtro di banda selezionato.

Come regolare l'EQ per un filtro di banda:

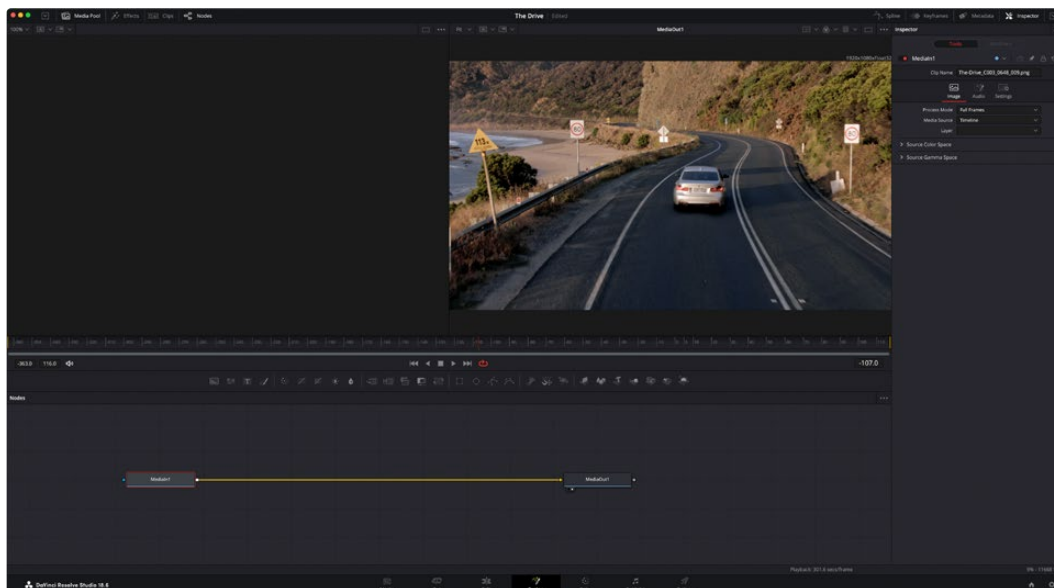
- 1 Seleziona il tipo di filtro di banda dal menù a discesa per la banda che vuoi regolare.
- 2 Regola il valore di **Frequency** per selezionare la frequenza centrale.
- 3 Regola il valore di **Gain** per amplificare o attenuare le frequenze governate da quella banda.
- 4 Usa il valore di **Q Factor** per regolare l'ampiezza delle frequenze interessate.

Usa il pulsante **Reset** per portare tutti i controlli della finestra EQ ai valori di default.

Fairlight offre numerosi controlli per migliorare la qualità di ogni traccia audio. Sfruttali per aggiungere tracce, organizzare i bus, inserire effetti come ritardo e riverbero, e perfezionare ogni il mix.

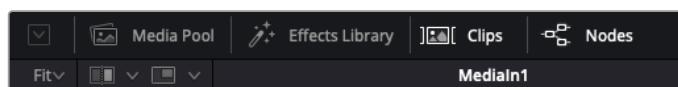
Aggiungere VFX e fare il compositing sulla pagina Fusion

Una volta completato il montaggio, puoi passare alla pagina Fusion per aggiungere effetti visivi 2D e 3D e grafica in movimento. A differenza dei software basati su livelli distinti, Fusion si avvale di una struttura a nodi che ti permette di costruire effetti complessi aggiungendo informazioni all'immagine in qualsiasi punto della struttura. La finestra dei nodi mostra tutti gli strumenti usati passo dopo passo. Se hai dimestichezza con il flusso di lavoro a nodi della pagina Color, troverai questo metodo facile da utilizzare.



La pagina Fusion

Questa pagina contiene due visualizzatori con controlli di trasporto nella parte superiore, una finestra in alto a destra per accedere alle impostazioni degli strumenti (Inspector), e una finestra nella parte inferiore per costruire la composizione (Nodes). I visualizzatori e i controlli di trasporto sono sempre visibili, invece le finestre Inspector e Nodes, così come Effects Library, Spline, e Keyframes, appaiono solo cliccando sul rispettivo pulsante.



Media Pool

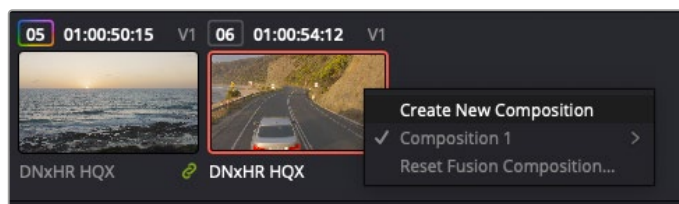
L'archivio multimediale. Funziona come quello della pagina Edit. Di qui puoi trascinare i file dai bin direttamente nella composizione.

Effects Library

La libreria degli effetti. Contiene gli strumenti di Fusion e i template organizzati in categorie, tra cui particelle, tracciamento, filtri, e generatori. Basta cliccare sullo strumento o trascinarlo nell'area dei nodi per aggiungerlo alla composizione. L'archivio multimediale e la libreria effetti si aprono sullo stesso lato dell'interfaccia per evitare di dover rimpicciolire i viewer.

Clips

Questo pulsante mostra o nasconde le thumbnail delle clip sulla timeline. Le thumbnail sono situate sotto l'editor dei nodi, permettendoti di navigare le clip facilmente.



Fai clic destro su una thumbnail e seleziona Create New Composition per creare un'altra versione della composizione

Viewers

I visualizzatori delle immagini. Sono sempre visibili e mostrano la composizione da diverse angolazioni, per esempio la prospettiva complessiva con il nodo Merge 3D, l'uscita di una camera, o il render finale. I visualizzatori servono anche per osservare l'impatto dei cambiamenti su un elemento specifico.

I nodi si possono assegnare al viewer che preferisci. Clicca su un nodo e premi il tasto **1** per visualizzarlo nel viewer di sinistra o il tasto **2** per quello di destra. Sotto il nodo appariranno delle piccole icone bianche che indicano il viewer a cui è stato assegnato. Se usi una soluzione di monitoraggio esterna, vedrai un terzo pulsante che ti permette di visualizzare il materiale multimediale sul monitor collegato.

SUGGERIMENTO Trascina direttamente il nodo nel viewer in cui preferisci vederlo.

I controlli di trasporto sotto i visualizzatori consentono di passare all'inizio o alla fine della clip, riprodurre in avanti o indietro, o interrompere la riproduzione. Il righello mostra l'intera durata della clip, e due marcatori gialli indicano i punti di attacco e stacco.



I marcatori gialli sul righello indicano i punti di attacco e stacco della clip sulla timeline. Per le clip Fusion o una di quelle composte, il righello mostra solo la durata della clip come nella timeline, ma senza marcatori

Nodes

La finestra dedicata ai nodi. In questo spazio costruisci la struttura a nodi collegando gli strumenti dall'uscita di un nodo all'ingresso di un altro. Le dimensioni dello spazio di lavoro cambiano in base a quali altre finestre sono aperte o meno, per esempio Spline o Keyframes. La barra superiore dà accesso rapido agli strumenti più utilizzati.

Spline

La finestra dedicata alle curve spline, a destra della finestra dei nodi. Qui apporti cambiamenti mirati a ciascun nodo, per esempio rendendo più armoniosa l'animazione tra due keyframe con le curve di Bezier.

Keyframes

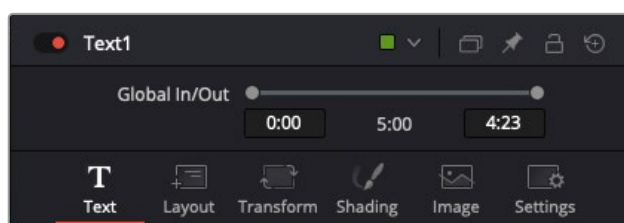
La finestra dedicata ai fotogrammi chiave, a destra della finestra dei nodi. Qui aggiungi, rimuovi o modifichi i keyframe per ogni strumento .

Metadata

Questa finestra mostra i metadati disponibili per la clip attiva, inclusi codec, frame rate e timecode.

Inspector

Questa finestra mostra i parametri e i controlli disponibili per uno o più nodi selezionati. I controlli ad accesso rapido variano in base alle categorie di nodi.

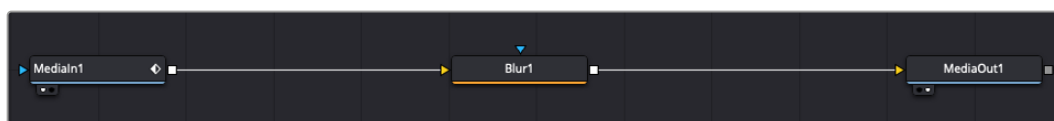


L'Inspector di testo contiene i controlli per layout, forme, ombre, e altre impostazioni

Lo spazio di lavoro Fusion

Inizia posizionando l'indicatore di riproduzione su una clip nella timeline e poi apri la pagina **Fusion**.

Qui la clip va subito ad occupare un nodo di ingresso chiamato MediaIn. Ogni composizione inizia con un nodo MediaIn e un nodo MediaOut. Il primo rappresenta la prima clip della timeline, dove hai posizionato l'indicatore di riproduzione, tralasciando eventuali clip precedenti. La clip contiene ogni modifica ad essa apportata nella pagina Edit, incluse le operazioni di Transform e Crop.



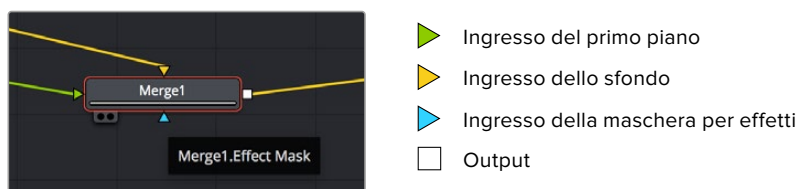
Il nodo MediaOut rimanda l'uscita alla timeline nella pagina Edit

SUGGERIMENTO I plug-in ResolveFX o OpenFX applicati alle clip nelle pagine Cut o Edit non appaiono nella pagina Fusion, perché gli effetti Fusion vengono prima della correzione colore e dell'elaborazione dei plug-in. Per applicare plug-in OpenFX prima degli effetti Fusion, fai clic destro sulla clip nella pagina Edit e seleziona New Fusion clip prima di aprire la pagina Fusion.

Come funzionano i nodi

I nodi potrebbero definirsi icone visive che rappresentano un singolo strumento o effetto. Si connettono tra loro per costruire la composizione finale, come gli ingredienti di una torta. Gli ingressi e le uscite di ciascun nodo ricoprono un ruolo fondamentale, in quanto punti di accesso ad ogni singolo elemento inserito durante la realizzazione degli effetti visivi.

Alcuni strumenti hanno più ingressi e uscite, e si possono connettere ad altri nodi. Per esempio il nodo Merge consente di accorpare l'ingresso per il primo piano, l'ingresso per lo sfondo, e l'ingresso per la maschera o le chiavi.

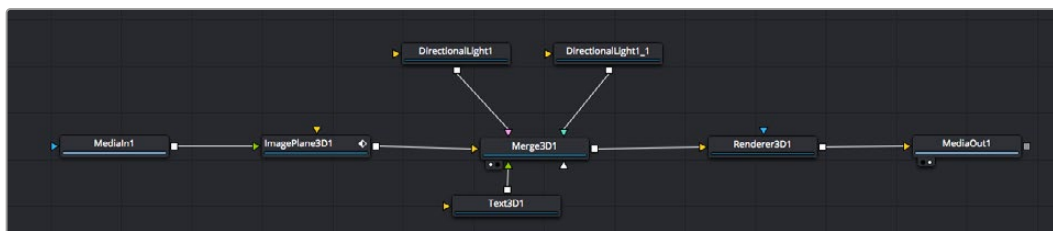


Avere più uscite su un nodo significa poter connettere molti nodi diversi nella composizione, senza la necessità di duplicare le clip come nei software basati su strati distinti. Le frecce sui nodi indicano la direzione dei dati dell'immagine.

Aggiungere nodi nella finestra Nodes

Per aggiungere effetti basta collocare i nodi sulla linea tra i nodi MediaIn e MediaOut.

Si può fare in diversi modi. Puoi tenere premuto **Shift** e rilasciare un nodo tra i due, oppure cliccare sul nodo a cui vuoi connettere un effetto e selezionare lo strumento di tua scelta. Il nuovo nodo si connetterà automaticamente allo strumento selezionato. Puoi aggiungere nodi in qualsiasi punto della struttura e connetterli manualmente trascinando l'uscita di uno sull'ingresso di un altro.



Gli strumenti più comunemente utilizzati sono i nodi Merge 2D e Merge 3D, una specie di stazione centrale in cui tutti gli strumenti convergono in una singola uscita

Il nodo Merge offre controlli per gestire gli ingressi, inclusi parametri come dimensione, posizione, e modalità Blend. Una volta selezionato il nodo, questi controlli sono accessibili dalla finestra Inspector.

La barra degli strumenti sopra alla finestra dei nodi contiene le icone degli strumenti più utilizzati. Clicca sull'icona desiderata per aggiungere un nodo, o trascinala nella finestra. Per vedere tutti gli strumenti disponibili, apri **Effects Library** e clicca sul menù **Tools**. Gli strumenti elencati sono classificati per categoria, così come i template disponibili nel menù **Templates**, per esempio Lens flares, Shaders, e Backgrounds.

SUGGERIMENTO Se conosci già i nomi degli strumenti, tieni premuto il tasto Shift e premi la barra spaziatrice sulla tastiera per accedere al menù di selezione strumento. Mentre digiti il nome dello strumento, il menù suggerisce quelli possibili. Usa questa scorciatoia per accelerare il flusso di lavoro.

Regolare i nodi nella finestra Inspector

La finestra Inspector ti permette di modificare i nodi. Clicca sul nodo che vuoi modificare e vedrai apparire i parametri e i relativi controlli.

Con Fusion è possibile modificare un nodo e allo stesso tempo vederne un altro nel visualizzatore. Per esempio puoi modificare la posizione e il centro di un nodo Text, ma vedere un nodo Merge nel visualizzatore. Così facendo potrai lavorare al testo in relazione allo sfondo.



I nodi selezionati hanno un bordo rosso. Questo esempio mostra il nodo Text e i controlli pertinenti nell'Inspector

I parametri e i controlli disponibili variano in base alla funzione del nodo, permettendo ad esempio di ricentrare e ridimensionare un elemento così come di cambiare il numero di particelle emesse. L'animazione dell'effetto verrà definita dai keyframe e dalle impostazioni scelte di volta in volta.

Utilizzare i keyframe

Nella finestra **Inspector**, imposta un keyframe facendo clic destro su un'impostazione e scegliendo **Animate** dal menù contestuale. L'icona del keyframe a destra dell'impostazione diventerà rossa. Questo significa che i keyframe sono attivi e che qualsiasi cambiamento apportato verrà applicato solo al fotogramma corrente. Se impostando i i parametri di un altro fotogramma si creano due o più keyframe, tra questi viene interpolata una transizione di movimento. Le frecce su ciascun lato dell'icona del keyframe permettono di muovere l'indicatore di riproduzione sulle posizioni esatte nella timeline.



In questo esempio il parametro della dimensione è stato addolcito con una curva di Bezier. Clicca sulle maniglie per accorciare o allungare la curva, o sui quadratini dei keyframe per riposizionarli

La finestra Spline offre ulteriori controlli per gestire le animazioni con i keyframe. Seleziona i keyframe, per esempio il primo e l'ultimo, e addolcisci l'animazione con una curva di Bezier premendo **Shift + S**, o facendo clic destro su un keyframe e selezionando **Smooth**.

Utilizzare lo strumento Tracker e aggiungere il testo

I seguenti esempi mostrano il funzionamento dello strumento Tracker quando si vuole tracciare un elemento in una clip e aggiungerci del testo usando i dati di tracciamento.

Il Tracker traccia i pixel nel tempo sugli assi X e Y, e genera una serie di dati che puoi usare per aggiungere altri elementi. Questo sistema è utilissimo se desideri far corrispondere la posizione del testo a un oggetto in movimento, per esempio a una macchina per strada o a un uccello in volo.

- 1 Nella finestra **Effects Library**, seleziona **Tools > Tracker** e trascinalo sulla linea tra i nodi MediaIn e MediaOut. Clicca sul nodo **Tracker** per vederne i parametri nella finestra Inspector.
- 2 Premi il tasto **1** per vedere il nodo Tracker nel visualizzatore di sinistra. La clip apparirà nel visualizzatore, con il tracker nella sua posizione di default. Muovi il cursore del mouse sul Tracker per vederne le maniglie. Clicca sulla maniglia nell'angolo in alto a sinistra e trascina il tracker in un'area di interesse sulla clip. Le aree ad alto contrasto funzionano bene, per esempio il logo della macchina sul portabagagli. L'area di interesse verrà ingrandita per facilitare le operazioni.
- 3 Nella finestra **Inspector**, clicca sul pulsante **Track forward** per avviare il tracciamento. A tracciamento completato apparirà un messaggio di notifica. Clicca su **OK**.

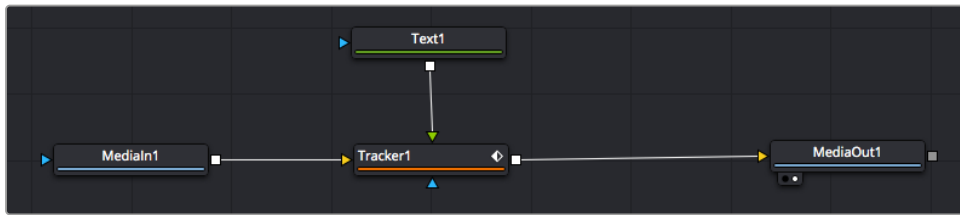


I controlli nell'Inspector permettono di invertire la direzione del tracciamento dall'ultimo fotogramma o da quello corrente, di interromperlo, o di proseguire in avanti dal fotogramma corrente o dal primo

SUGGERIMENTO Invertire il tracciamento o proseguire in avanti dal fotogramma corrente sono opzioni ideali quando l'area di interesse scompare dal fotogramma durante il rendering. Usa queste opzioni per tracciare solo le riprese pertinenti.

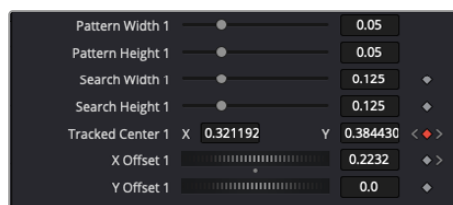
Ora puoi usare i dati di tracciamento e applicare il percorso di movimento a un nodo Text.

- 4 Clicca sull'icona del nodo **Text** nella barra dei nodi più utilizzati e trascinala vicino al nodo **Tracker**. Connetti l'uscita del nodo **Text** (il quadratino bianco) all'ingresso del nodo **Tracker** (il triangolo verde).



- 5 Clicca sul nodo **Tracker** e premi il tasto **1** per vedere l'immagine nel visualizzatore di sinistra. Nella finestra **Inspector**, clicca sull'icona **Operation**. Clicca sul menù a fianco all'icona e seleziona **Match move**.
- 6 Clicca sul nodo **Text** per vederne i parametri nella finestra Inspector. Digita il testo nella casella di testo e cambia il font, il colore, e le dimensioni come preferisci.

Così facendo i dati di posizione di tracciamento verranno applicati dal tracker al testo. Per riposizionare il testo in relazione al tracker, vai alle impostazioni nella finestra **Inspector** e modifica i parametri **X Offset** e **Y Offset** con le rotelle.



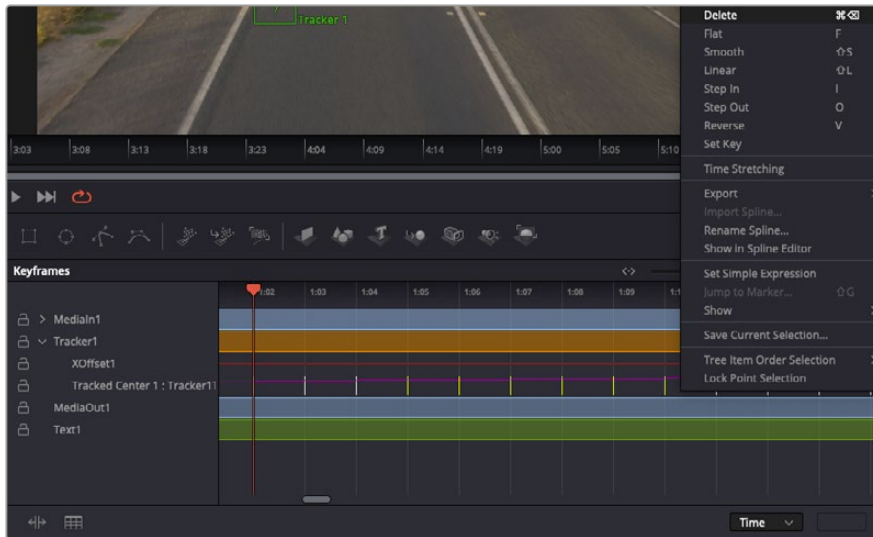
Le rotelle nella finestra Inspector regolano la posizione del testo sugli assi X e Y per il nodo Tracker

Ora riproduci la composizione e vedrai il testo collegato all'oggetto che hai tracciato.



Il quadratino verde rappresenta la posizione corrente del tracker, la linea verde il percorso; la linea rossa tratteggiata indica il riposizionamento del testo in relazione al tracker

Per alcune riprese potrebbe essere necessario rimuovere i punti di tracciamento dopo averli rilevati, per es. se l'oggetto tracciato scompare dallo schermo. Per farlo basta andare nella finestra Keyframes.



- 7 Apri la finestra **Keyframes**. Tutti i nodi con keyframe hanno una piccola freccia accanto all'etichetta. Nell'elenco sottostante compaiono solo i parametri con keyframe aggiunti. Clicca sull'icona della lente di ingrandimento e disegna un quadrato nell'area che vuoi modificare. L'area interessata verrà ingrandita per vedere meglio i keyframe.
- 8 Sposta l'indicatore di riproduzione sulla posizione di quello che vuoi sia l'ultimo keyframe. Seleziona i keyframe che vuoi rimuovere disegnandovi intorno un quadrato con il mouse. I keyframe selezionati diventeranno gialli. Fai clic destro e seleziona **Delete** dal menù.

SUGGERIMENTO Se gli effetti usati sono particolarmente complessi e richiedono un'elaborazione intensiva, fai clic destro nell'area dei controlli di trasporto per vedere e selezionare l'opzione di visualizzazione più adeguata al tuo sistema, tra cui riproduzione proxy. Per tutti i dettagli sulle opzioni di riproduzione, consulta il manuale di DaVinci Resolve.

Hai completato la tua prima composizione, in cui il testo animato segue un movimento all'interno delle riprese.

Se vuoi tracciare un'area dell'immagine contenente una superficie piatta che vuoi valorizzare o sostituire, usa il Planar Tracker. Tracciare piani 2D può essere utile per sostituire etichette e segnali in un'immagine in movimento, o persino per aggiungere un'immagine su un monitor o una TV nella scena.

Per tutti i dettagli sul Planar Tracker e sul resto degli strumenti Fusion, consulta il manuale di DaVinci Resolve.

SUGGERIMENTO Lo strumento Merge cambia a seconda che si tratti di un effetto in 2D o 3D. Se combini effetti 2D e 3D nella composizione che stai creando, ricorda che qualsiasi effetto visivo fatto nello spazio 3D va renderizzato come immagine 2D prima di poterlo accorpare a una composizione 2D.

Non ti resta che esplorare e sperimentare le innumerevoli funzioni di Fusion per esprimere la tua creatività. Con un set di strumenti così avanzati a portata di mano, DaVinci Resolve non ha più limiti.

Fare il mastering della sequenza montata

Dopo aver svolto montaggio e correzione colore, aggiunto gli effetti visivi e mixato l'audio, puoi passare alla pagina di consegna Deliver. Usa il pulsante di esportazione veloce **Quick Export** per esportare la timeline come file unico, scegliendo tra numerosi formati, oppure sfrutta le altre impostazioni disponibili.



Esporta il progetto dalla pagina Deliver, scegliendo tra numerosi formati video e codec

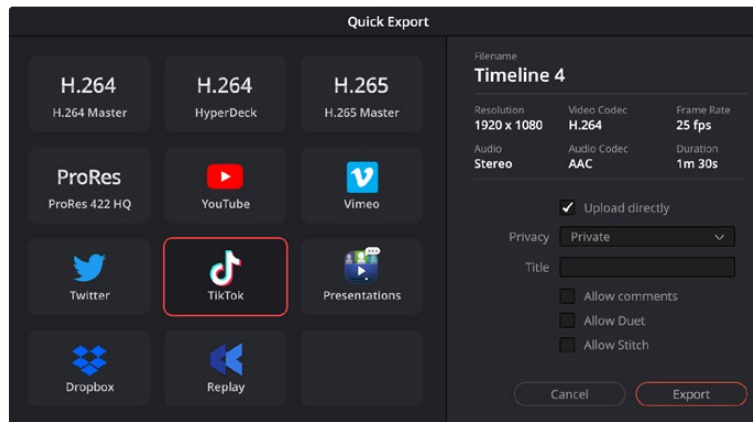
Esportazione veloce

Seleziona **File > Quick Export** per accedere alle diverse opzioni predefinite di esportazione, da qualsiasi pagina di DaVinci Resolve. Le opzioni includono le popolari piattaforme di condivisione video, tra cui YouTube, Vimeo, Twitter e Frame.io.

Come utilizzare Quick Export:

- 1 Nella pagina Cut, Edit, Fusion, o Color, imposta i punti di attacco e stacco per selezionare la sezione della timeline che intendi esportare. Se non imposti i punti di attacco e stacco verrà esportata l'intera timeline.
Clicca su **File > Quick Export**.
- 2 Seleziona un predefinito dalla lista di icone della finestra di dialogo di Quick Export. Per caricarlo contemporaneamente sull'account online, clicca **Sign in** poi spunta la casella **Upload directly** e completa i dati richiesti. Conferma con **Export**.
- 3 Scegli dove salvare il progetto, assegna un nome e conferma con **Save**. Una barra di avanzamento indicherà la durata dell'esportazione.

NOTA Per pubblicare direttamente sugli account online come TikTok, puoi accedere all'account dalle impostazioni di rete di DaVinci dalla tab *System* di *Preferences*.



Per pubblicare direttamente su TikTok mentre esporti il progetto, seleziona Upload directly e completa i dati sottostanti directly' setting and filling in the details

La pagina Deliver

Questa pagina consente di selezionare le clip che vuoi esportare, oltre al tipo di formato, codec, e risoluzione desiderati. Scegli tra numerosi tipi di formato, inclusi QuickTime, AVI, MXF e DPX, e codec tra cui RGB/YUV non compressi a 8 bit o 10 bit, ProRes, DNxHD, e H.264.

Come esportare una sola clip:

- 1 Accedi alla pagina **Deliver**.
- 2 Clicca sul menù **Render Settings** in alto a sinistra. Scegli tra numerosi predefiniti di esportazione (per esempio YouTube, Vimeo) e audio, oppure imposta parametri personalizzati manualmente selezionando **Custom**. Per questo esempio, seleziona **YouTube** e il formato **1080p**.
Il frame rate sarà lo stesso del tuo progetto.
- 3 Sotto i predefiniti di consegna trovi il nome del file della timeline e la destinazione del video esportato. Clicca su **Browse** e scegli dove salvare il file esportato. Poi seleziona **Single clip** dall'opzione di render.
- 4 Appena sopra la timeline, vedrai l'opzione **Entire timeline** per esportare l'intera timeline. Se preferisci selezionare solo alcune sezioni della timeline, scegli **In/out range** e usa i tasti di scelta rapida **I** e **O** per confermare i punti di attacco e stacco nella timeline.
- 5 In basso nel menù **Render Settings** clicca su **Add to Render Queue**.

Le impostazioni del rendering si aggiungono alla coda delle operazioni di rendering sulla destra della pagina. Ora basta cliccare sul tasto **Start Render** e monitorarne il progresso.

Una volta completato il rendering, apri la cartella in cui hai salvato il lavoro, fai doppio clic sulla clip e guarda la sequenza completa.

Esplora e sperimenta le innumerevoli funzioni offerte da DaVinci Resolve per perfezionare le tue competenze nell'ambito del montaggio, della correzione colore, del mixaggio audio e degli effetti visivi. Consulta il manuale di DaVinci Resolve per approfondire il funzionamento di ciascuna funzione.

I plug-in ResolveFX Revival su DaVinci Resolve Studio di seguito elencati sono utili per restaurare le immagini digitalizzate con Cintel Scanner. Servono a ridurre il rumore, riparare graffi e aloni e a rimuovere altri danni visibili e artefatti dai filmati.

Rimozione automatica dello sporco

Il plug-in di rimozione automatica dello sporco **Automatic Dirt Removal** si avvale della tecnologia di flusso ottico per rimuovere e riparare nel tempo sporco, polvere, capelli, punti di giuntura e altri artefatti che appaiono in uno o due fotogrammi e poi scompaiono. Questa tecnica di rimozione e riparazione mantiene intatti i dettagli nel fotogramma corrente, risultando in un restauro di alta qualità. Nonostante sia sofisticato, questo plug-in è relativamente facile da usare. Basta trascinarlo su una clip e regolare i parametri per ottenere il miglior risultato possibile.



Immagine originale (a sinistra) e con Automatic Dirt Removal (a destra)

NOTA Questo plug-in è meno efficace sui graffi verticali che rimangono nella stessa posizione per più di un fotogramma, e non funziona contro lo sporco sulla lente lungo l'intera ripresa.

Controlli principali

Usali per a definire quanto sporco rimuovere dall'immagine.

Mo.Est.Type

Offre le opzioni None, Faster, Normal, e Better, per trovare un compromesso tra performance e qualità.

Neighbor Frames

Seleziona quanti fotogrammi confrontare durante il rilevamento dello sporco. Con un numero alto di fotogrammi si allungano i tempi di rilevamento, ma in genere è più facile trovare altri punti di sporco e artefatti.

Repair Strength

Seleziona il grado di impatto della riparazione di sporco e artefatti. I valori più bassi potrebbero tralasciare piccole tracce (che si tratti di sporco o meno), mentre i valori più alti eliminano ogni traccia rilevata.

Dirt Size Threshold

Seleziona le dimensioni dello sporco rilevato da rimuovere. Dimensioni maggiori risparmiano la grana della pellicola ma rischiano di far passare particelle di sporco.

Show Repair Mask

Isola lo sporco e gli artefatti individuati per osservare l'efficacia del plug-in mentre regoli le impostazioni.

Fine Controls

Usali per calibrazioni affinate alla ricerca del miglior equilibrio tra lo sporco rimosso e la salvaguardia dei dettagli originali della pellicola.

Motion Threshold

Imposta la soglia alla quale i pixel in movimento vengono considerati sporco e artefatti. Con i valori più bassi è probabile che vengano tralasciate tracce di sporco ma è improbabile che compaiano artefatti da movimento. Con i valori più alti si elimina una maggiore quantità di sporco ma è più probabile che compaiano artefatti da movimento nelle riprese in cui la camera o un soggetto si muovono.

Edge Ignore

Esclude dalla riparazione di sporco e artefatti gli spigoli e i bordi degli oggetti, erroneamente considerati tali. Con i valori più alti si esclude un maggior numero di oggetti.

Correzione dei pixel difettosi

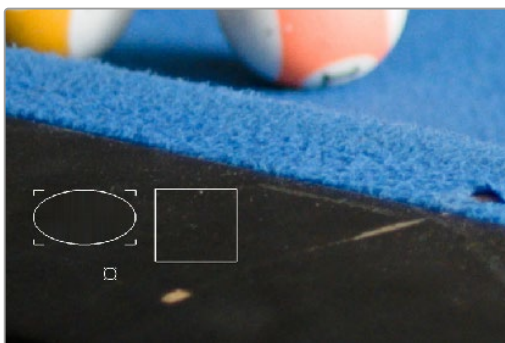
Se ci sono clip importate o provenienti dallo scanner che presentano pixel bloccati su un particolare colore o luminosità, DaVinci Resolve ha un filtro che può aiutarti ad aggiustarli. Usa Dead Pixel Fixer per circoscrivere i cosiddetti *hot pixel* per poi correggerli usando il metodo più adatto.

Questo filtro è simile a Dust Buster, ma mentre questo è ideale per rimuovere parti di polvere e sporco visibili solo in qualche fotogramma, Dead Pixel Fixer serve a correggere le imperfezioni fisse visibili per tutta la durata della clip.

Per correggere i pixel difettosi:

- 1 Applica il filtro Dead Pixel Fixer e abilita i controlli OFX in sovrapposizione sul viewer.
- 2 Nelle impostazioni del filtro, seleziona **Place patch** e clicca su ognuno dei pixel che vuoi correggere. Puoi cliccare su qualsiasi parte dell'immagine e tutte le volte che vuoi.

Per spostare il perimetro di selezione basta trascinarlo, oppure per eliminarlo fai option-clic.



Vari tipi di perimetri selezione per la correzione dei pixel

Clicca sul perimetro desiderato per selezionarlo e regolarlo usando i controlli disponibili.

General

Questi controlli nella parte superiore consentono di scegliere come circoscrivere le imperfezioni, e se e come mostrarne i controlli in sovrapposizione.

Patch Style

I perimetri si possono disegnare in tre forme diverse per gestire vari tipi di imperfezione.

Draw Rect

Clicca e trascina da un angolo a quello opposto per disegnare un rettangolo di qualsiasi dimensione. Per riposizionarlo, clicca e trascina uno degli spigoli dell'overlay.

Draw Ellipse

Clicca e trascina da un angolo a quello opposto per disegnare un ovale di qualsiasi dimensione. Per riposizionarlo, clicca e trascina uno degli spigoli dell'overlay.

Place Patch

Disegna piccoli perimetri per i dettagli minuscoli come i pixel difettosi. Se scegli questa opzione, usa lo slider che apparirà per regolare le dimensioni del perimetro prima di collocarlo. Per riposizionarlo, clicca e trascina uno degli spigoli.

New Patch Size when Place Patch is Selected

Scegli la larghezza di un perimetro da inserire con lo strumento Place Patch.

Show Patches

Spunta o deseleziona questa casella per mostrare o nascondere i contorni di ciascun perimetro nel viewer.

Hide During Interaction

Nascondi i contorni di ciascun perimetro nel viewer mentre li sposti in modo tale da vedere più chiaramente che effetto produce l'operazione sull'immagine senza la distrazione della forma del perimetro.

Patch Type

Per correggere gli elementi circoscritti ci sono tre metodi. Se disegni un nuovo perimetro, il tipo selezionato sarà lo stesso anche per quelli che disegnerai successivamente. Se selezioni un perimetro esistente e ne cambi il tipo, cambierà anche il modo in cui funziona.

Spatial

Riempie automaticamente lo spazio all'interno del perimetro selezionato con i pixel estratti dalle aree circostanti. Ideale sulle piccole imperfezioni, se usato su quelle più ampie può causare la comparsa di motivi indesiderati che rovinano l'effetto.

Clone

Copia parte dell'immagine per riempire la forma o il perimetro disegnati sull'elemento da rimuovere. Dopo aver cliccato e trascinato per disegnare un rettangolo o un ovale su un'imperfezione, clicca di nuovo per collocare l'area campionata da clonare. Dopo aver cliccato per collocare il perimetro, clicca di nuovo per collocare l'area campionata. Se selezioni una forma o un perimetro esistenti e scegli il comando Clone, clicca sulla forma per posizionare l'area clonata. L'area campionata è indicata da una forma tratteggiata connessa alla forma originale.

Blend Clone

È simile al comando Clone, ma la parte copiata dell'immagine che riempie il rettangolo, l'ovale o il perimetro si fonde all'immagine per un effetto più dolce.

Fill Method

Se utilizzi Spatial Patch Type, il metodo di riempimento determina il modo in cui si corregge l'imperfezione.

Grid

Campiona i pixel circostanti il rettangolo, l'ovale o il perimetro, fondendoli verso l'interno in orizzontale e in verticale. Ideale sulle piccole imperfezioni, se usato su quelle più ampie potrebbe generare un indesiderato effetto griglia.

Horizontal

Campiona i pixel alla sinistra e alla destra del rettangolo, dell'ovale o del perimetro, fondendoli verso l'interno.

Vertical

Campiona i pixel sopra e sotto al rettangolo, all'ovale o al perimetro, fondendoli verso l'interno.

Patchy

Campiona i pixel intorno al rettangolo, all'ovale o al perimetro, espandendoli e fondendoli tra loro per creare un'area delicata e non uniforme con cui correggere l'imperfezione. Non adotta il metodo di riempimento a griglia, ma produce ottimi risultati.

Smooth

Corregge le imperfezioni con una sfocatura gaussiana.

Patch Options

Queste opzioni consentono di personalizzare l'effetto del riempimento nei perimetri sulle imperfezioni.

Mute

Attiva e disattiva il perimetro mediante i keyframe. È ideale per le imperfezioni visibili su pochi pixel in una ripresa.

Variability for Spatial Patches

Alzando il valore di questa variabile rende il metodo di riempimento meno uniforme.

Soft Edges

Addolcisce i contorni del perimetro.

Size Adjust

Cambia le dimensioni del perimetro dopo averlo disegnato.

Advanced Controls

Questi controlli consentono di personalizzare la risposta dell'interfaccia per questo effetto.

Clone Sticks to Mouse

Se abilitato, dopo aver disegnato o collocato un rettangolo, un ovale o un perimetro in modalità Clone o Blend Clone potrai posizionare l'area campionata all'istante.

New Patches Stay Selected

Se abilitato, i perimetri rimangono selezionati dopo averli disegnati, consentendone la regolazione.

UI Line Thickness

Scegli lo spessore dei contorni visibili sullo schermo.

Patches Stick to

Corregge i pixel difettosi o le imperfezioni nelle clip stabilizzate.

Source

I perimetri collocati rimangono fermi a meno che non si decida di usare la funzione di stabilizzazione del movimento. In questo caso i perimetri si trasformano insieme all'immagine e rimangono "attaccati" al punto che correggono nella clip sorgente.

Scene

Per correggere un'imperfezione su un elemento in movimento, usa il tracker FX per tracciarla e consentire al perimetro di spostarsi di pari passo.

Output Mode

Scegli come visualizzare l'effetto della correzione tra quattro opzioni.

Patched Result

Visualizza il risultato finale dei perimetri di correzione sulle rispettive imperfezioni.

Patch Locations

Visualizza una chiave in cui i perimetri sono bianchi su uno sfondo nero.

Differences

Visualizza la differenza dei perimetri rispetto all'immagine originale.

Difference Magnitude

Visualizza la differenza in modo più marcato.

Deflicker

Il plug-in anti-sfarfallio corregge lo sfarfallio legato all'esposizione nelle clip con timelapse, alla luce fluorescente, e al materiale d'archivio, e in alcuni casi anche il problema delle bande sul video girato con camere impostate su velocità dell'otturatore diverse. Ha due caratteristiche principali: agisce solo sulle variazioni di luminosità rapide e temporalmente instabili, e solo sulle regioni dell'immagine in cui si riscontra lo sfarfallio, lasciando intatte le altre. Dunque questo plug-in è spesso in grado di riparare problemi un tempo considerati irrisolvibili.

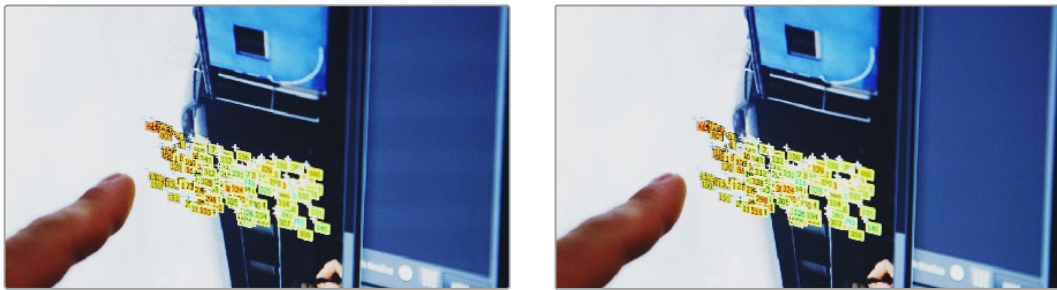


Immagine originale (a sinistra) e con lo strumento Deflicker impostato su Fluoro Light (a destra)

Controlli principali

Di default la sezione superiore di questo plug-in mostra un solo controllo, che in molti casi è tutto quel che serve.

Deflicker Settings

Le prime due opzioni **Timelapse** e **Fluoro Light** sono predefiniti che eliminano in modo efficace due tipi di artefatti dovuti allo sfarfallio. Se nessuno dei due produce il risultato desiderato, la terza opzione **Advanced Controls** dà accesso ai controlli **Temporal NR** per ritoccare ulteriormente il plug-in.

Temporal NR

Nascosti di default, questi controlli sono disponibili alla voce Deflicker Setting su Advanced Controls. Servono per scegliere come rilevare il movimento nell'immagine di modo che il filtro agisca sullo sfarfallio unicamente in relazione al movimento degli oggetti e degli elementi su cui compare.

Frames Either Side

Specifica il numero di fotogrammi da analizzare per determinare la presenza di movimento. I valori alti non sono sempre la soluzione migliore. Scegli il valore più adatto in base alla scena. Il valore di default è 3.

Mo.Est. Type

Seleziona il metodo di analisi del movimento nell'immagine. L'opzione più adatta dipende in gran parte dal tipo di scena. L'opzione **Faster** non sovraccarica il processore ed è meno accurata, ma potrebbe produrre ottimi risultati nel caso di immagini ricche di dettagli, troppo complesse per l'opzione **Better**. Quest'ultima è molto accurata ma oltre a sovraccaricare il processore, potrebbe causare ulteriori problemi nel tentativo di analizzare dettagli minuziosi. L'opzione **None** disabilita del tutto l'analisi del movimento, utile (e nettamente più veloce) se la scena non presenta movimento. L'opzione di default è **Better**.

Motion Range

Le opzioni Small, Medium e Large determinano la velocità del movimento da rilevare nel fotogramma.

Luma threshold

Determina la soglia sopra la quale i cambiamenti di luminanza non verranno considerati sfarfallio. L'intervallo va da 0 a 100. Su 0, il filtro non viene applicato; su 100, viene applicato a tutto. Il valore di default è 100.

Chroma Threshold

Determina la soglia sopra la quale i cambiamenti di cromaticità non verranno considerati sfarfallio. L'intervallo va da 0 a 100. Su 0, il filtro non viene applicato; su 100, viene applicato a tutto. Il valore di default è 100.

Gang Luma Chroma

Scegli se unire o mantenere separati gli slider Luma Threshold e Chroma Threshold.

Motion Threshold

Determina la soglia sopra la quale il movimento non verrà considerato sfarfallio.

Speed Optimization

Nascosto di default, questo percorso dà accesso a due controlli:

Reduced-Detail Motion

Selezionata di default, questa impostazione riduce la quantità di dettagli analizzati per rilevare lo sfarfallio. Spesso non produce differenze visibili, ma aumenta la velocità di elaborazione. Deseleziona questa casella se la clip contiene dettagli minuziosi che rischiano di essere alterati vistosamente.

Limit Analysis Area

Spunta questa casella per abilitare i controlli sopra al riquadro di campionamento, utili per limitare la correzione dello sfarfallio a una regione specifica dell'immagine. Questa opzione è ideale quando lo sfarfallio è presente solo su una parte dell'immagine, velocizzando quindi l'operazione, o se il filtro agisce in modo efficace su una parte dell'immagine ma ne compromette un'altra.

Restore Original Detail After Deflicker

Nascosto di default, questo percorso dà accesso a due controlli:

Detail to Restore

Isola velocemente la grana, i dettagli minuziosi e i contorni netti per escluderli dall'operazione di correzione dello sfarfallio.

Detail to Restore

Isola velocemente la grana, i dettagli minuziosi e i contorni netti per escluderli dall'operazione di correzione dello sfarfallio.

Output

Questo menù permette di scegliere come visualizzare il risultato delle operazioni di correzione dello sfarfallio, aiutandoti a risolvere eventuali problemi all'interno della clip. Le opzioni disponibili sono:

Deflickered Result

Mostra il risultato finale post-correzione. Questa è l'impostazione di default.

Detected Flicker

Mostra una maschera che mette in evidenza le parti dell'immagine in cui è stato rilevato lo sfarfallio, aiutandoti a valutare se il filtro stia effettivamente agendo sulle aree che lo richiedono. La maschera è molto discreta.

Magnified Flicker

Mostra una versione esagerata della maschera Detected Flicker, per valutare più facilmente l'effetto del filtro.

Dust Buster

Questo plug-in serve a rimuovere polvere, sporco, e altre imperfezioni e artefatti presenti nelle clip. Tuttavia va usato solo sulle clip in cui il plug-in Automatic Dirt Removal non ha prodotto risultati soddisfacenti. Per utilizzarlo, sfoglia le clip fotogramma per fotogramma e traccia un riquadro intorno alle imperfezioni che vuoi eliminare. Così facendo l'imperfezione viene eliminata automaticamente nella maniera meno invasiva possibile. Questo plug-in funziona bene sullo sporco e sulla polvere, ma anche sulle macchie e sulle chiazze molto grandi, come nell'esempio qui sotto.



Immagine originale con un riquadro tracciato intorno alle imperfezioni (a sinistra), con Dust Buster (a destra)

Dust Buster è simile a Dead Pixel Fixer, ma mentre Dust Buster è pensato per rimuovere parti di polvere e sporco visibili solo in qualche fotogramma, Dead Pixel Fixer è ideale per correggere le imperfezioni fisse visibili per tutta la durata della clip.

General

I controlli nella parte superiore consentono di scegliere come circoscrivere le imperfezioni per correggere parti di polvere e sporco instabili, e se e come mostrare i controlli a schermo.

Navigation Controls

Per saltare sui fotogrammi in cui hai disegnato perimetri di correzione ci sono quattro opzioni.

First Modified Frame

Porta la playhead sull'ultimo fotogramma contenente un perimetro di correzione.

Previous Modified Frame

Porta la playhead sul fotogramma precedente della clip contenente un perimetro di correzione.

Next Modified Frame

Porta la playhead sul fotogramma successivo alla clip contenente un perimetro di correzione.

Last Modified Frame

Porta la playhead sull'ultimo fotogramma contenente un perimetro di correzione.

Patch Style

I perimetri si possono disegnare in tre forme diverse per gestire vari tipi di imperfezione.

Draw Rect

Clicca e trascina da un angolo a quello opposto per disegnare un rettangolo di qualsiasi dimensione. Per riposizionarlo, clicca e trascina uno degli spigoli dell'overlay.

Draw Ellipse

Clicca e trascina da un angolo a quello opposto per disegnare un ovale di qualsiasi dimensione. Per riposizionarlo, clicca e trascina uno degli spigoli dell'overlay.

Place Patch

Disegna piccoli perimetri per i dettagli minuscoli come i pixel difettosi. Se scegli questa opzione, usa lo slider che apparirà per regolare le dimensioni del perimetro prima di collocarlo. Per riposizionarlo, clicca e trascina uno degli spigoli.

Size when Place Patch is Selected

Scegli la larghezza di un perimetro da inserire con lo strumento Place Patch.

Show Patches

Spunta o deseleziona questa casella per mostrare o nascondere i contorni di ciascun perimetro nel viewer.

Hide During Interaction

Nascondi i contorni di ciascun perimetro nel viewer mentre li sposti in modo tale da vedere più chiaramente che effetto produce l'operazione sull'immagine senza la distrazione della forma del perimetro.

Patch Type

Per correggere gli elementi circoscritti ci sono sei metodi. Se disegni un nuovo perimetro, il tipo selezionato sarà lo stesso anche per quelli che disegnerai successivamente. Se selezioni un perimetro esistente e ne cambi il tipo, cambierà anche il modo in cui funziona.

Auto

Il metodo di default. Dopo aver tracciato un perimetro, i due fotogrammi precedenti e i due successivi vengono analizzati e messi a confronto col fotogramma corrente. La rimozione dell'imperfezione si baserà sul migliore di questi cinque fotogrammi. Per evitare la comparsa di grana ripetuta, le immagini a distanza di due fotogrammi hanno la precedenza, ma solo se ritenute idonee.

+/- 1 Frame

Se tracci un perimetro da sinistra a destra, per rimuovere l'imperfezione verrà utilizzato il fotogramma successivo. Se lo tracci da destra a sinistra, verrà utilizzato il fotogramma precedente.

+/- 2 Frames

Se tracci un perimetro da sinistra a destra, per rimuovere l'imperfezione verrà utilizzato il secondo fotogramma successivo. Se lo tracci da destra a sinistra, verrà utilizzato il secondo fotogramma precedente.

Spatial

Riempie automaticamente lo spazio all'interno del perimetro selezionato con i pixel estratti dalle aree circostanti. Ideale sulle piccole imperfezioni, se usato su quelle più ampie può causare la comparsa di motivi indesiderati che rovinano l'effetto.

Clone

Copia parte dell'immagine per riempire la forma o il perimetro disegnati sull'elemento da rimuovere. Dopo aver cliccato e trascinato per disegnare un rettangolo o un ovale su un'imperfezione, clicca di nuovo per collocare l'area campionata da clonare. Dopo aver cliccato per collocare il perimetro, clicca di nuovo per collocare l'area campionata. Se selezioni una forma o un perimetro esistenti e scegli il comando Clone, clicca sulla forma per posizionare l'area clonata. L'area campionata è indicata da una forma tratteggiata connessa alla forma originale.

Blend Clone

È simile al comando Clone, ma la parte copiata dell'immagine che riempie il rettangolo, l'ovale o il perimetro si fonde all'immagine per un effetto più dolce.

Fill Method

Se utilizzi Spatial Patch Type, il metodo di riempimento determina il modo in cui si corregge l'imperfezione.

Grid

Campiona i pixel circostanti il rettangolo, l'ovale o il perimetro, fondendoli verso l'interno in orizzontale e in verticale. Ideale sulle piccole imperfezioni, se usato su quelle più ampie potrebbe generare un indesiderato effetto griglia.

Horizontal

Campiona i pixel alla sinistra e alla destra del rettangolo, dell'ovale o del perimetro, fondendoli verso l'interno.

Vertical

Campiona i pixel sopra e sotto al rettangolo, all'ovale o al perimetro, fondendoli verso l'interno.

Patchy

Campiona i pixel intorno al rettangolo, all'ovale o al perimetro, espandendoli e fondendoli tra loro per creare un'area delicata e non uniforme con cui correggere l'imperfezione. Non adotta il metodo di riempimento a griglia, ma produce ottimi risultati.

Smooth

Corregge le imperfezioni con una sfocatura gaussiana.

Patch Options

Queste opzioni consentono di personalizzare l'effetto del riempimento nei perimetri sulle imperfezioni.

Mute

Attiva e disattiva il perimetro mediante keyframe. È ideale per le imperfezioni visibili su pochi pixel in una ripresa.

Variability

Aumenta questo parametro per rendere il metodo di riempimento meno uniforme (disponibile solo per la modalità Spatial).

Soft Edges

Addolcisce i contorni del perimetro.

Size Adjust

Cambia le dimensioni del perimetro dopo averlo disegnato.

Advanced Controls

Questi controlli consentono di personalizzare la risposta dell'interfaccia con questo effetto.

Clone Sticks to Mouse

Se abilitato, dopo aver disegnato o collocato un rettangolo, un ovale o un perimetro in modalità Clone o Blend Clone potrai posizionare l'area campionata all'istante.

New Patches Stay Selected

Se abilitato, i perimetri rimangono selezionati dopo averli disegnati, consentendone la regolazione.

UI Line Thickness

Scegli lo spessore dei contorni visibili sullo schermo.

Output Mode

Scegli come visualizzare l'effetto della correzione tra quattro opzioni.

Patched Result

Visualizza il risultato finale dei perimetri di correzione sulle rispettive imperfezioni.

Patch Locations

Visualizza una chiave in cui i perimetri sono bianchi su uno sfondo nero.

Differences

Visualizza la differenza dei perimetri rispetto all'immagine originale.

Difference Magnitude

Visualizza la differenza in modo più marcato.

Riduzione del rumore

Sulla pagina Color, Resolve FX sono disponibili due tipi di controlli per la riduzione del rumore con accelerazione GPU per le clip che presentano il problema. Entrambi i metodi possono essere applicati insieme o separatamente a seconda di quanto richiesto dai filmati.

Controlli di riduzione del rumore temporale

I controlli **Temporal NR** analizzano le immagini in una serie di fotogrammi per isolare il rumore. I parametri di esclusione di movimento consentono di escludere soggetti in movimento da questa operazione per prevenire imperfezioni indesiderate.

Frames Either Side

Il numero di fotogrammi prima e dopo quello in oggetto a cui applicare la riduzione del rumore. Puoi scegliere tra 0 e 5 fotogrammi. Maggiore il numero di fotogrammi, più intensiva sarà l'elaborazione richiesta. Un numero più alto risulterà in una migliore analisi, ma potrebbe anche produrre esiti indesiderati se nel fotogramma ci sono immagini a elevato movimento. In questo caso potrebbe essere meglio impostare il valore su 1. Se hai bisogno di un numero maggiore di fotogrammi, ma questo produce imperfezioni, puoi provare a regolare il parametro **Motion** per risolvere il problema.

Mo. Est. Type

Seleziona il metodo che DaVinci Resolve usa per rilevare il movimento in un'immagine. Di default è impostato sull'opzione **Faster** (più veloce), che non sovraccarica il processore ma è meno accurata. L'opzione **Better** (migliore) di fatto esclude il movimento in modo più accurato, ma tende a sovraccaricare il processore. L'opzione **None** disabilita completamente il dettaglio di movimento, applicando di fatto la riduzione del rumore temporale all'intera immagine.

Motion Range

Le opzioni **Small**, **Medium** e **Large** indicano la velocità di movimento (in ordine crescente) che **Mo. Est.Type** deve escludere. L'opzione **Small** è indicata per soggetti a movimento lento, con scarso o zero effetto del mosso, consentendo alla riduzione del rumore temporale di trattare un'area dell'immagine secondo la soglia **Motion** prescelta. L'opzione **Large** è indicata per movimenti veloci con effetti del mosso che occupano gran parte dell'immagine, escludendo una parte maggiore dell'immagine dalla riduzione del rumore temporale alla stessa soglia **Motion**. Scegli l'opzione che offre il miglior compromesso tra la riduzione del rumore e la generazione di imperfezioni di movimento quando regoli il parametro **Motion**.

Parametri di riduzione del rumore temporale

Usali per controllare a quali caratteristiche dell'immagine applicare maggiore o minore riduzione del rumore.

Luma Threshold

Consente di determinare la quantità di riduzione del rumore temporale da applicare alla luminanza dell'immagine. Puoi scegliere tra un valore minimo di 0 per nessuna riduzione del rumore, e un massimo di 100. Un parametro troppo alto potrebbe eliminare dettagli dall'immagine.

Chroma Threshold

Consente di determinare la quantità di riduzione del rumore temporale da applicare alla crominanza dell'immagine. Puoi scegliere tra un valore minimo di 0 per nessuna riduzione del rumore, e un massimo di 100. Un parametro troppo alto potrebbe eliminare i dettagli minuziosi del colore. Di solito, impostando la soglia della crominanza su un valore più alto della soglia di luminanza non si rischia di generare artefatti evidenti.

Gang Luma Chroma

In genere, i parametri soglia di **Luma** e **Chroma** sono uniti, per cui regolandone uno si regolano entrambi. Tuttavia per regolare la quantità di riduzione del rumore singolarmente, basta separare le due voci.

Motion

Definisce la soglia che separa i pixel in movimento (al di sopra della soglia) dai pixel in movimento statici (al di sotto della soglia). Quando si utilizza questo parametro la riduzione del rumore temporale non si applica alle zone dell'immagine al di sopra della soglia indicata. In questo modo si prevengono imperfezioni indesiderate escludendo le zone dell'immagine in movimento. I valori più bassi escludono un'area maggiore dell'immagine dalla riduzione del rumore temporale poiché analizzano movimenti meno percettibili. I valori più alti applicano la riduzione del rumore temporale a un'area maggiore dell'immagine poiché le parti da escludere richiedono un movimento più intenso. Puoi scegliere tra una riduzione del rumore temporale da 0 (nessun pixel) a un massimo di 100 (tutti i pixel). Il valore di default è **50**, il compromesso ideale per molte clip. Se imposti un valore troppo alto alla voce Motion, si corre il rischio di generare imperfezioni indesiderate nelle parti dell'immagine in movimento.

Blend

Consente la dissolvenza tra l'immagine a cui è stata applicata la riduzione del rumore temporale (pari a 0), e l'immagine a cui non è stata applicata la riduzione del rumore (pari a 100). Questo parametro consente di ripartire la differenza quando si applica una riduzione del rumore temporale molto marcata.

Controlli di riduzione del rumore spaziale

I controlli **Spatial NR** consentono di ottimizzare le aree dell'immagine con rumore ad alta frequenza, cercando di mantenere il più possibile i dettagli. È ideale per attenuare il rumore che la riduzione temporale non riesce a correggere.

Mode

Consente di scegliere tra tre algoritmi di riduzione spaziale del rumore. Tutti forniscono gli stessi controlli, per cui puoi passare da uno all'altro usando le stesse impostazioni per confrontarne i risultati.

Faster

Offre un metodo di riduzione del rumore più leggero a livello computazionale e ideale con valori bassi, ma che può generare artefatti con valori alti.

Better

Fa sì che i controlli Spatial NR adottino un algoritmo di qualità più alta, che produce risultati nettamente superiori ma richiede un'elaborazione più intensiva in fase di rendering e non permette di regolare separatamente la luminanza (Luma) e la crominanza (Chroma) con gli slider sotto Spatial Threshold.

Enhanced

Se alzi i valori con gli slider sotto Spatial Threshold per eliminare il rumore, questa opzione produce risultati nettamente migliori perché mantiene la nitidezza e i dettagli dell'immagine.

La qualità dell'immagine tende a migliorare in particolar modo portando gli slider su valori alti (la definizione di "alto" varia a seconda dell'immagine). Portando gli slider su valori bassi, i miglioramenti potrebbero essere meno evidenti rispetto ai risultati ottenuti con l'opzione Better, che non richiede un'elaborazione intensiva. Inoltre l'opzione Enhanced permette di slegare gli slider della luminanza e della crominanza sotto Spatial Threshold per regolare la riduzione del rumore di ciascun componente del colore come necessario.

Radius

Le opzioni includono in ordine decrescente: **Large**, **Medium** e **Small**. Un valore più piccolo offre migliori prestazioni in tempo reale e può fornire risultati di buona qualità impostando le soglie della luminanza e della crominanza su valori bassi. Tuttavia, nelle aree di dettaglio potrebbe notarsi più aliasing se scegli valori soglia bassi di riduzione del rumore.

Più è grande il valore di Radius, migliore sarà la qualità nelle aree ricche di dettagli quando i valori delle soglie di luminanza e crominanza sono alti. Questo però potrebbe ridurre la velocità di prestazione. Un valore medio di solito garantisce una buona qualità per gran parte delle immagini se usi valori soglia di riduzione del rumore medi. Come in molte altre operazioni, è importante trovare un compromesso tra qualità e velocità.

Parametri di riduzione del rumore spaziale

Usali per controllare a quali caratteristiche dell'immagine applicare maggiore o minore riduzione del rumore.

Luma

Consente di determinare la quantità di riduzione del rumore da applicare alla luminanza dell'immagine. Puoi scegliere tra un valore minimo di 0 per nessuna riduzione del rumore, e un massimo di 100. Un parametro troppo alto potrebbe eliminare dettagli dall'immagine.

Croma

Consente di determinare quanta riduzione del rumore applicare alla crominanza dell'immagine, attenuando aree dell'immagine con rumore ad alta frequenza, e allo stesso tempo preservare la nitidezza dei contorni. Puoi scegliere tra un valore minimo di 0 per nessuna riduzione del rumore, e un massimo di 100. Un parametro troppo alto potrebbe eliminare i dettagli minuziosi del colore. Di solito, impostando la soglia della crominanza su un valore più alto della soglia di luminanza non si rischia di generare artefatti evidenti.

Gang Luma Chroma

In genere, i parametri soglia di luminanza (Luma) e crominanza (Chroma) sono uniti, per cui regolandone uno si regola anche l'altro. Per regolare la quantità di riduzione del rumore singolarmente è possibile slegare i due parametri. Per esempio, se un'immagine perde troppi dettagli a un determinato livello di riduzione del rumore, e le chiazze di colore sono più accentuate del rumore nella luminanza, abbassa la soglia di Luma per mantenere i dettagli e alza la soglia di Chroma per eliminare il rumore dal colore.

Blend

Consente la dissolvenza tra l'immagine a cui è stata applicata la riduzione del rumore spaziale (valore 0) e l'immagine a cui non è stata applicata alcuna riduzione del rumore (valore 100). Questo parametro consente di ripartire la differenza se applichi una riduzione del rumore spaziale molto marcata.

Global Blend

Blend

Consente la dissolvenza tra l'immagine a cui non è stata applicata alcuna riduzione del rumore (1) e l'immagine cui è stata applicata la riduzione rumore sia temporale che spaziale (0).

Utilizzare la riduzione del rumore

I seguenti esempi suggeriscono come usare i parametri di riduzione del rumore per ottenere uno specifico risultato.

Applicare riduzione del rumore a un'immagine:

- 1 Abilita **Temporal NR** scegliendo da 1 a 5 fotogrammi dal menù **Frames**. A seconda del tipo di materiale, un numero maggiore di fotogrammi richiede più tempo per il rendering e potrebbe non migliorare i risultati in maniera significativa.
- 2 Usa i menù **Mo.Est.Type** e **Motion** per definire la riduzione del rumore in base a quanto movimento è presente nell'immagine. Se c'è molto movimento, scegli **Better** e **Large**, altrimenti opta per impostazioni più basse.
- 3 Con le soglie di Luma e Chroma legate, aumenta lentamente uno dei due parametri fino a notare una riduzione del rumore nelle aree statiche dell'immagine. Poi apporta piccoli ritocchi per determinare la quantità massima raggiungibile senza creare artefatti o intaccare i dettagli.
- 4 Se in un'immagine è visibile più rumore di crominanza che di luminanza, slega gli slider Luma e Chroma, imposta la riduzione del rumore della luminanza sul livello ottimale e poi alza la soglia della crominanza per correggere le chiazze di colore.
- 5 Se il compromesso tra la riduzione del rumore massima applicabile e la comparsa di artefatti di movimento non è soddisfacente, abbassa o alza la soglia di movimento con lo slider **Motion** per escludere o includere una determinata quantità di movimento nell'operazione. Se i risultati non sono ancora soddisfacenti, prova a selezionare altre impostazioni per **Mo.Est.Type** e **Motion**.

Il punto di forza della riduzione del rumore temporale è la riduzione del rumore nelle parti dell'immagine prive di movimento. Quando hai raggiunto il miglior compromesso tra la riduzione del rumore nelle aree senza movimento e il contenimento degli effetti indesiderati nelle aree in movimento dell'immagine, è il momento di passare alla riduzione del rumore spaziale per eliminare ulteriormente il rumore dal resto dell'immagine.

- 6 Abilita la riduzione del rumore spaziale alzando i parametri di Luma o di Chroma, che sono uniti di default, fino a che non trovi il corretto equilibrio tra la riduzione del rumore e un eccessivo smussamento dell'immagine.
- 7 Per ottenere i migliori risultati consigliamo di scegliere l'opzione **Better** dal menù **Mode** sotto **Spatial NR**. Questo però potrebbe richiedere un'elaborazione intensiva, per cui per ottenere migliori prestazioni in tempo reale, scegli l'opzione **Faster** e confronta i risultati.
- 8 Se in un'immagine è visibile più rumore di crominanza che di luminanza, slega gli slider Luma e Chroma (se Luma è su un livello soddisfacente) e alza la soglia di Chroma per una riduzione del rumore spaziale più decisa al fine di correggere le chiazze di colore nell'immagine.
- 9 Se hai dovuto usare valori alti di Luma e Chroma per la riduzione del rumore spaziale e alcuni dettagli appaiono appesantiti o sono soggetti ad aliasing, scegli un valore più alto alla voce **Radius** per consentire un'analisi più dettagliata della scena.

La qualità dell'immagine ne risulterà migliorata ma l'elaborazione intensiva richiesta potrebbe ridurre le prestazioni in tempo reale se la GPU non è abbastanza potente.

- 10 Se hai trovato le impostazioni di riduzione rumore più adatte ma l'immagine risulta troppo artificiale, prova ad alzare il valore **Blend** sotto **Spatial NR** e/o **Temporal NR** per creare una dissolvenza tra la riduzione del rumore applicata da ogni set di controlli e l'immagine pre-riduzione del rumore.

Applicare la riduzione del rumore temporale prima della riduzione del rumore spaziale

La riduzione del rumore temporale analizza molteplici fotogrammi per isolare il rumore, mantenendo fedelmente i dettagli nelle aree dell'immagine con poco movimento. Se usi questa funzione come primo passaggio e ottieni risultati soddisfacenti anche solo su parte dell'immagine, la quantità di riduzione del rumore spaziale necessaria potrebbe essere minima, migliorando la qualità complessiva.

Ricorda che mentre la riduzione del rumore temporale è ideale sulle aree prive di movimento ma meno efficace su quelle con movimento, la riduzione del rumore spaziale può ridurre il rumore in qualsiasi area del fotogramma al di sotto di una determinata soglia, anche in presenza di movimento. Se usate insieme, queste due funzioni sono quasi sempre una combinazione vincente.

Impostare il Radius per la riduzione del rumore spaziale

Impostato sull'opzione **Large**, il Radius può migliorare nettamente la qualità delle aree ricche di dettagli nelle riprese su cui applichi una riduzione del rumore spaziale marcata. Pur essendo l'opzione che fornisce la massima precisione, non sempre è indispensabile selezionarla. Esaminando l'immagine di cui si vuole ridurre il rumore, spesso l'occhio non percepisce la qualità aggiuntiva celata. Si finisce così a sprecare tempo di elaborazione su un livello di correzione inutile.

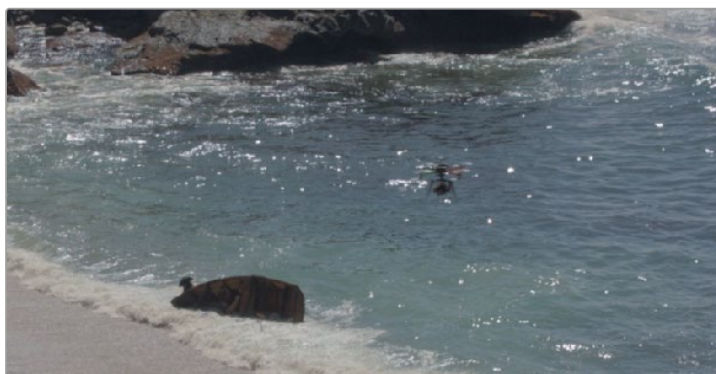
Guardando invece l'immagine intera su un display grande abbastanza è possibile esaminare il rumore di interesse nella stessa modalità di visualizzazione dei futuri spettatori. Se applichi la riduzione del rumore su un'immagine molto zoomata, corri il rischio di scegliere impostazioni di alta qualità inutilmente. Questo perché un dettaglio troppo ingrandito mette in evidenza cambiamenti sottili impercettibili all'immagine nella sua dimensione effettiva.

Rimozione oggetti

Il plug-in di rimozione oggetti è più efficace se usato nella pagina Color e si avvale di DaVinci Neural Engine per completare l'operazione in modo automatico. Questo plug-in è ideale sugli oggetti che attraversano sfondi temporalmente stabili, o sullo sporco della lente nelle sequenze contenenti movimento di ripresa. Sugli oggetti di piccole dimensioni si ottengono risultati migliori, ma l'esito dipende fortemente dal tipo di ripresa. I passaggi di seguito spiegano come utilizzare il plug-in.

Per rimuovere un oggetto in movimento da una clip:

- 1 In questo esempio c'è un drone catturato in volo con una ripresa a campo lungo. Ora andremo a rimuovere il drone usando prima una finestra per isolarlo e poi il plug-in.



La ripresa originale con il drone da rimuovere

Il procedimento più semplice consiste nell'applicare l'effetto di rimozione oggetti a un nodo di correzione, e all'interno del nodo usare una finestra o un Qualifier per isolare l'oggetto da rimuovere. Proviamo a metterlo in pratica.

- 2 Apri la palette **Window** per disegnare una finestra intorno all'oggetto da rimuovere. Per ottenere risultati soddisfacenti, disegna una finestra o una maschera che circoscriva con precisione l'oggetto.
- 3 Traccia la finestra mediante tracciamento o keyframe di modo che segua il movimento dell'oggetto che copre. Come già detto, il risultati dipendono dalla precisione con cui disegni la finestra intorno all'oggetto. Inoltre è bene dare ai margini della finestra una certa morbidezza.



L'oggetto da rimuovere circoscritto da una finestra

- 4 Trascina e rilascia il plug-in di rimozione oggetti sul nodo in cui hai isolato l'oggetto da rimuovere.

- 5 Nel menù contestuale del nodo si attiverà automaticamente l'opzione **OFX alpha**, che permette al plug-in di rimozione oggetti di finalizzare l'operazione usando una qualsiasi delle chiavi create all'interno del nodo.
- 6 Clicca sul pulsante **Scene Analysis** e attendi il completamento dell'analisi. Se l'oggetto da rimuovere si muove ma la camera è fissa, spunta la casella **Assume no Motion** per un esito migliore.

Se la ripresa ha le caratteristiche ideali per una rimozione degli oggetti efficace, al termine dell'analisi l'oggetto scompare e viene sostituito da uno sfondo uniforme ricavato dai fotogrammi circostanti.

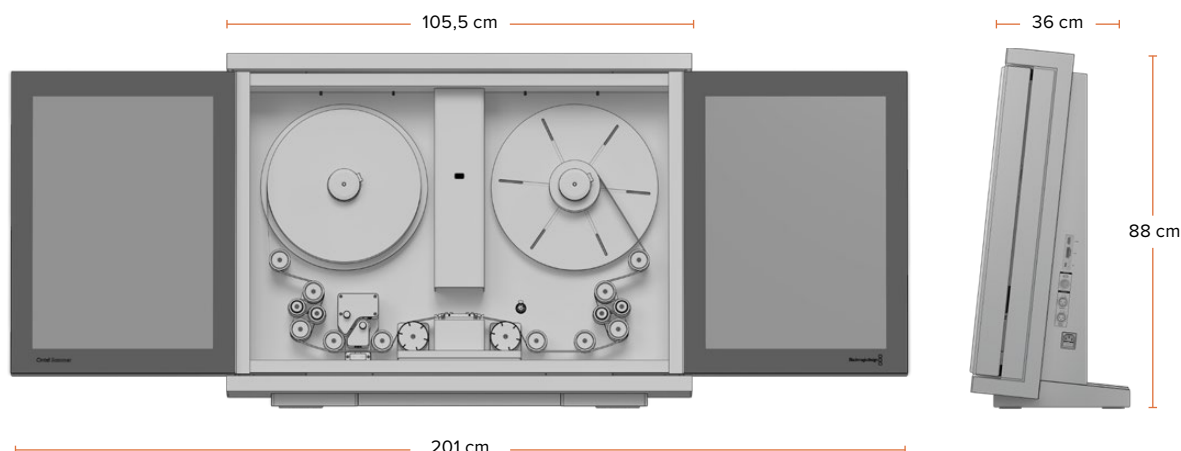


Le ripresa al termine dell'analisi

Il plug-in di rimozione oggetti è strettamente legato al tipo di ripresa e pertanto non sempre garantisce risultati così perfetti. Se il risultato è inadeguato, la finestra di rimpiazzamento mostra frange di colore grigiastre o grigio solido. Il grigio corrisponde alle aree per le quali non è stato trovato un contenuto di sfondo adeguato per riempire la parte rimossa. A questo punto hai due opzioni.

- Se dopo l'analisi noti che la maschera di rimpiazzamento ha frange grigiastre in alcuni fotogrammi, prova a regolare lo slider **Rearch Range**, ovvero la distanza (in fotogrammi) dal fotogramma corrente in cui il plug-in cerca un contenuto di sfondo adatto per riempire la parte rimossa. Per esempio se l'intervallo è 20, la ricerca avrà luogo tra +/-20 fotogrammi da quello corrente, quindi 40 in totale. Con un cuscinetto di 10 fotogrammi, si tratta di ogni quarto fotogramma. Di solito più è piccolo l'intervallo, migliori sono i risultati.
- Se la maschera di rimpiazzamento è del tutto grigia su alcuni fotogrammi, significa che non è stato possibile generare uno sfondo di riempimento adeguato. In questo caso prova a cliccare sul pulsante **Build Clean Plate** per generare il miglior sfondo possibile con cui riempire i fotogrammi, integrandolo con quello dei fotogrammi riempiti con successo.
- Se la parte rimossa si riempie correttamente ma non si integra con naturalezza allo sfondo, prova a cambiare la modalità di fusione, o blending. A differenza della semplice opzione di clonazione di default **Linear**, l'opzione **Adaptive Blend** tende a dare risultati migliori, a eccezione però dei casi in cui i margini della parte da rimpiazzare hanno un colore e una luminosità diversi dallo sfondo.
- Il menù **Scene Mode** offre diverse modalità di analisi della scena, selezionabili a seconda del movimento dell'oggetto da rimuovere, per riempire lo spazio vuoto che si viene a creare nel modo più efficace. Seleziona **Background** per analizzare l'intera immagine tranne l'area in cui si trova l'oggetto; **Boundary** per analizzare l'area circostante quella in cui si trova l'oggetto; **Object** per analizzare l'oggetto che si muove insieme allo sfondo, come un adesivo su una finestra mentre la camera si sposta.

Specifiche



Peso: 60 kg (senza pellicola). Dimensioni su parete: Altezza - 785mm, Profondità - 265mm

Caratteristiche dello scanner

Tipi di pellicola

- Positiva, negativa, interpositiva, internegativa
- Mono e colore

Formati della pellicola

- 35mm:
2, 3, 4 perforazioni
- Super 35mm:
2, 3, 4 perforazioni
- 16mm
- Super 16mm
- 8mm
- Super 8mm

Risoluzione nativa

4096 x 3072

Risoluzioni effettive¹

- 3840 x 2880 – Super 35
- 3390 x 2465 – Standard 35
- 3390 x 2865 – Anamorfico 35
- 1903 x 1143 – Super 16
- 1581 x 1154 – Standard 16
- 892 x 638 – Super 8
- 752 x 567 – Standard 8

Audio

Estratto dalle immagini digitalizzate

Formati HDMI

3840 x 2160 Ultra HD o
1920 x 1080 HD (selezione automatica in base alla risoluzione del monitor)

Riduzione di sporco e graffi

- Fonte di luce diffusa
- Rulli di pulizia

Opzioni di montaggio

- Su tavolo
- A parete

Gamma dinamica

- Scansione standard: 12 stop
- Scansione HDR: fino a 3,5 stop aggiuntivi

Trasporto della pellicola

Movimento continuo

Velocità di esecuzione

1-30 fps

Shuttle

- 1-100 fps (35mm)
- 1-200 fps (16mm)

Tolleranza di restringimento della pellicola

Garantita fino al 2%, maggiore se il dispositivo è utilizzato con cura

Accelerazione

5-30 fps

Capacità

Circa 610 m (35mm)

Conessioni

Uscita video HDMI

1 x HDMI 1.4 4:2:2 a 10 bit solo per visualizzazione di anteprima

Interfaccia accessori

XLR 6

Interfaccia computer²

- Thunderbolt™ 3 per cattura audio e video e aggiornamenti software; supporta la ricarica USB-C con 15W a 5V
- PCI Express Gen 2 a 4 percorsi

Uscita timecode / bifase³

- Bifase 4,5 volt accoppiato in DC
- Timecode 1,5 volt accoppiato in DC
- Timecode a 24, 25 e 30 fps

Ingressi audio analogico

2 canali audio analogico bilanciato professionale con convertitore di frequenza di campionamento sui connettori XLR con livelli 10dBV

Ingresso audio AES/EBU

2 canali con convertitore di frequenza di campionamento sul connettore XLR

¹ Risoluzione dell'area di crop dell'immagine

² Cintel Scanner include solo una porta Thunderbolt 2

³ Solo su Cintel Scanner 2 o successivo

Requisiti di alimentazione

Tensione

90-240V AC

Alimentazione

200 W

Fusibile

T5AL' 20mm

Condizioni ottimali per la pellicola

Temperatura operativa

18 - 28°C

Umidità relativa

Max 65% senza condensazione

Sistemi operativi

Mac, Windows e Linux

Accessori

- Cintel Audio and KeyCode Reader

- Cintel Scanner 16mm Gate HDR

- Cintel Scanner 8mm Gate HDR

- Cintel Scanner 35mm Gate HDR

- Kit di pulizia Cintel Cleaning Roller Kit

- Scheda e cavo Blackmagic PCI Express Cable Kit

Audio and KeyCode Reader

Equalizzazione

Audio ottico SMPTE
Audio magnetico IEC

Velocità di lettura KeyCode compatibili

Tutte

LED

Audio ottico e KeyCode
Deep RED

Velocità di lettura audio

6 fps -125% del frame rate.

Per es. il frame rate di 24 fps ha una velocità di scansione max di 30 fps; il 16mm ha un limite inferiore di 12 fps

Audio ottico compatibile

Area variabile
Densità variabile

Frequenza di campionamento audio e profondità di bit

48kHz a 24 bit PCM (file WAV)

Audio ottico 35 mm

Larghezza di banda

40Hz-16kHz +-2dB

Rapporto segnale/rumore⁴

Base della pellicola -65dB

Wow and flutter⁵

< 0.15%

Audio ottico 16 mm

Larghezza di banda

40Hz-7kHz +-2dB

Rapporto segnale/rumore⁴

Base della pellicola -65dB

Wow and flutter⁵

< 0.3%

Nastro magnetico 16mm con una perforazione

Pressione della testina

15 g

Larghezza di banda⁶

32Hz-14kHz +-2dB

Rapporto segnale/rumore⁴

-55dB

Wow and flutter⁵

< 0.3%

Livello di modulazione

18dBFS

Livello cuffie⁷

18dBu con un carico di 50Ω

Connessione audio

XLR 6

Interfaccia computer

USB-C per gli aggiornamenti software

Consumo energetico

10W, DC 12V

Dimensioni

Altezza: 156 mm

Larghezza: 92 mm

Profondità: 106 mm

Peso: 1,35 kg

⁴ SnR Il rapporto segnale/rumore misurato con risposta piatta

⁵ Wow and Flutter misurato con risposta IEC 386

⁶ Teoricamente la larghezza di banda per l'audio magnetico è di 20-20kHz, ma non esistono test per dimostrarlo

⁷ L'uscita cuffia è intesa unicamente per l'anteprima

Normative



Smaltimento di apparecchiature elettriche ed elettroniche nell'Unione Europea

Questo simbolo indica che il dispositivo non deve essere scartato insieme agli altri rifiuti, ma consegnato a uno degli appositi centri di raccolta e riciclaggio. La raccolta e lo smaltimento differenziato corretto di questo tipo di apparecchiatura evita lo spreco di risorse e contribuisce alla sostenibilità ambientale e umana. Per tutte le informazioni sui centri di raccolta e riciclaggio, contatta gli uffici del tuo comune di residenza o il punto vendita presso cui hai acquistato il prodotto.



Questo dispositivo è stato testato e dichiarato conforme ai limiti relativi ai dispositivi digitali di Classe A, ai sensi dell'articolo 15 del regolamento FCC. Tali limiti sono stati stabiliti con lo scopo di fornire protezione ragionevole da interferenze dannose in ambienti commerciali. Questo dispositivo genera, usa e può irradiare energia a radiofrequenza e, se non è installato o usato in conformità alle istruzioni, può causare interferenze dannose che compromettono le comunicazioni radio. Operare questo dispositivo in ambienti residenziali può causare interferenze dannose, nella cui evenienza l'utente dovrà porvi rimedio a proprie spese.

Il funzionamento è soggetto alle due condizioni seguenti:

- 1 Questo dispositivo non deve causare interferenze dannose.
- 2 Questo dispositivo deve accettare eventuali interferenze ricevute, incluse le interferenze che possono causare un funzionamento indesiderato.



R- REM-BMD-201805001



Dichiarazione ISED (Canada)

Questo dispositivo è conforme agli standard canadesi sui dispositivi digitali di Classe A.

Qualsiasi modifica o utilizzo del dispositivo al di fuori di quello previsto potrebbero invalidare la conformità a tali standard.

Consigliamo di connettere le interfacce HDMI usando cavi schermati HDMI di alta qualità.

Questo dispositivo è stato testato per l'uso in ambienti commerciali. Se utilizzato in ambienti domestici, può causare interferenze radio.

Sicurezza

Per evitare scosse elettriche, connettere il dispositivo a una presa di corrente con messa a terra. Per qualsiasi dubbio, contattare un elettricista qualificato.

Per ridurre il rischio di scosse elettriche, evitare di esporre il dispositivo a gocce o spruzzi.

Questo dispositivo è adatto all'uso nei luoghi tropicali con una temperatura ambiente non superiore ai 40°C. Le condizioni ideali per la pellicola vanno dai 18°C ai 28°C.

Lasciare uno spazio adeguato intorno al dispositivo per consentire sufficiente ventilazione.

Le parti all'interno del dispositivo non sono riparabili dall'utente. Contattare un centro assistenza Blackmagic Design per le operazioni di manutenzione.



Usare il dispositivo a un'altitudine non superiore a 2000 m sopra il livello del mare.



AVVERTENZE

Con le bobine installate, Cintel Scanner arriva a un peso di 70 kg, nettamente superiore a un televisore di grandi dimensioni. Se non sei certo che la struttura della parete o del piano possa sostenerne il peso, è consigliabile ottenere il parere di un ingegnere qualificato in modo da fissare il dispositivo in modo sicuro. Un'installazione scorretta potrebbe provocare la caduta dello scanner, causando infortuni gravi o fatali.

Fissare lo scanner su un piano

Se monti lo scanner su un piano, e specialmente quando lavori sotto lo scanner per fissare le viti, assicurati che la superficie di lavoro sia piana e stabile. I supporti di montaggio e le guarnizioni utilizzati devono essere abbastanza resistenti da sostenere il peso dello scanner. Qualora la superficie non fosse in grado di sostenerne il peso, o dovesse cedere col tempo, lo scanner potrebbe cadere con il rischio di causare gravi infortuni.

Fissare lo scanner alla parete

Se monti lo scanner alla parete, assicurati che il muro sia sufficientemente solido per sostenerne il peso nel tempo. Se, col tempo e l'utilizzo, la parete dovesse perdere solidità, lo scanner potrebbe cadere causando infortuni. Non installare lo scanner su superfici precarie. I supporti di montaggio e le guarnizioni utilizzati devono essere abbastanza resistenti da sostenere il peso dello scanner. Se la superficie di installazione non è sufficientemente solida, lo scanner potrebbe cadere causando infortuni.

Sono necessarie almeno due persone per fissare lo scanner su un piano o alla parete. Non tentare di installarlo senza l'aiuto di un'altra persona.

Funzionamento

Per operare lo scanner è necessaria l'interazione dell'utente, e il processo di inserimento della pellicola è per sua natura manuale. È importante ricordare che le parti mobili possono costituire un pericolo. È bene assicurarsi di mantenere le dita e altre parti del corpo a distanza dallo scanner mentre è in funzione.

Dichiarazione dello Stato della California

Questo dispositivo può esporre l'utente a sostanze chimiche, per esempio tracce di bifenili polibromurati nelle parti in plastica, che nello Stato della California sono considerati causa di cancro e difetti alla nascita o altri danni al sistema riproduttivo.

Per maggiori informazioni, visitare la pagina www.P65Warnings.ca.gov.

Avvertenze per il personale autorizzato



Scollegare l'alimentazione da entrambe le prese prima di effettuare la manutenzione!

Assistenza

Il modo più veloce di ottenere assistenza è visitare la pagina Supporto di Blackmagic Design. Lì troverai sempre il materiale di supporto più recente per il tuo Cintel Scanner.

Supporto online

L'ultima versione del manuale e del software e le note di supporto più recenti sono disponibili alla pagina www.blackmagicdesign.com/it/support

Blackmagic Forum

Il Blackmagic Forum sul nostro sito è un'ottima risorsa per ottenere informazioni utili e condividere idee creative. Qui trovi le risposte alle domande più frequenti, oltre ai consigli forniti da utenti esperti e dal team Blackmagic Design. Visita <https://forum.blackmagicdesign.com>

Contattare Blackmagic Design

Se il materiale disponibile e il Blackmagic Forum non rispondono alle tue domande, clicca su **Invia una email**, oppure clicca su **Trova un team di supporto** nella pagina Supporto per contattare direttamente il team Blackmagic Design più vicino a te.

Verificare la versione del software installata

Per scoprire quale versione di DaVinci Resolve è installata sul tuo Mac, Windows, o Linux, apri DaVinci Resolve e clicca **About DaVinci Resolve** sotto il menù **DaVinci Resolve**.

Per verificare quale versione del software Cintel Scanner è installata sul tuo Mac, Windows, o Linux, apri l'utilità **Cintel Setup** e consulta la tab **About**.

Scaricare gli aggiornamenti più recenti

Dopo aver controllato quale versione del software DaVinci Resolve e Cintel Scanner è installata sul computer, visita la pagina Supporto www.blackmagicdesign.com/it/support per scaricare gli aggiornamenti. Consigliamo di non eseguire aggiornamenti se stai lavorando a un progetto importante.

Creare un rapporto di stato

Il software Cintel Scanner consente di creare un rapporto di stato che puoi inviare al centro assistenza Blackmagic per aiutarli a diagnosticare e a risolvere un problema. Puoi farlo anche per Audio and KeyKode Reader.

Apri l'utilità **Cintel Setup**, clicca l'icona delle impostazioni e vai alla tab **About**. Nella sezione **Device information** clicca **Create**. Verrà creato un file HTML contenente informazioni di stato di Cintel Scanner e del lettore Audio and KeyKode Reader.

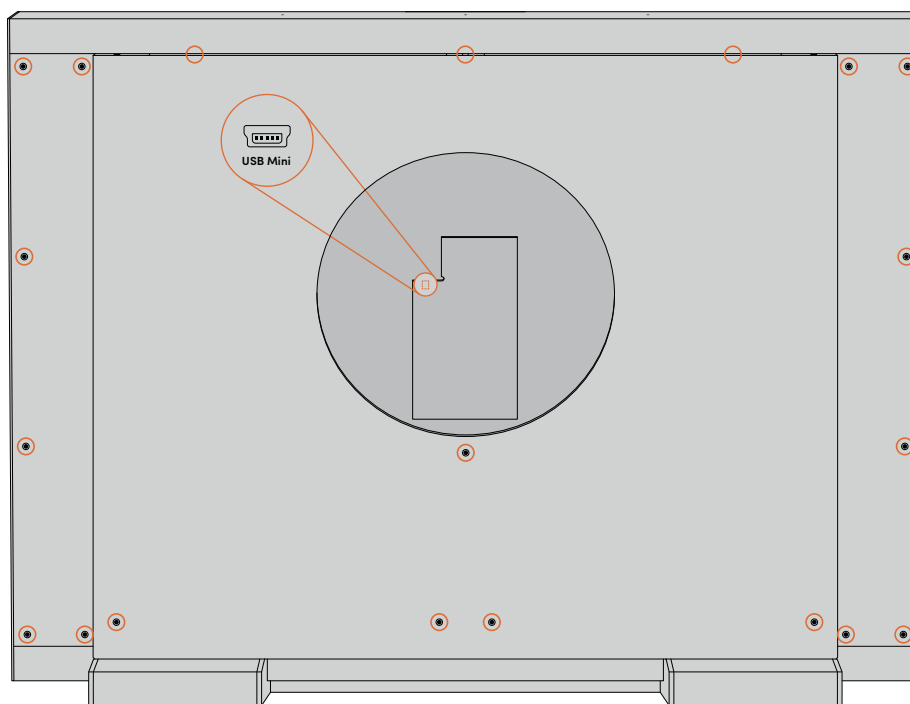
Ripristino tramite USB

Nel raro caso in cui l'aggiornamento si interrompa, o si verifichino difficoltà che impediscono a Cintel di rispondere ai comandi, collega il computer alla porta USB per effettuare il ripristino.

Puoi confermare che il ripristino tramite USB sia disponibile collegando Cintel Scanner alla corrente e controllando che la spia LED di stato vicino alla porta Thunderbolt sia illuminata di verde. Se la spia LED si illumina di rosso, contatta il centro assistenza Blackmagic Design.

- 1 Rimuovi il pannello posteriore di Blackmagic Cintel Scanner. La porta USB per il ripristino di sistema è situata tra il centro e la parte superiore di Cintel. Si trova sul lato della scheda di circuito rivolta verso la parte frontale di Cintel Scanner, ed è visibile quando guardi lo scanner dall'alto.

NOTA Se non hai accesso immediato al pannello posteriore e devi spostare lo scanner, assicurati che l'operazione venga eseguita da almeno due persone, e che il piano d'appoggio sia abbastanza solido per sostenere il peso dello scanner. Consulta la sezione "Disimballare e montare lo scanner" per maggiori informazioni.



Rimuovi il pannello posteriore per accedere alla porta USB per il ripristino

- 2 Connetti il computer alla porta USB di ripristino utilizzando un cavo USB mini B.

- 3 Scarica la versione più recente del software Cintel Scanner dal sito Blackmagic Design, installala e aprila sul computer. L'utilità rileverà che il computer è collegato allo scanner tramite la porta USB per il ripristino. Clicca **Update now**.



Il software Cintel Scanner rileva che il computer è collegato allo scanner tramite la porta USB per il ripristino

- 4 Completato l'aggiornamento di ripristino, Cintel Scanner installa il software più recente e continua a operare normalmente. Per controllare che l'aggiornamento sia andato a buon fine, scollega il cavo USB, connetti il cavo Thunderbolt, e riaccendi lo scanner.
- 5 Reinserisci infine il pannello posteriore e reinstalla Cintel Scanner nella posizione consueta. Se hai bisogno di ulteriore assistenza, visita il forum Blackmagic Design, o contattaci al centro assistenza Blackmagic Design.

Garanzia

Garanzia limitata di 12 mesi

Blackmagic Design garantisce che questo prodotto è fornito privo di difetti nei materiali e nella manifattura per un periodo di un anno a partire dalla data d'acquisto. Durante il periodo di garanzia, Blackmagic Design, a sua scelta, riparerà il prodotto difettoso, senza costi per le parti e la manodopera, o sostituirà il prodotto difettoso purché questo venga restituito. Per ottenere il servizio previsto dalla presente garanzia, il/la Cliente deve notificare Blackmagic Design del difetto entro il periodo di garanzia e accordarsi sulla prestazione del servizio. Il/la Cliente è responsabile del costo di imballaggio e di spedizione del prodotto al centro di assistenza indicato da Blackmagic Design, con spese di spedizione prepagate. Le spese di spedizione, l'assicurazione, le tasse, la dogana e altre spese pertinenti la resa del prodotto a Blackmagic Design sono a carico del/la Cliente.

Questa garanzia perde di validità per difetti, malfunzionamento o danni causati da utilizzo improprio o da manutenzione e cura inadeguate del prodotto. Blackmagic Design non ha obbligo di fornire assistenza sotto questa garanzia: a) per riparare danni causati da tentativi di installazione, riparazione o manutenzione da parte di personale che non sia autorizzato da Blackmagic Design, b) per riparare danni causati da uso improprio o connessione ad attrezzatura incompatibile, c) per riparare danni o malfunzionamenti causati dall'uso di parti o ricambi non originali Blackmagic Design, o d) per fare manutenzione se il prodotto è stato modificato o integrato ad altri prodotti con il risultato di allungare i tempi della manutenzione o di renderla più difficoltosa.

LA PRESENTE GARANZIA DI BLACKMAGIC DESIGN SOSTITUISCE QUALSIASI ALTRA GARANZIA, ESPLICITA O IMPLICITA. BLACKMAGIC DESIGN E I SUOI FORNITORI ESCLUDONO QUALSIASI ALTRA GARANZIA IMPLICITA DI COMMERCIALIZZABILITÀ O DI IDONEITÀ AD UN USO SPECIFICO. L'INTERA RESPONSABILITÀ DI BLACKMAGIC DESIGN DI RIPARARE O SOSTITUIRE I PRODOTTI DIFETTOSI DURANTE IL PERIODO DI GARANZIA È L'UNICO ED ESCLUSIVO RIMEDIO FORNITO AL/LA CLIENTE. BLACKMAGIC DESIGN NON SI ASSUME ALCUNA RESPONSABILITÀ PER QUALSIASI DANNO ARRECATO DI NATURA INDIRETTA, SPECIFICA, ACCIDENTALE O CONSEGUENZIALE, ANCHE QUALORA BLACKMAGIC DESIGN O IL FORNITORE FOSSERO STATI AVVERTITI DELLA POSSIBILITÀ DI TALI DANNI. BLACKMAGIC DESIGN NON SI ASSUME ALCUNA RESPONSABILITÀ PER QUALSIASI USO ILLEGALE DEL/LA DISPOSITIVO DA PARTE DEL CLIENTE. BLACKMAGIC DESIGN NON SI ASSUME ALCUNA RESPONSABILITÀ PER DANNI DERIVANTI DALL'USO DI QUESTO PRODOTTO. IL/LA CLIENTE UTILIZZA QUESTO PRODOTTO A PROPRIO RISCHIO.

© Copyright 2024 Blackmagic Design. Tutti i diritti riservati. *Blackmagic Design*, *Cintel*, *DeckLink*, *DaVinci Resolve* sono tutti marchi registrati negli Stati Uniti e in altri Paesi. Altri nomi di prodotti e aziende qui contenuti potrebbero essere marchi dei rispettivi proprietari.

Abril 2024

Manual de Instalação e Operação

Blackmagicdesign 

Cintel Scanner



Cintel Scanner



Prezado Cliente,

Obrigado por adquirir um Cintel Scanner!

O seu novo digitalizador roda filmes em tempo real para que você possa transferir películas muito mais rápido do que com digitalizadores que usam movimento arritmico constante em tempo não real. Mas é importante entender que o seu digitalizador não é um telecine e que não transfere filme para vídeo, já que ele transfere filme via Thunderbolt 3 ou PCIe diretamente para o DaVinci Resolve, onde você tem o poder de montar os rolos de filme juntos novamente e as digitalizações podem ser colorizadas, reenquadradas, terem seu ruído reduzido e o áudio extraído.

Ao operar o digitalizador através do DaVinci Resolve, você obtém um controle criativo muito maior do que com um telecine simples, graças aos inúmeros recursos oferecidos pelo software que seriam impossíveis de realizar com hardware. Além disso, como o Cintel tira vantagem da força do sistema DaVinci Resolve e da CPU e GPU do computador host, o digitalizador em si não precisa ser sobrecarregado com equipamentos eletrônicos volumosos e caros.

O fluxo de trabalho de digitalização é simples. Tudo que você precisa fazer é digitalizar seu filme com arquivos RAW de grande alcance dinâmico ou faixa dinâmica padrão e depois que remontar os rolos de filme juntos na linha de tempo, adicionar redução de ruído, fazer o tratamento de cores e reenquadrar. Basta usar a página de entrega do DaVinci Resolve e renderizar para qualquer formato desejado.

Também desenvolvemos acessórios para aprimorar seu fluxo de trabalho. O acessório opcional Audio and KeyCode Reader pode digitalizar áudio óptico ou magnético mais rápido que em tempo real, além de importar as informações KeyCode diretamente nos clipes do DaVinci Resolve. Se preferir, o digitalizador também pode sincronizar sistemas de áudio downstream.

Obviamente, com toda a potência do DaVinci Resolve disponível com o seu digitalizador, também é importante consultar o manual e os tutoriais do DaVinci Resolve. Há excelentes tutoriais em vídeo de clientes usando o DaVinci Resolve, além de treinamento de alta qualidade disponível a partir de terceiros para ajudá-lo a aproveitar o seu sistema DaVinci Resolve ao máximo.

Consulte a página de suporte em www.blackmagicdesign.com/br para obter a versão mais recente deste manual e das atualizações do software interno do seu Cintel Scanner.

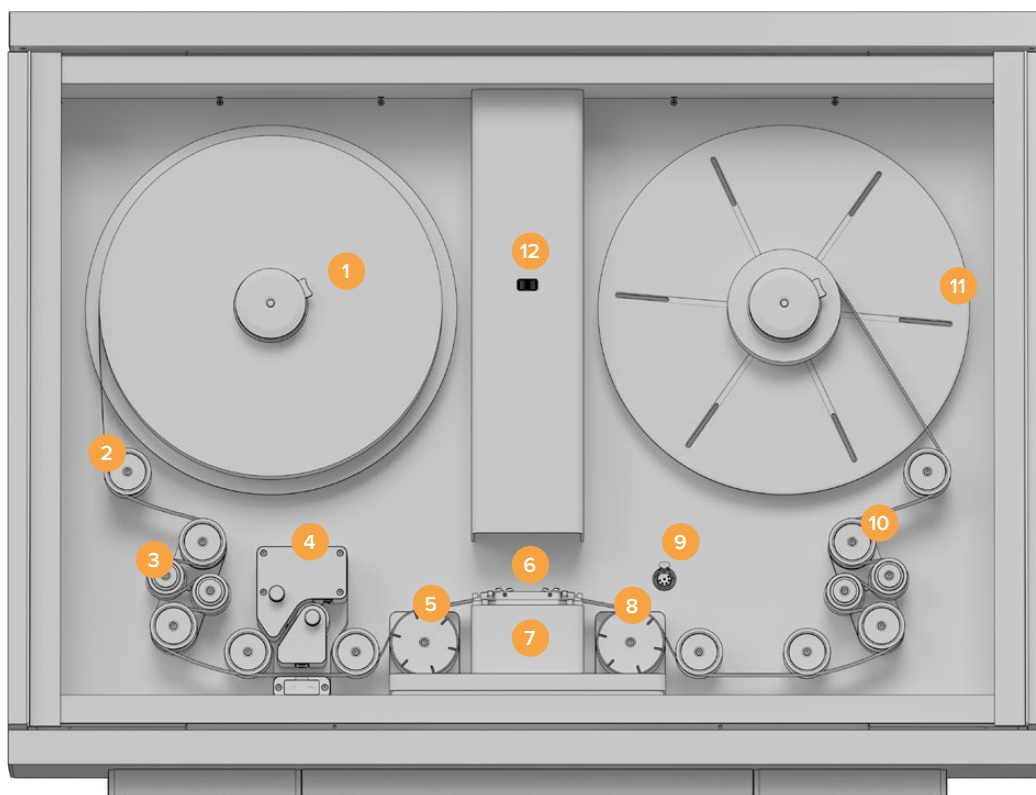
Grant Petty

Diretor Executivo da Blackmagic Design

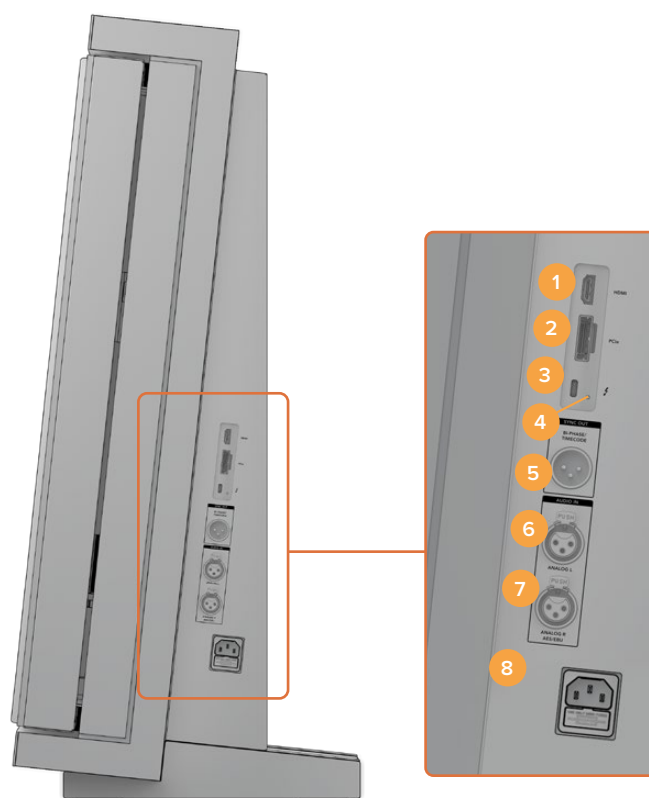
Índice

Desempacotando e Montando	1195	Digitalizando Uma ou Mais Seções do Filme	1229
Montagem em Mesa	1195	Extraindo Áudio	1230
Montagem em Parede	1196	Configurações de Extração de Áudio	1231
Aviso para Instalar seu Digitalizador com Segurança	1197	Espaço de Cor e Dimensionamento	1233
Primeiros Passos	1198	Audio and KeyKode Reader Opcional	1235
Instalando o Software	1198	Encaixando o Audio and KeyKode Reader	1236
Conectando Alimentação	1198	Lendo Áudio	1238
Conectando a um Computador	1198	Configurando o Leitor para Digitalização de Áudio	1239
Iniciando o DaVinci Resolve	1199	Lendo KeyKode	1245
Atualizações de Firmware	1200	Configurando o Leitor para Digitalização de KeyKode	1245
Kit de Desenvolvimento de Software	1201	Transcodificando para DPX com Metadados KeyKode	1246
O que é HDR?	1201	Manutenção	1248
Tipos de Cruz de Malta	1202	Limpendo os Roletes de Transferência de Partículas	1248
Laçando o Filme	1202	Limpendo os Cabrestantes	1248
Utilizando seu Digitalizador	1206	Desempoeiramento	1249
Tipos de Bobinamento	1206	Limpendo o Rolete do Audio and KeyKode Reader	1249
Alternando para 16 mm	1207	Limpendo a Cabeça de Áudio Magnética do Audio and KeyKode Reader	1250
Alternando para 8 mm	1209	Substituição da Cabeça Magnética	1251
Alternando entre Bitolas de Filme 8 mm	1210	Substituindo a PCB da Cabeça Magnética	1253
Parafusos de Tensão do Caminho do Filme	1212	Redefinir Tempo de Execução da Cabeça Magnética	1257
Controles de Reprodução	1213	Verificando o Alinhamento da Cabeça	1257
Modo de Espera	1214	Trabalhando com Clipes no DaVinci Resolve	1262
Captando com o DaVinci Resolve	1214	Gerente de Projetos	1262
Interface do Cintel Scanner	1214	Editando com a Página Corte	1263
Controles de Filme	1215	Adicionando Clipes à Linha de Tempo	1266
Ajustando a Fonte de Luz	1218	Editando Clipes na Linha de Tempo	1267
Estabilização de Imagem	1219	Visualização do Aparo de Som	1268
Proteção do Filme	1222		
Editando Informações de Captação e Metadados	1222		
Fluxos de Trabalho de Digitalização de Filmes	1224		
Ajustando a Cor do Digitalizador	1228		

Adicionando Títulos	1268	Opções de Otimização de Velocidade	1300
Trabalhando com Arquivos Blackmagic RAW	1269	Restaurando Detalhes Originais Após Descintilação	1301
Corrigindo Cores dos seus Clipes com a Página Cor	1273	Saída	1301
Adicionando uma Power Window	1276	Extrator de Poeira	1301
Usando Plug-ins	1278	Controles Gerais	1302
Misturando Áudio na Página Edição	1278	Tipo de Correção	1303
Página Fairlight	1279	Opções de Correção	1304
Adicionando VFX e Composições com a Página Fusion	1284	Controles Avançados	1304
Guia de Introdução ao Fusion	1286	Redução de Ruído	1305
Masterizando Sua Edição	1292	Controles de RR Temporal	1305
Exportação Rápida	1292	Controles de Limite Temporal	1306
Página Entrega	1293	Controles de RR Espacial	1306
Remoção de Sujeira Automática	1294	Controles de Limite Espacial	1307
Controles Principais	1294	Mistura Global	1308
Controles Finos	1295	Usando Redução de Ruído	1308
Correção de Pixels Quentes	1295	Remoção de Objeto	1310
Geral	1296	Especificações	1312
Tipo de Correção	1297	Informações Regulatórias	1315
Opções de Correção	1298	Informações de Segurança	1316
Controles Avançados	1298	Ajuda	1318
Descintilador	1299	Como Obter as Atualizações Mais Recentes	1318
Parâmetros Principais	1299	Criando um Relatório de Status	1318
RR Temporal	1299	Recuperação por USB	1319
		Garantia	1321



1. Fixador de batoque 2. Rolete 3. Rolete de transferência de partículas 4. Audio and KeyCode Reader opcional encaixado via a interface de opções esquerda 5. Tambor de tração 6. Janela de projeção 7. Fonte de luz 8. Rolete dentado 9. Porta de expansão do pino de registro 10. Patins 11. Prato traseiro para bobina 12. Anel de foco



1. HDMI 2. PCIe 3. Thunderbolt 3 4. Status da fonte de alimentação 5. Sincronização bifásica / saída de código de tempo 6. Entrada de áudio XLR3 1 7. Entrada de áudio XLR3 2 8. Conexão de alimentação

Desempacotando e Montando

Nos orgulhamos de apresentar o seu novo Cintel Scanner!

A primeira coisa a fazer antes de começar a usá-lo é desempacotar e montar o seu digitalizador com segurança em uma superfície estável ou contra uma parede. Orifícios de montagem estão localizados na base do digitalizador, sob os pés, para mais estabilidade ao montá-lo em uma mesa. Orifícios de montagem também estão localizados no painel traseiro para que você possa montar seu escâner firmemente em um suporte de parede dedicado.

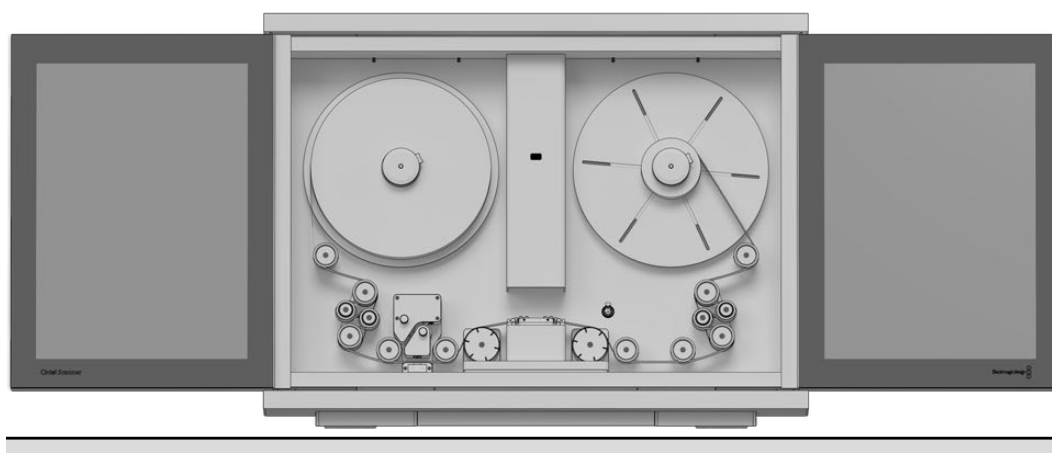
Após abrir o case rígido do seu digitalizador, você observará que espaços foram cortados no enchimento de espuma para que você possa segurá-lo com firmeza.

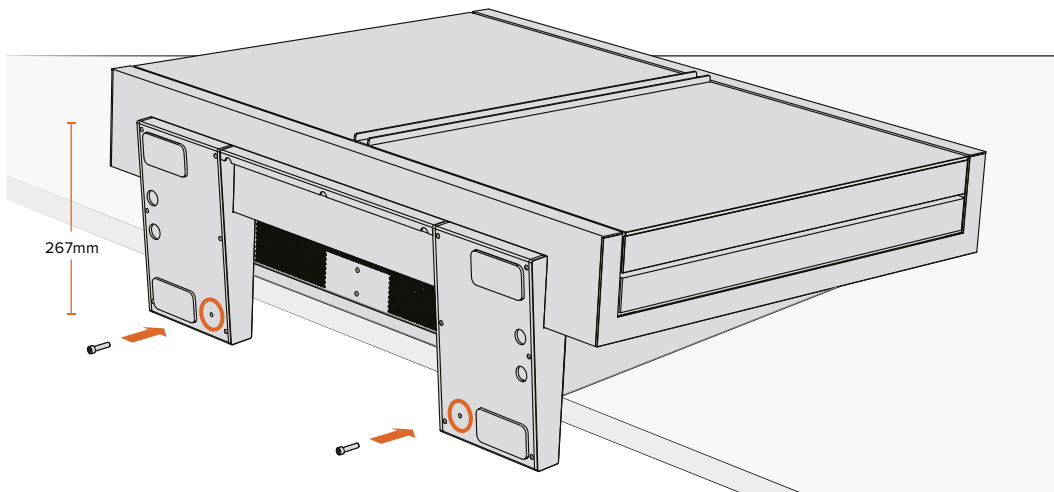
Observe que o Cintel pesa mais de 60 quilos, ou 130 libras, e é claramente pesado demais para ser desempacotado por apenas uma pessoa. Certifique-se de que toda a elevação seja desempenhada por duas pessoas utilizando as técnicas de suspensão corretas, como dobrar os joelhos, manter as costas retas e elevar com movimentos atentos e controlados.

Após ter retirado seu digitalizador do case rígido cuidadosamente, coloque-o de pé em uma superfície estável, plana e com capacidade para suportar o seu peso.

Montagem em Mesa

Para mais estabilidade, é possível fixar o digitalizador à sua superfície de trabalho utilizando os orifícios de montagem nos pés do aparelho. Para fazer isto, será necessário fazer dois furos na sua mesa ou superfície de trabalho para que você possa inserir pinos de segurança M6 e aparafusá-los aos orifícios roscados sob os pés do seu digitalizador. Isso prenderá o seu digitalizador firmemente na superfície e impedirá que ele se mexa.





Para montagem em mesa, você pode fixar o seu digitalizador na sua superfície de trabalho com segurança parafusando os pinos de segurança M6 nos pés do digitalizador

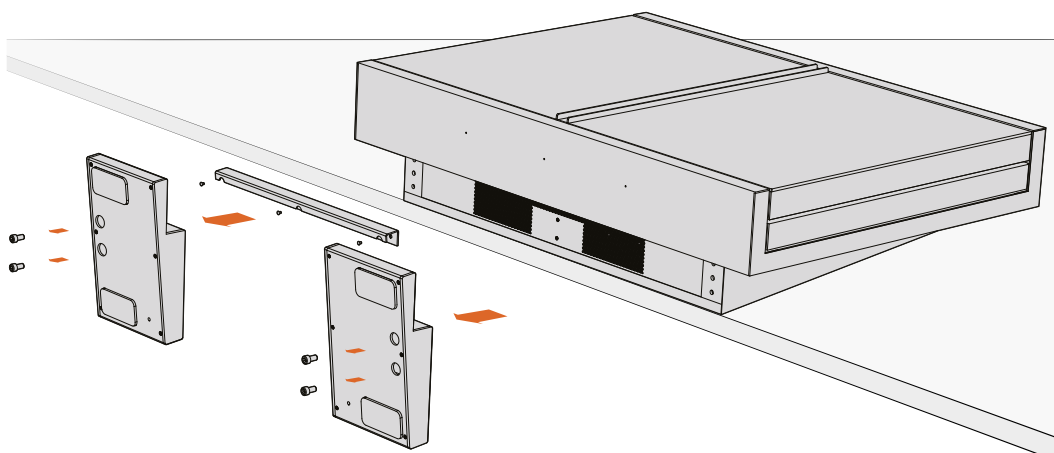
OBSERVAÇÃO Sua segurança é importante para nós e é bastante recomendável que você leia as informações de segurança na página a seguir antes de montar o seu Cintel Scanner.

Montagem em Parede

O design industrial luxuoso do Cintel e seu perfil estreito o tornam ideal para montagem em parede.

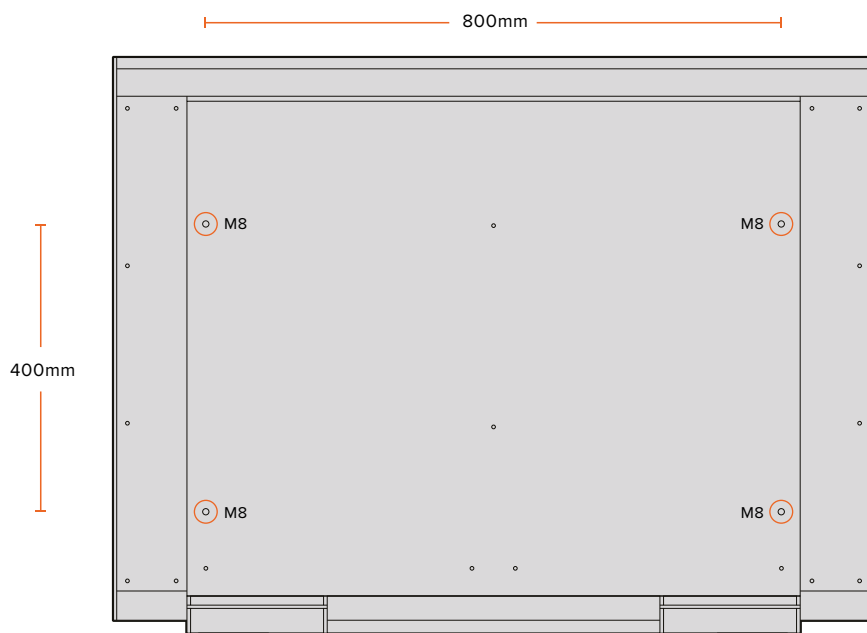
Para fazer isto, a primeira coisa a fazer é remover os pés e o suporte de apoio da base do seu digitalizador.

- 1 Coloque o seu digitalizador virado para cima com seus pés sobre uma superfície sólida e estável, capaz de suportar o seu peso.
- 2 Desenrosque o par de parafusos M8 de cada pé usando uma chave sextavada de 6 mm e retire os pés cuidadosamente.
- 3 Usando uma chave Phillips, retire o suporte de apoio entre os pés. Guarde o suporte de apoio em um local seguro junto dos pés do seu digitalizador para que você possa reencaixá-los posteriormente caso seja necessário realocar seu digitalizador.



Os pés e o suporte de apoio para montagem em mesa do digitalizador podem ser retirados caso deseje montá-lo em uma parede

As posições dos seus quatro parafusos de montagem M8 no painel traseiro do seu digitalizador são demonstradas abaixo. Certifique-se de utilizar parafusos M8 ao fixar seu digitalizador em um encaixe de parede. Os parafusos M8 devem ter no máximo 25 mm de comprimento.



Aviso para Instalar seu Digitalizador com Segurança

O Cintel Scanner pesa até 70 quilos, ou 155 libras, quando carregado com filme. Isto é consideravelmente mais pesado que um televisor de tela grande. Caso não tenha certeza da capacidade estrutural da parede ou mesa apoiando o peso total do digitalizador e o filme carregado, você deve consultar um engenheiro qualificado para analisar corretamente a montagem e garantir sua segurança. A instalação incorreta resultará na queda do digitalizador, o que pode causar ferimentos graves ou pode ser fatal.

Ao montar o digitalizador em mesa e, especialmente, ao trabalhar debaixo do digitalizador para instalar os parafusos da montagem, certifique-se de que a sua superfície de trabalho seja plana e estável. Suportes de montagem e acessórios devem possuir robustez suficiente para suportar o peso do seu digitalizador com segurança. Se a sua superfície de trabalho não for capaz de suportar o peso do digitalizador, ou perder a robustez com o passar do tempo, seu digitalizador poderá cair, possivelmente causando lesões corporais graves.

Ao montar o digitalizador em uma parede, certifique-se de que o local de instalação seja suficientemente robusto para utilização prolongada. Se a robustez se tornar insuficiente com o uso a longo prazo, o digitalizador poderá cair, possivelmente causando ferimentos. Não instale em locais incapazes de suportar seu peso. Suportes de montagem e acessórios devem possuir robustez suficiente para suportar o peso do digitalizador com segurança. Se a robustez da instalação for insuficiente, o digitalizador poderá cair causando possíveis ferimentos pessoais.

A montagem em mesa ou parede deve ser feita por mais de uma pessoa. Não tente fazer a instalação sozinho.

Primeiros Passos

Depois de desembalar e montar o digitalizador, começar a usá-lo é tão simples quanto conectar a alimentação e seu computador via Thunderbolt, iniciar o Blackmagic DaVinci Resolve e carregar o seu filme. Caso deseje a visualização imediata da sua digitalização em um monitor externo, você pode carregar o filme, ajustar a tensão manualmente e fazer a saída para um monitor HDMI. Para saber mais sobre isso, consulte as seções 'Carregando o Filme' e 'Controles de Reprodução' deste manual.

Instalando o Software

Os controles de captura do seu digitalizador se encontram no painel Digitalização de Filme no DaVinci Resolve, portanto, primeiro é necessário assegurar que você tenha o programa instalado quando estiver pronto para fazer a captura da sua digitalização. O seu digitalizador é despachado com um dongle que permite usar a versão completa do DaVinci Resolve.

Você pode baixar a versão mais recente do software Cintel Scanner na Central de Suporte Técnico Blackmagic Design em www.blackmagicdesign.com/br/support

Após o término do download, descompacte o arquivo e clique nele duas vezes. Isto abrirá a pasta de configuração. Agora, basta executar os arquivos instaladores dentro da pasta de configuração e seguir as instruções para instalar o programa no seu computador.

Também é possível utilizar o SDK Cintel Scanner para desenvolver seu próprio software para controlar o digitalizador e integrá-lo ao seu fluxo de trabalho. Para mais informações, consulte a seção 'Kit de Desenvolvimento de Software'.

Conectando Alimentação

Agora que todos os programas necessários estão instalados no seu computador, será necessário conectar a alimentação ao digitalizador para que você possa carregar seu filme.

Ligue o digitalizador ao conectar um cabo IEC padrão ao conector de energia AC no canto inferior direito do painel traseiro. O indicador LED de alimentação do seu digitalizador acenderá em verde quando a energia for conectada.

Conectando a um Computador

Há duas maneiras de conectar seu Cintel Scanner a um computador host. A porta Thunderbolt 3 pode ser usada em computadores Windows e Mac, enquanto a porta PCIe externa pode ser utilizada por computadores Windows e Linux com o kit de cabos PCIe da Blackmagic Design. Também é possível conectar a um monitor externo com a porta HDMI do seu digitalizador para fins de foco ou pré-visualização. As portas Thunderbolt 3, PCIe e HDMI estão localizadas no canto inferior direito do seu digitalizador.

Iniciando o DaVinci Resolve

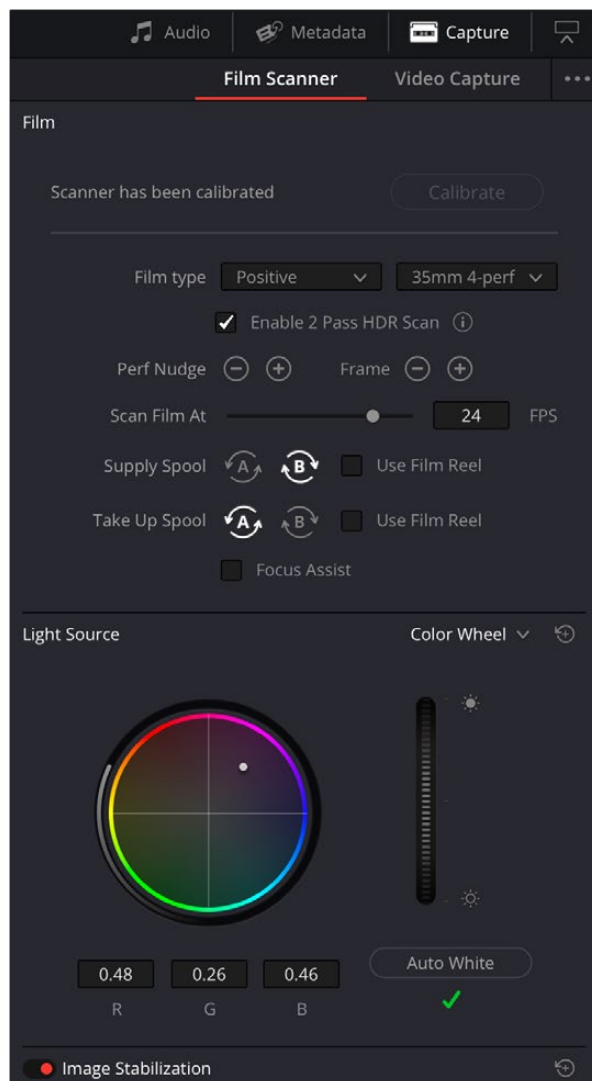
Inicie o DaVinci Resolve e selecione a página 'Mídias'. Abra o painel de digitalização do DaVinci Resolve clicando no botão de captura no canto superior direito da tela e selecionando "Digitalização de Filme".

O digitalizador captará uma grande quantidade de dados de imagem, então você terá que configurar a pasta desejada para armazenar os arquivos captados pelo software.

Para fazer isso:

- 1 Inicie o DaVinci Resolve.
- 2 Clique em "Preferências" na barra de menu do DaVinci Resolve.
- 3 Clique no ícone "+" na aba "Armazenamento de Mídia". Navegue e selecione uma unidade ou caminho de pasta.
- 4 Clique em "Salvar" e reinicie o DaVinci Resolve.

Para informações detalhadas sobre como usar todos os recursos de controle no painel de digitalização de filmes do DaVinci Resolve, consulte a seção 'Captando com o DaVinci Resolve'.



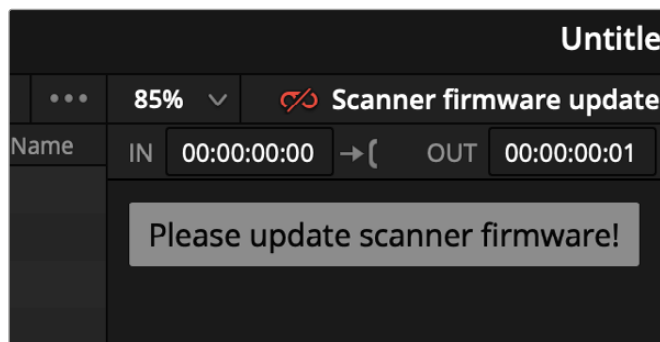
O painel de digitalização de filmes do DaVinci Resolve controla todas as configurações de captura

Atualizações de Firmware

Após instalar o software Cintel Scanner em seu computador, pode ser necessário atualizar o firmware interno tanto do Cintel Scanner quanto do Audio e KeyCode Reader.

Cintel Scanner

Após atualizar o software Cintel Scanner no seu computador e conectar o digitalizador, ele determinará se o firmware precisa ser atualizado.



O DaVinci Resolve exibirá uma mensagem quando o Cintel Scanner estiver bloqueado.

Audio and KeyCode Reader

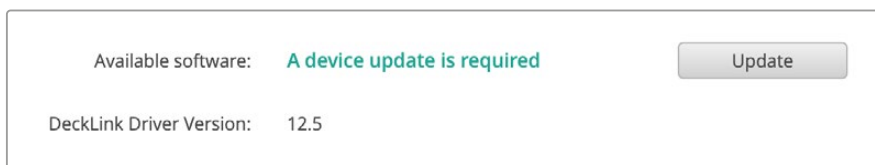
Quando o KeyCode Reader precisa de uma atualização de firmware, o leitor fica bloqueado e o DaVinci Resolve irá lembrá-lo de atualizar o firmware do dispositivo, semelhante às atualizações de firmware exibidas na imagem anterior.

Atualizando o Firmware

As atualizações de software para o firmware do seu Cintel Scanner e Audio and KeyCode Reader são gerenciadas através do utilitário Cintel Setup.

Para atualizar o firmware do Cintel Scanner ou Audio and KeyCode Reader:

- 1 Conecte seu Cintel Scanner à energia e à porta Thunderbolt 3 ou PCIe do seu computador.
- 2 Caso esteja atualizando o Audio and KeyCode Reader, conecte-o ao seu computador com um cabo USB-C.
- 3 Execute o utilitário Cintel Setup e selecione o escâner ou dispositivo de áudio.
- 4 Clique o botão de configurações e vá até a aba "Setup". Se uma atualização estiver disponível, clique no botão "Update".



A aba "Setup" mostra se há uma nova versão de firmware disponível para o Cintel Film Scanner ou Cintel Audio and KeyCode Reader

Agora, o firmware está atualizado, oferecendo os recursos, ajustes e compatibilidade mais recentes.

Kit de Desenvolvimento de Software

A Blackmagic Design oferece um kit de desenvolvimento de software gratuito para o seu digitalizador. O SDK é multiplataforma, portanto o seu software pode ser executado em Mac, Windows ou Linux. O SDK oferece exemplos de aplicações que permitem controlar o seu escâner como no DaVinci Resolve, mas a partir de uma linha de comando.

Você pode usar o Cintel Scanner SDK para desenvolver software para controlar o seu escâner, ajustar configurações, iniciar digitalizações e processar clipes. O DaVinci Resolve Studio é incluído com o seu digitalizador, no entanto, é possível usar o SDK para desenvolver software para executar o seu digitalizador em computadores que possam não satisfazer as especificações recomendadas para o DaVinci Resolve. Para mais informações, consulte a página de desenvolvedores em www.blackmagicdesign.com/br/developer.

O que é HDR?

O Grande Alcance Dinâmico, ou HDR, é uma técnica que combina múltiplas imagens de exposições diferentes para ampliar a faixa dinâmica de uma imagem e aprimorar o desempenho dos ruídos. O digitalizador realiza digitalizações HDR em um processo de duas etapas. A primeira etapa é uma digitalização com a exposição normal. A segunda etapa acontece a uma exposição consideravelmente mais elevada para oferecer mais detalhes sob pouca luz para cópias ou realces para os negativos. Ao combinar as exposições normal e elevada, o resultado é uma imagem com uma profundidade de bits mais alta.



Etapa com exposição normal à esquerda com a etapa com exposição elevada à direita.

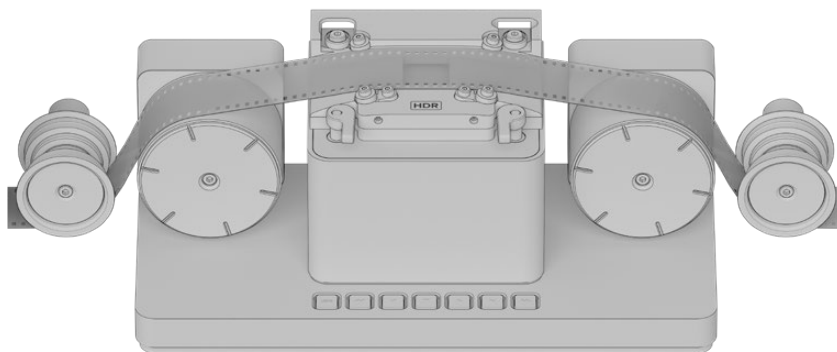


Essas imagens foram digitalizadas a partir do mesmo quadro e ampliadas para evidenciar a diferença entre uma digitalização HDR, à esquerda, e uma digitalização padrão, à direita. As digitalizações HDR exibem menos ruído, cores mais precisas e detalhes de sombras e realces aprimorados.

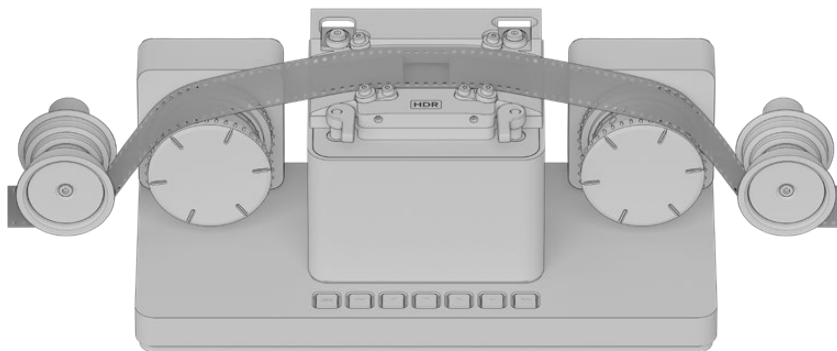
As correções HDR de alta precisão e o estabilizador de imagem alinham a digitalização inicial e a digitalização de exposição elevada com precisão de subpixel usando um filtro de redimensionamento de alta qualidade, que gera um clipe HDR sem artefatos de alinhamento.

Tipos de Cruz de Malta

O Cintel Scanner é equipado com cabrestantes ou roletes dentados dependendo do modelo do digitalizador. Ambos os tipos de cruz de malta giram para avançar ou retroceder o filme e, em seguida, param para alinhar cada quadro precisamente na janela de projeção do sensor de imagem. As cruces de malta são fundamentais para o digitalizador e não podem ser trocadas por um tipo diferente.



Os cabrestantes seguram o filme com uma quantidade moderada de fricção e são cuidadosos com filmes contendo perfurações frágeis ou danificadas



Os roletes dentados têm uma série de dentes que interagem com as perfurações no filme sem entrar em contato com a área da película que contém o quadro da imagem

O rolete dentado principal puxa o filme, enquanto o rolete secundário age como um rolete tensionador para assegurar que o filme esteja sendo transportado sem sobressaltos sobre a janela de projeção. A disposição simétrica dos roletes dentados no Cintel Scanner significa que ele pode trafegar filmes para frente e para trás com o mesmo cuidado e precisão numa vasta gama de velocidades.

Laçando o Filme

Agora que o seu digitalizador e o DaVinci Resolve estão se comunicando, você pode carregar o seu filme.

Acessando o Digitalizador

Abra as portas deslizantes do seu digitalizador.

No painel frontal interno você observará uma bobina de alimentação à esquerda e um bobina de recolhimento à direita. A bobina de alimentação aloja o filme a ser digitalizado e a bobina de recolhimento recebe o filme digitalizado.

Configurando o Bobinamento do Filme

Configure o tipo de bobinamento para que as bobinas girem na direção necessária. Vá até o painel de digitalização de filme no DaVinci Resolve e configure o tipo de bobinamento como "B/A" ao clicar em "B" e "A" nos botões de alimentação e recolhimento, respectivamente.

B/A é o tipo de bobinamento padrão do seu digitalizador, o que faz a bobina de alimentação girar no sentido horário e a bobina de recolhimento girar no sentido anti-horário. Consulte a seção 'Tipos de Bobinamento' neste manual para mais informações.

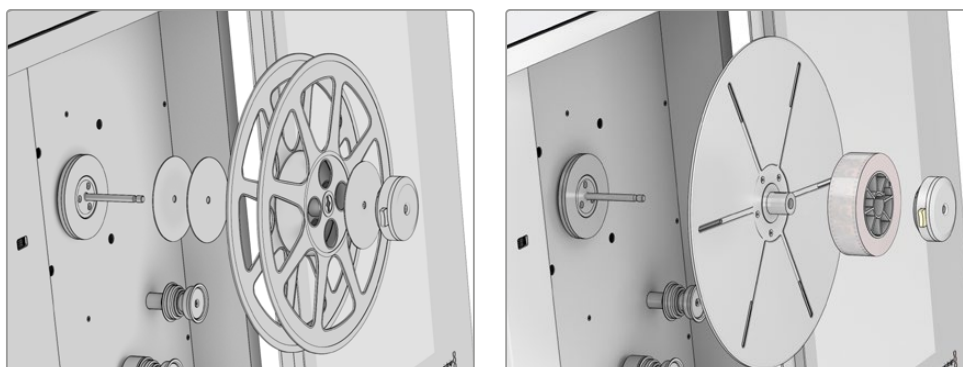
Este também é um bom momento para verificar se as suas configurações são adequadas ao tipo e tamanho do seu filme. Você pode selecionar o tipo de filme e bitola no painel do digitalizador de filme do DaVinci Resolve, assim como 8 mm, 16 mm, 35 mm e várias outras configurações de perfurações.

Preparando a Bobina de Recolhimento

Deslize o núcleo e o batoque da bobina de 75 mm fornecidos no eixo de recolhimento do seu digitalizador. Para aplicar a fixação do batoque, aperte e segure o botão da fixação, empurre-o no eixo até sentir resistência, depois solte o botão e empurre a fixação totalmente até ouvir um clique.

Carregando o Filme

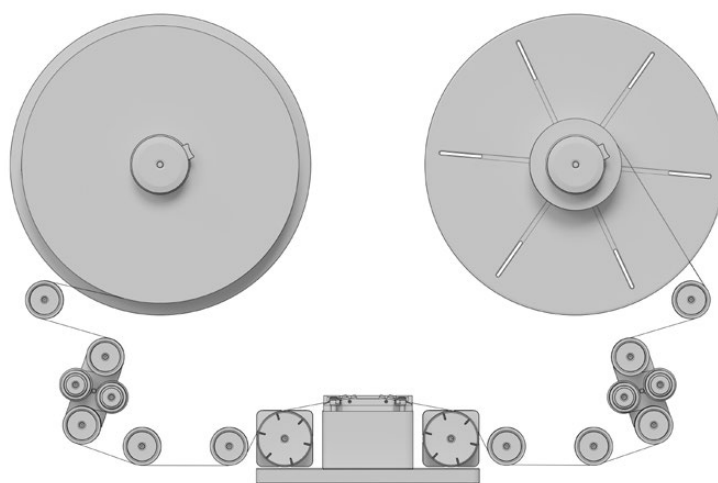
Carregue o rolo de filme ou o batoque no eixo alimentador seguindo o mesmo procedimento do passo 3. Observe que o procedimento é um pouco diferente caso o seu filme esteja em um batoque ou um rolo, e se for de 35 mm, 16 mm ou 8 mm. Por exemplo, ao carregar um batoque, será necessário inserir o prato traseiro. Por outro lado, carregar um rolo requer apenas o uso de separadores.



A ilustração acima mostra o carregamento de um rolo de filme e batoque de 35 mm. Ao carregar rolos de filme, o prato traseiro não é necessário. Basta usar os separadores fornecidos. Ao carregar filmes em um batoque, o prato traseiro é necessário.

Laçando o Filme

Enrole cuidadosamente alguns metros do líder do filme pelos roletes do seu digitalizador usando a gravura abaixo como um guia.



O bobinamento B/A padrão do digitalizador é carregado da parte inferior da bobina de alimentação a parte superior da bobina de recolhimento.

Tensionando o Filme

Para prender seu filme à bobina de recolhimento, insira o extremidade do filme no pequeno entalhe fornecido na bobina, bobine algumas vezes manualmente com cuidado para prender o filme no lugar.

Caso não queira dobrar a ponta do filme dentro do entalhe, você pode usar a fricção do bobinamento em si para prender seu filme na bobina. Também é possível utilizar uma fita adesiva suave.

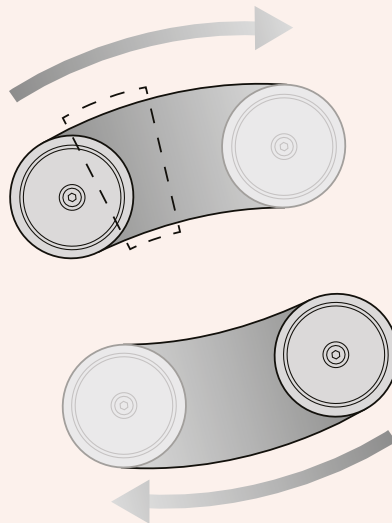
Comece a tensionar ao pressionar o botão “Load” ou girando as bobinas de alimentação e recolhimento manualmente.

Tensionamento Manual

Você notará que os patins abaixo de cada bobina começarão a se mexer à medida que você introduz tensão manualmente, como no diagrama abaixo. Depois que eles estiverem cerca de um terço do caminho no seu intervalo de movimento, segure as bobinas no lugar por um ou dois segundos. O digitalizador detectará o filme preso na bobina de recolhimento e seu recurso de tensionamento será ativado automaticamente, neutralizando o resto da folga.

Se a qualquer momento durante o carregamento manual ou automático você notar um problema, é possível cancelar o procedimento de carregamento pressionando o botão “Load” novamente ou segurando firmemente a bobina de alimentação ou recolhimento.

Seu digitalizador reconhecerá uma ou outra ação e interromperá o carregamento.



Ao tensionar o filme manualmente, você só precisa aplicar tensão suficiente para mover os patins até o ponto certo do intervalo de movimento - quase na metade do caminho. Seu digitalizador neutralizará automaticamente qualquer folga adicional.

Inspeccionando seu Filme

Confira se o filme está laçado corretamente ao pressionar o botão de reprodução no seu digitalizador ou ao clicar o botão de reprodução no painel de digitalização do DaVinci Resolve. Ao visualizar a imagem do filme sendo reproduzida no visualizador ou em um monitor HDMI, se conectado, você terá a confirmação de que o digitalizador está funcionando corretamente.

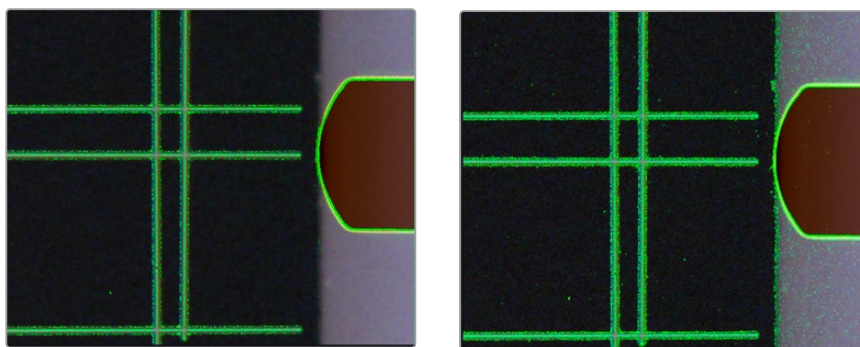
Dependendo do tipo de bobinamento usado, você verá que a imagem está invertida horizontalmente ou verticalmente. Você pode corrigir isto ao selecionar o tipo de filme adequado. Por exemplo, filme negativo pode aparecer invertido da esquerda para direita até que a configuração “Negativo” seja selecionada. Se não for possível corrigir isso selecionando o tipo de filme, talvez seja necessário recarregar o filme utilizando um tipo de bobinamento diferente.

Para averiguar a condição do filme digitalizado no Cintel Scanner G3 HDR+, pressione e segure o botão para encerrar ou reproduzir por dois segundos para ativar o “Modo de Inspeção”, que diminuirá a intensidade da fonte de luz no filme para que você veja defeitos, sujeira ou arranhões no filme. Isso permitirá que você examine o filme adequadamente e considere a necessidade de limpeza ou reparo do carretel do filme.

Foco

Assim como o foco da lente em uma câmera, você precisará ajustar o foco da imagem do filme projetada no sensor do seu digitalizador. O anel de foco está localizado na coluna central do digitalizador. A maneira mais precisa de conseguir o foco perfeito é utilizando o recurso “Assistência de Foco” no painel de digitalização do DaVinci Resolve. Como o recurso de pico de foco das câmeras Blackmagic, o assistente de foco exibe uma borda verde em torno dos pontos mais nítidos na sua imagem. Isso permite que você ajuste o foco com facilidade até que os realces verdes estejam no seu máximo.

Basta habilitar o recurso de assistência de foco marcando a caixa de seleção no painel de digitalização do DaVinci Resolve e assistir a saída HDMI do seu Cintel Scanner, ou o visualizador no painel de digitalização, à medida que você ajusta o anel de foco. A granulação do filme é um indicador excelente. Quando a granulação no filme estiver registrando as bordas verdes no seu máximo, a imagem estará com o foco perfeito.



A granulação de filme é ideal para definir foco de alta precisão utilizando o recurso de assistência de foco. No exemplo acima, você pode ver que a imagem está fora de foco na esquerda e em foco na direita. O recurso de assistência de foco pode ser visto salientando a granulação, mais visível dentro da área da perfuração.

O recurso de assistência de foco funciona melhor ao utilizar filmes de tipo negativo, já que o negativo geralmente é mais nítido com a maioria dos detalhes de granulação.

Para tirar proveito máximo do recurso de assistência de foco, configure o visualizador para a resolução máxima. Basta clicar nas opções de configuração no canto superior direito do visualizador e selecionar “Resolução Máxima” no menu da pré-visualização.

É importante mencionar que a pré-visualização de resolução máxima permanecerá configurada até que você opte por desabilitá-la. Essa configuração demanda bastante da GPU e pode afetar o desempenho do visualizador; por exemplo, pode haver algum atraso nos quadros. Portanto, pode ser útil utilizar a resolução máxima para verificar o foco e, em seguida, desativá-la para obter um melhor desempenho.

Fechando as Portas do Digitalizador

Para digitalizações de melhor qualidade, recomendamos fechar as portas deslizantes do seu escâner. As portas foram desenvolvidas para se fecharem suavemente quando estiverem quase fechadas, portanto tudo que você precisa fazer é deslizá-las em direção uma a outra até sentir o mecanismo de mola assumir o controle. Quando fechadas, as portas impedirão que luzes indesejadas alcancem a janela de projeção.

A fonte de luz de alta qualidade do seu digitalizador elimina a poluição de luz em praticamente todos os espaços de trabalho bem iluminados. Como o filme é bastante reluzente, ele pode refletir as luzes do teto que aparecerão como borrões na sua captura. É possível evitar isso ao manter as portas do escâner fechadas durante a digitalização.

Agora que você laçou seu filme, configurou a tensão, focalizou sua imagem e fechou as portas do digitalizador, é possível iniciar a captação.

Consulte a seção sobre o Cintel no manual de referência do DaVinci Resolve para detalhes sobre a calibração da fonte de luz, configuração do estabilizador e as configurações da paleta de captura para a captação de imagens. O manual de referência do DaVinci Resolve também detalha como sincronizar áudio óptico e demonstra como você pode gerenciar sua captura ao digitalizar.

Caso esteja buscando informações sobre como manter e reparar o seu digitalizador, incluindo informações detalhadas sobre as especificações técnicas, consulte as seções 'Manutenção' e 'Especificações' mais ao fim deste manual.

Utilizando seu Digitalizador

Esta seção do manual mostra como carregar diferentes tipos de bobinamento para filmes de 8 mm e 16 mm, ensina como instalar e ajustar os gate kits de 8 mm e 16 mm opcionais e descreve como usar os controles de transporte local no Cintel Scanner.

Tipos de Bobinamento

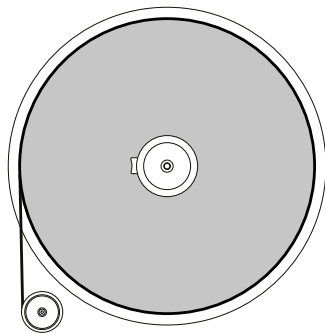
O tipo de bobinamento se refere à posição de carregamento e descarregamento, além da direção da rotação do filme nas bobinas de alimentação e recolhimento do seu digitalizador. Como você pode ver no diagrama abaixo, um bobinamento "A" se refere ao carregamento/d Descarregamento a partir da parte superior da bobina, enquanto o tipo B é carregado ou descarregado da parte inferior. Isso é válido tanto para a bobina de alimentação quanto de recolhimento.

O tipo de bobinamento padrão do seu digitalizador é o bobinamento B/A, ou seja, a bobina de alimentação descarrega da parte inferior e a bobina de recolhimento carrega por cima. Se o filme com o qual estiver trabalhando tiver sido enrolado de outra forma, outras combinações de bobinamento A e B são suportadas; basta selecionar o tipo de bobinamento adequado no painel de digitalização do DaVinci Resolve.

O tipo de bobinamento afeta o sentido da rotação de cada bobina, a posição das informações de áudio e perfurações e se o seu filme se deslocará pela placa guia com o lado da emulsão para cima ou para baixo, portanto é importante usar a combinação adequada para o seu projeto.

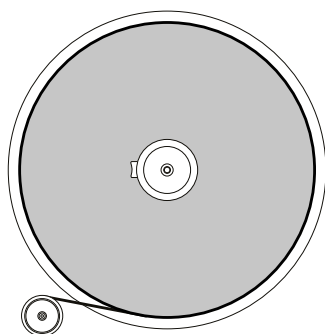
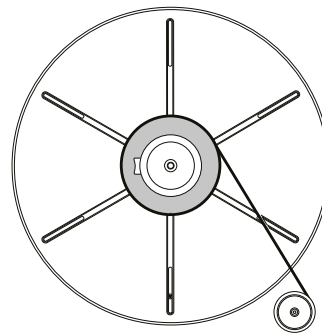
Selecione o tipo de bobinamento correto nas configurações do painel de digitalização do DaVinci Resolve.

Bobina de Alimentação

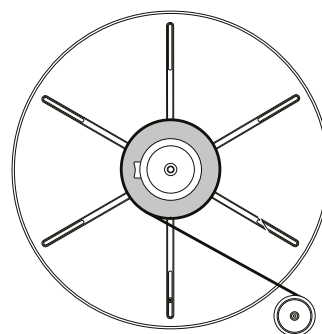


Bobinamento A

Bobina de Recolhimento



Bobinamento B

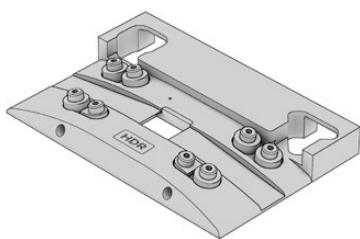


Uma maneira fácil de lembrar a diferença entre os bobinamentos A e B é que bobinamentos A sempre descarregam e recebem o filme na parte superior do rolo ou batoque, enquanto bobinamentos B fazem o mesmo, mas na parte inferior.

Alternando para 16 mm

O Cintel Scanner 16 mm Gate Kit opcional contém todas as peças que serão necessárias com alterações mínimas da configuração do seu digitalizador.

Placa guia
16 mm



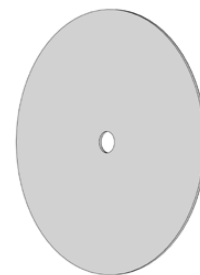
Espaçador
interno 16 mm



Espaçador
externo



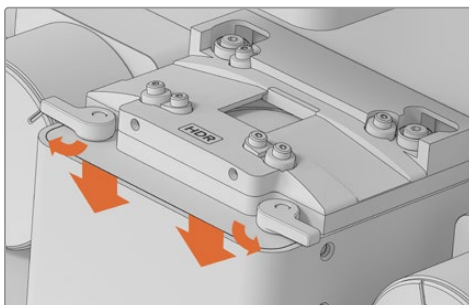
Espaçador
1 mm



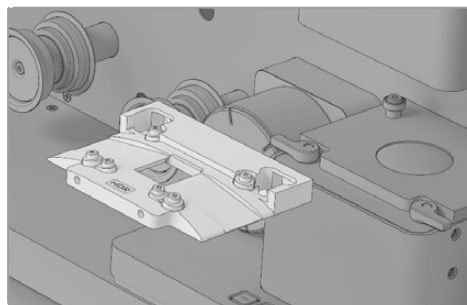
O kit de 16 mm contém uma placa guia de 16 mm, dois espaçadores internos de 16 mm, dois espaçadores externos de 16 mm e quatro espaçadores de 1 mm.

Trocando a Placa Guia

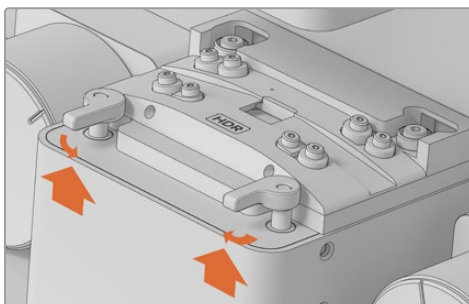
Troque a placa guia de 35 mm pela de 16 mm ao empurrar as alavancas de retenção na frente da janela para baixo e virando-as para fora. Agora, retire a placa guia de 35 mm e substitua com a placa de 16 mm. Ao fixar uma placa guia, certifique-se de as alavancas de retenção estejam completamente levantadas antes de virá-las para dentro, caso contrário a placa poderá não se encaixar corretamente.



Ao remover a placa guia será necessário empurrar as alavancas para baixo e depois girá-las para fora



Removendo a placa guia de 35 mm para instalar a janela de 16 mm



Para fixar uma placa guia levante as alavancas de retenção completamente e gire-as para dentro

Inserindo o Espaçador Interno de 16 mm

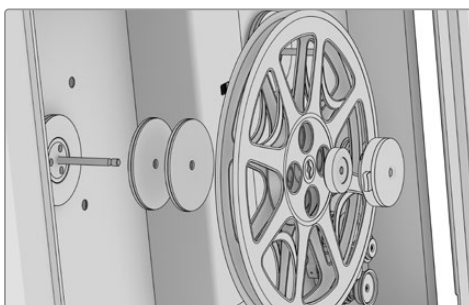
Insira o espaçador emborrachado de 16 mm na base das bobinas de alimentação e recolhimento. O espaçador emborrachado se encaixa com o lado ranhurado para dentro antes de um prato traseiro, batoque ou rolo.

Espaçadores Adicionais Opcionais

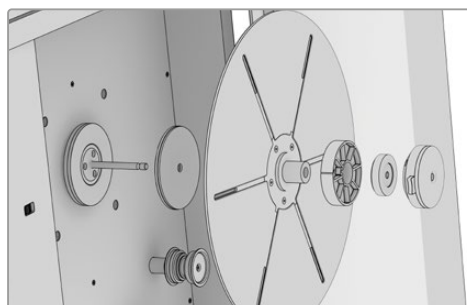
Espaçadores emborrachados de 1 mm adicionais são incluídos no 16 mm Gate Kit ao montar um rolo. Você pode usá-los se precisar ajustar o alinhamento do filme com os roletes do seu digitalizador.

Armando seu Filme

Depois de encaixar seu batoque ou rolo de 16 mm na bobina de alimentação e um prato traseiro e batoque na bobina de recolhimento, será necessário instalar o espaçador externo para fixar as bobinas. O espaçador tem um entalhe e um anel de borracha no seu lado interno para que se prenda aos batoques ou rolos, respectivamente. Depois que estiver no lugar, prenda as bobinas como faria normalmente.



Montagem do carretel mostrada a partir do eixo para fora inclui 2 espaçadores internos de 16 mm, carretel de 16 mm, espaçador externo e fixador do batoque.



Montagem do batoque mostrada a partir do eixo para fora inclui espaçador interno de 16 mm, prato traseiro, batoque de 16 mm, espaçador externo e fixador do batoque.

Laçando

Complete o procedimento de laçamento como faria para um filme de 35 mm. Antes de pressionar “Load” ou tensionar manualmente o seu filme de 16 mm, certifique-se de que o filme esteja rosqueado corretamente sobre os roletes dentados para evitar que a película seja danificada.

Alternando para 8 mm

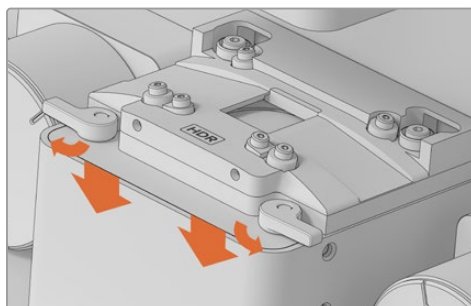
O Cintel Scanner 8 mm Gate Kit opcional contém todas as peças que serão necessárias com alterações mínimas da configuração do seu digitalizador.



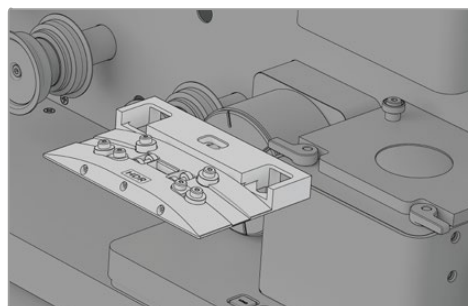
O kit de 8 mm contém a abertura de 8 mm, dois espaçadores internos de 8 mm, dois espaçadores externos, quatro espaçadores de 1 mm e dois adaptadores de rolo 8 mm para Super 8 mm.

Substituindo a Placa Guia pela Abertura de 8 mm

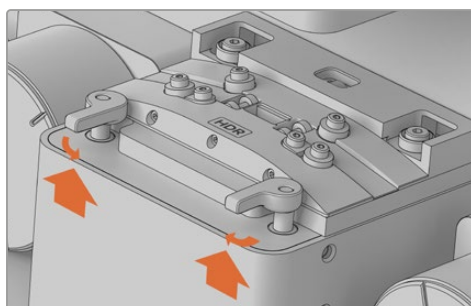
Troque a placa guia pela abertura de 8 mm ao empurrar as alavancas de retenção na frente da placa para baixo e girando-as para fora. Agora, remova e substitua-a pela abertura de 8 mm. Ao fixar a abertura, certifique-se de as alavancas de retenção estejam completamente levantadas antes de girá-las para dentro, caso contrário a abertura poderá não se encaixar corretamente.



Ao remover a placa guia será necessário empurrar as alavancas para baixo e depois girá-las para fora



Removendo a placa guia de 35 mm para instalar a abertura de 8 mm



Para fixar a abertura, levante as alavancas de retenção completamente e gire-as para dentro

Inserindo o Espaçador Interno de 8 mm

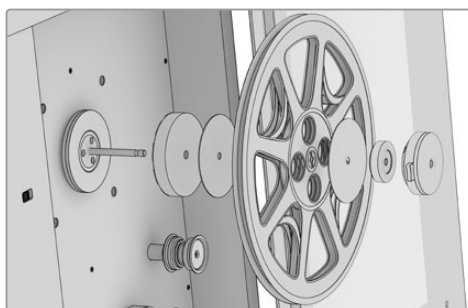
Insira o espaçador interno metálico de 8 mm na base das bobinas de alimentação e recolhimento. O espaçador de borracha deve ser posicionado com a parte ranhurada para dentro, antes de colocar um rolo.

Espaçadores Adicionais Opcionais

Espaçadores de borracha adicionais de 1 mm estão incluídos no kit da abertura de 8 mm para serem usados ao montar tipos de rolos diferentes. Você pode usar esses espaçadores em qualquer lado do rolo conforme necessário, se precisar ajustar o alinhamento do rolo de filme com os roletes do seu digitalizador.

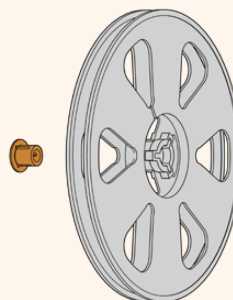
Armando seu Filme

Após montar seu rolo de 8 mm na bobina de alimentação e um rolo de filme vazio na bobina de recolhimento, será necessário instalar o espaçador externo para fixar as bobinas. Depois que estiverem no lugar, fixe os rolos normalmente.



Montagem do rolo mostrada do eixo para fora inclui espaçador interno de 8 mm, espaçador de 1 mm, rolo de 8 mm, espaçador de 1 mm, espaçador externo e fixador do batoque.

DICA Ao carregar filmes Super 8 mm, encaixe os adaptadores de Super 8 mm fornecidos em cada rolo. Os adaptadores garantem que o rolo seja montado corretamente no eixo.

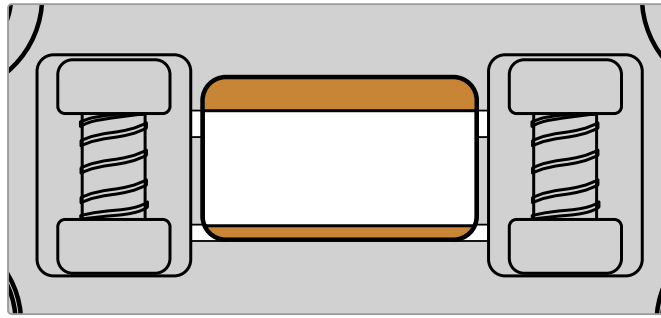


Laçando

Complete o procedimento de laçamento como faria para um filme de 35 mm. Antes de pressionar "Load" ou tensionar manualmente o seu filme de 8 mm, verifique se o filme está devidamente encaixado sobre os roletes dentados para evitar que seja danificado.

Alternando entre Bitolas de Filme 8 mm

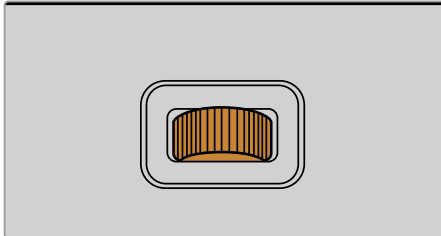
A abertura opcional de 8 mm inclui obturadores de abertura ajustáveis para alternar entre os formatos de filme de 8 mm Padrão, Super 8 mm e Max 8 mm. Ajustar os obturadores de abertura para a área de imagem não ativa do filme reduz os reflexos nas bordas do filme e ajuda a otimizar as regiões de rastreamento para a estabilidade da imagem.



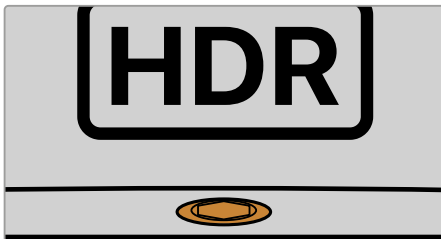
A abertura de 8 mm tem obturadores de abertura ajustáveis.

Para facilitar os ajustes, há linhas de referência brancas na parte superior da abertura indicando o alinhamento para cada bitola de filme. Essas linhas de referência são para orientação, pois o filme pode apresentar encolhimento ou variações na abertura da câmera. Para um ajuste final preciso, é possível carregar uma amostra do filme e monitorar a exibição local HDMI ou a pré-visualização no DaVinci Resolve.

Para ajustar os obturadores da abertura:

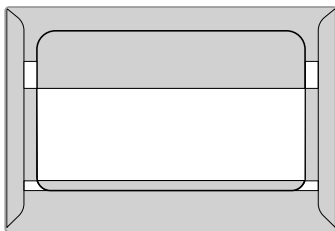


Utilize a roda de ajuste localizada na parte traseira da abertura para ajustar o obturador do lado superior das perfurações. Isso permite alternar entre filmes 8 mm Padrão e Super 8 mm.

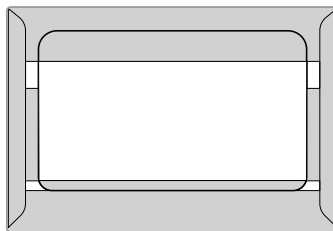


Usando uma chave Allen de 2 mm, gire o parafuso central na parte frontal da abertura para ajustar o obturador inferior, do lado oposto. O ajuste desse obturador permite alternar entre filmes Super 8 mm e Max 8 mm.

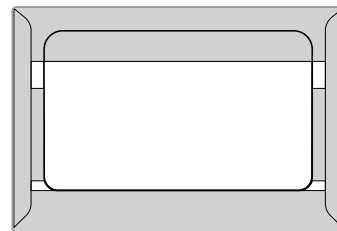
As ilustrações abaixo mostram os obturadores da abertura ajustados para filme de 8 mm Padrão, Super 8 mm e Max 8 mm:



8 mm Padrão



Super 8 mm



Max 8 mm

Após ajustar os obturadores da abertura, você pode carregar uma amostra de filme e realizar os ajustes finais para alinhar os obturadores da abertura com a área de imagem não ativa do filme.



A configuração incorreta mostra se os obturadores da abertura estão muito amplos, resultando em áreas claras em ambos os lados da imagem.



A configuração incorreta mostra se os obturadores da abertura estão muito estreitos, resultando em áreas claras em ambos os lados da imagem.

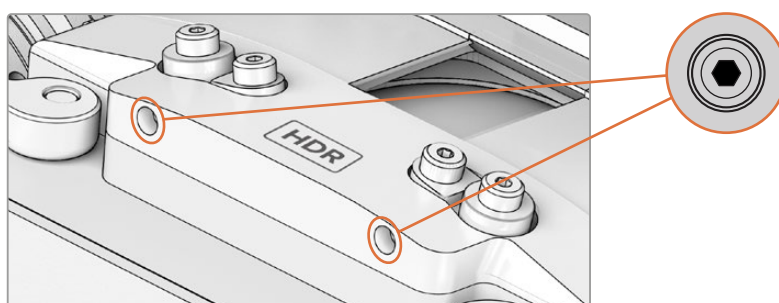


A configuração correta mostra se os obturadores da abertura estão ajustados corretamente até a borda da área de imagem não ativa do filme.

Parafusos de Tensão do Caminho do Filme

Os quatro rolamentos na placa guia mantêm o filme se movendo em uma trajetória definida e ajudam a minimizar oscilações na abertura. Se alguns dos rolamentos não estiverem entrando em contato com o filme durante uma digitalização, a tensão pode ser ajustada. Para fazer isso, aperte levemente os parafusos de tensão M4 na parte frontal da placa guia ou da abertura de 8 mm utilizando uma chave hexagonal de 2 mm.

É importante observar que se tensão excessiva for aplicada, ela poderá alterar ligeiramente a posição da imagem, o que pode afetar a qualidade da digitalização. Se isso acontecer, basta reverter seus ajustes de tensão até que a sua digitalização retorne ao normal.



Os parafusos de tensão do caminho do filme estão localizados na parte frontal da abertura de 8 mm e das placas guias de 16 mm e 35 mm.

Controles de Reprodução

Os controles de reprodução a seguir estão disponíveis no DaVinci Resolve e no seu digitalizador.



Seu digitalizador tem controles integrados para carregamento, descarregamento e pré-visualização de digitalizações



Load

Pressionar "Load" tensionará o filme carregado nas bobinas de alimentação e recolhimento do seu digitalizador, como mencionado na seção 'Laçando o Filme'.

Pressionar "Load" depois que o seu filme está tensionado adequadamente descarregará o filme ao retornar os patins para a sua posição de folga.



Retroceder

Pressione "Retroceder" para rebobinar o seu filme de volta à bobina de alimentação.

Pressionar este botão uma vez rebobinará o seu filme rapidamente até que ele alcance o limite de uma bobina de 75 mm completamente carregada, momento no qual ele irá parar. Pressione "Retroceder" novamente para rebobinar lentamente o restante do seu filme à bobina de alimentação e descarregar seu digitalizador.

Caso esteja usando uma bobina de 50 mm, seu digitalizador inicialmente irá parar no limite de 75 mm. Pressionar "Retroceder" uma segunda vez rebobinará lentamente até o ponto ao qual um carretel de 75 mm deveria ter sido rebobinado. Se o seu digitalizador detectar que ainda há filme carregado neste ponto, ele retomará a rebobinagem rapidamente até chegar ao limite de 50 mm, quando irá parar novamente. Pressione "Retroceder" uma terceira vez para rebobinar um carretel de 50 mm. Para rolos de filme de 8 mm, os limites são programados para diâmetros centrais de rolos de filme de 63 mm ou 32 mm, respectivamente.

Devido à raridade dos carretéis de 100 mm, seu digitalizador não é programado para parar antes de chegar ao limite de 100 mm. Se você estiver usando um carretel de 100 mm, tome cuidado com o método de carregamento do filme na bobina de recolhimento. Utilize o entalhe fornecido, ou caso não queira dobrar a ponta do filme dentro do entalhe, é possível usar a fricção do filme bobinando sobre si mesmo. Evite utilizar fita adesiva ao carregar carretéis de 100 mm para assegurar que seu carretel seja descarregado sem problemas.



Retroceder um Quadro

Rebobina o filme em um quadro. Também é possível manter o botão "Retroceder um Quadro" pressionado para reproduzir o filme de trás para frente em baixa velocidade.



Parar

Para a reprodução, avanço e retrocesso.



Reproduzir

Reproduz o filme. A taxa de quadro padrão é 24 quadros por segundo. É possível definir a taxa de quadro de reprodução e reproduzir no sentido inverso no painel de digitalização do DaVinci Resolve.



Avançar um Quadro

Avança o filme em um quadro. Também é possível manter o botão “Avançar um Quadro” pressionado para reproduzir o filme em baixa velocidade.



Avanço Rápido

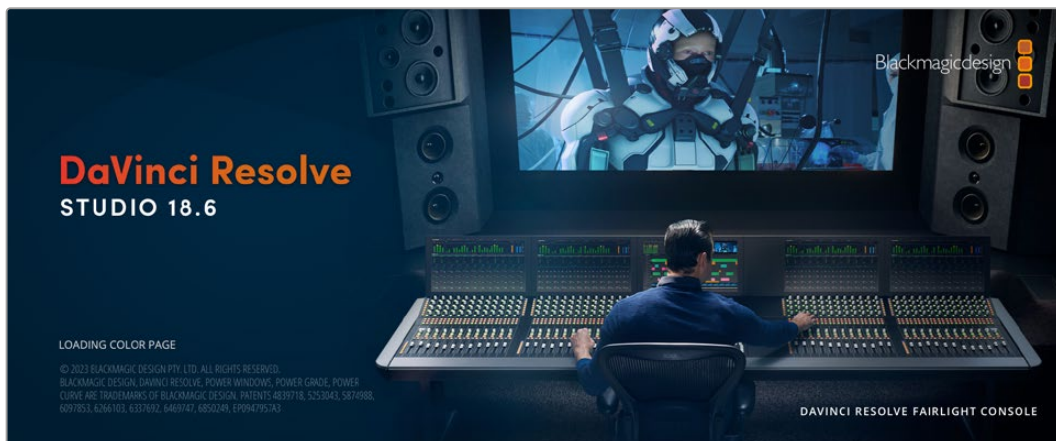
Avança o filme rapidamente à bobina de recolhimento. A ação de parar acontece da mesma forma que o retrocesso para carretéis de 50, 75 e 100 mm.

Quando você mantém o botão “Avançar um Quadro” ou “Retroceder um Quadro” pressionado, o digitalizador reproduz para frente ou para trás a quatro quadros por segundo. Você pode utilizar os mesmos controle de transporte para avançar e voltar no painel de digitalização do DaVinci Resolve ao clicar e segurar os botões com o seu mouse.

Modo de Espera

Quando inativo, seu digitalizador entrará no modo de espera para conservar a longevidade da fonte de luz. Isso acontece depois de 15 minutos quando conectado via Thunderbolt ou 1,5 minutos quando não há conexão com o software. Seu digitalizador sinalizará que está entrando no modo de espera quando a fonte de luz piscar em verde.

Captando com o DaVinci Resolve

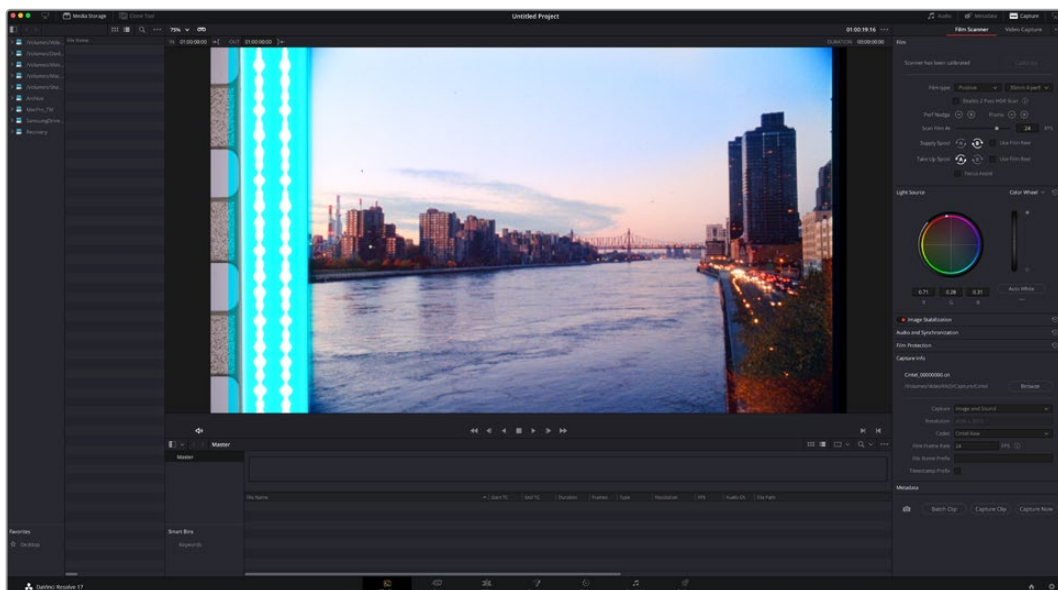


Esta seção do manual mostra como utilizar os recursos e configurações no painel de digitalização do DaVinci Resolve para controlar o seu digitalizador. Por exemplo, calibrar o seu digitalizador, ajustar a intensidade da fonte de luz e a temperatura de cor, configurar a estabilização de imagem, entre outros. Você pode inclusive definir com quanto cuidado seu Cintel Scanner deve manusear o filme, que pode ter se fragilizado com o tempo.

DICA O DaVinci Resolve salva todas as configurações do digitalizador no seu projeto atual.

Interface do Cintel Scanner

Clique no botão “Captar” na barra de ferramentas superior da tela no DaVinci Resolve para configurar que o seu Cintel Scanner seja controlado pela página Mídias. Abra o painel de digitalização do DaVinci Resolve para configurar, calibrar e selecionar as opções para catalogar ou digitalizar um intervalo do rolo de filme enrolado no momento. Caso queira mais espaço para visualizar os controles do Cintel Scanner, clique no botão de altura total que fica na extremidade direita da barra de ferramentas da interface e desabilite o painel de metadados.



Controles do Cintel Scanner na página 'Mídias'

Controles de Transporte

Os controles de transporte abaixo do visualizador, semelhantes na aparência daqueles usados no modo de reprodução, agora funcionam para controlar o Cintel Scanner. Controles adicionais aparecem para avançar ou retroceder um quadro por vez.

Controles de Entrada e Saída

No modo Cintel Scanner, os botões de entrada e saída à direita dos controles de transporte definem um intervalo do rolo de filme para a captação.

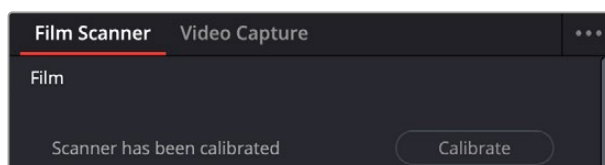
Os grupos de configurações a seguir aparecem à direita do visualizador da página de mídias para digitalizar clipes para o pool de mídia no modo Cintel Scanner.

Controles de Filme

Os controles de filme dão opções para calibrar a óptica do digitalizador, selecionar o tipo de filme, ajustar o alinhamento do quadro, a velocidade da digitalização e a direção do bobinamento do rolo, escolher o tipo de bobina e ativar ou desativar o recurso de assistência de foco.

Calibração

Permite calibrar o sistema óptico do digitalizador para eliminar manchas ópticas ou poeira que não podem ser removidas. Lembre-se de que este recurso não remove poeira do filme em si.



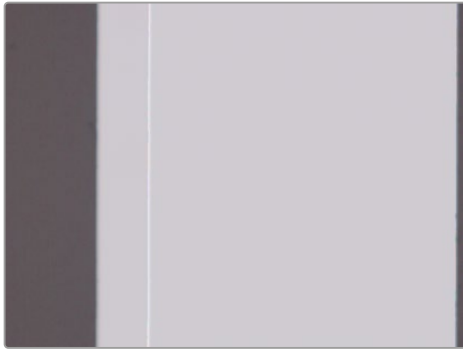
O botão de calibração pode ser utilizado para ajudar a remover poeira ou pequenas manchas do sistema óptico do Cintel Scanner

Embora seja recomendado borrifar e espanar o sistema óptico antes de digitalizar material novo, é possível que, com o tempo, algumas manchas no sistema óptico não sejam removíveis, neste caso, usar o botão de calibração as elimina da imagem digitalizada.

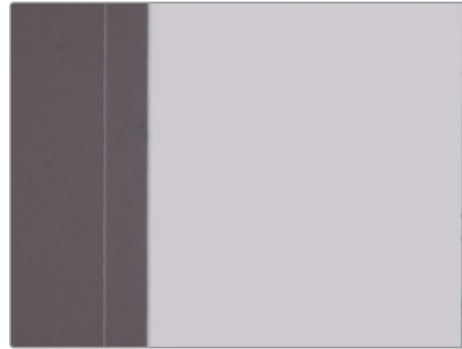
Calibre o sistema óptico com a placa guia instalada e corretamente alinhada, pois isso auxilia na estabilização e oferece imagens de melhor qualidade.

Para oferecer suporte a tipos de filmes com bitolas menores, o botão de calibração também analisa a abertura instalada e ajusta a imagem captada para uma referência de dados. Para possibilitar isso, o processo de calibração deve ser executado a cada troca de abertura, sem filme na abertura, para garantir o melhor desempenho.

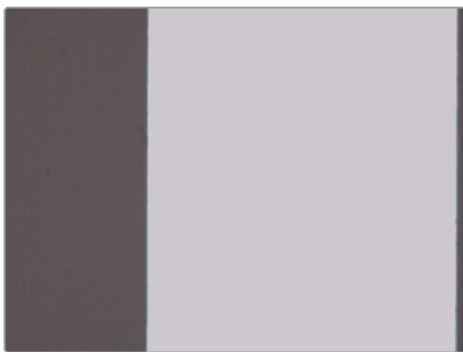
Se estiver usando a abertura de 8 mm e tiver ajustado os obturadores da abertura para alternar para uma bitola de filme de 8 mm diferente, será necessário repetir o processo de calibração para evitar uma “imagem fantasma” da calibração anterior.



Calibração incorreta mostra filme Super 8 mm com uma calibração para 8 mm Padrão



Calibração incorreta mostra filme 8 mm Padrão com uma calibração para Super 8 mm

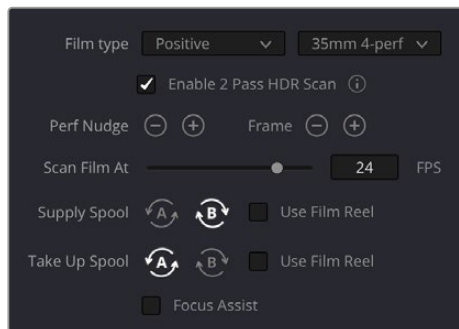


Calibração correta para um filme 8 mm Padrão

Tipo de Filme

Permite selecionar o tipo de filme que você está digitalizando. Para filmes coloridos, assim como para filmes em preto e branco, as opções são positivo, negativo, interpositivo e internegativo. A digitalização HDR oferece uma melhoria para todos esses tipos de filme. Selecione o tipo de filme que está sendo digitalizado, seja 35 mm 2, 3 e 4 perfurações, 16 mm, Super 8 mm e 8 mm. O digitalizador detecta automaticamente se o filme é 35 mm, 16 mm ou 8 mm. Para a digitalização de 8 mm, o padrão é configurado para Super 8 mm. Ao digitalizar 8 mm padrão, será necessário configurar seu digitalizador manualmente para esse tipo específico de filme.

Ao digitalizar filme interpositivo e internegativo no Cintel Scanner e Cintel Scanner G2, a densidade aumentada do filme requer durações de pulso ligeiramente prolongadas da fonte de luz. Geralmente, isso não afeta a digitalização, mas, uma ligeira redução na resolução pode ocorrer em digitalizações acima de 12 quadros por segundo. Caso perceba uma diferença na resolução, basta reduzir sua velocidade de digitalização para 12 quadros por segundo ou menos.



Controles do tipo de filme na página Mídias

Habilitar Digitalização HDR de 2 Passagens

Habilita captação HDR com passagem múltipla. É importante realizar um “Preto Automático” ou “Branco Automático” em um quadro com ampla faixa dinâmica, pois isso determina os níveis de exposição altos e normais do quadro selecionado.

Deslocamento de Perf

Utilizado para fazer ajustes finos da posição da perfuração em relação à abertura da janela do digitalizador. As teclas Comando-J deslocam para cima e Comando-L deslocam para baixo.

Quadro

Estes botões precisam ser apertados e segurados para serem ativados. Quando habilitados, o filme avança lentamente para mover o quadro para cima ou para baixo e quando soltos o filme para no lugar. Isso é útil para alinhar o quadro do filme com o sensor do digitalizador. Ao utilizar os botões “Deslocamento de Perf” e “Fotograma”, o objetivo é alinhar quadro visível do filme para que a parte inferior do quadro anterior e a parte superior do quadro seguinte estejam visíveis apenas na parte superior e inferior do visualizador e o fotograma atual esteja centralizado verticalmente.

É importante assegurar que a imagem no visualizador não esteja ampliada ao fazer isto. As teclas Comando-Seta Esquerda no seu teclado movem o quadro para cima e Comando-Seta Direita movem o quadro para baixo.

Velocidade da Digitalização

Com desempenho de disco adequado, você será capaz de digitalizar a 30 fps. Todavia, se estiver digitalizando para uma unidade lenta, é possível reduzir a velocidade da digitalização para uma taxa de quadro adequada para a sua estação de trabalho sem descartar quadros.

Carretel de Alimentação

Define a direção do bobinamento da bobina de alimentação do lado esquerdo. Apesar da detecção automática prevenir a operação incorreta, você deve configurar a direção do bobinamento manualmente baseado na maneira que cada rolo está enrolado.

Carretel Receptor

Define a direção do bobinamento da bobina de recolhimento do lado direito. Apesar da detecção automática prevenir a operação incorreta, você deve configurar a direção do bobinamento manualmente baseado na maneira que cada rolo está enrolado.

Usar Rolo do Filme

Pequenos rolos de filme têm peso e inércia diferentes se comparados aos carretéis maiores, o que pode afetar o sistema de transporte. Marque essa caixa para alternar para configurações que oferecem estabilidade otimizada para rolos de filme menores.

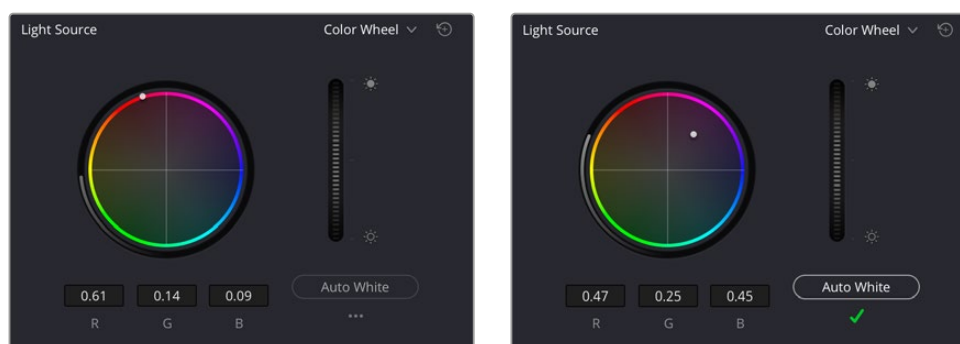
Assistente de Foco

Habilita o pico da luminância na saída de monitor HDMI do seu digitalizador e também do visualizador interno no painel de digitalização do DaVinci Resolve para facilitar os ajustes de foco otimizados.

Ajustando a Fonte de Luz

Esses controles permitem ajustar a fonte de luz do seu Cintel Scanner para calibrar a densidade mínima ideal (DMin). A densidade mínima (DMin) representa o valor mínimo digitalizado, somado à temperatura de cor do material digitalizado. Ajustar as configurações da fonte de luz corretamente garantirá digitalizações na melhor qualidade e sem perda dos dados da imagem durante o processo de digitalização. É recomendável verificar as configurações da sua fonte de luz ao alterar filmes para assegurar a qualidade da captação.

Utilize os escopos integrados no DaVinci Resolve para assistência ao configurar sua fonte de luz para os seus ajustes de nível ideais. Os escopos podem ser abertos na página Mídias ao selecionar Área de Trabalho > Escopos de Vídeo > Ativar.



À esquerda, os controles da fonte de luz exibem o status descalibrado padrão da fonte de luz e à direita o status quando a calibração foi bem-sucedida.

Anel Mestre da Fonte de Luz

O anel mestre vertical da fonte de luz fica ao lado do disco de cores e ajusta a intensidade da fonte de luz utilizada para iluminar o filme, aumentando ou diminuindo os canais RGB todos ao mesmo tempo. Para filmes negativos comuns, isso permite ajustar o ponto preto da imagem do filme, que é a parte mais escura da imagem. Em filmes negativos, na verdade, isso se corresponde aos realces da imagem do filme. Ajuste a intensidade da luz para que fique um pouco acima de 95, o valor típico de DMin, de acordo com a medida do histograma nos escopos de vídeo, o que assegura que os realces não serão perdidos em uma conversão Cineon Log. Para filmes positivos, basta ajustar o anel mestre para que nenhuma parte do sinal seja cortada.

Preto Automático e Branco Automático

Analisa o quadro atual exibido no visualizador e faz um ajuste automático para definir o ponto preto para negativo e internegativo usando a área da barra de enquadramento. Para filmes de cópia e interpositivos, o realce mais brilhante da área de imagem será usado para definir o ponto branco, portanto, a seleção do quadro é importante. Alternativamente, para filmes de tipo positivo, você pode utilizar um quadro com marcação perfurada para o branco máximo para assegurar que todos os quadros subsequentes estejam em conformidade. Para filmes positivos, o botão “Preto Automático” se altera para “Branco Automático”.

Indicadores de Status da Fonte de Luz

Esses indicadores abaixo do botão automático permitem saber se a calibração automática de preto ou branco foi bem-sucedida ou se há itens a serem ajustados. Eles também servem como um lembrete útil para recalibrar a fonte de luz LED, assegurando digitalizações de qualidade superior.

	A calibração da fonte de luz ainda não foi realizada.
	A calibração da fonte de luz foi realizada com sucesso.
	Falha na calibração da fonte de luz. Verifique se o tipo de filme correto está selecionado, se o caminho da luz não está obstruído e se um quadro de referência adequado está selecionado. Se necessário, tente avançar o filme e selecionar um quadro de referência alternativo.
	A calibração da fonte de luz equilibrou as cores com sucesso, mas não nos níveis desejados. Como solução, você pode aceitar a digitalização equitativa e otimizar a imagem na página Cor do DaVinci Resolve ou selecionar um quadro de referência alternativo para calibração com uma faixa dinâmica mais ampla.

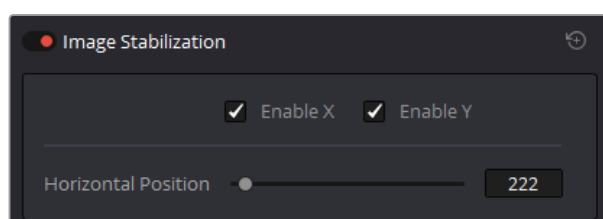
Controles RGB

Por padrão, um controle de balanço de cor permite ajustar todos os três canais de cores variando os valores para alterar a temperatura da fonte de luz utilizada para iluminar o filme, ao mesmo tempo em que os valores ajustados de R, G e B são exibidos nos três campos abaixo. Como opção, é possível alternar este controle para o modo de barras de cores usando o pop-up de modo à direita da barra de títulos da fonte de luz, isso altera este controle para três deslizadores verticais para os canais de cores vermelho, verde e azul.

OBSERVAÇÃO A calibração da fonte de luz é salva quando você troca os rolos. Isso permite digitalizar vários rolos com uma única calibração da fonte de luz tanto em modos SDR quanto HDR. A última calibração da fonte de luz ficará salva até que uma nova calibração seja realizada ou até que o Cintel Scanner seja desligado e ligado novamente.

Estabilização de Imagem

Estes controles permitem que você habilite ou desabilite, além de controlar, a estabilização de imagem para eliminar saltos verticais e ziguezaguear horizontal do filme.



Controles de Estabilização de Imagem na página Mídias

Controle de habilitação/deshabilitação da Estabilização de Imagem

O ponto à esquerda da barra de título “Estabilização de Imagem” permite que você ative ou desative completamente a estabilização de imagem baseada em hardware do seu digitalizador. Embora a estabilização de hardware seja normalmente desejável quando há perfurações de boa qualidade, você pode optar por desabilitar esta opção se a condição das perfurações for ruim e decidir utilizar a estabilização baseada em software no lugar.

Quando a estabilização de imagem está habilitada, uma sobreposição de detecção do eixo X horizontal é exibida no visualizador, destacando a extremidade da perfuração do filme a ser usada como referência para a estabilização. Esta sobreposição é ocultada automaticamente durante a gravação. A estabilização de imagem está habilitada por padrão.

Caixas de seleção Habilitar X e Y

“Habilitar X” e “Habilitar Y” permite selecionar o uso da estabilização de imagem por hardware para corrigir desvios horizontais ou saltos verticais na placa guia, respectivamente. Se os resultados não estiverem satisfatórios com ambos os eixos ativados, você pode desativar o eixo que estiver causando problemas na estabilização e utilizar as ferramentas de estabilização baseadas em software do DaVinci Resolve em vez desses controles.

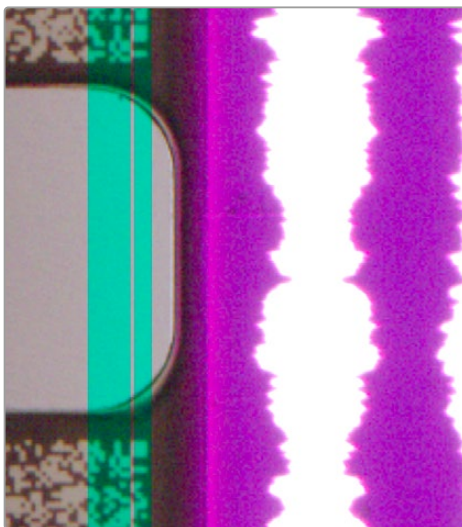
Deslizador de Posição Horizontal

O Cintel Scanner tenta posicionar a sobreposição da detecção de estabilização no lugar ideal, em referência à perfuração exibida no quadro atualmente carregado, para estabilização com os melhores resultados.

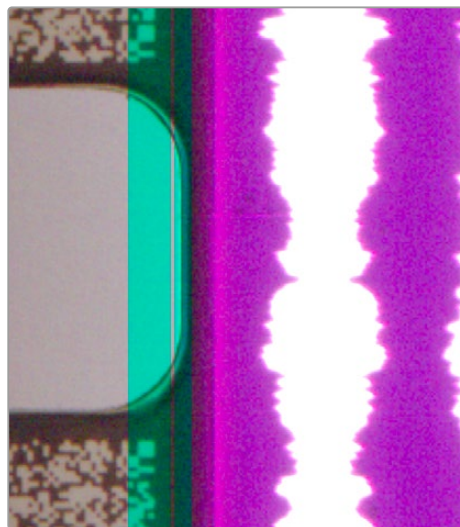
Você notará uma linha fina transparente na sobreposição azul do alinhamento. Para estabilização otimizada, esta linha deve tocar a extremidade da perfuração. Se o posicionamento automático não for ideal, você pode deslocar a sobreposição para uma posição mais adequada manualmente, arrastando-a no visualizador com seu mouse ou usando o deslizador horizontal.

A localização ideal da sobreposição de estabilização deve posicionar a linha clara da sobreposição na extremidade da perfuração, como na imagem do exemplo. Com a sobreposição posicionada corretamente, a estabilização por hardware de desvios no eixo X da janela de projeção é habilitada.

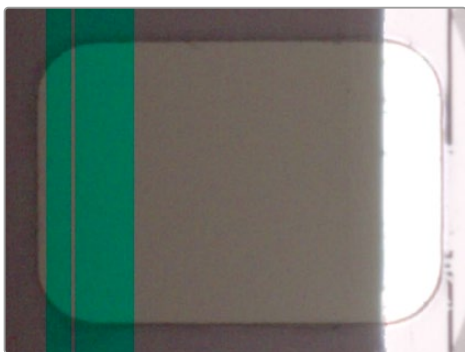
A estabilização de imagem gerencia automaticamente saltos verticais na placa guia quando você seleciona a caixa de verificação “Habilitar Y”. Ajustes adicionais não são necessários e ela funciona em conjunto com a estabilização horizontal.



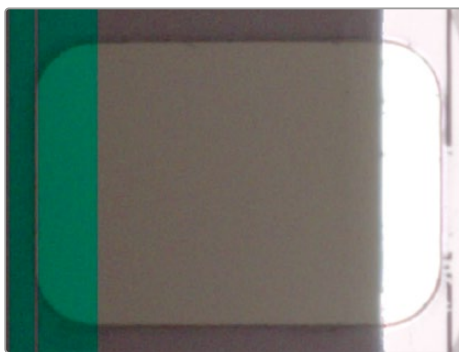
Configuração 35 mm incorreta. Ajustando a posição horizontal da sobreposição de estabilização. A sobreposição não está alinhada com a borda da perfuração.



Configuração 35 mm correta. O controle hardware de estabilização posicionado corretamente sobre uma perfuração no visualizador. A faixa transparente na sobreposição de estabilização toca na borda da perfuração.



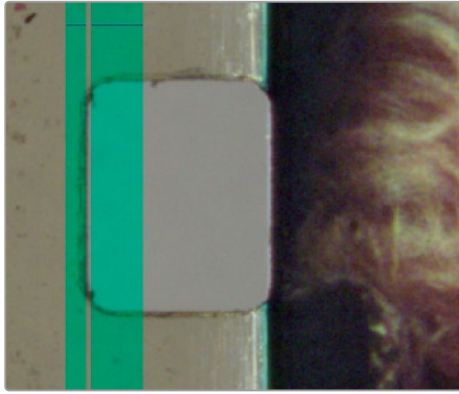
Configuração 16 mm incorreta. A sobreposição não está alinhada com a borda da perfuração. Com a placa guia HDR de 16 mm instalada, o estabilizador se alinha automaticamente com o outro lado da perfuração para evitar interferência com a imagem do filme e aprimorar a estabilidade horizontal. Ao utilizar uma placa guia de 16 mm sem HDR, ela funciona da mesma maneira que uma placa de 35 mm.



Configuração 16 mm correta. Para a sobreposição de estabilização, a posição padrão de alinhamento é na borda esquerda da perfuração, já que ela não é afetada pelo conteúdo da imagem. A faixa transparente na sobreposição de estabilização toca na borda da perfuração corretamente.



Configuração 8 mm incorreta. A sobreposição não está alinhada com a borda da perfuração.



Configuração 8 mm correta. Para a sobreposição de estabilização, a posição padrão do alinhamento é na borda esquerda da perfuração, já que ela não é afetada pelo conteúdo da imagem. A faixa transparente na sobreposição de estabilização toca na borda da perfuração corretamente.

Para conferir cuidadosamente os resultados da estabilização antes da captura, configure o visualizador para a resolução máxima e amplie a região da perfuração para permitir ajustes precisos. Basta clicar nas opções de configurações no canto superior direito do visualizador e selecionar “Visualização em Resolução Máxima” no menu, clicar na escala de zoom no canto superior do visualizador e selecionar “100%”. Essa configuração não afeta o recurso de estabilização, mas habilita a melhor pré-visualização possível para você monitorar o desempenho.

A visualização em resolução máxima é muito intensiva para a GPU e pode resultar em quadros mais lentos. Para obter o melhor desempenho, desabilite a resolução máxima depois de analisar a estabilização. É importante mencionar que a posição da sobreposição será salva nas definições de projeto e não nas configurações do clipe, então, pode ser preciso ajustar múltiplos rolos individualmente.

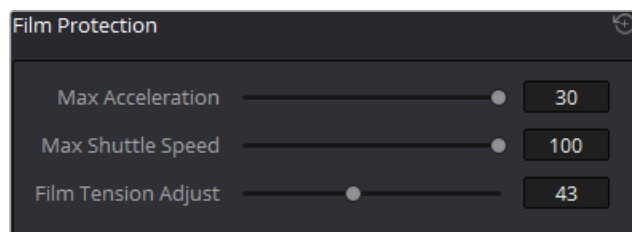
É possível redefinir a sobreposição de detecção para a posição padrão de um determinado tipo de filme através do botão “Redefinir” do painel de estabilização.

Áudio e Sincronização

A paleta “Áudio e Sincronização” contém configurações opcionais para o Cintel Audio and KeyCode Reader. Para mais informações, consulte a seção “Audio and KeyCode Reader Opcional”.

Proteção do Filme

Estes controles são destinados para permitir que filmes frágeis possam ser manuseados cuidadosamente pelo Cintel Scanner. Velocidades de transporte e aceleração rápida podem ser difíceis para imagens de arquivo, portanto é recomendado reduzir esses dois deslizadores dos seus valores padrão sempre que você digitalizar filmes mais antigos.



Os deslizadores de aceleração e velocidade do movimento devem ser reduzidos ao digitalizar filmes de arquivo frágeis mais antigos

OBSERVAÇÃO O deslizador “Ajuste de Tensão do Filme” é disponibilizado ao usar modelos Cintel Scanner com roletes dentados.

Aceleração Máx

Define a alteração máxima na velocidade de digitalização para aumentar ou diminuir de 5 a 30 fps.

Velocidade Máx do Movimento

Altera a velocidade do vaivém de uma parte do filme para outra entre 1 - 100 quadros por segundo para filmes de 35 mm e entre 1 - 200 quadros por segundo para filmes de 16 mm.

Ajuste de Tensão do Filme

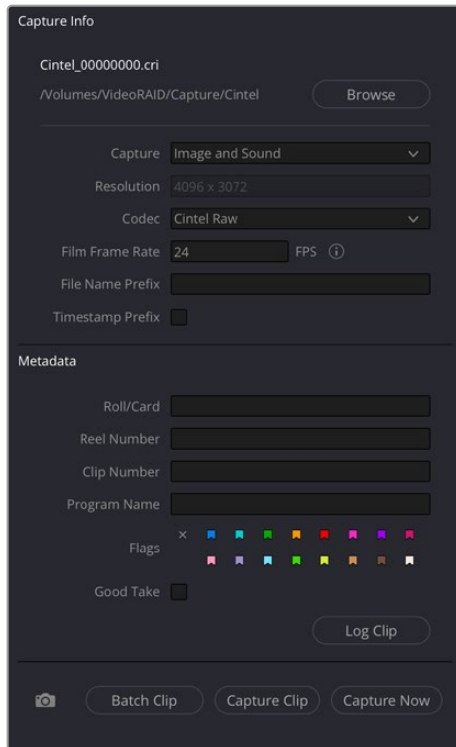
Se o seu Cintel Scanner tiver roletes dentados, esta configuração permite ajustar a quantidade de tensão aplicada aos filmes de 35 mm. Por exemplo, ao carregar filmes de arquivo delicados ou ao compensar pelo encolhimento de filmes. Não há maneira possível de danificar o filme com a configuração do ajuste de tensão do filme. Os valores de ajuste são muito baixos e apenas alterações sutis são necessárias para evitar o tracionamento inadequado dos roletes dentados.

Caso o seu Cintel Scanner tenha cabrestantes, não haverá problemas com o tracionamento dos roletes dentados, portanto, esta configuração estará desabilitada ou não será disponibilizada.

Editando Informações de Captação e Metadados

Quando o DaVinci Resolve é usado em conjunto com o Cintel Scanner, um grupo de campos de metadados aparece na parte inferior do painel de digitalização do software. O painel “Informação de Captação” tem campos de metadados editáveis que descrevem as propriedades da captação, como onde salvar os arquivos, o tipo de codec, taxa de quadro e o formato dos nomes de arquivo. Esses metadados são agregados aos seus clipes e podem ser lidos na página de mídias.

Antes de iniciar a digitalização, pode ser que você queira ajustar algumas das configurações de projeto.



O painel “Informação de Captação” permite especificar os metadados dos seus clipes digitalizados.

Localização da Captação

Antes de iniciar uma sessão de digitalização de filme, navegue até a seção “Informação de Captação” no painel de digitalização do DaVinci Resolve para verificar se os arquivos digitalizados estão sendo salvos no diretório e volume desejados. Clique no botão “Buscar” e selecione uma localização a partir da caixa de diálogo de destino do arquivo. É recomendável fazer isso primeiro, pois é fácil esquecer este passo.

Captar

Quando você tem o Audio and KeyCode Reader encaixado, este menu oferece as opções “Apenas Áudio” para que nenhuma imagem seja captada ou “Imagem e Som”. Como alternativa, você pode captar “Apenas Imagem” se o áudio não for importante.

Resolução

A resolução dos arquivos de captação depende do formato do filme original, portanto este campo não pode ser editado.

Codec

O DaVinci Resolve seleciona o codec “Cintel Raw” para compressão sem perdas por padrão, ou é possível selecionar “Cintel Raw 3:1” para tamanhos de arquivo ainda menores.

Taxa de Quadro do Filme

Especifique a taxa de quadro na qual o filme foi gravado originalmente. O DaVinci Resolve ajusta a taxa de quadro da linha de tempo automaticamente com base nesse valor. Esta configuração não tem relação com as velocidades de captura e transporte.

Ao usar o acessório Audio and KeyCode Reader opcional para digitalizar áudio, o leitor se ajustará a taxa de quadro automaticamente para manter uma taxa de amostragem geral de 48 kHz. A saída do código de tempo é compatível com 16, 24, 25 e 30 fps, e para outras taxas de quadro nenhum sinal de código de tempo é enviado.

Prefixo do Nome de Arquivo

Prefixo para ajudar a identificar a digitalização. Ele pode ser o nome do seu projeto, como o título do filme sendo digitalizado.

Prefixo do Carimbo de Data/Hora

Selecione esta caixa de verificação para adicionar um prefixo às suas digitalizações com carimbo de data e hora, além do prefixo de nome de arquivo que você especificou. Seus cliques serão salvos em subpastas independentes na pasta de destino. Esta caixa de verificação está marcada por padrão.

Caso deseje salvar todos os seus cliques juntos em uma única pasta de destino sem o código de tempo no nome do arquivo, basta desmarcar esta caixa.

OBSERVAÇÃO Caso não crie nomes de captação únicos com o prefixo de código de tempo e os arquivos forem salvos na mesma localização, isso poderá potencialmente substituir arquivos.

Rolo/Cartão, Número de Rolo, Número de Clipe e Nome de Programa

Estas são as maneiras de identificar o clipe com metadados.

Bandeiras

Você pode usar estas bandeiras codificadas por cores para sinalizar cliques.

Tomada Boa

Corresponde aos metadados de “tomada destacada” no pool de mídia.

Registrar Clipe

Adiciona um clipe ao pool de mídia. Após você marcar os pontos de entrada e saída para uma seção desejada para a digitalização e confirmar que os metadados estão corretos, clique em “Registrar Clipe”. Para mais informações, consulte as seções “Logging an Capturing Individual Clips” e “Logging and Capturing Multiple Clips” no manual do DaVinci Resolve.

Clipe em Lotes, Captar Cliques, Captar Agora e Fotograma

Estes botões de digitalização oferecem métodos diferentes para a captação de cliques. Para mais informações sobre os botões de digitalização, consulte a seção ‘Digitalizando Uma ou Mais Seções do Filme’ neste manual.

Fluxos de Trabalho de Digitalização de Filmes

As seções a seguir descrevem como digitalizar filmes usando o DaVinci Resolve e como controlar o Cintel Scanner. Em todas as seções, os recursos descritos na seção anterior serão apresentados na ordem em que você desempenhará cada passo no processo de digitalização.

Antes de Começar

Antes de ligar o seu digitalizador e carregar o filme, você deve primeiramente espanar a placa guia para assegurar que as suas digitalizações estejam tão limpas quanto possível. Isso pode ser feito usando ar comprimido, mas se a janela estiver muito suja, é possível removê-la para limpar com mais cuidado. Depois de fazer isso, ligue o Cintel Scanner, abra o DaVinci Resolve e crie o projeto que você usará para digitalizar o filme e, em seguida, clique no botão “Cintel Scanner” na página de mídias. Agora, clique na aba “Digitalizador de Filme” para selecionar o painel de digitalização do DaVinci Resolve.

Antes de carregar o filme no digitalizador ou fazer qualquer outra coisa, clique no botão “Calibrar” no canto inferior esquerdo do painel de digitalização. Embora você deva sempre espanar a placa guia do digitalizador antes de carregar um novo rolo de filme, clicar neste botão elimina quaisquer manchas irremovíveis no sistema óptico do seu digitalizador das digitalizações que você está prestes a fazer.

Carregando e Alinhando o Filme

Carregue o filme que você deseja digitalizar. Na presença de uma imagem, o digitalizador alinhará o quadro automaticamente. Observe que a imagem pode ser enquadrada incorretamente se você carregar o seu líder em branco primeiro.

Em seguida, selecione o tipo de filme. Caso necessário, utilize os botões “Deslocamento de Perf” e “Fotograma” para aprimorar manualmente o alinhamento da barra de enquadramento com o sensor do digitalizador, de modo que a parte inferior do quadro anterior e a parte superior do próximo quadro estejam apenas visíveis na parte superior e inferior do visualizador, e o quadro atual esteja centralizado verticalmente. É importante assegurar que a imagem no visualizador não esteja ampliada ao fazer isso.

Focalizando o Digitalizador

Assim como é necessário focalizar a lente em uma câmera, será necessário focalizar a imagem do filme no sensor do seu digitalizador. Para alcançar o foco perfeito, ative a caixa de verificação “Assistente de Foco” nas configurações de captura do DaVinci Resolve. Isso superimpõe uma sobreposição de pico de foco sobre a imagem Ultra HD que é transmitida pela saída HDMI do digitalizador e também é exibida na janela de captura do DaVinci Resolve. Para resultados superiores, conecte um monitor Ultra HD ao seu Cintel Scanner para que possa monitorar com a resolução máxima disponível enquanto focaliza.

Com o assistente de foco habilitado, o pico de foco detectará a granulação do filme da imagem digitalizada sempre que o plano do filme estiver com o foco perfeito. Isso permite ao operador focalizar o digitalizador mesmo se a imagem do filme estiver fora de foco. Basta monitorar a saída Ultra HD do digitalizador enquanto gira o anel de foco do Cintel Scanner. Sua imagem estará em foco quando a granulação ocorrendo pela imagem exibir os contornos de pico.

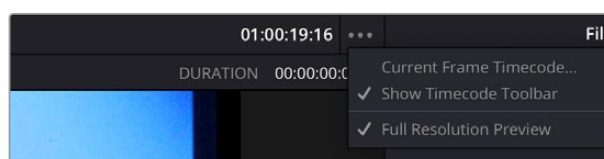
Você pode verificar os ajustes focais feitos verificando as extremidades das perfurações do filme. Quando elas estiverem nítidas, seu filme estará em foco.

Redefinindo o Código de Tempo

Para definir o código de tempo para o rolo que você está prestes a digitalizar, será necessário localizar o quadro zero desse rolo. É prática comum perfurar um pequeno buraco físico dentro do quadro antes do primeiro quadro de filme necessário em um rolo, para usar como uma referência permanente sempre que esse rolo é digitalizado. Ele é chamado de marcador de quadro, furo de rolo do laboratório ou furo de cabeçalho. Sempre que você definir o primeiro quadro do código de tempo para corresponder ao marcador de quadro, as digitalizações subsequentes terão a mesma contagem de quadros que as anteriores, sendo possível redigitalizar e reconformar o mesmo material sempre que necessário.

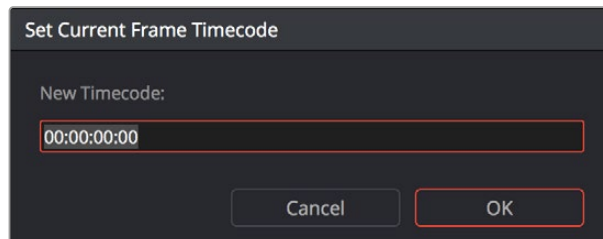
Como redefinir o código de tempo digitalizado no marcador de quadro de um rolo de filme novo:

- 1 Utilize os controles de transporte abaixo do visualizador para localizar o marcador de quadro.
- 2 Clique no menu de opções do visualizador e selecione “Código de Tempo do Quadro Atual”.



Selecionando “Código de Tempo do Quadro Atual” no menu de opções do visualizador

- 3 Insira um valor de código de tempo na caixa de diálogo que aparecerá. Por exemplo, se estiver digitalizando o primeiro rolo de um projeto, você pode inserir 01:00:00:00.



Caixa de diálogo de definição do "Código de Tempo do Quadro Atual"

- 4 Quando terminar, clique em "OK".

O código de tempo não pode ser um valor negativo, portanto não configure o quadro inicial como zero. Outra técnica de organização comum é alterar o número da hora sempre que você trocar rolos, para que coincidam com o número do rolo do filme, o que facilita identificar um clipe digitalizado com o rolo de origem correspondente e o intervalo de quadros.

O Cintel Scanner tem portas integradas para "Interface de Opções" para adicionar hardware opcional no futuro. Isso oferece a capacidade de adicionar recursos opcionais, como um leitor de KeyKode de um negativo de câmera ou áudio magnético/ óptico. Para mais informações, consulte a seção "Audio and KeyKode Reader Opcional".

Escolhendo uma Localização para Salvar os Quadros Digitalizados

Após fazer tudo isso, navegue até os controles de informação da captação no painel de digitalização do DaVinci Resolve e clique no botão "Buscar" para selecionar uma localização para os arquivos digitalizados. É possível utilizar os outros campos nesta seção para definir o prefixo que você deseja adicionar aos arquivos digitalizados e às pastas delimitadoras. O "Prefixo do Nome de Arquivo" atualiza a prévia do nome do arquivo exibida na parte superior do cabeçalho. O cabeçalho também demonstra o caminho de arquivo, a resolução, a taxa de quadro, a duração e o formato. Especifique quais informações de rolo, clipe e programa você deseja associar à mídia digitalizada. A caixa de seleção "Prefixo do carimbo de data/hora" nos controles de "Informação de Captação" é selecionada por padrão e irá salvar seus clipes nas subpastas independentes dentro da pasta de destino, junto com um prefixo de código de tempo no nome do arquivo.

Caso deseje salvar todos os seus clipes juntos em uma única pasta de destino mestre, basta desmarcar esta caixa.

Ao capturar um clipe HDR, o digitalizador completa uma digitalização de alta exposição e salva em uma pasta oculta chamada .HDR dentro da mesma pasta da digitalização padrão. Se você apagar a pasta .HDR, a digitalização é convertida para um clipe normal após ser atualizada no armazenamento de mídias e da reimportação do clipe no pool de mídias. Isso é útil no caso de um erro com a parte HDR da digitalização, já que você pode facilmente convertê-la para um clipe CRI comum.

Verificando o Codec

O DaVinci Resolve seleciona o codec “Cintel Raw” por padrão ou você pode selecionar “Cintel Raw 3:1”.

Formato Cintel Raw

O padrão Bayer do Formato Cintel Raw para cada quadro de filme digitalizado com o sensor do seu Cintel Scanner é salvo com metadados integrados do digitalizador como uma sequência de imagem Cintel Raw Image de 12 bits linear, ou CRI. Ao fazer o tratamento de cores no DaVinci Resolve, as imagens CRI são interpoladas automaticamente como dados de imagem logarítmicos de 12 bits codificados.

A codificação logarítmica é parecida, mas não é idêntica à codificação Cineon. Por exemplo, filme negativo é codificado usando uma gama de 2,046 para densidade, enquanto filme revelado é codificado usando uma curva Gama 2,2 de faixa máxima para assegurar que nenhum dado de imagem seja cortado. Ambas essas codificações logarítmicas podem ser convertidas para um espaço de cor linear usando a LUT 1D “Cintel to Linear”, antes da conversão para outros espaços de cores nos quais você possa desejar trabalhar.

O filme é digitalizado usando uma área de sensor máxima de 4096 x 3072 para manter a forma de onda de áudio visível e para alojar a visibilidade das perfurações para estabilização. Depois, a imagem é recortada e a resolução dos arquivos de captura depende do formato do filme original depois do overscan para remover as perfurações e área de áudio. Para mais informações sobre as resoluções de digitalização para os tipos de filme diferentes, consulte a seção “Especificações”.

O Cintel Scanner cria arquivos Cintel Raw com compressão de taxa de bits variável sem perda por padrão. Ela é uma compressão sem perda de dados visuais e realiza uma redução de aproximadamente 3:2 no tamanho de arquivo dependendo do conteúdo da imagem. Todavia, Cintel Raw 3:1 utiliza compressão com perdas a uma proporção de aproximadamente 3:1. Isso continua sendo de alta qualidade mas pode nem sempre ocorrer sem perdas visuais. Por exemplo, arquivos para 35 mm de quatro perfurações são de aproximadamente 12.5 MB com Cintel Raw e aproximadamente 6.3 MB com Cintel Raw 3:1. Arquivos para 16 mm são aproximadamente de 4 MB com Cintel Raw e cerca de 2 MB com Cintel Raw 3:1.

Configurações de Qualidade CinemaDNG

Para controlar a qualidade de arquivos CRI, utilize as configurações CinemaDNG de “Qualidade de Decodificação” e “Qualidade de Reprodução” no painel “Câmera Raw” das configurações de projeto. Estas configurações estão marcadas como “Máxima” por padrão. Em computadores com um processador ou recursos de memória fracos, essas configurações podem ser reduzidas, mas isso afetará a qualidade da renderização final.

Definindo a Resolução da Linha de Tempo

O DaVinci Resolve exibe e renderiza a saída do digitalizador usando a mesma resolução da linha de tempo. Por exemplo, para bitola de 35 mm e quatro perfurações, uma resolução personalizada de 4096 x 3072 seria exigida para resolução máxima.

OBSERVAÇÃO Se a linha de tempo estiver configurada em HDR com a entrega desejada em Ultra HD, é possível que ocorra uma perda de resolução.

Para mais informações sobre as resoluções da área de imagem recortada para todas as bitolas de filme, consulte a seção 'Resoluções Efetivas' em 'Especificações'. Como alternativa, para a resolução nativa completa do clipe captado, acesse os "Atributos do Clipe" no DaVinci Resolve.

Ajustando a Cor do Digitalizador

O painel de digitalização de filmes no DaVinci Resolve permite que você controle a exposição e a temperatura de cor da luz utilizada para iluminar o filme para a digitalização. Você pode ajustá-las com o anel mestre da fonte de luz e controles RGB, para maximizar a quantidade de informações que está extraindo para cada quadro, enquanto impede que qualquer área da imagem seja recortada irreversivelmente. Embora seja verdade que CRI é um formato de imagem raw, não há latitude além do intervalo de dados interno usado pelo DaVinci, portanto esteja atento caso esteja cortando dados usando os escopos de vídeo integrados durante a digitalização, eles poderão ser cortados permanentemente da mídia digitalizada.

A frequência com a qual você ajustará a cor e a exposição de planos digitalizados depende de quanta variedade existe nas cenas em um rolo de filme específico. Por exemplo, alguns rolos podem ter muitas tomadas da mesma cena, todas as quais devem possuir a mesma iluminação e compartilhar dos mesmos ajustes.

Entretanto, outros rolos poderão possuir uma variedade de cenas diferentes com iluminação largamente diferente em cada uma, necessitando de ajustes individuais para cada clipe digitalizado para maximizar a qualidade dos dados.

Isso é importante por que o anel mestre da fonte de luz e os controles RGB não podem ser alterados automaticamente entre os clipes digitalizados em um fluxo de trabalho de catalogação e captação. Isso quer dizer que as configurações atuais da fonte de luz serão usadas para todos os clipes que você digitalizar até que você as altere manualmente outra vez, mesmo para clipes catalogados de partes diferentes de um rolo de filme. Ou seja, o tipo de trabalho de registro e captura é recomendável apenas nos casos onde fizer sentido registrar múltiplos clipes que compartilhem os mesmos ajustes do anel mestre da fonte de luz e controles RGB.

Caso contrário, é recomendado que você faça ajustes de iluminação de clipe a clipe, à medida que digitalize cada um, nos casos em que precisar de uma qualidade de imagem superior para finalização. Não se esqueça que o objetivo desses ajustes é maximizar os dados de imagem da digitalização, e não criar o look final dos clipes, o que será feito posteriormente na fase do trabalho de tratamento de cores usando os controles da página Cor.

Para ajustar as configurações da fonte de luz, encontre uma imagem típica da seção do rolo com as primeiras imagens a serem digitalizadas e ajuste a fonte de luz ao visualizar os escopos de vídeo.

Ajuste o anel mestre da fonte de luz para definir a intensidade da fonte de luz para iluminar o filme, aumentando ou diminuindo o nível dos canais R, G e B ao mesmo tempo. Para um negativo de câmera típico, você pode ajustar o ponto preto da imagem do filme. Em uma cópia negativa, a parte mais escura da imagem corresponde aos realces da imagem do filme. Configure o anel mestre da fonte de luz para que fique pouco acima do valor DMIN típico de 95, como medido no histograma dos escopos de vídeo, o que garante que os realces não serão cortados pela conversão LOG Cineon que o DaVinci utiliza para interpolar a imagem CRI para o tratamento de cores. Para filme positivo, basta ajustar manualmente os níveis da fonte de luz para que nenhuma área dos realces ou sombras do sinal seja cortada. Normalmente 1.000 em 10 bits ou 4.000 em 12 bits.

Você pode habilitar "Exibir Níveis de Referência" nos escopos de forma de onda, padrão RGB ou histograma e configurar o valor "Baixo" para indicar o valor DMIN digital de 95.

Depois de fazer isso, ajuste os controles RGB para rebalancear todos os três canais de cores ao variar os valores para alterar a temperatura de cor da fonte de luz usada, iluminar o filme e produzir o balanço de cores mais útil, ou neutro, no resultado digitalizado.

Digitalizando Uma ou Mais Seções do Filme

Depois da fonte de luz ser ajustada, é uma boa ideia se manter organizado à medida que você digitaliza cada clipe ao inserir todos os metadados relevantes no editor de metadados enquanto você trabalha. O grupo de campos de metadados “Informação de Captação” contém as informações para definir o prefixo do nome de arquivo, rolo, número do rolo, número do clipe, nome do programa, bandeiras e se uma tomada específica é boa. Se você popular esses campos antes de digitalizar um clipe, esses metadados serão gravados no clipe.

Na parte inferior do painel “Informação de Captação”, você verá quatro botões para a digitalização do filme.

Feito tudo isso, é possível digitalizar o filme de quatro maneiras diferentes:

Captar Agora

Utilize este botão para captar seções longas de um rolo todas de uma vez. Clicar em “Captar Agora” inicia a digitalização perto do quadro atual, encerrando sempre que você clicar em “Parar”.

Se “Habilitar Digitalização HDR de 2 Passagens” estiver selecionado, clique em “Captar HDR” depois da captura ser iniciada para indicar ao DaVinci Resolve que você chegou ao fim do seu clipe desejado para que ele possa continuar agora com a passagem de exposição elevada. Se você digitalizar o rolo inteiro sem clicar em “Captar HDR”, o escâner continua com a digitalização de alta intensidade automaticamente de onde você iniciou até o fim do rolo.

Captar Clipe

Uma maneira mais controlada de digitalizar seções específicas de um filme. Após ter utilizado os controles de transporte e o botão “In” e “Out” para definir uma seção do filme, clicar em “Captar Clipe” digitaliza esse clipe e, depois, para.

Se “Habilitar Digitalização HDR de 2 Passagens” é selecionado, a digitalização HDR de alta intensidade utiliza os mesmos pontos de entrada e saída que a digitalização inicial.

Clipe em Lotes

Esta é uma maneira de catalogar múltiplos clipes antes de digitalizá-los todos de uma vez usando as configurações de luz de fonte atuais no painel de digitalização do DaVinci Resolve. Registre cada clipe antecipadamente ao configurar pontos de entrada e saída para cada seção do filme que você deseja digitalizar e clicar no botão “Registrar Clipe” para salvar esse intervalo de quadros como um clipe não digitalizado no pool de mídia. Quando você clicar em “Clipe em Lotes”, todos os clipes não digitalizados serão digitalizados um após o outro até que o trabalho esteja completo. Você também pode selecionar um ou mais clipes não digitalizados, e apenas os clipes selecionados serão digitalizados. Além disso, você pode importar uma EDL que se corresponde a um tipo específico de rolo de filme, e usar os clipes registrados resultantes para a digitalização.

OBSERVAÇÃO Quando você clicar no botão “Registrar Clipe”, o Cintel Scanner aplica as mesmas configurações de projeto a todos os clipes no lote, e usa as configurações de projeto mais recentes durante a captura. É aconselhável que você confirme as configurações do digitalizador antes de iniciar a captação em lote.

Se “Habilitar Digitalização HDR de 2 Passagens” estiver selecionado, a digitalização HDR de alta intensidade utiliza os mesmos conjuntos de pontos de entrada e saída que o lote de digitalizações inicial.

Para mais informações sobre os fluxos de trabalho de captação em lote, consulte o capítulo “Ingesting From Tape” no manual do DaVinci Resolve.

Fotograma

Capte um único quadro com a exposição normal e as configurações atuais do digitalizador.

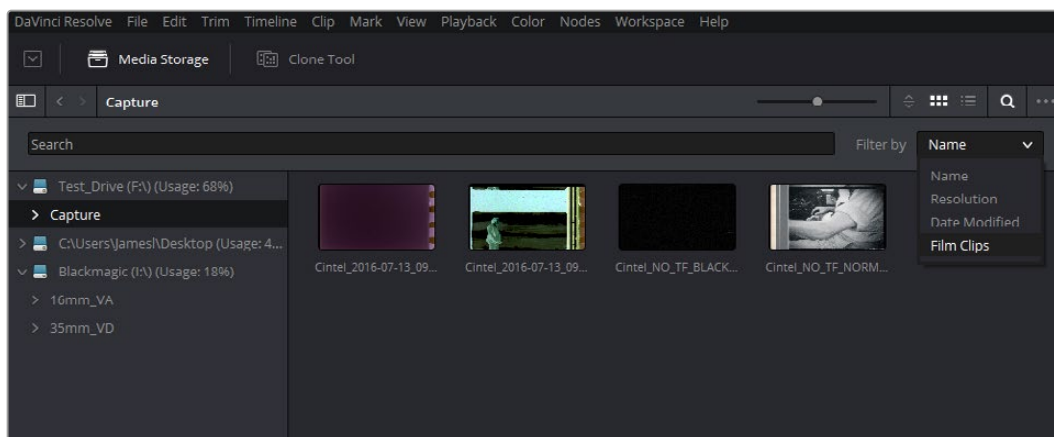
Ao digitalizar, se o DaVinci Resolve detectar que a sua largura de banda é baixa demais para a captura com a velocidade selecionada, a velocidade da digitalização se ajustará automaticamente para assegurar que a captura seja feita com êxito. Se você estiver usando o acessório Audio and KeyCode Reader opcional, a taxa de amostragem de áudio também será ajustada para manter a qualidade do áudio escolhido.

Extraindo Áudio

Se o filme que você está digitalizando também incluir uma faixa de áudio óptico, é possível extrair o áudio em um passo separado. Há um deslocamento padrão do quadro de imagem para o quadro de áudio de 26 quadros para 16 mm e 21 quadros para 35 mm que o DaVinci alinha automaticamente ao extrair som. Selecione todos os cliques que possuem uma faixa de som óptico, depois, clique com o botão direito em um dos cliques selecionados e marque “Extrair Áudio”. O DaVinci Resolve analisa a sobreposição da área óptica para cada quadro e gera uma trilha de áudio correspondente automaticamente, sincronizada com a sequência de imagem digitalizada.

O áudio de cada clipe será extraído automaticamente, integrado ao clipe e salvo no mesmo diretório que os quadros digitalizados foram gravados. Um pequeno ícone de áudio aparecerá no canto da miniatura do seu clipe para que você saiba que há um arquivo de áudio correspondente.

Para facilitar a extração, você pode filtrar os cliques no armazenamento de mídia por nome, resolução, data de modificação ou apenas pelos cliques de filme. Filtrar os seus cliques facilita encontrar e selecionar exatamente o que você precisa. Também é possível fazer uma seleção ampla e extrair áudio de múltiplos cliques ao mesmo tempo clicando na sua seleção e selecionando “Extrair Áudio...” no menu. Durante a extração de áudio, uma caixa de informações indica o progresso. Você pode clicar no botão “Parar” a qualquer momento para encerrar a extração.



É possível filtrar os conteúdos no armazenamento de mídias para facilitar o seu gerenciamento

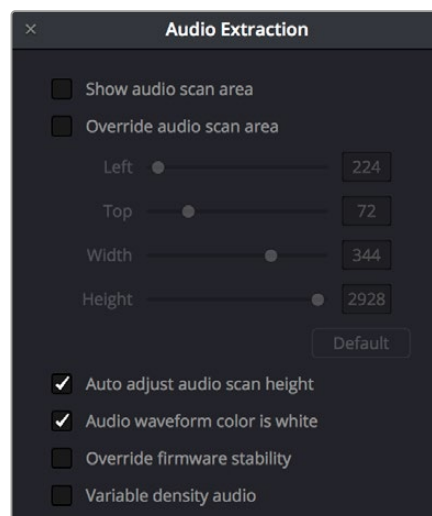
Se a caixa de verificação “Prefixo do carimbo de data/hora” estava desmarcada na seção “Informação de Captação” quando seus cliques foram digitalizados e você deseja ter o áudio extraído integrado aos seus cliques automaticamente, lembre-se sempre de extrair o áudio dos cliques no pool de mídia.

Configurações de Extração de Áudio

Normalmente, depois de ter selecionado o tipo de filme, os recursos automáticos no DaVinci Resolve extrairão seu áudio óptico perfeitamente. Contudo, a condição da trilha óptica pode variar com a condição do filme sendo carregado e, em alguns casos, isso pode confundir a automação. Se isso ocorrer, você pode ignorar os recursos automáticos e fazer ajustes manualmente.



Para ajustes manuais, basta abrir a janela de configurações “Extração de Áudio” ao clicar em “Exibir Configurações de Áudio Cintel” nas opções do inspetor perto do canto superior direito do visualizador



As configurações de Extração de Áudio permitem que você faça ajustes manuais conforme necessário

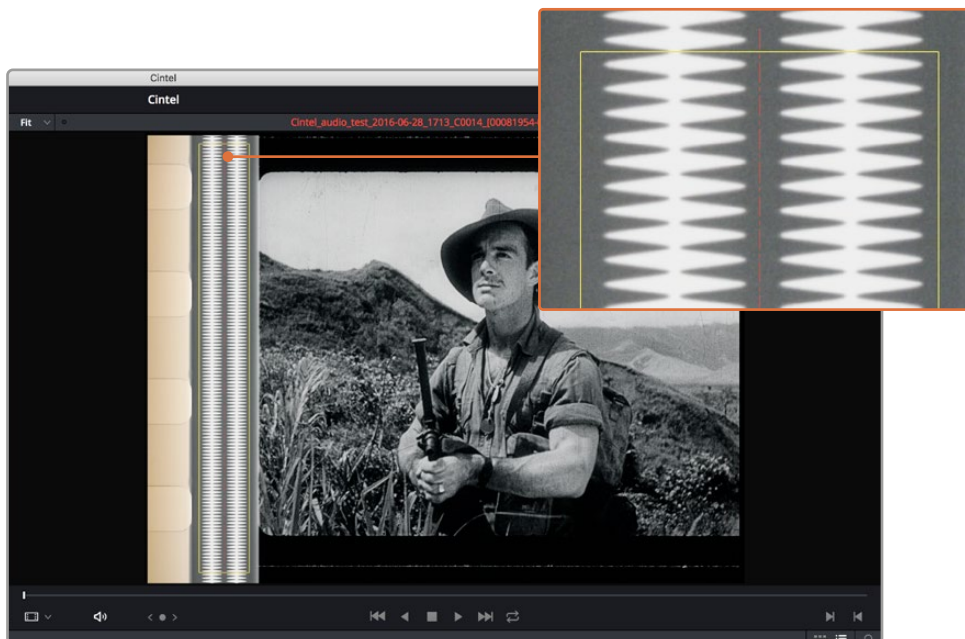
As configurações de extração de áudio permitem fazer os ajustes a seguir:

Exibir área de digitalização de áudio

Esta caixa de seleção habilita ou desabilita a área útil da digitalização de áudio. As guias são exibidas como uma caixa na lateral do quadro cobrindo a área útil do áudio óptico e exibe quais informações ópticas serão usadas durante a extração. A posição das guias se conformará ao tipo de filme selecionado. Mas, é possível alterar a posição manualmente caso você precise. As guias da área útil de áudio também são excelentes indicadores para exibir o que está acontecendo durante o processo de extração para que você possa identificar eventuais problemas e fazer ajustes manuais.

Há uma linha vermelha fina no interior da caixa. Esta linha é o detector de ponto médio que reconhece a separação entre os canais de áudio estéreo. Quando som mono é detectado durante a extração de áudio, o detector de ponto médio desaparece e as guias se ajustarão automaticamente para se adaptar à largura da trilha mono óptica.

DICA Se você precisar de uma análise mais detalhada das guias da área útil de áudio, você pode ampliar o visualizador e mover a posição do visualizador para cima, para baixo e à direita ou esquerda. Basta selecionar a quantidade de zoom das opções de dimensionamento no canto superior esquerdo do visualizador, depois clique e arraste o visualizador com seu mouse ou track pad.



Quando o recurso “Exibir área de digitalização de áudio” está habilitado, as guias das áreas de áudio estarão visíveis para que você possa ver exatamente quais informações estão sendo usadas e monitorar o processo de extração

Substituir área de digitalização de áudio

Este recurso oferece deslizadores para ajustar o posicionamento horizontal e vertical, largura e altura das guias da área útil de digitalização.

Estas configurações incluem:

Esquerda e Largura

Se no seu tipo de filme o áudio aparece à direita do quadro, basta ajustar o deslizador “Esquerda” para mover a caixa manual para a direita. Normalmente, isso acontecerá automaticamente se você tiver correspondido o tipo de filme selecionado, mas o recurso oferece mais flexibilidade para ajustes, se necessário. Do mesmo modo, a configuração “Largura” é usada para ajustar a largura da área de digitalização.

Elas são ferramentas úteis para fazer ajustes sutis às extremidades laterais da caixa manual caso existam elementos indesejados no interior da área de áudio óptico do filme. Isso pode ocorrer devido ao desgaste das perfurações ou qualidades de revelação diferentes e, às vezes, pode interferir com a qualidade de extração de áudio. Você pode evitar isso ao deslocar sutilmente as extremidades laterais para manter os elementos perdidos fora da caixa manual.

Cima

Esta configuração ajusta a posição vertical da caixa manual.

Altura

Ocasionalmente, quadros de filme em rolos mais antigos podem ser ligeiramente menores devido ao encolhimento com o passar do tempo. Ao fazer ajustes com a caixa manual, você pode corrigir para compensar pelo encolhimento usando o deslizador de altura.

Ajuste automático da área de digitalização de áudio

Esta configuração está habilitada por padrão e ajusta automaticamente a altura da caixa manual para alinhar com a forma de onda de áudio na parte superior de cada quadro. O recurso automático funciona bem para condições de áudio normais, mas, se durante a extração você notar que a caixa está se deslocando aleatoriamente e a qualidade da extração é afetada, isso pode ser devido a características parecidas na trilha de áudio se sobrepondo entre quadros. Se isso ocorrer, desmarque a caixa de seleção e tente fazer a extração novamente.

Caso desmarque a caixa de verificação “Ajuste automático da área de digitalização de áudio”, certifique-se de que o recurso “Altura” posicione a caixa manual na posição ideal para o quadro. Fazer ajustes manuais pode ajudar caso necessário, mas não se esqueça de habilitar os recursos automáticos novamente depois.

A forma de onda de áudio é branca

Dependendo do tipo de filme digitalizado, a forma de onda de áudio pode ser preta ou branca. Se a forma de onda é branca, certifique-se de a caixa de verificação correspondente esteja marcada. Isso garantirá que a informação em branco da forma de onda seja utilizada durante a extração de áudio. Se a forma de onda é preta e a área de áudio em torno é branca, desmarque a caixa de verificação para que o DaVinci saiba que deve usar a informação em preto da forma de onda. Outros recursos automáticos, como a detecção de ponto médio e mono, também dependem deste ajuste configurado corretamente.

Substituir estabilidade do firmware

Em casos raros, a condição do filme pode ter criado grandes alterações no quadro devido à estabilização de firmware interna. Isso pode fazer a caixa manual de extração de áudio se desalinhar com a trilha óptica. Se isso ocorrer, habilitar “Substituir estabilidade do firmware” permite que a caixa manual de extração de áudio rastreie as perfurações do filme independentemente e ajuste sua posição para resultados potencialmente superiores.

Áudio de densidade variável

Se o seu filme incluir áudio de densidade variável, certifique-se de selecionar a caixa de verificação “Áudio de densidade variável” para que o DaVinci Resolve saiba qual tipo de áudio extrair. O estado padrão é definido como desabilitado para trilhas sonoras de áudio variáveis.

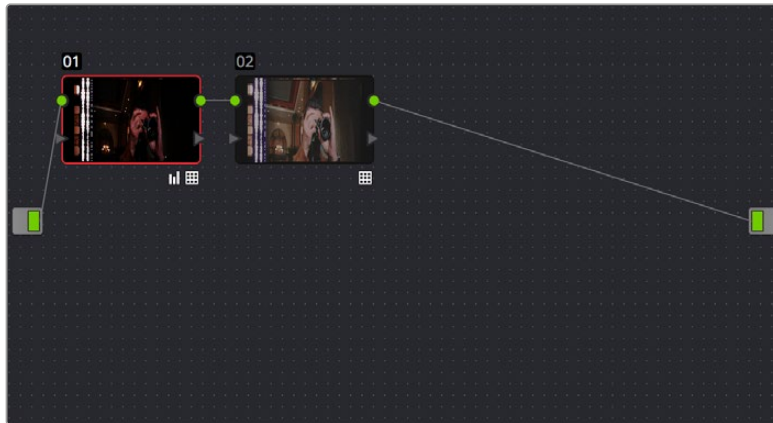
Caso não tenha usado densidade de áudio variável antes, você pode identificá-la visualmente como uma pequena sequência de linhas sombreadas, parecidas com um código de barra com as linhas comprimidas mais juntas umas das outras. Em comparação, as trilhas sonoras de área variável aparecem como uma forma de onda de áudio.

Espaço de Cor e Dimensionamento

Um par de LUTs 1D, “Cintel Negative to Linear” e “Cintel Print to Linear”, são fornecidas para ajudar a converter mídias digitalizadas para um espaço de cores no qual você pode continuar a trabalhar. É possível aplicar essas LUTs via um nó na página de cores para converter as digitalizações originais para um espaço de cores linear. Contudo, caso deseje converter a imagem para Rec.709 ou Cineon para fazer mais ajustes, é aconselhável aplicar uma segunda LUT em um segundo nó. O espaço de cor padrão para uma cópia final é uma curva log de gama 2.2 padrão, enquanto todos os outros são de densidade de filme log com gama 2.046.

Em geral, para filme negativo, é melhor fazer a inversão das cores depois que a segunda LUT é aplicada. Além disso, normalmente algum tratamento de cor é exigido nos dados lineares para remover deslocamentos de preto, devido ao DMIN, para conversão adequada ao espaço de cor de destino. Há uma variedade de LUTs VFX IO disponível no submenu LUT 3D de cada menu contextual para cada nó que permite converter uma imagem com espaço de cor linear para qualquer outro espaço de cor no qual desejar trabalhar.

Para mais informações, consulte a seção 'Applying a LUT Within a Node' no manual do DaVinci Resolve no capítulo 'Using LUTs'.

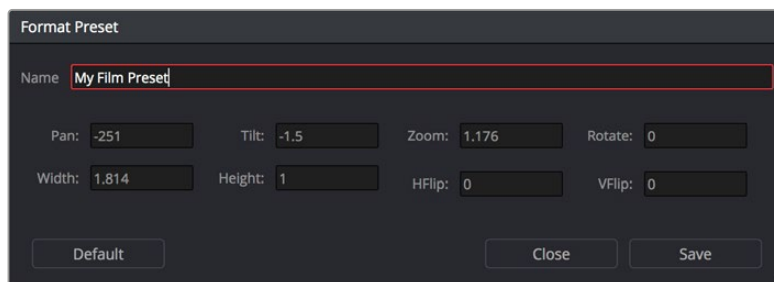


Três nós são usados para converter uma digitalização de filmes usando LUTs, o nó 1 converte de Negativo ou Revelado para Linear, o nó 2 converte de Linear para Rec. 709 e o nó 3, caso necessário, inverte as cores

Aplicar uma LUT dentro de um nó cortará quaisquer dados de imagem que se situem abaixo de 0 e acima de 1. Para evitar o corte, você pode usar os controles de Pedestal/Gama/Ganho dentro de qualquer nó com uma LUT aplicada para ajustar os níveis da sua imagem antes da transformação aplicada pela LUT naquele nó.

O formato do filme que você está digitalizando e a maneira que o material foi gravado originalmente afetam o enquadramento. Você pode ajustar o enquadramento final do seu clipe digitalizado ao redimensionar, usar o zoom, esticar, fazer panorâmica, inclinar e muito mais. Na página "Cor", abra a paleta "Tamanho" e utilize o modo "Tamanho de Entrada" para criar o enquadramento necessário. Para salvar suas preferências de tamanho como uma predefinição, abra o menu, selecione "Salvar Como Nova Predefinição" e insira um nome para sua predefinição.

Após ter criado uma predefinição de tamanho adequada para um tipo específico de mídia, você pode aplicar essa predefinição a várias digitalizações de filmes ao mesmo tempo, tanto na página de cores ou no pool de mídia usando o comando "Alterar Predefinição do Tamanho de Entrada", encontrado no menu contextual dos clipes selecionados. Para mais informações sobre tamanhos, consulte o capítulo 'Sizing and Image Stabilization' no manual do DaVinci Resolve.

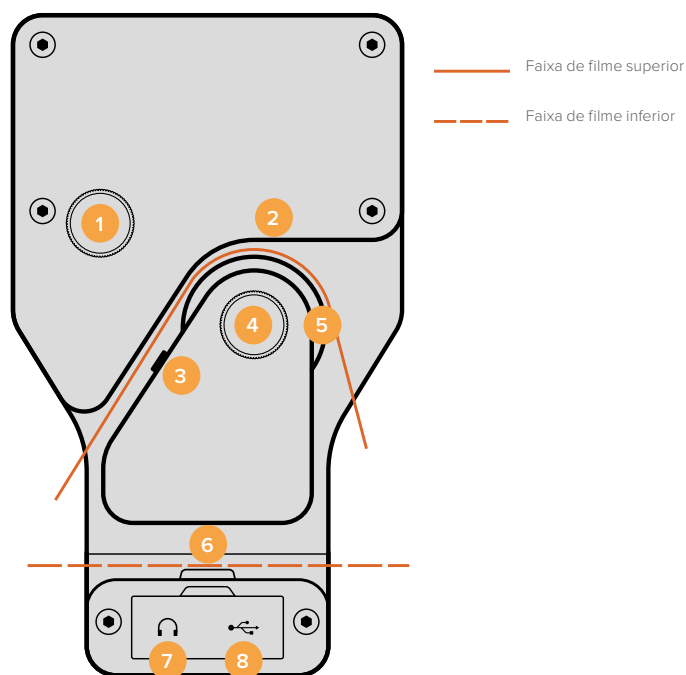


Criação de uma predefinição de tamanho na paleta "Tamanho" da página Cor

Audio and KeyCode Reader Opcional

O Audio and KeyCode Reader opcional amplia as capacidades do Cintel Scanner ao captar trilhas sonoras ópticas e magnéticas de filmes de 35 mm e 16 mm. As trilhas sonoras podem ser captadas em uma variedade de velocidades, desde lentas até mais rápidas que o tempo real. Ele também pode digitalizar as informações do KeyCode sobre a posição do quadro no rolo e o tipo de bitola usada.

O leitor inclui os componentes a seguir:



- 1. Knob de rastreamento de áudio óptico
- 2. Cabeça de áudio magnética
- 3. Digitalizador de áudio óptico
- 4. Knob limpador do rolo de cabrestante
- 5. Rolo de cabrestante
- 6. Digitalizador de KeyCode
- 7. Porta de fone de ouvido
- 8. Porta USB para Firmware

Ao laçar seu filme pela parte superior do leitor, você pode extrair trilhas sonoras ópticas e magnéticas do seu filme.

Quando o filme é laçado pela parte inferior do leitor, você pode captar as informações KeyCode. Os dados KeyCode estão localizados perto da área da perfuração em alguns filmes negativos e tipicamente incluem os dados sobre as posições dos quadros em um rolo, informações para ajudar a identificar o rolo de filme e detalhes adicionais, como o tipo do filme. As informações digitalizadas são salvas como metadados em cada quadro Cintel Raw.

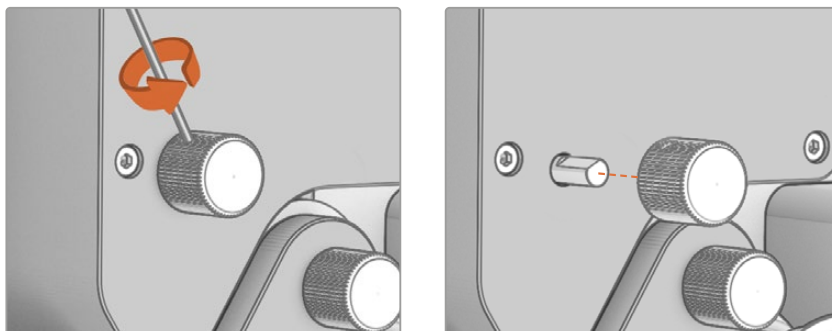
DICA Seu Cintel Scanner ainda pode captar informações de trilhas sonoras ópticas sem o Audio and KeyCode Reader encaixado. Basta usar o recurso de extração de áudio no painel de digitalização de filmes do DaVinci Resolve após ter digitalizado seu filme. Para mais informações sobre como extrair áudio óptico, consulte a seção 'Extraindo Áudio' neste manual.

Encaixando o Audio and KeyKode Reader

O leitor é alimentado pela interface de opções esquerda, que é um conector XLR de seis pinos para acessórios abaixo da bobina de alimentação.

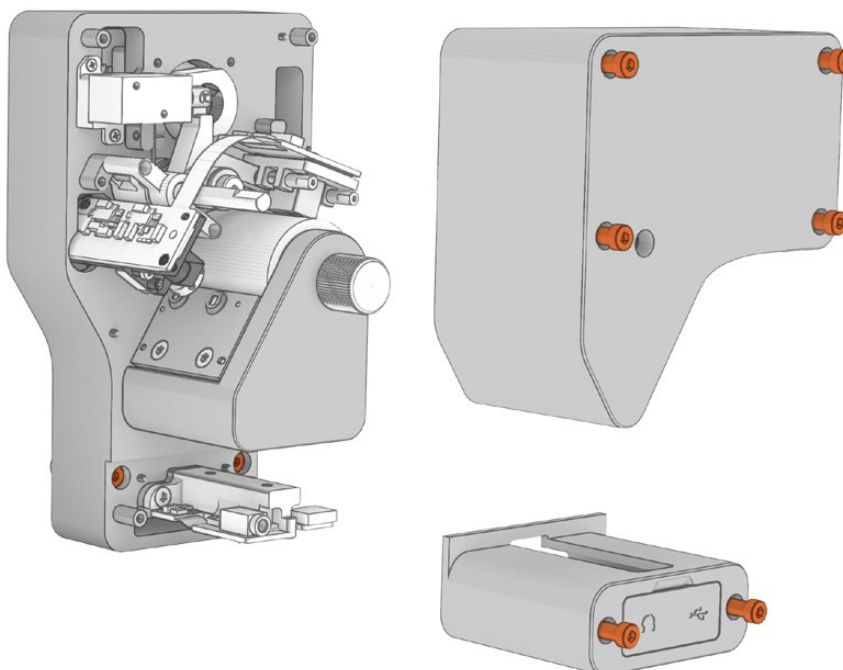
Para encaixar o Audio and KeyKode Reader ao seu Cintel Scanner:

- 1 Primeiro, verifique se a energia está desconectada do seu Cintel Scanner.
- 2 No knob de ajuste superior do leitor, você encontrará um pequeno parafuso helicoidal recuado em uma das laterais. Utilize uma chave Allen de 1,5 mm para afrouxar este parafuso e deslize o knob para fora do seu eixo. Isto permite que você retire a tampa superior do leitor.



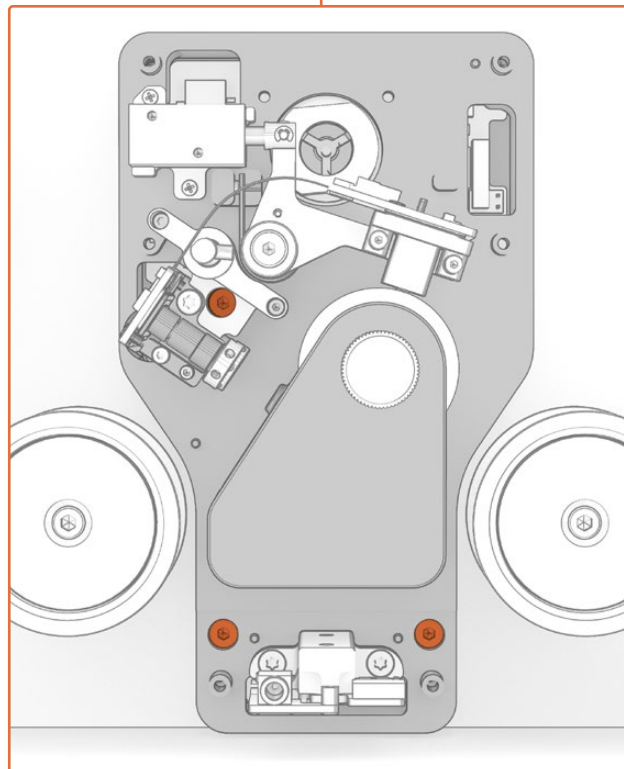
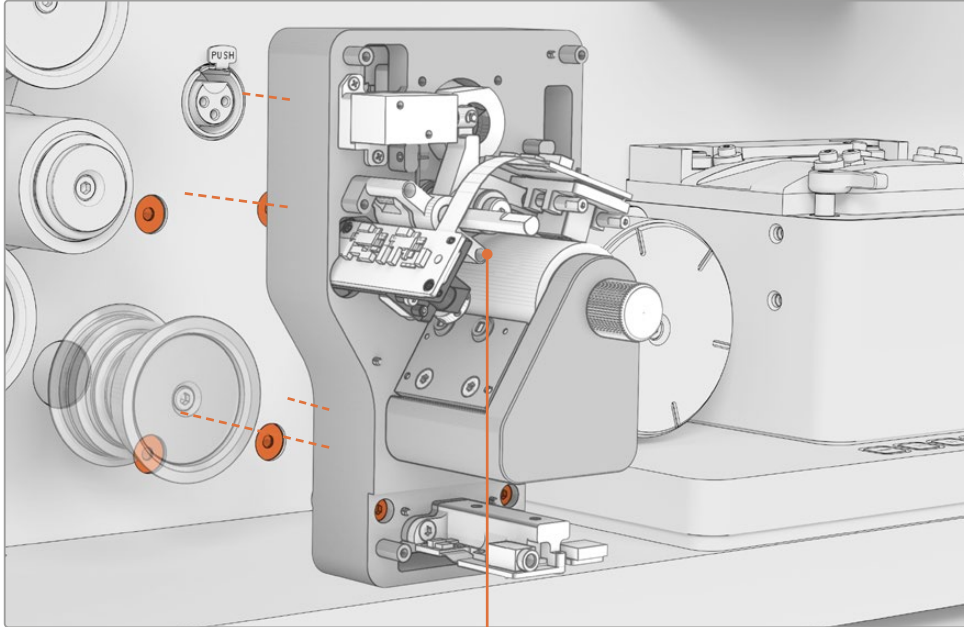
Utilize uma chave Allen de 1,5 mm para afrouxar o parafuso helicoidal de ajuste, depois retire o knob do seu eixo.

- 3 Remova as tampas superior e inferior do Audio and KeyKode Reader ao desparafusar os seis parafusos M3 com a chave Allen de 2,5 mm. Os parafusos são cativos, portanto permanecem encaixados ao leitor. Retirar as tampas fornece acesso aos parafusos cativos necessários para encaixar o leitor ao seu Cintel Scanner.



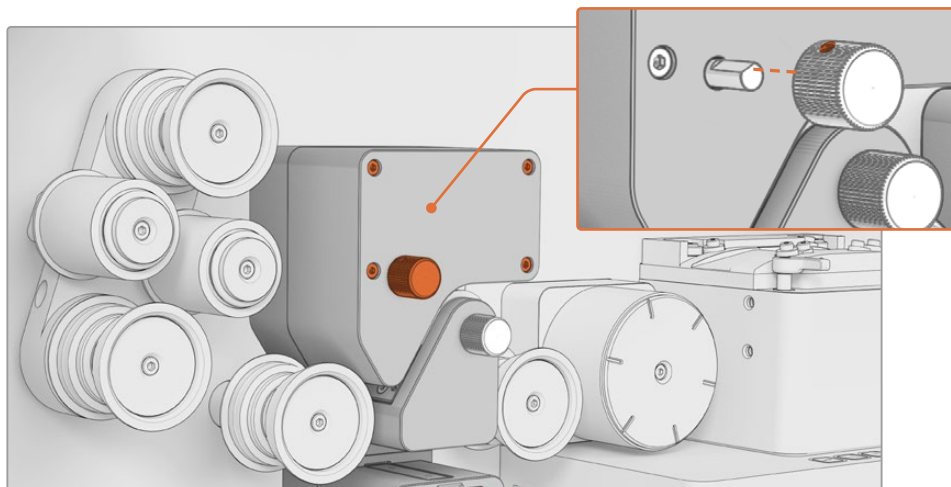
Retire as tampas superior e inferior do leitor ao desparafusar os seis parafusos M3 de cobertura. Como os parafusos são cativos, você precisa apenas desparafusá-los um pouco até que liberem o contato, conforme mostrado na imagem acima.

- 4 Retire os quatro plugues de parafuso M4 do seu Cintel Scanner usando uma chave Allen de 2 mm. Os parafusos corretos são o parafuso superior esquerdo e os dois parafusos inferiores abaixo do conector XLR da interface de opções esquerda.
- 5 Monte o leitor no seu digitalizador ao plugar seu conector XLR macho ao conector XLR fêmea da interface de opções esquerda no seu Cintel Scanner.
- 6 Fixe o Audio and KeyCode Reader no seu escâner usando os três parafusos M3 cativos, garantindo que esteja nivelado à placa de apoio antes de apertar.



Plugue o leitor no conector XLR da interface de opções esquerda e aperte o leitor no seu Cintel Scanner usando os três parafusos M3 cativos

- 7 Reencaixe as tampas do Audio and KeyKode Reader e aperte os parafusos das tampas. Reencaixe o knob superior e aperte levemente o parafuso helicoidal para o lado liso do eixo.



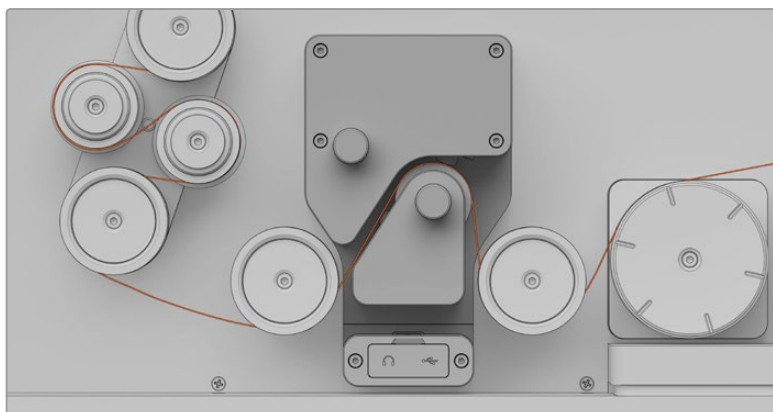
Reencaixe as tampas do leitor ao apertar os seis parafusos M3 cativos e reencaixe o knob de ajuste ao apertar o parafuso contra a extremidade lisa do eixo

Lendo Áudio

Com o Audio e KeyKode Reader encaixado, seu digitalizador pode gravar informações de áudio óptico a partir de filmes de 35 e 16 mm e informações de áudio magnético de filmes 16 mm.

Laçando Filme

Para começar a gravar as informações de áudio em tempo real, a primeira coisa que você precisa fazer é laçar seu filme pelo caminho de áudio do leitor. O caminho para laçar corretamente é exibido abaixo.



Lace o filme pela seção superior do Audio and KeyKode Reader para ler áudio.

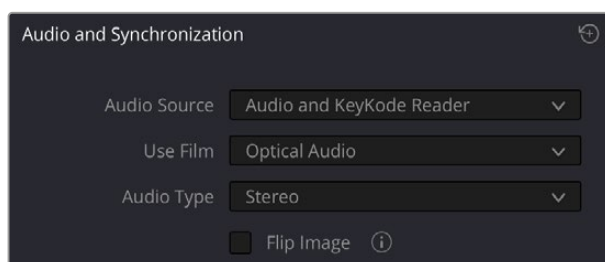
OBSERVAÇÃO Ao digitalizar áudio óptico, esteja particularmente atento à posição dos LEDs de digitalização de 16 mm e 35 mm. 35 mm fica mais perto do chassi, enquanto 16 mm fica mais distante.

DICA Quando o filme é laçado pelo caminho de áudio do leitor, o DaVinci Resolve automaticamente gravará áudio e o adicionará aos seus clipes. Como alternativa, se ele é laçado pelo caminho inferior, nenhum áudio será gravado.

Configurando o Leitor para Digitalização de Áudio

Após ter laçado seu filme, vá até o painel de digitalização do DaVinci Resolve e configure as opções “Usar Filme” e “Tipo de Áudio” no painel do acessório. A opção que você selecionar no menu “Fonte de Áudio” modificará as opções disponíveis nos menus “Usar Filme” e “Tipo de Áudio”.

Estas configurações permitem que você defina qual função deseja que o seu leitor desempenhe, por exemplo configurar o leitor para digitalizar as informações de KeyKode, ou para tipos de áudio diferentes, por exemplo, áudio óptico ou magnético.



O painel do Audio and KeyKode Reader na área de digitalização de filmes do DaVinci Resolve permite alternar a opção “Usar Filme” entre KeyKode ou Digitalização de Áudio.

DICA As opções disponíveis serão diferentes dependendo do tipo de filme carregado. Por exemplo, áudio magnético estará disponível quando 16 mm for definido como o tipo de filme no painel de digitalização de filmes do DaVinci Resolve.

Fonte de Áudio

Selecione a fonte de áudio para acompanhar as imagens que serão digitalizadas.

Nenhuma

Nenhuma trilha de áudio. As opções “Usar Filme” e “Tipo de Áudio” não estão disponíveis.

Audio and KeyKode Reader

Ler áudio óptico ou magnético do filme usando o Audio and KeyKode Reader.

Áudio Externo

Selecione esta opção para aceitar áudio analógico ou áudio digital AES/EBU através das portas de áudio XLR externo.

Usar Filme

Utilize essas configurações para determinar as funções KeyKode ou leitura de áudio. Para informações sobre os dados KeyKode, consulte a seção ‘Lendo KeyKode’.

As configurações do leitor de áudio também incluem:

Áudio Óptico

Selecione este recurso quando quiser digitalizar áudio de uma trilha de áudio óptico.

Você pode identificar se a trilha de áudio é óptica ao inspecionar o filme. Caso esteja digitalizando filme de 35 mm ou 16 mm e veja uma forma de onda contínua ou uma série longa e compacta de faixas em um dos lados, sua cópia tem uma trilha sonora óptica.

Estreitar Trilha de Áudio Óptico

Ao digitalizar áudio óptico, o encolhimento de filmes e as variáveis próprias da tiragem significam que ocasionalmente a trilha óptica do seu filme é menor do que a área digitalizada pelo seu Audio and KeyCode Reader. Isso pode resultar no leitor de áudio digitalizando perfurações ou dados de imagem de ambos os lados da trilha sonora, o que causa interferência no áudio. Neste caso, ajustar o knob de rastreamento do leitor pode ajudar a aprimorar o áudio, mas se isso não for feito com êxito e a trilha de áudio for problemática, você pode selecionar “Estreitar Trilha de Áudio Óptico” a partir do menu “Usar Filme”. Isso reduzirá a área escaneada pelo seu leitor em cerca de vinte por cento, limitando as áreas indesejadas em torno da trilha óptica e aprimorando a qualidade da digitalização de áudio.

Para mais informações sobre o recurso de rastreamento no leitor de áudio, consulte as informações sobre ‘Rastreamento’ posteriormente nesta seção.

Áudio Magnético

Caso queira digitalizar a fita de áudio magnético aderida à borda em filmes 16 mm, configure o recurso “Usar Filme” como “Áudio Magnético”.

Você pode identificar a fita de áudio magnético em filmes de 16 mm ao procurar por uma faixa preta junto dos quadros. A faixa preta terá cor de cobre no lado da emulsão da película.

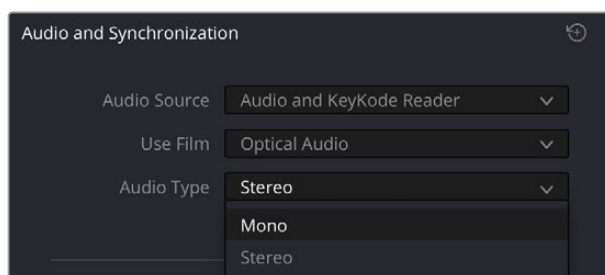
OBSERVAÇÃO Ao digitalizar som magnético, recomendamos configurar a velocidade da digitalização para 24 quadros por segundo para equalização adequada. Digitalizar a outras velocidades pode exigir ajustes de timbre na pós-produção.

Tipo de Áudio

Após ter selecionado a opção adequada em “Usar Filme”, selecione seu tipo de áudio a partir do menu “Tipo de Áudio”.

Som Estéreo ou Mono

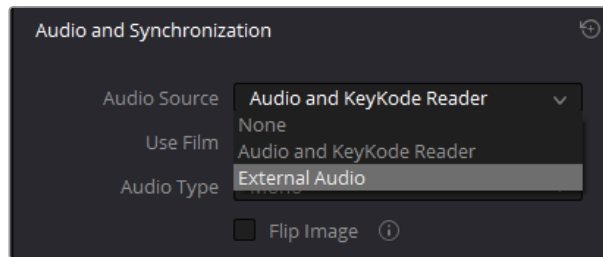
Você pode identificar facilmente se o som óptico é mono ou estéreo analisando seu filme. Caso veja duas formas de onda lado a lado, seu filme tem uma trilha sonora estéreo. Caso veja apenas uma forma de onda, ou faixas compactas de áudio de densidade variável, seu filme tem uma trilha sonora mono. Áudio magnético é sempre mono.



Selecione áudio “Estéreo” ou “Mono” dependendo do tipo de som no filme.

Áudio Externo

Na fonte de áudio, clique no menu de barra e selecione “Áudio Externo”.



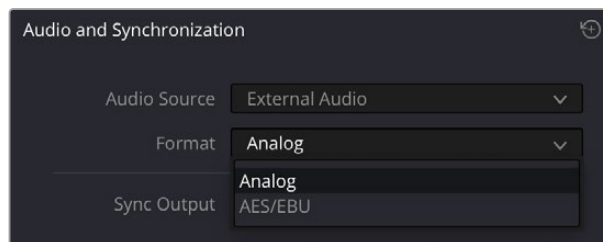
Ao selecionar “Áudio Externo”, as entradas de áudio XLR no painel lateral do Cintel Scanner podem aceitar áudio analógico ou áudio digital AES/EBU. Selecione a opção apropriada no menu “Formato”:

Analógico

Selecione esta configuração caso esteja utilizando áudio analógico balanceado.

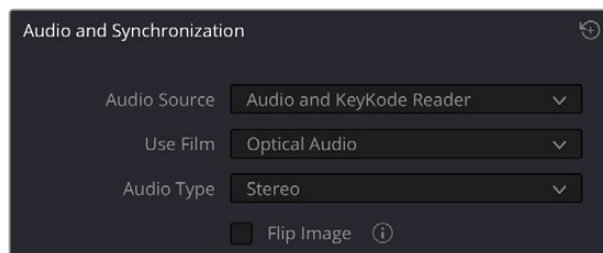
AES/EBU

Use esta opção para receber áudio AES/EBU, também conhecido como AES3.



Inverter Imagem

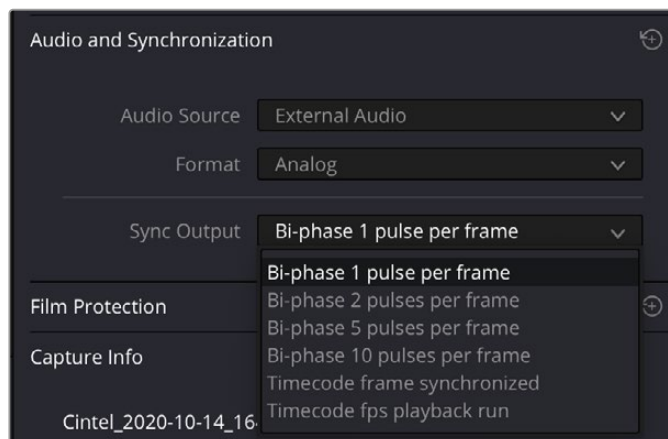
Se a imagem é revertida durante a digitalização de som em filmes negativos, marque a caixa de seleção “Inverter Imagem”.



Habilite a opção “Inverter Imagem” para espelhar o quadro

Sincronizar Saída

Use o menu “Sincronizar Saída” para escolher entre um padrão de sincronização caso o digitalizador esteja conectado, por meio de uma porta XLR do painel lateral, a um equipamento externo que precise de sincronização.



As opções de saída Bifásica ou de Código de Tempo no menu “Sincronizar Saída”.

A opção “Bifásica” envia dois sinais em quadratura no par diferencial de áudio padrão XLR3, portanto a direção e a frequência podem ser lidas na taxa que você selecionar. “Sincronizada aos quadros do código de tempo” envia um único valor de código de tempo por quadro transportado. “Sincronizada à taxa fps da reprodução” envia códigos de tempo de acordo com uma taxa fixa determinada pela taxa de quadros do filme do seu projeto. A voltagem de saída alterna automaticamente entre 4,5 V para bifásico e 1,5 V para seleções de código de tempo.

OBSERVAÇÃO A saída de código de tempo é suportada para 24, 25 e 30 fps em livre execução ou sincronizado com o quadro. A saída de código de tempo não está disponível para outras taxas de quadro.

Velocidade de Captação

Quando o Audio and KeyCode Reader estiver instalado e configurado para captar som, a velocidade máxima da digitalização com o seu Cintel Scanner será limitada a 125% da sua taxa de quadro de destino. Por exemplo, ao digitalizar filme destinado a reprodução de 24 quadros por segundo, a velocidade máxima de digitalização do seu digitalizador será de 30 quadros por segundo. Isso assegura uma taxa de amostragem de 48 kHz.

Rastreamento

Como o posicionamento das trilhas de som óptico pode variar um pouco de cópia para cópia, é importante assegurar que seu leitor esteja escaneando a área correta no filme. O recurso de rastreamento no leitor de áudio permite fazer ajustes finos à posição da cabeça de digitalização de som óptico para assegurar que você esteja obtendo a melhor qualidade possível.

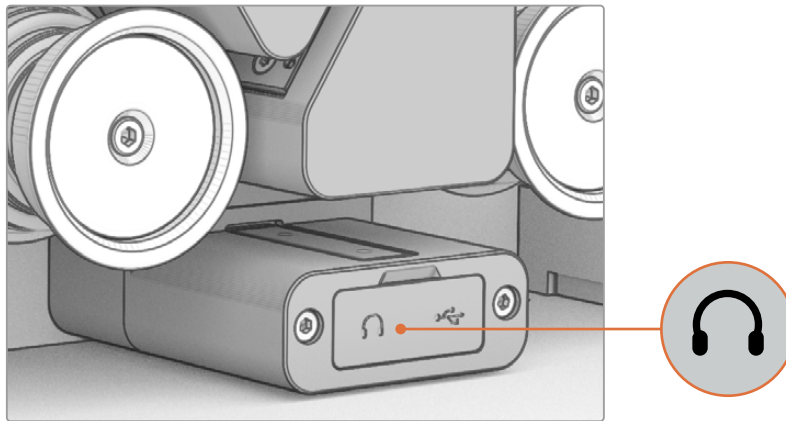
Como usar o recurso de rastreamento:

- 1 Plugue um conjunto de fones de ouvido ou um analisador de som no conector tipo jack de 3,5 mm para fones de ouvido do seu leitor. Abra a proteção antipoeira emborrachada para acessar o conector.

- 2 Com os fones de ouvido ou o analisador de som encaixados, utilize os controles de transporte do seu digitalizador para avançar até um trecho do filme onde o som esteja presente e reproduza o filme.
- 3 Ao ouvir ou analisar o som do seu filme, gire o knob no sentido horário ou anti-horário. O knob fica localizado na parte superior do seu leitor. À medida que você ajusta o knob, a cabeça de digitalização se aproximará ou distanciará da extremidade do filme para que você possa aperfeiçoar sua posição sobre a trilha óptica. Você também ouvirá a audibilidade e a clareza do som se alterarem conforme o rastreamento é ajustado. Um analisador de áudio será operado com o mesmo princípio, mas com mais precisão, conforme você mexe o knob de rastreamento.

Para pistas estéreo, basta fazer ajustes até encontrar a posição ideal onde ambos os canais estejam igualmente fortes, claros e sem distorções.

Para som mono, é efetivo configurar o tipo de áudio como estéreo ao ajustar o rastreamento. Isso permite que você utilize os canais estéreo esquerdo e direito para centralizar a trilha, o que certificará que a trilha mono será digitalizada com a melhor qualidade. Contudo, não se esqueça de redefinir o tipo de áudio como mono depois de ter otimizado o rastreamento.

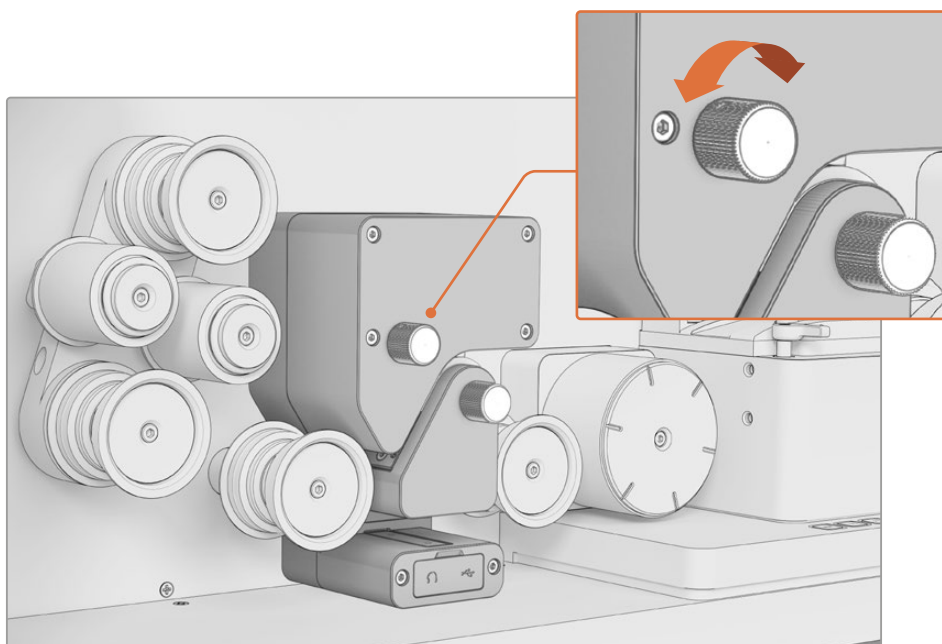


O conector de fone de ouvido do Audio and KeyCode Reader fica atrás de uma proteção antipoeira emborrachada na parte inferior do leitor.

Prévia de Áudio via HDMI e Fones de Ouvido

As trilhas sonoras em filmes são impressas muitos quadros à frente das imagens aos quais se sincronizam. Portanto, o Cintel Scanner atrasa automaticamente o som para que ele seja sincronizado a imagem via a saída HDMI e também sincronizado no clipe digitalizado.

A conexão de fone de ouvido faz a saída de áudio não sincronizado diretamente da pista de som em tempo real. Isso significa que quando você faz ajustes de rastreamento, é possível ouvir a diferença imediatamente, sem um atraso.



Girar o knob de rastreamento ajusta a posição da cabeça de áudio para que você possa aprimorar a qualidade da digitalização do som óptico.

Ao captar som óptico, seu leitor diminuirá sua luz LED caso o rolete do filme não esteja girando. O leitor se conforma ao status do digitalizador, portanto se o digitalizador entrar no modo de espera, o leitor também fará o mesmo.

Rastreamento com Áudio Magnético

A cabeça de áudio magnético do Audio and KeyCode Reader vem pré-configurada de fábrica e não necessita de ajuste. A natureza do som magnético significa que uma pequena quantidade de sobreposição não deve causar distorções, já que estas áreas não contêm informação magnética. Normalmente, também há menos variação no posicionamento das pistas magnéticas durante o processo de impressão e a cabeça magnética do leitor é um pouco superdimensionada para ajudar a compensar qualquer desalinhamento.

Rastreamento Avançado

Além dos ajustes de rastreamento listados aqui, o leitor também suporta:

- Ajuste de azimute e rastreamento para som magnético
- Ajuste de azimute para som óptico
- Ajuste de foco para som óptico

Para a maioria dos usuários, estas alterações nunca serão necessárias. Para informações sobre estes ajustes avançados, consulte a Central de Suporte Técnico da Blackmagic Design em www.blackmagicdesign.com/br/support

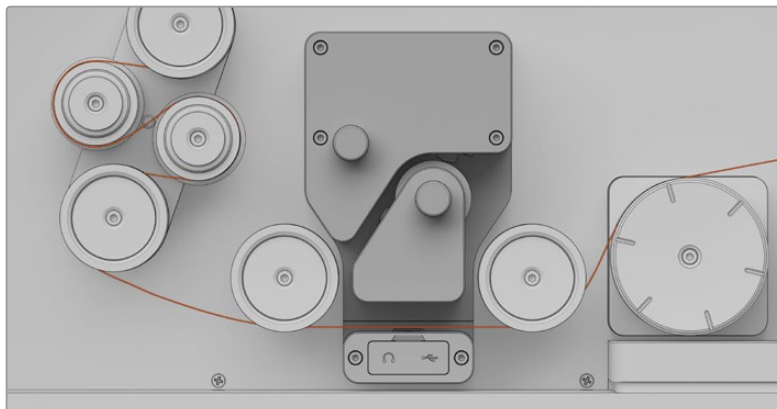
Iniciar a Digitalização

Após ter configurado o tipo de áudio e ajustado o rastreamento, basta iniciar a digitalização conforme detalhado na seção 'Digitalizando Uma ou Mais Seções do Filme'.

É importante observar que o DaVinci Resolve não começará a gravar um arquivo até que tenha sincronizado as informações de áudio e vídeo sendo enviadas pelo seu digitalizador. Como a informação de áudio é publicada alguns quadros à frente do quadro correspondido, isso significa que haverá uma breve pausa de aproximadamente um segundo entre a velocidade de alcance do seu digitalizador e a digitalização aparecendo na tela.

Lendo KeyKode

Ao digitalizar dados KeyKode, o processo de laçar o filme é exatamente o mesmo de laçar sem o leitor encaixado. O filme naturalmente passará pelo leitor KeyKode enquanto é transportado entre os roletes pela placa guia. O caminho para laçar corretamente é exibido abaixo.

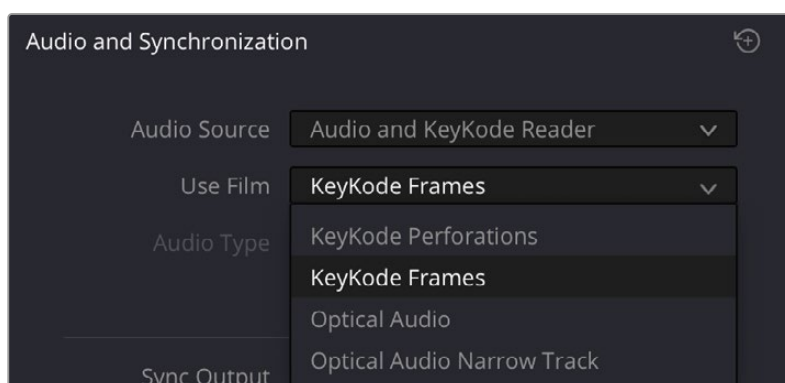


Enrole seu filme através da parte inferior do seu Audio and KeyKode Reader para digitalizar dados KeyKode.

OBSERVAÇÃO Ao captar informações KeyKode, certifique-se de que área da numeração de borda do seu filme atravesse o LED de digitalização.

Configurando o Leitor para Digitalização de KeyKode

Após o filme ser laçado pelo leitor de KeyKode e tensionado, será necessário assegurar que seu Cintel Scanner possa ler a numeração de borda. Vá até o painel de digitalização de filmes no DaVinci Resolve e selecione “Perfurações KeyKode” ou “Quadros KeyKode” no menu “Usar Filme”. Quando você exportar um arquivo DPX, as informações KeyKode serão representadas em quadros ou perfurações, dependendo da sua escolha.



Selecione “Perfurações KeyKode” ou “Quadros KeyKode” no menu “Usar Filme” para digitalizar dados KeyKode em cópias de filme negativo

Usar Filme

Utilize essas configurações para determinar as funções KeyKode ou leitura de áudio. Para informações sobre os dados KeyKode, consulte a seção ‘Lendo KeyKode’.

As configurações do leitor de KeyKode também incluem:

Perfurações KeyKode:

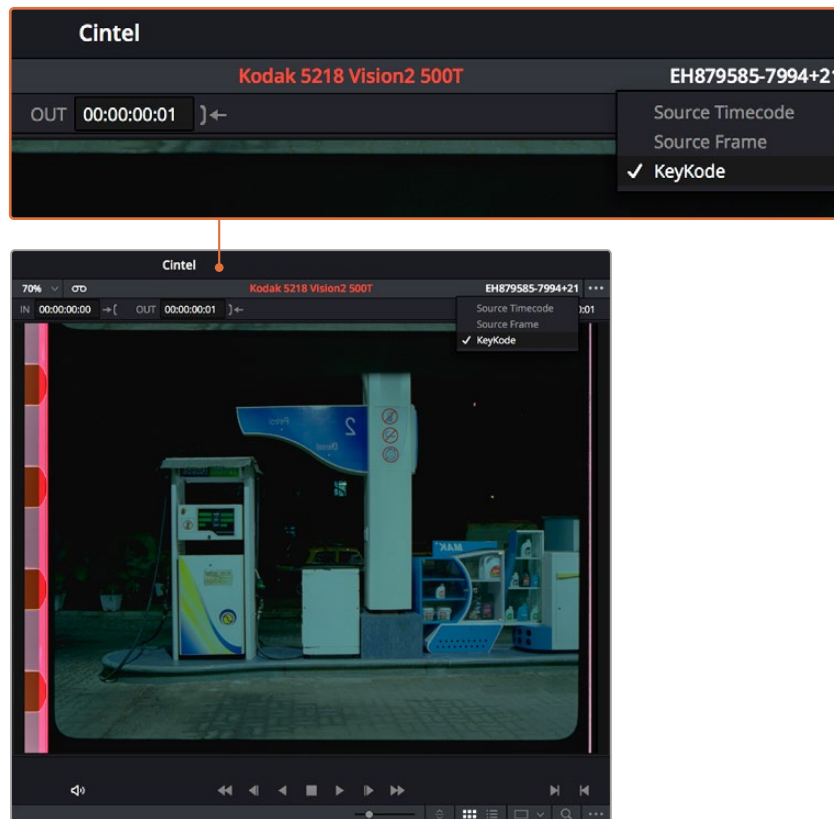
Selecione “Perfurações KeyKode” para gravar KeyKode com base na contagem de perfurações.

Quadros KeyKode

Selecione “Quadros KeyKode” com qualquer tipo de filme para gravar KeyKode baseado na contagem de quadros.

O leitor agora escaneará quaisquer informações de KeyKode presentes no filme e as salvará como metadados em cada clipe. Também é possível visualizar os metadados na parte superior do visualizador no painel de digitalização do DaVinci Resolve.

Para visualizar as informações, basta clicar no ícone de opções de visualização no canto superior direito do visualizador e selecionar “KeyKode” no menu.



Configure o visualizador para exibir os dados KeyKode ao clicar nas opções do visualizador no canto superior direito e selecionar “KeyKode” no menu.

As informações de KeyKode frequentemente são captadas para inclusão em intermediários digitais DPX, como detalhado na próxima seção, mas esses metadados também estão disponíveis para uso nos painéis de edição e cores do DaVinci Resolve, da mesma forma que quaisquer outros metadados.

Transcodificando para DPX com Metadados KeyKode

Caso queira, você também pode configurar o DaVinci Resolve para transcodificar suas digitalizações para o formato de arquivo DPX, que manterá todos os metadados KeyKode.

Como transcodificar suas digitalizações para DPX:

- 1 Vá até a barra de menu no topo da tela e clique em “Arquivo” e selecione “Gerenciamento de Mídias”.

- 2 Na janela de gerenciamento de mídias, clique no ícone de clipes para transcodificar todos os clipes individualmente e selecione “Transcodificar”.
- 3 Configure o destino da suas mídias ao buscar sua pasta de armazenamento desejada e clicar em “OK”.
- 4 Habilite o botão de opção “Transcodificar todas as mídias” para transcodificar todas as mídias na sua linha de tempo.
- 5 Nas configurações de vídeo, defina o formato de vídeo para “DPX” e selecione a configuração para o seu codec desejado.
- 6 A resolução se corresponderá à resolução da linha de tempo automaticamente, mas é possível alterar a configuração se você desejar transcodificar para uma resolução diferente. Também é possível defini-la para corresponder à resolução original dos seus clipes ao habilitar a caixa de verificação “Renderizar na resolução original”.
- 7 Nas configurações de áudio, selecione a quantidade de canais de áudio que você deseja incluir nos seus arquivos DPX, ou selecione “Igual à origem” para corresponder ao áudio nos clipes de origem. Também configure sua profundidade de bits desejada.

Os ícones DaVinci na parte inferior da janela permitem que você visualize o tamanho atual da sua mídia e o tamanho da mídia após a codificação para arquivos DPX.

- 8 Clique em “Iniciar”.

Todos os clipes na sua linha de tempo agora serão transcodificados para arquivos DPX com KeyKode integrado. Para mais informações sobre a transcodificação dos seus arquivos Cintel Raw para outros formatos, consulte a seção ‘Media Management’ do manual DaVinci Resolve.

Você também pode renderizar seus arquivos Cintel Raw como arquivos DPX com KeyKode integrado ao visitar a página “Entrega” do DaVinci Resolve e exportar seus arquivos como arquivos DPX. Certifique-se de selecionar “Clipes Individuais” nas configurações de renderização para assegurar que cada arquivo seja exportado separadamente.

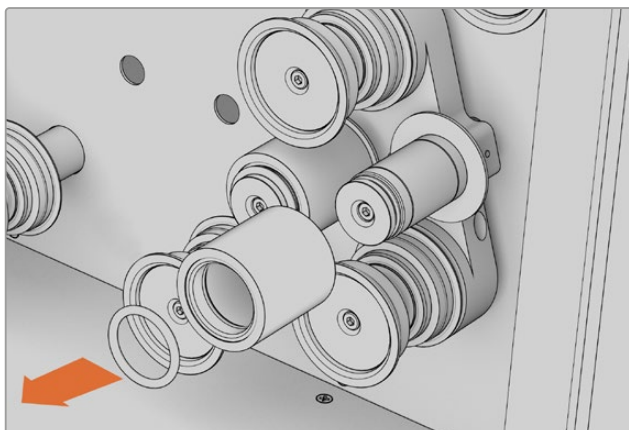
Manutenção

Para assegurar digitalizações de qualidade máxima, é importante manter o seu digitalizador limpo e sem poeira. Isso pode ser feito com facilidade ao limpar os roletes de transferência de partículas e usar um espanador de ar para limpar o resto das superfícies de contato do seu digitalizador, incluindo os roletes de borracha endurecida, roletes dentados e a placa guia.

Limpendo os Roletes de Transferência de Partículas

A limpeza dos roletes de transferência de partículas, ou PTRs, deve ser feita após todas as corridas de filme. Para limpar os roletes, basta remover o anel de vedação na extremidade de cada eixo PTR e deslizar o rolete para fora. Aplique água morna com sabão aos roletes usando detergentes domésticos e permita que sequem ao ar. Não recomendamos usar toalhas ou secadores, já que isso pode depositar novas partículas nos roletes ou deformá-los com o calor. Depois de secos, basta deslizar os roletes, recolocar o anel de vedação e você estará pronto para digitalizar.

Se os PTRs se tornarem difíceis de retirar ou instalar, aplique uma camada fina de graxa de silicone no interior dos anéis de vedação. Isso ajudará a manter a lubrificação para que fique mais fácil retirá-los para a limpeza.



Para limpar os roletes de transferência de partículas, basta remover o anel de vedação na extremidade de cada eixo PTR e deslizar o rolete para fora

Se você perceber que os seus roletes de transferência de partículas estão perdendo a aderência mesmo depois da limpeza, ou tenham se tornado difíceis de encaixar ou retirar com o tempo, ou desgaste, você pode adquirir novos roletes no site da Blackmagic Design em www.blackmagicdesign.com/br

Limpendo os Cabrestantes

Limpe os cabrestantes, conforme necessário, de preferência antes de digitalizar um novo rolo de filme. Permita que os cabrestantes sequem naturalmente antes de usar.

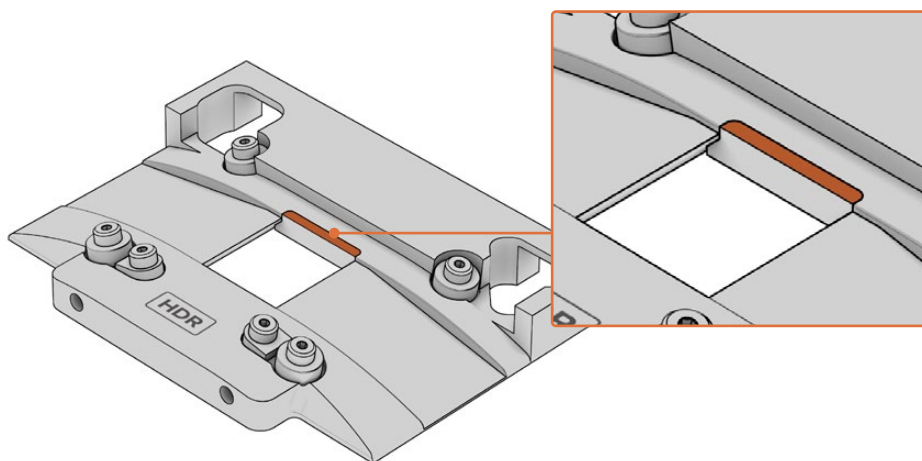
OBSERVAÇÃO É preciso ter cuidado para evitar danos causados por líquidos a eletrônicos próximos aos cabrestantes. Aplique apenas uma pequena quantidade de água em um pano sem fiapos. Não utilize solventes ou aerossóis ao limpar os cabrestantes.

Desempoeiramento

O desempoeiramento do seu digitalizador deve ser realizado diariamente. Fazer isto é tão fácil quanto usar um soprador de ar para remover quaisquer partículas da área de digitalização, roletes dentados ou qualquer outra superfície em contato com o filme. Esta ação é mais eficiente quando realizada com a placa guia ou abertura removidas.

Ao desempoeirar, o pequeno enchimento plástico da janela de abertura do seu digitalizador requer uma atenção especial. O acúmulo de poeira nessa área pode afetar o desempenho da estabilização, portanto, ocasionalmente, é recomendável limpá-la com um pano úmido.

Ao limpar a abertura de 8 mm opcional, utilize um spray de ar comprimido ou um pano sem fiapos para limpar as superfícies dos rolamentos e os obturadores da abertura. Além disso, é recomendável limpar ocasionalmente os compartimentos dos rolamentos para evitar o acúmulo de poeira.



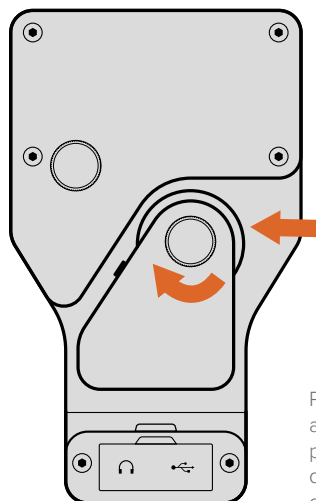
Preste atenção especial ao enchimento ao desempoeirar.

Ocasionalmente, pode ser que você queira limpar a lente sobre a fonte de luz RGB do seu digitalizador. Isso pode ser feito com um pano limpo e uma pequena quantidade de álcool isopropílico.

Tanto espanadores de ar quanto álcool isopropílico estão disponíveis na maioria das lojas de artigos eletrônicos.

Limpendo o Rolete do Audio and KeyCode Reader

O Audio and KeyCode Reader contém um rolete emborrachado para filmes laçados pela sua pista superior. Ele deve ser limpo ocasionalmente com um pano umedecido. Basta retirar qualquer filme laçado pela pista superior e segurar um pano umedecido contra o rolete enquanto gira o knob de limpeza para se livrar de qualquer acúmulo de poeira.

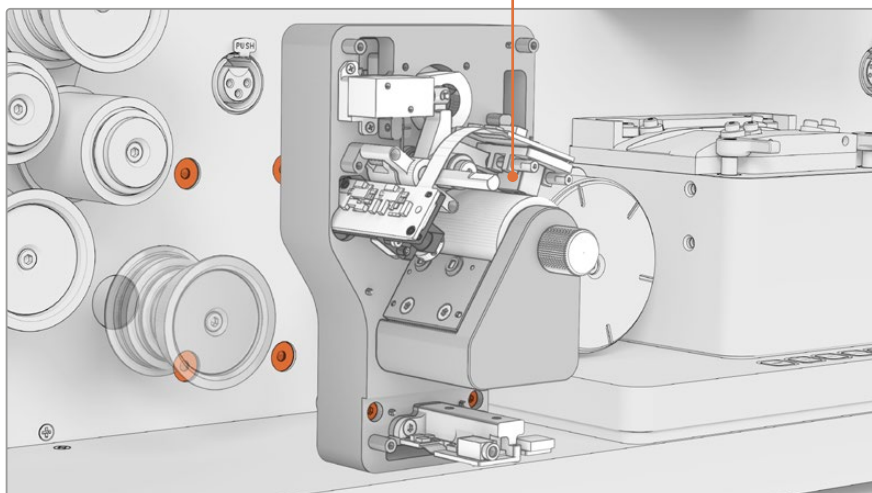
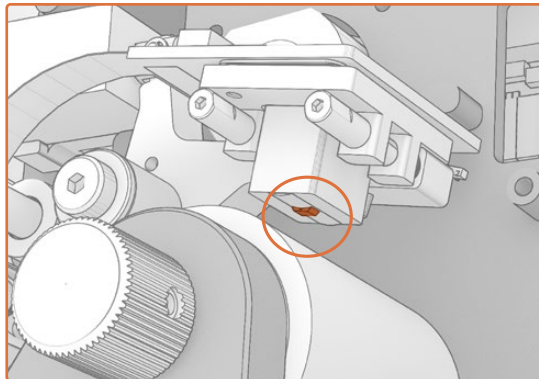


Para limpar o rolete de filme do Audio and KeyCode Reader, segure um pano umedecido contra a superfície do rolete enquanto gira o knob do rolete para limpar a poeira.

Recomendamos usar apenas água para limpar os roletes e a cabeça magnética do Audio and KeyKode Reader. Álcool, xileno e outros químicos não são necessários e podem danificar o acessório leitor.

Limpendo a Cabeça de Áudio Magnética do Audio and KeyKode Reader

Ocasionalmente, você deve limpar a cabeça magnética do Audio and KeyKode Reader. Para limpar a cabeça magnética, retire a tampa protetora do leitor ao remover os quatro parafusos M3 com uma chave Allen de 2,5 mm.



Retire a tampa superior do Audio e KeyKode Reader para acessar a cabeça magnética.

Com a cabeça magnética exposta, basta mergulhar um cotonete em água e sacudir para remover o excesso. Depois, escove a superfície da cabeça magnética cuidadosamente para retirar a poeira. Permita que a cabeça seque ao ar por alguns minutos antes de reinstalar a tampa protetora do leitor.

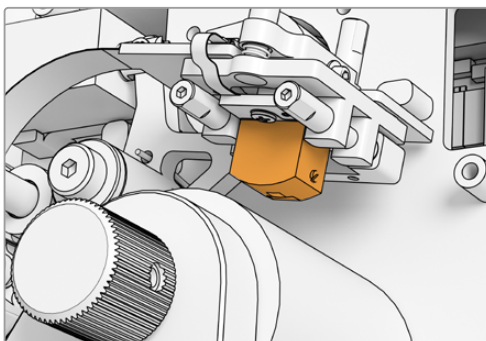
A cabeça magnética é desmagnetizada na fábrica e não necessita de desmagnetização adicional.

Peças de Reposição para o seu Cintel Scanner

Partes dos principais componentes do seu Cintel Scanner estão disponíveis através do seu revendedor Blackmagic Design local. Geralmente, a manutenção do seu Cintel Scanner é muito fácil e intuitiva. No entanto, se necessário, a documentação pode ser providenciada pela assistência técnica autorizada local.

Substituição da Cabeça Magnética

À medida que a fita de filme magnético passa sobre a cabeça magnética no Cintel Audio and KeyKode Reader, a superfície é polida lentamente, desgastando a folga do cabeçote de leitura e reduzindo a qualidade de áudio. Recomendamos a substituição da cabeça magnética a cada dois ou três anos, dependendo do uso.



OBSERVAÇÃO Há duas versões da Cabeça Magnética Cintel Scanner:

Cabeça Magnética Versão 1

Esta versão da cabeça magnética não está mais disponível e está instalada em modelos Audio and KeyKode Reader mais antigos com um número de série anterior a 6943522.

Cabeça Magnética Versão 2

Esta é a versão atual da cabeça magnética instalada em modelos Audio and KeyKode Reader com o número de série 6943522 e posteriores.

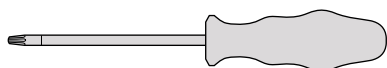
Se você tiver a versão 2 da cabeça magnética instalada no seu Audio and KeyKode Reader, você pode seguir o procedimento nesta seção do manual para substituir sua cabeça magnética.

Se tiver a primeira versão da cabeça magnética instalada, você precisará atualizar com um modelo versão 2. Este processo de atualização é mais complexo e requer peças adicionais, além de habilidade técnica mais avançada para ser realizado. Para mais informações, consulte o documento “Cintel Audio and KeyKode Reader V2 Upgrade Procedure”.

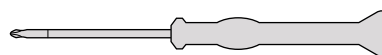
Alternativamente, nosso departamento de vendas pode fazer a atualização para você. Para baixar o documento com o processo de upgrade ou para entrar em contato com o suporte técnico, visite www.blackmagicdesign.com/br/support. Após a conclusão do procedimento de serviço, o processo é idêntico ao da cabeça magnética da versão 2.

Ferramentas Necessárias

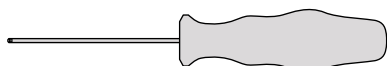
A seguinte lista de ferramentas é necessária:



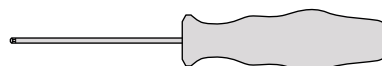
Chave T10.



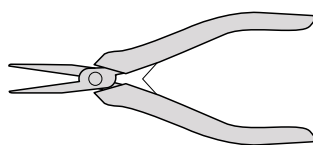
Chave PH 00.



Chave hex 1,5 x 60.



Chave hex 2,5 mm.



Pinças ou alicates pequenos.

OBSERVAÇÃO Use ferramentas não magnéticas para evitar a necessidade de desmagnetizar a cabeça magnética e garantir um desempenho ideal.

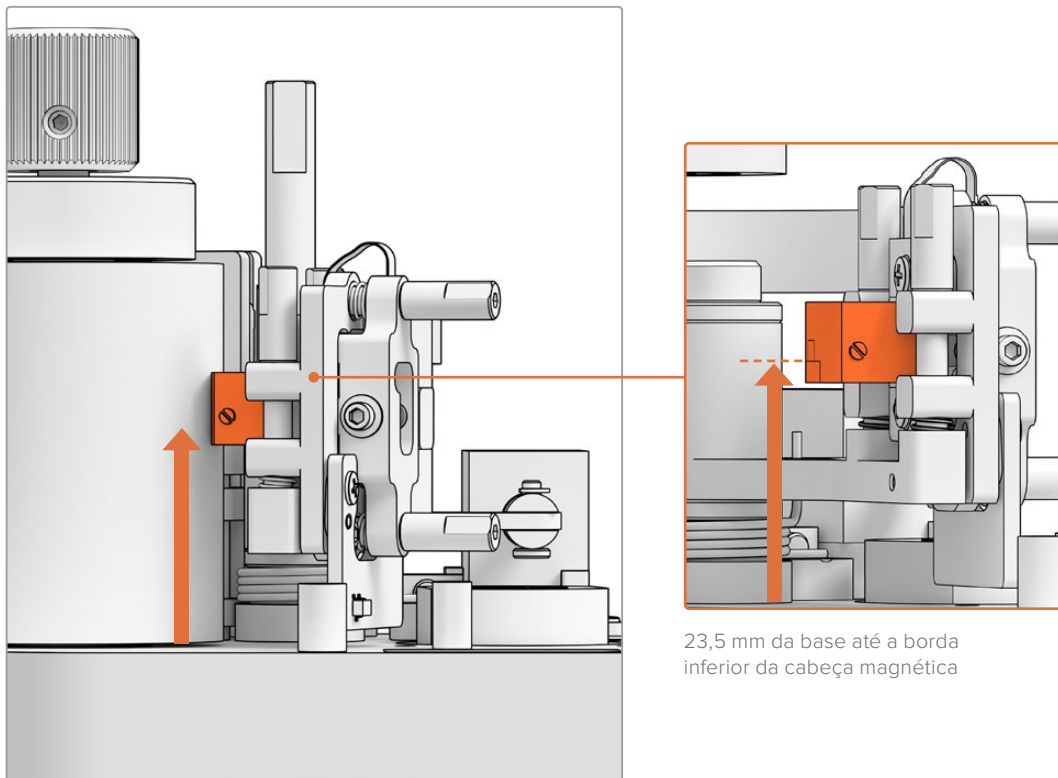
Antes da Atualização

Para garantir o desempenho ideal do Audio and KeyCode Reader, recomendamos captar áudio de referência antes da substituição para que você possa comparar a qualidade do som.

Os seguintes tipos de filme de referência são bons exemplos para áudio de referência:

- Filme de teste magnético S16 mm Bezugs BF16-10A DIN 15638 multifrequência a 25fps.
- Filme S16 mm SepMag.
- Líder S16 mm. Branco.
- S16 mm ComOpt SMPTE P16MF multifrequência.
- S35 mm ComOpt SMPTE P35MF multifrequência.
- Um filme magnético combinado ComMag adequado com referência do cliente.
- Um filme combinado óptico ComOpt adequado com referência do cliente.

Anote a posição original da cabeça magnética. Essa informação é essencial para verificar o rastreamento ao reconstruir o leitor após a atualização. Certifique-se de medir a partir da base do leitor até a extremidade da superfície de contato da cabeça magnética. A medida ideal é de aproximadamente 23,5 mm.

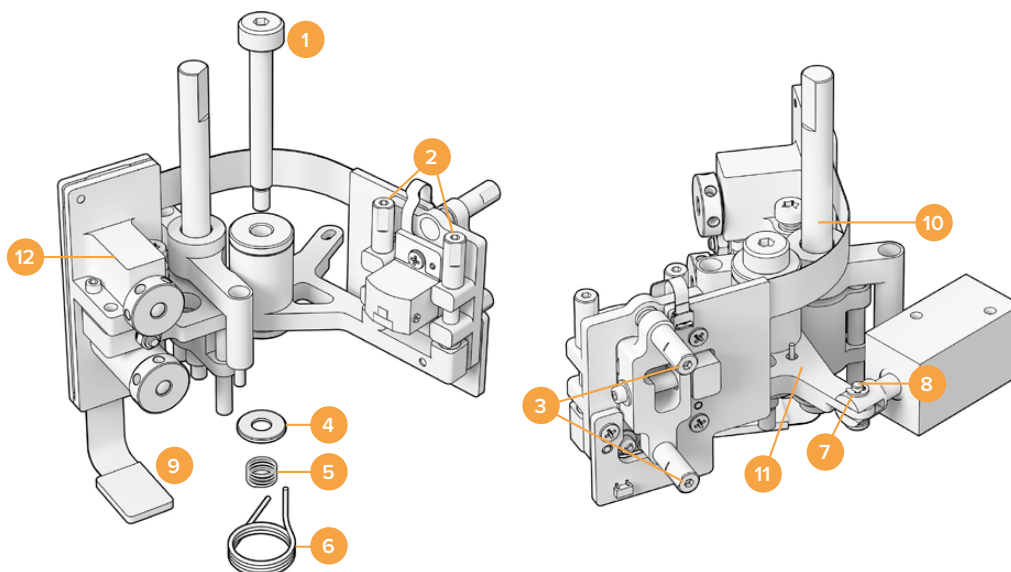


Altura da cabeça magnética a partir da base do leitor

Após concluir as verificações de rastreamento, você pode remover o leitor do digitalizador. Para instruções, consulte a seção 'Encaixando o Audio and KeyCode Reader' mais adiante neste manual.

Substituindo a PCB da Cabeça Magnética

Antes de começar a trocar a cabeça magnética, consulte a ilustração abaixo para se familiarizar com as partes do subconjunto da cabeça magnética.

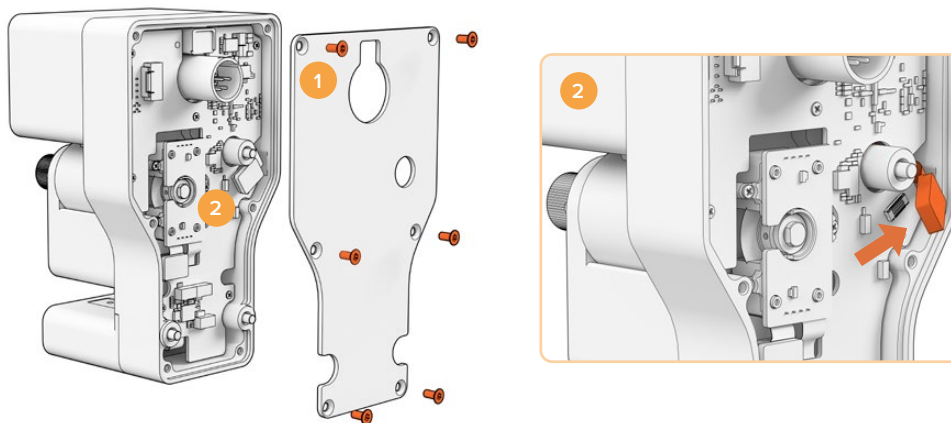


Subconjunto do Braço da Cabeça Magnética

- | | | | |
|---|---|----|------------------------------------|
| 1 | Parafuso de ombro M3. | 6 | Mola do braço da cabeça magnética. |
| 2 | Parafusos de azimute A1 e A2 para ajuste perpendicular. | 7 | Presilha E. |
| 3 | Parafusos de zênite B1 e B2 para ajuste da inclinação. | 8 | Pino Clevis. |
| 4 | Retentor de mola helicoidal. | 9 | Conector da PCB do braço de áudio. |
| 5 | Mola de pré-carga. | 10 | Suporte de ajuste de altura. |
| | | 11 | Braço da cabeça magnética. |
| | | 12 | Bloco óptico. |

Assim que estiver familiarizado com os componentes do Audio and KeyKode Reader e tiver todas as ferramentas necessárias preparadas, você pode iniciar o processo de substituição da cabeça magnética.

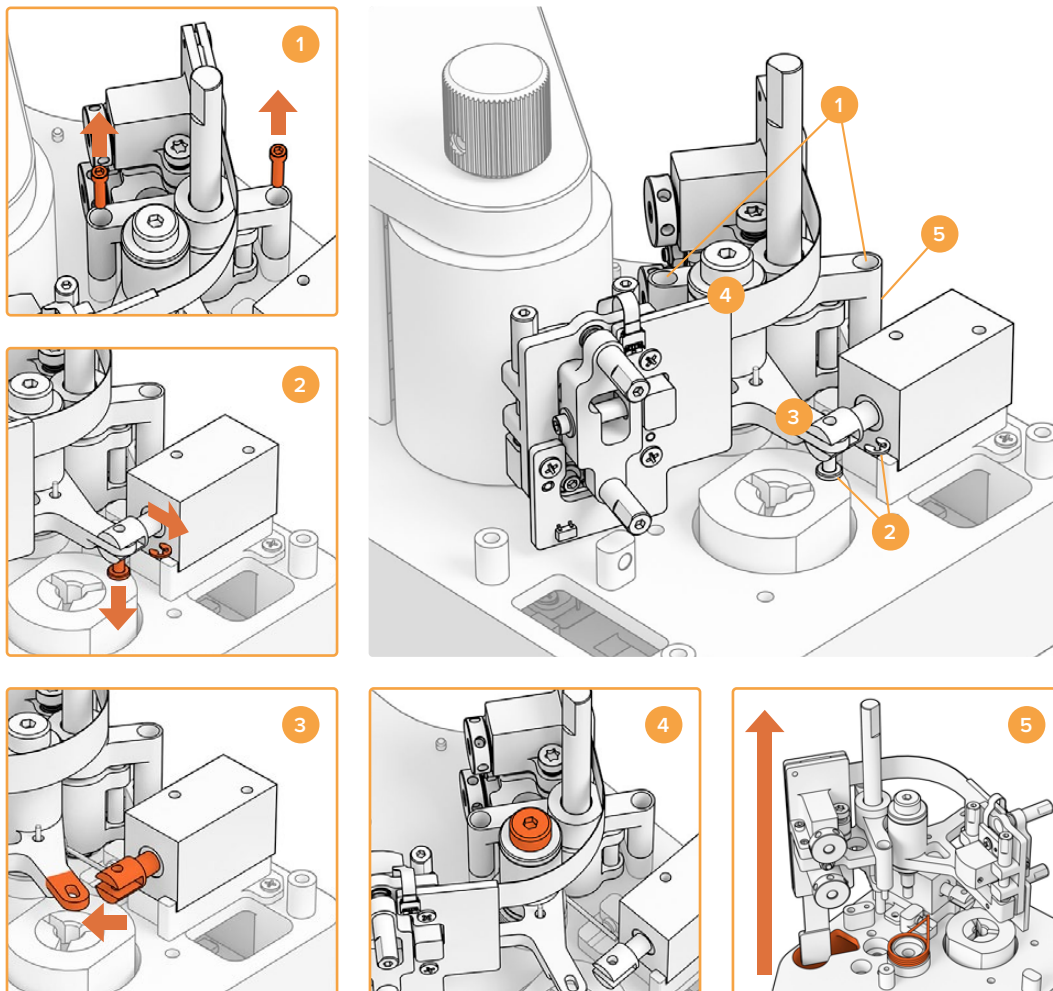
Remover a Placa Traseira do Leitor



1. Removendo a placa traseira 2. Desconectando o subconjunto.

- 1 Para acessar a parte traseira da PCB principal, será necessário remover a tampa traseira. Usando uma chave T10, desaparafuse os seis parafusos Torx M3 de cabeça escareada e remova a tampa.
- 2 Na parte traseira do leitor, vire a trava do conector para desconectar o subconjunto da PCB principal.

Removendo o Subconjunto



1. Remoção do suporte de ajuste da altura 2. Presilha "E" do solenoide e pino Clevis
3. Desencaixe do braço da cabeça magnética 4. Parafuso de ombro M3 5. Remoção do subconjunto

- 1 Cuidadosamente, posicione o leitor de costas. Remova os dois parafusos de cabeça sextavada M2 de cada lado do suporte de ajuste de altura usando a chave hex 1.5.
- 2 Usando um par de pequenas pinças ou alicates, remova cuidadosamente a presilha "E". Isso permitirá que você puxe o pino Clevis e desconecte o braço do solenoide.

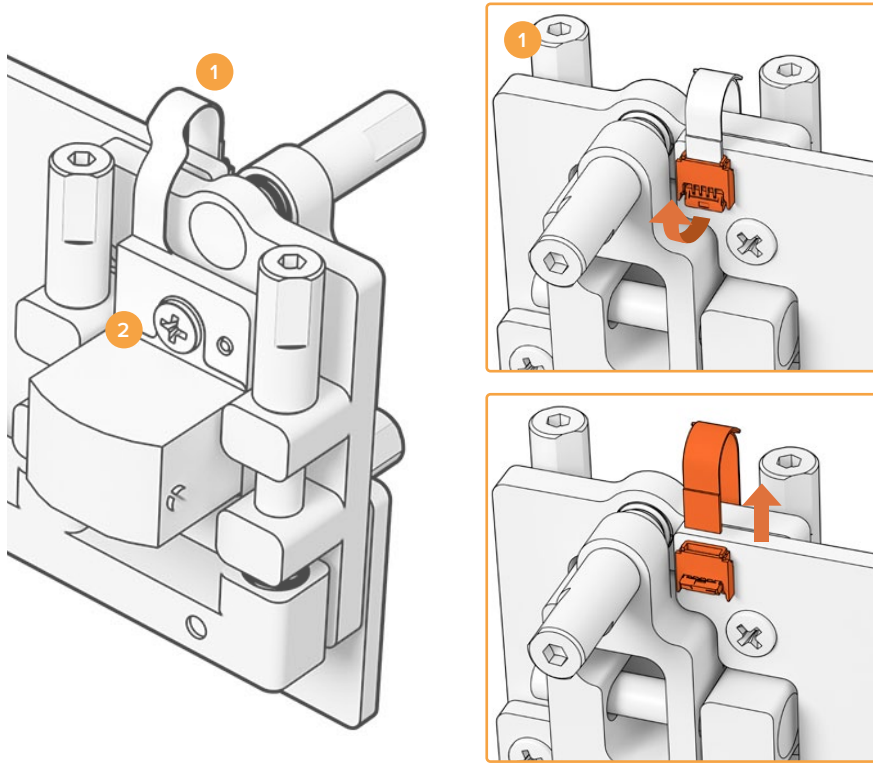
DICA Para remover corretamente o pino, gire o braço de áudio até que o pino possa passar pelo espaço entre a porca de aperto e o solenoide. A porca de aperto é a porca na parte de trás do conector XLR que fixa o cabo.

- 3 Puxe o braço da cabeça magnética lateralmente para liberar o subconjunto do solenoide.
- 4 Use uma chave hex de 2,5 mm para remover o parafuso de ombro M3.

- 5 Puxe cuidadosamente o subconjunto para fora do leitor, garantindo que o conector da PCB do braço de áudio passe pelo orifício na PCB principal. A mola do braço da cabeça magnética pode se soltar durante esta etapa. Mantenha-a em segurança até que o subconjunto seja remontado.

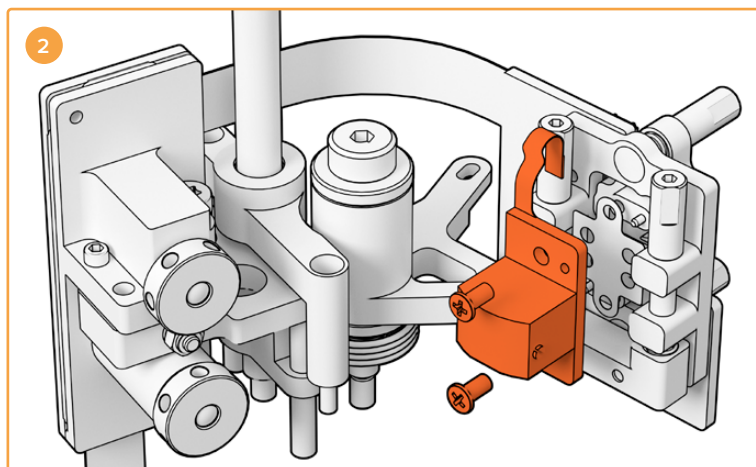
Retire o retentor da mola helicoidal e a mola de pré-carga do parafuso de ombro, e a mola do braço da cabeça magnética do soquete de montagem.

Removendo a Cabeça Magnética



1. Trava do conector da PCB 2. Desencaixe da cabeça magnética

- 1 Na parte de trás da PCB do braço de áudio, vire a trava do conector para liberar a PCB flexível da cabeça magnética. Uma vez destravada, puxe a PCB flexível para fora. Uma vez destravada, puxe a PCB flexível para fora.

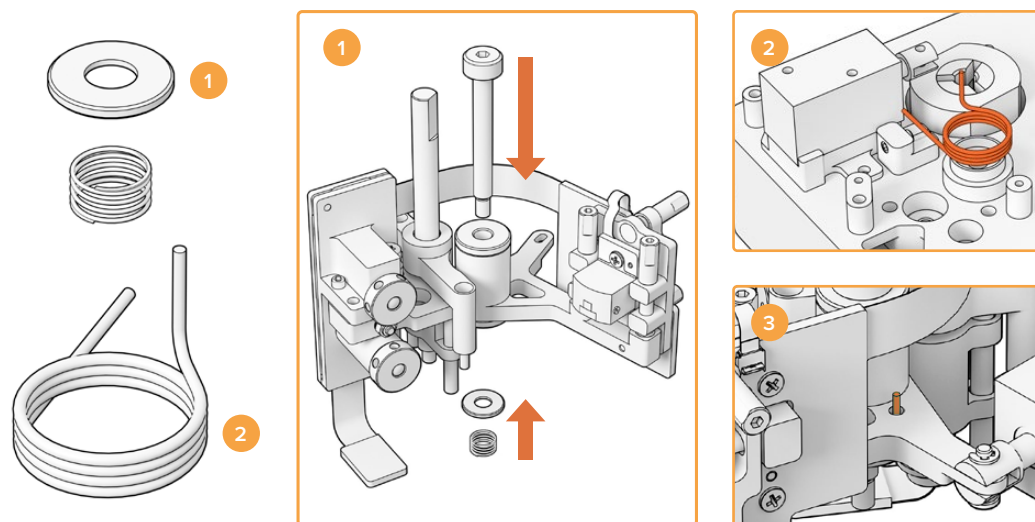


- 2 Desparafuse os dois parafusos de cabeça chata M2 usando uma chave PH00 para soltar a PCB original da cabeça magnética do suporte de azimute magnético. Agora, você pode descartar a antiga PCB da cabeça magnética.

Para fixar a nova cabeça magnética, basta seguir estas instruções de remoção da cabeça magnética na ordem inversa.

Remontando o Subconjunto

Após a substituição da cabeça magnética, você pode prosseguir com a reconstrução e fixação do subconjunto ao Audio and KeyKode Reader.



1. Retentor da mola helicoidal e mola de pré-carga 2. Mola do braço da cabeça magnética
3. Insira a mola do braço da cabeça magnética no braço de áudio

- 1 Deslize o retentor da mola helicoidal sobre o parafuso M3 com o lado indentado virado para baixo. Em seguida, deslize a mola de pré-carga sobre o parafuso M3.
- 2 Coloque a mola do braço da cabeça magnética no soquete de montagem.
- 3 O braço de áudio tem um pequeno orifício para a extremidade voltada para cima da mola do braço da cabeça magnética. Ao instalar o subconjunto, insira a extremidade voltada para cima da mola no orifício.
- 4 Depois de colocar essas molas no subconjunto e no soquete de montagem, você pode fixar o subconjunto ao leitor. Basta seguir as instruções nas seções anteriores em ordem reversa.

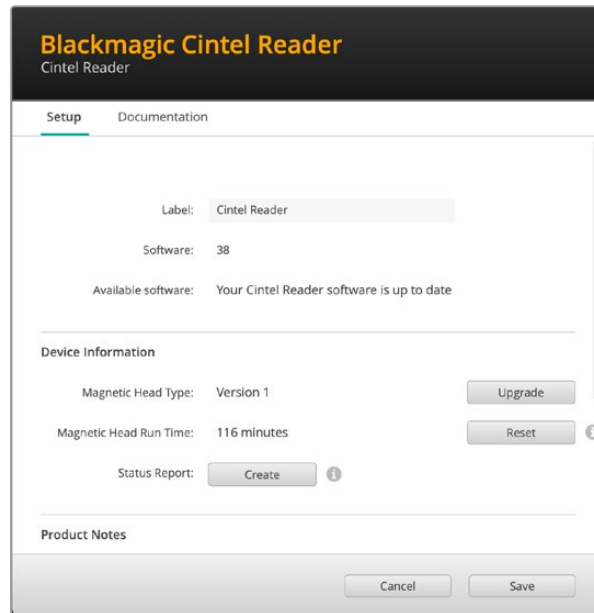
DICA Ao fixar o subconjunto ao leitor, certifique-se de que o conector da PCB do braço de áudio seja introduzido pelo pequeno orifício na PCB principal.

Com a submontagem concluída, agora você pode reencaixar o Audio and KeyKode Reader ao Cintel Scanner. Conecte o leitor à porta XLR do Cintel e fixe-o usando os três parafusos M3 cativos.

Não encaixe as capas dianteiras do leitor ainda, pois será necessário ter acesso aos componentes para o processo de calibração e teste.

Redefinir Tempo de Execução da Cabeça Magnética

Após substituir a cabeça magnética do Audio and KeyCode Reader, será necessário redefinir o contador do tempo de execução usando o utilitário Cintel Setup.



Na seção “Device Information”, clique no botão rotulado “Reset”. Isso redefinirá o contador do tempo de execução para que você monitore o uso da nova cabeça magnética e acompanhe quando poderá ser necessário substituí-la novamente.

O botão “Upgrade” no utilitário Cintel Setup destina-se exclusivamente à atualização de hardware da versão 1 para 2 da cabeça magnética. Para mais detalhes, entre em contato com o suporte técnico em www.blackmagicdesign.com/br/support.

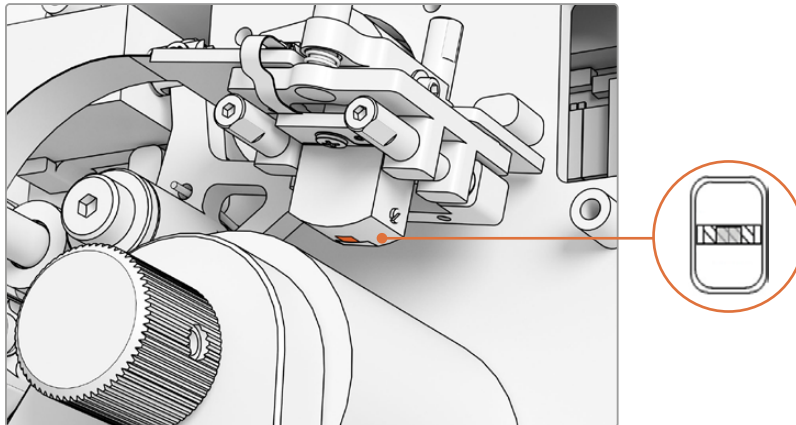
Verificando o Alinhamento da Cabeça

Um alinhamento preciso da cabeça magnética é crucial para obter gravações de áudio de alta qualidade e para reduzir o desgaste desigual da cabeça magnética.

Utilize o DaVinci Resolve para captar arquivos de áudio magnético e óptico adequados para comparação com seus arquivos de dados originais. Recomendamos utilizar os seguintes filmes de referência para testar a resposta da sua cabeça magnética atualizada:

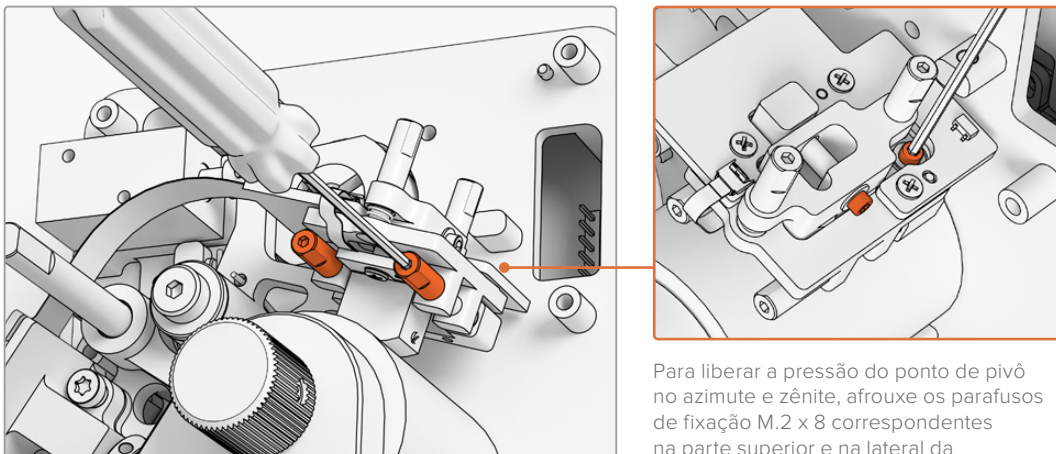
- Filme de teste magnético S16 mm Bezugs BF16-10A DIN 15638 multifrequência a 25 fps.
- Filme S16 mm SepMag.
- Líder S16 mm. Branco.
- S16 mm ComOpt SMPTE P16MF multifrequência.
- S35 mm ComOpt SMPTE P35MF multifrequência.
- Um filme magnético combinado de referência adequado, ou CoMAG, e filmes ópticos combinados, ou ComOpt.

Cabeça Magnética



Cabeça magnética dentro do Audio and KeyCode Reader

Ao ajustar a posição e o ângulo da cabeça magnética, preste atenção à guinada, zênite, altura de rastreamento e azimuth. Utilize a chave hexagonal 1,5 x 60 para ajustar o azimuth e o rastreamento nos parafusos A1 e A2, e, se necessário, o zênite e a guinada nos parafusos B1 e B2.

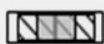


Ajuste o azimuth da cabeça magnética girando os parafusos A1 e A2 com uma chave de fenda de 1,5 mm

Para liberar a pressão do ponto de pivô no azimuth e zênite, afrouxe os parafusos de fixação M.2 x 8 correspondentes na parte superior e na lateral da PCB da câmera magnética

Avaliando o padrão de desgaste:

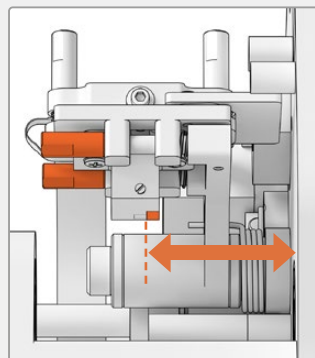
- 1 Utilize uma caneta marcadora na superfície da cabeça da fita.
- 2 Execute o transporte do filme com um líder de 16 mm por apenas 3 a 5 segundos.
- 3 Examine o padrão de desgaste na cabeça para igualar o desgaste em ambos os lados da folga da cabeça e ajuste conforme necessário. Adicione mais marcadores se forem necessárias várias execuções.
- 4 Remova o excesso de marcador com álcool quando estiver satisfeito.



O alinhamento correto resulta em um padrão de desgaste uniforme.

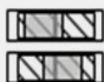
Rastreamento

Utilize os parafusos horizontais de azimute A1 e A2 para alinhar fisicamente a cabeça a uma trilha SepMag de 16 mm. Conforme medido antes da montagem, procure ajustar a distância entre a superfície da cabeça magnética e a base do leitor para aproximadamente 23,5 mm. Observe que todos os parafusos de ajuste são munidos de mola e têm amortecimento de graxa, portanto, não é necessário aplicar torque.

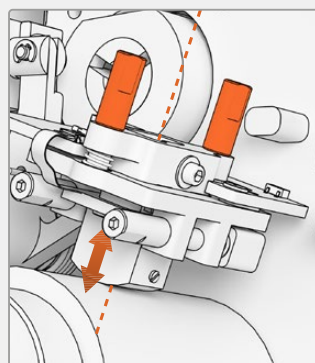


Altura

Para ajustar a altura da cabeça magnética, gire igualmente os parafusos B1 e B2 verticais. Examine a altura da cabeça em relação ao alinhamento do filme. Isso ajuda a garantir que o padrão de desgaste esteja centralizado com a folga na cabeça magnética.



A altura incorreta resulta em um padrão de desgaste desigual.

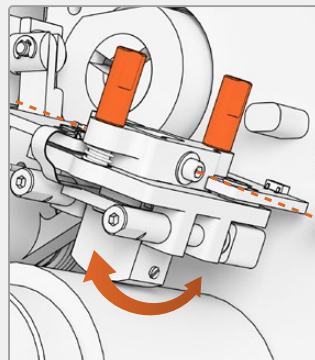


Zênite

Para ajustar o zênite, também conhecido como a inclinação, gire os parafusos B1 e B2 verticais individualmente. Examine o ângulo da tangente da cabeça em relação ao alinhamento com o filme. Isso ajuda a garantir que o desgaste causado pelo contato com a folga



O zênite incorreto resulta em um padrão de desgaste desigual.

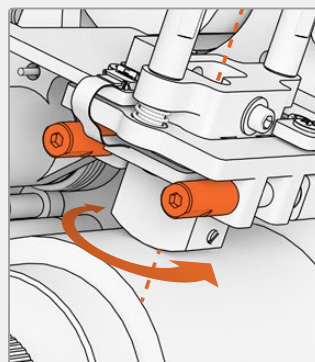


Azimute

Os parafusos horizontais A1 e A2 do ajuste de azimute definem a posição perpendicular da cabeça. Ajuste os parafusos de azimute A1 e A2 para obter modulação de sinal e linearidade de fase máximas.

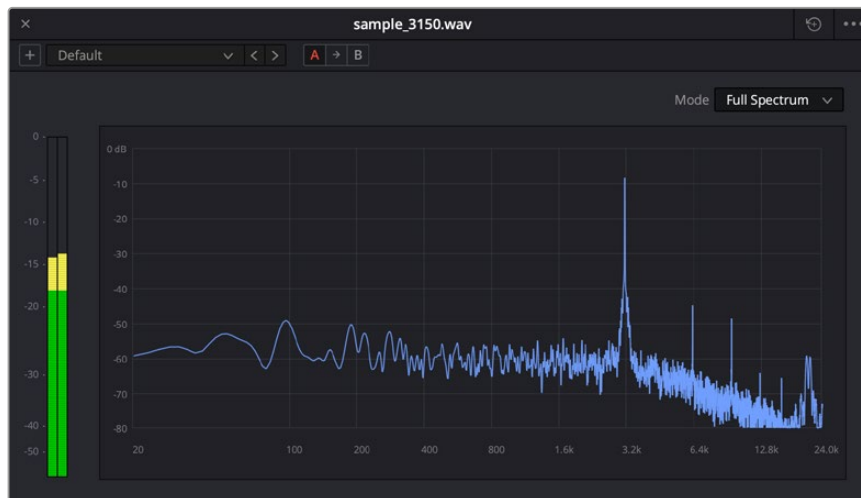


O azimute incorreto resulta em um padrão de desgaste desigual e uma resposta de alta frequência inadequada.



OBSERVAÇÃO Depois que realizar os ajustes e estiver satisfeito com o desempenho da nova cabeça magnética, fixe novamente o azimute e zênite girando os parafusos de fixação M.2 x 8.

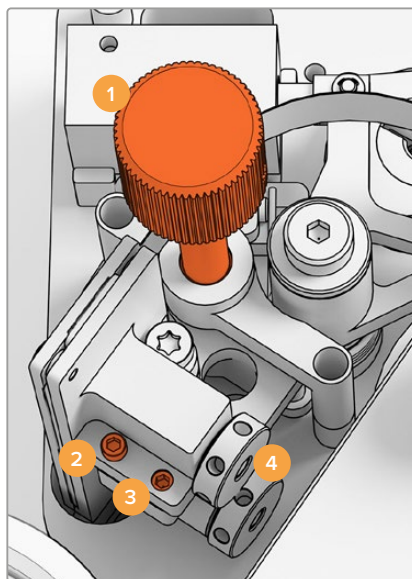
DICA Utilize um filme de teste de tom com a frequência mais alta possível, de preferência 10 kHz. Capture e analise a forma de onda (.wav) e a FFT no DaVinci Resolve, utilizando a ferramenta “Analisador de Frequência” no conjunto de ferramentas Fairlight. Como alternativa, você pode utilizar uma ferramenta de análise em tempo real de terceiros, se disponível através da saída de fone de ouvido ou do dispositivo de áudio Desktop Video para o Cintel Scanner.



Exemplo de uma trilha 3,15 kHz W&F no Analisador de Frequência

Verificando o Alinhamento do Bloco Óptico

Certifique-se de que o bloco óptico de áudio está operando corretamente verificando o alinhamento das lentes ópticas de áudio.



1. Knob de ajuste do rastreamento
2. Parafuso M2 de ajuste azimute
3. Parafuso M3 de travamento do azimute
4. Lentes ópticas de áudio

Altura do Rastreamento

Ajuste o knob de altura do rastreamento para alinhar as lentes ópticas de áudio com as trilhas de áudio em filmes de 16 mm e 35 mm. Certifique-se de as lentes estejam cobrindo cada trilha de áudio discreto, sem cortar as outras. Você pode avaliar a intensidade do áudio captando um filme óptico combinado, ou ComOpt, e revisando a forma de onda e FFT na página Fairlight do DaVinci Resolve com a ferramenta “Analisador de Frequência”. Como alternativa, você pode utilizar uma ferramenta de análise em tempo real de terceiros, se disponível através da saída de fone de ouvido ou do dispositivo de áudio Desktop Video para o Cintel Scanner.

Azimute

O azimute para o bloco óptico é pré-ajustado na fábrica. Siga os passos abaixo apenas no caso improvável de ser necessário ajustar o azimute.

- 1 Solte o parafuso M3 de travamento do azimute com uma chave hex de 1,5 mm.
- 2 Utilizando um filme de teste de tom estéreo de 35 mm com alta frequência, gire o parafuso M2 do ajuste de azimute para garantir que os canais de áudio esquerdo e direito estejam alinhados e em fase.
- 3 Quando estiver satisfeito com os resultados, ajuste o azimute fixando o parafuso de travamento de azimute.

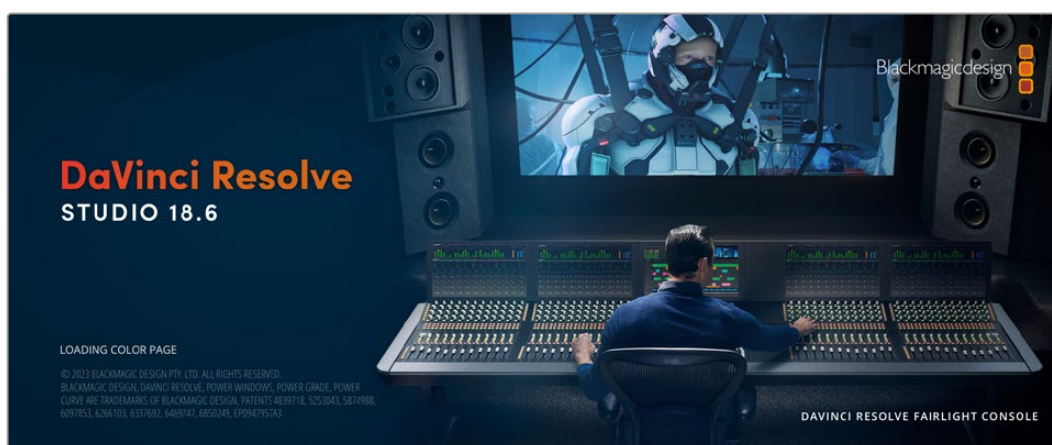
OBSERVAÇÃO Ocasionalmente, fixar o parafuso de travamento pode afetar ligeiramente as configurações de azimute. Se isso ocorrer, basta repetir os passos acima.

Após concluir a calibração da cabeça magnética e do bloco óptico de áudio, recoloque a tampa frontal e reinstale os quatro parafusos M3 cativos com uma chave hex de 2,5 mm. Com a tampa devidamente fixada, você pode reencaixar o knob de ajuste usando uma chave hex de 1,5 mm.

Trabalhando com Clipes no DaVinci Resolve

Você pode usar a ferramenta de clonagem na página “Mídias” do DaVinci Resolve para criar execuções de backup à medida que digitaliza seus clipes. Isto é recomendado, já que qualquer tipo de mídia é suscetível a danificar-se ou apresentar uma avaria, assim a criação de backups assegura que seus arquivos digitalizados estejam imunes à perda. Depois de usar o DaVinci Resolve para fazer o backup de suas mídias, você pode adicionar seus clipes digitalizados ao pool de mídia e, então, organizar os clipes em uma linha de tempo, fazer a correção de cores e finalizar sua produção sem precisar sair do DaVinci Resolve.

DICA Você pode identificar clipes HDR com o ícone HDR no canto inferior esquerdo da miniatura do clipe.



Como seu Cintel Scanner capta um formato de imagem raw CRI com amplo alcance dinâmico, o DaVinci Resolve o ajudará a ajustar seus planos para obter qualquer tipo de look desejado. O DaVinci Resolve é a mesma ferramenta usada na maioria dos blockbusters, então ele é muito mais do que uma simples ferramenta de software de edição não linear, pois possui uma tecnologia extremamente avançada integrada para cinema digital de alto nível. Você pode tirar proveito dessa tecnologia ao usar o DaVinci Resolve para editar e corrigir as cores da sua digitalização.

Informações sobre como começar a utilizar o DaVinci Resolve com seus arquivos digitalizados estão incluídas nesta seção. Naturalmente, o DaVinci Resolve é altamente avançado e conta com uma gama de recursos muito além do que se percebe inicialmente ao explorar sua interface. Para saber mais sobre como usar o DaVinci Resolve, consulte o manual de instruções do software no site da Blackmagic Design, onde você também encontrará muitos cursos de treinamento e tutoriais em vídeo.

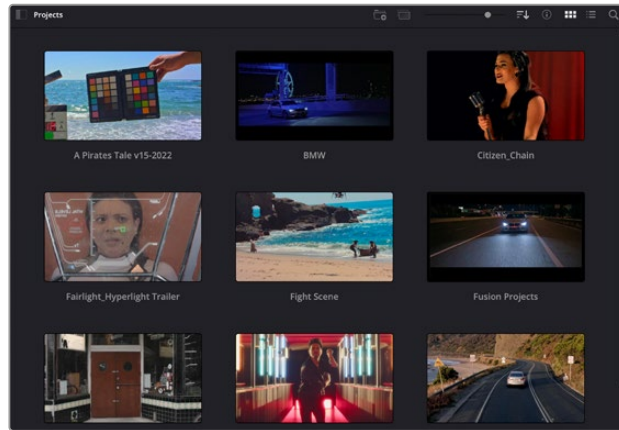
Gerente de Projetos

Antes de importar os seus clipes e começar a editar, será necessário definir seu projeto usando o gerente de projetos.

O gerente de projetos é a primeira tela que você verá ao iniciar o DaVinci Resolve, mas você pode abrir o gerenciamento a qualquer momento ao clicar no ícone de “casa” no canto inferior direito da interface do usuário. Isto é útil quando você deseja abrir projetos anteriores e criar novos projetos.

Para criar um novo projeto, clique em “Novo Projeto” na parte inferior da janela e dê um nome ao seu projeto. Clique em “Criar”.

Usando a página Corte, você pode começar a sua montagem imediatamente.



O gerente de projeto exibe todos os projetos que pertencem ao usuário atual.

Para mais informações sobre o gerente de projetos, consulte o manual DaVinci Resolve que está disponível para download na página de suporte no site da Blackmagic Design.

Editando com a Página Corte

A página Corte oferece um fluxo de trabalho rápido e dinâmico que permite que você monte, apare e edite cliques eficientemente.

Duas linhas de tempo ativas permitem que você trabalhe com toda a sua edição, além de uma área detalhada simultaneamente. Isso significa que você pode arrastar cliques para qualquer lugar em uma linha de tempo extensa e depois refine sua edição em uma linha de tempo detalhada dentro da mesma área de trabalho. Ao usar este fluxo de trabalho, você pode editar em um laptop sem a necessidade de ampliar e reduzir o zoom e rolar conforme você trabalha, o que pode poupar bastante tempo.

Layout da Página Corte

Ao abrir a página Corte, você verá o pool de mídias, a janela do visualizador e a linha de tempo. Estas três janelas principais oferecem controle completo da sua edição.



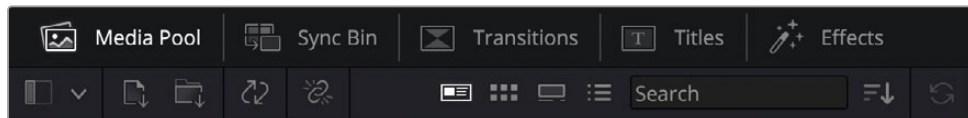
A área de trabalho padrão da página Corte, com visualização de ícones no pool de mídia

Para mais informações sobre a página Corte, consulte o capítulo “The Cut Page” no manual do DaVinci Resolve.

Abas de Mídia

No canto superior esquerdo da interface do usuário você visualizará cinco abas.

Clique nessas abas para abrir os kits de ferramentas a serem usados ao criar sua edição. Por exemplo, a primeira aba é o pool de mídia e percebe que já está selecionada. As outras abas são para a repartição sincronizada, transições de mídias, títulos e efeitos.



Pool de Mídia

O pool de mídia contém todos os seus clipes, pastas e arquivos importados usando a página de mídias. Você também pode importar arquivos diretamente da página Corte, assim não é necessário retornar à página de mídias se você quiser importar um clipe novo.

Sync Bin

Este recurso eficaz sincroniza todos os seus clipes automaticamente via código de tempo, data e hora, para que você possa selecionar os ângulos de todas as câmeras em um projeto multicâmera.

Transições

Se você clicar na aba de transições vizinha, você visualizará todas as transições de vídeo e áudio que podem ser utilizadas na sua edição. Elas incluem transições comuns, como dissoluções cruzadas e cortinas de movimento.

Títulos

A aba “Títulos” fica ao lado das transições. Aqui você pode selecionar o tipo de título que deseja usar. Por exemplo, uma rolagem, texto padrão ou terço inferior. Também há uma lista de modelos Fusion que você pode utilizar para títulos animados mais dinâmicos que podem ser personalizados na página “Fusion” do DaVinci Resolve.

Efeitos

A quinta aba é chamada “Efeitos”. Ela oferece todos os filtros e efeitos diferentes que podem ser utilizados para dar mais vida à sua montagem, por exemplo, desfoque, brilhos e efeitos de lente personalizados. Há muitas opções de efeitos poderosos que podem ser encontrados rapidamente com a ferramenta de busca.

DICA Utilize a ferramenta de busca próxima dos ícones de mídia para encontrar exatamente o que procura. Por exemplo, caso tenha a aba de transições selecionada, digite “dissolução” na ferramenta de busca e apenas os tipos de transição com dissolução aparecerão no visualizador, tornando a busca pela transição de dissolução desejada mais rápida.




Abas de Visualização

No canto superior esquerdo da janela do visualizador, você encontrará os botões de modo de visualização.



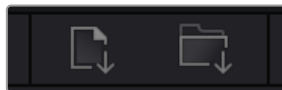
Os botões de modo de visualização

Estes botões controlam qual visualizador é atualmente usado, incluindo “Clipe de Origem”, “Fita de Origem” e “Linha de Tempo”. Estes modos de visualização oferecem uma enorme quantidade de controle ao selecionar os clipes para a sua montagem. Vale a pena passar alguns momentos observando como eles funcionam.


	Clipe de Origem	<p>O visualizador do clipe de origem exibe um único clipe do pool de mídia e você pode definir pontos de entrada e saída ao longo de toda a visualização da linha de tempo. Isto oferece maior controle. Selecione um clipe de origem para visualização ao clicar duas vezes em um clipe no pool de mídia ou arrastando-o para o visualizador.</p>
	Fita de Origem	<p>A fita de origem permite que você visualize todos os clipes de origem no pool de mídia. Este poderoso recurso é útil se você quiser pesquisar todos os seus clipes para encontrar um evento específico. Enquanto você passa o cursor de reprodução sobre os clipes, você observará suas miniaturas selecionadas no pool de mídia. Assim, após ter encontrado o clipe que deseja editar, você pode clicar na aba do clipe de origem e seu clipe de origem correspondente aparecerá no visualizador automaticamente.</p> <p>O visualizador de fita de origem realmente permite que você se aproveite da edição não linear, oferecendo a liberdade para trabalhar na sua edição, encontrar planos rapidamente, testar novas ideias e focar no momento.</p>
	Linha de Tempo	<p>O visualizador da linha de tempo permite que você visualize a linha de tempo de edição para que possa reproduzir seu projeto e refinar suas edições.</p>

Importar Clipes no Pool de Mídia

Agora você pode começar a importar as mídias para o seu projeto. Você pode fazer isso na janela do pool de mídia na página Corte usando as ferramentas de importação na parte superior.



Selecione uma das opções de importação para adicionar mídias ao seu projeto

	Importar Mídias	<p>A opção “Importar Mídias” importará arquivos de mídia individuais selecionados no local do armazenamento.</p>
	Importar Pasta de Mídias	<p>Para importar uma pasta do seu local de armazenamento, selecione a opção “Importar Pasta de Mídias”. Ao importar uma pasta, o DaVinci Resolve manterá a estrutura do arquivo, tratando cada pasta como uma pasta independente para que você possa navegar entre elas para encontrar seus vídeos e outros arquivos de mídia.</p>

Como importar mídias:

- 1 Clique em “Importar Mídias” ou no ícone “Importar Pasta de Mídias”.
- 2 Navegue até seu armazenamento de mídia para obter a mídia que deseja importar.

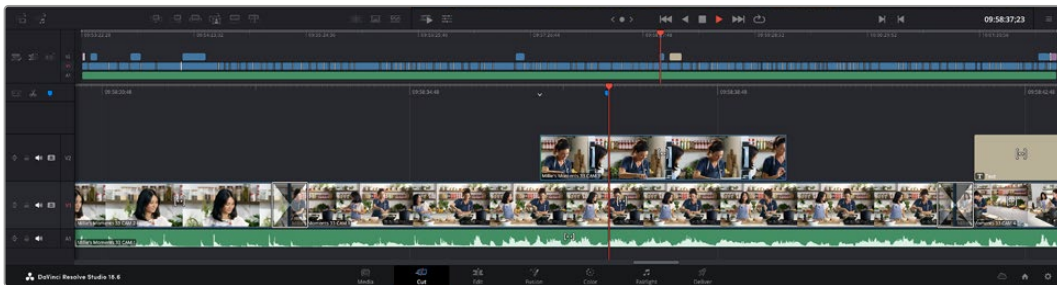
- 3 Selecione o arquivo ou pasta e clique em “Abrir”.

Após adicionar a mídia ao seu projeto, este é um bom momento para salvar suas alterações. O DaVinci Resolve oferece uma opção de salvamento automático rápida e contínua chamada “Salvar Ao Vivo”. Depois que salvar seu projeto uma vez, “Salvar Ao Vivo” salvará alterações adicionais à medida que você as faz, eliminando o risco de perder o seu trabalho.

Para mais informações sobre o recurso “Salvar Ao Vivo” e outras funções de salvamento automático, consulte o Manual DaVinci Resolve.

Adicionando Clipes à Linha de Tempo

Agora que você está familiarizado com os botões das abas de mídia e dos modos de visualização, você pode abrir o pool de mídia e começar a adicionar clipes rapidamente à sua linha de tempo.



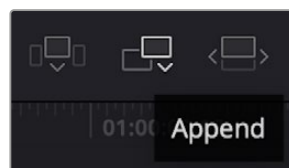
A linha de tempo da página Corte, consiste em uma linha de tempo superior e uma linha de tempo ampliada abaixo.

A linha de tempo é onde você monta a sua edição e é como um tabuleiro com trilhas nas quais você pode colocar seus clipes, deslocá-los e aparar seus cortes. As trilhas permitem distribuir os clipes em camadas sobre outros, o que oferece mais flexibilidade para testar cortes diferentes e criar transições e efeitos. Por exemplo, você pode testar uma edição com um clipe em uma trilha sem afetar os outros clipes na trilha abaixo.

Há diferentes maneiras de adicionar clipes à linha de tempo, como inserção inteligente, anexar, inserir por cima, entre outras.

Anexando Clipes

Ao selecionar tomadas e montar uma edição, é provável que você queira adicionar estes planos um após o outro na linha de tempo. A ferramenta “Anexar” é perfeita para esta tarefa e permitirá que você edite com muita rapidez.



Clique no ícone “Anexar” para adicionar clipes ao fim do último clipe rapidamente

Como anexar um clipe:

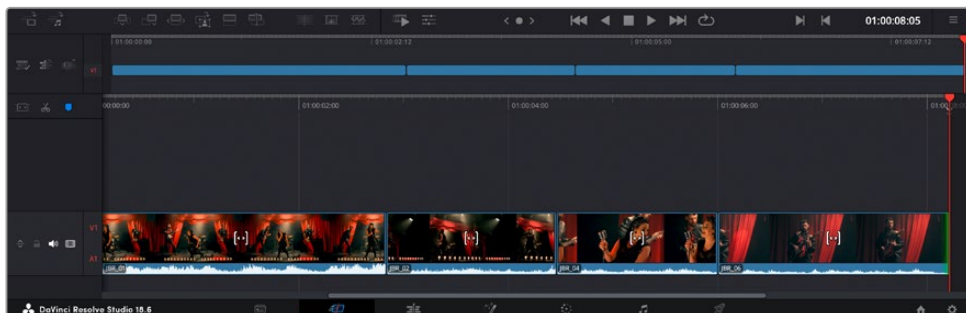
- 1 Clique duas vezes em um clipe no pool de mídia para abri-lo no visualizador.
- 2 Usando a ferramenta aparo de arrasto, arraste os pontos de entrada e saída para selecionar a duração precisa do seu plano. Você pode pressionar as teclas de atalho “I” e “O” no teclado para definir os pontos de entrada e saída.



3 Agora, clique no ícone Anexar abaixo do pool de mídia.

Seu primeiro clipe será posicionado no início da linha de tempo.

Repita os passos 1 a 3 para continuar adicionando mais clipes e eles serão anexados automaticamente, assegurando que não existam lacunas na linha de tempo.



Anexar clipes assegura que não existam lacunas entre eles na linha de tempo.

DICA Você pode acelerar o processo ainda mais ao atribuir um atalho de teclado para o ícone “Anexar”. Por exemplo, se você atribuir a tecla “P”, você pode selecionar seu ponto de entrada e saída usando “I” e “O” e, depois, apertar “P” para anexar o clipe. Consulte o manual DaVinci Resolve para mais informações sobre como atribuir teclas de atalho.

Editando Clipes na Linha de Tempo

Com clipes adicionados à linha de tempo, você tem controle total para deslocá-los e aparar cortes.

Para aparar um corte, passe o mouse por cima do início ou fim de um clipe, clicando e arrastando para a direita ou esquerda. Por exemplo, arraste o fim de um clipe à direita ou esquerda para diminuir ou aumentar sua duração. Perceba que todos os clipes após esta edição se deslocarão na linha de tempo para acomodar o novo ajuste. Esta é uma das maneiras que a página Corte pode ajudar a poupar seu tempo.

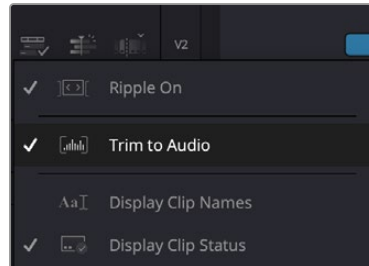
Você pode até pegar o clipe e soltá-lo em uma trilha de vídeo nova na linha de tempo grande sem necessidade de usar o zoom. Isso agiliza o processo de edição porque minimiza o tempo gasto navegando por uma linha de tempo longa.

Visualização do Aparo de Som

A visualização de aparo de som ajuda a realizar edições de áudio precisas ao expandir a forma de onda de áudio na linha de tempo. Isso é útil se você estiver editando uma cena de diálogo ou um clipe musical e torna mais fácil encontrar um ponto de edição entre palavras ou batidas.

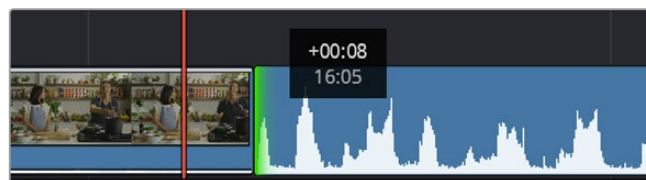
Para usar a visualização de aparo de som:

- 1 Clique no ícone das opções de linha de tempo e selecione “Aparo de Som”.



A opção “Aparo de Som”

- 2 Agora, quando você aparar uma edição, você verá uma forma de onda expandida na linha de tempo. Quando você terminar de aparar, os clipes na linha de tempo voltarão ao seus tamanhos normais.



A visualização de aparo de som expande a forma de onda de áudio na linha de tempo

Depois que tiver terminado a edição dos seus clipes usando a página de cortes, talvez você queira adicionar um título. A próxima seção demonstrará como fazer isto.

Adicionando Títulos

Inserir um título na sua linha de tempo é fácil e há várias opções.

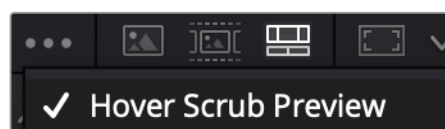
Para visualizar os diferentes tipos de títulos que podem ser usados, clique na aba de mídia “Títulos” no canto superior esquerdo da interface do usuário. Na janela de seleção, você verá todos os geradores de títulos diferentes que você pode utilizar exibidos como miniaturas, desde terços inferiores e rolagens até um título de texto padrão. É possível, inclusive, adicionar qualquer um dos títulos Fusion que são animados e podem ser personalizados.

Pré-Visualizando Títulos

Antes de adicionar um título à linha de tempo, você pode pré-visualizá-lo na janela de seleção “Títulos”. Isso permite que você navegue por todas as opções disponíveis antes de fazer sua escolha.

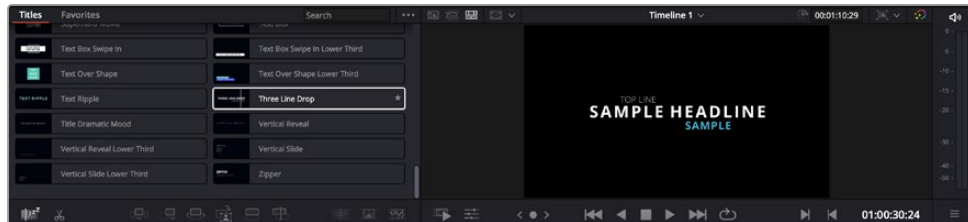
Como pré-visualizar um título:

- 1 Clique no menu de opções no lado direito do painel de títulos e marque “Prévia com Depuração Flutuante”.



Habilite “Prévia com Depuração Flutuante” no menu de opções

- 2 Na janela de seleção “Títulos”, passe o ponteiro do mouse sobre uma miniatura para pré-visualizar um título no visualizador. Caso esteja pré-visualizando um título animado ou um título Fusion, movimente o ponteiro sobre a miniatura do título da esquerda à direita para visualizar a animação.



Passa o ponteiro do mouse sobre a miniatura de um título para pré-visualizá-lo no visualizador

Após ter selecionado um título, você pode adicioná-lo à linha de tempo.

Como adicionar um título padrão:

- 1 Clique no título e arraste-o até a linha de tempo. Não importa qual linha de tempo. No entanto, para mais precisão, recomendamos usar a linha de tempo detalhada. Uma nova trilha de vídeo para o título será criada automaticamente e será encaixada no cursor de reprodução.
- 2 Solte o mouse e o título aparecerá na nova trilha. Agora, você pode deslocá-lo ou alterar sua duração como faria com outro clipe de vídeo.
- 3 Para editar o título, clique no clipe do novo título e, em seguida, clique no ícone de ferramentas embaixo do visualizador de clipe.

Agora você verá uma nova fileira de ferramentas que podem ser utilizadas para modificar o clipe do título. Por exemplo, transformação, recorte, zoom dinâmico, entre outras.

- 4 Agora, clique na aba “Inspetor”.

Isto abrirá a janela do inspetor, onde você pode digitar o título desejado e editar as configurações de texto, por exemplo, rastreamento, espaçamento de linhas, cor, entre outras.

Há muitas opções para personalizar o título exatamente como você deseja. Recomendamos que você teste todas as configurações diferentes para ver como elas alteram a aparência e a forma do seu título.

DICA Você também pode usar a função de depuração flutuante para pré-visualizar efeitos, transições, geradores e filtros nas páginas Corte e Edição.

Trabalhando com Arquivos Blackmagic RAW

Os clipes Blackmagic RAW oferecem flexibilidade máxima na pós-produção. Isto permite fazer ajustes nos clipes, como as configurações de balanço de branco e ISO, como se você estivesse alterando as configurações originais de câmera. Trabalhar com Blackmagic RAW também retém mais informações tonais de sombras e realces, o que é útil para a recuperação de detalhes, por exemplo, em céus estourados ou áreas escuras da imagem.

Vale a pena filmar em Blackmagic RAW caso esteja buscando a qualidade mais alta possível, ou em planos onde há variações extremas de realces e sombras, quando você talvez precise aumentar e diminuir os valores destas regiões o máximo possível na gradação.

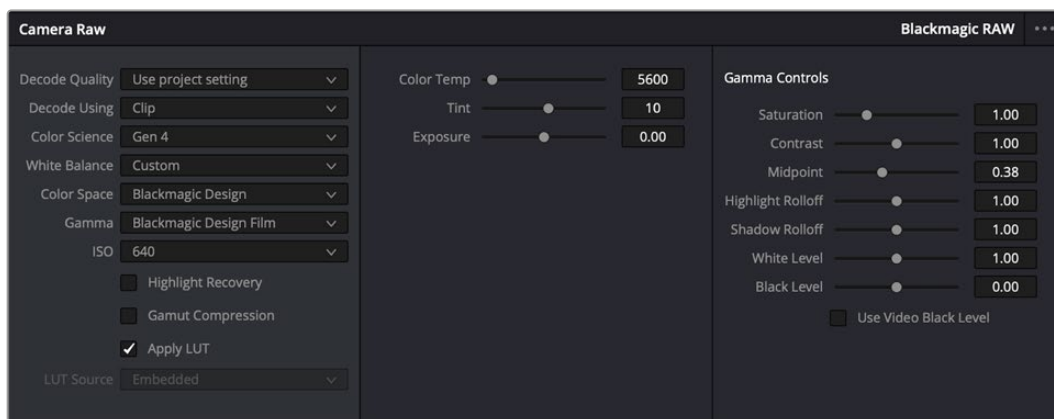
A rapidez e o tamanho reduzido dos arquivos Blackmagic RAW significam que você não precisa criar arquivos proxy e a reprodução é tal como a de um clipe de vídeo padrão. Esta seção do manual descreve os recursos do Blackmagic RAW e como usar os arquivos Blackmagic RAW no seu fluxo de trabalho DaVinci Resolve.

DICA É uma boa prática ajustar as configurações Blackmagic RAW dos seus clipes na página Cor antes de começar o tratamento de cores.

Configurações de Clipes Blackmagic RAW

Ao importar arquivos Blackmagic RAW pela primeira vez, o DaVinci Resolve decodifica os dados da câmera contidos nos arquivos utilizando o ganho, as configurações de balanço de branco e de tonalidade usadas no momento da gravação. Caso esteja satisfeito com o look dessas configurações, é possível começar a editar imediatamente.

A parte mais fantástica das gravações em Blackmagic RAW é que você não fica preso de forma alguma a essas configurações. A abrangência de opções de processamento ao trabalhar com arquivos Blackmagic RAW significa que você pode desenvolver seu próprio fluxo de trabalho com o passar do tempo. As experimentações com as configurações “Clipe” para cada clipe na aba “RAW de Câmera” mostrarão o quão poderoso e flexível pode ser trabalhar com Blackmagic RAW.



Na aba “RAW de Câmera”, selecione “Clipe” a partir do menu suspenso “Decodificar Usando” para fazer ajustes nas configurações Blackmagic RAW do seu clipe.

Ajustando Configurações Blackmagic RAW

Depois de ter definido o DaVinci Resolve para habilitar as configurações Blackmagic RAW, as configurações de clipe e os controles de gama podem ser ajustados. Ao ajustar essas configurações para otimizar os seus clipes, você pode aproximá-los de uma gradação primária completa. Isso é extremamente poderoso, especialmente ao utilizar os escopos do DaVinci Resolve, que ajudam o usuário a neutralizar e normalizar os clipes para aplicar um look.

As informações abaixo contêm descrições dos controles de clipe e gama:

ISO

O valor ISO pode ser alterado ao aumentar ou diminuir esta configuração. Ela é útil caso precise definir um ponto de partida mais claro ou mais escuro para a otimização.

Recuperação de Realce

Marque a caixa para reconstruir as informações de realce em canais cortados usando informações dos canais não cortados.

Compressão de Gama

Marque a caixa para manter níveis seguros de gama automaticamente.

Temperatura de Cor

Ajusta a temperatura de cor para deixar a imagem fria ou quente. Ela pode ser utilizada para neutralizar o balanço de cores em cada imagem.

Tonalidade

Permite adicionar verde ou magenta à imagem para auxiliar no balanço de cores.

Exposição

Permite refinar o brilho geral da imagem.

Saturação

Os controles de saturação são predefinidos em 1 e variam de 0 para saturação mínima a 4 para saturação máxima.

Contraste

Predefinido em 1.0, arraste o deslizador à esquerda para o mínimo de contraste a 0 ou à direita para aumentar o contraste até 2.

Ponto Médio

Com Blackmagic Design Film, seus valores de cinza médio são predefinidos em 0,38 ou 38,4%. Arraste o deslizador à esquerda para diminuir seu ponto médio ou à direita para aumentá-lo para 100. Quando o contraste é ajustado e distanciado da configuração padrão, você pode modificar suas modulações de realces e sombras.

Modulação de Realce

Ajuste os realces ao arrastar o deslizador à esquerda para diminuir o valor para 0, ou à direita para aumentar os realces para 2. O valor padrão é 1.

Modulação de Sombra

Arraste o deslizador à esquerda para diminuir as suas sombras para 0 ou à direita para aumentar suas sombras para 2.

Nível de Branco

Ajuste o ponto branco da curva de gama ao arrastar o deslizador do valor máximo de 2 para o valor mínimo de 0. O valor padrão é 1.

Nível de Preto

Aumente o ponto preto da curva de gama personalizada ao arrastar o deslizador para a direita partindo do valor mínimo de -1 para o máximo de 1. O valor padrão é 0.

Usar Nível de Preto de Vídeo

Marque a caixa para configurar os níveis de preto para vídeo.

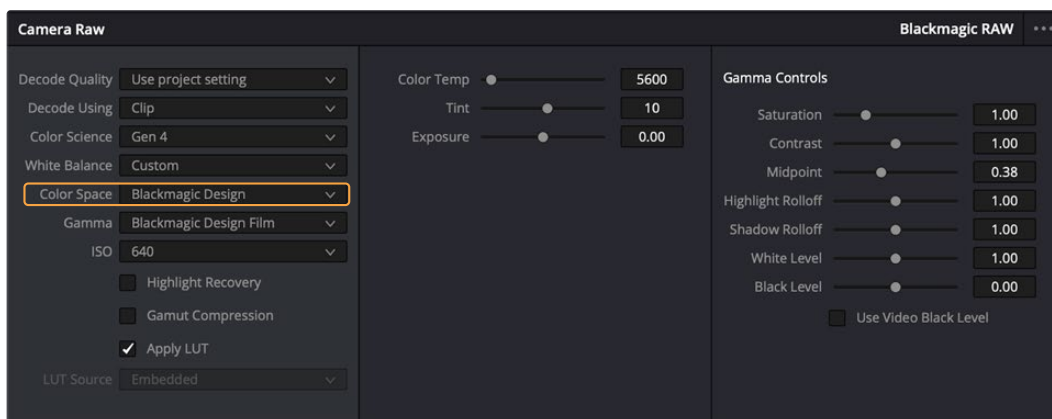
Exportar Quadro

Clicar no botão “Exportar Quadro” permite que você exporte um quadro único do seu clipe Blackmagic RAW.

Atualizar Sidecar

Clique neste botão para atualizar o arquivo sidecar Blackmagic RAW para o clipe atual.

Quaisquer modificações feitas nos clipes Blackmagic RAW serão identificadas pela configuração de gama alterando para Blackmagic Design Customizado.



Caso queira reverter seus clipes para uma das opções gama padrão disponíveis, basta selecioná-la no menu suspenso gama

DICA Os controles de gama são desativados para imagens gravadas com a faixa dinâmica de vídeo, sem perdas dos seus dados Blackmagic RAW. Basta selecionar “Blackmagic Design Film” ou “Blackmagic Design Extended Video” no menu suspenso de gama e fazer os seus ajustes.

Para salvar suas alterações Blackmagic RAW:

- 1 Ajuste os controles gama para o seu clipe Blackmagic RAW.
- 2 Clique no botão “Atualizar Sidecar”.

Um arquivo sidecar será criado na mesma pasta que o seu arquivo .braw. Quando outro usuário importar os arquivos Blackmagic RAW, os arquivos sidecar serão lidos automaticamente pelo DaVinci Resolve. Se fizer mais ajustes, pressione “Atualizar Sidecar” novamente.

DICA Para remover seu arquivo sidecar, basta deletá-lo da sua localização no seu drive de mídias.

Configurações de Projetos Blackmagic RAW

Caso necessite configurar uma alteração que será comum para todos os clipes, como uma modificação global do balanço de branco ou sensibilidade ISO, é possível definir os clipes que usarão as configurações de “RAW de Câmera” do projeto e fazer as modificações.

Para definir as configurações Blackmagic RAW:

- 1 Acesse o menu das configurações do projeto ao clicar em “Arquivo” e selecionar “Configurações de Projeto”.
- 2 Na aba “RAW de Câmera”, você verá um menu junto do perfil RAW. Clique na seta para selecionar Blackmagic RAW na lista.
- 3 Selecione “Projeto” no menu “Decodificar Usando”.
- 4 Selecione uma opção de ciência de cores no menu.
- 5 Configure o balanço de branco como “Customizado”.
- 6 Selecione “Blackmagic Design Customizado” no menu de gama. Defina o espaço de cor como “Blackmagic Design”.

- 7 Selecione sua resolução no menu “Qualidade da Decodificação”. Resoluções mais baixas proporcionarão melhores reproduções em sistemas limitados. Você também tem a flexibilidade de alterar para a resolução máxima mais tarde, antes da entrega, para obter o resultado de maior qualidade.

Agora, é possível ajustar as configurações de câmera para os seus clipes, como saturação, contraste e ponto médio. Esta ação afetará todos os clipes no seu projeto que estejam configurados para decodificação com a opção “Projeto”.

Corrigindo Cores dos seus Clipes com a Página Cor

Agora com seus clipes na linha de tempo e os títulos adicionados, você pode começar a corrigir as cores usando a página “Cor”. A página de cores é extremamente eficiente e definirá a aparência geral do seu filme, mas para este exemplo, um bom começo é neutralizar todos os seus clipes para que fiquem consistentes. Você também pode retornar à página “Corte” ou “Edição” a qualquer momento se quiser fazer alterações na sua edição.

A página de cores permite que você ajuste o visual da sua edição. De certa forma, a correção de cores é uma forma de arte em si. Ao adicionar a correção de cores, você deixa o seu trabalho mais emocionante. É uma etapa incrivelmente criativa do fluxo de trabalho que é muito gratificante quando você adquire estas habilidades e consegue ver seu trabalho ganhar vida. Geralmente, este é o primeiro passo e é conhecido como correção primária de cores ou ajuste de primárias. Após a correção de cores primária, você pode então fazer ajustes de correção de cores secundários, que é onde ajustes de cores extremamente precisos em objetos específicos nas suas imagens podem ser realizados. Isso é muito divertido, mas, normalmente é feito depois das primárias porque ajuda a tornar o processo mais eficiente e você obterá melhores resultados.

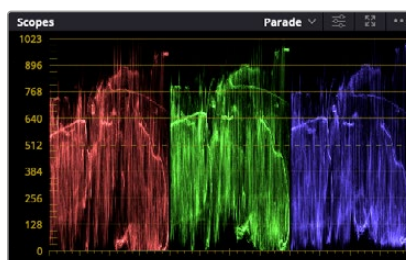
Primeiro, clique na aba “Cor” para abrir a página do tratamento das cores.

Você verá as configurações de câmera raw, discos de cores, paletas de cores e ferramentas gerais para a correção de cores, assim como a janela de pré-visualização e nós. Não fique apreensivo com a vasta gama de ferramentas perante seus olhos, todas elas estão ali para ajudá-lo a obter imagens com o melhor aspecto possível. Esta seção mostrará o básico, mas para informações mais detalhadas, consulte as seções relevantes no manual. Elas mostrarão exatamente para que servem todas as ferramentas e como usá-las em passos fáceis de seguir. Você aprenderá as mesmas técnicas que os profissionais usam em instalações para correção de cores de alto nível.

Normalmente, o primeiro passo para a correção de cores primária é otimizar os níveis de sombras, tons médios e realces nos seus clipes. Em outras palavras, ajustar as configurações de pedestal, gama e ganho. Isso ajudará a obter imagens mais brilhantes e de melhor aspecto com um ponto de partida limpo e equilibrado, de onde você pode iniciar a gradação do visual do seu filme. Para otimizar os níveis, é vantajoso utilizar os escopos.

Usando Escopos

A maioria dos coloristas faz escolhas criativas ao focar na emoção e no visual que desejam para o seu programa e, então, usam o monitor para alcançar esse visual. É possível observar objetos do cotidiano e como diferentes tipos de luz interagem com eles para ter ideias sobre o que você pode fazer com suas imagens e com um pouco de prática.



O escopo padrão ajuda a otimizar realces, tons médios e sombras.

Outra maneira de fazer a gradação de cores é usando os escopos incluídos para ajudar a balancear os planos. É possível abrir um único escopo de vídeo ao clicar no botão “Escopo”, o segundo botão à direita na barra de ferramentas da paleta. É possível fazer a exibição em forma de onda, padrão, vetorscópico, histograma e escopo de cromaticidade CIE. Ao utilizar esses escopos, você pode monitorar seu equilíbrio tonal, verificar os níveis do seu vídeo para evitar o esmagamento de pretos e o corte de realces, além de monitorar quaisquer cores dominantes nos seus clipes.

A paleta “Discos de Cores” contém os controles “Pedestal”, “Gama” e “Ganho”, que geralmente constituem seus ajustes iniciais. Caso tenha experiência com a correção de cores, esses controles devem se assemelhar àqueles encontrados em outros aplicativos para ajustes de cores e contraste.



Os discos de cores “Pedestal”, “Gama”, “Ganho” e “Deslocamento” oferecem controle total sobre o balanço de cores e o equilíbrio tonal dos seus clipes. Para realizar um ajuste uniforme de todas as cores para cada região tonal, arraste o dial abaixo dos discos de cores para frente e para trás.



As barras primárias facilitam os ajustes de cores ao utilizar um mouse

Para um controle mais preciso de cada cor usando um mouse, é possível alterar os discos de cores para barras primárias, que permitem que você ajuste cada canal de cor e luminância para os controles de pedestal, gama e ganho separadamente. Basta selecionar “Barras Primárias” no menu suspenso próximo ao canto direito dos discos de cores.

Ajuste de pedestal

Com seu clipe selecionado na linha de tempo das cores, clique no controle giratório “Pedestal” abaixo do primeiro disco de cores. Deslize-o para frente ou para trás para ver como sua imagem será afetada. Você observará que o brilho das regiões escuras da sua imagem aumentará e diminuirá.

Defina onde você deseja aprimorar as áreas escuras. Caso diminua bastante o pedestal, você perderá os detalhes dos pretos e poderá usar o escopo de padrão para ajudar a evitar isso. A posição ideal para os pretos na forma de onda é logo acima da linha inferior do escopo de padrão.

Ajuste de ganho

Clique no controle giratório “Ganho” e deslize-o para frente e para trás. Isso ajusta os realces, que são as áreas mais brilhantes do seu clipe. Os realces são exibidos na parte superior da forma de onda no escopo de padrão. Para um plano bem iluminado, a melhor posição é logo abaixo da linha superior do

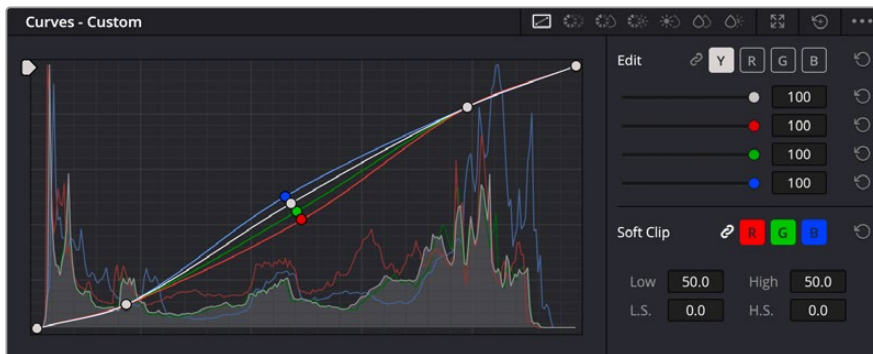
escopo em forma de onda. Caso os realces ultrapassem a linha superior do escopo de forma de onda, eles serão cortados e você perderá os detalhes nas regiões mais brilhantes da sua imagem.

Ajuste de gama

Clique no controle giratório “Gama” abaixo do disco de cores e deslize-o para frente ou para trás. À medida que você aumenta o “Gama”, será possível acompanhar o brilho da imagem aumentar. Repare que a região central da forma de onda também se move enquanto você ajusta o gama. Isso representa os tons médios do seu clipe. A posição ideal para os tons médios geralmente fica entre 50 e 70% no escopo de forma de onda. Contudo, isso pode ser subjetivo com base no visual que você estiver criando e nas condições de iluminação no clipe.

Também é possível usar a paleta de curvas para fazer correções de cores primárias. Basta clicar nela para criar pontos de controle na linha diagonal dentro do gráfico de curva e arrastá-los para cima ou para baixo para ajustar o contraste RGB mestre em diferentes áreas de tonalidade da imagem. Os pontos ideais para o ajuste são os do terço inferior, meio e terço superior na linha da curva.

Existem várias outras maneiras de fazer correções primárias de cores no DaVinci Resolve.



A paleta de curvas é outra ferramenta que pode ser usada para fazer correções primárias de cores, ou melhorar a qualidade de áreas específicas do seu clipe quando usar uma power window.

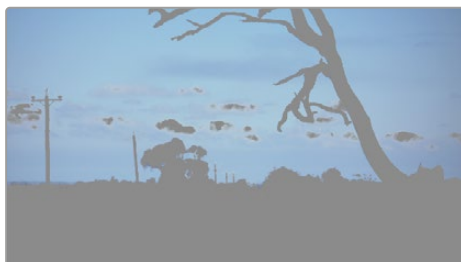
Correção Secundária de Cores

Caso queira ajustar uma parte específica da sua imagem, então as correções secundárias serão necessárias. Os ajustes que você tem feito até agora usando os discos de cores e os ajustes de pedestal, gama e ganho afetam a imagem inteira, ao mesmo tempo, por isso são chamados de correções primárias das cores.

Mas, caso seja necessário ajustar partes específicas da sua imagem, digamos, por exemplo, que você queira melhorar a cor da grama em uma cena ou aprofundar o azul de um céu, então você pode usar as correções secundárias. As correções de cores secundárias ocorrem quando você seleciona uma parte da imagem e ajusta apenas aquela parte. Com os nós, você pode empilhar múltiplas correções secundárias para que possa continuar trabalhando em partes diferentes da imagem até que tudo esteja perfeito. Você pode até usar janelas e rastreamento para permitir que as seleções sigam o movimento nas suas imagens.

Qualificar uma Cor

Com frequência, você encontrará uma cor específica no seu clipe que pode ser aprimorada como, por exemplo, a grama ao lado de uma estrada ou o azul do céu, ou você pode precisar ajustar a cor de um objeto específico para chamar a atenção do público para ele. É possível fazer isso usando a ferramenta Qualificador HSL.



Usar o recurso Qualificador HSL para selecionar cores na sua imagem é útil quando você deseja fazer áreas da sua imagem saltarem, adicionar contraste ou ajudar a chamar a atenção do público para certas áreas do seu plano de imagem.

Como qualificar uma cor:

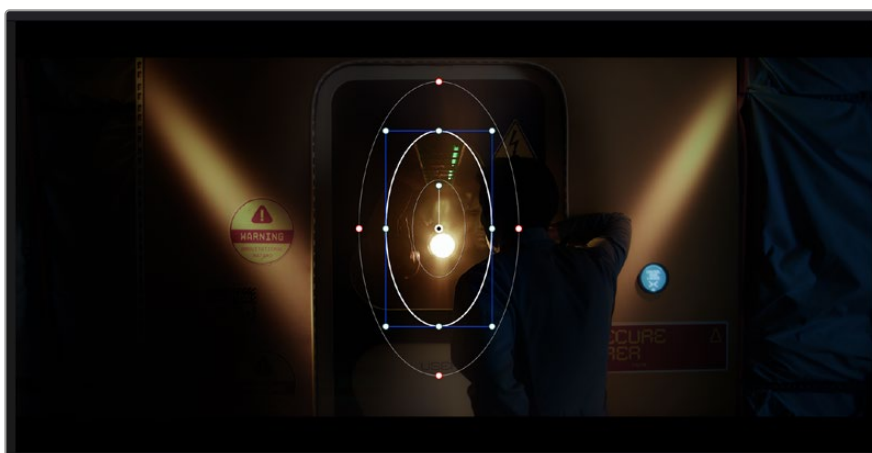
- 1 Adicione um novo nó serial.
- 2 Abra a paleta “Qualificador” e certifique-se de que a ferramenta conta-gotas esteja selecionada.
- 3 No seu clipe, clique na cor que você deseja afetar.
- 4 Normalmente, você terá que fazer alguns ajustes para suavizar as extremidades da sua seleção e limitar a região para apenas a cor desejada. Clique no botão “Destacar” sobre o visualizador para ver sua seleção.
- 5 Ajuste o controle “Largura” na janela “Matiz” para alargar ou restringir sua seleção.

Experimente os controles “Máximo”, “Mínimo” e “Suavidade” para ver como aperfeiçoar sua seleção. Agora, você pode fazer correções para a cor selecionada usando os discos de cores ou as curvas personalizadas.

Ocasionalmente, sua seleção pode vaziar para áreas da imagem que você não quer afetar. É possível ocultar as áreas indesejadas usando uma power window. Basta criar uma nova janela e moldá-la para selecionar apenas a área da cor desejada. Caso sua cor selecionada se mova com o plano, você pode usar o recurso de rastreamento para rastrear sua power window.

Adicionando uma Power Window

O recurso power windows é uma ferramenta de correção secundária de cores extremamente eficaz que pode ser usada para isolar regiões específicas dos seus clipes. Essas regiões não precisam ser estáticas, mas podem ser rastreadas com movimentos panorâmicos, inclinações ou rotações de câmera, além do próprio movimento da região.



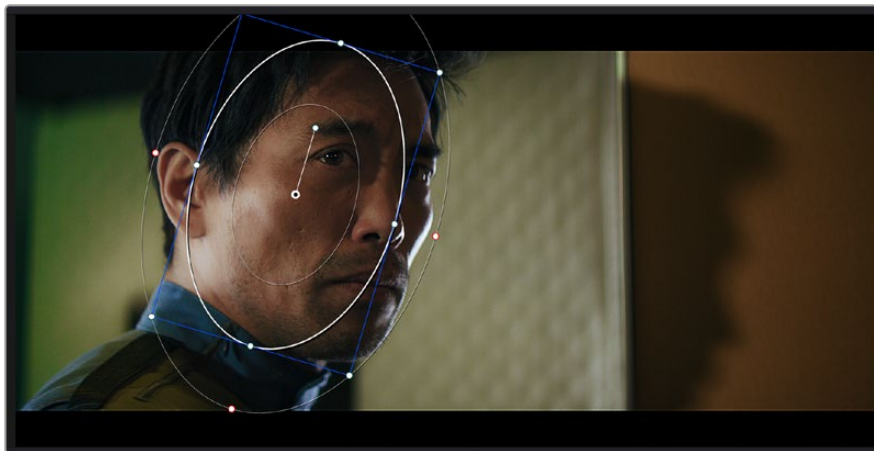
Use as power windows para ocultar áreas que você não deseja que sejam afetadas pelos ajustes secundários do qualificador HSL.

Por exemplo, você pode rastrear uma janela em uma pessoa para fazer ajustes de cor e contraste apenas nesta pessoa sem afetar os arredores dela. Ao fazer correções desse tipo, você pode exercer influência sobre a atenção do público para que olhem para as áreas desejadas.

Como adicionar uma power window ao seu clipe:

- 1 Adicione um novo nó serial.
- 2 Abra a paleta “Janela” e selecione uma das formas de janela ao clicar em um dos ícones de formas. A sua forma de janela selecionada aparecerá no nó.
- 3 Redimensione a forma ao clicar e arrastar os pontos azuis em torno da forma. Os pontos cor-de-rosa ajustam a suavidade da extremidade. É possível posicionar a forma ao clicar no ponto central e movê-lo para a área que você deseja isolar. Gire a janela usando o ponto conectado ao centro.

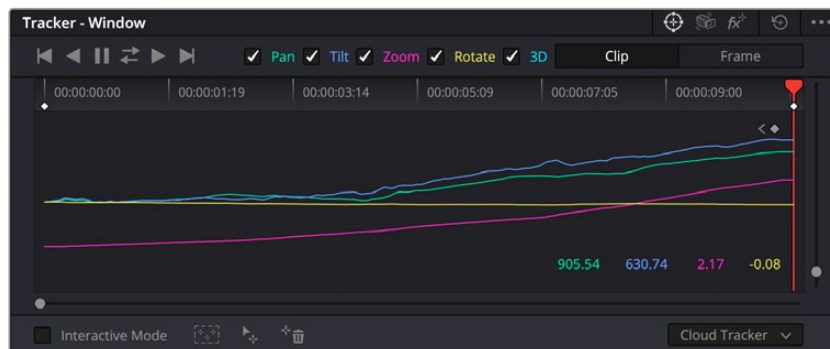
Agora você pode fazer correções de cores apenas na área desejada da sua imagem.



As power windows permitem fazer correções secundárias em partes específicas da sua imagem.

Rastreamento de uma Janela

A câmera, o objeto ou a área da sua imagem podem estar em movimento, então para certificar-se de que sua janela permaneça com o objeto ou a área selecionada, você pode usar o poderoso recurso de rastreamento do DaVinci Resolve. O rastreador analisa os movimentos panorâmicos, inclinações, zoom e rotações da câmera ou do objeto no seu clipe para que você possa combinar suas janelas ao movimento. Caso isso não seja feito, sua correção pode sair do destino selecionado e chamar muita atenção, o que é provavelmente indesejado.



É possível rastrear objetos ou áreas no seu clipe usando o recurso rastreador para que as power windows possam seguir a ação.

Como rastrear uma janela em um objeto em movimento:

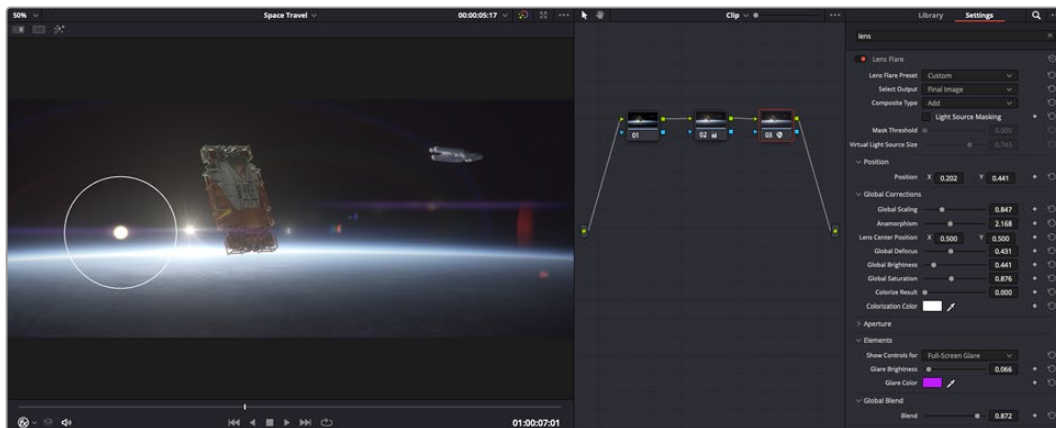
- 1 Crie um novo nó serial e adicione uma power window.
- 2 Vá até o início do seu clipe e posicione e redimensione a janela para destacar apenas o objeto ou a área desejada.
- 3 Abra a paleta “Rastreador”. Selecione a configuração de panorâmica, inclinação, zoom, rotação e perspectiva 3D apropriada para o movimento no seu clipe ao marcar ou desmarcar as caixas de seleção relevantes para a análise.
- 4 Clique na seta para avançar à esquerda das caixas de seleção. Agora, o DaVinci Resolve aplicará um agrupamento de pontos de rastreamento no seu clipe e, depois, avançará pelos quadros analisando o movimento. Quando o rastreamento estiver concluído, sua power window seguirá o caminho de movimento do seu clipe.

Na maioria das vezes, o rastreamento automático é satisfatório, mas cenas podem ser complexas e, às vezes, um objeto pode passar na frente da sua área selecionada, interrompendo ou afetando o seu rastro. Isso pode ser resolvido manualmente usando o editor de quadro-chave. Consulte o manual DaVinci Resolve para mais informações.

Usando Plug-ins

Ao fazer correções secundárias, você também pode adicionar plug-ins Resolve FX ou Open FX para criar looks e efeitos rápidos e interessantes usando a página Cor; ou transições e efeitos criativos aos seus clipes usando as páginas Corte e Edição. Os plug-ins Resolve FX são instalados com o DaVinci Resolve, e os plug-ins OFX podem ser adquiridos e baixados através de fornecedores terceiros.

Após instalar um conjunto de plug-ins OFX, você pode acessar esses plug-ins ou os plug-ins Resolve FX na página Cor ao abrir o inspetor Open FX à direita do editor de nós. Depois de criar um novo nó serial, basta clicar no botão “Open FX” para abrir a biblioteca FX e arrastar e soltar um plug-in no novo nó. Caso o plug-in tenha configurações editáveis, será possível ajustá-las no painel adjacente “Configurações”.



Os plug-ins OFX são uma maneira rápida e fácil de criar looks imaginativos e interessantes

Na página “Edição”, é possível adicionar filtros de plug-in, geradores e transições nos clipes ao abrir o painel “Open FX” na biblioteca de efeitos e arrastar seu plug-in selecionado para a trilha ou clipe de vídeo acima do seu clipe na linha de tempo, dependendo das exigências do plug-in.

Misturando Áudio na Página Edição

Após ter editado e feito a correção de cores do seu projeto, você poderá iniciar a sua mixagem de som. O DaVinci Resolve conta com um ótimo conjunto de ferramentas para editar, fazer a mixagem e

masterizar o áudio para o seu projeto direto da página de edição. Para projetos que exigem ferramentas de áudio mais avançadas, a página Fairlight oferece um ambiente de pós-produção de áudio completo. Caso você já esteja familiarizado com a página de edição e deseje passar direto para a página Fairlight, ignore esta seção e passe para a próxima.

Adicionando Trilhas de Áudio

Caso esteja trabalhando na página de edição e queira fazer a mixagem de uma edição de som básica com muitos efeitos sonoros e música, é possível adicionar mais trilhas de áudio quando forem necessárias. Isso pode ser útil ao montar seu som e separar os elementos de áudio em trilhas individuais, por exemplo, em diálogos, efeitos sonoros e música.

Como adicionar uma trilha de áudio na página Edição:

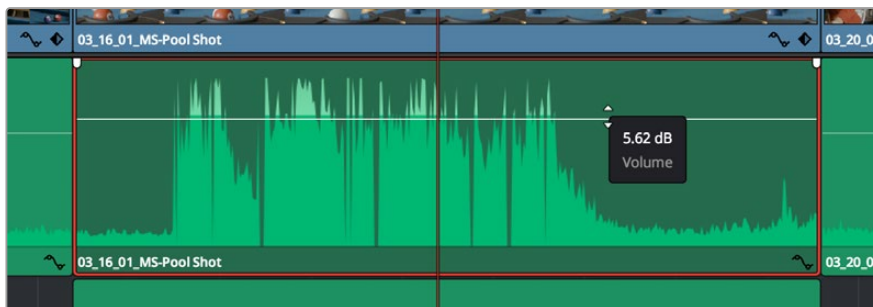
Clique com o botão direito do mouse perto do nome de qualquer trilha de áudio na sua linha de tempo, selecione “Adicionar Trilha” e escolha entre as opções, incluindo “Mono”, “Estéreo” e “5.1”. Isso adicionará a trilha na parte inferior da lista de trilhas. Como alternativa, clique em “Adicionar Trilha” e selecione a posição onde deseja colocar as trilhas.

Sua nova trilha de áudio aparecerá na linha de tempo.

DICA Caso deseje mudar o tipo da trilha após criá-la, clique com o botão direito do mouse no nome da trilha, selecione “Alterar Tipo de Trilha Para” e selecione o tipo de trilha de áudio desejado, como estéreo, mono ou 5.1.

Ajustando Níveis de Áudio na Linha de Tempo

Cada clipe de áudio na linha de tempo tem uma sobreposição de volume que permite ajustar o nível desse clipe ao simplesmente arrastar o cursor para cima ou para baixo. Esta sobreposição corresponde ao parâmetro de Volume no Inspetor.

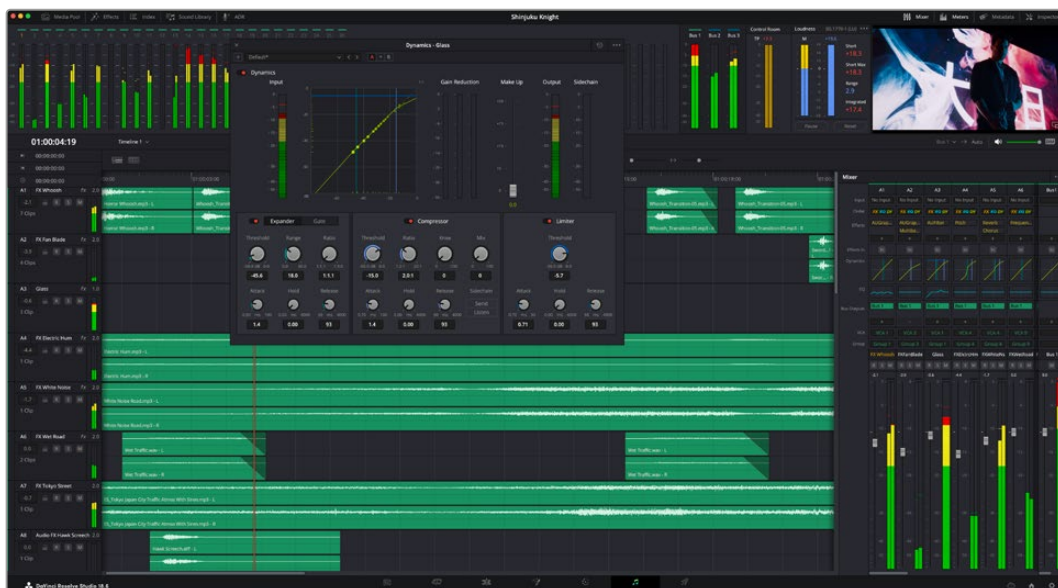


Arraste a sobreposição do volume para ajustar o nível do clipe.

Nos projetos que requerem ferramentas de áudio mais avançadas, a página “Fairlight” fornece um ambiente completo de pós-produção de áudio.

Página Fairlight

A página Fairlight do DaVinci Resolve é onde você ajusta o áudio do seu projeto. No modo de monitor único, esta página fornece uma visão otimizada das trilhas de áudio do seu projeto, com um mixer expandido e controles de monitoramento personalizados que facilitam a análise e o ajuste dos níveis para criar um mix suave e equilibrado. Não fique apreensivo com a grande quantidade de recursos perante seus olhos, todos eles estão ali para ajudá-lo a obter a melhor qualidade de áudio possível para o seu projeto.



Este guia oferece uma introdução geral básica dos recursos da página “Fairlight”, mas para saber mais sobre todos os detalhes de cada recurso, consulte o manual do DaVinci Resolve. O manual do DaVinci Resolve fornece detalhes sobre o propósito de cada ferramenta e descreve como usá-las em passos fáceis de seguir.

A Linha de Tempo do Áudio

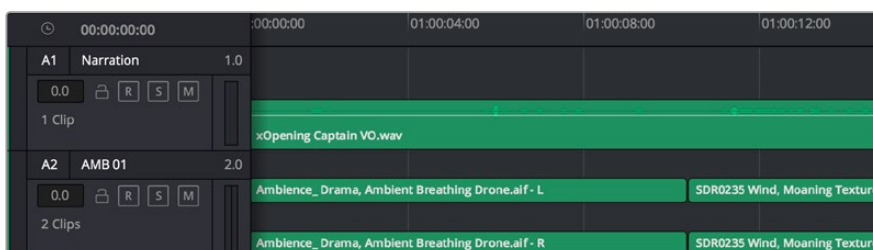
A linha de tempo de áudio exibe os canais de áudio e as trilhas da linha de tempo selecionada atualmente, organizados em um canal por trilha. Este layout é ideal para mixagem e suavização de áudio.

Cabeçalho da trilha

No lado esquerdo de cada trilha há um cabeçalho que exibe o número, o nome e a cor da trilha, além dos canais de áudio, nível do fader e medidores de áudio. O cabeçalho da trilha também tem controles de bloqueio e desbloqueio de trilhas, além de controles para isolar e silenciar trilhas. Estes controles podem ajudar a manter suas trilhas organizadas e possibilitam fazer a prévia de cada trilha por vez.

Trilhas

Cada trilha na página “Fairlight” é dividida em pistas que exibem cada canal individual de áudio do clipe para a edição e a mixagem. A página de edição oculta esses canais de áudio individuais, exibindo apenas um único clipe na linha de tempo para facilitar a edição de fontes multicanal sem a necessidade de gerenciar grandes quantidades de trilhas.



O cabeçalho de trilha A1 indica uma trilha mono como uma única pista para áudio mono, e o cabeçalho de trilha A2 indica uma trilha estéreo com duas pistas enquadrando o som estéreo.

O que é um Barramento?

Um barramento é, essencialmente, um canal de destino composto por fontes de áudio agrupadas em um único sinal que pode ser controlado através de uma única faixa de canal. A Fairlight cria um barramento para você automaticamente e todas as faixas de áudio na sua linha do tempo são enviadas a este barramento por padrão. Isso significa que você pode ajustar o nível geral da sua mixagem de áudio depois de ter ajustado o nível de cada trilha individual.

Caso sua edição seja um pouco mais complexa, você pode criar mais barramentos e combinar múltiplas trilhas de áudio que pertençam à mesma categoria, como diálogo, música ou efeitos, para que tudo nesta categoria possa ser mixado como um único sinal de áudio. Por exemplo, caso tenha cinco trilhas de diálogo, é possível rotear a saída de todas elas para um barramento separado e, assim, o nível de todos os diálogos pode ser mixado com um único conjunto de controles.

Essa estrutura Flexbus da Fairlight oferece flexibilidade total sobre tipos de barramento e roteamento de sinais, incluindo as opções de roteamento “barramento para barramento”, “trilha para barramento” e “barramento para trilha”. Para mais informações sobre as configurações de barramento de áudio na Fairlight, consulte o manual DaVinci Resolve.

Mixer

Cada trilha de áudio na sua linha de tempo corresponde a uma única faixa de canal de áudio individual no mixer e, por padrão, há uma única faixa no lado direito para o barramento padrão, rotulada “Bus 1”. Faixas de canal adicionais aparecerão no lado direito com um conjunto de controles para cada barramento principal criado. Um conjunto de controles gráficos possibilita atribuir os canais de áudio para a saída final dos canais, ajustar EQ e dinâmica, configurar níveis e gravar automação, aplicar panorâmica em áudio estéreo e surround, e silenciar ou isolar trilhas.

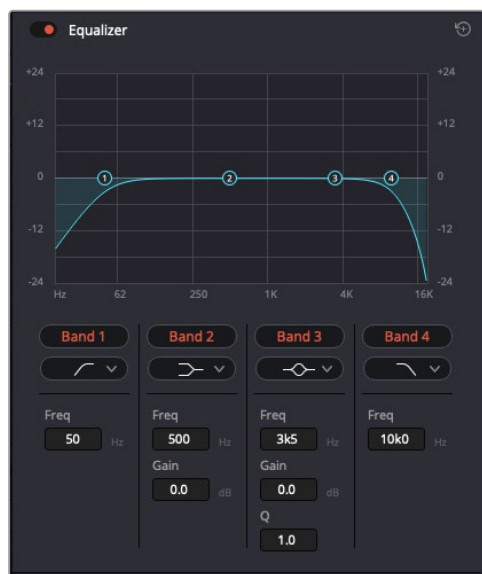


O mixer de áudio com as faixas de canal correspondendo às trilhas na linha de tempo

Usar o Equalizador para Aperfeiçoar seu Áudio

Após ajustar os níveis de áudio dos clipes do seu projeto, talvez seja necessário fazer mais ajustes finos no áudio. Em alguns casos, você pode achar que o diálogo, música e efeitos sonoros estejam competindo pela mesma frequência no espectro sonoro, deixando-o muito sobrecarregado e confuso. É aqui que o uso da equalização pode ajudar, pois permite que você especifique as partes do espectro sonoro que cada trilha deve ocupar. O equalizador também pode ajudar a remover elementos indesejados do áudio, isolando e diminuindo o nível em determinadas frequências que contenham ruídos baixos, zumbidos, ruídos de vento e chiados, ou simplesmente aprimorar a qualidade do som como um todo, tornando-o mais agradável de ouvir.

O DaVinci Resolve fornece filtros EQ que podem ser aplicados ao nível de clipe em clipes individuais ou ao nível de trilha para afetar trilhas inteiras. Cada clipe de áudio na linha de tempo possui um equalizador de quatro bandas no painel inspetor, e cada trilha possui um equalizador paramétrico de 6 bandas no painel do mixer. Os controles gráficos e numéricos para acentuar ou atenuar diferentes intervalos de frequências e os diferentes tipos de filtro permitem que você defina o formato da curva EQ.



O equalizador de quatro bandas pode ser aplicado a todos os clipes na linha de tempo.

As bandas mais afastadas do centro da tela permitem fazer ajustes de filtro de prateleira alta, prateleira baixa, passa-altas e passa-baixas. Um filtro de banda de passagem afeta todas as frequências acima ou abaixo de uma frequência específica ao remover completamente essas frequências do sinal. Por exemplo, um filtro passa-altas permitirá que altas frequências passem por ele ao cortar as frequências baixas. Quaisquer frequências fora do limite de corte de frequência serão cortadas gradualmente em uma curva inclinada para baixo.

Um filtro de prateleira é menos intenso e é útil quando é necessário delinear a extremidade geral superior ou inferior do sinal sem remover essas frequências por completo. O filtro de prateleira acentua ou corta a frequência alvo e todas as frequências acima ou abaixo dela uniformemente, dependendo de como você usar uma prateleira alta ou baixa.

Os controles de banda centrais possibilitam fazer uma grande variedade de ajustes de equalização, e podem ser alternados entre as opções de filtro prateleira baixa, sino, rejeita-faixa e prateleira alta.

Sino

Os filtros de sino reforçam ou cortam frequências a cerca de um determinado ponto central da curva de sino e, como o próprio nome sugere, a forma da curva é semelhante a um sino.

Rejeita-Faixa

Os filtros rejeita-faixa permitem que você marque um intervalo muito reduzido de frequências especificamente. Por exemplo, remover um zumbido de rede elétrica a 50 ou 60 Hz.

Prateleira Baixa

Os filtros de prateleira baixa aumentam ou cortam a frequência alvo na extremidade inferior e todas as frequências abaixo dela.

Prateleira Alta

Os filtros de prateleira alta aumentam ou cortam a frequência alvo na extremidade superior e todas as frequências acima dela.

Como adicionar EQ a um clipe individual:

- 1 Selecione o clipe na linha de tempo ao qual você deseja adicionar o filtro EQ.
- 2 Clique no inspetor e depois clique no botão de ativação “Equalizador”.

Como adicionar EQ a uma trilha:

- 1 Dê um clique duplo na seção EQ para uma das suas trilhas no mixer para abrir o equalizador para essa trilha.
- 2 Selecione o tipo de filtro de banda a partir do menu suspenso para a banda que você deseja ajustar.



A seção EQ no painel do mixer indicando que uma curva EQ foi aplicada à trilha 1.



O equalizador paramétrico de 6 bandas que pode ser aplicado a todas as trilhas.

Uma vez que você adicionou um EQ ao seu clipe ou trilha, é possível ajustar o EQ para cada banda. Observe que os controles podem variar dependendo do tipo de filtro de banda selecionado.

Como ajustar o EQ para um filtro de banda:

- 1 Selecione o tipo de filtro de banda a partir do menu suspenso para a banda que você deseja ajustar.
- 2 Ajuste o valor de frequência para selecionar a frequência central do ajuste de EQ.
- 3 Ajuste o valor do ganho para acentuar ou atenuar as frequências abrangidas por essa banda.
- 4 Use o valor “Fator Q” para ajustar a largura das frequências afetadas.

Use o botão “Redefinir” para restaurar todos os controles da janela EQ aos seus padrões.

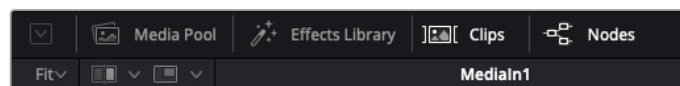
A Fairlight tem vários controles que você pode utilizar para aprimorar a qualidade de cada trilha de áudio. É possível adicionar mais trilhas e ordenar barramentos para organizá-las, além de adicionar efeitos como atraso ou reverberação, e aperfeiçoar sua mixagem de áudio de um modo geral.

Adicionando VFX e Composições com a Página Fusion

Agora que você concluiu sua edição, você pode abrir a página do Fusion para adicionar efeitos visuais e gráficos em movimento 2D ou 3D diretamente no DaVinci Resolve. Diferentemente de programas de composição baseados em camadas, o Fusion utiliza nós, proporcionando a liberdade de criar efeitos complexos e rotear os dados das imagens em qualquer direção desejada. A janela de nós indica claramente todas as ferramentas usadas. Se já tiver experimentado o fluxo de trabalho de nós na página de cores, você se sentirá familiarizado.



A página Fusion conta com duas janelas para o visualizador na parte superior com controles de transporte para visualizar suas mídias, uma janela do inspetor à direita para acessar as configurações de ferramentas e uma janela de nós na parte inferior onde você cria suas composições. Embora os visualizadores e os controles de transporte estejam sempre visíveis, clicar nos ícones na barra de ferramentas da interface na parte superior da tela permitirá que você exiba ou oculte as janelas do inspetor e dos nós, ou mostre ou oculte janelas adicionais, incluindo a biblioteca de efeitos e editores para quadro-chave e curvas.



Pool de Mídia

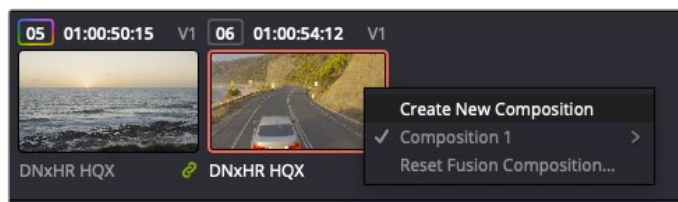
O pool de mídia funciona da mesma maneira que aparece na página de edição. Basta arrastar as mídias adicionais dos seus compartimentos diretamente na sua composição.

Biblioteca de Efeitos

A biblioteca de efeitos é onde você encontra suas ferramentas do Fusion e modelos separados por categorias, incluindo partículas, rastreamento, filtros e geradores. Você pode clicar na ferramenta ou arrastá-la para a área de nós para adicioná-la na sua composição. O pool de mídia e a biblioteca de efeitos ocupam a mesma área da tela, assim é possível alternar entre um e outro para manter seus visualizadores com o maior tamanho possível.

Clipes

Clicar na aba “Clipes” mostra ou oculta as miniaturas representando clipes na sua linha de tempo. As miniaturas ficam localizadas abaixo do editor de nós, permitindo que você navegue instantaneamente até outros clipes.



Você pode criar uma versão nova da sua composição clicando com o botão direito do mouse em uma miniatura e selecionando “Criar Nova Composição”.

Visualizadores

Os visualizadores estão sempre visíveis e permitem que você veja as visualizações diferentes da sua composição, como uma perspectiva 3D geral via o nó de mesclagem 3D, uma saída de câmera ou sua saída final renderizada. Esses visualizadores também permitem que você veja como as alterações estão afetando um elemento específico.

Você pode escolher quais nós visualizar clicando em um nó e digitando “1” para o visualizador esquerdo e “2” para o visualizador direito. Ícones de botão brancos aparecem sobre o nó para informá-lo a qual visualizador ele foi atribuído. Caso esteja usando monitoramento de vídeo externo, haverá um terceiro botão disponível para rotear suas mídias ao seu monitor de vídeo externo.

DICA Você também pode atribuir um nó a um visualizador arrastando o nó para o próprio visualizador.

Os controles de transporte abaixo dos visualizadores permitem que você ignore o início ou o final do clipe, avance, volte ou pare a reprodução. A régua de tempo exibe todo o clipe com marcações amarelas indicando os pontos de entrada e saída.



As marcações amarelas na régua de tempo indicam os pontos de entrada e de saída do seu clipe na linha de tempo. Caso esteja usando um clipe do Fusion ou um clipe composto, a régua de tempo mostrará apenas a duração do clipe à medida que ele aparece na linha de tempo, sem alças.

Nós

A janela de nós é o centro da página do Fusion, onde você cria sua árvore de nós conectando ferramentas, da saída de um nó para a entrada de outro nó. Esta área mudará de tamanho dependendo dos editores abertos, por exemplo o editor de quadros-chave ou spline. Uma barra de ferramentas na parte superior da área de nós inclui as ferramentas mais comumente utilizadas para acesso rápido.

Spline

Quando o editor de splines estiver aberto, ele aparecerá à direita da janela de nós. Este editor permite que você faça ajustes precisos em cada nó, como suavização da animação entre dois quadros-chave usando curvas bézier.

Quadros-Chave

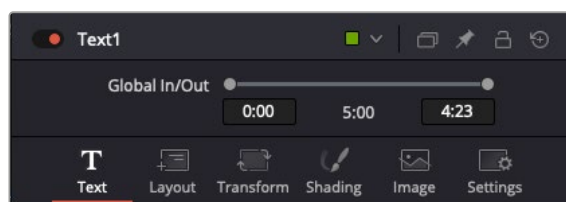
Os quadros-chave podem ser adicionados, removidos ou modificados para cada ferramenta usando o editor de quadros-chave. Ele também aparece à direita do visualizador de nós.

Metadados

A janela de metadados mostrará seus metadados disponíveis para o clipe ativo, incluindo codec, taxa de quadro e código de tempo.

Inspetor

O inspetor no canto superior direito exibe todas as configurações e modificadores disponíveis para um ou mais nós selecionados. Opções de abas adicionais aparecerão para fornecer acesso rápido a outras configurações para nós separados por categoria.

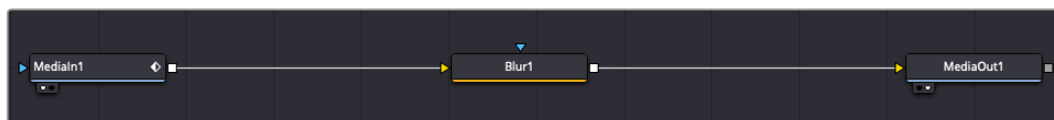


O inspetor de texto contém abas adicionais para texto, layout, transformação, sombreamento, imagem e configuração.

Guia de Introdução ao Fusion

Para começar a usar o Fusion, basta posicionar seu indicador de reprodução sobre qualquer clipe na sua linha de tempo e clicar na aba "Fusion" para abrir a página do Fusion.

Na página do Fusion, seu clipe se disponibiliza imediatamente em um nó de entrada de mídia rotulado "MediaIn". Toda composição começará com um nó "MediaIn" e "MediaOut". Este nó "MediaIn" representa o primeiro clipe na parte superior da sua linha de tempo no indicador de reprodução e ignora quaisquer clipes embaixo. Os ajustes aplicados aos clipes na página de edição, como ferramentas de transformação e alterações de corte, são todos incluídos.



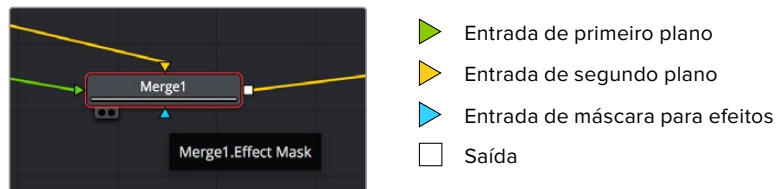
O nó de saída de mídia, chamado "MediaOut", é o nó que reenvia a saída para a linha de tempo na página de edição do DaVinci Resolve.

DICA Os plug-ins Resolve FX e OFX aplicados nos clipes nas páginas de edição e corte não são aplicados na página Fusion. Isso ocorre porque os efeitos Fusion são implementados antes da correção de cores e do processamento OFX/Resolve FX. Caso queira usar OFX antes dos efeitos Fusion, clique com o botão direito do mouse no clipe na página de edição e selecione "Novo Clipe Fusion" antes de clicar na página do Fusion.

Aprendendo sobre Nós

Cada nó funciona como um ícone visual representando uma única ferramenta ou um efeito. Os nós são conectados a outros nós para criar a composição geral, como os ingredientes de um bolo. É importante entender as entradas e saídas de cada nó já que isso ajudará você a navegar pelo fluxo da sua composição enquanto cria efeitos visuais cheios de detalhes.

Algumas ferramentas têm múltiplas entradas e saídas para que você possa conectar a outros nós. O nó de mesclagem, por exemplo, permite anexar uma entrada de primeiro plano, uma entrada de segundo plano e uma entrada da máscara para foscos ou chaves.

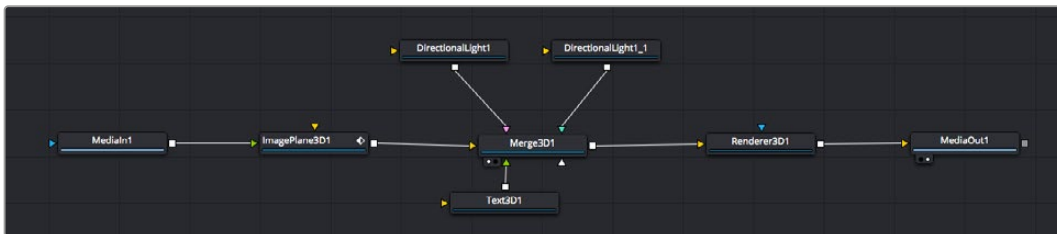


Múltiplas saídas nos nós significam que um único nó pode ser conectado a vários nós diferentes na sua composição, assim você não precisa duplicar clipes como faria em programas baseados em camada. As setas nas linhas entre os nós conectados são excelentes indicadores visuais para mostrar a direção para a qual os dados de imagem estão fluindo.

Adicionar Nós ao Editor de Nó

Adicionar efeitos é tão simples quanto colocar nós nas linhas entre os nós “mediain” e “mediaout”.

Há algumas maneiras diferentes de fazer isso. Você pode segurar o botão shift e soltar um nó entre dois nós ou clicar no nó ao qual deseja incluir um efeito e selecionar a ferramenta que deseja adicionar. O novo nó conectará automaticamente com a ferramenta selecionada. Você também pode adicionar um nó em qualquer lugar na janela de nó e conectar manualmente os nós arrastando a saída de um deles para a entrada em outro.



A ferramenta mais comumente usada é o nó de mesclagem 2D ou 3D. Este nó é como um hub central que combina ferramentas no editor de nó em uma única saída.

O nó de mesclagem oferece controles para gerenciar como as entradas são manipuladas, incluindo configurações para tamanho, posição e mesclagem. Essas configurações são todas acessíveis no painel inspetor quando o nó de mesclagem é selecionado.

A barra de ferramentas no painel de nós contém as ferramentas mais usadas como ícones que você pode clicar para adicionar o nó ou arrastar a ferramenta para o painel de nó. Caso queira visualizar todas as ferramentas disponíveis, clique em “Biblioteca de Efeitos” no canto superior esquerdo e expanda a opção “Ferramentas”. Aqui, você encontrará todas as ferramentas organizadas por categoria, assim como um conjunto de modelos pré-criados para uso, como reflexos de lente, sombreadores e planos de fundo.

DICA Depois de se familiarizar com os nomes das ferramentas, você pode segurar o botão shift e pressionar a barra de espaço no seu teclado e um menu de seleção de ferramentas aparecerá. À medida que digita o nome da ferramenta, o menu recomendará a ferramenta relevante. Esta é uma maneira muito rápida para selecionar a ferramenta desejada.

Ajustando Nós Usando o Painel Inspetor

Ajuste as configurações do seu nó usando o painel inspetor. Basta clicar no nó que deseja modificar e o painel atualizará e exibirá suas configurações e seus controles.

Com o Fusion, você não precisa visualizar o nó que está editando, já que pode modificar um nó enquanto visualiza outro na composição. Por exemplo, você pode modificar o tamanho e a posição central de um nó “text+” enquanto o nó de mesclagem estiver no visualizador, possibilitando que você veja o texto relativo ao segundo plano.



Os nós selecionados aparecem com uma borda vermelha. Aqui o painel inspetor exibe os controles da aba layout para o nó de texto.

Há diferentes parâmetros e configurações para você ajustar cada nó dependendo da tarefa, do tamanho às posições centrais e alterações do número de partículas em um nó emissor. A configuração dos quadros-chave e a alteração das configurações durante o tempo animará o efeito.

Trabalhando com Quadros-Chave

Na janela do inspetor, defina um quadro-chave clicando com o botão direito do mouse em uma configuração e selecionando “Animar” do menu contextual. O ícone do quadro-chave à direita da configuração ficará vermelho. Isso significa que os quadros-chave estão ativos e quaisquer mudanças serão aplicadas ao quadro atual apenas. Quando dois ou mais quadros-chave são criados alterando os parâmetros de configuração em um quadro diferente, uma transição é interpolada entre eles. As setas em cada lado do ícone do quadro-chave permitem que você mova o cursor de reprodução para as posições exatas na linha de tempo.



Aqui, a animação do quadro-chave “Tamanho” foi suavizada em uma curva bézier. Você pode clicar nas alças bézier para encurtar ou alongar a curva ou nos ícones quadrados do quadro-chave para mover a posição do quadro-chave.

O painel spline fornece ainda mais controle sobre a animação de quadros-chave. Você pode selecionar quadros-chave, como o primeiro e o último, e suavizar a animação entre eles em uma curva bézier ao digitar “shift” + “s” ou clicar com o botão direito do mouse em um quadro-chave e selecionar “Moderar”.

Usando o Rastreador de Movimento e Adicionar Texto

Para compreender melhor como usar o Fusion, incluímos os seguintes exemplos para mostrar como usar a ferramenta rastreadora para rastrear um elemento em um clipe, além de adicionar texto e anexá-lo ao elemento usando os dados de rastreamento.

A ferramenta “Rastreador” rastreia pixels ao longo do tempo nos eixos X e Y e gera dados que você pode usar para anexar outros elementos. Ela é ótima quando você quer combinar a posição do texto com um objeto em movimento, como um carro na estrada ou um pássaro voando pelo quadro.

- 1 Na “Biblioteca de Efeitos”, selecione a ferramenta “Rastreador” e arraste-a até a linha entre os nós “MediaIn” e “MediaOut”. Agora, clique no nó rastreador para revelar suas propriedades no inspetor.
- 2 Digite “1” no seu teclado para visualizar o nó rastreador no visualizador esquerdo. O clipe aparecerá no visualizador junto do rastreador na sua posição padrão. Passe o ponteiro do mouse sobre o rastreador para revelar sua alça. Clique na alça do rastreador no canto superior esquerdo e arraste o rastreador para a área de interesse no seu clipe. As áreas de alto contraste funcionam bem, por exemplo, um emblema no capô de um carro. O rastreador magnificará a área da imagem para precisão extra.
- 3 Na janela do inspetor, clique no botão “Rastrear em Avanço” para começar o rastreamento. Uma janela de notificação aparecerá quando o rastreamento for concluído. Clique em “Ok”.

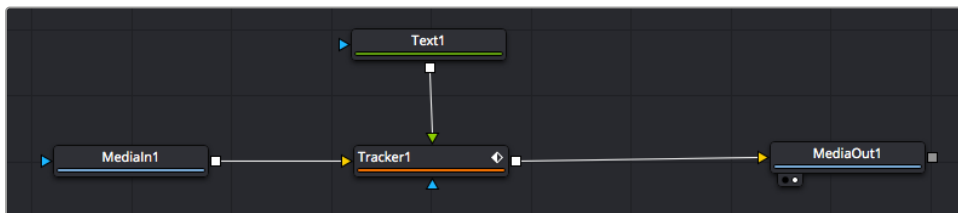


As opções de rastreamento no painel inspetor incluem reversão de rastreamento do último quadro ou quadro atual, interrupção do rastreamento ou avanço do rastreamento do quadro atual ou primeiro quadro.

DICA A reversão ou o avanço do rastreamento do quadro atual é ótima para situações em que sua área de interesse desaparece na faixa de renderização, como um carro ou pássaro saindo do quadro. Isso permite que você rastreie somente a imagem relevante.

Agora, você pode pegar os dados de rastreamento e aplicar o caminho de movimento a uma ferramenta de texto.

- 4 Clique no ícone de nó “Text+” na barra de ferramentas dos nós comumente usados e arraste-o para o painel de nós próximo do nó “Rastreador”. Conecte o quadrado da saída “Texto” à entrada do primeiro plano vermelho no “Rastreador”.



- 5 Clique no nó “Rastreador” e digite “1” para que possa visualizar os resultados mesclados no visualizador esquerdo. No painel “Rastreador” do inspetor, clique na aba “Operações”. Clique no menu próximo da operação e selecione “Combinação de Movimento”.
- 6 Clique no nó “Texto” para revelar suas propriedades no inspetor. Digite seu texto na caixa de texto e altere a fonte, a cor e o tamanho para corresponder à sua composição.

Isso aplicará os dados da posição do rastreamento do seu rastreador ao texto. Caso queira mudar o deslocamento do texto, clique na aba “Rastreadores” de volta no inspetor e use as rodas de rolagem do deslocamento X e Y para modificar a posição.



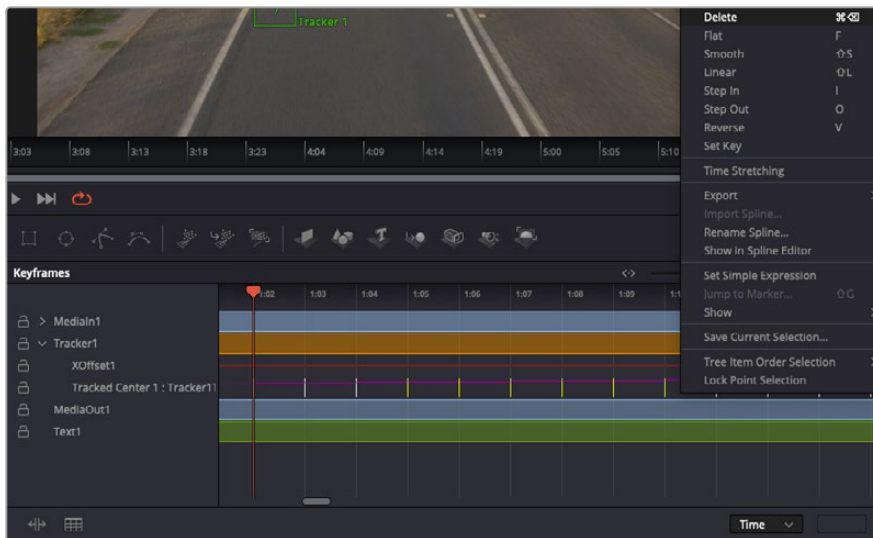
As rodas de rolagem na parte inferior do painel inspetor do rastreador permitem que você ajuste a posição de deslocamento do texto.

Agora, você pode reproduzir a sua composição e visualizar seu texto anexado ao objeto rastreado.



O quadrado verde indica a posição atual do rastreador junto do caminho verde e a linha pontilhada vermelha é a posição de deslocamento usada para animar o texto.

Para algumas imagens, pode ser que você queira remover os pontos de rastreamento após o rastreamento, como quando o objeto rastreado desaparece da tela. O editor de quadros-chave simplifica este processo.



- 7 Clique na aba de quadros-chave acima do inspetor para abrir o editor de quadro-chave. Quaisquer nós com quadros-chave aplicados terão uma pequena seta próxima do rótulo do nó e somente o parâmetro com os quadros-chave adicionados aparecerá na lista abaixo. Clique no ícone de magnificação e arraste a caixa para a área que deseja editar. Esta ação aplicará o zoom na área, assim você pode ver os quadros-chave com maior facilidade.
- 8 Mova o cursor de reprodução para o local do último quadro-chave desejado. Selecione os quadros-chave que deseja remover desenhando uma caixa ao redor deles com seu mouse. Os quadros-chave ficarão destacados em amarelo. Clique com o botão direito do mouse e selecione “Excluir” no menu.

DICA Se seus efeitos exigem muito do sistema, ao clicar com o botão direito do mouse na área dos controles de transporte você obterá as opções do visualizador, incluindo reprodução de proxy, ajudando você obter mais do seu sistema enquanto cria sua composição. Consulte o manual do DaVinci Resolve para mais detalhes sobre todas as opções de reprodução.

Pronto, você concluiu sua primeira composição de animação de texto para combinação de movimento na sua imagem!

Se quiser rastrear uma área da imagem que contenha uma superfície plana que deseje aperfeiçoar ou substituir, você pode usar o rastreador planar. O rastreamento de planos 2D é útil para alteração de rótulos e placas em uma imagem em movimento ou até para adicionar uma imagem a um monitor ou TV no seu plano cinematográfico.

Para mais informações sobre o rastreador planar e as diversas ferramentas poderosas na página Fusion do DaVinci Resolve, consulte o manual do software.

DICA À medida que você cria efeitos visuais na página Fusion, vale a pena observar se o efeito sendo criado é um efeito 2D ou 3D, já que isto determinará a ferramenta de mesclagem a ser usada. Você pode vir a descobrir que está combinando efeitos 2D e 3D frequentemente na mesma composição. Neste cenário, é útil lembrar que qualquer efeito visual usando a área 3D precisa ser renderizado como uma imagem 2D antes de ser incorporado na composição 2D.

Esperamos que você se divirta muito com o Fusion e possa explorar seus efeitos visuais com o poder das páginas de edição, cor e Fairlight do DaVinci Resolve. Com todas essas ferramentas na ponta dos seus dedos, o DaVinci Resolve torna-se uma solução incrivelmente poderosa. Não há limite para o que você pode criar!

Masterizando Sua Edição

Agora que você editou, colorizou, adicionou efeitos especiais e fez a mixagem do seu áudio, é hora de compartilhar o trabalho. Você pode usar o botão de Exportação Rápida ou a seleção no menu para exportar o conteúdo da linha de tempo como um arquivo independente em uma variedade de formatos diferentes, ou utilizar os recursos adicionais da página “Entrega”.



A página “Entrega” é onde você exporta sua edição. É possível selecionar vários formatos e codecs de vídeos diferentes.

Exportação Rápida

Você pode selecionar Arquivo > Exportação Rápida para usar uma variedade de predefinições de exportação para exportar seu programa de qualquer página do DaVinci Resolve. É possível até usar a exportação rápida para exportar e carregar seu programa a um dos serviços de compartilhamento de vídeos suportados, incluindo, YouTube, Vimeo, Twitter e Frame.io.

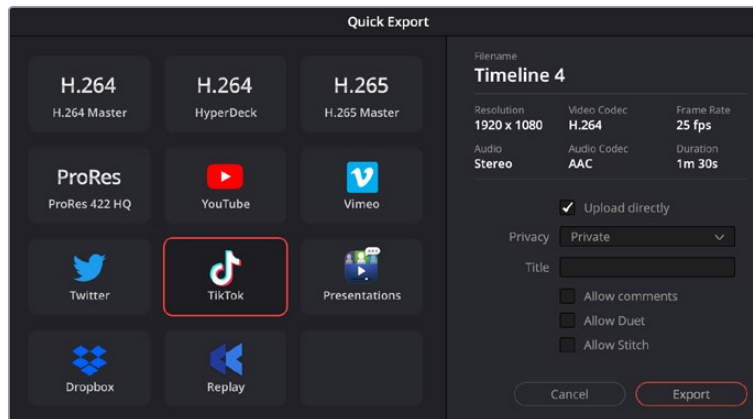
Como usar Exportação Rápida:

- 1 Na página Corte, Edição, Fusion ou Cor, defina pontos de entrada e saída opcionalmente na linha de tempo para escolher um trecho do programa atual para exportar. Se nenhum ponto de entrada ou saída for definido, a linha de tempo inteira será exportada.

Selecione Arquivo > Exportação Rápida

- 2 Selecione uma predefinição para usar a partir dos ícones no diálogo de exportação. Se deseja fazer o upload simultâneo para uma conta online, clique em “Entrar” e, em seguida, marque a caixa “Carregar diretamente” e preencha os detalhes. Clique em “Exportar”.
- 3 Selecione um local do diretório e insira um nome de arquivo usando o diálogo da exportação e clique em “Salvar”. Durante a exportação, uma caixa de diálogo exibe uma barra de progresso indicando o tempo restante.

OBSERVAÇÃO Ao fazer o upload diretamente para contas online como o TikTok, você também pode fazer o login usando as configurações de conta de internet do DaVinci. Essas configurações estão localizadas na aba “Sistema” das preferências do DaVinci Resolve.



Carregue diretamente no TikTok ao exportar seu projeto clicando na configuração “Carregar diretamente” e preenchendo os detalhes.

Página Entrega

Esta página permite que você selecione o número de clipes que deseja exportar, além do formato, codec e da resolução desejados. É possível exportar em muitos tipos de formatos, como QuickTime, AVI, MXF e DPX, usando codecs de 8 ou 10 bits sem compactação em RGB/YUV, como ProRes, DNxHD, H.264 e muito mais.

Como exportar um único clipe da sua edição:

- 1 Clique na aba “Entrega” para abrir a página de entrega.
- 2 Vá até a janela “Configurações de Renderização” no canto superior esquerdo da página. Agora você pode escolher um número de predefinições de exportação, por exemplo, YouTube, Vimeo e predefinições de áudio, ou você pode definir suas próprias configurações de exportação manualmente ao deixar a predefinição padrão “Personalizado” selecionada e inserir os seus próprios parâmetros. Para este exemplo, selecione YouTube, depois clique na seta junto da predefinição e selecione o formato de vídeo 1080p.

A taxa de quadro será fixada à configuração da taxa de quadro do seu projeto.

- 3 Abaixo das predefinições, você verá o nome de arquivo da linha de tempo e o local de destino para o seu vídeo exportado. Clique no botão “Buscar” e escolha onde deseja salvar seu arquivo exportado. Em seguida, selecione “Clipe Único” como a opção de renderização.
- 4 Logo acima da linha de tempo, você verá uma caixa de opções “Linha de Tempo Completa” selecionada. Ela exportará toda a linha de tempo, mas é possível selecionar intervalos da linha de tempo, se desejado. Basta selecionar “Intervalo de Entrada/Saída” e depois usar as teclas de atalho “I” e “O” para selecionar os pontos de entrada e saída na sua linha de tempo.
- 5 Acesse a parte inferior das configurações “Configurações de Renderização” e clique no botão “Adicionar à Fila de Renderização”.

Suas configurações de renderização serão adicionadas à fila de renderização no lado direito da página. Agora, basta clicar em “Iniciar” e monitorar o progresso da sua renderização na fila.

Quando a sua renderização estiver concluída, você pode abrir o local da pasta, clicar duas vezes no seu novo clipe renderizado e assistir a sua edição finalizada.

Agora que você tem conhecimentos básicos sobre como editar, colorir, fazer a mixagem de áudio e adicionar efeitos visuais, recomendamos que você experimente com o DaVinci Resolve. Consulte o manual DaVinci Resolve para mais detalhes sobre como cada recurso pode ajudá-lo a aproveitar ao máximo o seu projeto!

No DaVinci Resolve Studio, os seguintes plug-ins “Resolve FX Revival” podem ajudá-lo a restaurar imagens que você digitalizou com o seu Cintel Scanner. Essas ferramentas poderosas podem reduzir ruído, corrigir arranhões e manchas e ajudar a remover outros danos e artefatos visíveis dos seus clipes de filme.

Remoção de Sujeira Automática

O plug-in de “Remoção de Sujeira Automática” utiliza tecnologia de fluxo óptico para direcionar e reparar fragmentos temporalmente instáveis de poeira, sujeira, cabelo, manchas de fita adesiva e outros artefatos indesejáveis que duram um ou dois quadros e depois desaparecem. Todas as correções são feitas mantendo detalhes estruturalmente consistentes no quadro subjacente, resultando em uma restauração de alta qualidade da imagem. Felizmente, apesar da sua sofisticação, este é um plug-in relativamente fácil de utilizar. Basta arrastar o plug-in para um plano e ajustar os parâmetros para os melhores resultados.



Imagem original (esquerda) e usando a remoção de sujeira automática (direita)

OBSERVAÇÃO Este plug-in tem menos sucesso com arranhões verticais que permanecem na mesma posição em múltiplos quadros, e é completamente ineficaz para sujeira na lente que se mantém durante o plano inteiro.

Controles Principais

Os principais controles para ajustar quanta sujeira será removida da imagem são:

Estimativa

Permite escolher entre “Nenhuma”, “Acelerada”, “Normal” e “Superior”. Isto ajusta a conciliação entre desempenho e qualidade.

Quadros Vizinhos

Permite selecionar quantos quadros comparar ao detectar sujeira. Escolher mais quadros para comparação toma mais tempo do processamento, mas geralmente acaba encontrando mais poeira e artefatos.

Intensidade do Reparo

Esse deslizador permite escolher quão agressivamente corrigir a sujeira e os artefatos encontrados. Configurações mais baixas podem deixar pequenos bocados que sejam ou não sejam poeira passar, enquanto configurações mais altas eliminam tudo que for encontrado.

Limite de Tamanho

Este controle deslizante permite ajustar o tamanho mínimo que uma parte detectada de sujeira deve ter para ser removida. Aumentar este parâmetro permite omitir elementos como o grão do filme da operação, mas pode permitir a passagem de partes menores de sujeira.

Exibir Máscara de Reparo

Esta caixa de seleção permite visualizar a sujeira e os artefatos que são detectados isoladamente, para que você possa verificar a eficácia dos resultados enquanto ajusta este filtro.

Controles Finos

Esses controles permitem refinamentos precisos do efeito, buscando alcançar o equilíbrio ideal entre remover a sujeira com eficácia e preservar os detalhes reais da imagem.

Limite de Movimento

Esse deslizador permite escolher o limite ao qual os pixels em movimento são considerados sujeira e artefatos. Em valores mais baixos, mais sujeira pode escapar da correção, mas ocorrerão menos artefatos de movimento. Em valores mais altos, mais sujeira será eliminada, porém mais artefatos de movimento poderão ocorrer em filmagens com movimento da câmera ou do sujeito.

Ignorar Bordas

Esse deslizador permite excluir bordas sólidas na imagem de serem afetadas pela sujeira ou artefatos removidos. Valores mais altos impedem que mais bordas sejam afetadas.

Correção de Pixels Quentes

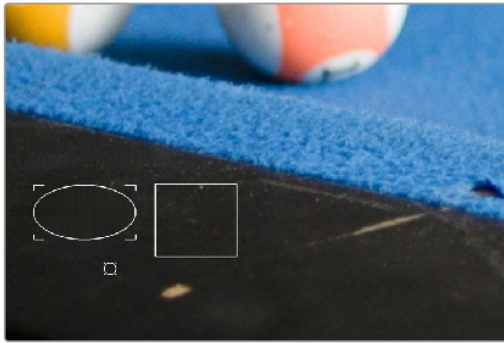
Se você tiver clipes do digitalizador ou imagens importadas com um ou mais pixels fixos em um lugar específico com uma cor ou brilho específicos, o DaVinci Resolve conta com um filtro que pode ajudar a corrigi-los. Esse filtro foi desenvolvido para que você posicione correções em cada pixel quente e os identifique para usar diferentes métodos de limpeza dessas áreas da imagem.

Em muitos aspectos, esse filtro é semelhante ao Extrator de Poeira, no entanto, o efeito Extrator de Poeira foi desenvolvido para reparar partes transitórias de poeira e sujeira que duram apenas um ou dois quadros, enquanto este filtro é projetado para atuar em defeitos que estão fixos no lugar durante um clipe.

Para corrigir pixels quentes:

- 1 Aplique o filtro chamado 'Reparador de Pixel Morto' e ative os controles OFX na tela no visualizador.
- 2 Nas configurações de filtro, selecione 'Posicionar Correção' e clique em cada pixel que você precisa corrigir. Você pode clicar em qualquer lugar da imagem e posicionar quantas correções desejar.

Para mover uma correção, basta arrastá-la para outro local. Você também pode clicar segurando a tecla Option para excluir as correções que não são mais necessárias.



Múltiplas remoções de pixels quentes.

Ao posicionar várias correções, você pode clicar para selecionar as correções para as quais deseja ajustar os controles. Cada correção pode ter configurações de controle diferentes.

Geral

Esses controles de nível superior permitem escolher como desenhar as correções para reparar as imperfeições no quadro, se deseja ou não mostrar seus controles na tela, e como fazê-lo.

Tipos de Correções

Existem três tipos de correções que você pode desenhar para lidar com diferentes tipos de defeitos no quadro.

Desenhar Retângulo

Clique e arraste para inserir uma correção retangular de qualquer tamanho de um canto para o canto oposto. Uma vez desenhada, você pode clicar em qualquer borda da sobreposição e arrastar para reposicioná-la.

Desenhar Elipse

Clique e arraste para inserir uma correção elíptica de qualquer tamanho de um canto para o canto oposto. Uma vez desenhada, você pode clicar em qualquer borda da sobreposição e arrastar para reposicioná-la.

Posicionar Correção

Permite posicionar pequenas correções, especificamente para detalhes minúsculos como pixels quentes. Quando você escolhe esta opção, é exibido um deslizador “Novo Tamanho de Correção”, que permite ajustar o tamanho das correções antes de posicioná-las. Uma vez desenhada, você pode clicar na borda de qualquer correção e arrastar para reposicioná-la.

Novo Tamanho de Correção quando Posicionar Correção está Selecionado

Essa configuração permite escolher o tamanho da correção a ser inserida quando a ferramenta “Posicionar Correção” estiver sendo utilizada.

Exibir Correções

Esta caixa de verificação permite exibir ou ocultar o contorno de todas as correções no visualizador.

Ocultar Durante Interação

Oculto o contorno de todas as correções no visualizador enquanto você estiver movendo uma correção. Isso facilita a visualização do efeito de mover a correção na imagem, sem que o contorno atrapalhe.

Tipo de Correção

Existem três métodos que você pode usar para tentar reparar o conteúdo de uma correção selecionada. Ao desenhar novas correções, o tipo de correção selecionado no momento determinará qual será a próxima correção. Quando você seleciona uma correção existente, alterar o tipo de correção mudará a forma como essa correção funciona.

Espacial

Preenche automaticamente o interior da correção selecionada com pixels extraídos dos arredores da correção, usando o método de preenchimento. Isso funciona bem para defeitos pequenos. Contudo, para defeitos maiores, um padrão pode ser perceptível, evidenciando o efeito.

Clone

O modo de clonagem copia parte da imagem para preencher uma forma ou correção posicionada por cima do elemento que você deseja remover. Neste modo, clicar e arrastar para posicionar um retângulo ou elipse por cima de uma imperfeição é seguido por um segundo clique para posicionar a região de amostra que você deseja clonar. Clicar uma vez para posicionar uma correção será seguido por um segundo clique para posicionar a região de amostra. Selecionar uma forma ou correção existente e escolher "Clonar" permite que você clique na forma para posicionar a área de clonagem. A região de amostra é indicada por uma forma pontilhada que está conectada à forma original.

Misturar Clone

Opera de forma semelhante ao modo de clonagem, exceto que a parte copiada da imagem que preenche o retângulo, elipse ou correção é misturada com a imagem para integrá-la mais suavemente.

Método de Preenchimento

Ao usar o tipo de correção espacial, o método de preenchimento determina como a mancha na imagem será reparada.

Grade

Realiza uma amostra dos pixels ao redor do retângulo, elipse ou correção e aplica um desfoque direcionado para dentro, tanto horizontal quanto verticalmente. É extremamente eficaz para pequenas imperfeições. Para imperfeições maiores, pode surgir um padrão semelhante a uma grade.

Horizontal

Realiza uma amostra dos pixels à esquerda e à direita do retângulo, elipse ou correção e aplica um desfoque direcionado para dentro.

Vertical

Realiza uma amostra dos pixels acima e abaixo do retângulo, elipse ou correção e aplica um desfoque direcionado para dentro.

Irregular

Realiza uma amostra dos pixels de todos os lados do retângulo, elipse, ou correção e os expande e desfoca juntos para criar uma região suave e não uniforme para reparar a imperfeição. Não tem o mesmo padrão de grades utilizado em outros métodos de preenchimento, mas produz um resultado extremamente suave.

Suave

Simplemente utiliza um desfoque gaussiano para reparar a mancha.

Opções de Correção

Essas opções permitem personalizar o efeito do preenchimento de uma correção sobre uma imperfeição.

Silenciar

Permite ativar e desativar uma correção específica via quadros-chave. É útil para imperfeições que aparecem somente em alguns pixels de um plano de imagem.

Variabilidade para Correções Espaciais

Aumentar o parâmetro de variabilidade permite tornar o método de preenchimento menos uniforme.

Suavizar Bordas

Permite suavizar as bordas da correção.

Ajustar Tamanho

Permite alterar o tamanho de uma correção após sua criação.

Controles Avançados

Estes controles permitem que você personalize a IU de um efeito.

Clone Acompanha Mouse

Quando ativado, desenhar ou posicionar um retângulo, elipse ou correção nos modos “Clone” ou “Misturar Clone” alterna imediatamente para o posicionamento da região de amostra, tornando o recurso mais rápido de utilizar.

Novas Correções Permanecem Seleccionadas

Quando ativado, as correções permanecem seleccionadas depois que você as desenha, em preparação para uma personalização adicional.

Espessura da Linha da IU

Permite seleccionar a espessura das bordas exibidas na tela.

Correções Acompanham

Este parâmetro permite ajustar a correção de pixels quentes ou outras imperfeições em cliques que foram estabilizados.

Fonte

As correções permanecem no lugar, a menos que você aplique estabilização de movimento à filmagem. Neste caso, as correções são transformadas junto com a imagem para que permaneçam “presas” à característica no clipe original que estiverem corrigindo.

Cena

Caso esteja eliminando uma imperfeição em um objeto em movimento, é possível utilizar o rastreador FX para rastrear o elemento que você está corrigindo, assegurando que a correção o siga adequadamente.

Modo de Saída

Permite visualizar diferentes representações do efeito de correção que você está criando. Existem quatro opções:

Resultado Corrigido

O resultado final, com cada correção reparando a imperfeição que está cobrindo.

Locais das Correções

Exibe uma chave, onde cada correção posicionada é representada em branco sobre preto.

Diferenças

Exibe a diferença de cada correção em comparação à imagem original.

Magnitude da Diferença

Exibe uma representação mais acentuada das diferenças.

Descintilador

O plug-in “Descintilador” trata de vários problemas, como exposição cintilante em clipes de lapso de tempo, iluminação fluorescente cintilante, cintilação em filmes de arquivo e, em certos casos mais sutis, até as barras rolantes encontradas em telas de vídeo gravadas em câmeras com velocidades de obturador não correspondentes. Dois aspectos cruciais deste filtro são que ele se concentra exclusivamente em variações rápidas e temporalmente instáveis na luminosidade e que é capaz de identificar e tratar apenas as áreas da imagem afetadas pela cintilação, deixando as demais partes da imagem intactas. Como resultado, este plugin frequentemente consegue solucionar problemas que anteriormente eram considerados impossíveis de corrigir.



Imagem original (esquerda) e descintilador configurado para luz fluorescente (direita)

Parâmetros Principais

Por padrão, a seção superior deste plug-in exibe um único controle, que em muitos casos pode ser o único necessário.

Menu de Configuração do Descintilador

As duas opções na parte superior, “Lapso de Tempo” e “Luz Fluor”, são predefinições que efetivamente eliminam duas categorias diferentes de artefatos de cintilação. Se nenhuma dessas predefinições for tão eficaz quanto você esperava, uma terceira opção, “Controles Avançados”, abre os controles “RR Temporal” no centro deste plug-in para permitir que você o ajuste ainda mais de acordo com suas necessidades.

RR Temporal

Ocultos por padrão, estes controles aparecem apenas quando você ajusta a configuração do Descintilador para “Controles Avançados” e permitem que você detecte movimentos na cena para que a cintilação possa ser corrigida corretamente em relação ao movimento de sujeitos e itens dentro do quadro onde ela aparece.

Quadros Laterais

Especifica o número de quadros para analisar ao determinar o que está em movimento. Valores mais altos nem sempre são melhores, a melhor configuração é, novamente, dependente da cena. O padrão é 3.

Estimativa

Seleciona o método usado pelo DaVinci Resolve para analisar a imagem para detectar movimento. Apesar dos nomes das opções disponíveis, quais opções funcionarão melhor dependem muito da cena. "Acelerada" é menos intensiva para o processador, mas menos precisa. Porém, isso pode ser uma vantagem e, na verdade, desempenhar um melhor trabalho nas imagens cheias de detalhes, que confundiriam a opção "Superior". Selecionar "Superior" é mais preciso, porém mais intenso para o processador. Esta opção também se esforçará mais para corresponder detalhes finos, o que, por vezes, pode causar falhas. "Nenhuma" permite desabilitar a análise de movimento por completo, o que pode funcionar bem e será significativamente mais rápido em situações onde não há nenhum movimento na cena. O padrão é "Superior".

Intervalo de Movimento

Três configurações, "Menor", "Média" e "Maior", permitem selecionar a velocidade do movimento que deve ser detectado no quadro.

Limite Luma

Determina o limite acima do qual as alterações de luma não serão consideradas cintilação. O intervalo é de 0 - 100, 0 para descintilação de nada e 100 aplica descintilação a tudo. O padrão é 100.

Limite Cromo

Determina o limite acima do qual as alterações de croma não serão consideradas cintilação. O intervalo é de 0 - 100, 0 para descintilação de nada e 100 aplica descintilação a tudo. O padrão é 100.

Coligar Luma Cromo

Permite selecionar se você quer ou não coligar os deslizadores dos limites Luma e Cromo.

Limite de Movimento

Define o limite acima do qual o movimento não será considerado cintilação.

Opções de Otimização de Velocidade

Fechadas por padrão, ao abrir estas configurações, dois controles aparecem:

Movimento com Detalhes Reduzidos

Habilitada por padrão, esta caixa de verificação reduz a quantidade de detalhes analisados para detectar cintilação. Em muitos casos, não há diferença visível com esta configuração, mas ela aumenta a velocidade de processamento. Desabilite esta configuração se o seu clipe tiver detalhes finos sendo suavizados muito agressivamente.

Limitar Área de Análise

Habilitar esta opção revela controles sobre uma caixa de amostra que você pode utilizar para limitar a descintilação para uma área específica da imagem. Esta opção é útil quando: apenas uma parte da imagem está cintilando, portanto se concentrar somente nessa área acelera a operação significativamente, ou parte da imagem está sendo suavizada em excesso pela descintilação que está corrigindo outra área da imagem perfeitamente.

Restaurando Detalhes Originais Após Descintilação

Fechadas por padrão, ao abrir estas configurações, dois controles aparecem:

Detalhes a Restaurar

Permite que você isole rapidamente granulação, detalhes finos e bordas nítidas que não deveriam ser afetadas pela operação de descintilação, preservando esses detalhes finos exatamente como estão.

Exibir Detalhes Restaurados

Habilitar esta caixa de verificação permite que você veja as bordas que são detectadas e usadas pelo deslizador “Detalhes a Restaurar” para ajudar a aperfeiçoar esta operação.

Saída

O menu “Saída” permite selecionar do que o Descintilador faz a saída, com opções que ajudam a solucionar cliques problemáticos. As opções disponíveis são:

Descintilação Resultante

O resultado final e restaurado. Esta é a configuração padrão.

Cintilação Detectada

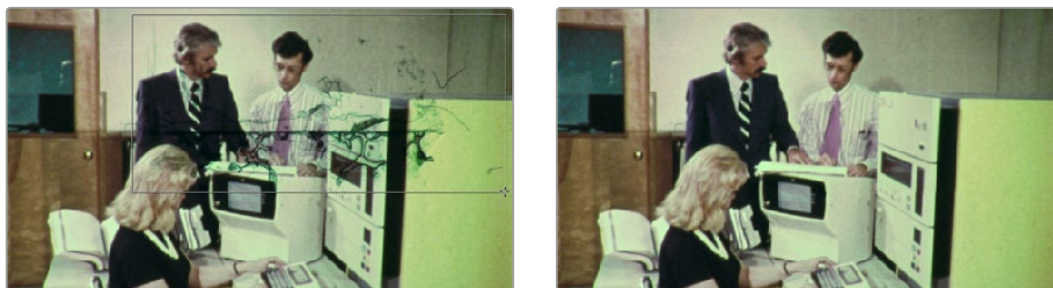
Esta opção exibe uma máscara que destaca as áreas da imagem sendo detectadas como cintilantes, para ajudar a avaliar se as áreas corretas da imagem estão sendo identificadas. Contudo, esta máscara pode ser bastante sutil.

Cintilação Magnificada

Estas opções exibem uma versão exagerada da máscara de “Cintilação Detectada”, facilitando visualizar o que o plug-in Descintilador está fazendo.

Extrator de Poeira

Este plug-in também foi desenvolvido para eliminar poeira, resíduos e outras imperfeições e artefatos de cliques. Contudo, ele só faz isso com orientação do usuário para cliques onde o plug-in “Remoção de Sujeira Automática” rende resultados insatisfatórios. Esta orientação consiste em se deslocar pelo clipe, quadro a quadro, e desenhar caixas em torno das imperfeições que você deseja eliminar. Depois de ter desenhado uma caixa, a imperfeição em questão é “milagrosamente” removida da maneira mais eficiente possível. Isso funciona bem para poeira e resíduos, mas também para manchas e borrões maiores.



Desenhando uma caixa ao redor da sujeira na imagem original (esquerda) e o plug-in Extrator de Poeira aplicado à imagem (direita)

O processo de remoção de poeira e sujeira é semelhante ao reparo de um pixel quente. No entanto, o efeito Extrator de Poeira foi criado para reparar partículas de poeira e sujeira transitórias que duram apenas um ou dois quadros, enquanto as correções de pixels quentes permanecem no lugar durante toda a duração do clipe.

Controles Gerais

Esses controles permitem que você escolha como desenhar correções para reparar poeira e sujeira temporariamente instáveis no quadro; exibir ou ocultar seus controles na tela; e o método utilizado.

Controles de Navegação

Quatro botões permitem pular para quadros onde você desenhou correções. São quatro botões:

Primeiro Quadro Modificado

O cursor de reprodução salta ao primeiro quadro do clipe corrigido.

Quadro Anterior Modificado

O cursor de reprodução salta ao quadro corrigido anterior.

Próximo Quadro Modificado

O cursor de reprodução salta ao próximo quadro corrigido em avanço.

Último Quadro Modificado

O cursor de reprodução salta em avanço ao último quadro corrigido.

Tipo de Correção

Existem três tipos de correções que você pode desenhar para lidar com diferentes tipos de imperfeições no quadro.

Desenhar Retângulo

Clique e arraste para inserir uma correção retangular de qualquer tamanho de um canto para o canto oposto. Uma vez desenhada, você pode clicar em qualquer borda da sobreposição e arrastar para reposicioná-la.

Desenhar Elipse

Clique e arraste para inserir uma correção elíptica de qualquer tamanho de um canto para o canto oposto. Uma vez desenhada, você pode clicar em qualquer borda da sobreposição e arrastar para reposicioná-la.

Posicionar Correção

Permite posicionar pequenas correções, especificamente para detalhes minúsculos como pixels quentes. Quando você escolhe esta opção, é exibido um deslizador “Novo Tamanho de Correção”, que permite ajustar o tamanho das correções antes de posicioná-las. Uma vez desenhada, você pode clicar na borda de qualquer correção e arrastar para reposicioná-la.

Tamanho quando Posicionar Correção está selecionado

Permite escolher o tamanho da correção a ser inserida quando a ferramenta “Posicionar Correção” estiver sendo utilizada.

Exibir Correções

Esta caixa de verificação permite exibir ou ocultar o contorno de todas as correções no visualizador.

Ocultar Durante Interação

Oculto o contorno de todas as correções no visualizador enquanto você estiver movendo uma correção. Isso facilita a visualização do efeito de mover a correção na imagem, sem que o contorno atrapalhe.

Tipo de Correção

Existem seis métodos que você pode usar para tentar corrigir o conteúdo de uma correção selecionada. Ao desenhar novas correções, o tipo de correção selecionado no momento determinará qual será a próxima correção. Quando você seleciona uma correção existente, alterar o tipo de correção mudará a forma como essa correção funciona.

Automático

É o método padrão. Ao desenhar uma caixa delimitadora, os dois quadros anteriores e os dois quadros posteriores ao clipe atual serão analisados e comparados à imagem atual. O melhor desses cinco quadros será empregado para remover a imperfeição no quadro atual. Imagens com dois quadros de distância serão priorizadas, já que isto evitará o aparecimento de granulação estática, mas somente se forem uma correspondência adequada para o conteúdo do quadro atual.

+/-1 Quadro

Neste modo, se você desenhar uma caixa delimitadora da esquerda para a direita, o próximo quadro será utilizado para remover a imperfeição. Caso desenhe uma caixa delimitadora da direita para a esquerda, o quadro anterior será usado.

+/-2 Quadros

Se você desenhar uma caixa delimitadora da esquerda para a direita, a imagem de dois quadros em avanço será utilizada para remover a imperfeição. Caso desenhe a caixa delimitadora da direita para a esquerda, a imagem de dois quadros em retrocesso será usada.

Espacial

Preenche automaticamente o interior da correção selecionada com pixels extraídos dos arredores da correção, usando o método de preenchimento. Isso funciona bem para pequenas imperfeições. Contudo, para imperfeições maiores, um padrão pode ser perceptível, evidenciando o efeito.

Clone

O modo de clonagem copia parte da imagem para preencher uma forma ou correção posicionada por cima do elemento que você deseja remover. Neste modo, clicar e arrastar para posicionar um retângulo ou elipse por cima de uma imperfeição é seguido por um segundo clique para posicionar a região de amostra que você deseja clonar. Clicar uma vez para posicionar uma correção será seguido por um segundo clique para posicionar a região de amostra. Selecionar uma forma ou correção existente e escolher "Clonar" permite que você clique na forma para posicionar a região de clonagem. A região de amostra é indicada por uma forma pontilhada que está conectada à forma original.

Misturar Clone

Opera de forma semelhante ao modo de clonagem, exceto que a parte copiada da imagem que preenche o retângulo, elipse ou correção é misturada com a imagem para integrá-la mais suavemente.

Método de Preenchimento

Ao usar o tipo de correção espacial, o método de preenchimento determina como a mancha na imagem será reparada.

Grade

Realiza uma amostra dos pixels ao redor do retângulo, elipse ou correção e aplica um desfoque direcionado para dentro, tanto horizontal quanto verticalmente. É extremamente eficaz para pequenas imperfeições. Para imperfeições maiores, pode surgir um padrão semelhante a uma grade.

Horizontal

Realiza uma amostra dos pixels à esquerda e à direita do retângulo, elipse ou correção e aplica um desfoque direcionado para dentro.

Vertical

Realiza uma amostra dos pixels acima e abaixo do retângulo, elipse ou correção e aplica um desfoque direcionado para dentro.

Irregular

Realiza uma amostra dos pixels de todos os lados do retângulo, elipse, ou correção e os expande e desfoca juntos para criar uma região suave e não uniforme para reparar a imperfeição. Não tem o mesmo padrão de grades utilizado em outros métodos de preenchimento, mas produz um resultado extremamente suave.

Suave

Simplemente utiliza um desfoque gaussiano para reparar a imperfeição.

Opções de Correção

Essas opções permitem personalizar o efeito do preenchimento de uma correção sobre uma imperfeição.

Silenciar

Permite ativar e desativar uma correção específica com quadros-chave. É útil para imperfeições que aparecem somente em alguns pixels de um plano de imagem.

Variabilidade (para Correções Espaciais)

Aumentar este parâmetro permite tornar o método de preenchimento menos uniforme.

Suavizar Bordas

Permite suavizar as bordas da correção.

Ajustar Tamanho

Permite alterar o tamanho de uma correção após sua criação.

Controles Avançados

Estes controles permitem que você personalize a IU de um efeito.

Clone Acompanha Mouse

Quando ativado, desenhar ou posicionar um retângulo, elipse ou correção nos modos “Clone” ou “Misturar Clone” alterna imediatamente para o posicionamento da região de amostra, tornando o recurso mais rápido de utilizar.

Novas Correções Permanecem Seleccionadas

Quando ativado, as correções permanecem seleccionadas depois que você as desenha, em preparação para uma personalização adicional.

Espessura da Linha da IU

Permite seleccionar a espessura das bordas exibidas na tela.

Modo de Saída

Permite visualizar diferentes representações do efeito corrigido que você está criando. Existem quatro opções:

Resultado Corrigido

O resultado final, com cada correção reparando a imperfeição que está cobrindo.

Locais das Correções

Exibe uma chave, onde cada correção posicionada é representada em branco sobre preto.

Diferenças

Exibe a diferença de cada correção em comparação à imagem original.

Magnitude da Diferença

Exibe uma representação mais acentuada das diferenças.

Redução de Ruído

Com base nos controles de redução de ruído na página Cor, o Resolve FX de redução de ruído oferece dois tipos de redução de ruído acelerada por GPU, desenvolvidos para amenizar o ruído em clipes problemáticos. Ambos os métodos de redução de ruído podem ser usados separadamente ou juntos, em quantidades variadas, dependendo das necessidades do material em que você estiver trabalhando.

Controles de RR Temporal

Os controles de RR Temporal analisam imagens por múltiplos quadros para isolar o ruído dos detalhes. As configurações de estimativa de movimento permitem que você exclua objetos em movimento desta operação para evitar artefatos de movimento não desejados.

Quadros Laterais

A quantidade de quadros que você deseja que o DaVinci Resolve use como média para separar os detalhes do ruído. Você pode selecionar entre 0 e 5 quadros. 0 não aplica nenhuma média de quadros, valores mais altos aplicam mais quadros para a média, à custa de ser consideravelmente mais intenso computacionalmente conforme um valor mais elevado é usado. Do mesmo modo, uma configuração de quadro mais alta produzirá uma melhor análise, mas pode produzir artefatos indesejados caso existam imagens de movimento rápido no quadro. O valor 1 pode produzir resultados superiores para imagens de movimentação rápida. Caso precise valores de quadro mais elevados mas veja artefatos, você também pode tentar ajustar o “Limite de Movimento” para corrigir o problema.

Estimativa

Escolhe o método usado pelo DaVinci para detectar movimento na imagem. O padrão, “Acelerada”, é menos intenso para o processador, mas menos preciso. Selecionar “Superior” pode efetivamente excluir movimentos mais precisamente, mas é mais intenso para o processador. “Nenhuma” permite desabilitar a estimativa de movimento por completo, com o resultado sendo a aplicação de RR temporal à imagem inteira.

Intervalo de Movimento

Três configurações, incluindo “Menor”, “Médio” e “Maior”, permitem que você defina a velocidade do movimento que a “Estimativa” deve excluir. A configuração “Menor” assume que se trata de sujeitos de movimentação lenta com pouco ou nenhum desfoque, permitindo que a RR temporal afete mais da imagem em uma configuração de limite de movimento determinada. A configuração “Maior” assume que se trata de movimento rápido com desfoque ocupando uma área maior da imagem, o que exclui mais da imagem para a RR temporal com a mesma configuração de limite de movimento. Opte pela configuração que ofereça a melhor conciliação entre uma redução dos ruídos e a introdução de artefatos de movimento ao ajustar o parâmetro de limitação do movimento.

Controles de Limite Temporal

Os parâmetros de limite temporal permitem que você controle quais características da imagem sofrerão mais ou menos redução de ruído.

Limite Luma

Permite que você determine a quantidade de RR temporal que será aplicada ao componente luma da imagem. O intervalo é de 0-100, onde 0 não aplica qualquer redução de ruído e 100 aplica a quantidade máxima. Uma configuração elevada demais pode eliminar os detalhes finos da imagem.

Limite Cromo

Permite que você determine quanto ou quão pouco da RR temporal aplicar ao componente croma da imagem. O intervalo é de 0-100, onde 0 não aplica qualquer redução de ruído e 100 aplica a quantidade máxima. Uma configuração elevada demais pode eliminar os detalhes finos coloridos da imagem, embora seja possível considerar que você pode aumentar mais o “Limite Cromo” do que o “Limite Luma” com menos artefatos perceptíveis.

Coligar Luma Cromo

Normalmente, os parâmetros de limite luma e croma são coligados para que o ajuste de um ajuste ambos. Contudo, ao desmarcar essa opção, você pode desaliar esses parâmetros para ajustar quantidades diferentes de redução de ruído para cada componente da imagem, dependendo de onde o ruído aparenta ser pior.

Movimento

Define o limite que separa quais pixels em movimento estão em movimento versus quais pixels em movimento estão estáticos. Pixels em movimento estão acima do limite, enquanto pixels em movimento que estão estáticos estão abaixo do limite. Ao usar “Estimativa”, a redução de ruído temporal não é aplicada às áreas da imagem superiores a este limite, para evitar artefatos de movimento ao não aplicar uma média de quadros para determinar quais áreas da imagem estão em movimento. Valores mais baixos omitem mais da imagem para a RR temporal ao considerar movimentos mais sutis. Valores mais altos aplicam RR temporal à mais da imagem ao exigir movimentação mais rápida para exclusão. É possível escolher entre 0 e 100, onde 0 não aplica RR temporal a nenhum pixel e 100 aplica RR temporal a todos os pixels. O valor padrão é 50, que é uma escolha adequada para muitos clipes. Esteja ciente de que se você configurar uma estimativa de movimento elevada demais, poderá encontrar artefatos nas áreas em movimento da imagem.

Mistura

Permite fazer a dissolução entre a imagem sendo afetada pelos parâmetros de RR temporal (a 0.0) e a imagem sem qualquer redução de ruído (100.0). Este parâmetro permite ajustar facilmente a diferença ao utilizar uma redução de ruído temporal agressiva.

Controles de RR Espacial

Os controles de redução de ruído espacial permitem suavizar regiões de ruído de alta frequência em toda a imagem, ao mesmo tempo que tentam evitar a suavização, preservando os detalhes. Isso é efetivo para reduzir ruídos que a RR temporal não consegue.

Modo

O menu “Modo” permite que você alterne a RR espacial entre três algoritmos diferentes. Todos os três modos de operação usam os mesmos controles, portanto você pode alternar entre os modos usando as mesmas configurações para comparar os resultados.

Acelerado

Utiliza um método computacionalmente leve de redução de ruído que é eficaz em configurações mais baixas, mas pode produzir artefatos quando aplicado em valores mais altos.

Superior

Alterna os controles de RR espacial para usarem um algoritmo de qualidade mais alta que produz resultados vastamente superiores, às custas de um processamento intensivo na renderização, além de não permitir que você desvincule os deslizadores de limite luma e croma para realizar ajustes individuais a cada componente de cor.

Avançado

Realiza um trabalho consideravelmente melhor na preservação da nitidez e dos detalhes da imagem ao elevar os deslizadores de limite espacial para eliminar ruído. Essa melhoria é particularmente evidente quando os deslizadores de limite espacial são definidos em valores elevados. O que constitui “elevados” varia dependendo da imagem com a qual você estiver trabalhando. Em valores mais baixos, a melhoria pode ser mais sutil quando comparada ao modo “Superior”, que é menos intenso para o processador do que a configuração “Avançado”, que exige maior poder de processamento. Além disso, “Avançado” permite desvincular os deslizadores de limite luma e croma para que você possa adicionar diferentes quantidades de redução de ruído a cada componente de cor, de acordo com a necessidade da imagem.

Raio

As opções incluem “Grande”, “Médio” e “Pequeno”. Um raio menor oferece melhor desempenho em tempo real e pode oferecer uma boa qualidade ao utilizar valores limite baixos para luma e croma. Contudo, pode ser que você perceba mais serrilhamento nas regiões de detalhe usando valores baixos para o limite de RR.

Configurar “Raio” para ser progressivamente maior resulta em qualidade superior dentro de áreas com mais detalhes visuais a valores limite mais altos para limites croma e luma, às custas de um desempenho mais lento. Um raio de RR “Médio” deve oferecer qualidade adequada para a maioria das imagens ao usar as configurações de limite de RR. Como acontece com muitas operações, há um equilíbrio ajustável entre qualidade e velocidade.

Controles de Limite Espacial

Os parâmetros de limite espacial permitem que você controle quais características da imagem sofrerão mais ou menos redução de ruído.

Luma

Permite que você determine a quantidade de redução de ruído que será aplicada ao componente luma da imagem. O intervalo é de 0-100, onde 0 não aplica qualquer redução de ruído e 100 aplica a quantidade máxima. Uma configuração elevada demais pode eliminar os detalhes finos da imagem.

Croma

Permite que você determine a quantidade de redução de ruído que será aplicada ao componente croma da imagem ao suavizar áreas de alta frequência e, ao mesmo tempo, tentando preservar a nitidez dos detalhes significantes da borda. O intervalo é de 0-100, onde 0 não aplica qualquer redução de ruído e 100 aplica a quantidade máxima. Uma configuração elevada demais pode eliminar os detalhes finos coloridos da imagem, embora seja possível considerar que você pode aumentar mais o “Limite Croma” do que o “Limite Luma” com menos artefatos perceptíveis.

Coligar Luma Croma

Normalmente, os parâmetros de limite luma e croma são coligados para que o ajuste de um ajuste ambos. Contudo, você pode separar esses parâmetros para ajustar quantidades diferentes da redução de ruído para cada componente da imagem. Por exemplo, se uma imagem é amenizada demais com um certo nível de redução de ruído, mas você percebe que há mais pontilhamento de cores do que ruído luma, você pode reduzir o limite luma para manter os detalhes, ao mesmo tempo que aumenta o limite croma para eliminar o ruído das cores.

Mistura

Permite fazer a dissolução entre a imagem sendo afetada pelos parâmetros de RR espacial (a 0.0) e a imagem sem qualquer redução de ruído (100.0). Este parâmetro permite ajustar facilmente a diferença ao utilizar uma redução de ruído temporal agressiva.

Mistura Global

Mistura

Permite que você faça a dissolução entre a imagem sem redução de ruído a 1.0 e a imagem com RR espacial e RR temporal em suas configurações atuais a 0.0.

Usando Redução de Ruído

O procedimento a seguir sugere um método de utilização dos parâmetros de redução de ruído para alcançar um resultado controlado.

Como aplicar redução de ruído a uma imagem:

- 1** Habilite a RR temporal ao escolher entre 1 e 5 quadros no menu “Quantidade de Quadro”. Lembre-se de que mais quadros aumentam a duração da renderização deste efeito consideravelmente, embora possa ou não aprimorar significativamente o resultado, dependendo do seu material.
- 2** Escolha as opções dos menus “Estimativa” e “Intervalo de Movimento” correspondendo a quanto movimento há na imagem. Se há muito movimento, talvez seja necessário selecionar “Superior” e “Maior”. Se não há muito movimento, configurações menores serão suficientes.
- 3** Com os limites luma e croma interligados, aumente lentamente cada parâmetro até que comece a ver um pouco da redução do ruído dentro das áreas sem movimento da imagem. Depois, faça ajustes menores para determinar a quantidade máxima de RR temporal que você pode aplicar sem criar artefatos de movimento ou suavizar excessivamente os detalhes da imagem.
- 4** Caso haja obviamente mais ruído croma que luma na imagem, você pode desabilitar a coligação de luma/croma para um nível satisfatório de redução de ruído luma e, depois, aumentar o limite croma para aplicar RR temporal mais agressiva para corrigir o pontilhamento de cores na imagem.
- 5** Caso não esteja satisfeito com a conciliação entre o limite máximo de redução de ruído possível e o impedimento de artefatos de movimento, pode ser que você queira ajustar a configuração de limite de movimento, reduzindo-a para omitir mais do movimento para a operação de redução de ruído, ou aumentá-la para incluir mais do movimento. Se você ainda não estiver satisfeito, você pode tentar melhores configurações de “Estimativa” e “Intervalo de Movimento”.

Lembre-se que o forte da RR temporal é reduzir ruído em partes sem movimento da imagem. Quando você tiver alcançado o melhor compromisso entre a redução de ruído nas áreas estáticas e a prevenção de artefatos de movimento nas áreas móveis da imagem, então é hora de habilitar a RR espacial para eliminar mais ruído do resto da imagem.
- 6** Habilite RR espacial ao aumentar tanto os parâmetros de limite luma ou croma, que são interligados por padrão, até que você estabeleça um equilíbrio adequado entre a redução de ruído e um aumento indesejado na suavização da imagem.

- 7 É recomendado selecionar a opção “Superior” a partir do menu pop-up “RR Espacial”, já que ela renderá os melhores resultados possíveis. Todavia, isto pode ser bastante intensivo para o processador, portanto caso precise de melhor desempenho em tempo real, você pode trocar o modo para “Acelerado” e comparar os resultados.
- 8 Caso haja obviamente mais ruído croma que luma na imagem, você pode desabilitar a coligação de luma/croma para um nível satisfatório de redução de ruído luma e, depois, aumentar o limite croma para aplicar RR espacial mais agressiva para corrigir o pontilhamento de cores na imagem.
- 9 Se você teve que usar um limite alto para a configuração de RR espacial de luma ou croma, e as áreas de detalhe aparentem estar um pouco corpulentas ou serrilhadas, você pode selecionar uma configuração maior no menu “Raio” para habilitar uma análise detalhada da cena.

Isso resultará numa qualidade visual mais alta, mas configurações de raio maiores para a RR são mais intensivas para o processador e podem reduzir o desempenho em tempo real caso você não possua recursos GPU adequados disponíveis para o seu sistema.
- 10 Se você encontrou configurações adequadas de redução de ruído, mas o resultado está muito agressivo e faz com que a imagem pareça muito processada, você pode tentar aumentar os parâmetros de mistura de redução de ruído espacial e/ou temporal para suavizar entre a redução de ruído adicionada por cada conjunto de controles e a imagem original antes da inclusão da redução de ruído.

Experimente Aplicar RR Temporal Primeiro e Depois Aplicar RR Espacial

Devido à análise de múltiplos quadros feita pela RR temporal para isolar o ruído, ela tende a preservar com mais precisão os detalhes em regiões da imagem onde há pouco movimento. Se você aplicar primeiro a redução de ruído temporal e conseguir um bom resultado, mesmo que apenas em parte da imagem, poderá reduzir a quantidade de redução de ruído espacial necessária, melhorando assim a qualidade geral do resultado final.

É importante notar que enquanto a RR temporal faz um excelente trabalho em partes estáticas da imagem, ela é menos eficaz ao lidar com objetos em movimento. Por outro lado, a RR espacial pode reduzir o ruído em qualquer parte do quadro que esteja abaixo do seu limite, mesmo quando há movimento. Em última análise, uma combinação de ambos os recursos é quase sempre a melhor opção.

Raio da RR Espacial: Qual é o Tamanho Ideal?

Configurações de raio maiores podem melhorar significativamente a qualidade das áreas de alto detalhamento em imagens onde você estiver usando uma redução de ruídos espacial agressiva, mas não é sempre necessário optar pela configuração de raio “Grande”, que oferece a maior precisão. Em muitos casos, ao avaliar uma imagem na qual você está aplicando redução de ruído, você pode não perceber a qualidade adicional. Portanto, acabará desperdiçando tempo de processamento em uma correção desnecessária.

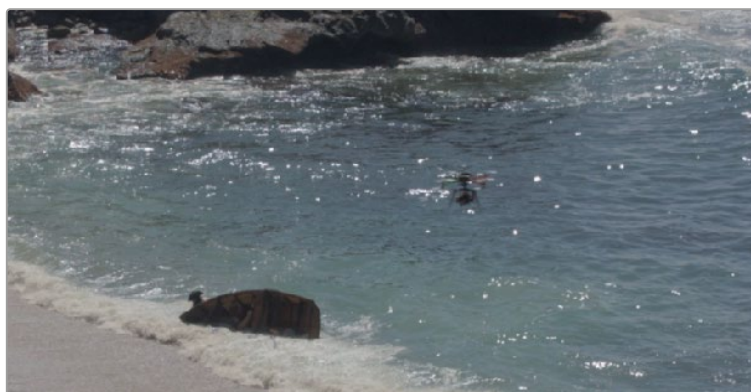
É uma boa prática avaliar a imagem em tela cheia em um monitor grande o suficiente para visualizar o ruído em que estiver trabalhando no contexto visual do público-alvo. Ampliar o zoom excessivamente ao aplicar a redução de ruído pode induzir a utilizar configurações de qualidade mais altas do que o necessário, já que com os detalhes excessivamente ampliados da imagem, você pode enxergar mudanças sutis que não seriam visíveis em tamanho real.

Remoção de Objeto

O plug-in de remoção de objeto é melhor utilizado na página Cor. Ele usa o DaVinci Neural Engine para tentar remover um objeto no quadro do jeito mais automático possível. Este plug-in funciona melhor ao remover um objeto em movimento que passa por um fundo temporariamente estável, ou sujeira na lente em um plano onde a câmera está em movimento. Objetos menores obtêm resultados melhores do que objetos maiores, mas os resultados dependem muito da filmagem. Aqui está um procedimento simples que mostra como fazer isso.

Como remover um objeto em movimento de um clipe:

- 1 Neste exemplo, um drone está sobrevoando um plano geral que está sendo gravado simultaneamente. Eliminaremos o drone usando uma janela para identificar o elemento a ser removido usando o plug-in de remoção de objeto.



Plano de imagem original com um drone que precisa ser removido.

Em casos simples, muitas vezes é mais fácil aplicar o efeito de remoção de objeto a um nó corretor, assim você pode usar uma janela ou qualificador dentro desse nó para isolar o elemento que deseja remover. Isso é o que vamos fazer neste exemplo.

- 2 Utilize a paleta “Janela” para desenhar uma janela em torno do objeto que precisa ser removido. Você obterá melhores resultados utilizando janelas ou máscaras que envolvam o objeto bem de perto.
- 3 Use rastreamento ou quadros-chave na janela para que ela acompanhe o elemento que você está removendo. Mais uma vez, quanto mais de perto sua janela envolver o objeto, melhor será o resultado. Além disso, é recomendável incluir um pouco de suavidade na borda desta janela.



O objeto que precisa ser removido é isolado com uma janela.

- 4 Arraste e solte o plug-in de remoção de objeto sobre o nó no qual você acabou de isolar o elemento a ser removido.

- 5 A opção “Usar Alfa OFX” será ativada automaticamente no menu contextual do nó para permitir que o plug-in de remoção de objeto utilize qualquer chave criada dentro desse nó para executar seu trabalho.
- 6 Clique no botão “Análise de Cena” e aguarde o término do análise. Caso o objeto a ser removido esteja se movendo mas a câmera esteja fixa, você pode habilitar a opção “Presumir que não há movimento” para obter resultados superiores.

Caso sua filmagem seja ideal para remoção de objeto, o objeto desaparecerá assim que a análise for concluída, substituído por um fundo perfeito derivado de detalhes encontrados em quadros vizinhos.

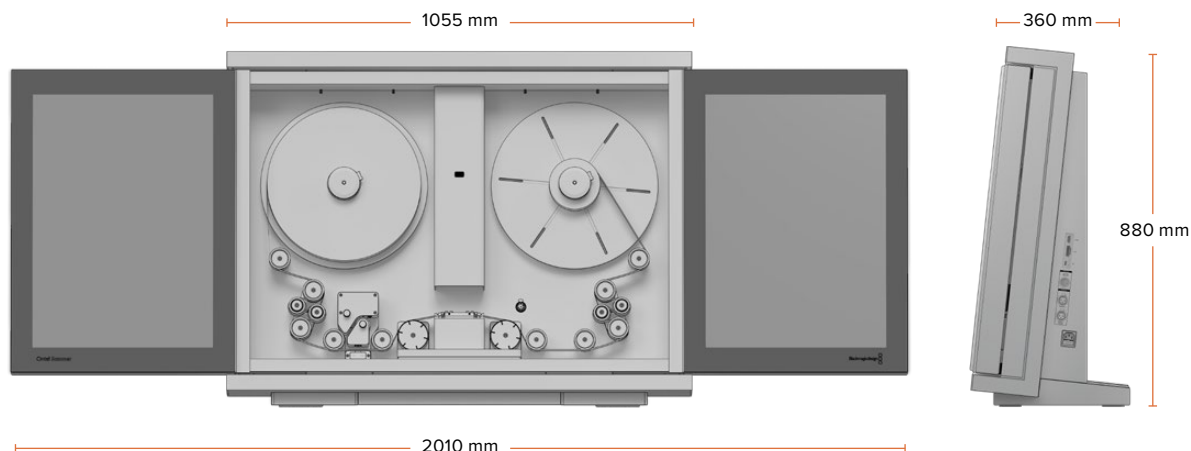


Resultado ao final da análise de remoção de objeto.

O plug-in de remoção de objeto é altamente dependente das imagens, e nem sempre você obterá um resultado tão bom com tanta facilidade. Os problemas com o resultado são exibidos na cor cinza, seja com cinza distorcido ou cinza sólido preenchendo a janela de substituição. O cinza mostra onde as configurações atuais não estão sendo capazes de encontrar conteúdo de fundo com o qual preencher a correção que você está removendo. Se isso acontecer, há duas coisas que você pode tentar.

- Ao reproduzir o resultado analisado, caso perceba que a máscara de remoção de objeto apresenta cinza distorcido em alguns quadros, você pode tentar ajustar o deslizador “Intervalo de Pesquisa”. Este controle determina a distância, em quadros, a partir do quadro atual, que o plugin de remoção de objeto utiliza para buscar detalhes de imagem para substituição. Por exemplo, se o alcance de pesquisa for 20, ele busca +/-20 quadros a partir da localização atual, ou um total de 40 quadros. A margem de 10 quadros significa que examinamos cada 4º quadro. Normalmente, é melhor optar pelo menor intervalo que produza um resultado aceitável.
- Se você perceber que a máscara de remoção de objeto está completamente preenchida com cinza em alguns quadros, isso significa que o preenchimento de fundo não pôde ser gerado facilmente para esses quadros. Neste caso, você pode tentar clicar no botão “Criar Fundo Limpo”, que adota uma abordagem de “melhor estimativa” para gerar um fundo com o qual preencher o quadro e o integra aos quadros que puderam ser preenchidos com sucesso.
- Se a correção for preenchida com sucesso, mas o resultado não estiver se misturando bem com o fundo, você pode tentar alterar o modo de mistura. O padrão é “Linear”, que é uma operação de clonagem simples, mas você também pode escolher “Mistura Adaptativa”, que pode fornecer melhores resultados, exceto em situações em que as bordas da correção de substituição tenham uma cor ou brilho diferente do plano de fundo.
- O menu “Modo Cena” fornece diferentes métodos de análise de cena para melhorar a análise do movimento da área que precisa ser substituída e determinar a melhor maneira de preencher o espaço deixado pelo objeto que será removido. “Segundo Plano” analisa a imagem inteira, exceto a área do objeto. “Limite” analisa a região examina a região ao redor da área do objeto. “Objeto” analisa um objeto que se desloca com o plano de fundo, como um adesivo colado em uma janela enquanto a câmera se movimenta.

Especificações



Peso: 60 kg (132 lb) descarregado.

Dimensões montado em parede: Altura - 785 mm, Profundidade - 265 mm.

Recursos do Digitalizador

Tipos de Filme

- Positivo, Negativo, Interpositivo, Internegativo.
- Mono e Colorido.

Bitolas

- 35 mm:
2, 3, 4 perfurações
- Super 35 mm:
2, 3, 4 perfurações
- 16 mm
- Super 16 mm
- 8 mm
- Super 8 mm

Resolução Nativa

4096 x 3072

Resoluções Efetivas¹

- 3840 x 2880 - Super 35
- 3390 x 2465 - 35 Padrão
- 3390 x 2865 - 35 Anamórfico
- 1903 x 1143 - Super 16
- 1581 x 1154 - 16 Padrão
- 892 x 638 - Super 8
- 752 x 567 - 8 Padrão

Áudio

Extração a partir da imagem digitalizada.

Formatos HDMI

3840 x 2160 Ultra HD ou 1920 x 1080 HD, selecionados automaticamente para corresponder à resolução do monitor.

Redução de Poeira e Arranhões

- Fonte de luz difusa
- Roletes limpadores

Opções de Montagem

- Montagem em mesa
- Montagem em parede

Faixa Dinâmica

- Digitalizações normais:
12 stops
- Digitalizações HDR:
até 3,5 stops adicionais.

Recursos de Transporte

Movimento Contínuo

Velocidade de Funcionamento

1 - 30 fps

Avançar e Voltar (Modo Shuttle)

1 - 100 fps (35 mm)

1 - 200 fps (16 mm)

Tolerância de Encolhimento do Filme

Até 2% garantido. Valores mais altos podem ser obtidos caso o dispositivo seja utilizado com cuidado.

Aceleração

5 - 30 fps/s

Capacidade

609m (35 mm)

Conexões

Saída de Vídeo HDMI

1 x HDMI 1.4 em 4:2:2 de 10 bits somente para pré-visualização.

Interface de Opções

XLR6.

Interface do Computador²

- Thunderbolt™ 3 para captura de imagem e áudio, atualizações de software e compatível com carregamento USB-C de 15 W a 5 V.
- PCI Express de 2 geração e 4 vias.

Saída de Código de Tempo/Bifásica³

- Bifásica de 4,5 V DC acoplada.
- Código de tempo de 1,5 V DC acoplada.
- Compatibilidade com código de tempo para 24, 25 e 30 fps.

Entradas de Áudio Analógico

2 canais de áudio analógico balanceado com conversor de taxa de amostragem via conectores XLR com níveis 10 dBV.

Entrada de Áudio AES/EBU

2 canais com conversor de taxa de amostragem no conector XLR.

¹ Resolução apenas da área da imagem recortada.

² Cintel Scanner possui apenas uma porta Thunderbolt 2.

³ Cintel Scanner 2 ou mais recente.

Requisitos de Potência

Faixa de Voltagem

90 - 240 V AC

Energia

200 W

Fusível

T5AL' 20 mm

Condições Ideais do Filme

Temperatura Operacional

18 - 28 °C

Umidade Relativa

Máximo 65% sem condensação.

Sistemas Operacionais

Mac, Windows e Linux.

Acessórios

- Cintel Audio and KeyKode Reader
- Cintel Scanner 16 mm Gate HDR
- Cintel Scanner 8 mm Gate HDR

- Cintel Scanner 35 mm Gate HDR
- Cintel Cleaning Roller Kit

- Blackmagic PCI Express Cable Kit

Audio and KeyCode Reader

Equalização

Áudio óptico SMPTE,
áudio magnético IEC.

Velocidades de Digitalização de KeyCode Compatíveis

Todas as velocidades do digitalizador.

Tipo de LED

Áudio óptico e KeyCode vermelho profundo.

Velocidades de Digitalização de Áudio Compatíveis

Taxa de quadro
6 fps-125% selecionada.

Exemplo: uma taxa de quadro de 24 fps terá uma velocidade máxima de digitalização de 30 fps e filmes de 16 mm têm um limite inferior de 12 fps.

Tipos de Áudio Óptico Compatíveis

- Área Variável
- Densidade Variável

Taxa de Amostragem de Áudio e Profundidade de Bits

Arquivo WAV PCM
de 24 bits/48 kHz.

Áudio Óptico de 35 mm

Largura de Banda

40 Hz - 16 kHz +-2 dB

Relação Sinal-Ruído (SNR)⁴

Base de filme transparente
-65 dB

Uau e Tremolo⁵

< 0,15%

Áudio Óptico de 16 mm

Largura de Banda

40 Hz - 7 kHz +-2 dB

Relação Sinal-Ruído (SNR)⁴

Base de filme transparente
-65 dB

Uau e Tremolo⁵

< 0,3%

Faixa Magnética de 16 mm Perfuração Única

Ajuste de Tensão

15 gramas.

Largura de Banda⁶

32 Hz - 14 kHz +-2 dB

Relação Sinal-Ruído (SNR)⁴

-55 dB

Uau e Tremolo⁵

< 0,3%

Nível de Modulação Máximo

-18 dBFS

Nível de Fone de Ouvido⁷

-18 dBu com carga de 50 Ω

Conexão de Áudio

XLR6.

Interface do Computador

USB-C para atualizações de software.

Consumo de Energia

10 W a 12 V DC.

Dimensões

Altura: 156 mm

Largura: 92 mm

Profundidade: 106 mm

Peso: 1,35 kg.

⁴ A relação sinal-ruído (SnR) é medida com ponderação plana.

⁵ Uau e Tremolo são medidos com ponderação IEC 386.

⁶ Teoricamente, a largura de banda do áudio magnético é de 20-20 kHz por design, mas não há material de teste disponível para quantificá-la.

⁷ A saída de fone de ouvido é destinada apenas para fins de monitoramento.

Informações Regulatórias



Eliminação de resíduos de equipamentos elétricos e eletrônicos dentro da União Europeia

O símbolo no produto indica que este equipamento não pode ser eliminado com outros materiais residuais. Para descartar seus resíduos de equipamento, ele deve ser entregue a um ponto de coleta designado para reciclagem. A coleta separada e a reciclagem dos seus resíduos de equipamento no momento da eliminação ajudarão a preservar os recursos naturais e a garantir que sejam reciclados de uma maneira que proteja a saúde humana e o meio ambiente. Para mais informações sobre onde você pode eliminar os resíduos do seu equipamento para reciclagem, por favor entre em contato com a agência de reciclagem local da sua cidade ou o revendedor do produto adquirido.



Este equipamento foi testado e respeita os limites para um dispositivo digital Classe A, conforme a Parte 15 das normas da FCC. Esses limites foram criados para fornecer proteção razoável contra interferências nocivas quando o equipamento é operado em um ambiente comercial. Este equipamento gera, usa e pode irradiar energia de radiofrequência e, se não for instalado ou usado de acordo com as instruções, poderá causar interferências nocivas nas comunicações via rádio. A operação deste produto em uma área residencial pode causar interferência nociva, nesse caso o usuário será solicitado a corrigir a interferência às suas próprias custas.

A operação está sujeita às duas condições a seguir:

- 1 Este dispositivo não poderá causar interferência nociva.
- 2 Este dispositivo deve aceitar qualquer interferência recebida, incluindo interferência que possa causar uma operação indesejada.



R- REM-BMD-201805001



Norma Canadense ISED

Este dispositivo está em conformidade com os padrões do Canadá para equipamentos digitais de Classe A.

Quaisquer modificações ou utilização deste produto fora dos limites previstos poderão anular a conformidade com estas normas.

A conexão com interfaces HDMI deve ser feita com cabos HDMI protegidos.

Este equipamento foi testado para fins de cumprimento com a sua utilização pretendida em um ambiente comercial. Se o equipamento for usado em um ambiente doméstico, ele poderá causar interferência radioelétrica.

Informações de Segurança

Para proteção contra choque elétrico, o equipamento deve estar conectado à uma tomada com conexão de aterramento de proteção. Em caso de dúvida, consulte um eletricitista qualificado.

Para reduzir o risco de choque elétrico, não exponha este equipamento a pingos ou respingos.

O produto é adequado para uso em locais tropicais com temperatura ambiente de até 40 °C. Observe, contudo, que as condições ideais para películas estão entre 18 e 28 graus Celsius.

Certifique-se de que ventilação adequada seja fornecida ao redor do produto e não esteja restringida.

Não há componentes em seu interior reparáveis pelo operador. Solicite o serviço de manutenção à assistência técnica local da Blackmagic Design.



Utilize apenas em altitudes inferiores a 2000 m acima do nível do mar.



ADVERTÊNCIA

O Cintel Scanner pesa até 70 quilos, ou 155 libras, quando carregado com filme. Isto é consideravelmente mais pesado que um televisor de tela grande. Caso não tenha certeza da capacidade estrutural da parede ou mesa apoiando o peso total do digitalizador e o filme carregado, você deve consultar um engenheiro qualificado para analisar corretamente a montagem e garantir sua segurança. A instalação incorreta resultará na queda do digitalizador, o que pode causar ferimentos graves ou morte.

Montagem em Mesa

Ao montar o digitalizador em mesa e, especialmente, ao trabalhar debaixo do digitalizador para instalar os parafusos da montagem, certifique-se de que a sua superfície de trabalho seja plana e estável. Suportes de montagem e acessórios devem possuir robustez suficiente para suportar o peso do digitalizador com segurança. Se a sua superfície de trabalho não for capaz de suportar o peso do digitalizador, ou perder a robustez com o passar do tempo, seu digitalizador poderá cair, possivelmente causando lesões corporais graves.

Montagem em Parede

Ao montar o digitalizador em uma parede, certifique-se de que o local de instalação seja suficientemente robusto para utilização prolongada. Se a robustez se tornar insuficiente com o uso a longo prazo, o digitalizador poderá cair, possivelmente causando ferimentos. Não instale em locais incapazes de suportar seu peso. Suportes de montagem e acessórios devem possuir robustez suficiente para suportar o peso do digitalizador com segurança. Se a robustez da instalação for insuficiente, o digitalizador poderá cair, podendo provocar ferimentos pessoais.

A montagem em mesa ou parede DEVE ser feita por mais de uma pessoa. Não tente fazer a instalação sozinho.

Operação

A interação do usuário é necessária para operar o digitalizador, e o processo de carregamento do filme é essencialmente manual. É importante estar ciente de que as partes móveis podem ser perigosas. Lembre-se de manter os dedos e outras partes do corpo longe do digitalizador durante a digitalização de filmes.

Declaração do Estado da Califórnia

Este produto pode expô-lo a produtos químicos, tais como vestígios de bifenilos polibromados dentro de peças de plástico, que é conhecido no estado da Califórnia por causar câncer e defeitos congênitos ou outros danos reprodutivos.

Para mais informações, visite www.P65Warnings.ca.gov.

Aviso para Pessoal de Assistência Autorizado



Desconecte a alimentação de ambas as entradas de alimentação antes de efetuar operações de assistência!

Ajuda

A maneira mais rápida de obter ajuda é visitando as páginas de suporte online da Blackmagic Design e consultando os materiais de suporte mais recentes disponíveis para o seu Cintel Scanner.

Central de Suporte Técnico Online Blackmagic Design

O manual, o programa e as notas de suporte mais recentes podem ser encontrados na Central de Suporte Técnico da Blackmagic Design em www.blackmagicdesign.com/br/support.

Fórum Blackmagic Design

O fórum da Blackmagic Design no nosso site é um recurso útil que você pode acessar para obter mais informações e ideias criativas. Também pode ser uma maneira mais rápida de obter ajuda, pois já podem existir respostas de outros usuários experientes e da equipe da Blackmagic Design, o que o ajudará a seguir em frente. Você pode visitar o fórum em <https://forum.blackmagicdesign.com>

Contactando o Suporte Blackmagic Design

Caso não encontre a ajuda que precisa no nosso material de suporte ou no fórum, por favor use o botão “Envie-nos um email” na página de suporte para nos encaminhar uma solicitação de suporte. Como alternativa, clique no botão “Encontre sua equipe de suporte local” na página de suporte e ligue para a sua assistência técnica da Blackmagic Design mais próxima.

Verificando a Versão de Software Instalada

Para verificar qual versão do DaVinci Resolve está instalada no seu computador Mac, Windows ou Linux, abra o DaVinci Resolve. Sob o menu “DaVinci Resolve”, clique no cabeçalho de menu “Sobre o DaVinci Resolve” para visualizar o número da versão do software.

Para verificar qual versão do software Cintel Scanner está instalada no seu computador Mac, Windows ou Linux, abra o utilitário Cintel Setup. Navegue até a aba “About” para visualizar o número da versão do software.

Como Obter as Atualizações Mais Recentes

Após verificar as versões dos aplicativos DaVinci Resolve e Cintel Scanner instaladas no seu computador, acesse a Central de Suporte Técnico da Blackmagic Design em www.blackmagicdesign.com/br/support para conferir as últimas atualizações. Embora seja aconselhável executar as atualizações mais recentes, você deve evitar atualizar aplicativos caso esteja no meio de um projeto.

Criando um Relatório de Status

O aplicativo Cintel Scanner permite que você crie um relatório de status que pode ser enviado à Central de Suporte Técnico para ajudá-los a diagnosticar e solucionar problemas. Caso possua um Audio and KeyKode Reader encaixado, você pode gerar um relatório de status para ele.

Para criar um relatório de status, execute o utilitário Cintel Setup, clique no botão de configurações e navegue até a aba “About”. Na seção “Device Information”, clique em “Create”. Isto gera um arquivo HTML para que você possa facilmente ler o status tanto do Cintel Scanner quanto do Audio and KeyKode Reader.

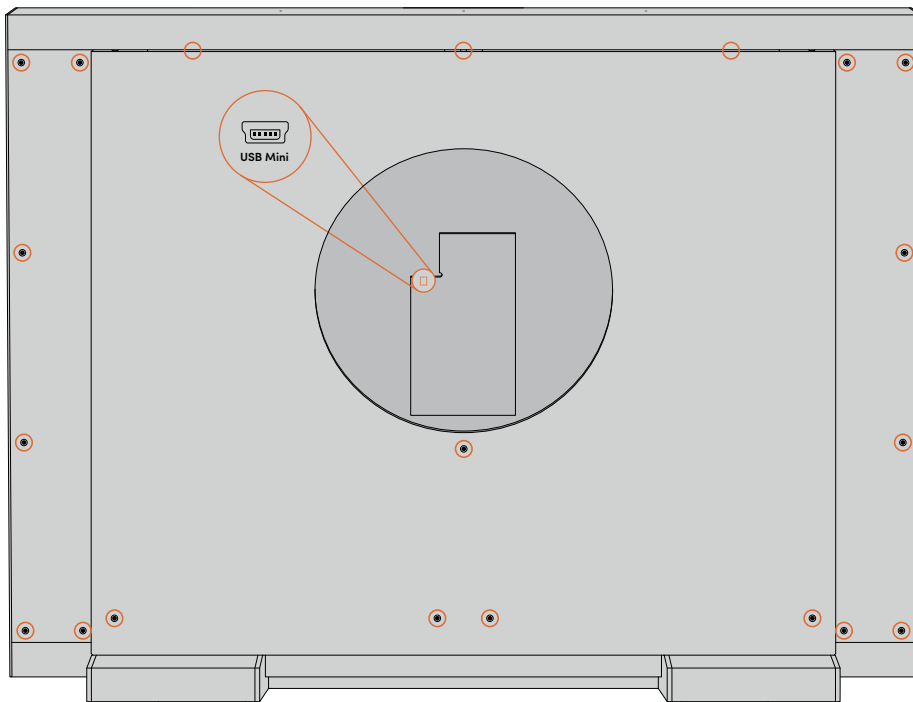
Recuperação por USB

No caso improvável de uma atualização ser interrompida, ou se você encontrou uma falha durante o processo de atualização e seu Cintel Scanner parou de responder, você pode conectar seu computador a uma porta USB dedicada para recuperação por USB.

É possível confirmar que a recuperação por USB está disponível ao ligar seu Cintel Scanner e verificar que o LED de status ao lado da porta Thunderbolt está aceso em verde. Se o LED estiver aceso em vermelho, será necessário entrar em contato com a assistência técnica da Blackmagic Design.

- 1 Retire o painel traseiro do seu Cintel Scanner. A porta USB para a recuperação do sistema está no centro, próxima da parte superior. Ela se encontra ao lado da placa de circuito voltada para a frente do Cintel Scanner e estará visível ao olhar para a parte superior do digitalizador.

OBSERVAÇÃO Caso não tenha acesso imediato ao painel traseiro e precise deslocar seu digitalizador, certifique-se de haja duas pessoas deslocando o digitalizador e que você tenha acesso a uma plataforma robusta, pois o digitalizador é pesado. Para mais informações, consulte a seção “Desempacotando e Montando” deste manual.



Retire o painel traseiro para acessar a porta USB para a recuperação por USB.

- 2 Conecte seu computador à porta de recuperação USB usando um cabo USB miniB.

- 3 Baixe a versão mais recente do software Cintel Scanner a partir do site da Blackmagic Design. Em seguida, instale e execute o software no seu computador. O utilitário Cintel Setup detectará que o seu computador está conectado à porta USB de recuperação do seu Cintel Scanner. Clique em “Update Now”.



O software Cintel Scanner detectará que o seu computador está conectado à porta USB de recuperação do Cintel.

- 4 Depois que a atualização de recuperação estiver concluída, seu Cintel Scanner deve executar a versão mais recente do software e operar normalmente. Você pode verificar isso ao desconectar o cabo USB, conectar o cabo Thunderbolt e, depois, desligar e religar seu digitalizador.
- 5 Reencaixe o painel traseiro e reinstale seu Cintel Scanner no lugar para operação normal. Caso necessite de mais assistência, você pode sempre visitar o fórum Blackmagic Design, ou entre em contato através da Central de Suporte Técnico Blackmagic Design.

Garantia

12 Meses de Garantia Limitada

A Blackmagic Design garante que este produto estará livre de defeitos de materiais e fabricação por um período de 12 meses a partir da data de compra. Se o produto se revelar defeituoso durante este período de garantia, a Blackmagic Design, a seu critério, consertará o produto defeituoso sem cobrança pelos componentes e mão-de-obra, ou fornecerá a substituição em troca pelo produto defeituoso. Para obter o serviço sob esta garantia você, o Consumidor, deve notificar a Blackmagic Design do defeito antes da expiração do período de garantia e tomar as providências necessárias para a execução do serviço. O Consumidor é responsável pelo empacotamento e envio do produto defeituoso para um centro de assistência designado pela Blackmagic Design com os custos de envio pré-pagos. O Consumidor é responsável pelo pagamento de todos os custos de envio, seguro, taxas, impostos e quaisquer outros custos para os produtos que nos forem devolvidos por qualquer razão.

Esta garantia não se aplica a defeitos, falhas ou danos causados por uso inadequado ou manutenção e cuidado inadequado ou impróprio. A Blackmagic Design não é obrigada a fornecer serviços sob esta garantia: a) para consertar danos causados por tentativas de instalar, consertar ou fornecer assistência técnica ao produto por pessoas que não sejam representantes da Blackmagic Design, b) para consertar danos causados pela instalação inadequada ou por uso ou conexão imprópria a equipamentos não compatíveis, c) para consertar danos ou falhas causadas pelo uso de componentes ou materiais que não são da Blackmagic Design, d) para fornecer assistência técnica de um produto que foi modificado ou integrado a outros produtos quando o efeito de tal modificação ou integração aumenta o tempo ou a dificuldade da assistência técnica do serviço.

ESTA GARANTIA É FORNECIDA PELA BLACKMAGIC DESIGN NO LUGAR DE QUAISQUER OUTRAS GARANTIAS, EXPLÍCITAS OU IMPLÍCITAS. A BLACKMAGIC DESIGN E SEUS FORNECEDORES RENUNCIAM A QUAISQUER GARANTIAS IMPLÍCITAS DE COMERCIALIZAÇÃO OU DE ADEQUAÇÃO A UMA FINALIDADE ESPECÍFICA. A RESPONSABILIDADE DA BLACKMAGIC DESIGN DE REPARAR OU SUBSTITUIR PRODUTOS DEFEITUOSOS É O ÚNICO E EXCLUSIVO RECURSO FORNECIDO AO CLIENTE PARA QUAISQUER DANOS INDIRETOS, ESPECIAIS, INCIDENTAIS OU CONSEQUENTES INDEPENDENTEMENTE DE A BLACKMAGIC DESIGN OU O FORNECEDOR TEREM SIDO AVISADOS PREVIAMENTE SOBRE A POSSIBILIDADE DE TAIS DANOS. A BLACKMAGIC DESIGN NÃO É RESPONSÁVEL POR QUAISQUER USOS ILEGAIS DO EQUIPAMENTO PELO CONSUMIDOR. A BLACKMAGIC NÃO É RESPONSÁVEL POR QUAISQUER DANOS CAUSADOS PELO USO DESTE PRODUTO. O USUÁRIO DEVE OPERAR ESTE PRODUTO POR CONTA E RISCO PRÓPRIOS.

© Direitos autorais 2024 Blackmagic Design. Todos os direitos reservados. 'Blackmagic Design', 'Cintel', 'DeckLink', 'DaVinci Resolve' são marcas registradas nos EUA e em outros países. Todos os outros nomes de empresas e produtos podem ser marcas comerciais de suas respectivas empresas com as quais elas são associadas.

Nisan 2024

Kurulum ve Kullanım Kılavuzu

Blackmagicdesign

Cintel Scanner



Cintel Scanner



Hoş Geldiniz

Yeni Cintel tarayıcınızı satın aldığınız için teşekkürler!

Sabit bir başlatma-durdurma hareketi kullanarak filmi parça parça tarayan eski tarz tarayıcılara kıyasla yeni tarayıcınız gerçek zamanlı olarak film tarar, böylelikle filminizi çok daha hızlı bir şekilde dijitalle aktarabilirsiniz. Lakin, tarayıcınızın bir telesine cihazı olmadığını ve filmi video dosyası olarak aktarmadığını çünkü, Thunderbolt 3 veya PCIe üzerinden filmi doğrudan DaVinci Resolve'ye aktardığını anlamamız oldukça önemlidir. DaVinci Resolve'de, film makaralarını birleştirebilirsiniz ve yaptığınız taramaların; renk düzenlemesini yapabilir, yeniden kadrajlayabilir, gürültüyü azaltabilir ve ses dosyalarını çıkartabilirsiniz.

Tarayıcısının DaVinci Resolve ile çalıştırılması, size basit bir telecine cihazından çok daha fazla yaratıcı kontrol elde edeceğinize anlamına gelir çünkü, DaVinci Resolve'de, donanım ile mümkün olandan çok daha fazla özellik bulunur. Buna ek olarak Cintel, DaVinci Resolve sisteminin ve ana bilgisayarın GPU veya eGPU gücünden faydalandığı için, hantal ve pahalı elektronik parçalarla tarayıcının tıka basa doldurulmasına gerek yoktur.

Tarama iş akışı oldukça basittir, çünkü tek yapmanız gereken standart veya yüksek dinamik aralıklı olarak filminizi geçici RAW dosyalarına taramak ve zaman çizelgesinde film makaralarını tekrar birleştirdikten sonra; gürültü azaltma, renk derecelendirme ve yeniden kadrajlama işlemlerinin ardından, DaVinci Resolve'nin 'Deliver' isimli teslimat sayfasını kullanarak istediğiniz formatta dosyaların çıktısını alabilirsiniz.

İş akışınızı geliştirmesi için ek aksesuarlar da tasarladık. İsteğe bağlı olan Audio and KeyCode Reader ek parçası, KeyCode bilgilerini doğrudan DaVinci Resolve kliplerinize aktarmanın yanında, optik veya manyetik sesi gerçek zamandan daha hızlı tarayabilir. Bundan farklı olarak tarayıcı, sinyal akış yönündeki ses sistemlerine senkronize edilebilir.

Tarayıcınızla birlikte gelen DaVinci Resolve'nin getirdiği güçlü özellikleri kullanmak için, DaVinci Resolve'nin kullanım kılavuzunu ve kurslarını gözden geçirmeniz de önemlidir. DaVinci Resolve'nin kullanımına dair, çok iyi kullanıcılar tarafından yapılmış eğitim videoları olmasının yanı sıra, Davinci Resolve'den en iyi şekilde yararlanmanız için, üçüncü parti tedarikçilerden de yüksek kalite eğitim programları mevcuttur.

Bu kullanım kılavuzunun en güncel versiyonunu ve Cintel Scanner tarayıcınızın dahili yazılımı için güncellemeleri indirmek üzere, lütfen www.blackmagicdesign.com/tr adresindeki destek sayfamıza giderek kontrol edin.

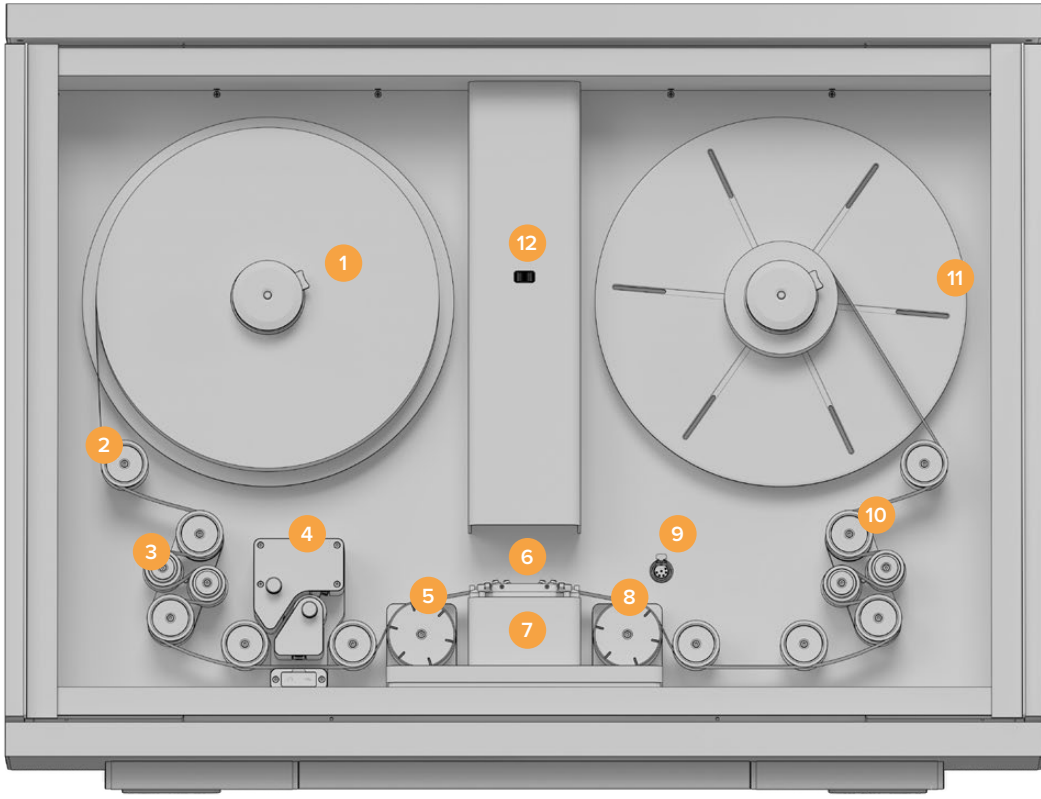
Grant Petty

CEO Blackmagic Design

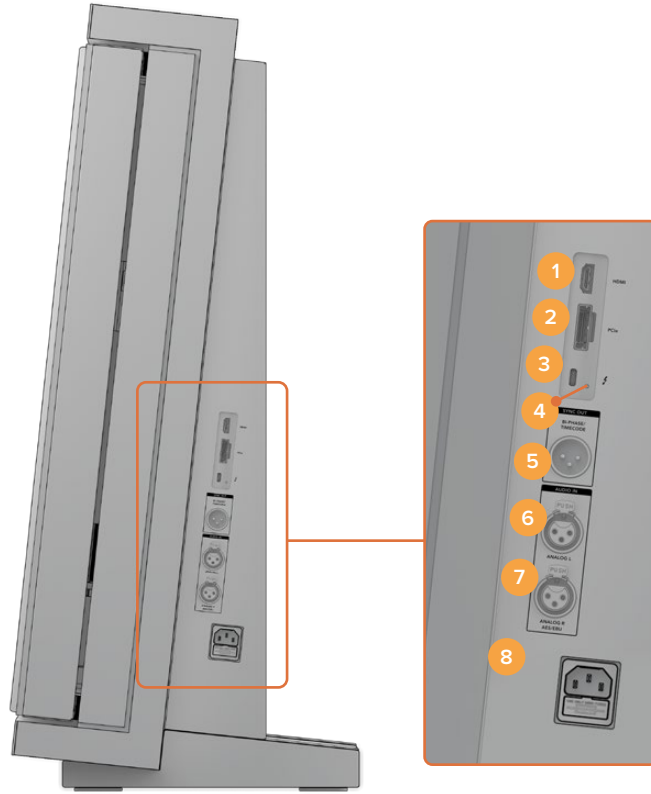
İçindekiler

Paketin Açılması ve Montajı	1327	Sesin Okunması	1370
Masa Montajı	1327	Ses Taraması için Okuyucunun Ayarlanması	1371
Duvar Montajı	1328	KeyKode Okunması	1377
Tarayıcınızı Güvenli Bir Şekilde Monte Etmeniz için Uyarı	1329	KeyKode Taraması için Okuyucunun Ayarlanması	1377
Başlarken	1330	KeyKode Metadata dahil olmak üzere DPX'e Kod Çevrimi	1378
Yazılımın Yüklenmesi	1330	Bakım	1380
Güç Kaynağının Takılması	1330	Temizleme Silindirlerinin Temizlenmesi	1380
Bir Bilgisayara Bağlama	1330	Sürücü Millerin Temizlenmesi	1380
DaVinci Resolve'nin Başlatılması	1331	Tarayıcının Tozunun Alınması	1381
Cihaz Yazılımı için Güncellemeler	1332	Audio and KeyKode Reader Silindirlerinin Temizliği	1381
Yazılım Geliştirme Kiti	1333	Audio and KeyKode Reader'deki Manyetik Kafanın Temizliği	1382
HDR Nedir?	1333	Manyetik Kafanın Yenisiyle Değiştirilmesi	1383
Sürücü Teker Tipleri	1334	Manyetik Kafa PCB Kartının Değiştirilmesi	1385
Filmin Takılması	1334	Manyetik Kafa Çalışma Süresinin Sıfırlanması	1389
Tarayıcınızın Kullanımı	1338	Kafa Hizalamasının Doğrulanması	1389
Sarış Türleri	1338	DaVinci Resolve'de Kliplerle Çalışma	1394
16mm'ye Değişim	1339	Project Manager (Proje Yöneticisi)	1394
8mm'ye Değiştirme	1341	Cut (Hızlı Kurgu) Sayfası ile Kurgu	1395
8mm Film Ölçüleri Arasında Geçiş	1342	Timeline'ye Kliplerin Eklenmesi	1398
Film Yolu Gergi Vidaları	1344	Klipleri Zaman Çizelgesinde Kurgulama	1399
Oynatım Kontrolleri	1345	Audio Trim (Ses Kırpma) Görünümü	1399
Bekleme (Standby) Modu	1346	Yazıların Eklenmesi	1400
DaVinci Resolve Kullanarak Görüntü Kaydı	1346	Blackmagic RAW Dosyalarıyla Çalışma	1401
Cintel Tarayıcı Arayüzü	1346	Renk (Color) Sayfası ile Kliplerinizin Renginin Düzeltilmesi	1405
Film Kontrolleri	1347	Bir Power Window İlave Edilmesi	1408
Işık Kaynağının Ayarlanması	1350	Eklentilerin Kullanımı	1410
Image Stabilization (Görüntü Sabitleme)	1351	Edit Sayfasında Ses Miksajı	1410
Film Protection (Film Koruma)	1354	Fairlight Sayfası	1411
Kayıt Bilgilerini ve Metaverileri Düzenleme	1354	Fusion Sayfası ile VFX Ekleme ve Görüntü Birleştirme	1416
Film Tarama İş Akışları	1356	Fusion ile Başlarken	1418
Tarayıcı Renginin Ayarlanması	1360	Kurgunuzun Master Dosyalarının Oluşturulması	1424
Filmin Bir veya Daha Fazla Bölümünün Taranması	1361	Quick Export (Hızlı Çıktı Alma)	1424
Sesin Çıkartılması	1362		
Sesi Çıkartma Ayarları	1363		
Renk Alanı ve Boyutlandırma	1365		
İsteğe Bağlı Audio and KeyKode Reader	1367		
Audio and KeyKode Reader'in Takılması	1368		

Tesimat (Deliver) Sayfası	1425	Yama Seçenekleri	1436
Otomatik Leke Giderme Özelliği	1426	Gelişmiş Kontroller	1436
Ana Kontroller	1426	Gürültü Azaltma	1437
İnce Ayar Kontrolleri	1427	Zamansal Gürültü Azaltma Kontrolleri	1437
Sıcak Piksel Tamiri	1427	Zamansal Sınır Kontrolleri	1437
Genel	1428	Spatial NR Controls (Mekansal Gürültü Azaltma Kontrolleri)	1438
Yama Türü	1429	Mekansal Sınır Kontrolleri	1439
Yama Seçenekleri	1430	Global Blend (Genel Harmanla)	1439
Gelişmiş Kontroller	1430	Gürültü Azaltma Özelliğinin Kullanımı	1440
Deflicker (Kırışma Giderme)	1431	Nesne Çıkarma	1442
Ana Parametreler	1431	Fiziki Detaylar	1444
Zamansal Gürültü Azaltma	1431	Mevzuata İlişkin Bildirimler	1447
Hız Optimizasyon Seçenekleri	1432	Güvenlik Bilgileri	1448
Kırışma Gidericiden Sonra		Yardım	1450
Orijinal Detayları Geri Getirme	1432	En Son Güncellemelere Erişim	1450
Çıkış	1433	Bir Durum Raporu Oluşturma	1450
Dust Buster (Toz Giderme) Özelliği	1433	USB Recovery (Kurtarma)	1451
Genel	1434	Garanti	1453
Yama Türü	1435		



1. Göbek kelepçesi 2. Silindir 3. Temizleme Silindiri 4. Soldaki aksesuar arabirimi ile bağlanan isteğe bağlı Audio and KeyCode Reader 5. Gergi tekeri 6. Kızak plakası 7. Işık kaynağı 8. Sürücü teker 9. Film tutma pimi genişleme portu 10. Esneklik kolu 11. Toplayıcı arka plakası 12. Netlik çarkı



1. HDMI 2. PCIe 3. Thunderbolt 3 4. Güç kaynağı durumu 5. İki-faz senkron / zaman kodu çıkışı 6. XLR3 ses girişi 1 7. XLR3 ses girişi 2 8. Güç bağlantısı

Paketin Açılması ve Montajı

Yeni Cintel tarayıcınızı güle güle kullanın!

Tarayıcınızı kullanmaya başlamadan önce yapılması gereken ilk iş, paketinizi açmak ve tarayıcınızı sağlam bir zemine veya duvara güvenli bir şekilde monte etmektir. Montaj delikleri, bir masaya monte edilirken ekstra sağlamlık için tarayıcınızın tabanındaki ayakların altında bulunur. Ayrıca, özel bir duvar montaj düzeneğine sıkıca monte edebilmemiz için, arka panelde de montaj delikleri bulunur.

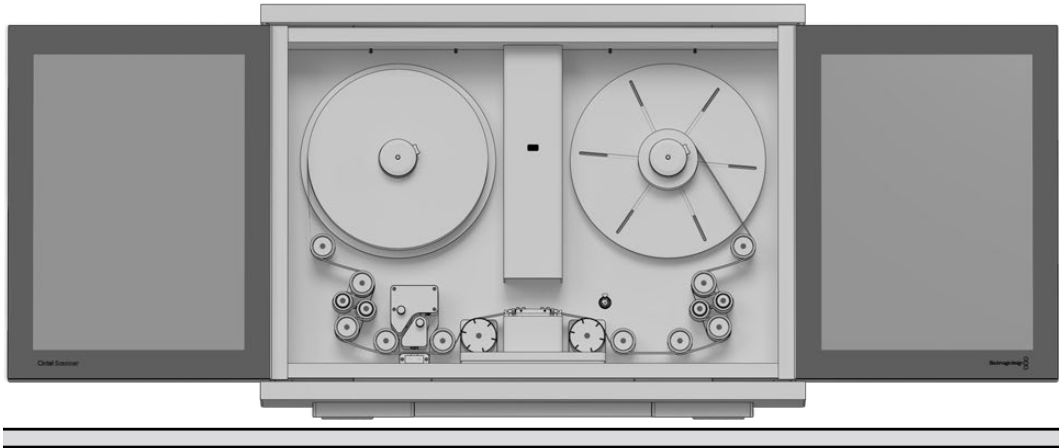
Tarayıcınızın taşıma kasasını açtıktan sonra, tarayıcıyı sıkıca tutabilmeniz için, strafor dolguda boşluklar bırakılmıştır.

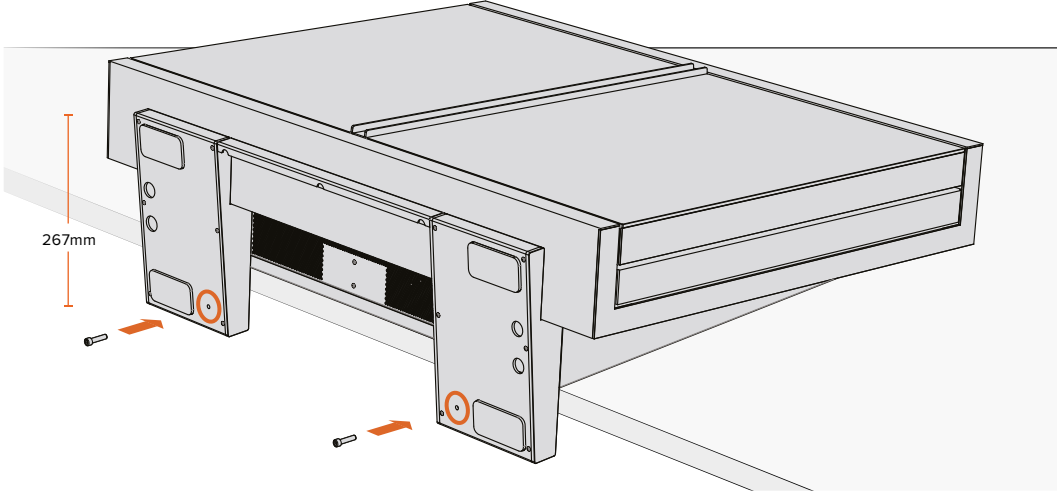
Lütfen Cintel'in ağırlığının 60kg veya 130 libre üzerinde olduğunu ve tek kişi tarafından ambalajından çıkarılmayacak kadar ağır olduğunu unutmayın. Tüm kaldırma işlerinin dizleri kırarak, sırtı düz tutarak, dikkatli ve kontrollü hareketlerle kaldırmak gibi doğru tekniklerle 2 kişi tarafından yapıldığından emin olun.

Tarayıcınızı taşıma kasasından yavaşça çıkarır çıkarmaz, ağırlığını taşıyabilecek düz ve sağlam bir yüzeye dik olarak koyunuz.

Masa Montajı

Ekstra sağlamlık için, tarayıcınızın ayaklarındaki montaj deliklerini kullanarak, tarayıcınızı çalışma tezgahınıza sıkıca monte edebilirsiniz. Bunu yapmak için, masanıza veya çalışma tezgahınıza matkapla 2 adet delik açmanız gerekecek, böylelikle iki adet M6 emniyet civatasını, tarayıcınızın ayakları altındaki montaj deliklerine vidalayabilirsiniz. Bu işlem, tarayıcınızı zemine sıkıca tutturacak ve hareket etmesini önleyecektir.





Masaya monte edildiğinde, M6 emniyet civatalarını tarayıcının ayaklarına vidalayarak tarayıcınızı çalışma tezgahınıza sıkıca tutturabilirsiniz.

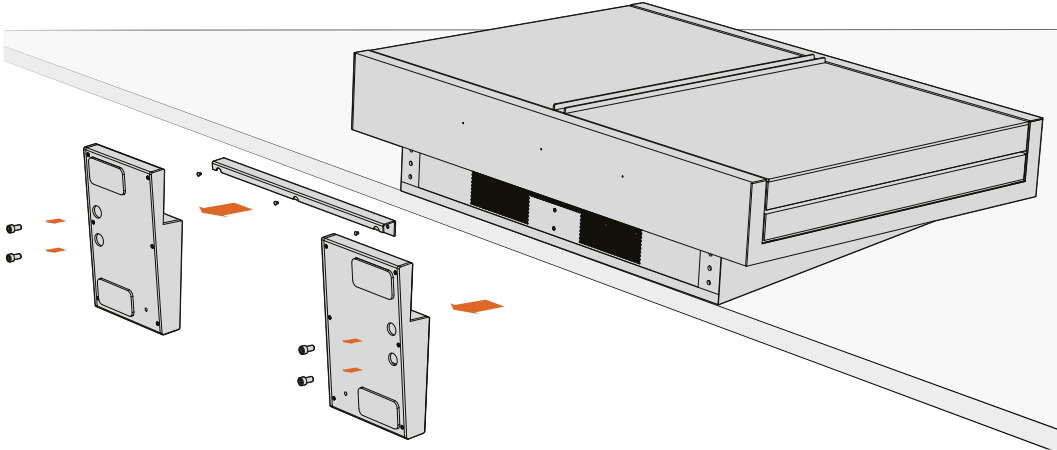
NOT Güvenliğiniz bizim için önemlidir ve Cintel tarayıcınızı monte etmeden önce, bir sonraki sayfadaki uyarı bilgilerini okumanızı şiddetle tavsiye ederiz.

Duvar Montajı

Cintel'in zarif endüstriyel tasarımı ve derinliğinin az olması, duvar montajı için onu ideal kılar.

Duvar montajından önce ilk yapmanız gereken, tarayıcının tabanından ayakları ve destek çubuğunu çıkarmaktır.

- 1 Tarayıcınızı, ağırlığını taşıyabilecek sağlam ve sabit bir zemin üzerine, ayakları kenardan taşacak ve ön kısmı yukarı bakacak şekilde yerleştirin.
- 2 6mm'lik bir alyan anahtarı ile iki M8 vidasını her iki ayaktan çıkardıktan sonra, yavaşça bu iki ayağı sökün.
- 3 Yıldız uçlu bir tornavida ile, ayakların arasındaki destek çubuğunu sökün. Destek çubuğunu, tarayıcının ayakları ile beraber güvenli bir yere kaldırın böylece, tarayıcınızı başka bir yere taşımanız gerektiğinde, onları tekrar bağlayabilirsiniz.



Tarayıcınızı bir duvara monte etmek istiyorsanız tarayıcının masa montaj ayaklarını ve destek çubuğunu sökülebilirsiniz

Tarayıcınızın arka panelindeki 4 adet M8 civatanın yerleri, aşağıda gösterilmiştir. Tarayıcınızı bir duvar bağlantısına monte ederken, mutlaka M8 vidaları kullanın. Bu M8 vidaların uzunluğu 25mm'yi aşmamalıdır.



Tarayıcınızı Güvenli Bir Şekilde Monte Etmeniz için Uyarı

Film yüklükten Cintel Scanner'in ağırlığı 70kg veya 155 libreye ulaşabilir. Bu, dev ekran bir televizyondan çok daha ağırdır. Film yüklü tarayıcının toplam ağırlığını taşıması için duvarın veya masanın sağlam yapılı olduğundan emin değilseniz güvenliğinizi için montajı doğru şekilde analiz etmek üzere yetkili bir mühendise danışmalısınız. Yanlış montaj, tarayıcının düşmesine neden olacaktır ve bu da ciddi yaralanmaya veya ölüme sebep verebilir.

Tarayıcıyı bir masa üzerine monte ederken ve özellikle de masa montaj civatalarını takmak için tarayıcının altında çalışırken, çalışma zemininin düz ve sağlam olduğundan emin olun. Montaj askıları ve tertibatları, tarayıcınızın ağırlığını güvenle taşımak için yeterince sağlam olmalıdır. Çalışma zemininiz, tarayıcınızın ağırlığını taşıyacak kadar sağlam değilse veya zaman içinde sağlamlığını yitirse tarayıcınız düşebilir ve ciddi yaralanmaya neden olabilir.

Tarayıcıyı duvara monte ederken, montaj edildiği duvarın, uzun süreli kullanımı destekleyecek kadar sağlam olduğundan emin olun. Uzun süreli kullanımdan dolayı montaj noktalarının sağlamlığı azalır tarayıcınız düşebilir ve yaralanmalara neden olabilir. Yük kaldıramayacak durumdaki yerlere, kesinlikle monte etmeyin. Montaj askılarının ve tertibatlarının, tarayıcınızın ağırlığını güvenle taşımak için yeterince sağlam olması zorunludur. Montaj yüzeyi, tarayıcınızın ağırlığını taşımak için yeterince sağlam değilse tarayıcınız düşebilir ve ciddi yaralanmalar ile sonuçlanabilir.

Tarayıcınızı masa üstüne veya duvara monte etme işleminin, birkaç kişi tarafından yapılması zorunludur. Tek başınıza montaja kalkışmayın.

Başlarken

Tarayıcınızı paketinden çıkarıp monte ettikten sonra çalışmaya başlamak basittir. Sadece prize takmak, Thunderbolt üzerinden bilgisayarınıza bağlamak, Blackmagic DaVinci Resolve'yi başlatmak ve filminizi takmak yeterlidir. Yaptığınız taramaları anında harici bir ekranda görmek istiyorsanız filmi yükleyebilir, manuel olarak filmi gerebilir ve görüntüleri bir HDMI ekrana gönderebilirsiniz. Daha fazla bilgi için, bu kılavuzun “filmin takılması” ve “oyunamı kontrolleri” bölümlerine bakın.

Yazılımın Yüklenmesi

Tarayıcınızın kayıt kontrolleri, DaVinci Resolve'nin ‘film scanner panel’ isimli film tarayıcı panelinde bulunur. Bu yüzden, taradığınız görüntüleri kaydetmeye hazır olduğunuzda ilk yapmanız gereken, DaVinci Resolve'yi indirmek ve yüklemektir. DaVinci Resolve'nin tam özellikli sürümünü kullanmanıza imkan vermek için tarayıcınız, DaVinci Resolve için bir program kilidi ile birlikte gelir.

Cintel Scanner yazılımının en son sürümüne, www.blackmagicdesign.com/tr/support adresindeki Blackmagic Design destek merkezinden erişebilirsiniz.

Yazılımı indirme işleminiz tamamlanır tamamlanmaz, zip dosyasını açın ve üzerine çift tıklayın. Bu, bir kurulum klasörü açacaktır. Şimdi, kurulum klasöründeki ‘installer,’ yani yükleyici dosyalarını çalıştırın ve yazılımı bilgisayarınıza yüklemek üzere komutları takip edin.

Cintel Scanner'i kontrol etmek ve iş akışınızla entegre etmek amacıyla kendi yazılımınızı geliştirmek için Cintel Scanner SDK'yu da kullanabilirsiniz. Daha fazla bilgi için ‘Yazılım Geliştirme Kiti’ bölümüne bakın.

Güç Kaynağının Takılması

Tüm gerekli yazılım artık bilgisayarınıza yüklendiğine göre, filminizi takabilmeniz için, tarayıcınıza elektrik bağlamanız gerekecek.

Arka panelin sağ altında bulunan AC güç soketine, standart bir IEC kablosu bağlayarak tarayıcınıza güç sağlayın. Tarayıcınızın LED güç göstergesi, elektrik bağlandığında yeşil yanacaktır.

Bir Bilgisayara Bağlama

Cintel Scanner'inizi bir ana bilgisayara bağlamak için iki yol vardır. Thunderbolt 3 portu, Windows ve Mac bilgisayarlar tarafından kullanılabilirken, harici PCIe portu Blackmagic Design'den PCIe kablo takımı ile kullanıldığında, Windows ve Linux bilgisayarlar tarafından kullanılabilir. Önizleme veya odaklama maksadıyla, tarayıcınızın HDMI portu üzerinden harici bir ekrana da bağlanabilirsiniz. Thunderbolt 3, PCIe ve HDMI portları, tarayıcınızın sağ alt tarafında bulunur.

DaVinci Resolve'nin Başlatılması

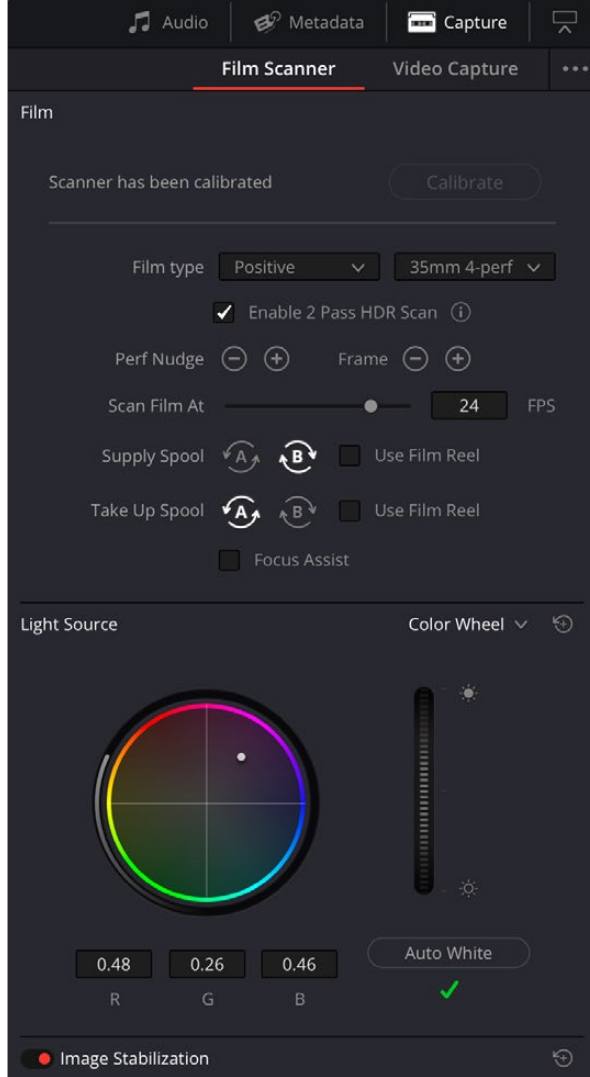
DaVinci Resolve'yi açın ve "Media" sayfasını seçin. Ekranın sağ üst köşesinde bulunan "capture" etiketli görüntü yakalama butonunu tıklayıp "film scanner" ibaresini seçerek, DaVinci Resolve'nin film tarayıcı panelini açın.

Tarayıcı, büyük miktarlarda görüntü verisi yakalayacağından, DaVinci Resolve'nin yakaladığı görüntüleri kaydetmesini istediğiniz klasörü belirlemeniz gerekir.

Bunu yapmak için:

- 1 DaVinci Resolve'yi başlatın.
- 2 DaVinci Resolve menü çubuğundaki "preferences" ibaresi üzerine tıklayarak tercihleri açın.
- 3 "Medya storage" isimli medya depolama sekmesindeki "+" işareti üzerine tıklayın. Bir sabit disk veya klasör yolu seçin.
- 4 "Save" butonunu tıklayarak kaydedin ve DaVinci Resolve'yi yeniden başlatın.

DaVinci Resolve'nin film tarama panelindeki kontrol özelliklerinin tamamının kullanımı hakkında detaylı bilgiler için, bu kılavuzdaki "DaVinci Resolve ile Görüntü Yakalama" bölümüne bakın.



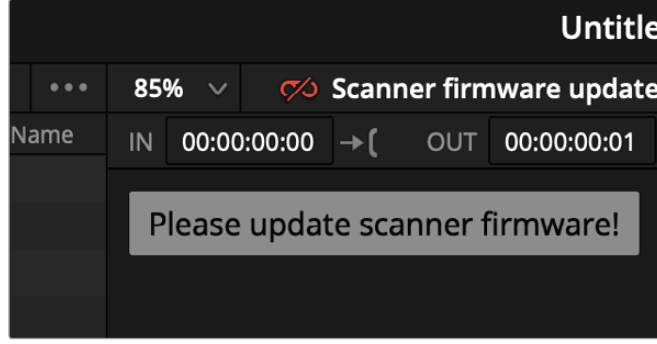
DaVinci Resolve'nin film tarayıcı paneli, tüm görüntü yakalama ayarlarını kontrol eder

Cihaz Yazılımı için Güncellemeler

Hem Cintel Scanner'in hem de Audio and KeyCode Reader'in dahili cihaz donanım yazılımı vardır. Bilgisayarınıza Cintel Scanner yazılımını yükledikten sonra, bu yazılımları güncellenmeniz gerekebilir.

Cintel Scanner

Bilgisayarınıza Cintel Scanner yazılımını yükleyip Cintel Scanner'i bağladıktan sonra, tarayıcınızın yazılımı için bir güncellenmenin gerekli olup olmadığını bilgisayarınız belirler.



Cintel Scanner kilitlendiğinde, DaVinci Resolve bir mesaj gösterir

Audio and KeyCode Reader

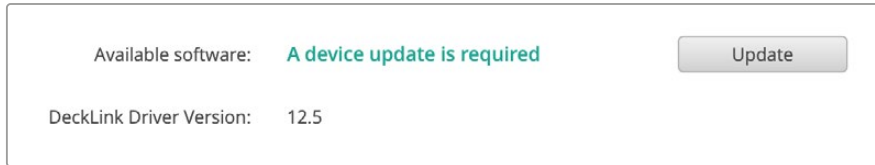
KeyCode Reader için bir cihaz yazılım güncellemesi gerektiğinde, okuyucu kilitlenir ve DaVinci Resolve, bir önceki resimde gösterilen donanım yazılımı güncellemelerine benzer şekilde, Reader'in cihaz yazılımını güncellemeyi size hatırlatmak üzere bir mesaj gösterir.

Bir Cihaz Yazılım Güncellenmesinin Uygulanması

Cintel Scanner ve Audio and KeyCode Reader'deki donanım yazılımı için güncellemeler, Cintel Setup yardımcı yazılımı aracılığıyla yapılır.

Cintel Scanner veya Audio and KeyCode Reader için cihaz yazılımını güncellemek üzere:

- 1 Cintel Scanner'inizi elektrik prizine takın ve bilgisayarınızın Thunderbolt 3 ya da PCIe portuna bağlayın.
- 2 Audio and KeyCode Reader'i güncelliyorsanız bir USB-C kablosuyla cihazı bilgisayarınıza bağlayın.
- 3 Cintel Setup yardımcı yazılımını başlatın ve tarayıcıyı veya ses cihazını seçin.
- 4 "Settings" etiketli butonu tıklayın ve "setup" yani kurulum sekmesine gidin. Bir güncelleme varsa "update" yani güncelle butonunu tıklayın.



Cintel Film Scanner veya Cintel Audio and KeyCode Reader için yeni bir cihaz yazılım sürümü olduğunda, "setup" ibareli kurulum sekmesinde gösterilir.

Donanım yazılımı artık güncel olduğundan, size en yeni ayarları, özellikleri ve uyumluluğu getirir.

Yazılım Geliştirme Kiti

Blackmagic Design, tarayıcınız için ücretsiz bir Yazılım Geliştirme Kit'i (SDK) sağlar. Yazılım Geliştirme Kit'i (SDK) platformlar arası çalışır yani, yazılımınız Mac, Windows veya Linux bilgisayarlarında çalışır. Yazılım Geliştirme Kit'i, tarayıcınızı kontrol etmenizi sağlayan DaVinci Resolve gibi örnek uygulamaları sunar, ama bunu bir komut satırı üzerinden yapar.

Cintel Scanner SDK'yı; tarayıcınızı kontrol etmesi, ayarlarını değiştirmesi, taramaları başlatması ve klipleri işleme için yazılım geliştirmek üzere kullanabilirsiniz. DaVinci Resolve Studio, tarayıcınızla beraber gelir ancak, DaVinci Resolve için tavsiye edilen özelliklere uymayan bilgisayarların tarayıcınızı çalıştırması için bir yazılım geliştirmek üzere, SDK'yı kullanabilirsiniz. Daha fazla bilgi için www.blackmagicdesign.com/tr/developer adresindeki Developer yani Yazılım Geliştiricileri sayfasına bakın.

HDR Nedir?

Yüksek Dinamik Aralık veya HDR, bir görüntüdeki gürültüyü azaltmanın yanında, görüntünün genelindeki dinamik aralığı genişletmek üzere, farklı pozlanmış görüntüleri birleştirme tekniğidir. Tarayıcı, HDR taramayı iki geçişli bir işlemle gerçekleştirir. İlk geçiş, normal pozlamada yapılan bir taramadır. İkinci geçiş, baskılar için düşük ışıklı alanlarda ya da negatifler için yüksek ışıklı alanlarda daha fazla detay vermek üzere, önemli derecede daha yüksek pozlamada yapılır. Normal ve yüksek pozlamalar birleştirildiğinde ortaya çıkan sonuç, daha yüksek bit derinliğindeki bir görüntüdür.



Normal pozlama geçişi solda, yüksek pozlama geçişi ise sağdadır

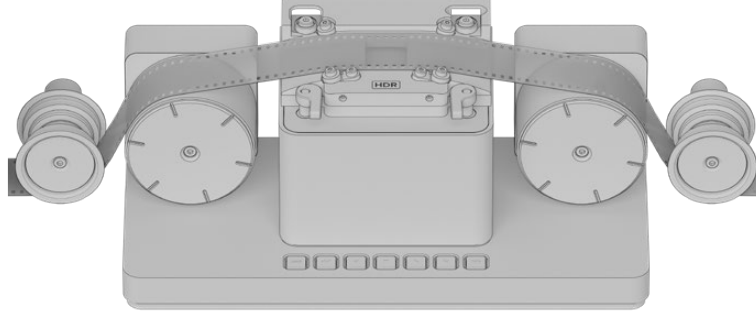


Bu görüntüler, solda gösterilen HDR tarama ve sağda gösterilen standart tarama arasındaki farkı göstermek amacıyla, aynı kareden taranmış ve yakınlaştırılmıştır. HDR tarama; daha az gürültü, daha doğru renkler ve gölge ve parlak alanlarda daha iyi detay sergilemektedir.

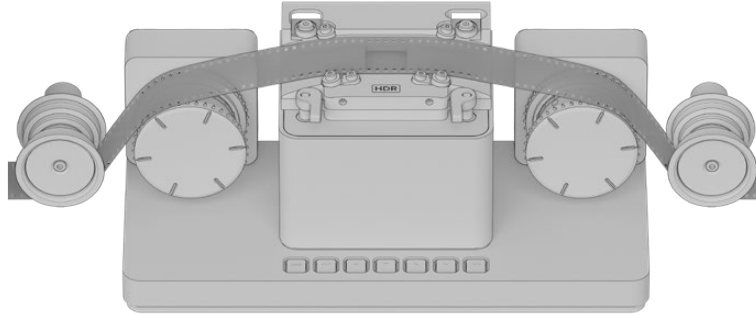
Yüksek doğrulukta HDR film yuvaları ve görüntü sabitleyici; hizalama bozulması olmadan bir HDR klip oluşturan yüksek kalitedeki yeniden boyutlandırma filtresini kullanarak, ilk taramayı ve yüksek pozlamalı taramayı, pikselden daha hassas doğrulukta hizaya getirir.

Sürücü Teker Tipleri

Cintel Scanner, tarayıcının modeline göre capstan olarak bilinen sürücü tekerlerle veya dişli çarklarla donatılmış olarak gelir. Her iki türdeki sürücü teker da filmi ileri veya geri sarmak üzere döner ve sonra, görüntü sensörünün geçidi dahilindeki her bir kareyi doğru olarak hizalamak için durur. Sürücü tekerler, tarayıcının ayrılmaz bir parçasıdır ve başka bir tür sürücü teker ile değiştirilemezler.



Capstan olarak bilinen döndürücü tekerler, az miktarda sürtünmeyle filmi tutarlar ve kırılğan veya hasarlı perforasyonu olan filmler üzerinde hassastırlar



Dişli çarklarda, filmin görüntü karesi içeren bölümüne temas etmeden filmdeki deliklere geçmeleri için birtakım dişler bulunur

Kızak plakası üzerinden filmin kolayca geçmesini sağlamak için ikincil sürücü teker bir gergi tekeri gibi hareket ederken, ana sürücü teker filmi çeker. Cintel Scanner'deki sürücü tekerlerin simetrik düzeni, filmin aynı tizlik ve doğrulukla ileri veya geri taşınmasını çok çeşitli hızlarda mümkün kılar.

Filmin Takılması

Tarayıcınız ve DaVinci Resolve birbiriyle iletişimde olduklarına göre, artık filminizi takarak bağlayabilirsiniz.

Tarayıcıya Erişim

Tarayıcınızın sürgülü kapaklarını açın.

Dahili ön panelde, sol tarafta bir besleme makarası ve sağ tarafta bir toplama makarası göreceksiniz. Besleme makarası taranacak olan filmi tutar ve toplama makarası da taranan filmi toplar.

Film Sarış Yönünün Ayarlanması

Makaraların doğru yönde dönmeleri için, "wind type" isimli sarış türünü ayarlayın. DaVinci Resolve'nin film tarama paneline gidin ve sırasıyla "supply spool" (besleme makarası) ve "take up spool" (toplama makarası) butonlarında "B" ve "A"nın üzerine tıklayarak, "wind type" yani sarış türünü B/A olarak ayarlayın.

B/A tarayıcınızın varsayılan sarış türüdür ve besleme makarasını saat yönünde ve toplama makarasını da saat yönünün ters istikametinde döndürür. Daha fazla bilgi için, bu kılavuzun “sarış türleri” bölümüne bakın.

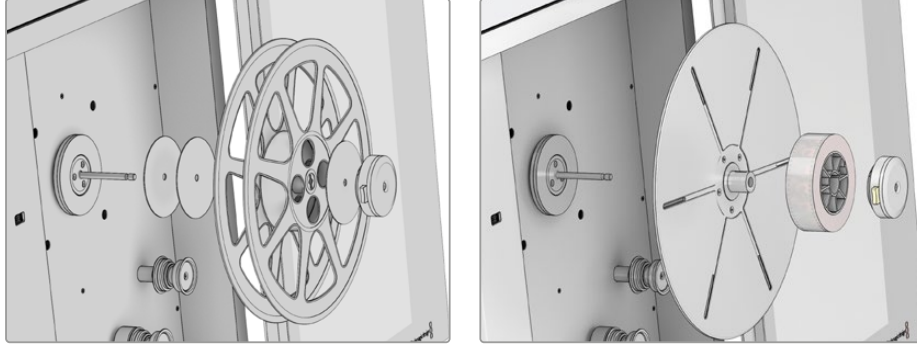
Bu, film tipi ve ölçüsü için ayarlarınızın uygun olduğundan emin olmanız için iyi bir fırsattır. DaVinci Resolve'nin film tarayıcı panelinde uygun film tipi ve ölçüsününün yanı sıra 8mm, 16mm, 35mm ve çeşitli perforasyon düzenlerini seçebilirsiniz.

Toplama Makarasının Hazırlanması

Cihazla gelen 75mm'lik makara göbeğini ve göbek kelepçesini, tarayıcınızın toplama miline kaydırarak takın. Göbek kelepçesini takmak için, kelepçenin butonunu içe basılı tutarak, direnç hissedene kadar milin üzerine itin sonra, butonu bırakın ve bir tıklama sesi duyana dek, kelepçenin geri kalan kısmını itin.

Filmin Yüklenmesi

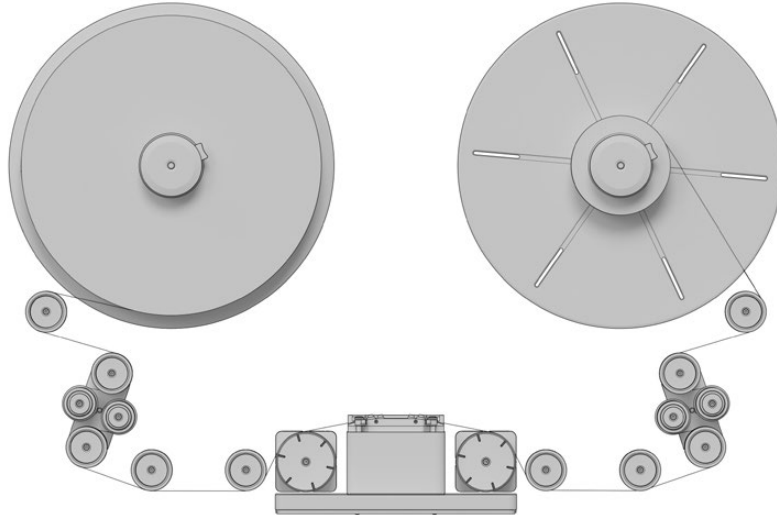
Film makaranızı veya makara göbeğini, 3. adımda uygulanan işlemin aynısını uygulayarak besleme miline takın. Filminizin makara göbeğinde veya makarada olmasına ve 35mm, 16mm veya 8mm olmasına göre, izlenecek yolun biraz farklılık gösterdiğini dikkate alın. Örneğin, bir makara göbeğini takarken, cihazla gelen arka plakayı yerleştirmeniz gerekecektir, oysa bir makara takmak için sadece pulları kullanmak yeterlidir.



Yukarıdaki çizimde 35 mm'lik bir film makarası ve göbeğinin takılması gösterilmektedir. Film makaralarını takarken arka plaka gerekli değildir ve sadece tedarik edilen ara parçaları kullanabilirsiniz. Bir göbekteki filmi takarken, cihazla verilen arka plaka gereklidir.

Filmin Takılması

Aşağıdaki örnek çizimi takip ederek, tarayıcınızın silindirleri arasından, amors veya lider isimli film ucunun birkaç metresini yavaşça dişlere geçirerek bağlanmasını sağlayın.



Tarayıcınızın varsayılan B/A sarış, besleme makarasının altından alır ve toplama makarasını üstten sarar

Filmin Gerilmesi

Toplama makarasına filminizi sağlam bir şekilde bağlamak için, makarada bulunan küçük çentiğe filminizi yerleştirin ve sonra filmin yerinde kalması için, makarayı yavaşça elinizle birkaç kez sarınız.

Filmin ucunu çentiğin içine kıvrırmak istemiyorsanız filminizi makarada sağlamlaştırmak üzere, filmin sürtünme kuvvetinden faydalanarak filmi kendi üzerine kolaylıkla sarabilirsiniz. Hafif yapıştırıcı bir bant da kullanabilirsiniz.

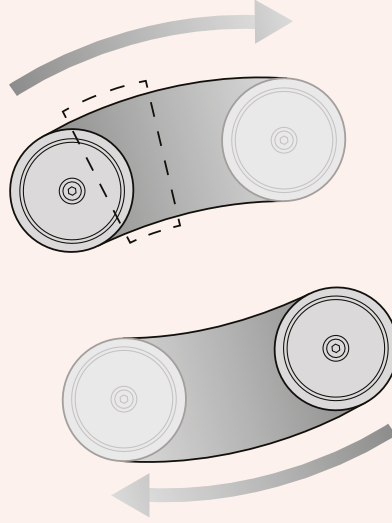
Gerdirme işlemini; 'load' isimli yüklemeye butonuna basarak veya besleme ve toplama makaralarını aynı anda elle döndürerek başlatın.

Elle Gerdirme

Herbir makaranın altındaki esneklik kollarının, siz elle gerdirme yaptıkça, aşağıdaki şemada gösterildiği gibi hareket etmeye başladıklarını fark edeceksiniz. Esneklik kolları, hareket alanlarının yaklaşık üçte bir mesafesine ulaştınca, makaraları bir iki saniyeliğine yerinde sabit tutun. Tarayıcınız, toplama makarasındaki takılı filmi tespit edecek ve gerdirme özelliği otomatik olarak aktif hale gelerek, geri kalan boşluğu alacaktır.

İster manual isterse otomatik bir yüklemeye esnasında herhangi bir sorun fark ettiyseniz 'load' butonuna tekrar basarak veya besleme ya da toplama makarasını sıkıca tutarak, yüklemeye işlemini iptal edebilirsiniz.

Tarayıcınız, her iki eylemi tanıyacak ve yüklemeye işlemini durduracaktır.



Filmi elle gerginleştirirken, hareket alanlarındaki en etkili noktaya, yani yarı yoldan biraz az bir yere, esneklik kollarının hareket etmesine yetecek kadar gerginlik uygulamanız gerekir. Tarayıcınız, geri kalan boşluğu otomatik olarak sardıracaktır.

Filminizin Kontrol Edilmesi

Tarayıcınızdaki “play” butonuna basarak veya DaVinci Resolve’nin film tarayıcı panelindeki (film scanner panel) “play” butonunu tıklayarak, filmin düzgün bir şekilde takıldığından emin olun. Görüntüleyicide veya bağlı bir HDMI ekranda, film görüntünüzü görüyorsanız tarayıcınızın çalıştığını anlarsınız.

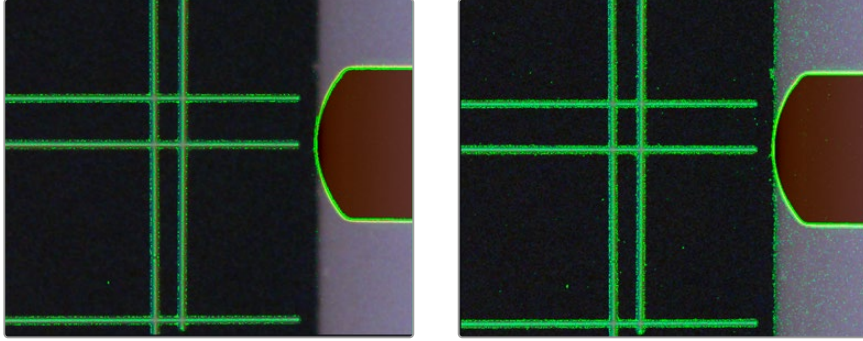
Kullandığınız sarış tipine göre, görüntünün yatay veya dikey olarak ters çevrilmesi mümkündür. Uygun film tipini seçerek bunu düzeltebilirsiniz. Mesela, ‘negative’ ayar seçilene kadar, negatif film soldan sağa çevrilmiş olarak görünebilir. Bunu, film tipini seçerek düzeltemiyorsanız farklı bir sarış tipi kullanarak, filminizi tekrar yüklemeniz gerekebilir.

Cintel Scanner G3 HDR+’da taranan filmin durumunu gözden geçirmek için “stop” veya “play” butonunu 2 saniyelikliğine basılı tutun. Bu, “inspect mode” ibareli denetleme modunu devreye sokarak film üzerine düşen ışığın gücünü azaltacak, böylece filmdeki herhangi bir kusuru, kiri veya çiziji görmenizi sağlayacaktır. Bu, filmi tam olarak incelemenizi ve film makarasının temizlenmeye veya düzeltilmeye ihtiyacı olup olmadığını değerlendirmenizi sağlayacaktır.

Odaklama

Tıpkı bir kameradaki lensi odaklar gibi, tarayıcınızın sensörüne yansıtılan film görüntüsünü odaklamanız gerekir. Netlik kadranı, tarayıcınızın merkez kolonunda bulunur. Kusursuz netlik elde etmek için en doğru yol, DaVinci Resolve’nin film tarayıcı panelindeki ‘focus assist’ isimindeki netlik yardımı özelliğini kullanmaktır. Blackmagic kameralardaki ‘focus peaking’ özelliğine benzer olarak odaklama yardımı, görüntünüzdeki en keskin kısımların etrafında yeşil bir kenar sergiler. Bu; yeşil vurgulamalar en güçlü hallerine erişinceye kadar netliği kolaylıkla düzeltmenize imkan tanır.

DaVinci Resolve’nin film tarayıcı panelindeki onay kutusunu etkinleştirerek, odak yardımı özelliğini aktif hale getirin, sonra netlik kadranını düzelttikçe, Cintel tarayıcınızdan HDMI çıkışını veya film tarayıcı paneldeki görüntüleyiciyi izleyin. Film greni, mükemmel bir işarettir. Filmdeki gren, yeşil kenarları en güçlü oldukları halde gösteriyorsa görüntünüz mükemmel odaklanmıştır.



Odak yardımı özelliğini kullanarak doğru netlik ayarı için, film greni mükemmeldir. Yukarıdaki örnekte, solda netlik dışı görüntüyü ve sağda net görüntüyü görebilirsiniz. Netlik yardımı özelliği greni vurgularken, en belirgin olduğu yer perforasyon bölgesidir.

Netlik yardımı özelliği, negatif film tiplerini kullanırken en iyi şekilde çalışır, çünkü en çok gren detayına sahip olmasıyla, negatif genellikle daha nettir.

Netlik yardımı özelliğinden en iyi şekilde faydalanmak için, görüntüleyiciyi en yüksek çözünürlüğüne ayarlayın. Görüntüleyicinin sağ üst köşesindeki seçenek ayarları üzerine tıklayın ve tam çözünürlükte önizleme için menüden “Full Resolution Preview” ibaresini seçin.

Tam çözünürlüklü önizlemenin, siz etkisiz hale getirene kadar geçerli kalacağını belirtmekte fayda vardır. Bu ayar, GPU’yu çok yoğun çalıştırır ve görüntüleyicinizin performansını etkileyebilir, örneğin; biraz kare gecikmesi olabilir. Bu yüzden, tam çözünürlüğü netlik kontrolü için kullanıp, daha iyi performans için sonra kapatmanız yardımcı olabilir.

Tarayıcı Kapaklarının Kapatılması

En iyi kalitede tarama için, tarayıcınızın sürgülü kapaklarını kapatmanızı öneririz. Kapaklar, tam olarak kapanmadan önce yavaşlamaları için tasarlanmışlardır yani, tek yapmanız gereken, yaylı mekanizmanın kontrolü ele aldığını hissedene kadar, kapakları birbirlerine doğru kaydırmaktır. Kapaklar kapalıyken, herhangi bir ışığın, film yuvasına girmesini önleyecektir.

Tarayıcınızdaki yüksek kaliteli ışık kaynağı, çok parlak ışıklandırılmış çalışma alanları haricindeki tüm ışık kirliliğini, ortadan kaldıracaktır. Film epeyce parlak olduğu için, tavandaki ışıkları yansıtabilir ve yakaladığınız görüntüde, bunlar büyük lekeler olarak görünebilir. Bunu, tarama yaparken tarayıcı kapaklarını kapatarak önleyebilirsiniz.

Filminizi taktığınıza, gerginliğini ayarladığınıza, görüntüyü netleştirdiğinize ve tarayıcı kapaklarını kapattığınıza göre, şimdi görüntü kaydına başlayabilirsiniz!

Işık kaynağının kalibre edilmesi, sabitleyicinin ayarlanması ve görüntü kaydetmek üzere görüntü yakalama palet ayarları hakkında detaylar için, lütfen DaVinci Resolve kullanım kılavuzunun Cintel bölümüne bakınız. DaVinci kullanım kılavuzu, optik sesin nasıl senkronize edildiğini ayrıntılı olarak anlatır ve tarama yaparken, yakalanan görüntü dosyalarını nasıl yönetebileceğinizi de gösterir.

Tarayıcınızın teknik özellikleri hakkında detaylı bilginin yanı sıra bakımı ve servisi hakkında bilgi arıyorsanız bu kullanım kılavuzunda, "Bakım" ve kılavuzun sonlarına doğru olan "Özellikler" bölümlerine bakınız.

Tarayıcınızın Kullanımı

Kılavuzun bu bölümünde 8mm ve 16mm film için farklı film sarış türlerinin yüklenmesi gösterilmektedir, isteğe bağlı 8mm ve 16mm film kitlerinin takılması ve ayarlanması hakkında talimatlar verilmektedir ve Cintel tarayıcınızdaki yerel aktarım kontrollerinin kullanılması açıklanmaktadır.

Sarış Türleri

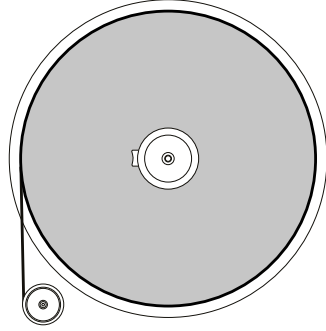
Sarış türü; tarayıcınızın besleme ve toplama makaralarındaki filmin dönüş yönünün yanı sıra, yükleme ve çıkarma pozisyonunu da kapsar. Aşağıdaki şemada gördüğünüz gibi, bir "A" Sarış bobinin üstünden filmin yükleme/boşaltma işlemini ifade ederken, bir "B" tipi de alttan yükleme ve boşaltmayı ifade eder. Bu hem besleme hem de toplama makaraları için geçerlidir.

Tarayıcınızın varsayılan sarış tipi, B/A sarıdır yani, besleme makarası boşaltma işlemini alttan ve toplama makarası da yükleme işlemini üstten yapar. Üzerinde çalıştığınız film başka bir şekilde sarılmış ise A ve B sarış türlerinin farklı bileşimleri de desteklenir; DaVinci Resolve'nin film tarayıcı panelindeki 'feed' (besle) ve 'take up' (topla) butonları ile uygun sarım tipini seçmeniz yeterlidir.

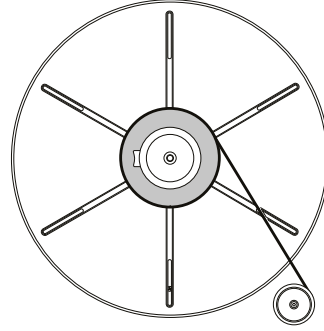
Sarım tipi; her bir bobinin dönüş yönünü, ses bilgisinin ve perforasyonların konumunu ve filminizin kızak plakası üzerinden duyarkat (emulsion) tarafı üstte veya altta olarak geçmesini etkiler. Yani, projeniz için uygun olan tertibi kullanmanız önemlidir.

DaVinci Resolve'nin film tarayıcı panel ayarlarında, uygun sarım tipini seçiniz.

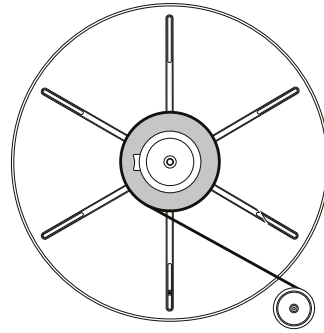
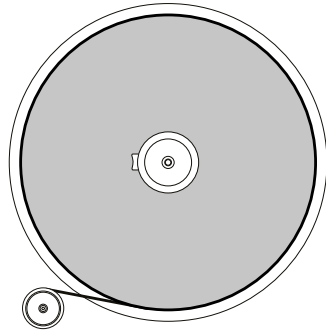
Besleme makarası



Toplama makarası



“A” sarış



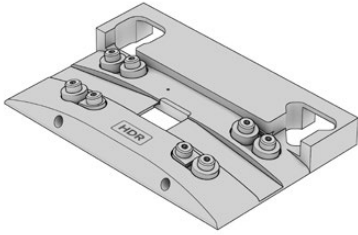
“B” sarış

A ve B tipi sarımın arasındaki farkı hatırlamanın kolay bir yolu, A sarım; filmi, bobin veya makaranın üstünden boşaltıp toplarken, B sarımın aynı işlemi alttan yaptığını bilmektir.

16mm'ye Değişim

İsteğe bağlı Cintel Scanner 16mm film yuva setinde, ihtiyacınız olan tüm parçalar bulunur ve tarayıcınızın kurulumuna yapacağınız değişiklikler asgaridir.

16mm Kızak plakası



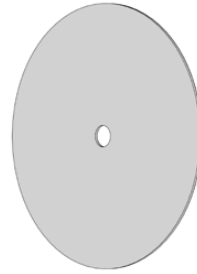
16mm İç pul



Dış pul



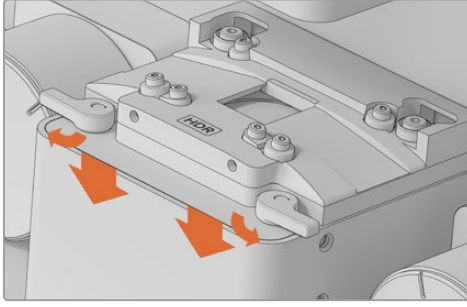
1mm Ara pul



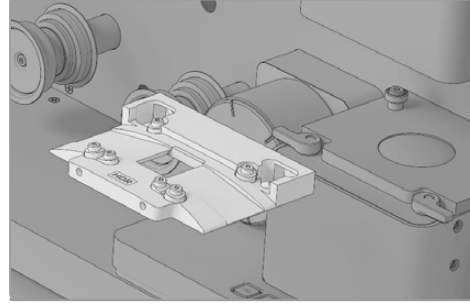
16mm'lik sette; bir adet 16mm Kızak plakası, iki adet 16mm pul ve iki adet 16mm dış pul ve dört adet 1mm ara pul bulunur.

Kızak Plakasının Değiştirilmesi

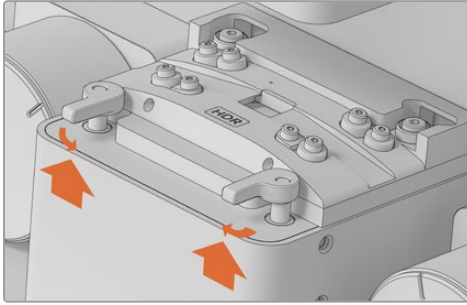
35mm'lik plakanın önündeki tutma kollarını aşağı itin ve sonra dışa doğru çevirerek 35mm'lik kızak plakasını, 16mm'lik kaydırma plakası ile değiştirin. Şimdi, 35mm'lik plakayı çıkarın ve 16mm'lik plaka ile değiştirin. Bir kızak plakasını takarken, tutma kollarını içe doğru çevirmeden önce, tutma kollarının tamamen yukarı kaldırıldığından emin olun yoksa, plaka gerektiği gibi oturmayabilir.



Kızak plakasını çıkarırken, tutma kollarını aşağı itmeniz ve sonra dışa doğru çevirmeniz gerekecektir



16mm kızak plakasını takmak için 35mm'lik kızak plakasının çıkarılması



Bir kızak plakasını sıkıca tutturmak için, tutma kollarını tamamen kaldırın ve içe doğru çevirin

16mm'lik İç Pulun Geçirilmesi

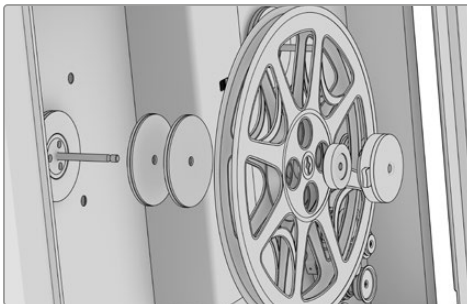
16mm'lik lastik iç ara pulu, besleme ve toplama makaralarının tabanına geçirin. Lastik ara pul, yivli tarafı içe dönük şekilde; arka plaka, bobin veya makaradan önce yer alır.

İsteğe Bağlı Ekstra Ara Pullar

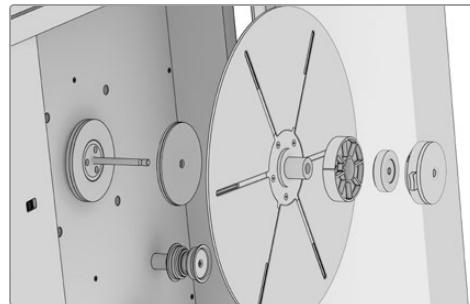
İlave 1mm'lik lastik ara parçalar, bir makara monte ederken kullanılmak üzere, 16mm Gate Kit'ine dahil edilmiştir. Bu ara parçaları, filminizi tarayıcınızın silindirleri ile hizalandırmanız gerektiğinde kullanabilirsiniz.

Filminizin Monte Edilmesi

Besleme makarasına 16mm'lik makara göbeğini veya makaranızı ve toplama makarasına bir arka plaka ve göbek taktıktan sonra, makaraları sağlamlaştırmak için dış ara pulları takmanız gerekir. Bu ara pulun hem bir çentiği hem de sırasıyla göbeklere veya makaralara tutturulmak üzere iç kenarında bir lastik halkası vardır. Bu yerine takılınca, makaraları normalde yaptığınız gibi sıkılaştırın.



Makara montajı milden dışa doğru gösterilmektedir; 2 adet 16mm iç pul, 16mm makara, dış pul ve göbek kelepçesini kapsamaktadır.



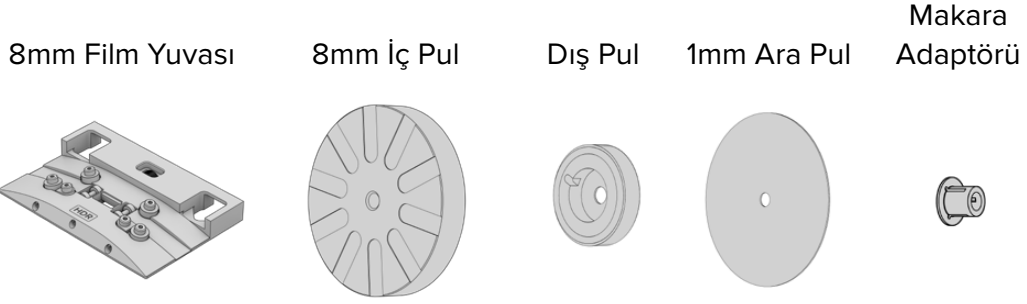
Makara göbeği montajı milden dışa doğru gösterilmektedir; 16mm iç pul, arka plaka, 16mm makara göbeği, dış pul ve göbek kelepçesini kapsamaktadır.

Takma İşlemi

35mm'lik filmde olduğu gibi, takma işlemini tamamlayın. 'Load' düğmesine basmadan veya 16mm'lik filminizi elle gerdirmeden önce, filminizin zarar görmesini önlemek için sürücü çarkın dişlerine filmin doğru takıldığından emin olun.

8mm'ye Değişirme

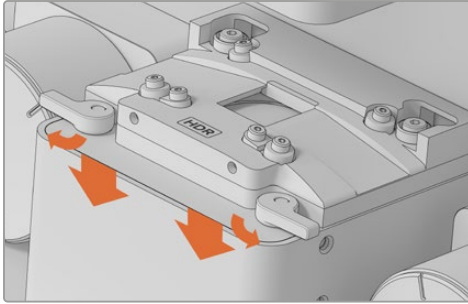
İsteğe bağlı Cintel Scanner 8mm film yuva setinde ihtiyacınız olan tüm parçaların bulunması, tarayıcınızın kurulumuna yapacağınız değişiklikleri asgariye indirir.



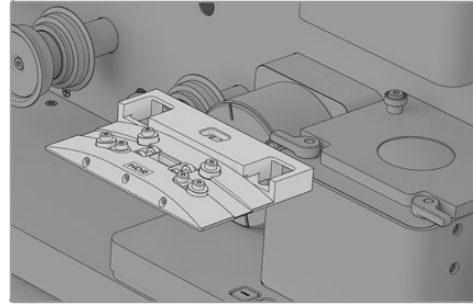
8mm'lik sette; 8mm film yuvası, iki adet 8mm iç pul, iki adet dış pul, dört adet 1mm ara pul ve iki adet 8mm'den Süper 8mm'ye makara adaptörü bulunur

Kızak Plakasının 8mm Film Yuvası ile Değiştirilmesi

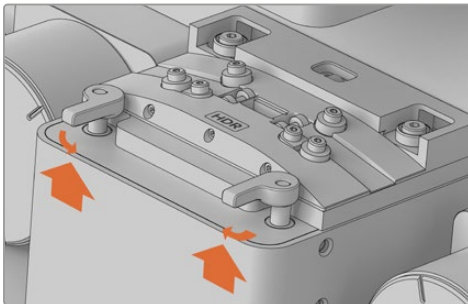
Kızak plakasını 8mm'lik film yuvası ile değiştirmek için plakanın önündeki kilitleme kollarını aşağı itin ve sonra kolları dışa doğru çevirin. Şimdi kızak plakasını çıkarın ve 8 mm'lik film yuvası ile değiştirin. Film yuvasını takarken, kilitleme kollarını içe doğru çevirmeden önce, kilitleme kollarının tamamen yukarı kaldırıldığından emin olun yoksa, yuva gerektiği gibi oturmayabilir.



Kızak plakasını çıkarırken, tutma kollarını aşağı itmeniz ve sonra dışa doğru çevirmeniz gerekecektir



8mm film yuvasını takmak için 35mm'lik kızak plakasının çıkarılması



Film yuvasını sıkıca tutturmak için, kilitleme kollarını tamamen kaldırın ve içe doğru çevirin

8mm'lik İç Pulun Takılması

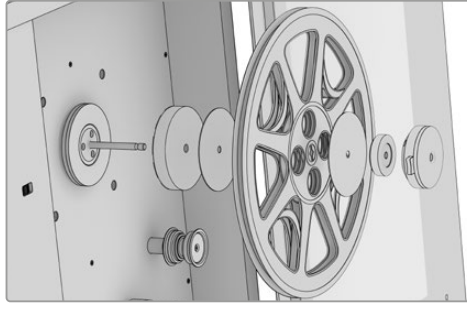
8mm'lik metal iç pulu, besleyici ve toplayıcı makaraların tabanına geçirin. Lastik ara pul, yivli tarafı içe dönük şekilde, makaradan önce takılır.

İsteğe Bağlı Ek Ara Pullar

Farklı tür makaraları monte ederken kullanılmak üzere 8mm film yuvası setine, ilave 1mm'lik lastik ara pullar dahil edilmiştir. Filminizi tarayıcınızın silindirleri ile film makaranızı hizalandırmanız gerektiğinde, makaranın herhangi bir tarafında bu ara pulları gerektiğince kullanabilirsiniz.

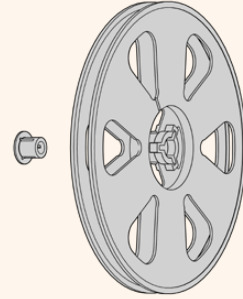
Filminizin Takılması

Besleyici makaraya 8mm'lik film makaranızı ve toplayıcı makaraya boş bir film makarası taktıktan sonra, makaraları sağlamaştırmak için dış pulları takmanız gerekir. Bu yerine takılınca, makaraları normalde yaptığınız gibi sıkılaştırın.



Makara montajı milden dışa doğru gösterilmektedir: 8mm ara pul, 1mm ara pul, 8mm makara, 1mm ara pul, dış pul ve göbek kelepçesini kapsamaktadır.

BİLGİ Süper 8mm film yüklüyorsanız, her bir makaraya, tarayıcıyla birlikte gelen Süper 8mm makara adaptörlerini takın. Bu adaptörler, makaranın mil üzerine doğru şekilde takılmasını sağlar.

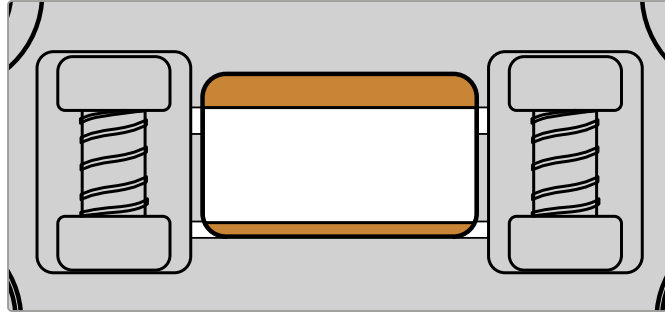


Takma İşlemi

35mm'lik filmde olduğu gibi, takma işlemini tamamlayın. "Load" butonuna basmadan veya 8mm'lik filminizi elle gerdirmeden önce, filminizin zarar görmesini önlemek için filmin sürücü çarkların dişlerine doğru oturduğundan emin olun.

8mm Film Ölçüleri Arasında Geçiş

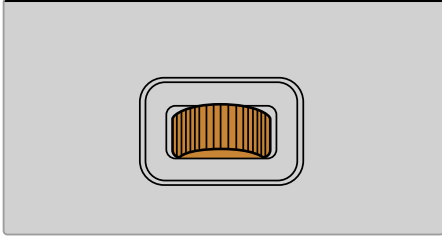
İsteğe bağlı 8mm yuva; Standart 8mm, Süper 8mm ve Max 8mm film arasında geçiş yapmak için ayarlanabilir ışık deliği örtücülerine sahiptir. Işık deliği örtücülerini filmin hareket etmeyen görüntü alanına ayarlamak, film kenarındaki "parlamayı" azaltır ve görüntü sabitleme tarama bölgelerinin optimize edilmesine yardımcı olur.



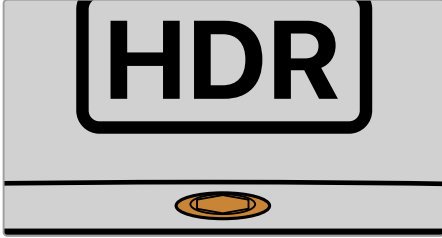
8mm film yuvası ayarlanabilir ışık deliği örtücülerine sahiptir

Ayarlama yapılmasına yardımcı olmak için, film yuvasının üst yüzünde her bir film kalibresi için hizayı gösteren beyaz referans çizgileri vardır. Filmden büzülme veya kamera diyafram açıklığında farklılıklar olabileceğinden, bu referans çizgileri kılavuz amaçlıdır. Son düzeltme, bir film örneği yüklenerek ve yerel HDMI ekranda veya DaVinci Resolve önizleme ekranında izlenerek gerçekleştirilebilir.

Işık deliği örtücülerini ayarlamak için:

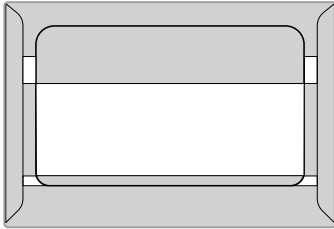


Üst taraftaki perforasyon örtücüsünü ayarlamak için yuvanın arkasında bulunan örtücü çarkını kullanın. Standart 8mm ve Süper 8mm film arasında geçiş yapmanızı, bu sağlar.

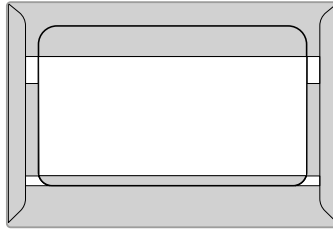


2 mm'lik bir alyan anahtarı kullanarak, yuvanın ön tarafındaki orta vidayı çevirerek alt taraftaki alt örtücüyü ayarlayın. Bu örtücünün ayarlanması, Süper 8mm ve Max 8mm film arasında geçiş yapmanızı sağlar.

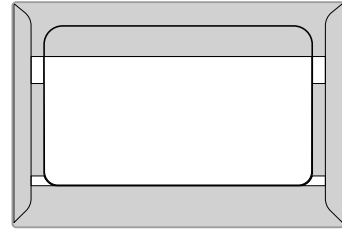
Aşağıdaki çizimler; Standart 8mm, Süper 8mm ve Max 8mm film için ayarlanmış ışık deliği örtücülerini göstermektedir:



Standart 8mm



Süper 8mm



Max 8mm

Işık deliği örtücüleri ayarlandıktan sonra, örnek bir film takabilir ve ışık deliği açıklığı örtücülerini filmin hareketsiz görüntü alanıyla hizalamak için son ince ayarlamaları yapabilirsiniz.



Yanlış kurulum, ışık deliği örtücüleri çok geniş ayarlandığı için görüntünün her iki tarafında parlak alanlar oluştuğunu göstermektedir



Yanlış kurulum, ışık deliği örtücüleri çok dar ayarlandığı için görüntünün her iki tarafında karanlık alanlar oluştuğunu göstermektedir

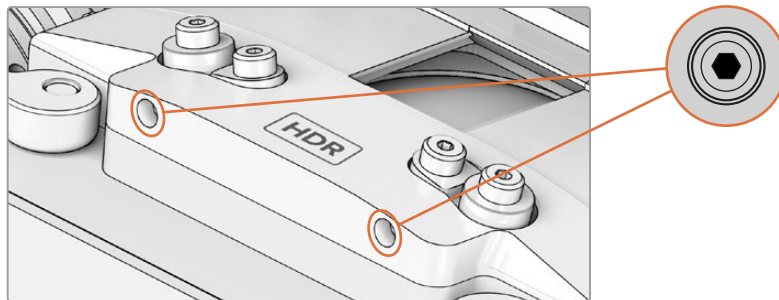


Doğru kurulum, ışık deliği örtücülerinin filmin hareketsiz görüntü alanının kenarıyla, doğru ayarlanmış olduğunu göstermektedir.

Film Yolu Gergi Vidaları

Kızak plakasındaki dört tane silindir rulman, belirlenmiş bir yolda filmin hareket etmesini sağlar ve 'gate weave' ismindeki yuva yalpalanmasının asgariye inmesine yardımcı olur. Bir tarama esnasında, rulmanlardan bazıları filme temas etmiyorsa gerginlikleri ayarlanabilir. Bunu yapmak için, kaydırıcı plakanın veya 8mm film yuvasının önündeki M4 gergi vidalarını, 2mm'lik bir alyan anahtarı kullanarak hafifçe sıkın.

Çok fazla baskı uygulandığı zaman, görüntünün konumunu hafifçe kaydırabileceğini ve bunun da taramanızı etkileyebileceğini belirtmemizde fayda var. Bu olursa gerginlik ayarlamalarınızı taramanız normale geri dönene kadar gerginliği azaltın.



Film yolu gergi vidaları; 8mm film yuvasının ve 16mm ile 35mm kaydırıcı plakaların ön tarafında bulunur.

Oynatım Kontrolleri

Aşağıdaki oynatma kontrolleri DaVinci Resolve'de ve tarayıcınızda bulunur.



Tarayıcınızın, yükleme (loading), boşaltma (unloading) ve ön izleme için dahili kontrolleri vardır.



Load (Yükle)

'Load' butonuna basılması, 'filmin takılması' bölümünde anlatıldığı gibi, tarayıcınızın besleyici ve toplayıcı bobinlerine takılı filmi gerecektir.

Filminiz doğru bir şekilde gerilince 'load' butonuna basılması, uygunluk kollarını gevşek konumlarına geri getirerek filmi boşaltacaktır.



Geri Sar

Filminizi besleme makarasına sarmak için, geri sar butonuna basın. Bu butona bir kez basmak, filminiz tam sarılı 75mm makara sınırına ulaşıncaya kadar hızlı geri sarar ve bu noktada durur. Filminizin geri kalan kısmını yavaşça besleme makarasına geri sarmak ve tarayıcınızı boşaltmak için geri sar butonuna tekrar basın.

Eğer 50mm'lik bir makara kullanıyorsanız tarayıcınız ilk olarak 75mm'lik sınırdaki duracaktır. Geri sar butonuna ikinci bir kez basmak, 75mm'lik bir makaranın tamamen geri sarılacağı noktaya kadar yavaşça geri sarar. Tarayıcınız, bu noktada halen yüklü film olduğunu tespit ederse hızlı bir şekilde geri sarmaya devam eder ve 50mm'lik sınıra ulaştığında tekrar durur. 50mm'lik bir makarayı tamamıyla geri sarmak için, "geri sar" butonuna üçüncü kez basın. 8mm film makaraları için sınırlar sırasıyla 63mm veya 32mm film makarası göbeği çaplarına göre programlanmıştır.

100mm'lik makaraların az bulunması nedeniyle, tarayıcınız 100mm'lik sınıra varmadan önce durmaya programlanmamıştır. 100mm'lik bir makara kullanıyorsanız toplama makarasına filmi yükleme yöntemimize dikkat edin. Lütfen, mevcut çentiği kullanın veya çentiğin içinde filminizin ucunu kıvrım istemiyorsanız filmin kendi üzerine sarılırken oluşturduğu sürtünmeyi kullanabilirsiniz. 100mm'lik film makaralarını yüklerken, makaranızın temiz boşaltılması için yapıştırıcı bant kullanmaktan sakınız.



Step Back (Geri Adım)

Filmi bir kare geri sarar. Ayrıca, filmi yavaş bir hızda geriye oynatmak için 'step back' butonunu basılı tutabilirsiniz.



Stop (Durdurma)

Oynatmayı (playback), ileri sarmayı (fast forward) ve geri sarmayı (rewind) durdurur.



Play (Oynat)

Filmi oynatır. Varsayılan kare hızı saniyede 24 karedir. DaVinci Resolve'nin film tarayıcı panelinde, oynatma (playback) ve tersinden oynatma (play reverse) kare hızlarını ayarlayabilirsiniz.



Step Forward (İleri Adım)

Filmi bir kare ileri sarar. Ayrıca, filmi yavaş bir hızda oynatmak için 'step forward' butonunu da basılı tutabilirsiniz.



Fast Forward (İleri Sarma)

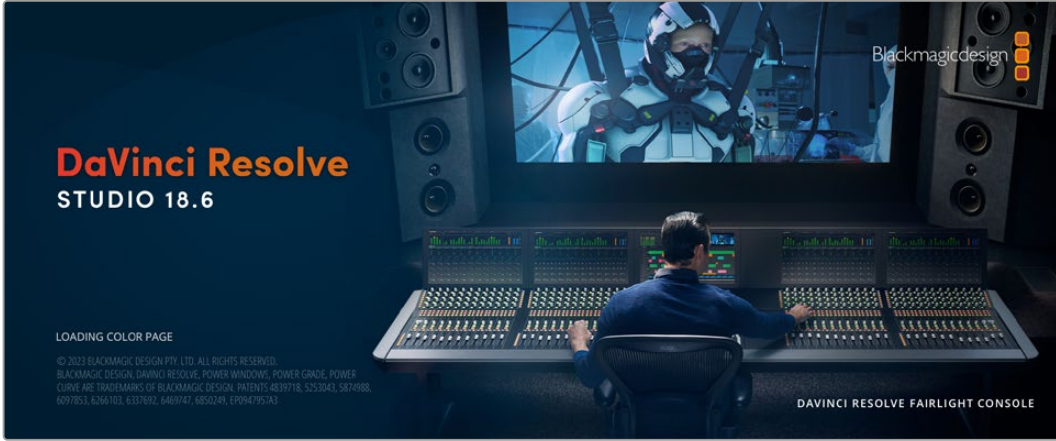
Filmi hızla toplayıcı bobine sarar. Durma eylemi; 50, 75 ve 100mm bobinler için geri sarma işlemiyle aynı şekilde gerçekleşir.

Tarayıcınızın 'step back' veya 'step forward' butonunu basılı tuttuğunuzda, tarayıcınız saniyede 4 kare hızla ileri veya geri oynatım yapar. Aynı işlemi, DaVinci Resolve'nin film tarayıcı panelindeki aktarım kontrollerinde 'step back' ve 'step forward' butonlarını fare ile tıklayıp basılı tutarak da gerçekleştirebilirsiniz.

Bekleme (Standby) Modu

Aktif olmadığında, ışık kaynağının ömrünü korumak amacıyla, tarayıcınız bekleme (standby) moduna girecektir. Thunderbolt üzerinden bağlandığında, bu 15 dakika sonra gerçekleşir veya hiçbir yazılım bağlı değilken bir buçuk dakika sonra gerçekleşir. Tarayıcınız, ışık kaynağını yeşil olarak yakıp söndürerek, bekleme moduna gireceğini bildirir.

DaVinci Resolve Kullanarak Görüntü Kaydı



Kılavuzun bu bölümü, tarayıcınızı kontrol etmek için, DaVinci Resolve'nin film tarayıcı panelindeki ayarların ve özelliklerin nasıl kullanılacağını gösterir. Örneğin; tarayıcınızın kalibre edilmesi, ışık kaynağının gücünün ve renk ısısının ayarlanması, görüntü sabitlemesinin ayarlanması ve benzeri ayarlar. Hatta, zamanla kırılğan hale gelmiş olabilen filminizi, Cintel tarayıcınızın ne kadar yumuşak muamele göstereceğini bile ayarlayabilirsiniz.

BİLGİ DaVinci Resolve, tüm tarayıcı ayarlarını mevcut projeye kaydeder.

Cintel Tarayıcı Arayüzü

Cintel tarayıcınızı kontrol etmek için Medya sayfasını ayarlamak üzere, DaVinci Resolve ekranının üst kısmındaki kullanıcı arayüzü araç çubuğundaki "capture" yani, görüntü yakalama butonunu tıklayın. Kurulum yapmak, kalibre etmek ve şu anda makaraya sarılı film rulusunun seçili bir bölümünü kaydetmek veya tarama seçeneklerini ayarlamak üzere, DaVinci Resolve'nin film tarayıcı panelini açın. Cintel tarayıcı kontrollerini görüntülemek için daha fazla alan istiyorsanız kullanıcı arayüzü araç çubuğunun en sağında bulunan "full height" yani tam yükseklik butonunu tıklayın ve "metadata" panelini kapatın.



“Media” sayfasındaki Cintel tarayıcı kontrolleri

Aktarım Kontrolleri

Görüntüleyicinin altındaki aktarım kontrolleri, oynatım modundayken kullanılan kontrollere benzer görünse de artık Cintel tarayıcıyı kontrol etmek için çalışırlar. Bir kare ileri veya geri almak için, ilave kontroller belirir.

Giriş ve Çıkış Kontrolleri

Cintel Scanner modundayken, aktarım kontrollerinin sağında olan “In” ve “Out” etiketli giriş ve çıkış butonları, film makarasında görüntünün yakalanacağı bir aralık belirler.

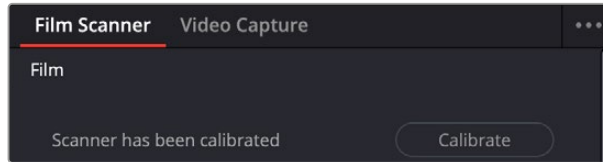
Negatif filminden medya havuzuna klipler taramak için Cintel Scanner modundayken, medya sayfası görüntüleyicinin sağ tarafında aşağıdaki ayar grupları görünür.

Film Kontrolleri

Film kontrolleri; tarayıcının optiklerini kalibre etmek, film türünü seçmek, kare hizalamasını, tarama hızını ve makara sarım yönünü ayarlamak, makara türünü seçmek ve netlik yardımı özelliğini açmak veya kapatmak için seçenekler sunar.

Kalibrasyon

Bu seçenek, optik lekeleri veya çıkarılmayan tozları ortadan kaldırmak için, tarayıcının optiklerini kalibre etmenizi sağlar. Lütfen, bu özelliğin filmin üzerinde bulunan tozları kaldırmayacağını unutmayın.



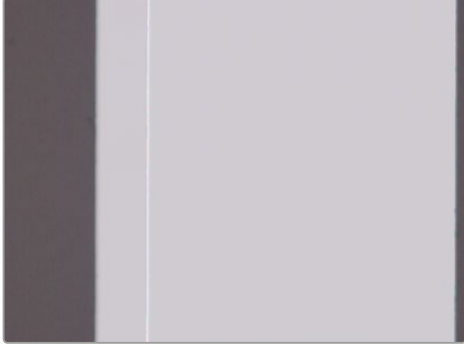
“Calibrate” olarak etiketli kalibre et butonu; Cintel tarayıcının optiklerindeki toz veya küçük lekeleri kaldırmaya yardımcı olması için kullanılabilir.

Yeni bir film taramadan önce, toz temizleme spreyi ile optiklerdeki tozu temizlemeniz önerilmesine rağmen, optiklerdeki bazı lekelerin zaman içinde çıkarılmaz hale gelmesi mümkündür. Bu gibi durumlarda, “calibrate” butonunun kullanılması, bu lekelerin taranan görüntüde olmalarını engeller.

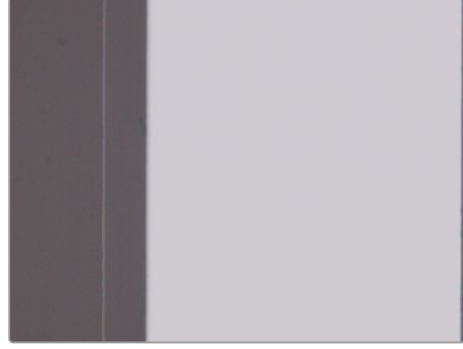
Optikleri, kızak plakası takılı iken ve doğru olarak hizalı iken kalibre edin, çünkü bu, görüntü sabitlemeye yardımcı olur ve en iyi görüntü kalitesini sağlar.

Küçük ölçülü film türlerini desteklemek için, kalibrasyon butonu takılı film yuvasını da analiz eder ve kaydedilen görüntüyü bir veri referansına ayarlar. Buna izin vermek için ve azami performansı sağlamak üzere kalibrasyon işlemi, film yuvasında film olmadan her yuva değişiminde yapılması gerekir.

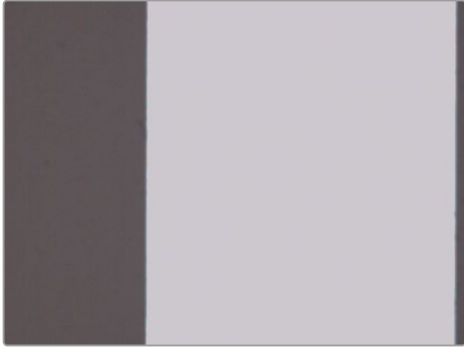
8mm film yuvasını kullanıyorsanız ve ışık deliği örtücülerini farklı bir 8mm film ölçüsüne geçmek üzere ayarladıysanız, bir önceki kalibrasyonun "hayalet görüntüsünü" önlemek için kalibrasyon işlemi tekrarlamanız gerekir.



Yanlış kalibrasyon; Standart 8mm kalibrasyonlu bir Süper 8mm filmi göstermektedir.



Yanlış kalibrasyon; Süper 8mm kalibrasyonlu bir Standart 8mm filmi göstermektedir.

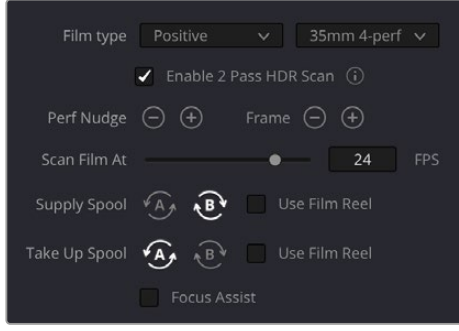


Standart 8mm filmin doğru kalibrasyonu

Film Türü

Taramakta olduğunuz filmin türünü seçmenizi sağlar. Renkli ve siyah beyaz film için seçenekler; pozitif, negatif, interpozitif ve internegatiftir. HDR tarama, tüm bu film türleri için geliştirme sunar. 2, 3 ve 4 perforeli 35mm, 16mm, Süper 8mm ve 8mm seçenekleri arasından taramakta olduğunuz film türünü seçin. Tarayıcı; filmin 35mm, 16mm veya 8mm olduğunu otomatik olarak tespit eder. 8mm tarama için, Süper 8mm varsayılan değer olarak ayarlanmıştır. Normal 8mm film tararken, tarayıcınızı manuel olarak o film türüne göre ayarlamanız gerekir.

Cintel Scanner ve Cintel Scanner G2'de interpozitif ve internegatif film tararken, filmin artırılmış yoğunluğu, ışık kaynağından biraz daha uzatılmış atım süreleri gerektirir. Normalde bu taramayı etkilemez ancak, saniyede 12 kareden daha yüksek hızda tarama yaparken, çözünürlükte hafif bir azalma meydana gelebilir. Çözünürlükte bir farklılık dikkatinizi çekerse, tarama hızınızı saniyede 12 kare veya daha altına düşürmeniz yeterli olacaktır.



Medya sayfasındaki film türü kontrolleri

Enable 2 Pass HDR Scan (iki geçişli HDR taramayı etkinleştir)

Yüksek dinamik aralıklı çok geçişli taramayla görüntü kaydını etkinleştirir. Geniş dinamik aralığa sahip bir kare üzerinde “otomatik siyah” veya “otomatik beyaz” ayarı yapmak önemlidir, çünkü yüksek ve normal pozlama seviyeleri, seçtiğiniz film karesinden belirlenir.

Perf Nudge (Perforasyon Ayarı)

Tarayıcı film yuvasının diyafram açıklığına bağlı olarak, perforasyon konumuna ince ayarlamalar yapmak için kullanılır. Command-J tuşları, konumu yukarı yönde itelerken, Command-L tuşları aşağı doğru kaydırır.

Frame (Kare)

Bu butonları aktif hale getirmek için, basılı tutmanız gerekir. Aktif haldeyken, kareyi aşağı veya yukarı hareket ettirmek için, film yavaşça ilerler ve buton bırakıldığında, film bulunduğu yerde durur. Bu, film karesini tarayıcının algılayıcısıyla hizalandırmak için faydalıdır. Görüntüdeki film karesini, “perf nudge” ve “frame” butonlarını kullanarak bir önceki karenin alt kısmı ve bir sonraki karenin üst kısmı görüntüleyicinin alt ve üst kısmında biraz görünür olacak ve mevcut kare dikey olarak ekranda ortalanmış şekilde hizalamanız gerekir.

Bu işlemi yaparken, ekrandaki görüntünün yakınlaştırılmadığından emin olmanız önemlidir. Klavyenizde Command-Sol Ok tuşları, kareyi yukarı hareket ettirirken, Command-Sağ Ok tuşları ise kareyi aşağı hareket ettirir.

Scan Speed (Tarama Hızı)

Disk performansı yeterli olduğunda, saniyede 30 kare hızda tarama yapabilmemiz gerekir. Ancak, taramanızı yavaş bir sabit diske yapıyorsanız tarama hızını, bilgisayarınızın kare düşürmeden yapabileceği uygun bir hıza azaltabilirsiniz.

Supply Spool (Besleme Makarası)

Sol taraftaki besleme makarasının sarış yönünü ayarlar. Otomatik tespit yanlış çalışmayı engellese de her bir film makarasının sarılışına bağlı olarak, makara sarış yönünü elle ayarlamanız tavsiye edilir.

Take Up Spool (Toplama Makarası)

Sağ taraftaki toplama makarasının sarış yönünü ayarlar. Otomatik tespit yanlış çalışmayı engellese de her bir film makarasının sarılışına bağlı olarak, makara sarış yönünü elle ayarlamanız tavsiye edilir.

Use Film Reel (Film Makarasını Kullan)

Küçük film makaralarının, büyük film makaralarına nazaran farklı ağırlığı ve ataleti vardır ve bu aktarım sistemini etkileyebilir. Bu kutuyu, küçük film makaraların dengesini iyileştiren ayarlara değiştirmek için işaretleyin.

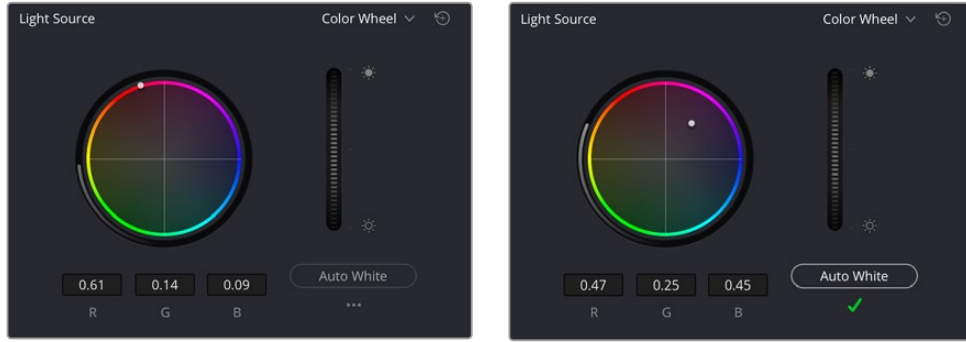
Focus Assist (Netlik Yardımı)

Tarayıcınızın HDMI ekran çıkışında ve DaVinci Resolve'nin film tarayıcı panelindeki görüntüleyicide, "luminance peaking" ismindeki parlaklık seviyesi özelliğini etkinleştirir. Bu da en uygun netlik ayarlarını elde etmenizi kolaylaştırır.

Işık Kaynağının Ayarlanması

Bu kontroller, Cintel Scanner'ınızın ışık kaynağını, en uygun asgari yoğunluğunu kalibre edecek şekilde Dmin değerini ayarlamanızı sağlar. Asgari yoğunluk anlamındaki Dmin, taranan minimum değer ile taranan malzemenin renk sıcaklığının toplamıdır. Işık kaynağı ayarlarının doğru şekilde yapılması, taramaların en iyi kalitede yapılmasını ve tarama işlemi sırasında görüntü verilerinin kırılmadığından emin olmanızı sağlar. Film değiştirirken, taramanızın kalitesinden emin olmak için ışık kaynağı ayarlarınızı kontrol etmeniz iyi olur.

Işık kaynağınızı en iyi değerlerine ayarlamanıza yardım etmesi için, DaVinci Resolve'deki dahili yazılım skoplarını kullanın. Skoplar; Media sayfasındaki Workspace (çalışma alanı) > Video Scopes (video skopları) > On (açık) komutları seçilerek açılabilir.



Sol taraftaki ışık kaynağı kontrolleri, ışık kaynağının varsayılan kalibre edilmemiş durumunu ve sağ taraftakiler kalibrasyon başarılı olduğundaki durumunu göstermektedir

Işık Kaynağı Ana Tekerini

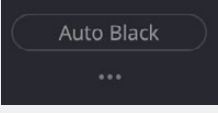
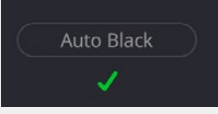
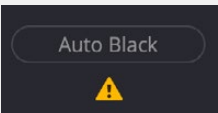
Dikey ışık kaynağı ana tekerini, renk tekerinin yanında bulunur ve filmi ışıklandırmak için kullanılan ışık kaynağının şiddetini ayarlayarak, RGB kanallarını aynı anda yükseltir veya azaltır. Tipik negatif filmler için, film görüntüsündeki en karanlık bölüm olan siyah noktasını ayarlamanızı sağlar. Negatif filmlerde, bu aslında film görüntüsünün parlak bölümlerine karşılık gelir. Video skopların histogramında ölçüldüğü gibi ışık şiddetini, tipik Dmin değeri olan 95'in hemen üzerinde olacak şekilde ayarlayın. Bu, Cineon-tarzı bir LOG dönüştürme nedeniyle, parlak bölgelerin kırılmamasını garantiler. Pozitif film için, sinyalin hiçbir bölümünün kırılmamasını sağlayacak şekilde, ana tekerini ayarlayın.

Auto Black (Otomatik Siyah) ve Auto White (Otomatik Beyaz) Butonu

Görüntüleyicide gösterilen mevcut kareyi analiz eder ve kadrajlama çizgisi alanını kullanarak, siyah noktasını negatif veya ara negatif için ayarlamak üzere otomatik bir düzeltme yapar. Tarayıcı, baskı ve ara pozitif film için beyaz noktasını ayarlamak üzere görüntü dahilindeki en parlak alanı kullandığından, kare seçimi önemlidir. Alternatif olarak, pozitif film türleri için, sonraki tüm karelerin uyumlu olmasını sağlamak üzere maksimum beyaz için delikli bir kare kullanabilirsiniz. Pozitif filmler için, "auto black" (otomatik siyah) butonu, "auto white" (otomatik beyaz) butonuna dönüşür.

Işık Kaynağı Durum Göstergeleri

“Auto” butonunun altındaki bu göstergeler, otomatik siyah veya otomatik beyaz ışık kaynağı kalibrasyonunun başarılı olup olmadığını veya ele alınması gereken hususlar olup olmadığını bildirir. Ayrıca, en yüksek kalitede taramalar sağlamak üzere LED ışık kaynağının yeniden kalibre edilmesini hatırlatmak için de faydalıdır.

	Işık kaynağı kalibrasyonu henüz gerçekleştirilmedi.
	Işık kaynağı kalibrasyonu başarıyla gerçekleştirildi.
	Işık kaynağı kalibrasyonu başarısız oldu. Doğru film türünün seçildiğini, ışık yolunun engellenmediğini ve uygun bir referans karesinin seçildiğini teyit edin. Gerekirse, filmi ileri almayı ve alternatif bir referans kare seçmeyi deneyin.
	Işık kaynağı kalibrasyonu, renkleri başarılı bir şekilde dengelenmiş ancak dengeleme istenen seviyelerde değil. Çözüm olarak, renk dengesi yapılmış taramayı kabul edebilir ve DaVinci Resolve'nin renk sayfasında görüntüyü en uygun hale getirebilir veya kalibrasyon için daha geniş bir dinamik aralığa sahip, alternatif bir referans kare seçebilirsiniz.

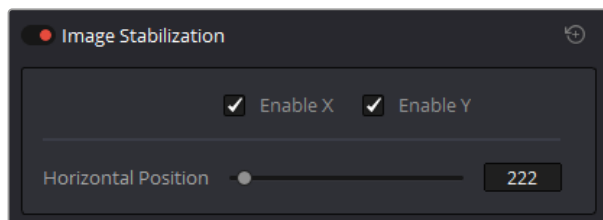
RGB Kontrolleri

Fabrika ayarı olarak, bir renk dengesi kontrolü, filmi ışıklandırmak için kullanılan ışık kaynağının renk sıcaklığını değiştirmek üzere üç renk kanalını da değişen miktarlarda ayarlamanıza imkan verirken, ayarlanan R, G ve B değerleri, alttaki üç alanda gösterilir. İsteğinize göre, “light source” etiketli ışık kaynağı başlık çubuğunun sağında bulunan açılır mod penceresini kullanarak ve “color bars” isimindeki renk çubukları sekmesini seçerek, bu kontrolü “renk çubukları” moduna dönüştürmeyi seçebilirsiniz. Bu işlem, bu kontrolü kırmızı, yeşil ve mavi olarak üç dikey renk kanalı sürgüsüne dönüştürür.

NOT Işık kaynağı kalibrasyonu, film rulolarını değiştirdiğinizde kaydedilir. Böylelikle hem SDR hem de HDR modlarında, tek ışık kaynağı kalibrasyonu ile birden fazla film rulosunu taramanıza imkan tanır. Yeni bir kalibrasyon yapılanaya kadar veya Cintel Scanner'iniz kapatılıp açılana kadar, en son yapılan ışık kaynağı kalibrasyonu saklanır.

Image Stabilization (Görüntü Sabitleme)

Bu kontroller, görüntü sabitlemeyi etkinleştirmenizi ve etkisiz hale getirmenizi sağlamanın yanı sıra dikey film sıçramasının ve yatay yalpalanmanın önüne geçmek için görüntü sabitlemeyi kontrol etmenize de imkan verir.



Medya sayfasındaki Görüntü Sabitleme kontrolleri

Görüntü Sabitleme Etkin/Etkisiz Kontrolü

“Image stabilization” başlık çubuğunun solundaki nokta, tarayıcınızın donanım-tabanlı görüntü sabitleme özelliğini, tamamen etkinleştirmenizi veya etkisiz hale getirmenizi sağlar. Genellikle perforasyonların kalitesi yüksek olduğunda tercih edilen donanım sabitlemeyi, perforasyonların durumu kötü olduğunda ve DaVinci'nin yazılım tabanlı sabitlemesini kullanmaya karar verdiğinizde kapatmanız gerekir.

Görüntü sabitleme etkinleştirildiğinde, sabitleme için referans olarak kullanılacak film perforesinin kenarını vurgulayan yatay bir X eksen tespit katmanı, görüntüleyicide görüntülenir. Bu katman, kayıt esnasında otomatik olarak gizlenir. Görüntü sabitleme, varsayılan ayar olarak aktif haldedir.

Enable X ve Y Onay Kutuları

“Enable X” ve “Enable Y” kutuları; yuvadaki yatay yalpalanmayı ve dikey sıçramayı sırasıyla düzeltmek için, donanımdaki görüntü sabitlemeyi kullanıp kullanmayacağınızı seçmenize imkan tanır. Her iki eksen aktif olduğu halde sonuçlar tatmin edici değilse sabitleme sorununa neden olan eksen kapatabilir ve bunun yerine, DaVinci Resolve'nin yazılım tabanlı görüntü sabitleme araçlarını kullanabilirsiniz.

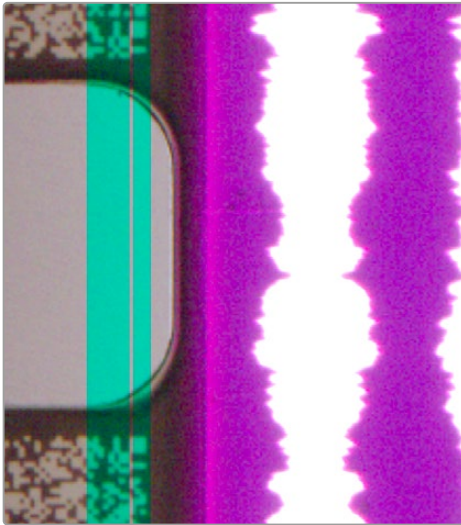
Horizontal Position (Yatay Konum) Sürgüsü

Cintel tarayıcınız; en iyi sabitlemeyi elde etmek için, şu anda yüklü bulunan karede gösterilen perforeyi referans alarak, sabitleme tespit katmanını en iyi konuma otomatik olarak yerleştirmeye çalışır.

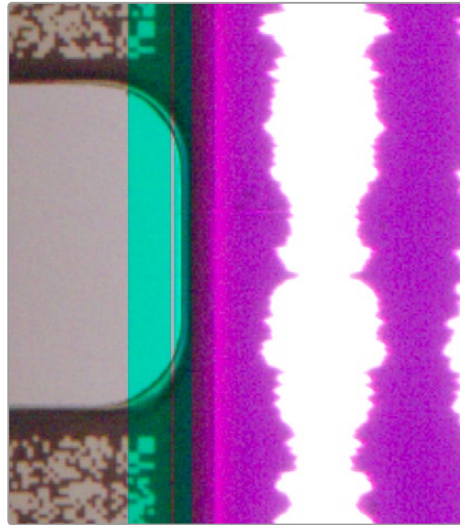
Mavi hizalama katmanında, ince şeffaf bir çizgi fark edeceksiniz. En iyi sabitleme için, bu çizgi perforelerin kenarlarına dokunmalıdır. Otomatik konumlandırma istenilen sonucu vermediği durumlarda, katmanı daha uygun bir konuma elle getirebilirsiniz. Bunu ya görüntüleyicide fare ile sürükleyerek ya da yatay sürgüyü kullanarak yapabilirsiniz.

Sabitleme katmanının en uygun şekilde konumlandırılması, örnek resimde gösterildiği gibi, hizalama katmanındaki şeffaf çizgiyi perforelerin kenarına yerleştirmekle elde edilir. Katmanın doğru olarak yerleştirilmesi, X eksen boyunca yuva yalpalanması (gate weave) için donanıma dayalı sabitlemeyi aktif hale getirir.

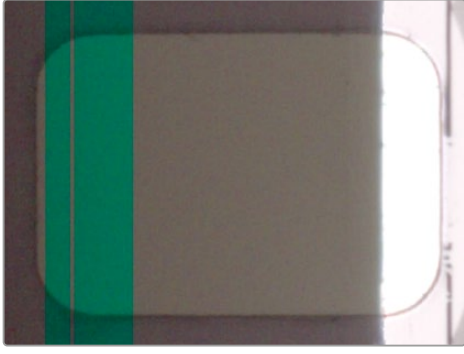
‘Y eksenini etkinleştir’ (enable y) onay kutusunu seçtiğinizde, görüntü sabitleme dikey yuva sıçramasını otomatik olarak idare eder. Bundan başka düzeltme gerekmez ve yatay sabitleme ile birlikte çalışır.



Yanlış 35 mm film konumu. Sabitleme katmanı yatay konumunun ayarlanması. Katman, film üzerindeki perforasyonun kenarıyla hizalı değil.



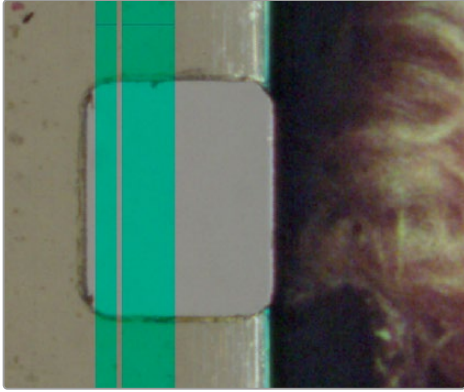
Doğru 35 mm film konumu. Görüntüleyicide, donanım sabitleme kontrolü bir perforasyonun üzerine doğru bir şekilde yerleştirilmiş. Sabitleme katmanındaki şeffaf şerit, perforenin kenarına dokunuyor.



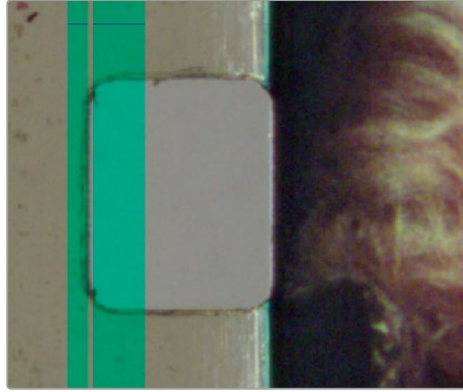
Yanlış 16 mm film konumu. Katman, film üzerindeki perforasyonun kenarıyla hizalı değil. 16mm'lik HDR kaydırma plakasının takılmasıyla, film görüntüsüne engel olmamak ve yatay stabiliteyi artırmak için, sabitleyici otomatik olarak film perforasyonunun diğer tarafında hizalanır. HDR olmayan 16mm'lik bir kaydırma plakası kullanırken, aynı 35mm'lik kaydırma plakası gibi çalışır.



Doğru 35 mm film konumu. Görüntünün içeriğinden etkilenmediğinden, sabitleme katmanı için varsayılan hizalama konumu perforasyonun sol kenarıdır. Sabitleme katmanındaki şeffaf şerit, perforasyonun kenarına doğru bir şekilde dokunuyor.



Yanlış 8mm film konumu. Katman, film üzerindeki perforasyonun kenarıyla hizalı değil.



Doğru 8mm film konumu. Sabitleme katmanı için varsayılan hizalama konumu perforasyonun sol kenarıdır çünkü görüntünün içeriğinden etkilenmez. Sabitleme katmanındaki şeffaf şerit, perforasyonun kenarına doğru bir şekilde dokunuyor.

Görüntü kaydetmeye başlamadan önce sabitleme ayarlarınızı yakından kontrol etmek için görüntüleyiciyi tam çözünürlüğe ayarlayın ve ince ayar yapmak üzere perforasyon bölgesine zoom yapın. Görüntüleyicinin sağ üst köşesindeki seçenek ayarlarını tıklayın ve menüdeki “full resolution preview” ibareli “full çözünürlükte önizleme”yi seçin, görüntüleyicinin sol üst köşesindeki yakınlaştırma ölçeğini tıklayarak “%100”ü seçin. Bu ayar sabitleme özelliğini etkilemez, ama mümkün olan en iyi önizlemeyi etkinleştirir, böylelikle sabitlemenin ne kadar iyi çalıştığını izleyebilirsiniz.

Full çözünürlükte önizleme, GPU'ya çok yüklenir ve kare gecikmesiyle sonuçlanabilir. Sabitlemeyi kontrol ettikten sonra, en iyi performans için full çözünürlüğü kapatın. Katman konumunun klip ayarlarında değil proje ayarlarında kaydedileceğini belirtmekte fayda var, dolayısıyla çok sayıda makaranın tek tek ayarlanması gerekebilir.

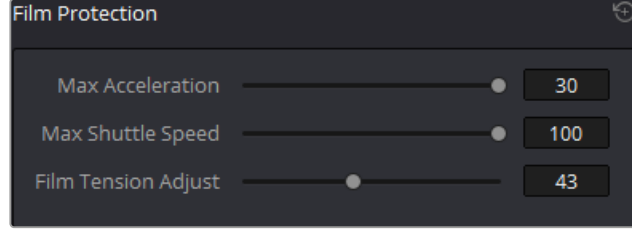
Belirli bir film türü için algılama katmanını varsayılan konumuna geri getirmek için “stabilization pane reset” ibareli stabilizasyon çerçevesi sıfırlama butonunu kullanabilirsiniz.

Audio and Synchronization (Ses ve Senkronizasyon)

“Ses ve Senkronizasyon” paleti, isteğe bağlı olan Cintel Audio and KeyCode Reader için ayarlara sahiptir. Daha fazla bilgi için bu kullanım kılavuzundaki “İsteğe Bağlı Audio and KeyCode Reader” bölümüne bakın.

Film Protection (Film Koruma)

Bu kontroller, Cintel Scanner'ın hassas filmleri nazikçe işlemlerini sağlamak için tasarlanmıştır. Hızlı ivme ve hızlı oynatım hızları, arşivsel görüntüler için zorlu olabilir, bu yüzden eski filmlerin taramasını yaparken, bu sürgülerin her ikisini de varsayılan konumlarından biraz daha aşağı çekmeniz tavsiye edilir.



Eski, kolay kırılabilen arşiv filmlerini tararken, "Acceleration" ve "Shuttle Speed" isimli hızlandırma ve oynatım hızı sürgülerinin düşürülmeleri gerekir.

NOT "Film tension adjust" etiketli film gerginlik ayarı sürgüsü, dişliye sahip Cintel tarayıcılar kullanılırken görüntülenir.

Max Acceleration (Azami Hızlandırma)

Hızdaki azami değişiminin, saniyede 5fps ile 30fps arasında artmasını veya azalmasını ayarlar.

Max Shuttle Speed (Hızlı Sarım Azami Hızı)

Filmin bir bölümünden diğer bölümüne hızlı sarımın hızını; 35mm'lik film için, saniyede 1 ile 100 kare arasında ve 16mm'lik film için, saniyede 1 ile 200 kare arasında değiştirir.

Film Tension Adjust (Film Gerginlik Ayarı)

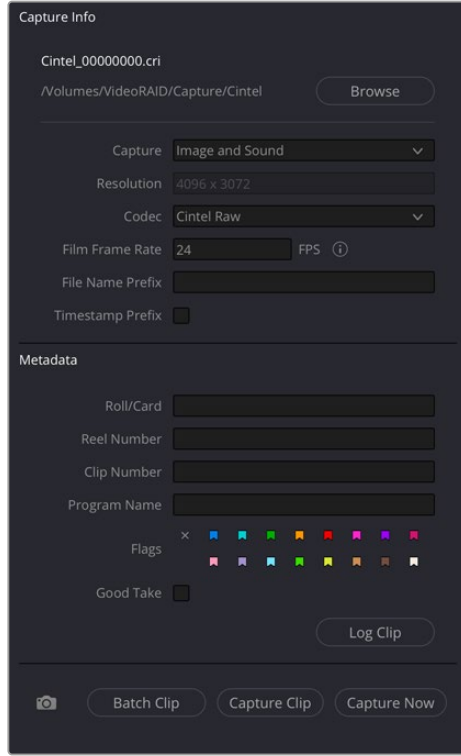
Cintel Scanner'inizin dişli çarkları varsa bu ayar, 35mm'lik filme uygulanan gerginliği ayarlamanıza imkan verir. Örneğin; hassas bir arşiv filmi yüklerken veya film çekme payını telafi ederken. Film Tension Adjust (Film Gerginlik Ayarı) ayarı ile, filme hasar vermeniz mümkün değildir. Ayarlama değerleri çok küçüktür ve dişli toplamasını önlemek için gereken, sadece hafif değişikliklerdir.

Cintel Scanner'inizde döndürücü miller varsa dişli delmesi meydana gelmediğinden, bu ayar etkisizdir ya da yoktur.

Kayıt Bilgilerini ve Metaverileri Düzenleme

DaVinci Resolve, Cintel Scanner ile beraber kullanıldığında, DaVinci Resolve'nin film tarayıcı panelinin alt tarafında, bir dizi kayıt metaveri alanı görünür. "Capture info" isimli kayıt bilgisi panelinde; dosyaların nereye kaydedileceği, kodek türü, kare hızı ve dosya isimlerinin formatı gibi kayıt özelliklerini tanımlayan, düzenlenebilir metaveri alanları bulunur. Bu metaveriler kliplerinize eklenir ve medya sayfasında okunabilir.

Tarama işlemine başlamadan önce, bazı proje ayarlarını düzenlemek isteyebilirsiniz.



Kayıt bilgi paneli, taranan klipleriniz için metaveriyi belirlemenizi sağlar.

Capture Location (Kayıt Konumu)

Bir film tarama seansına başlamadan önce, taranan görüntülerin istediğiniz klasör ve disk bölümüne kaydedildiğinden emin olmak için, DaVinci Resolve'nin film tarayıcı panelinin 'capture info' bölümüne gidiniz. 'Browse' (göz atma) butonunu tıklayın ve dosya hedef penceresinden bir konum seçin. Bu basamağı unutmak kolay olduğu için, ilk önce yapılması iyidir.

Capture (Kayıt)

Bir Cintel Audio and KeyCode Reader takılı olduğunda, bu menü; 'image and sound' (görüntü ve ses) ve hiçbir görüntünün kaydedilmemesi için 'audio only' (sadece ses) seçeneklerini verir. Alternatif olarak, ses önemli değilse 'image only' seçeneği ile sadece görüntü kaydı yapabilirsiniz.

Resolution (Çözünürlük)

Yakalanan görüntü dosyalarının çözünürlüğü, kaynak film formatına bağlıdır, yani bu alan düzeltilemez.

Codec

DaVinci Resolve, kayıpsız sıkıştırma için varsayılan ayar olarak 'Cintel Raw' kodeğini seçer veya daha da küçük dosya boyutları için 'Cintel Raw 3:1' kodeğini seçebilirsiniz.

Film Frame Rate (Film Kare Hızı)

Filmin orijinalde çekildiği kare hızını belirleyin. DaVinci Resolve, zaman çizelgesi kare hızını bu değere göre otomatik olarak ayarlar. Bu ayarın, tarama kayıt veya oynatım hızlarıyla ilgisi yoktur.

Ses taramak için isteğe bağlı olan Audio and KeyCode Reader aksesuarını kullanırken, genel örnekleme hızını (sample rate) 48kHz olarak muhafaza etmek için okuyucu, kare hızını otomatik olarak ayarlayacaktır. 16, 24, 25 ve 30 fps hızlar için zaman kodu çıkışı desteklenir ve diğer kare hızlarında zaman kodu sinyali çıkarılmaz.

File Name Prefix (Dosya adı ön eki)

Taramanın belirlenmesine yardımcı olması için kullanılan ön ek. Bu, taramakta olduğunuz filmin ismi gibi, projenizin ismi olabilir.

Timestamp Prefix (tarih bilgisi ön eki)

Belirlediğiniz dosya adı ön ekinin (file name prefix) yanı sıra, taramalarınıza ait bir tarih bilgisi ön eki koymak için, bu onay kutusunu tıklayın. Klipleriniz, hedef klasördeki bağımsız alt-klasörlere kaydedilecektir. Bu onay kutusu, varsayılan olarak seçilidir.

Tüm kliplerinizi, dosya isminde zaman kodu olmadan tek bir ana hedef klasörde kaydetmek istiyorsanız bu onay kutusundan seçimi kaldırmanız yeterlidir.

NOT Tarih bilgisi önekiyle kaydedilen görüntü isimlerini benzersiz yapmazsanız ve dosyalar aynı konuma giderse bu, dosyaların üzerine yazılmasına neden olabilir.

Roll/Card (Makara/Kart), Reel Number (Makara Numarası), Clip Number (Klip Numarası) ve Program Name (Program İsmi)

Bunlar, metaverili klipleri belirleme yollarıdır.

Flags (İşaret Bayrakları)

Klipleri etiketlemek için, bu renk kodlu işaret bayraklarını kullanabilirsiniz.

Good take (iyi çekim)

Medya havuzunda, daire içine alınmış metaveriye karşılık gelir.

Log Clip (Klip Ekleme)

Medya havuzuna bir klip ekler. Taramak istediğiniz bir bölüm için giriş (in) ve çıkış (out) noktalarını işaretledikten sonra, metaverinin doğru olduğunu onaylayın ve sonra 'log clip' (klip gir) ibaresini tıklayın. Daha fazla bilgi için, DaVinci Resolve kullanma kılavuzundaki 'Tek Kliplerin Girilmesi ve Kaydı' ve 'Birden Fazla Klbin Girilmesi ve Kaydı' bölümlerine bakın.

Batch Clip (Klipleri Grup Olarak Tara), Capture Clip (Klibi Kaydet), Capture Now (Şimdi Kaydet) ve Snapshot (Anlık Çekim)

Bu tarama butonları, klipleri yakalamak için farklı yöntemler sunar. Tarama butonları hakkında daha fazla bilgi için, bu kullanma kılavuzundaki 'Filmin Bir veya Daha Fazla Bölümünü Tarama' bölümüne bakın.

Film Tarama İş Akışları

Aşağıdaki bölümler, DaVinci Resolve'yi kullanarak filmi nasıl tarayacağınızı ve Cintel tarayıcıyı nasıl kontrol edeceğinizi açıklar. Bu bölüm boyunca, bir önceki bölümde özetlenen özellikler, tarama işlemlerinin her adımını uygulayacağınız sırayla gösterilir.

Başlamadan Önce

Tarayıcınızı açmadan ve filminizi yüklemeyen önce, taramalarınızın mümkün olduğu kadar temiz olmasını sağlamak için, yuvadaki tozu almanız gerekir. Bu, basınçlı hava kullanılarak başarılabilir fakat, yuva çok kirli ise daha kapsamlı temizleme için yuvayı çıkarabilirsiniz. Bu tamamlanır tamamlanmaz, Cintel Scanner'i çalıştırın, DaVinci Resolve'yi açın ve filmi taramak için kullanacağınız projeyi oluşturun ve sonra medya sayfasındaki 'Cintel scan' (Cintel tarama) butonunu tıklayın. Şimdi, DaVinci Resolve'nin film tarama panelini seçmek için, 'Film Scanner' sekmesini tıklayın.

Tarayıcıya filmi yüklemeyen veya başka herhangi bir şey yapmadan önce, film tarayıcı panelinin sol atındaki 'calibrate' (kalibre et) butonunu tıklayın. Yeni bir film makarasını yüklemeyen önce tarayıcının yuva tozununu her zaman almanız gerekirken, 'calibrate' butonunun tıklanması, tarayıcının optiklerindeki çıkarılmayan lekelerin, yapmak üzere olduğunuz taramaya geçmesini engeller.

Filmin Yüklenmesi ve Hizalanması

Taramak istediğiniz filmi yerleştirin. Bir görüntü olduğunu fark ettiğinde, tarayıcı otomatik olarak bir kareyi hizalandırır. Önce boş film ucunu yüklerseniz görüntünün yanlış kadrajlanabileceğini aklınızda tutun.

Sonra, film türünü seçin. Kadrajlama çizgisinin, tarayıcının sensörüyle hizasını manuel olarak iyileştirmek isterseniz, bir önceki karenin alt kısmının ve bir sonraki karenin üst kısmının görüntüleyicinin alt ve üst kısmında biraz görünmesi ve mevcut karenin, dikey olarak ortalanmış durumda olması için, gerektiğinde 'perf nudge' ve 'frame' butonlarını kullanın. Bunu yaptığınızda, görüntünün zoom ile görüntüleyicide yakınlaştırılmadığından emin olmanız önemlidir.

Tarayıcının Odak Ayarının Yapılması

Tıpkı bir kameradaki lensi odaklamanız gerektiği gibi, tarayıcının sensöründe yansıtılan film görüntüsünü de odaklamanız gerekecektir. Mükemmel bir netlik elde etmek için, DaVinci Resolve'nin film tarayıcı kayıt ayarlarındaki 'Focus Assist' (Odak Yardımı) onay kutusunu işaretleyin. Bu; tarayıcının HDMI çıkışından çıkartılan Ultra HD görüntü üzerine, bir odak yardımı katmanı bindirecektir ve DaVinci Resolve'nin kayıt penceresinde de görüntülenecektir. En iyi sonucu elde etmek için, Cintel tarayıcınıza bir Ultra HD ekran bağlayın böylelikle, odaklama yaparken mümkün olan en yüksek çözünürlükte görebilirsiniz.

Focus Assist açık iken, film düzlemi mükemmel bir şekilde odaklandığında, odak boyama özelliği, taranan görüntünün film grenini tespit edecektir. Bu, film görüntüsü odak dışında olduğunda bile, operatörün tarayıcıyı odaklamasını sağlar. Cintel tarayıcının netlik tekerini çevirirken, tarayıcının Ultra HD çıkışını takip edin. Görüntü boyunca devam eden gren, boyanmış anahatlar gösterdiğinde görüntünüz odaklanmıştır.

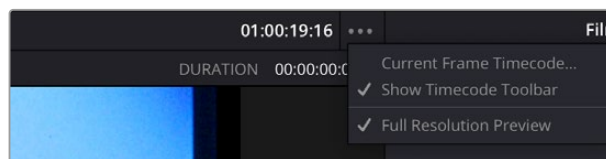
Yaptığınız odaksal düzeltmeleri, filminizin deliklerinin kenarlarını kontrol ederek teyit edebilirsiniz. Bunlar net olduğunda, filminiz odaklanmış olur.

Zaman Kodunun Sıfırlanması

Taramak üzere olduğunuz film makarası için zaman kodunu ayarlamak üzere, o makara için sıfır karesini bulmanız gereklidir. Bir makaradaki filmin ilk karesinden bir önceki kare içerisinde küçük bir delik açmak, o makara her tarandığında kalıcı bir referans olarak kullanması için standart bir uygulamadır. Buna; işaret karesi (marker frame), laboratuvar makara deliği (lab roll hole) veya kafa deliği (head punch) adı verilir. Zaman kodunun ilk karesini, daima işaret karesiyle eşlecek şekilde ayarlayarak, sonraki film taramalarının, daha önceki taramalar ile aynı kare sayımına sahip olmaları sağlanır. Bu da gerektiğinde aynı materyalin tekrar taranmasını ve tekrar uyumlu hale getirilmesini mümkün kılar.

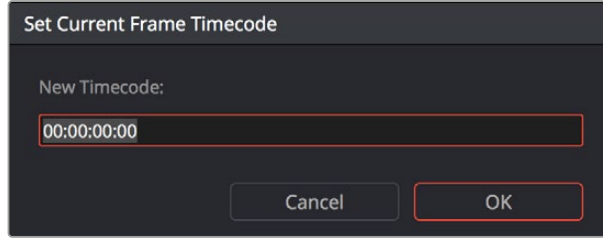
Taranan zaman kodunu yeni bir film makarasının işaret karesine sıfırlamak için:

- 1 İşaret karesini bulmak için, görüntüleyicinin altındaki aktarım kontrollerini kullanın.
- 2 'Viewer' (görüntüleyici) seçenek menüsünü tıklayın ve 'current frame timecode' (mevcut kare zaman kodu) ibaresini seçin.



Görüntüleyici seçenek menüsünden "Current Frame Timecode" ibareli geçerli karenin zaman kodunun seçilmesi

- 3 Ortaya çıkan dialog kutusuna bir zaman kodu değeri girin. Örneğin; bir projenin ilk makarasını tarıyorsanız 01:00:00:00 girebilirsiniz.



"Set Current Frame Timecode" etiketli geçerli karenin zaman kodunu ayarlama menü ekranı

- 4 İşlemi tamamladıktan sonra, 'OK' ibaresini tıklayın.

Zaman kodu negatif bir değer olamaz, yani başlangıç karesini sıfır olarak ayarlamayın. Bilindik diğer bir düzenleme tekniği de her makara değiştirdiğinizde film makarası numarası ile denk düşecek şekilde saat rakamını değiştirmektir. Bu da taranmış bir klibin, ilgili kaynak makara ve kare aralığı ile bağlantısının tespitini kolaylaştırır.

Gelecekte isteğinize bağlı donanımları eklemeniz için, Cintel Scanner tarayıcınızın dahili 'Options Interface' (Seçenekler Arabirim) portları vardır. Kamera negatifinden veya optik/manyetik sestten KeyKode okuma gibi, isteğe bağlı özellikleri ekleyebilmenizi sağlar. Daha fazla bilgi için 'İsteğe Bağlı Audio and KeyKode Reader' bölümüne bakın.

Taranan Kareleri Kaydetmek için bir Yer Seçimi

Tüm bunlar yapıldıktan sonra, DaVinci Resolve'nin film tarayıcı panelindeki 'capture info' (görüntü yakalama bilgisi) kontrollerine inin ve taranan dosyalar için bir konum belirlemek üzere 'browse' (göz at) butonunu tıklayın. Klasörlere ve taranan dosyaların isimlerine eklemek istediğiniz ön eki ayarlamak için, bu bölümdeki diğer kısımları kullanabilirsiniz. En üstte sayfa başlığında gösterilen dosya adı öngörünümünü, 'file name prefix' (dosya adı ön eki) günceller. Sayfa başlığı aynı zamanda; dosya yolunu, çözünürlüğünü, kare hızını, süreyi ve formatı görüntüler. Taranan medya ile bağlantılı olmasını istediğiniz; rulo, makara, klip ve program bilgilerini belirtin. 'Capture info' (kayıt bilgileri) kontrollerindeki 'timestamp prefix' (zaman bilgisi ön eki) onay kutusu, varsayılan ayar olarak seçilidir ve hedef klasörünün içindeki bağımsız alt klasörlere, dosya isminde zaman bilgisi ön eki ile beraber kliplerinizi kaydedecektir.

Tüm kliplerinizi, tek bir ana hedef klasörde beraber kaydetmek istiyorsanız bu onay kutusundan seçimi kaldırmanız yeterlidir.

Bir HDR klip görüntüsü yakaladığınızda, tarayıcı bir yüksek pozlama taraması tamamlar ve bunu, standart taramanın bulunduğu aynı klasörün içinde . HDR isimli gizli bir klasöre kaydeder. . HDR klasörünü silerseniz depolama medyasında yeniledikten ve medya havuzuna tekrar aldıktan sonra, tarama normal bir klibe dönüşür. Normal bir CRI klibine kolaylıkla dönüştürebildiğiniz için, taramanın HDR bölümünde bir sorun olduğu zaman, bu çok faydalıdır.

Kodeğin Kontrol Edilmesi

DaVinci Resolve, varsayılan ayar olarak 'Cintel Raw' kodeğini seçer veya 'Cintel Raw 3:1'i seçebilirsiniz.

Cintel Raw Formatı

Cintel tarayıcınızın algılayıcısı ile taranan her bir film karesinin Cintel Raw Format Bayer deseni, gömülü tarayıcı metaverisi ile beraber, 12-bit doğrusal Cintel Raw Image (Cintel Ham Görüntü) veya CRI görüntü dizisi olarak kaydedilir. DaVinci Resolve'de renk derecelendirmesi yaparken, CRI görüntüler, 12-bit logaritma kodlu görüntü verisi olarak otomatikman debayer işlemine tabi tutulur.

Logaritmik kodlama, Cineon kodlamaya benzer, ama aynısı değildir. Örneğin, negatif film, yoğunluk için 2.046'lık bir Gama kullanılarak kodlanırken, baskı film (print film) hiçbir görüntü verisinin kırılmaması için, tam aralıklı Gama 2.2 eğrisi kullanılarak kodlanır. Kullanmayı istediğiniz başka renk alanlarına çevirmeden önce, bu logaritmik kodlamanın her ikisi de 'Cintel to Linear' 1D LUT'u kullanılarak doğrusal bir renk alanına dönüştürülebilir.

Optik ses için ses dalga şeklini muhafaza etmek ve dengeleme için perfore görüntünlüğünü sağlamak üzere 4096x3072'lik tam sensör açıklığı kullanılarak film taranır. Sonrasında görüntü kırılır ve yakalanan görüntü dosyalarının çözünürlüğü, perforeler ve ses bölgesi için yapılan geniş tarama (overscan) kaldırıldıktan sonra, kaynak filmin formatına bağlıdır. Farklı film tipleri için tarama çözünürlükleri hakkında daha fazla bilgi için 'özellikler' bölümüne bakın.

Cintel tarayıcı, varsayılan ayar olarak, değişken bit hızlı kayıpsız sıkıştırılmalı Cintel Raw dosyaları oluşturur. Bu, görsel olarak kayıpsız sıkıştırımdır ve görüntünün içeriğine bağlı olarak, dosya büyüklüğünde yaklaşık 3:2 azaltma gerçekleştirir. Ancak, Cintel Raw 3:1, yaklaşık 3:1'lik oranda kayıplı sıkıştırma kullanır. Bu, hala çok yüksek kalitelidir, ama her zaman görsel olarak kayıpsız olmayabilir. Örneğin; 35mm'lik 4 perforeli film için dosyaların büyüklüğü, Cintel Raw ile yaklaşık 12.5MB'dir ve Cintel Raw 3:1 ile yaklaşık 6.3MB'dir. 16mm'lik film için dosyaların büyüklüğü, Cintel Raw ile yaklaşık 4MB'dir ve Cintel Raw 3:1 ile yaklaşık 2MB'dir.

CinemaDNG Kalite Ayarları

CRI dosyalarının kalitesini kontrol etmek için, proje ayarlarının 'Camera Raw' panelinde bulunan, 'decode quality' (kod çözme kalitesi) ve 'play quality' (oyunlatma kalitesi) CinemaDNG ayarlarını kullanın. Bu ayarlar, fabrika ayarı olarak 'full' yani maksimum değerdedir. Düşük işlemcisi veya bellek kaynağı olan bilgisayarlarda, bu ayarlar düşürülebilir fakat, en son alınacak çıktının kalitesini etkileyecektir.

Timeline Çözünürlüğünün Ayarlanması

DaVinci Resolve, timeline ile aynı çözünürlüğü kullanarak, tarayıcıdan çıktıları alır ve görüntüler. Örneğin; 35mm'lik 4 perforeli filme azami çözünürlük vermek üzere, 4096x3072'lik özel bir çözünürlük gerekli olacaktır.

NOT Arzu edilen Ultra HD çıktı ile zaman çizelgeniz HDR için ayarlanmışsa, bir çözünürlük kaybı yaşanabilir.

Tüm film ölçüleri için kırılmış görüntü alanı çözünürlükleri hakkında daha fazla bilgi için, 'özellikler' bölümündeki 'etkili çözünürlükler' kısmına bakın. Bunun yerine, yakalanan klipin tam yerel çözünürlüğü için, DaVinci Resolve'de 'clips attributes' (klip özellikleri) bölümüne bakın.

Tarayıcı Renginin Ayarlanması

DaVinci Resolve'nin film tarayıcı paneli, tarama için filmi ışıklandırmak üzere kullanılan ışığın renk ısısı ve pozlaması üzerinde, size tam kontrol sağlar. Her bir kareden çıkardığınız bilgiyi azamiye çıkarırken, görüntünün herhangi bir bölümünün telafi edilemez bir şekilde kırılmasını engellemek için, bunları ışık kaynağı ana tekeri ve RGB kontrolleri üzerinden ayarlayabilirsiniz. CRI'nin ham görüntü formatı olduğu doğru olmakla beraber, DaVinci tarafından kullanılan dahili data aralığının ötesinde bölge yoktur. Bu yüzden, tarama esnasında dahili video skopları içinde veriyi kırıpıyorsanız, taranan medyada da bunun kalıcı bir şekilde kırılabilceğini hatırlınızda tutun.

Taranan çekimlerin renk ve pozlamasını ne sıklıkta ayarlayacağınız, belli bir film rulusunda olan sahnelerin çeşitliliğine bağlıdır. Örneğin; bazı rulolarda, aynı sahnenin birçok denemesi olabilir ve bunların hepsinin ışıklandırması aynıdır ve aynı ayarlamaları paylaşabilirler.

Bu arada, diğer rulolarda, her biri farklı ışıklandırmalı farklı sahne çeşitleri olabilir. Bu da kaliteyi artırmak için taranan her klip için ayrı ayarlamalar yapmanızı gerektirebilir.

Işık kaynağı ana tekeri ve RGB kontrolleri, 'log and capture' (sırala ve yakala) iş akışlarında taranan kliplerin arasında otomatik olarak değiştirilemediğinden, bu önemlidir. Bunun anlamı; o ayarları siz manuel olarak tekrar değiştirene kadar, mevcut ışık kaynağı ayarları, taradığınız tüm klipler için kullanılacaktır, hatta bir film rulusunun farklı bölümlerinden sıraladığınız klipler için bile, bu geçerlidir. Bunun anlamı; log and capture tarzı çalışmanın, sadece aynı ışık kaynağı ana tekeri ve RGB kontrolü ayarlarını paylaşan çoklu klipleri sıralamanın mantıklı olacağı durumlarda, tavsiye edilebilmiştir.

Aksi takdirde, bitirme için maksimum görüntü kalitesine ihtiyacınız olduğu durumlarda, ışıklandırma ayarlamalarını, taradığınız her klip için tek tek yapmanız tavsiye edilir. Bu ayarlamaların amacının, taramalardan gelen görüntü verisini artırmak olduğunu, klipler için nihai görünüm oluşturmak olmadığını unutmayın. Bunu, 'color' (renk) sayfasındaki kontrolleri kullanarak, sonra derecelendirme safhasında gerçekleştireceksiniz.

Işık kaynağı ayarlarını düzenlemek için, rulunun o bölümü için veya tarayacağınız görüntülerin ilk sırasından tipik bir görüntü bulun ve dahili video skoplarını görüntülerken ışık kaynağını ayarlayın.

R, G ve B kanallarının hepsinin seviyelerini aynı anda yükselterek veya azaltarak, filmi ışıklandırmak için kullanılan ışık kaynağının şiddetini düzenlemek üzere, ışık kaynağı ana tekerini ayarlayın. Bu, tipik bir kamera negatif için, film görüntüsünün siyah noktasını ayarlamanızı sağlar. Negatif bir baskıda, görüntünün en karanlık parçası, film görüntüsünün parlak bölümlerine karşılık gelir. Video skopların histogramında ölçüldüğü gibi, tipik Dmin değeri olan 95'in hemen üzerinde olacak şekilde, ışık kaynağı ana tekerini ayarlayın. Bu, CRI görüntüyü derecelendirmek üzere, debayer işlemi için DaVinci'nin kullandığı Cineon tarzı bir LOG dönüşümü tarafından parlak bölgelerin kırılmasının önlenmesini garantiler. Pozitif film için, sinyaldeki parlak alanların ve gölgelerin hiçbir bölümünün kırılmaması için, ışık kaynağı seviyesini manuel olarak ayarlayın. Bu, genellikle 10 bit için 1000 ve 12 bit için 4000'dir.

Dalga şekli, RGB parade veya histogram skoplarında, 'show reference levels' seçeneğini açarak referans seviyelerini gösterebilir ve dijital Dmin değeri olan 95'i göstermek üzere, 'low' (düşük) olarak ayarlayabilirsiniz.

Bu yapıldıktan sonra, tarama sonucunda en kullanışlı veya doğal renk dengesini oluşturmak amacıyla, filmi ışıklandırmak için kullanılan ışık kaynağının renk ısısını değiştirmek üzere, üç renk kanalının hepsini yeniden dengelemek için RGB kontrollerini farklı miktarlarda düzenleyin.

Filmin Bir veya Daha Fazla Bölümünün Taranması

Işık kaynağını ayarladıktan sonra, düzenli kalmakta yarar vardır çünkü, ilgili metaverinin tamamını metadata düzenleyiciye girerek her bir klibi tarayabilirsiniz. Metadata alanlarının 'capture info' (görüntü kayıt bilgisi) grubu; dosya adı ön ekini, ruloyu, makara numarasını, klip numarasını, program ismini, işaret bayraklarını ve belli bir denemenin iyi olup olmadığını tanımlamak üzere bilgiler içerir. Bir klibi taramadan önce bu alanları doldurursanız bu metadata, klibe yazılacaktır.

'Capture info' (görüntü kayıt bilgileri) panelinin altında, film taramak için dört buton göreceksiniz.

Bunların hepsi yapıldıktan sonra, filmi dört yoldan birisini kullanarak tarayabilirsiniz:

Capture Now (Şimdi Kaydet)

Bir makaranın uzun bölümlerini bir kerede kaydetmek için, 'capture now' butonunu kullanın.

'Capture now' butonunun tıklanması, taramayı şu anki karenin yakınında başlatır ve 'stop' butonunu tıklayınca da durdurur.

'Enable 2 Pass HDR Scan' (2 Geçişli HDR Taramayı Etkinleştir) ibaresi seçili ise yakalama işlemi başladıktan sonra DaVinci Resolve'ye istediğiniz klibin sonuna geldiğinizi bildirmek üzere, 'Capture HDR' (HDR yakala) ibaresini tıklayın, böylelikle tarayıcı, yüksek pozlama geçişini yakalamaya artık geçebilir. Makaranın tamamını 'Capture HDR' ibaresini tıklamadan tararsanız başlattığınız yerden makaranın sonuna kadar, tarayıcı otomatik olarak yüksek yoğunluk taramasına başlar.

Capture Clip (Klibi Kaydet)

Filmin belirli bölümlerini taramanın daha kontrollü bir yöntemi. Filmin bir bölümünü belirlemek için aktarım kontrollerini ve 'In and Out' (Giriş ve Çıkış) butonunu kullandıktan sonra, 'capture clip' (klibi kaydet) ibaresinin tıklanması, sadece o klibi tarar ve sonra durur.

'Enable 2 Pass HDR Scan' (2 Geçişli HDR Taramayı Etkinleştir) ibaresi seçili ise yüksek yoğunluk HDR taraması, ilk taramayla aynı giriş ve çıkış noktalarını kullanır.

Batch Clips (Klipleri Grup Olarak Tara)

DaVinci Resolve'nin film tarayıcı panelindeki mevcut ışık kaynağı ayarlarını kullanarak, hepsini bir anda taramadan önce, birden fazla klibi girebilmeniz bir yoldur. Taramak istediğiniz filmin her bir bölümü için giriş ve çıkış noktalarını ayarlayarak, her bir klibi önceden girin ve medya havuzunda taranmamış bir klip olarak o kare aralığını kaydetmek için, 'log clip' (klibi gir) butonunu tıklayın. 'Batch clips' (klipleri grup olarak tara) ibaresini tıkladığınızda, tüm taranmamış klipler, birbiri ardından iş tamamlanana kadar taranacaktır. Ayrıca bir veya daha fazla taranmamış klibi seçebilirsiniz ve sadece seçilen klipler taranacaktır. Buna ek olarak, belirli bir film rulosuna karşılık gelen bir EDL dosyasını yazılıma aktarabilir ve bunun sonucunda giriş yapılan klipleri taramak için kullanabilirsiniz.

NOT 'Log clip' butonunu tıkladığınızda, Cintel Scanner gruptaki tüm kliplere aynı proje ayarlarını uygular ve görüntü yakalama sırasında, en yeni proje ayarlarını kullanır. Grup halinde görüntü yakalama olan 'batch capture' işlemini başlatmadan önce, tarayıcı ayarlarını onaylamanız tavsiye edilir.

'Enable 2 Pass HDR Scan' (2 Geçişli HDR Taramayı Etkinleştir) ibaresi seçili ise yüksek yoğunluk HDR taraması, ilk tarama grubuyla aynı giriş ve çıkış nokta gruplarını kullanır.

Grup halinde kayıt iş akışları hakkında daha fazla bilgi için, DaVinci Resolve kullanım kılavuzundaki 'Kasetten Görüntü Aktarımı' bölümüne bakın.

📷 Snapshot (Anlık Çekim)

Normal pozlama ve mevcut tarayıcı ayarları ile, tek bir kare yakalayın.

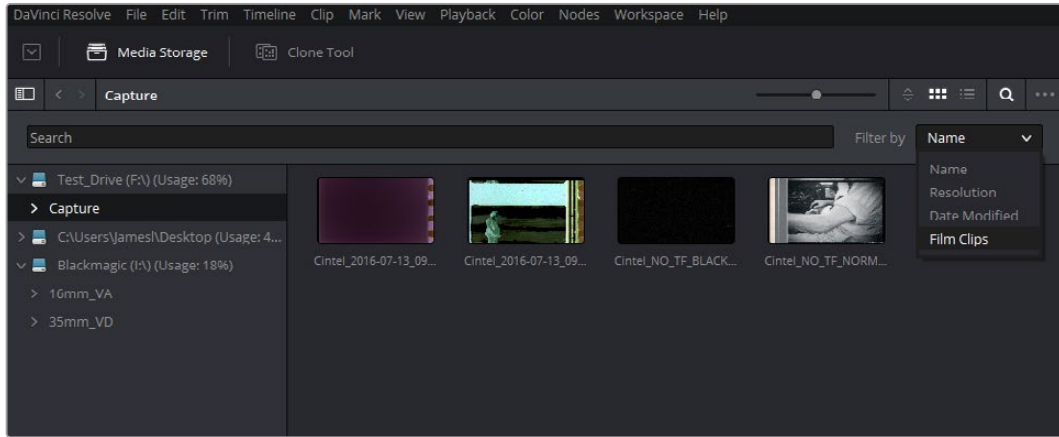
Tarama esnasında, DaVinci Resolve seçili hızda görüntü yakalamak için depolama bant genişliğinizin çok düşük olduğunu fark ederse görüntü kaydının başarılı olmasını sağlamak üzere, tarama hızı otomatikmen ayarlanır. İsteğe bağlı Audio and KeyCode Reader aksesuarını kullanıyorsanız seçtiğiniz ses kalitesini muhafaza etmek üzere, ses örnekleme hızı da ayarlanır.

Sesin Çıkartılması

Taramakta olduğunuz film aynı zamanda optik bir ses kanalı içeriyorsa ayrı bir aşamayla sesi çıkartabilirsiniz. Ses karesine karşı görüntü karesinin bir standardı vardır. 16mm film için bu 26 karedir ve 35mm'lik film için 21 karedir ve sesi çıkartırken DaVinci otomatik olarak hizaya getirir. Optik bir ses kanalı olan tüm klipleri seçin sonra, seçili kliplerden birisini sağ tıklayın ve 'extract audio' (sesi çıkart) ibaresini seçin. Resolve, her bir karenin üst üste binen optik kanal bölgesini analiz eder ve taranmış görüntü dizisiyle senkronize edilmiş uygun bir ses kanalını otomatik olarak oluşturur.

Her bir klibin sesi, otomatik olarak çıkartılır, klibe gömülür ve taranan karelerin yazıldığı aynı klasör dizinine kaydedilir. Klibinizin küçük dosya resminin köşesinde küçük bir ses ikonu belirecektir böylelikle, ilgili bir ses dosyası olduğunu bilirsiniz.

Ses çıkartma işlemi daha kolay hale getirmek için, depolama medyasında klipleri; isimleri, çözünürlükleri, değiştirilme tarihine göre veya sadece film klipleri olarak görüntüleyebilirsiniz. Kliplerinizi filtreleyerek görüntülenmesi, tam olarak ihtiyacınız olan şeyi bulmanızı ve seçmenizi kolaylaştırır. Büyük bir seçim yapabilir ve seçiminiz üzerine sağ tıkladıktan sonra, menüden 'extract audio...' (sesi ... çıkart) ibaresini seçerek, birden fazla klipten sesi çıkartabilirsiniz. Sesin çıkartılma işlemi esnasında, bir bilgi kutusu ilerlemeyi gösterir. 'Ses çıkartma işlemi durdurmak için dilediğiniz zaman 'stop' butonunu tıklayabilirsiniz.



Medya depolamadaki içerikleri filtreleyerek yönetimlerini kolaylaştırabilirsiniz

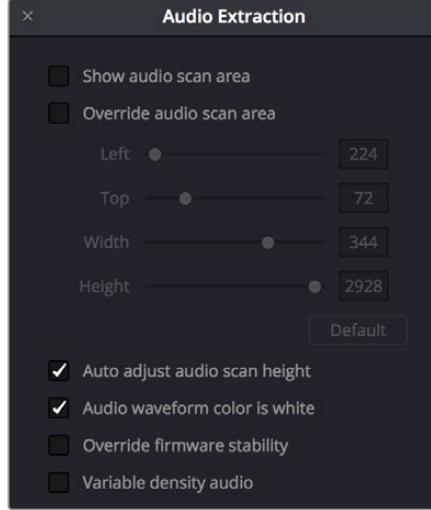
Klipleriniz tarandığında, 'capture info' (görüntü kayıt bilgileri) bölümündeki 'timestamp prefix' (tarih damgası ön eki) onay kutusu seçili değilse ve çıkartılan sesin otomatik olarak kliplerinize gömülmesini istiyorsanız medya havuzunda bulunan kliplerdeki sesi çıkartmayı asla unutmayın.

Sesi Çıkartma Ayarları

Normalde, film tipini seçtikten sonra, DaVinci Resolve'deki otomatik özellikler, optik sesinizi kusursuz bir şekilde çıkartacaktır. Ancak, yüklenmekte olan filmin durumuyla optik kanalın durumu farklı olabilir ve bazı durumlarda bu, otomasyonu bozabilir. Bu olursa, otomatik özellikleri es geçebilir ve düzeltmeleri elle yapabilirsiniz.



Elle düzeltmeler yapmak isterseniz görüntüleyicinin sağ üst köşesindeki denetleyici seçenekleri bölümünde, "Show Cintel Audio Settings" yani, Cintel Ses Ayarlarını Göster seçeneğini tıklayarak "Audio Extraction" ibareli filmde ses çıkartma ayarları penceresini açın



"Audio Extraction" yani filmde ses çıkartma ayarları, gerektiğinde düzenlemeler yapmanıza imkan tanır

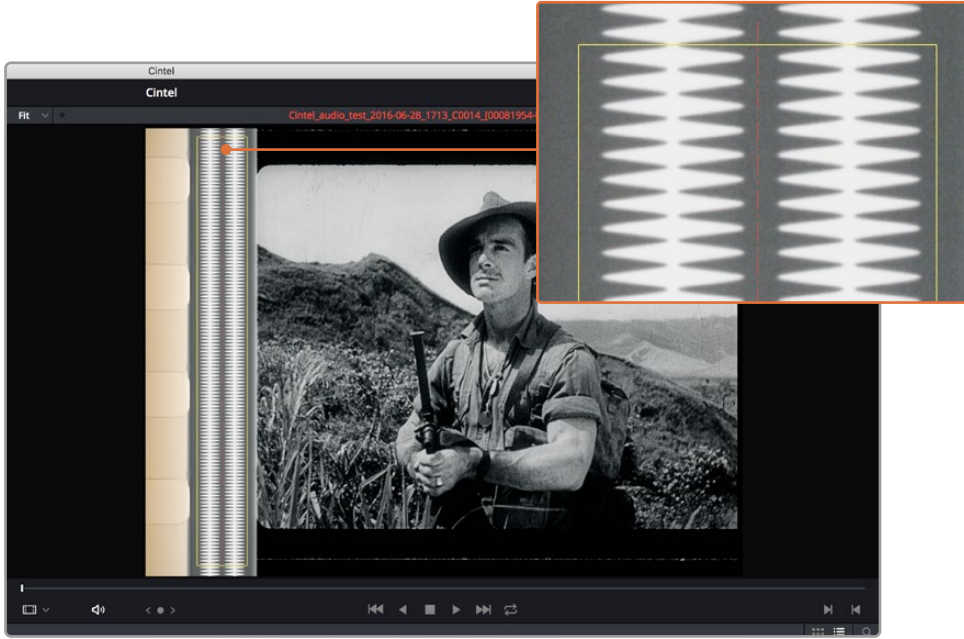
Filmde ses çıkartma ayarları, aşağıdaki düzenlemeleri manuel yapmanıza imkan tanır:

Show Audio Scan Area

Bu onay kutusu, ses tarama alanının kılavuzlarını gösterir veya kapatır. Bu kılavuzlar; optik ses tarama alanını kaplayan karenin yan tarafında bir kutu olarak görüntülenir ve ses çıkartma esnasında hangi optik bilgilerin kullanılacağını gösterir. Kılavuzların konumu, seçtiğiniz film türüne uyar. Ancak, gerektiğinde bu konumu değiştirebilirsiniz. Ses tarama alanı kılavuzları, filmde ses çıkartma işlemi sırasında neler olduğunu görmemiz için mükemmeldir. Böylelikle, olası sorunların farkına varabilir ve düzeltmeler yapabilirsiniz.

Kutunun içinde, ince kırmızı bir çizgi bulunur. Bu çizgi; stereo ses kanallarının arasındaki boşluğu tespit eden, orta nokta dedektörüdür. Ses çıkartma esnasında mono ses tespit edildiğinde, orta nokta dedektörü kaybolur ve kılavuzlar, optik mono kanalın genişliğine uymak için, otomatik olarak düzenlenir.

BİLGİ Ses tarama alan kılavuzlarını daha yakından incelemeniz gerekirse görüntüleyiciyi yakınlaştırabilir ve görüntüleyici konumunu aşağı veya yukarı ve sola veya sağa hareket ettirebilirsiniz. Görüntüleyicinin sol üst köşesindeki boyutlandırma seçeneklerinden, yakınlaştırma miktarını seçin ve görüntüleyiciyi, farenizle veya dokunmatik yüzeyinizle sürükleyiniz.



“Show audio scan area” ayarı açık olduğunda, ses alanı kılavuzları görünür olur, böylece kullanılan bilgileri tam olarak görebilir ve ses çıkartma işlemini denetleyebilirsiniz

Override Audio Scan Area (Ses Tarama Alanını Geçersiz Kıl)

Bu ayar, ses tarama alan kılavuzlarının yatay ve dikey konumlandırılmasını, genişliğini ve yüksekliğini ayarlamak için kaydırıcılar sunar.

Bu ayarlara aşağıdakiler dahildir:

Left and Width (Sol ve Genişlik)

Film türünüz, sesin karenin sağ tarafında görüldüğü şekildeyse kılavuz kutuyu sağa hareket ettirmek için “left” yani sol sürgüsünü ayarlayabilirsiniz. Normalde, ilgili film türünü seçtiyseniz bu otomatik olarak gerçekleşir ama bu ayar, gerektiğinde düzeltmeler yapmanız için daha fazla esneklik sağlar. Buna benzer olarak “width” yani genişlik ayarı, tarama alanının genişliğini düzenlemek için kullanılır.

Filmin optik ses alanı içinde istenmeyen öğeler olduğu zaman, kılavuz kutunun yan kenarlarına ince ayarlamalar yapmak için bunlar faydalı araçlardır. Bu, perforasyonun zamanla eskimesi sebebiyle veya değişen baskı kalitelerine bağlı olarak oluşabilir ve bazen ses çıkartma işleminin kalitesini etkileyebilir. İstenmeyen öğeleri kılavuz kutunun dışında tutmak için, yan kenarlara ince bir hareket yaparak, bundan kaçınmaya yardımcı olabilirsiniz.

Top (Üst)

Bu ayar, kılavuz kutunun dikey konumunu ayarlar.

Height (Yükseklik)

Daha eski film rulolarındaki film kareleri, zaman içinde büzülmeden dolayı, bazen normalden biraz daha küçük olabilir. Kılavuz kutuya manuel değişiklikler yaparken, 'height' (yükseklik) sürgüsünü kullanarak film büzülmesi için ayarlamalar yapabilirsiniz.

Auto adjust audio scan height (ses tarama yüksekliğini otomatik düzenle)

Bu ayar, varsayılan ayar olarak açıktır ve her bir karenin üst kısmında ses dalga şekli ile hizalanması için, kılavuz kutu yüksekliğini ayarlar. Otomatik özelliği, normal ses durumları için iyi çalışır ancak, ses çıkartma sürecinde kutunun rastgele hareket ettiğini ve ses çıkartma kalitesinin etkilendiğini fark ederseniz, bunun sebebi ses kanalındaki benzer özelliklerin kareler arasında üst üste binmesi olabilir. Eğer bu olursa, onay kutusundan seçimi kaldırın ve ses çıkartma işlemini tekrar deneyin.

'Auto adjust audio scan height' (ses tarama yüksekliğini otomatik düzenle) onay kutusundan onayı kaldırıyorsanız 'height' (yükseklik) ayarının, kılavuz kutuyu, kare için en uygun konuma yerleştirdiğinden emin olun. Gerektiğinde, manuel düzeltmeler yapmak yardımcı olabilir fakat, işiniz bittikten sonra otomatik özellikleri tekrar açmayı unutmayınız!

Audio waveform color is white (Ses dalga şeklinin rengi beyaz)

Taranan filmin türüne göre, ses dalga şekli siyah veya beyaz olabilir. Dalga şekli beyaz ise ilgili onay kutusunun etkinleştirildiğinden emin olun. Bu, dalga şeklindeki beyaz bilgilerin sesi çıkartma esnasında kullanılmasını temin eder. Dalga şekli siyah ve etrafındaki ses alanı beyaz ise, DaVinci'nin dalga şeklindeki siyah bilgileri kullanması için onay kutusunu devre dışı bırakın. Orta nokta ve mono tespiti gibi diğer otomatik özellikler de bu ayarın doğru olarak ayarlanmasına bağlıdır.

Override firmware stability (bellenim stabilitesini geçersiz kıl)

Az rastlanan bazı durumlarda, dahili belleğin stabilitesi nedeniyle filmin durumu, karede büyük hareketler oluşturabilir. Bu, sesi çıkartma kılavuz kutusunun, optik kanal ile yanlış hizalanmasına neden olabilir. Bu gerçekleşirse 'override firmware stability' (bellenim stabilitesini geçersiz kıl) seçeneğinin aktif hale getirilmesi, sesi çıkartma kılavuz kutusunun bağımsız olarak film deliklerini takip etmesini sağlar ve imkan dahilinde daha iyi sonuçlar için ayarlar.

Variable density audio (Değişken Yoğunluklu Ses)

Filminiz değişken yoğunluklu ses içeriyorsa DaVinci Resolve'nin ne tür sesi çıkartacağını bilmesi için, 'Variable density audio' (Değişken yoğunluklu ses) onay kutusunun seçili olduğundan emin olun. Değişken alan ses kanalları için varsayılan durum 'off' (kapalı) olarak ayarlıdır.

Daha önce hiç değişken yoğunluklu ses kullanmadıysanız çizgileri birbirine daha yakın sıkıştırılmış bir barkoda benzer ve sıkıca dizilmiş gölgeli çizgiler halinde görsel olarak belirleyebilirsiniz. Karşılaştırıldığında, değişken alanlı ses yolları, bir ses dalga şekli gibi görünür.

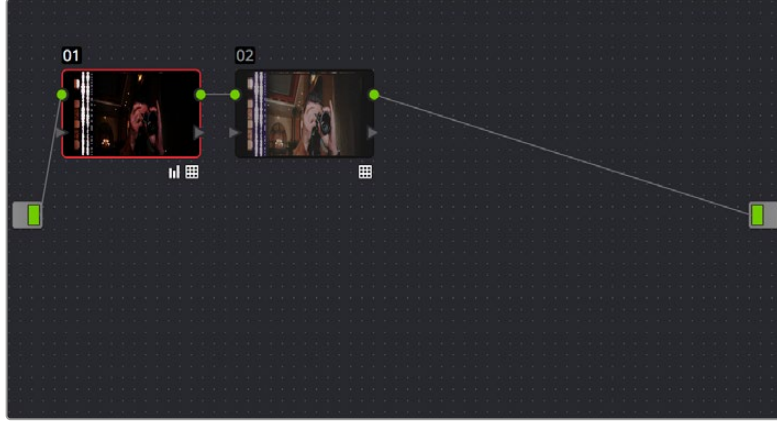
Renk Alanı ve Boyutlandırma

Taranmış medyayı üzerinde başka işlemler yapabileceğiniz bir renk alanına çevirmenize yardım etmek için "Cintel Negative to Linear" (Cintel Negatiften Doğrusala) ve "Cintel Print to Linear" (Cintel Baskıdan Doğrusala) isimli 2 adet 1D LUT sağlanmıştır. Orijinal taramaları, doğrusal bir renk alanına dönüştürmek üzere, "color" isimli renk sayfasında bir düğüm kullanarak, bu LUT'ları uygulayabilirsiniz. Ancak, taramaları daha detaylı düzeltmeler için Rec. 709 veya Cineon olarak dönüştürmek istiyorsanız ikinci bir düğümde, ikinci bir LUT uygulamanız gerekir. Baskı için varsayılan renk alanı, 2,2 gamma standart log eğrisidir ve tüm diğerleri 2,046 film yoğunluğu log gamasıdır.

Negatif film için genelde, ikinci LUT uygulandıktan sonra, "color invert" ismindeki rengi tersyüz etme işlemini uygulamak en iyisidir. Buna ek olarak, normalde hedef renk uzayına doğru

dönüştürme yapmak için, Dmin'den kaynaklanan siyah ofsetleri kaldırmak üzere Linear yani doğrusal veriler üzerinde biraz derecelendirme yapmak gerekir. Her bir düğümün içerik menüsünün 3D LUT altmenüsünde, bir görüntüyü doğrusal renk alanından içinde çalışmak istediğiniz herhangi bir renk alanına çevirmenizi sağlayan çeşitli VFX IO LUT'lar vardır.

Daha fazla bilgi için, DaVinci Resolve kullanım kılavuzundaki "LUT'ların Kullanımı" bölümünün, "bir düğüm dahilinde bir LUT uygulanması" kısmına bakın.

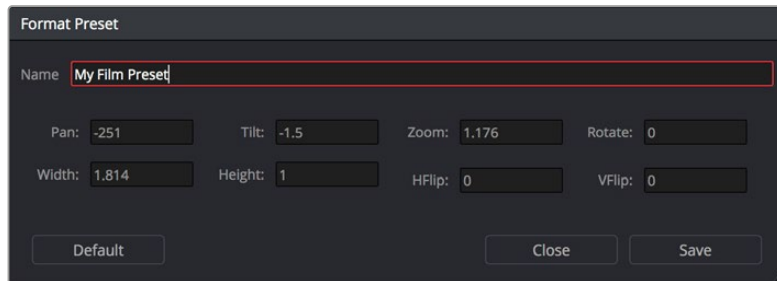


LUT'ları kullanarak bir negatif film taramasını çevirmek üzere üç düğüm kullanımı; düğüm 1 negatif veya baskıdan doğrusala çevirir, düğüm 2 doğrusaldan Rec. 709'a çevirir ve düğüm 3 gerektiğinde rengi tersyüz eder

Bir düğüm dahilinde bir LUT'un uygulanması, 0'ın altındaki ve 1'in üzerindeki her görüntü verisini kırpacaktır. Kırılmayı önlemek için, o düğüm dahilindeki LUT tarafından uygulanan dönüşümden önce görüntünüzün seviyelerini düzeltmek üzere, bir LUT uygulanmış herhangi bir düğüm dahilindeki Lift/Gamma/Gain kontrollerini kullanabilirsiniz.

Hem taramakta olduğunuz filmin formatı hem de ilk olarak çekilme şekli çerçevelemeyi etkiler. Taranmış klibinizin son çerçevesini; yeniden boyutlandırma, optik yaklaştırma, büyütme, döndürme, eğme ve bunlar gibi birçok özelliği kullanarak ayarlayabilirsiniz. Gerekli çerçevelemeyi oluşturmak için 'color' sayfasındaki 'sizing' isimli boyutlandırma paletini açın ve 'input sizing' (giriş boyutlandırma) modunu kullanın. Boyutlandırma tercihlerinizi bir önayar olarak kaydetmek için; menüyü açın, 'save as a new preset' ibaresini seçin ve önayarınız için bir isim girin.

Belli bir medya türü için uygun bir boyutlandırma ön ayarı oluşturduğunuzda, seçili kliplerin içeriksel menüsünde bulunan 'change input sizing preset' (giriş boyutlandırma ön ayarını değiştir) komutunu kullanarak, medya havuzunda veya color (renk) sayfasında, o ön ayarı birçok film taramasına aynı anda uygulayabilirsiniz. Boyutlandırma hakkında daha fazla bilgi için DaVinci Resolve kullanım kılavuzunda, 'boyutlandırma ve görüntü sabitleme' bölümüne bakın.

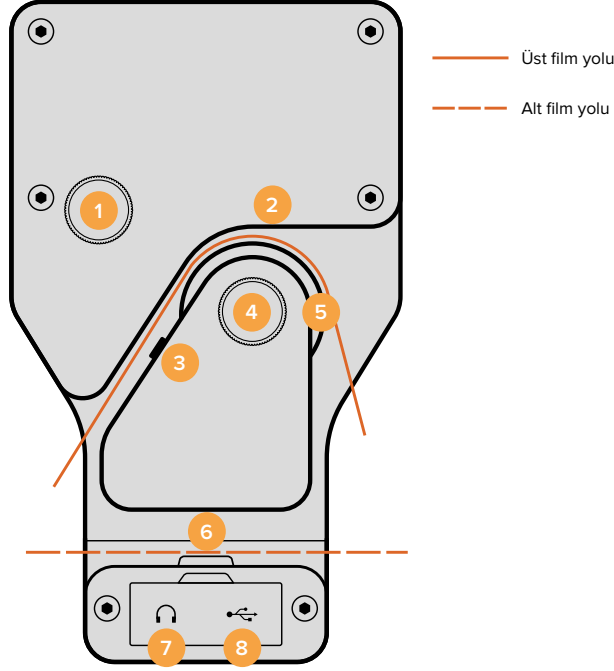


Color sayfasının boyutlandırma paletinde, bir boyutlandırma ön ayarı oluşturma

İsteğe Bağlı Audio and KeyCode Reader

İsteğe bağlı olan Audio and KeyCode Reader; 35mm ve 16mm filmin optik ve manyetik ses kanallarını kaydederek, Cintel tarayıcınızın özelliklerini genişletir. Ses kanalları, yavaştan başlayarak gerçek zamanlıdan daha hızlıya kadar çeşitli hızlarda kaydedilebilir. Ayrıca, karenin makaradaki konumu ve kullanılan film stoğu hakkındaki KeyCode bilgilerini de tarayabilir.

Okuyucu, aşağıdaki parçalara sahiptir.



1. Optik ses takip düğmesi
2. Manyetik ses kafası
3. Optik ses tarayıcı
4. Capstan makarası temizleme düğmesi
5. Capstan makarası
6. KeyCode tarayıcı
7. Kulaklık portu
8. USB bellek portu

Filminizi okuyucunun üst kısmından geçirerek, filminizden optik ve manyetik ses yollarını çıkartabilirsiniz.

Film okuyucunun alt kısmından geçirildiğinde, KeyCode bilgisini yakalayabilirsiniz. KeyCode verisi, bazı negatif boş filmlerde perforasyon bölgesi yanına konumlandırılmıştır ve genellikle bir makara dahilindeki karelerin konumu hakkında veriler, film rulosunu tanımlamaya yardım eden bilgiler ve boş filmin türü gibi ilave detay içerir. Taranan bilgiler, her bir Cintel Raw karesi dahilinde, metadata olarak kaydedilir.

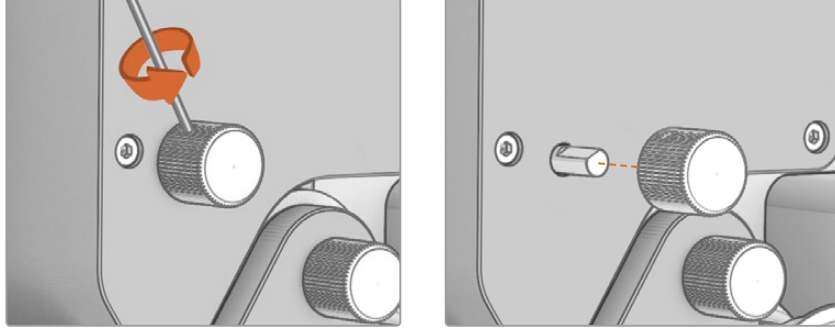
BİLGİ Cintel tarayıcınız, Audio and KeyCode Reader takılı olmadan da optik ses yolu bilgisini yakalayabilir. Filminizi taradıktan sonra, DaVinci Resolve film tarayıcı panelindeki sesi çıkartma özelliğini kullanın. Optik sesi çıkartma hakkında daha fazla bilgi için bu kullanım kılavuzunda 'sesin çıkartılması' bölümüne bakın.

Audio and KeyCode Reader'in Takılması

Okuyucu, tarayıcınızın besleyici makarasının altındaki 6 pimli aksesuar XLR konektörü olan, sol seçenekler arayüzü tarafından çalıştırılır.

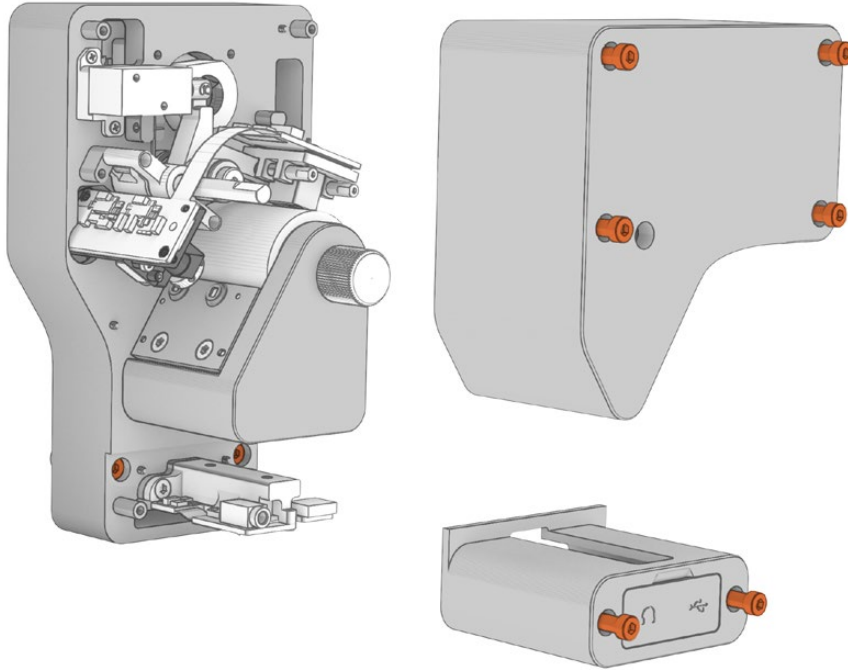
Audio and KeyCode Reader'i Cintel Scanner'inize takmak için:

- 1 İlk önce, Cintel tarayıcınızdan elektrik bağlantısının çıkarılmış olduğundan emin olun.
- 2 Okuyucunun üstteki ayar düğmesinde gömülü, küçük bir tutma vidası bulacaksınız. Bu vidayı gevşetmek için, 1.5mm'lik bir alyan anahtarı kullanın ve düğmeyi milinden çekip çıkarın. Bu işlem, okuyucunun üst kapağını çıkarmanızı sağlar.



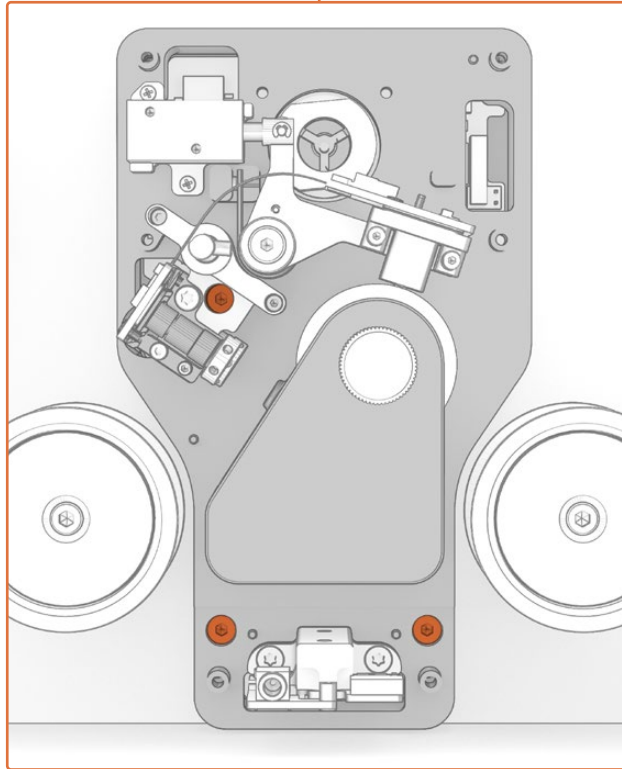
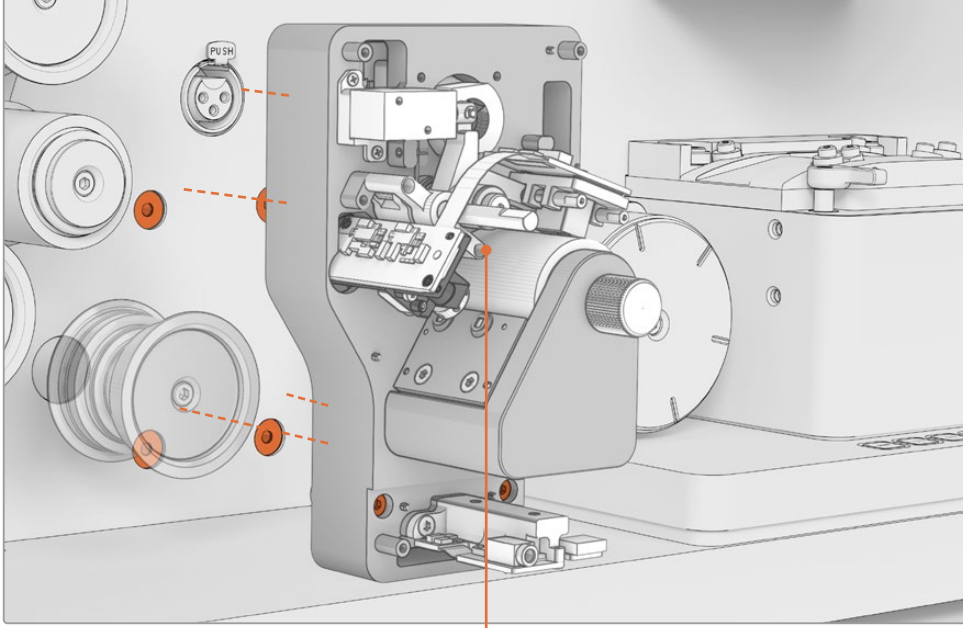
Ayar düğmesinin tutma vidasını gevşetmek için, 1.5mm'lik bir alyan anahtarı kullanın, sonra ekseninden düğmeyi çekip çıkarın.

- 3 2.5mm'lik bir alyan anahtarı ile 6 adet M3 vidayı sökerek, Audio and KeyCode Reader'den üstteki ve alttaki kapakları çıkartın. Vidalar tutucu olduğu için, okuyucuya bağlı kalırlar. Kapakları çıkarmak, okuyucuyu Cintel tarayıcınıza bağlamak için gereken tutucu vidalara erişmenizi sağlar.



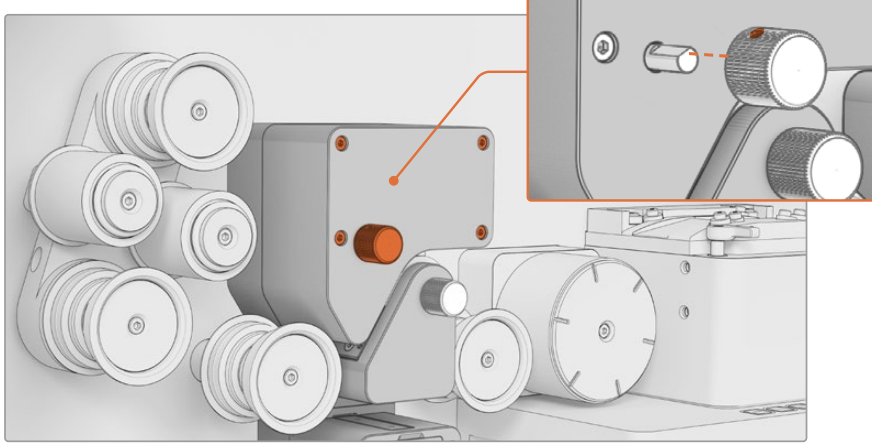
6 adet M3 kapak vidasını sökerek, üstteki ve alttaki kapakları okuyucudan çıkartın. Tutucu vida oldukları için, onları sadece bağlantılarını bırakana kadar, üstteki resimde görüldüğü gibi, az çevirmeniz gerekir.

- 4 2mm'lik bir alyan anahtarı kullanarak, 4 adet M4 vidalı tapayı Cintel tarayıcıdan çıkarın. Doğru vidalar; sol üstteki vida ve seçenekler sol arayüzü XLR bağlantısının altında bulunan 2 alt vidadır.
- 5 Okuyucunun erkek XLR bağlantısını, Cintel tarayıcıdaki sol seçenekler arayüzü dışı XLR bağlantısına takarak, okuyucuyu tarayıcıya monte edin.
- 6 Audio and KeyCode Reader'i, 3 adet tutucu M3 vidası ile tarayıcıya bağlayın ve vidaları sıkmadan önce, okuyucunun plaka üzerine düz oturduğundan emin olun.



Okuyucuyu, sol seçenekler arayüzü XLR bağlantısına takın ve 3 adet tutucu M3 vidayı kullanarak okuyucuyu Cintel tarayıcıya bağlayın

- 7 Audio and KeyCode Reader kapaklarını tekrar takın ve kapak vidalarını sıkın. Üstteki ayar düğmesini yerine geri takın ve tutma vidasını, milin düz tarafına hafifçe sıkın.



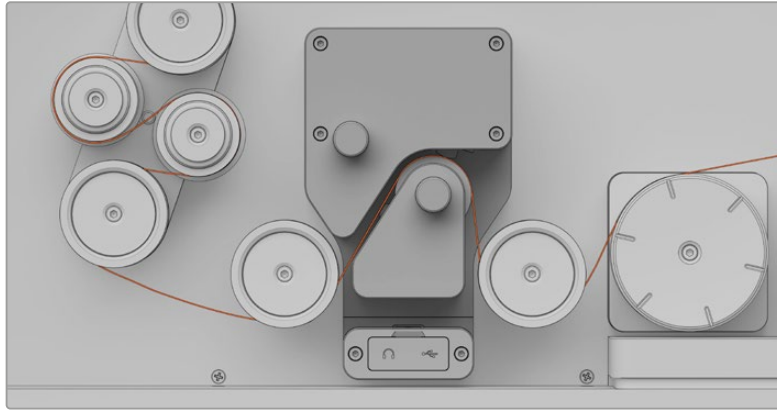
6 adet tutucu M3 vidayı sıkarak okuyucunun kapaklarını geri yerine takın ve tutma vidasını, eksenin düz tarafına doğru sıkarak ayar düğmesini geri yerine takın

Sesin Okunması

Audio and KeyCode Reader takılıyken, tarayıcınız 35 ve 16mm filmden optik ses bilgisini ve 16mm filmden manyetik ses bilgisini kaydedebilir.

Filmin Bağlanması

Ses bilgisini gerçek zamanlı kaydetmeye başlamak için ilk yapmanız gereken, filminizi okuyucunun ses yolundan geçecek şekilde bağlamaktır. Doğru bağlama yolu aşağıda gösterilmiştir.



Sesi okumak için filmi, Audio and KeyCode Reader'in üst tarafından bağlayın.

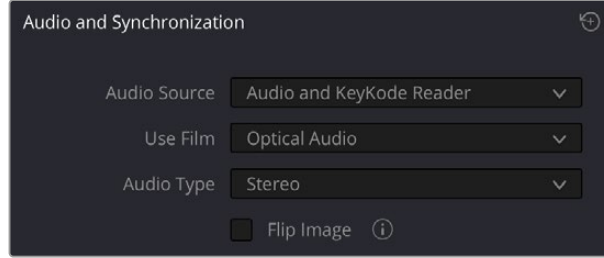
NOT Optik sesi tararken, 16mm ve 35mm tarama LED'lerine özellikle dikkat edin. 16mm Cintel'in kasasından daha uzakken, 35mm daha yakındır.

BİLGİ Film okuyucunun ses yolu içinden bağlandığında, DaVinci Resolve sesi otomatik kaydedecek ve kliplerinize ekleyecektir. Alternatif olarak, film aşağıdaki yoldan bağlanırsa, ses kaydedilmeyecektir.

Ses Taraması için Okuyucunun Ayarlanması

Filminiz bağlandığında, DaVinci Resolve'nin film tarama paneline gidin ve okuyucu aksesuar yarı penceresinde, 'use film' (film kullan) ve 'audio type' (ses tipi) ayarlarını düzenleyin. 'Audio source' menüsünden yaptığınız seçime göre, 'use film' ve 'audio type' menülerindeki seçenekler değişecektir.

Bu ayarlar, okuyucunuzun uygulamasını istediğiniz fonksiyonları ayarlamanızı sağlar. Mesela, okuyucuyu; KeyCode bilgisini taraması için veya optik ya da manyetik ses gibi farklı ses tiplerine ayarlamak gibi.



DaVinci Resolve'nin film tarayıcı panelindeki Audio and KeyCode okuyucu penceresi, 'use film' (film kullan) seçeneğini KeyCode ve ses tarama arasında değiştirmenizi sağlar.

BİLGİ Yuklediğiniz filmin tipine bağlı olarak, kullanılabilir seçenekler değişecektir. Örneğin; DaVinci Resolve'nin film tarama panelinde film tipi olarak 16mm seçildiğinde, manyetik ses kullanılabilir.

Audio Source (Ses Kaynağı)

Taradığınız görüntülere ekleyeceğiniz ses kaynağını seçin.

None (Yok)

Ses Kanalı yok. 'Use film' ve 'audio' türleri için seçenekler kullanım dışıdır.

Audio and KeyCode Reader

'Audio and KeyCode Reader'i kullanarak filmdeki optik veya manyetik sesi kaydedin.

External audio (Harici Ses)

Harici XLR ses bağlantıları üzerinden analog ses ya da AES/EBU dijital ses almak için bu seçeneği tercih edin.

Use Film (Film Kullan)

Okuyucunun KeyCode veya ses okuma fonksiyonlarını belirlemek üzere bu ayarları kullanın. Keycode verisini okumak hakkında daha fazla bilgi için, 'KeyCode Okuma' isimli bölüme bakın.

Ses okuyucu için ayarların içinde şunlar bulunur:

Optical Audio (Optik Ses)

Bir optik ses kanalından ses taramak istediğiniz zaman, bu ayarı seçin.

Filmi inceleyerek, ses kanalının optik olup olmadığını belirleyebilirsiniz. 35mm veya 16mm film tarıyorsanız ve devamlı bir dalga şekli veya bir kenarda toplanmış uzun ve sıkı şeritler görürseniz, baskınızın optik bir ses yolu vardır.

Optical Audio Narrow Track (Dar Kanallı Optik Ses)

Optik ses tararken, film büzüşmesi ve baskının doğasında olan değişkenler, filminizin optik ses kanalının, Audio and KeyCode Reader'inizin taradığı alandan, nadiren daha küçük olduğu anlamına gelecektir. Bu; ses okuyucunun, perforasyonları veya ses kanalının her iki kenarındaki görüntü verisini taramasıyla sonuçlanabilir. Bu da seste parazite neden olur. Bu gibi durumlarda, okuyucunun takip etme düğmesini ayarlamak, sesi geliştirmek için yardımcı olabilir fakat, bu başarılı olmazsa ve ses kanalı problemlili ise o zaman, 'use film' menüsünden 'optical audio narrow track' seçeneğini seçebilirsiniz. Bu, okuyucunuzun taradığı alanı %20 civarında azaltarak, optik kanal etrafındaki istenmeyen alanları sınırlayacak ve ses tarama kalitesini artıracaktır.

Ses okuyucudaki takip özelliği hakkında daha fazla bilgi için, bu bölümün ilerleyen kısımlarındaki 'takip etme' bilgisine bakın.

Magnetic Audio (Manyetik Ses)

16mm filmdeki manyetik çizgili ses kanalını taramak istiyorsanız 'use film' ayarını 'magnetic audio' (manyetik ses) olarak ayarlayın.

16mm filmdeki manyetik çizgili ses kanalını, karelerin yanında siyah bir çizgi ile belirleyebilirsiniz. Siyah şerit, filmin emülsiyon tarafında bakır renkli olacaktır.

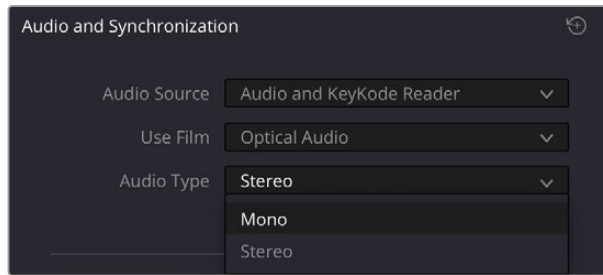
NOT Manyetik çizgili sesi tararken, uygun ses ayarı için, tarama hızını saniyede 24 kare olarak ayarlamayı tavsiye ederiz. Diğer hızlarda tarama işlemini yapmak, post yapımda ses tonu ayarlaması gerektirebilir.

Audio Type (Ses Türü)

"Use film" seçeneği ile uygun olan film kullanımını seçtikten sonra, "audio type" menüsünden, ses türünü seçin.

Stereo veya Mono Ses

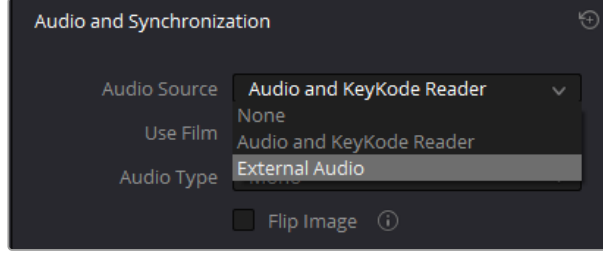
Filmi inceleyerek, optik sesin stereo veya mono olduğunu kolaylıkla belirleyebilirsiniz. Yan yana iki ses dalga şekli görürseniz filminiz stereo sese sahiptir. Sadece tek ses dalga şekli veya değişken yoğunluklu sesin sıkıştırılmış çizgilerini görürseniz filminizin sesi monodur. Manyetik ses her zaman monodur.



Filmdeki sesin türüne bağlı olarak 'stereo' veya 'mono' seçeneğini seçin.

Harici Ses (External Audio)

Ses kaynağı menüsünü tıklayın ve “external audio” ibareli harici sesi seçin.



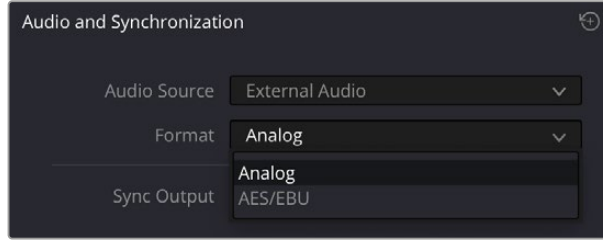
“External audio” ibareli harici ses seçiliyken, Cintel Scanner’in yan panelindeki XLR girişleri, analog ses ya da AES/EBU dijital ses kabul edebilir. “Format” menüsünden uygun bir seçenek belirleyin:

Analog

Balanslı analog ses kullanıyorsanız bu ayarı seçin.

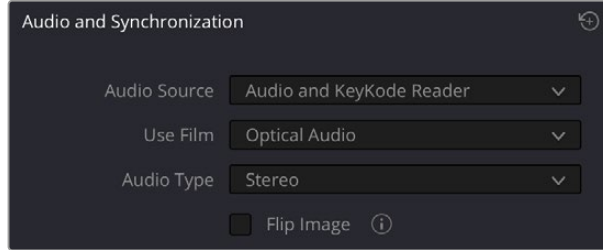
AES/EBU

AES3 olarak da bilinen AES/EBU ses almak için bu seçeneği kullanın.



Flip Image (Görüntüyü Ters Çevir)

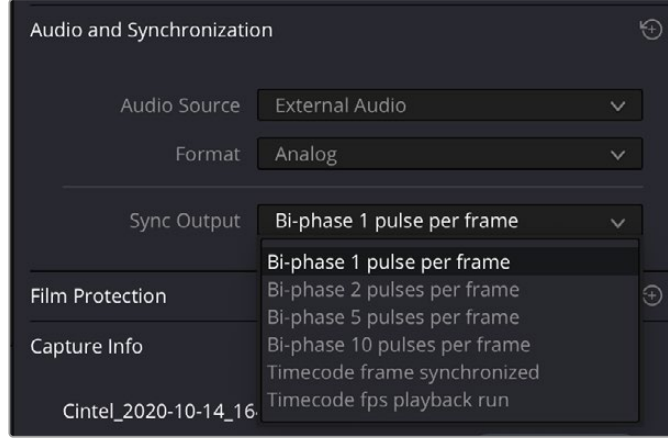
Negatif film türlerinden sesi tararken görüntü ters çevrilmiş ise ‘flip image’ (görüntüyü ters çevir) onay kutusunu tıklayın.



Kareyi çevirmek için, “flip image” seçeneğini tıklayın

Sync Output (Senkron Sinyali)

Tarayıcı, yan paneldeki bir XLR portu üzerinden senkronizasyon gerektiren harici ekipmana bağlıysa, bir senkronizasyon standardı seçmek için, 'sync output' menüsünü kullanın.



'Sync output' menüsündeki iki-faz ve zaman kodu çıkışı seçenekleri

'Bi-phase' (iki faz) seçeneği; standart ses XLR3 kademeli çiftine, iki adet tek uçlu tümlev sinyali çıkarttığı için, yönü ve sıklığı seçtiğiniz hızda algılanabilir. 'Timecode frame synchronized' (kare senkronizasyonlu zaman kodu) seçeneği, taşınan kare başına tek bir zaman kodu değeri çıkartır. 'Timecode fps playback run' seçeneği, projenizin film kare hızı tarafından belirlenmiş sabit bir hızda zaman kodları çıkartır. Voltaj çıkışı; Bi-phase için 4.5V ve Timecode seçimleri için 1.5V arasında değişir.

NOT 24, 25 ve 30 fps ile bağımsız çalışma ya da kare hızına kilitli olarak zaman kodu çıkışı desteklenir. Diğer kare hızları için zaman kodu sinyali çıkarılmaz. Diğer kare hızları için zaman kodu sinyali çıkarılmaz.

Capture Speed (Ses Kayıt Hızı)

Audio and KeyCode Reader monte edilip ses kaydı için yapılandırıldığında, Cintel tarayıcınızın azami tarama hızının üst limiti, filmin hedef kare hızının %125'i olur. Örneğin; saniyede 24 kare oynatım hızı için amaçlanan filmi tararken, tarayıcınızın azami tarama hızı saniyede 30 kare olur. Bu, 48 kHz'lik bir örnekleme hızı garanti eder.

Tracking (Takip Etme)

Baskıdan baskıya optik film seslerinin konumlandırması biraz farklılık gösterebileceğinden, tarayıcınızın filmde doğru ses alanını taradığından emin olmanız önemlidir. Mümkün olan en iyi kaliteyi elde etmeniz için, ses okuyucudaki takip etme özelliği, optik ses tarama kafasının konumuna ince ayarlamalar yapmanızı sağlar.

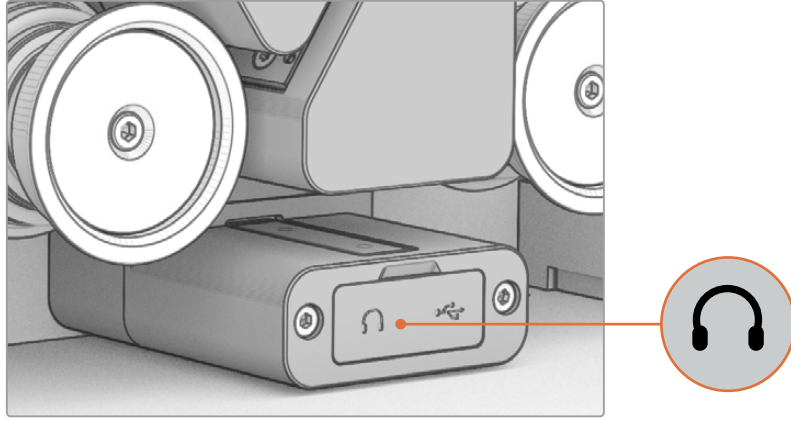
Takip etme özelliğini kullanmak için:

- 1 Okuyucunuzun 3.5mm'lik kulaklık jak girişine, kulaklık setinizi veya bir ses analiz cihazı bağlayın. Konektöre erişmek için, plastik toz kapağını yukarı çekerek açın.
- 2 Kulaklık veya bir analiz cihazı takılı iken, filmde sesin olduğu bir yere hızlı oynatım ile ulaşmak ve filmi oynatmak için, tarayıcınızın aktarım kontrollerini kullanın.

- 3 Filminizin sesini dinlerken veya analiz ederken, takip etme düğmesini saat yönüne veya saat yönünün tersine çevirin. Takip etme düğmesi, okuyucunuzun üst kısmında bulunur. Takip etme düğmesini düzeltme esnasında, optik kanal üzerindeki konumunu düzeltmeniz için, tarayıcı kafası filmin kenarına yaklaşacak veya uzaklaşacaktır. Takip etme işlemi yaptıkça, sesteki yüksekliğin veya netliğin değiştiğini duyacaksınız. Bir ses analiz cihazı aynı prensip ile çalışacaktır fakat, takip etme düğmesini hareket ettirdiğinizde daha hassas olarak çalışacaktır.

Stereo sesler için, ses bozulma olmadan her iki kanalın eşit derecede güçlü ve net olduğu yeri bulana kadar, ayarlama yapmaya devam edin.

Mono ses için, takip etme özelliğini düzeltirken sesi mono olarak ayarlamak etkilidir. Bu, sesi ortalamanız için stereo kanalın sol ve sağ kanallarını kullanmanızı sağlar; bu işlem, mono sesin en iyi şekilde taranmasını temin eder. Ancak, takip etme işlemi en iyi hale getirdikten sonra, ses tipini monoya geri çevirmeyi unutmayın.

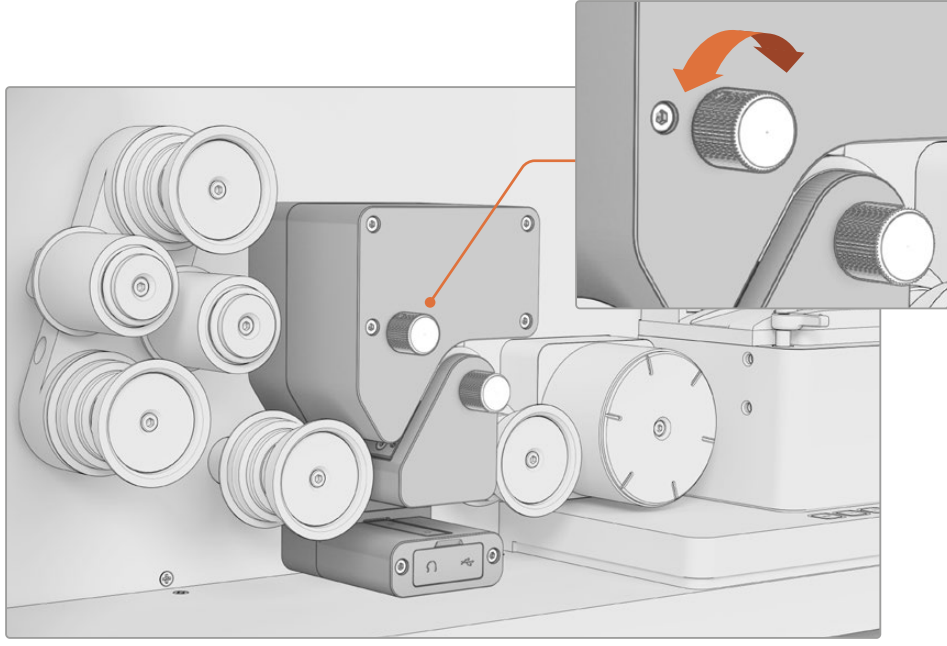


Audio and KeyCode Reader'in kulaklık jak girişi, okuyucunun altında bulunan bir lastik toz kapağının arkasındadır.

HDMI ve Kulaklık Jakı ile Sesin Denetlenmesi

Film sesleri, senkronize oldukları görüntülerin birkaç kare önünde basılırlar. Bu sebeple, HDMI çıkışında görüntü ile senkronize olması için ve ayrıca taranmış klipte senkronize olması için Cintel tarayıcınız sesi otomatik olarak geciktirir.

Kulaklık jakı; senkronize olmamış sesi, doğrudan filmin sesinden gerçek zamanlı olarak çıkarır. Bunun anlamı, takip etme düzeltmeleri yaptığınızda hiçbir gecikme olmadan farkı duyabileceğinizdir.



Takip etme düğmesinin çevrilmesi ses kafasının konumunu düzenler, böylelikle, optik ses taramasının kalitesini artırabilirsiniz.

Optik sesi yakalarken, tarayıcının film rulosu dönmüyorsa tarayıcınız LED ışığını karartacaktır. Okuyucu, tarayıcınızın durumuna uyum gösterir. Yani, tarayıcı bekleme moduna geçerse okuyucu da geçecektir.

Manyetik Ses ile Hizalama

Audio and KeyCode Reader'in manyetik ses kafası, fabrikada önceden yapılandırılmış olarak gelir ve herhangi bir düzeltme gerektirmemelidir. Manyetik sesin doğası nedeniyle, küçük bir miktarda üst üste binme, ses bozulmasına sebebiyet vermemelidir çünkü, bu alanlar manyetik bilgi taşımazlar. Baskı esnasında manyetik seslerin konumlandırılmasında genellikle daha az farklılık vardır ve herhangi bir hizasızlığı telafi etmeye yardımcı olması için, okuyucunun manyetik kafası biraz büyüktür.

Gelişmiş Hizalama Özelliği

Burada listelenen hizalama özelliklerinin yanı sıra okuyucu aynı zamanda aşağıdakileri destekler:

- Manyetik ses istikamet açısı ve hizalamanın düzeltilmesi
- Optik ses istikamet açısı düzeltilmesi
- Optik ses odaklama düzeltilmesi

Çoğu kullanıcı için, bu değişiklikler asla gerekli olmayacaktır. Bu gelişmiş ayarlamalar hakkında daha fazla bilgi için, lütfen www.blackmagicdesign.com/tr/support adresinden, Blackmagic Design destek merkezini ziyaret edin.

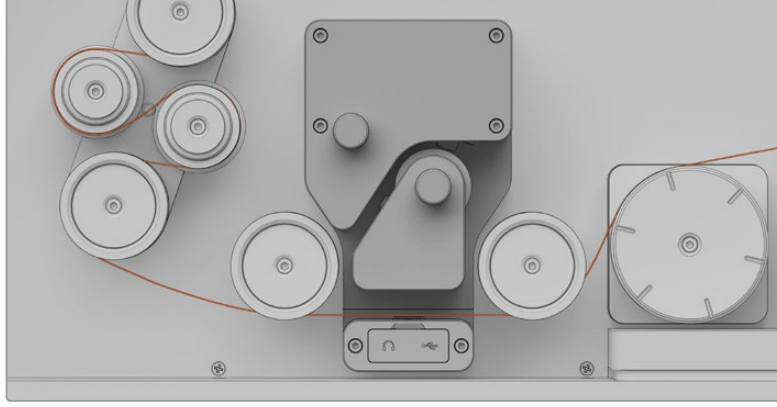
Tarama İşlemini Başlatma

Ses türünüzü ayarlayıp ses parçalarını düzeltince, filminizi "Bir veya Daha Fazla Film Bölümlerinin Taranması" bölümünde detaylı anlatıldığı gibi taramaya başlayın.

Tarayıcınızdan gönderilen ses ve video bilgilerini senkronize etmeden, DaVinci Resolve'nin dosya yazmaya başlamayacağını hatırlatmakta fayda var. Ses bilgisi, ilgili olduğu karenin birkaç kare ilerisinde yazıldığından, tarayıcınızın hızına ulaşması ve taramanızın ekranda görünmesi arasında, yaklaşık bir saniyelik kısa bir bekleme olacaktır.

KeyKode Okunması

KeyKode verisinin taramasını yaparken, filmin takılması, okuyucu olmadan yapılan film takılmasının aynısıdır. Film silindirler arasında kaydırma plakasına ilerlerken, doğal olarak KeyKode okuyucu içinden geçecektir. Doğru bağlama yolu aşağıda gösterilmiştir.

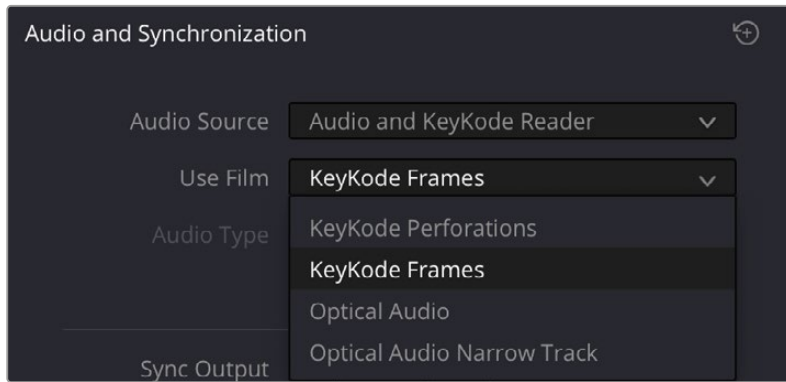


KeyKode verisini taramak için, filmi, Audio and KeyKode Reader'in alt tarafından bağlayın.

NOT KeyKode bilgisini yakalarken, filminizin KeyKode kısmının, tarama LED'i üzerinden geçtiğinden emin olun.

KeyKode Taraması için Okuyucunun Ayarlanması

KeyKode okuyucuya filminizi takıp gerginliğini ayarladıktan sonra, KeyKode'yi okuması için Cintel tarayıcınızı yapılandırmanız gerekir. DaVinci Resolve film tarayıcı paneline gidin ve 'use film' menüsünde 'KeyKode Perforations' (KeyKode Perforeleri) veya 'KeyKode Frames' (KeyKode Kareleri) seçeneğini seçin. Bir DPX dosyasını dışa aktardığınızda, KeyKode bilgileri, buna bağlı olarak kare veya perfore sayısı olarak temsil edilir.



Negati film baskılarındaki KeyKode verilerini taramak için, "use film" menüsünden "KeyKode perforations" etiketli KeyKode perforasyonları veya "KeyKode frames" etiketli KeyKode kareleri seçeneğini tıklayın.

Use Film (Film Kullan)

Okuyucunun KeyKode veya ses okuma fonksiyonlarını belirlemek üzere bu ayarları kullanın. Ses okuma hakkında daha fazla bilgi için 'Okuyucunun Ses Tarama için Ayarlanması' bölümüne bakın.

KeyCode okuyucu için ayarların içinde şunlar bulunur:

KeyCode Perforeleri

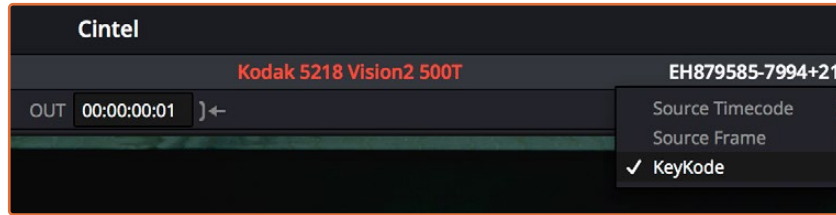
KeyCode'yi perfore sayısına göre kaydetmek için 'KeyCode Perforations' seçeneğini seçin

KeyCode Kareleri

KeyCode'yi kare sayısına göre hatasız kaydetmek için herhangi bir tür film ile 'KeyCode Frames' seçeneğini seçin.

Okuyucu şimdi, filmde bulunan tüm KeyCode bilgisini tarayacak ve metadata olarak kliplerin her birine kaydedecektir. KeyCode metaverisinin, görüntüleyicinin üst kısmında, DaVinci Resolve'nin film tarayıcı panel bünyesinde görüntülediğini de görebilirsiniz.

Bilgiyi görüntülemek için, görüntüleyicinin sağ üst köşesindeki görüntüleyici seçenekleri ikonu üzerine tıklayın ve menüden 'KeyCode' ibaresini seçin.



KeyCode bilgisini görüntülemesi için, görüntüleyicinin sağ üst köşesindeki görüntüleyici seçenekleri ikonu üzerine tıklayın ve menüden 'KeyCode' ibaresini seçin.

Bir sonraki bölümde açıklandığı gibi, KeyCode bilgisi genellikle, DPX (Digital Picture Exchange - Dijital Resim Takası) dijital aralara dahil edilmek üzere yakalanır ancak, daha başka metadata'lar gibi bu metadata da kullanım için, DaVinci Resolve'nin 'edit' (kurgu) ve 'color' (renk) sayfalarında bulunabilir.

KeyCode Metadata dahil olmak üzere DPX'e Kod Çevrimi

İsterseniz DaVinci Resolve'yi, taramalarınızı DPX dosya formatına yeniden kodlaması için de ayarlayabilirsiniz. Bu işlem, tüm KeyCode metaverisini koruyacaktır.

Taramalarınızı DPX olarak yeniden kodlamak için:

- 1 Ekranın üst tarafında bulunan menü çubuğuna gidin ve 'file' (dosya) ibaresi üzerine tıklayın ve sonra medya yönetimini (media management) seçin.
- 2 Medya yönetimi penceresinde, tüm klipleri teker teker yeniden kodlamak için, 'clips' (klipler) ikonunu tıklayın ve 'transcode' (yeniden kodlama) ibaresini seçin.

- 3 Seçtiğiniz saklama dosyasını tarayarak hedef medyanızı seçin ve OK ibaresini tıklayın.
- 4 Timeline’ınızda bulunan tüm medyayı tekrar kodlamak için, ‘transcode all medya’ (tüm medyayı tekrar kodla) seçenek düğmesini etkinleştirin.
- 5 Video ayarlarında, video formatını ‘DPX’ olarak ayarlayın ve arzu ettiğiniz codec ayarını seçin.
- 6 Çözünürlük, otomatikman timeline çözünürlüğüyle eşleşecektir fakat, farklı bir çözünürlüğe yeniden kodlamayı isterseniz ayarı değiştirebilirsiniz. Ayrıca, ‘render at source resolution’ (kaynak çözünürlüğünde hesapla) onay kutusunu aktif hale getirerek de kliplerinizin kaynak çözünürlüğüyle eşleşmesi için ayarlayabilirsiniz.
- 7 Ses ayarlarında, DPX dosyalarınızda dahil olmasını istediğiniz ses kanallarının sayısını seçin veya kaynak kliplerindeki sesle eşleşmeleri için, ‘same as source’ (kaynak ile aynı) ibaresini seçin. İsteddiğiniz ses bit derinliğini de seçin.

Pencerenin alt kısmında bulunan DaVinci ikonları, medyanızın mevcut ebatını ve DPX dosyalarına yeniden kodlanır kodlanmaz medya ebatını size bildirecektir.

- 8 ‘Start’ (başlat) ibaresini tıklayın.

Timeline’ınızda bulunan tüm klipler şimdi, KeyKode gömülü olarak DPX dosyalarına tekrar kodlanacaktır. Cintel Raw dosyalarınızı başka formatlara tekrar kodlama hakkında daha fazla bilgi için, DaVinci Resolve kullanım kılavuzundaki ‘Medya Yönetimi’ bölümüne bakın.

DaVinci Resolve’nin ‘Deliver’ (teslimat) sayfasına gidip, dosyaları DPX dosyaları şeklinde dışa aktarma yoluyla da Cintel Raw dosyalarınızı, gömülü KeyKode’li DPX dosyaları haline getirebilirsiniz. Her bir dosyanın ayrı ayrı dışa aktarılmasını sağlamak üzere, ‘render’ ayarlarında, ‘individual source clips’ (ayrı kaynak klipleri) ibaresini seçtiğinizden emin olun.

Bakım

En iyi tarama kalitesini sağlamak için, tarayıcınızı temiz ve tozsuz tutmanız önemlidir. Bu; temizleme silindirlerini muntazam temizleyerek ve sert lastik silindirler, sürücü çarklar ve kayma plakası dahil olmak üzere tarayıcınızın geri kalan temas yüzeylerini toz temizleme spreyi ile temizleyerek kolaylıkla yapılır.

Temizleme Silindirlerinin Temizlenmesi

Temizleme silindirlerinin ya da kısaca PTR'lerin temizliği, her bir film taramasından sonra yapılmalıdır. Silindirleri temizlemek için, her bir PTR ekseninin ucunda bulunan O-contasını çıkarın ve silindiri kaydırarak çıkarın. Evde kullanılan deterjan ile, silindirlere ılık, sabunlu su uygulayın ve kurumaları için bekleyin. Havlu veya kurutma makinesi ile kurutmanızı tavsiye etmiyoruz çünkü, bu işlem, silindirler üzerinde yeni parçacıklar bırakabilir veya sıcaklık deforme olmalarına neden olabilir. Kuruyunca, silindirleri ve O-contasını geri takın, artık taramak için hazırsınız.

Eğer PTR'lerin çıkarılması veya takılması zorlaşıyorsa O-contalarının iç kısmına, ince bir katman silikonlu gres sürün. Bu işlem, yağlamanın devamlılığına yardımcı olacaktır böylelikle, temizlik için çıkarılıp takılmaları daha kolay olur.



Temizleme silindirlerini (PTR) temizlemek için, her bir PTR milinin ucunda bulunan halka contayı çıkarın ve silindiri dışa çekerek çıkarın.

Temizleme silindirlerinin yıkandıktan sonra bile yapışkanlıklarını kaybettiklerini veya zamanla, yıpranma ve aşınma nedeniyle takılmalarının veya çıkarılmalarının zorlaştığını fark ederseniz www.blackmagicdesign.com/tr adresindeki Blackmagic Design websitesinden, yeni silindirler satın alabilirsiniz.

Sürücü Millerin Temizlenmesi

Gerektiğinde sürücü millerini temizleyin, her yeni film rulosunu taramadan önce milleri temizlemeniz tavsiye edilir. Kullanmadan önce sürücü millerinin kurummasını bekleyin.

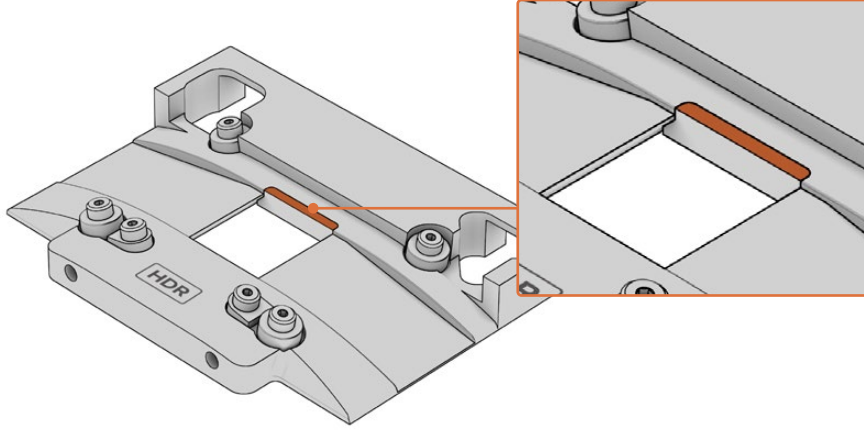
NOT Sürücü millerinin yakınındaki elektronik cihazların sıvılar tarafından hasar görmesini engellemek için dikkat edilmeli. Doku bırakmayan bir bezi sadece az miktarda su ile ıslatın. Sürücü millerini temizlerken çözücü ya da sprey türlerini kullanmayın.

Tarayıcının Tozunun Alınması

Tarayıcınızın tozunu her gün almanız gerekir. Bu; tarayıcınızın film yuvasından, sürücü çarklarından ve filmin temas ettiği diğer yüzeylerden toz ve parçacıkları çıkarmak için bir toz temizleme spreyi ile kolaylıkla yapılabilir. Bu işlem, film yuvası çıkarılmış olarak uygulandığında en iyi sonucu verir.

Toz alma esnasında, tarayıcınızın film yuvasındaki küçük plastik dolguya çok dikkat etmeniz önemlidir. Bu bölgedeki toz birikimi, sabitleme performansını etkileyebileceğinden, bazen nemli bir bezle bu bölgenin silinmesi iyidir.

İsteğe bağlı 8mm film yuvasının tozunu alırken, rulman yüzeylerini ve ışık deliği örtücülerini temizlemek için bir toz temizleme spreyi veya tüy bırakmayan bir bez kullanın. Bunlara ek olarak, aşırı toz birikmesini önlemek için rulman yataklarının ara sıra temizlenmesi gerekir.



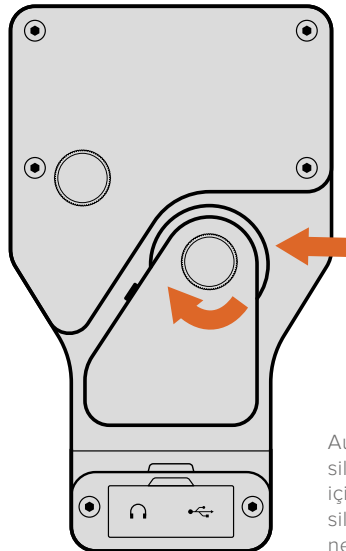
Toz alırken, yuva dolgusuna çok dikkat edin.

Zaman zaman, tarayıcınızın RGB ışık kaynağı üzerindeki merceği temizlemeyi isteyebilirsiniz. Bu, temiz bir bez ve biraz izopropil alkol ile yapılabilir.

Hem toz savar sprey hem de izopropil alkol elektronik malzeme satan mağazaların birçoğundan temin edilebilir.

Audio and KeyCode Reader Silindirlerinin Temizliği

Audio and KeyCode Reader, üstte olan hattından filmin takılması için bir lastik silindir içerir. Bu, zaman zaman nemli bir bez ile temizlenmelidir. Üstteki hatta takılı filmi çıkarın ve biriken tozlardan kurtulmak için, temizleme düğmesini çevirirken, silindire değecek şekilde nemli bir bez tutun.

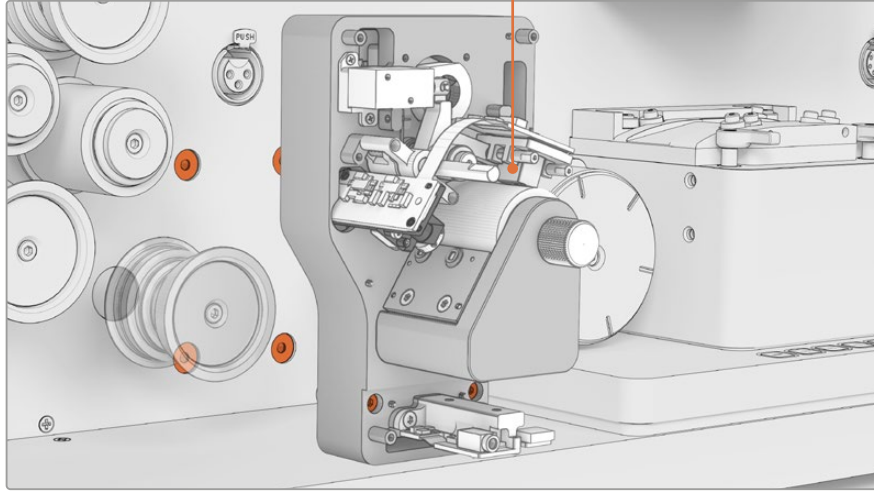
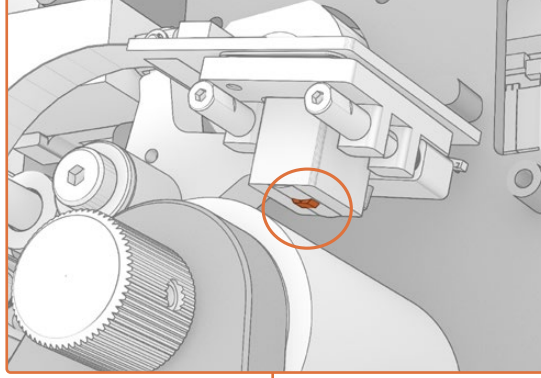


Audio and KeyCode Reader film silindirini temizlemek için, tozu silmek için, silindir düğmesini çevirirken, silindir yüzeyine değecek şekilde nemli bir bez tutun.

Audio and KeyCode Reader'in silindirlerini ve manyetik kafasını temizlemek için, sadece su kullanmanızı öneririz. Alkol, dimetil benzen ve diğer kimyasal maddeler, gerekli değildir ve okuyucu aksesuarlarına zarar verebilir.

Audio and KeyCode Reader'deki Manyetik Kafanın Temizliği

Audio and KeyCode Reader'in manyetik kafasını ara sıra temizlemek isteyebilirsiniz. Manyetik kafayı temizlemek için, 4 adet M3 vidayı, 2.5mm'lik bir alyan anahtarı ile sökerek okuyucunun üst kapağını çıkarın.



Manyetik kafaya ulaşmak için, Audio and KeyCode Reader'in üst kapağını çıkarın.

Manyetik kafa açık haldeyken, bir kulak temizleme çubuğunu suya batırın ve su fazlalığını sallayarak giderdikten sonra, tozu almak için yavaşça manyetik kafanın yüzeyini silin. Okuyucunun üst kapağını tekrar yerine takmadan önce, kafanın birkaç dakika kurummasına izin verin.

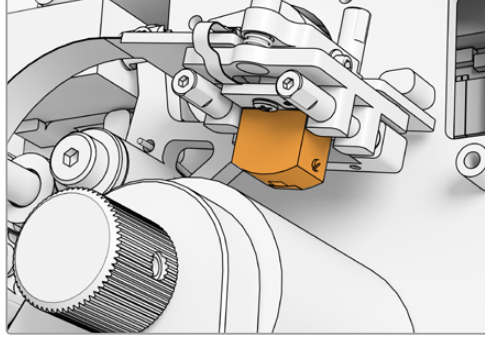
Manyetik kafa üretilirken manyetikliği alınmıştır ve manyetikliğinin bir daha alınmasına gerek yoktur.

Cintel Tarayıcınız için Yedek Parçalar

Cintel tarayıcı ana parçalarının yedekleri, yerel Blackmagic Design destek ofislerinden temin edilebilir. Cintel Scanner'inize bakım yapılması, genellikle kolay ve sezgiseldir ama gerekli olduğunda yardımcı olması için yerel satış merkezinden belgeler temin edilebilir.

Manyetik Kafanın Yenisiyle Deęiřtirilmesi

Manyetik film řeridi, Cintel Audio and KeyCode Reader'deki bant kafasının üzerinden geçtikçe, zaman içinde bu yüzeye sürtünerek kafa aralıęını ařındırır ve ses kalitesini düşürür. Kullanıma baęlı olarak manyetik kafanın her 2 ila 3 yılda bir deęiřtirilmesini öneririz.



NOT Cintel Tarayıcı Manyetik Kafasının iki versiyonu vardır:

Manyetik Kafa Versiyon 1

Manyetik kafanın bu versiyonu artık kullanılmamaktadır ve 6943522'den önce gelen bir seri numarasına sahip eski Audio ve KeyCode Reader'lerde takılıdır.

Manyetik Kafa Versiyon 2

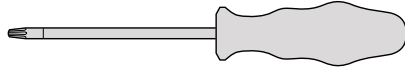
6943522 ve sonrası seri numaralı Audio ve KeyCode Reader'lerde takılı olan bu manyetik kafa, güncel versiyondur.

Audio and KeyCode Reader'inizde ikinci versiyon manyetik kafa takılıysa, manyetik kafayı deęiřtirmek için kullanım kılavuzunun bu bölümündeki yöntemi izleyebilirsiniz.

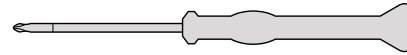
Okuyucunuzda versiyon 1 manyetik kafa takılıysa, versiyon 2 modeline yükseltmeniz gerekir. Bu yükseltme işleminin daha karmaşıktır ve gerçekleştirilmesi için ilave parçalar ve daha fazla teknik beceri gerektirir. Daha fazla bilgi için "Cintel Audio and KeyCode Reader V2 Yükseltme Yöntemi" belgesine bakın. Alternatif olarak, yetkili satış bayiimiz bu yükseltme işlemini gerçekleştirebilir. Yükseltme yöntemi belgesini indirmek veya destek ekibiyle iletişime geçmek için www.blackmagicdesign.com/tr/support adresine gidin. Bu işlem gerçekleştirildikten sonra, servis yöntemi versiyon 2 manyetik kafa ile aynıdır.

Gerekli Aletler

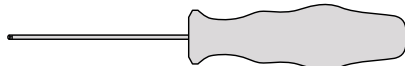
Ařaęıdaki araç listesi gereklidir:



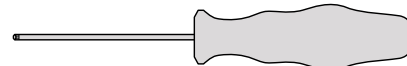
T10 anahtar.



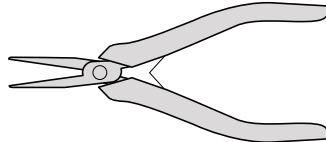
PH 00 tornavida.



1,5 x 60 alyan anahtarı.



2,5mm alyan anahtarı.



Küçük cımbız veya kargaburun pense

NOT En iyi performansı sağlamak üzere manyetik kafayı manyetiksizleştirme işlemine gerek kalmaması için mıknatıslı olmayan aletlerin kullanıldığından emin olun.

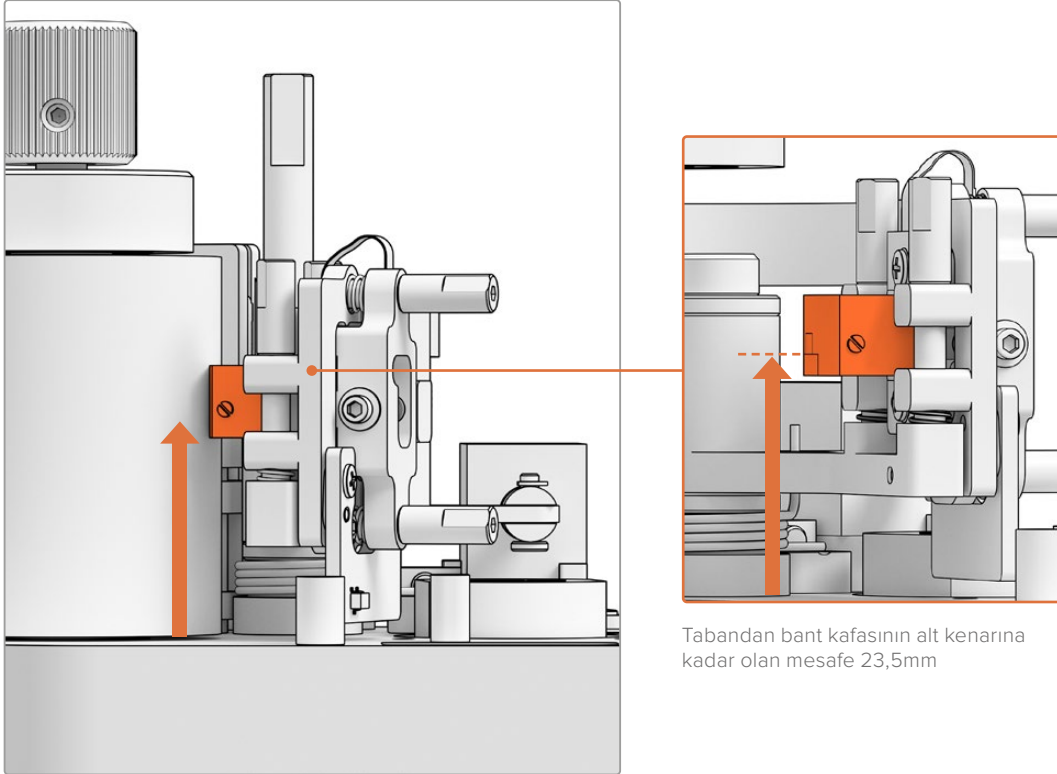
Yükseltmeden Önce

Audio and Keycode Reader'in ideal performansını sağlamak için, ses kalitesini karşılaştırabilmeniz amacıyla manyetik kafayı değiştirmeden önce referans ses kaydetmenizi öneririz.

Aşağıdaki referans film türleri, referans ses için iyi örneklerdir:

- S16mm Bezugs BF16-10A DIN 15638 25fps çoklu frekans manyetik test filmi.
- S16mm SepMag film.
- S16mm film ucu. Beyaz.
- S16mm ComOpt SMPTE P16MF çoklu frekans.
- S35mm ComOpt SMPTE P35MF çoklu frekans.
- Uygun bir kullanıcı referansı Kombine Manyetik ComMag film.
- Uygun bir kullanıcı referansı Kombine Optik ComOpt film.

Orijinal manyetik kafanın konumunu not alın. Bu, yükseltmeyi gerçekleştirdikten sonra okuyucuyu yeniden toplarken izleme kontrolü için gereklidir. Okuyucunun tabanı ile manyetik kafanın temas yüzeyi kenarının arasını ölçtüğünüzden emin olun. Tercihen, bu mesafe yaklaşık 23,5mm olmalıdır.



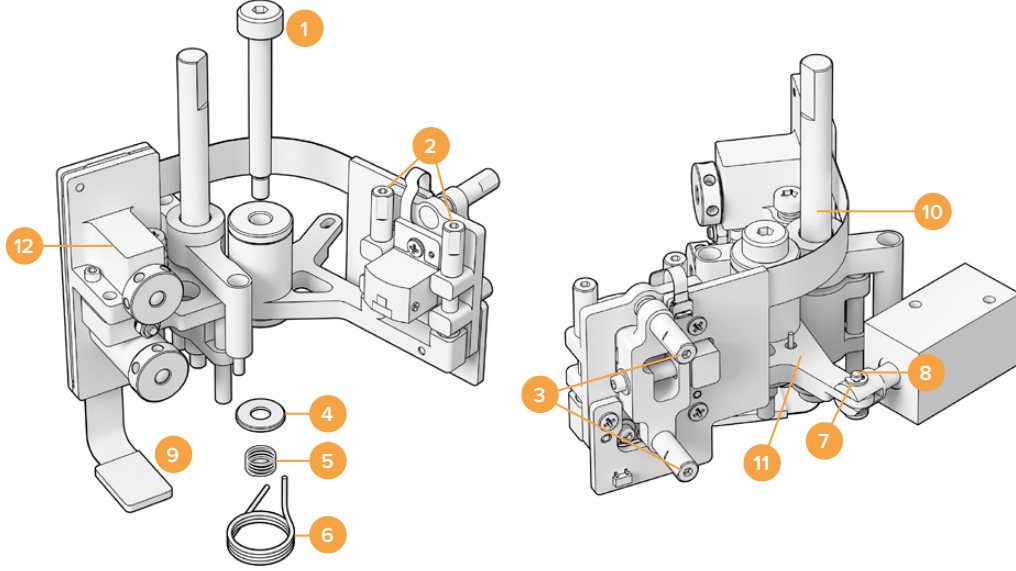
Tabandan bant kafasının alt kenarına kadar olan mesafe 23,5mm

Manyetik kafanın okuyucu tabanından yüksekliği

Takip kontrollerinizi tamamladıktan sonra okuyucuyu tarayıcıdan söküp çıkarabilirsiniz. Talimatlar için bu kılavuzdaki "ses ve KeyCode okuyucunun takılması" bölümüne bakın.

Manyetik Kafa PCB Kartının Deđiřtirilmesi

Manyetik kafayı deđiřtirmeye bařlamadan nce, manyetik kafa alt grubunun paralarını tanımak iin ařađıdaki izime bakın.

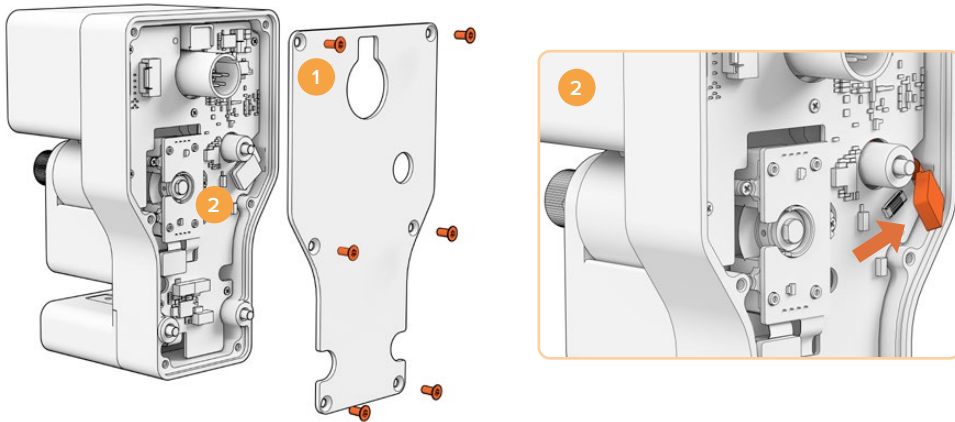


Manyetik Kafa Kolu Alt Grubu

- | | | | |
|---|---|----|-------------------------------|
| 1 | M3 omuzlu civata. | 7 | Ay Segman |
| 2 | Dikey ayar A1 ve A2 eksen vidaları. | 8 | atal bařlı pim. |
| 3 | Eđim ayarı iin B1 ve B2 tepe vidaları. | 9 | Ses kolu PCB kartı konektr. |
| 4 | Yay tutucusu. | 10 | Ykseklik ayarı kaidesi. |
| 5 | n ykleme yayı | 11 | Manyetik kafa kolu. |
| 6 | Manyetik kafa kolu yayı. | 12 | Optik blok. |

Audio and KeyCode Reader'in bileřenlerini tanıdıktan ve gerekli aletlerin hepsini hazırladıktan sonra, manyetik kafayı deđiřtirme iřlemine bařlayabilirsiniz.

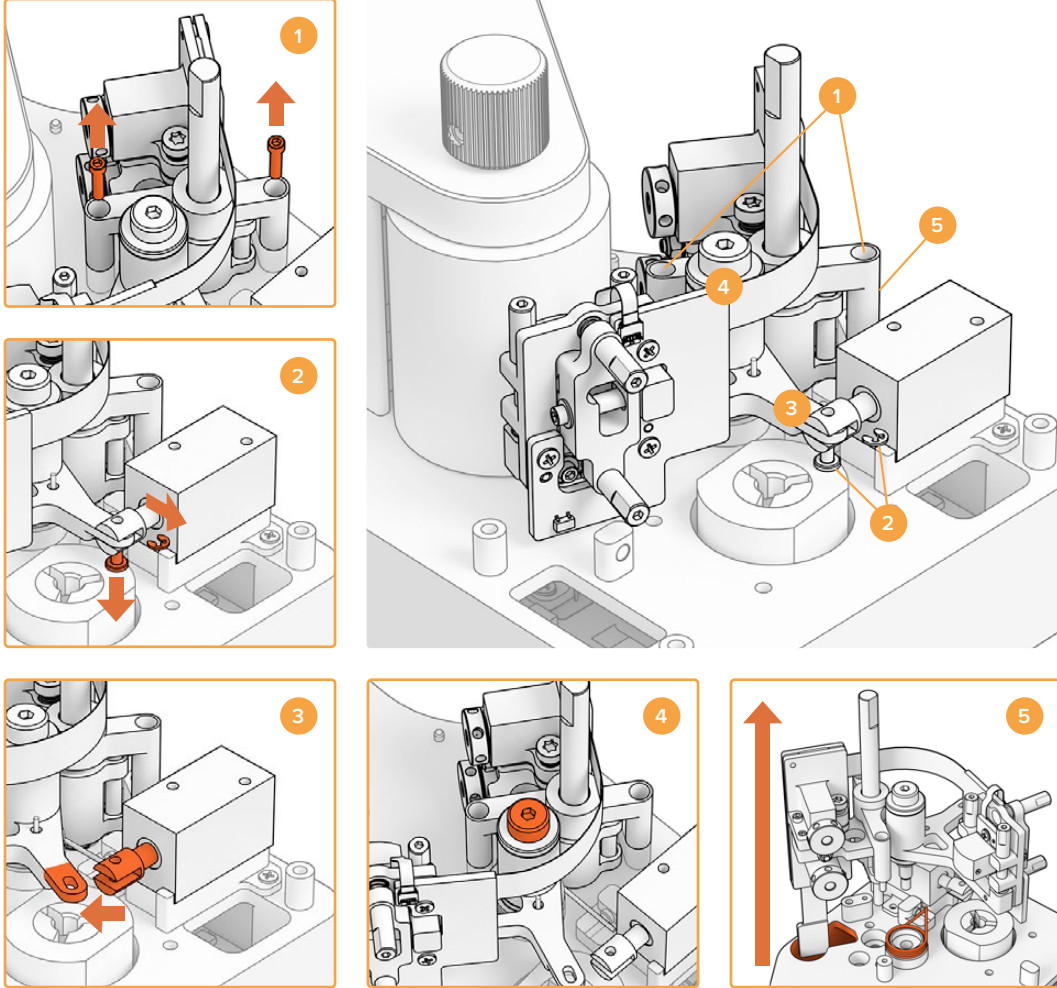
Okuyucudan Arka Plakayı ıkarın



1. Arka Plakanın Sklmesi 2. Alt grup ıkarılması

- 1 Ana PCB kartın arkasına erişmek için arka kapağı çıkarmanız gerekir. Bir T10 anahtar kullanarak altı adet gömme başlı M3 Torks vidayı sökün ve kapağı çıkarın.
- 2 Okuyucunun arkasında, alt grubu ana PCB karttan ayırmak için konektör mandalını açın.

Alt Grubun Sökülmesi



1. Yükseklik ayarı mekanizmasının çıkarılması
2. Sarmal ay segmanı ve Çatal Başlı Pim
3. Manyetik kafa kolunun ayrılması
4. M3 Omuzlu Cıvata
5. Alt grubun sökülmesi

- 1 Okuyucuyu yavaşça arkasına yatırın. 1,5 alyan anahtar kullanarak yükseklik ayar kaidesinin her iki tarafındaki iki adet soket başlı M2 vidayı sökün.
- 2 Bir çift küçük cımbız veya kargaburun pense kullanarak ay segmanı dikkatlice çıkarın. Bu işlem, çatal başlı pimi çekip çıkarmanızı ve kolu solenoidden ayırmanızı sağlar.

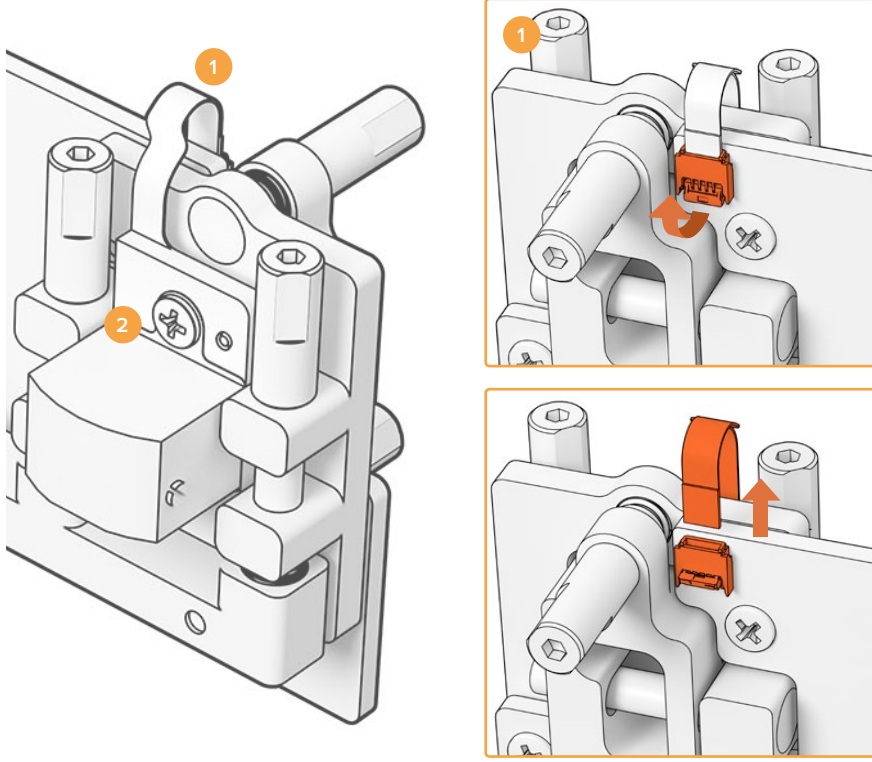
BİLGİ Pimi düzgün bir şekilde çıkarmak için, bu pim halka somun ve solenoid arasındaki boşluktan geçene kadar ses kolunu döndürün. Halka somun, XLR konektörünün arkasında bulunan ve kabloyu sıkıştıran somundur.

- 3 Alt grubu solenoidden ayırmak için manyetik kafa kolunu yana doğru çekin.
- 4 M3 omuzlu cıvatayı çıkarmak için 2,5mm alyan anahtarı kullanın.

- 5 Ses kolu PCB kart konektörünün ana PCB kartındaki delikten geçtiğinden emin olun ve alt grubu okuyucudan dikkatlice çekin. Bu adımda manyetik kafa kolunun yayı yerinden çıkabilir. Alt grubu yeniden toplayana kadar yayı saklayın.

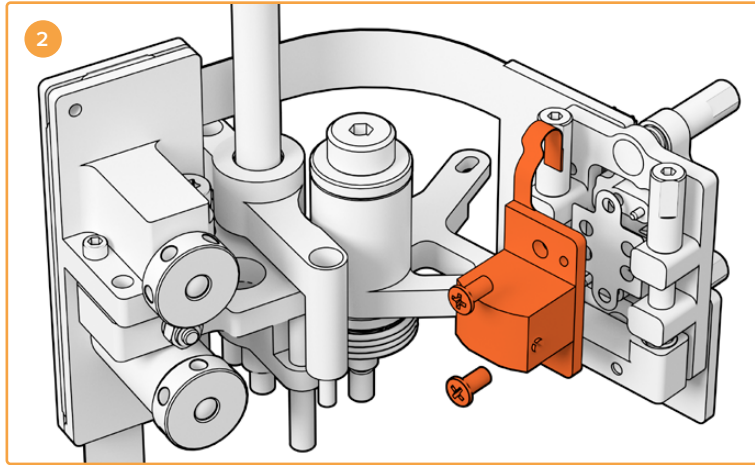
Helezon yay tutucuyu ve ön yükleme yayını, omuzlu civatadan ve manyetik kafa kolu yayını da montaj soketinden çıkarın.

Manyetik Kafanın Sökülmesi



1. PCB konektör mandalı 2. Manyetik kafanın ayrılması

- 1 Ses kolu PCB'sinin arkasında, manyetik kafa esnek PCB'sini serbest bırakmak için konektör mandalını kaldırın. Kilit açıldıktan sonra esnek PCB'yi çekip çıkarın.

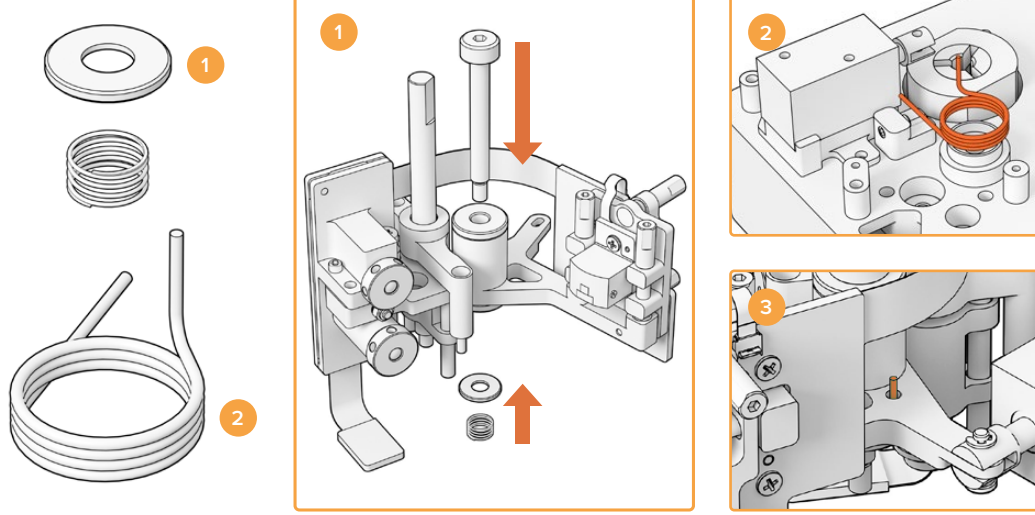


- 2 Orijinal manyetik kafa PCB kartını, manyetiğin yön kaidesinden ayırmak için PH00 tornavida kullanarak iki yıldız başlı M2 vidayı sökün. Artık eski manyetik kafa PCB kartını atabilirsiniz.

Yeni manyetik kafayı takmak için, bu manyetik kafa çıkarma talimatlarını ters sırayla uygulayın.

Alt Grubun Tekrar Toplanması

Manyetik kafa değiştirildikten sonra, alt grubu yeniden toplama ve Audio and KeyCode Reader'e takma işlemine başlayabilirsiniz.



1. Helezon yay tutucu ve ön yüklem yayı 2. Manyetik kafa kolu yayı
3. Manyetik kafa kolu yayını, ses koluna yerleştirin

- 1 Helezon yay tutucuyu, çentikli tarafı aşağı bakacak şekilde M3 vidaya geçirin. Ardından ön yüklem yayını M3 vidaya geçirin.
- 2 Manyetik kafa kolu yayını montaj soketine yerleştirin.
- 3 Ses kolunda, manyetik kafa kolu yayının yukarı bakan ucunun girmesi için küçük bir delik vardır. Alt grubu takarken, yayın yukarı bakan ucunu bu deliğe yerleştirin.
- 4 Bu yayları alt gruba ve montaj soketine yerleştirdikten sonra, alt grubu okuyucuya takabilirsiniz. Önceki bölümlerdeki sökme talimatlarını tersinden uygulamanız yeterlidir.

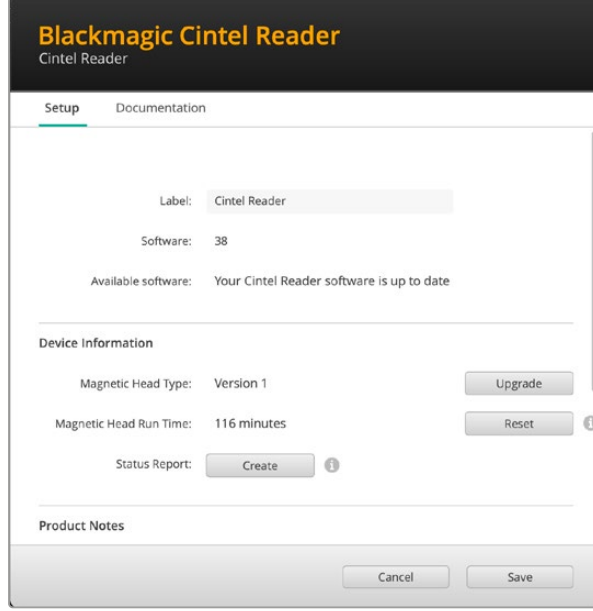
BİLGİ Alt grubu okuyucuya takarken, ses kolu PCB konektörünün, ana PCB kartındaki küçük delikten geçtiğinden emin olun.

Alt grup montajı tamamlandığında, artık Audio and KeyCode Reader'inizi Cintel Tarayıcınıza tekrar takabilirsiniz. Okuyucuyu Cintel'in XLR bağlantısına bağlayın ve üç M3 kilitleme vidası ile sabitleyin.

Kalibrasyon ve test işlemi için parçalara erişmeniz gerekeceğinden, okuyucunun ön kapaklarını henüz takmayın.

Manyetik Kafa Çalışma Süresinin Sıfırlanması

Audio and KeyCode Reader'in manyetik kafasını değiştirdikten sonra, Cintel Setup yardımcı yazılımını kullanarak çalışma süresi sayacını sıfırlamanız gerekir.



“Device Information” isimli cihaz bilgileri bölümünde, “Reset” etiketli sıfırlama butonunu tıklayın. Bu işlem, çalışma süresi sayacını sıfırlar, böylece yeni manyetik kafanın kullanımını takip edebilir ve bir sonraki değiştirme zamanı için kayıt tutabilirsiniz.

Cintel Kurulum yardımcı programındaki “upgrade” etiketli yükseltme butonu, yalnızca manyetik okuyucu donanımını versiyon 1'den 2'ye yükseltmek içindir. Daha fazla bilgi için, www.blackmagicdesign.com/tr/support adresinden destek ekibiyle iletişime geçin.

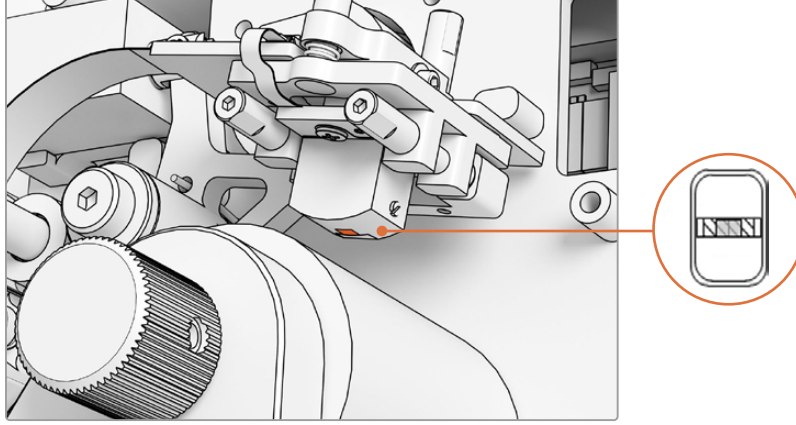
Kafa Hizalamasının Doğrulanması

Yüksek kalite ses kaydı için ve manyetik kafadaki dengesiz aşınmayı asgariye indirmek için manyetik kafanın doğru hizalanması gereklidir.

Orijinal veri dosyalarınızla karşılaştırmak üzere uygun optik ve manyetik ses dosyalarını kaydetmek için DaVinci Resolve'yi kullanın. Güncellenmiş manyetik kafanın tepkisini test etmek için aşağıdaki referans filmleri kullanmanızı öneririz:

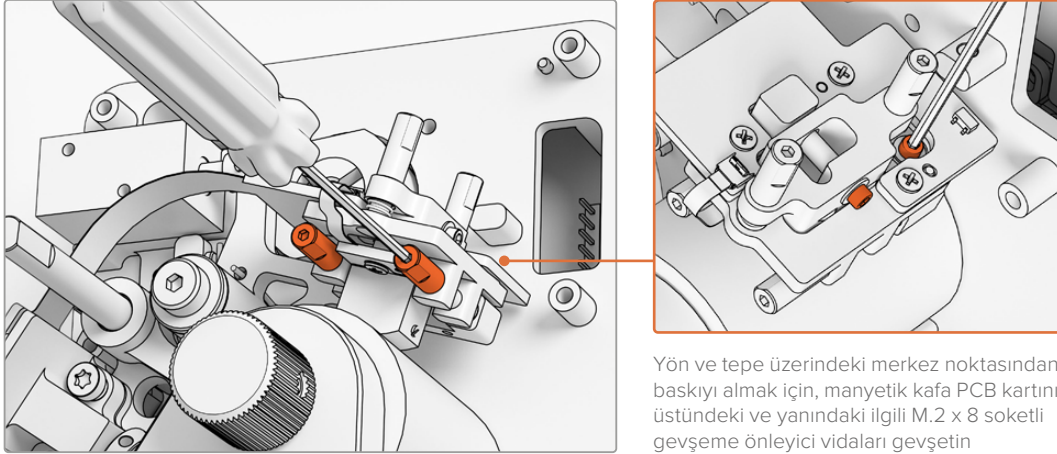
- S16mm Bezugs BF16-10A DIN 15638 25fps çoklu frekans manyetik test filmi.
- S16mm SepMag film.
- S16mm film ucu. Beyaz.
- S16mm ComOpt SMPTE P16MF çoklu frekans.
- S35mm ComOpt SMPTE P16MF çoklu frekans.
- Uygun bir kullanıcı referansı Kombine Manyetik Film veya CoMAG ve Kombine Optik veya ComOpt Filmler.

Manyetik Kafa



Audio and KeyCode Reader içindeki manyetik kafa

Manyetik kafanın konumunu ve açısını ayarlarken; sapma, tepe, izleme yüksekliği ve yön değerlerine dikkat edin. A1 ve A2 vidalarıyla yön ve izleme değerlerini ve gerekirse B1 ve B2 vidalarıyla tepe ve sapma değerlerini ayarlamak için 1,5 x 60 alyan anahtarını kullanın.

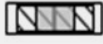


A1 ve A2 vidalarını 1,5mm alyan anahtarını ile çevirerek manyetik kafanın yön açısının ayarlanması

Yön ve tepe üzerindeki merkez noktadan baskıyı almak için, manyetik kafa PCB kartının üstündeki ve yanındaki ilgili M.2 x 8 soketli gevşeme önleyici vidaları gevşetin

Aşınma şeklinin kontrol edilmesi:

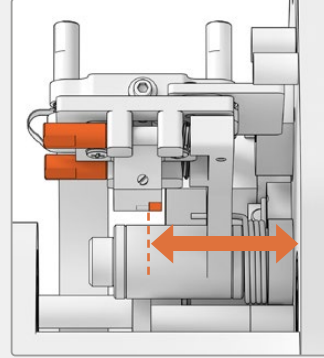
- 1 Bant kafası yüzeyini bir keçeli kalemle işaretleyin.
- 2 16mm film ucu ile film aktarımını yalnızca 3 ila 5 saniye çalıştırın.
- 3 Kafa boşluğunun her iki tarafında dengeli aşınma için kafa aşınma şeklini inceleyin ve gerektiği gibi ayarlayın. İşlemi birden fazla kez yapmak gerektiğinde, daha fazla işaret ekleyin.
- 4 Sonuçtan memnun kaldıktan sonra işaretleri alkol ile temizleyin.



Doğru hizalama, aşınma şeklinin dengeli olmasını sağlar.

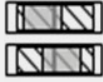
Takip Ayarı

Kafayı 16mm SepMag film rayına fiziksel olarak hizalamak için yatay azimut A1 ve A2 vidalarını kullanın. Manyetik kafa yüzünün kenarı ile okuyucu tabanı arasındaki mesafenin, geri toplamaya başlamadan önce ölçüldüğü gibi, yaklaşık 23,5mm olarak ayarlamayı hedeflemelisiniz. Tüm ayar vidalarının yaylı ve gres yağlı olduğunu, bu nedenle baskı uygulamanın gerektiğini unutmayın.

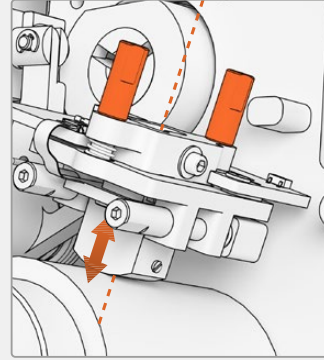


Yükseklik Ayarı

Manyetik kafa yüksekliğini ayarlamak için dikey B1 ve B2 vidalarını eşit şekilde çevirin. Film hizalamasına göre kafanın yüksekliğini inceleyin. Bu, aşınma şeklinin manyetik kafadaki boşlukla ortalandığından emin olmaya yardımcı eder.

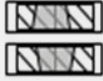


Yanlış yükseklik, dengesiz bir aşınma şekline neden olur.

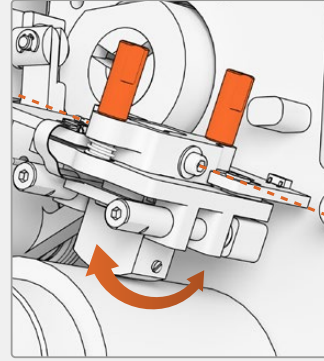


Zenit

Eğim olarak da bilinen zenit açısını ayarlamak için dikey B1 ve B2 vidalarını ayrı ayrı çevirin. Film hizalamasına göre kafanın tanjant açısını inceleyin. Bu, boşlukla temastan kaynaklanan aşınmanın eşit olmasını sağlamaya yardımcı olur.



Yanlış zenit, dengesiz bir aşınma şekline neden olur.

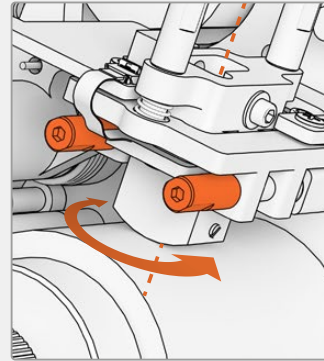


Azimut

Azimut ayarı için yatay A1 ve A2 vidaları, kafanın düşey konumunu ayarlar. Maksimum sinyal modülasyonu ve faz doğrusalığını Azimut A1 ve A2 vidaları ile ayarlayın.

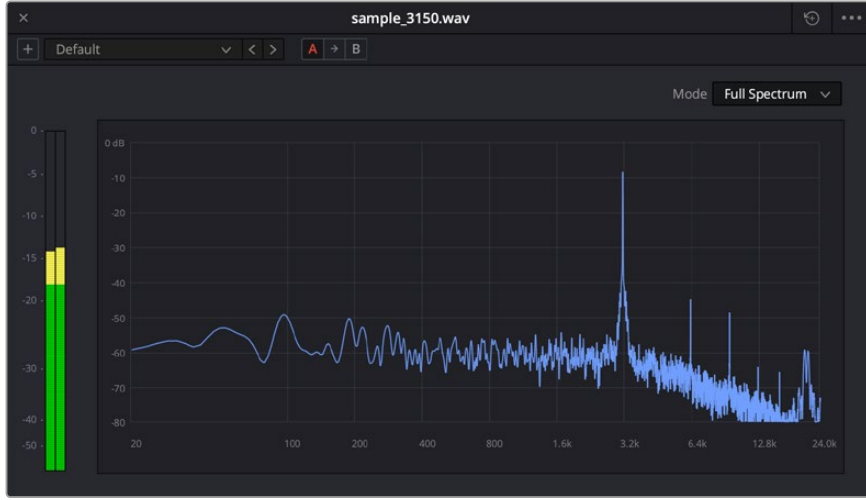


Yanlış azimut, dengesiz bir aşınma şekline ve yüksek frekans tepkisinin zayıf olmasına neden olur.



NOT Yeni manyetik kafanın ayarından ve performansından memnun kaldığınızda, M.2 x 8 soketli gevşeme önleyici vidaları çevirerek azimut ve zenit açılı vidalarını tekrar kilitleyin.

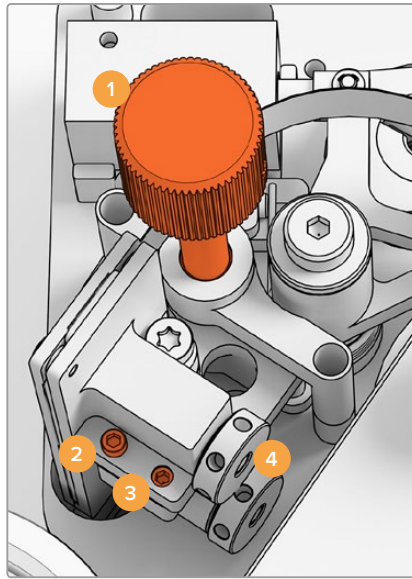
BİLGİ Mümkün olduğunca yüksek frekanslı bir test tonu filmi kullanın, 10kHz tercih edilir. Resolve'de .wav dalgı şeklini ve FFT'yi kaydedin ve Fairlight'taki "Frequency Analyser" isimli frekans analizi araç setini kullanarak inceleyin. Alternatif olarak, kulaklık çıkışı portu veya tarayıcı için Desktop Video ses cihazı aracılığıyla üçüncü parti bir canlı analiz aracı kullanabilirsiniz.



Frekans analizci 3.15kHz W&F kanal örneđi.

Optik Blok Hizalamasının Doğrulanması

Optik ses lenslerinin hizalandığını teyit ederek optik ses bloğunun düzgün çalıştığından emin olun.



1. Ses kanalı tarama ayar düğmesi
2. Azimut ayarı M2 vidası
3. Azimut kilidi M3 vidası
4. Optik ses lensleri

Ses Kanalı Takip Yüksekliđi

Optik ses lenslerini 16mm ve 35mm filmdeki ses kanallarıyla hizalamak için ses kanalı tarama yüksekliđi ayar düđmesini kullanın. Lenslerin, her bir ayrı ses kanalını diđerini kırpmadan kapladığından emin olun. Bir Kombine Optik film veya ComOpt kaydederek ve DaVinci Resolve Fairlight sayfasındaki “Frekans Analizci” aracını kullanarak, dalga şeklini ve FFT’yi inceleyerek sesin gücünü ölçebilirsiniz. Alternatif olarak, kulaklık çıkış portu veya tarayıcı için Desktop Video ses cihazı aracılığıyla üçüncü parti bir canlı analiz aracı kullanabilirsiniz.

Azimet

Optik blok için azimet değeri, fabrikada önceden ayarlanmıştır. Aşağıdaki adımları yalnızca azimetu ayarlamanız gereken olası durumlarda uygulayın.

- 1 1,5mm alyan anahtarı kullanarak azimet kilidi M3 vidasını gevşetin.
- 2 Yüksek frekanslı stereo 35mm test tonu filmi kullanarak, sol ve sağ ses kanallarının dengeli ve aynı fazda olduğundan emin olmak için azimet M2 ayar vidasını çevirin.
- 3 Sonuçlardan memnun kaldığınızda, azimet kilit vidasını kilitleyerek azimetu sabitleyin.

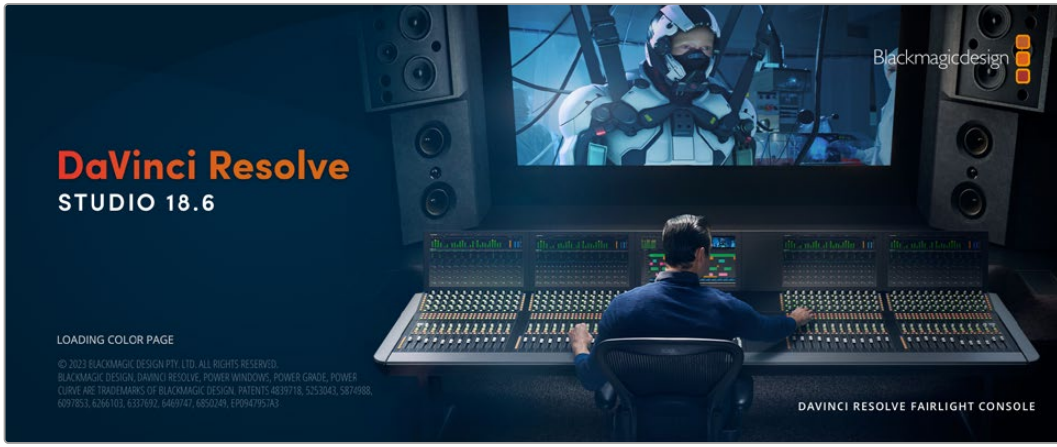
NOT Azimet kilit vidasının sıkılması, bazen azimet ayarlarını hafifçe etkileyebilir. Bu durumda, yukarıdaki adımları tekrarlamamız yeterlidir.

Manyetik kafa ve optik ses bloğunun kalibrasyonunu tamamladıktan sonra, ön kapağı tekrar takın ve dört adet M3 kilitleme vidasını 2,5mm alyan anahtarı ile tekrar takın. Kapak sabitlendiğinde, 1,5mm alyan anahtarı kullanarak ayar düđmesini yeniden takabilirsiniz.

DaVinci Resolve'de Kliplerle Çalışma

Kliplerinizi taradıkça sürekli yedeklemeler oluşturmak için, DaVinci Resolve'nin 'media' (medya) sayfasındaki klonlama aracını kullanabilirsiniz. Her türlü medya hasar görmeye veya bozulmaya yatkın olduğu için, taranan dosyaların yedeklerinin oluşturulması kayba karşı koruyacağından, bu işlem önerilir. Medyanızı yedeklemek için DaVinci Resolve'yi kullandıktan sonra, kliplerinizi DaVinci Resolve medya havuzuna ilave edebilir, sonra kliplerinizi bir timeline içinde düzenleyebilir, renk düzeltme yapabilir ve DaVinci Resolve'den bir an bile çıkmadan yapınızı tamamlayabilirsiniz.

BİLGİ HDR klipleri, kliplerin küçük resimlerinin sol alt köşesindeki HDR ikonundan tespit edebilirsiniz.



Cintel Scanner geniş dinamik aralıklı bir CRI ham görüntüsü yakaladığından, DaVinci Resolve, istediğiniz görünümü elde etmeniz için, çekimlerinizi ayarlamanıza yardımcı olacaktır. DaVinci Resolve, gişe rekoru kıran büyük sinema filmlerinde kullanılan aracın aynısıdır ve üst düzey dijital film için oldukça ileri teknolojiye dahili olarak sahiptir; bu yüzden basit bir NLE yazılım aracının ötesindedir. Taramalarının kurgu ve renk düzeltme işlemleri için DaVinci Resolve'yi kullandığınızda, bu teknolojiden yararlanırsınız.

Taranan dosyalarınızla DaVinci Resolve'yi kullanmaya nasıl başlayacağınız hakkında bilgi, buraya dahil edilmiştir. DaVinci Resolve; son derece gelişmiş araçlara sahiptir ve kullanıcı arayüzüne ilk bakışta görebildiğiniz özelliklerden çok daha fazlasını sunar. DaVinci Resolve'nin kullanımı hakkında daha fazla bilgi için, Blackmagic Design internet sitesinde DaVinci Resolve kullanım kılavuzuna bakın. Burada, birçok eğitim kursu ve öğretici videolar da bulabilirsiniz.

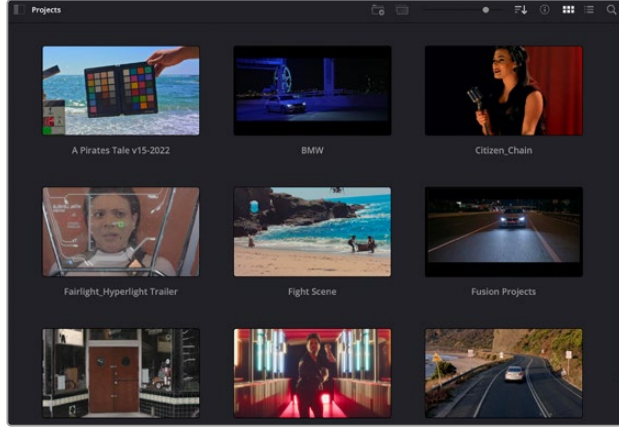
Project Manager (Proje Yöneticisi)

Kliplerinizi yazılıma aktarmadan ve kurgulamaya başlamadan önce, proje yöneticisini kullanarak projenizi düzenlemeniz gerekir.

DaVinci Resolve'yi başlatırken, göreceğiniz ilk ekran proje yöneticisidir, ancak kullanıcı arayüzünün sağ alt köşesindeki 'home' (ana sayfa) ikonunu tıklayarak yöneticiyi istediğiniz zaman açabilirsiniz. Bu, daha önceki projeleri açmak istediğinizde veya yenilerini oluşturmak istediğinizde faydalıdır.

Yeni proje açmak için ekranın alt bölümündeki 'new project' (yeni proje) butonu üzerine tıklayın ve projenize bir isim verin. 'Create' (oluştur) ibaresini tıklayın.

'Cut' isimli hızlı kurgu sayfasını kullanarak kurgunuz üzerinde hemen çalışmaya başlayabilirsiniz.



Proje yöneticisi, şu anki kullanıcıya ait tüm projeleri gösterir

Proje yöneticisi hakkında daha fazla bilgi için, Blackmagic Design internet sitesi destek sayfasından indirilebilen DaVinci Resolve kullanım kılavuzuna başvurun.

Cut (Hızlı Kurgu) Sayfası ile Kurgu

Hızlı kurgu sayfası olan 'cut' sayfası; klipleri hızla biraraya getirmeniz, ince ayar yapmanız ve etkili bir şekilde kurgulamanızı sağlayan, hızlı bir dinamik kurgulama iş akışı sunar.

İki adet aktif timeline, kurgunuzun tamamıyla çalışmanızı sağlamanın yanı sıra, ayrıntılı bir bölgeyle de aynı anda çalışmanızı sağlar. Bunun anlamı, büyük timeline üzerinde herhangi bir yere klipler bırakabileceğiniz ve sonra, aynı çalışma alanı dahilindeki ayrıntılı timeline'de kurgunuzu geliştirebileceğinizdir. Bu iş akışını kullanarak, optik yakınlaştırmaya ve uzaklaştırmaya gerek duymadan ve çalıştıkça görüntüyü kaydırarak bir dizüstü bilgisayarda kurgulayabilirsiniz.

Cut Page (Hızlı Kurgu Sayfası) Düzeni

Hızlı Kurgu sayfasını açtığınız zaman, bir medya havuzu, görüntüleyici pencere ve zaman çizelgesini göreceksiniz. Bu üç ana pencere, kurgunuz üzerinde size mutlak kontrol sağlar.



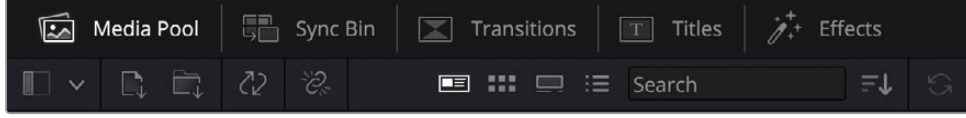
Medya havuzu ikon görünümündeyken, "cut" yani hızlı kurgu sayfasının varsayılan çalışma alanı

“Cut” sayfası hakkında daha fazla bilgi için, DaVinci Resolve kullanım kılavuzundaki “The Cut Page” isimli bölüme bakın.

Medya Sekmeleri

Kullanıcı arayüzünün sol üst köşesinde 5 adet sekme göreceksiniz.

Kurgunuzu oluştururken, kullanacağınız medya araç takımlarını açmak için, bu sekmelerin üzerine tıklayın. Örneğin; ilk sekme medya havuzudur ve zaten seçili olduğunu görebilirsiniz. Diğer sekmeler; senkron bin, medya geçişleri, yazılar ve efektler içindir.



Medya Havuzu (Media Pool)

Medya havuzu, medya sayfası ile yazılıma aldığınız; tüm kliplerinizi, klasör ve dosyalarınızı içerir. Ayrıca, Hızlı Kurgu sayfasından da dosyaları doğrudan içe aktarabilirsiniz yani, yazılıma yeni bir klip aktarmak için medya sayfasına geri dönmenize gerek yok.

Senkron Bin (Sync Bin)

Bu etkili özellik; zaman kodu, tarih ve saat üzerinden tüm kliplerinizi otomatik olarak senkronize eder. Böylece, çok kameralı bir projede, tüm kameralardan açılar seçebilirsiniz.

Geçişler (Transitions)

Yakındaki geçişler sekmesini tıklarsanız kurgunuzda kullanabileceğiniz, tüm video ve ses geçişlerini göreceksiniz. Bunlara, çapraz erimeler ve hareketli silmeler gibi yaygın geçişler dahildir.

Yazılar (Titles)

Geçişlerin yanında ‘yazılar’ sekmesi vardır. Burada, kullanmak istediğiniz yazı türünü seçebilirsiniz. Mesela; kayan yazı, standart yazı veya ekran altı yazısı. Ayrıca, DaVinci Resolve’nin ‘Fusion’ sayfasında kişiselleştirilebilen daha hareketli dinamik yazılar için kullanabileceğiniz, Fusion şablonlarının bir listesi de vardır.

Efektler (Effects)

Beşinci sekme ‘efektler’ sekmesidir. Kurgunuza daha çok canlılık getirmek üzere kullanabileceğiniz; uyarlanabilir bulanıklıklar, parlamalar ve mercek efektleri gibi tüm farklı filtreleri ve efektleri bu sekme sağlar. İçinden seçebileceğiniz birçok etkili efekt var ve arama aracını kullanarak onları hızla bulabilirsiniz.

BİLGİ Aradığınız öğeleri eksiksiz bulmak için, medya sekme ikonlarının yanındaki arama aracını kullanın. Örneğin; geçişler sekmesini seçtiyseniz arama aracına “erime” (dissolve) yazın ve görüntüleyicide sadece erime geçiş türleri gösterilecektir. Bu da aradığınız erime geçişini bulmanızı hızlandıracaktır.

Görüntüleyici Sekmeleri

Görüntüleyici penceresinin sol üst köşesinde, görüntüleyici mod butonlarını göreceksiniz.



Görüntüleyici mod butonları

Bu butonlar; 'kaynak klip' (source clip), 'kaynak kaset' (source tape) ve timeline dahil olmak üzere, şu anda kullanılan görüntüleyiciyi kontrol eder. Kurgunuz için klipler seçerken, bu görüntüleyici modları size çok büyük miktarda kontrol sağlar ve nasıl çalışıklarına bakmak için bir iki dakika harcamanıza deęecektir.



	Kaynak Klip (Source Clip)	Kaynak klip görüntüleyicisi, medya havuzundan bir tek klipi görüntüler ve görüntüleyici timeline'sinin tüm uzunluğu boyunca, giriş ve çıkış noktalarını belirleyebilirsiniz. Bu, size daha fazla kontrol sağlar. Medya havuzundaki bir klip üzerine çift tıklayarak veya onu görüntüleyiciye sürükleyip bırakarak, görüntülemek için bir kaynak klip seçin.
	Kaynak Kaset	Kaynak kaset, medya havuzundaki kaynak kliplerin hepsini göstermeni sağlar. Belli bir olayı bulmak için tüm kliplerinizin arasında hızlıca aramak istediğinizde, bu etkili özellik faydalıdır. Oynatma çubuğunu klipler üzerinde sesli sürüklediğiniz esnada, bu kliplerin küçük resimlerinin medya havuzunda seçildiklerini göreceksiniz. Bunun anlamı; kurgulamak istediğiniz klipi bulur bulmaz, kaynak klip sekmesi üzerine tıklayabileceğiniz ve ilgili kaynak klipin görüntüleyicide otomatik olarak görüntüleneceğidir. Kaynak kaset görüntüleyicisi; kurgunuz üzerinde çalışmanızı, çabucak çekimleri bulmanızı, yeni fikirler denemenizi ve anı yaşamınızı mümkün kılarak, doğrusal olmayan (sayısal) kurgulama tarzından gerçekten istifade etmenizi sağlar.
	Timeline	Timeline görüntüleyici kurgu timeline'sini görüntülemenizi mümkün kılarak projenizi oynatabilmenizi ve kurgunuzu geliştirmenizi sağlar.

Medya Havuzuna Klipleri Aktarma

Artık projenize medya aktarmaya başlayabilirsiniz. Bunu; hızlı kurgu sayfasının medya havuzu penceresinde, üstteki içe aktarma araçlarını kullanarak yapabilirsiniz.



Projenize medya eklemek için içe aktarma seçeneklerinden birini seçin.

	İçe Medya Aktarma	İçe medya aktarma (import media) seçeneği, depolama yerinizden seçtiğiniz tekil medya dosyalarını içe aktarır.
	İçe Medya Klasörü Aktarma	Medya deponuzdan bir klasörü içe aktarmak için 'import media folder' seçeneğini seçin. Bir klasörü içe aktarırken, DaVinci Resolve, her bir klasörü ayrı bir bin olarak ele alarak dosya yapısını muhafaza edecektir. Böylelikle, videolarınızı ve diğer medya dosyalarını bulmak için bin'ler arasında gezinebilirsiniz.

İçe Medya Aktarmak için:

- 1 'Import media' (içe medya aktar) veya 'import media folder' (içe medya klasörü al) ikonu üzerine tıklayın.

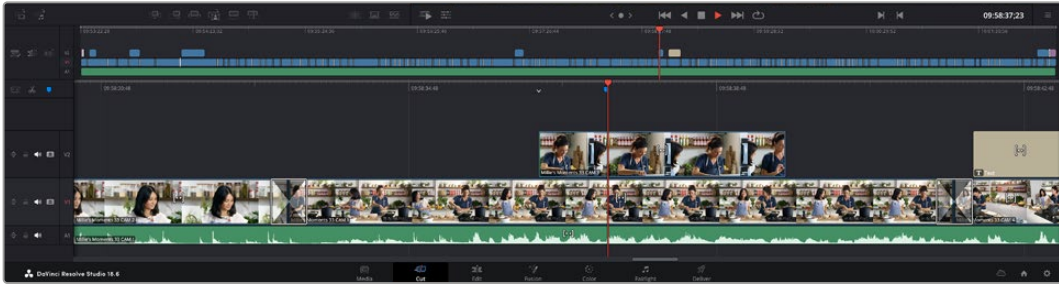
- 2 İçe aktarmak istediğiniz medya için medya deponuza gidin.
- 3 Dosyayı veya klasörü seçin ve 'open' (aç) ibaresini tıklayın.

Projenize medyayı ekler eklemeyiz, değişiklikleri kaydetmeniz önerilir. DaVinci Resolve; 'live save' isminde, hızlı ve faal bir otomatik canlı kaydetme özelliği içerir. Projenizi bir kez kaydettikten sonra, değişiklikler yaptıkça 'live save' bunları kaydedecek ve yaptığınız işin kaybolma tehlikesini ortadan kaldıracaktır.

'Live save' ve diğer otomatik kaydetme özellikleri hakkında daha fazla bilgi için, DaVinci Resolve Kullanma Kılavuzuna bakın.

Timeline'ye Kliplerin Eklenmesi

Medya sekmeleri ve mod butonlarıyla artık aşına olduğunuzu göre, medya havuzunu açabilir ve timeline'nize klipler eklemeye hızla başlayabilirsiniz.



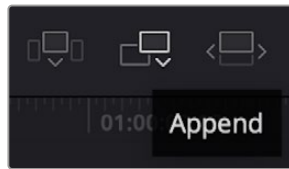
Hızlı kurgu sayfasının timeline'si; üstteki timeline ve alttaki yakınlaştırılmış timeline'yi içerir.

Timeline, kurgunuzu geliştirdiğiniz yerdir ve kliplerinizi iliştirebildiğiniz, hareket ettirebildiğiniz ve ince ayar yapabildiğiniz, kanalları olan bir pano gibidir. Kanallar; klipleri diğer kliplerin üzerine yerleştirmenizi mümkün kılarak, farklı kurgular denemeniz ve geçişler ile efektler oluşturmanız için size daha çok esneklik sunar. Örneğin; altındaki kanallarda bulunan diğer klipleri etkilemeden, bir kanaldaki bir kliple bir kurguyu deneyebilirsiniz.

Timeline'ye klip eklemenin farklı yolları vardır, mesela; akıllı yerleştirme (smart insert), sonuna ekleme (append), üstüne koyma (place on top) ve fazlası.

Klipleri Sona Ekleme İşlemi

Çekim tekrarlarını seçerken ve bir kurguyu meydana getirirken, bu çekimleri art arda timeline'nize eklemeyi istemeniz muhtemeldir. Bu görev için 'sona ekleme aracı' (append tool) mükemmeldir ve çok hızlı bir şekilde kurgulamaya başlamanızı sağlar.



Sonuncu klibin sonuna hızla klipler eklemek için 'append' (sona ekle) ikonu üzerine tıklayın.

Bir klibi sona eklemek için:

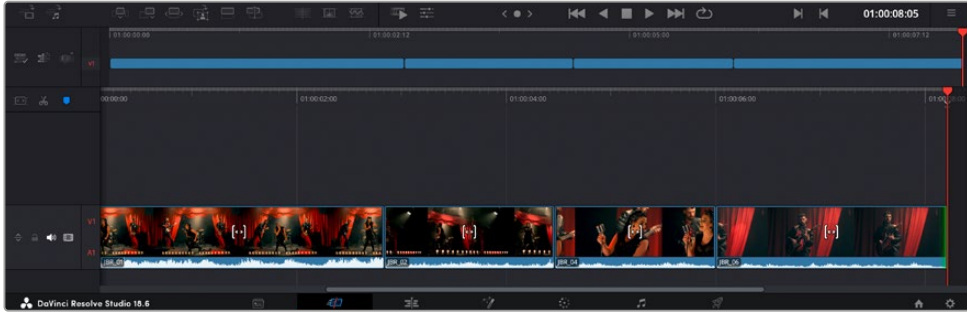
- 1 Medya havuzundaki bir klibi, görüntüleyicide açmak için, üzerine çift tıklayın.
- 2 Çekiminizin kesin doğrulukta süresini ayarlamak için, 'scratch trim tool' ismindeki ince ayar aracını kullanarak çekimin giriş (in) ve çıkış (out) noktalarını sürükleyin. Giriş ve çıkış noktalarını ayarlamak için 'i' ve 'o' klavye kısa yollarını da kullanabilirsiniz.



3 Şimdi medya havuzunun altındaki 'append' (sona ekle) ikonunu tıklayın.

İlk klibiniz, timeline'in başlangıcına yerleştirilecektir.

Daha fazla klip eklemek için, 1'den 3'e kadar olan basamakları tekrarlayın ve klipler otomatik olarak sona eklenerek timeline üzerinde hiçbir boşluk kalmamasını sağlar.



Kliplere 'sona ekleme' (append) uygulamak, timeline'de aralarından hiçbir boşluk kalmamasını sağlar.

BİLGİ 'Sona ekle' (append) ikonuna bir klavye kısa yolu atayarak, bu işlemi daha da hızlandırabilirsiniz. Örneğin, 'P' tuşunu atarsanız giriş ve çıkış noktalarınızı 'I' ve 'O' tuşlarını kullanarak ayarlayabilir ve sonra klipi sona eklemek için 'P' tuşuna basabilirsiniz. Kısayol tuşlarını atama konusunda bilgi için DaVinci Resolve kullanım kılavuzuna bakınız.

Klipleri Zaman Çizelgesinde Kurgulama

Kliplerin zaman çizelgesine eklenmesiyle, klipleri zaman çizelgesi üzerinde hareket ettirmek ve onlara ince ayar yapmak için mutlak kontrolünüz vardır.

Bir kurguya ince ayar yapmak için; klibin başlangıcı veya sonu üzerinde fareni tutun ve sonra tıklayıp sağa veya sola sürükleyin. Mesela; klibin süresini azaltmak veya artırmak üzere, klibin sonunu sola veya sağa sürükleyin. Bu düzenlemeden sonra, tüm kliplerin bu yeni düzeltmeye uyum sağlamak için timeline üzerinde kaydıklarını fark edebilirsiniz. Bu, zamandan kazanmanıza yardımcı olmak için 'hızlı kurgu' sayfasının kullandığı bir yoldur.

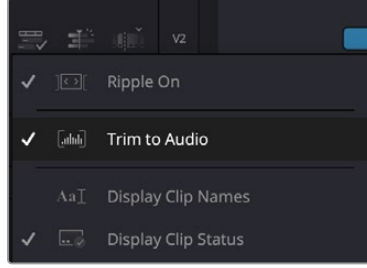
Hatta bir klipi alıp, yaklaştırmaya veya uzaklaştırmaya gerek kalmadan, büyük zaman çizelgesindeki yeni bir video kanalına bırakabilirsiniz. Bu, uzun bir zaman çizelgesinde gezinerek harcadığınız zamanı asgariye indirdiği için, kurgu sürecini hızlandırır.

Audio Trim (Ses Kırpma) Görünümü

Ses kırpma görünümü, zaman çizelgesindeki ses dalga biçimini büyütürken daha hassas ses düzenlemeleri yapmanıza yardımcı eder. Bu, bir diyalog sahnesini veya bir müzik klibini düzenlerken kullanışlıdır ve kelimeler veya ritimler arasında bir düzenleme noktası bulmayı kolaylaştırır.

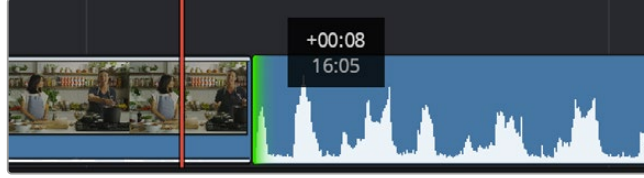
Ses Kırpma görünümünü kullanmak için:

- 1 “Zaman çizelgesi seçenekleri” simgesini tıklayın ve “trim to audio” ibareli sese göre düzenlemeyi seçin.



“Trim to audio” etiketli sese göre düzenleme seçeneği

- 2 Artık bir düzenlemeyi kırarken, zaman çizelgesinde büyütülmüş bir dalga şekli göreceksiniz. Zaman çizelgesindeki klipler, kırpmayı tamamladığınızda normal boyutlarına geri dönecektir.



Ses düzenleme görünümü, zaman çizelgesindeki ses dalga şeklini büyütür

‘Hızlı kurgu’ sayfasını kullanarak klipleri kurgulamayı bitirdikten sonra, bir başlık eklemeyi isteyebilirsiniz. Bunun nasıl yapılacağını bir sonraki bölüm size gösterecek.

Yazıların Eklenmesi

Timeline üzerine bir yazı eklenmesi kolay ve birçok seçeneğiniz var.

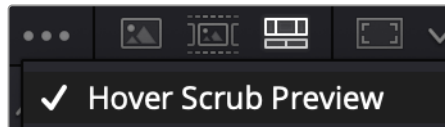
Kullanabileceğiniz farklı yazı tiplerini görmek için; kullanıcı arayüzünün sol üst köşesindeki ‘titles’ (yazılar) medya sekmesi üzerine tıklayın. Ekran altı yazılarından, akan yazılara veya standart bir yazı başlığına varan, kullanabileceğiniz tüm farklı yazı üreteçleri, seçim penceresinde küçük resimler olarak görüntülenecektir. Kişiselleştirebileceğiniz hareketli yazılar olan Fusion yazılarından herhangi birini bile ekleyebilirsiniz.

Yazıların Önizlenmesi

Zaman çizelgenize bir yazı eklemeyi önce, ‘titles’ seçim penceresinden yazıyı önizleyebilirsiniz. Böylece, bir seçim yapmadan önce varolan tüm seçenekleri hızlı bir şekilde tarayabilirsiniz.

Bir yazıyı önizlemek için:

- 1 Yazılar panelinin sağ üst tarafındaki seçenekler menüsünü tıklayın ve ‘hover scrub preview’ seçeneğini işaretleyin.



Seçenek menüsünden “hover scrub preview” isimindeki, fareyle üzerine gelince önizleme seçeneğini etkinleştirin.

- 2 Görüntüleyicide bir yazıyı önizlemek için; fareinizin imlecini 'Titles' seçim penceresindeki bir küçük resmin üzerine getirin. Animasyonlu veya Fusion başlığını önizliyorsanız, animasyonu görmek için yazının küçük resmi üzerinde imleci soldan sağa doğru hareket ettirin.



Bir yazıyı görüntüleyicide önizlemek için; imleci küçük resminin üzerine getirin

Bir yazıyı seçtikten sonra zaman çizelgenize ekleyebilirsiniz.

Standart bir yazı eklemek için:

- 1 Yazının üzerine tıklayın ve zaman çizelgesinin üzerine sürükleyin. Hangi timeline olduğu önemli değildir, ama daha doğru olması için ayrıntılı timeline'yi kullanmanızı tavsiye ederiz. 'Title' başlık için otomatik olarak yeni bir video kanalı oluşturacak ve oynatma çubuğuna yapışacaktır.
- 2 Fareyi bıraktığınızda başlık yeni kanal üzerinde belirecektir. Artık, başlığı hareket ettirebilir veya başka bir video klibine yaptığınız gibi süresini değiştirebilirsiniz.
- 3 Başlığı düzenlemek için, yeni yazı klibinin üzerine tıklayın ve ardından klip görüntüleyicinin altındaki araçlar ikonuna tıklayın.
Şimdi, yazı klibini değiştirmek için kullanabileceğiniz bir araç sırası göreceksiniz. Mesela; dönüştürme, kırpma, dinamik yaklaştırma ve daha fazlası.
- 4 Şimdi, 'inspector' (denetleyici) sekmesine tıklayın.

Bu, istediğiniz yazıyı girebileceğiniz bir denetleyici penceresi açacaktır. Burada; takip etme, satır aralığı, font tipi, rengi vb gibi birçok yazı ayarını düzenleyebilirsiniz.

Yazıyı tam istediğiniz gibi kişiselleştirmeniz için bir sürü seçeneğiniz var. Yazının görünüşünü ve şeklini nasıl değiştirdiklerini görmemiz için, farklı ayarların hepsini biraz karıştırmanızı tavsiye ederiz.

BİLGİ Aynı zamanda, 'cut' (hızlı kurgu) ve 'edit' (kurgu) sayfalarındayken efektleri, geçişleri, üreteçleri ve filtreleri önizlemek için de imleci üzerlerinde gezdirebilirsiniz.

Blackmagic RAW Dosyalarıyla Çalışma

Blackmagic RAW klipler, post prodüksiyonda size azami esneklik sağlar. Bu, sanki orijinal kamera ayarlarını değiştiriyormuşsunuz gibi, kliplerinize beyaz ayar ve ISO ayarı gibi ayarlamaları yapmanızı sağlar. Blackmagic RAW ile çalışma, gölgelerde ve parlak bölgelerde daha fazla renk tonu bilgisini koruduğundan, detayların telafisi için de faydalıdır. Örneğin; patlamış gökyüzünde ve görüntünüzdeki karanlık bölgelerde.

Mümkün olan en yüksek kalitenin veya parlaklıklar ve gölgeler arasında aşırı farklılık olan çekimlerin peşindeyseniz çekimlerinizi Blackmagic RAW olarak yapmanızda fayda var ve derecelendirme esnasında, bu bölgeleri mümkün olduğunca artırıp azaltmanız gerekebilir.

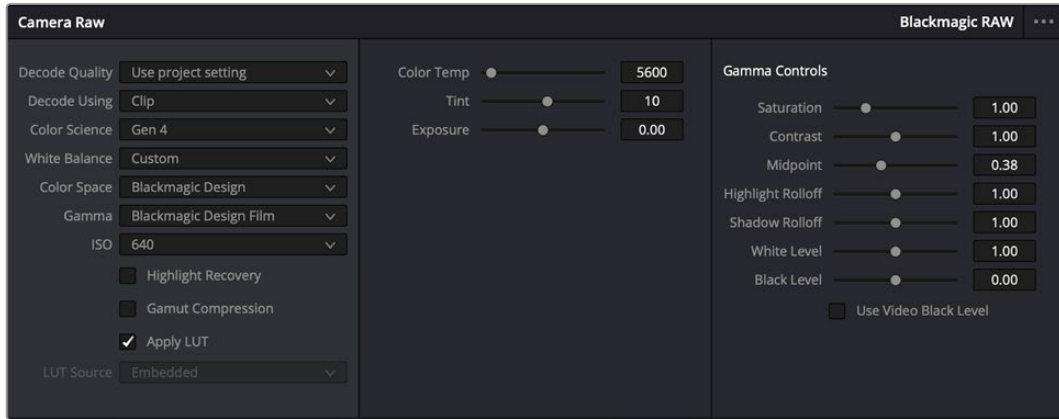
Blackmagic RAW formatının küçük dosya ebatı ve hızı, proxy dosyaları oluşturmanızı gerektirmez ve oynatım, tıpkı standart bir video klip gibidir. Kullanım kılavuzunun bu bölümü, Blackmagic RAW özellikleri ve DaVinci Resolve iş akışınızda Blackmagic RAW dosyalarını nasıl kullanabileceğiniz hakkındaki detayları açıklar.

BİLGİ Renk derecelendirmesine başlamadan önce, klipleriniz için Blackmagic RAW ayarlarını renk sayfasında düzeltmeniz faydalıdır.

Blackmagic RAW için Klip Ayarları

Blackmagic RAW dosyalarını ilk kez program içine aldığınızda, DaVinci Resolve; çekim anında kullanılan beyaz ayar ve ton ayarları gibi dosyalardaki kamera verilerini, ISO'yu kullanarak çözecektir. Bu ayarların görünüşünden memnunsanız hemen kurgulamaya başlayabilirsiniz.

Blackmagic RAW olarak çekim yapmanın en güzel tarafı, bu ayarlara hiç bağlı kalmak zorunda olmamanızdır! Blackmagic RAW dosyaları ile çalıştığınızda, mevcut post prodüksiyon seçeneklerinin genişliği, zaman içinde kendi iş akışınızı geliştireceğiniz anlamına gelir. Her bir klipin 'clip' ayarları ile 'camera raw' sekmesinde denemeler yapmak, Blackmagic RAW dosyaları ile çalışmanın ne kadar etkili ve esnek olabileceğini size gösterecektir.



Klibinizin Blackmagic RAW ayarlarını düzenlemek için, 'camera raw' sekmesindeki 'decode using' (... ile kodu aç) menüsünden, 'clip' ibaresini seçin.

Blackmagic RAW Ayarlarının Değiştirilmesi

Blackmagic RAW için klip ayarlarını etkinleştirmek üzere DaVinci Resolve'yi bir kez ayarladığınızda, klip ayarları ve gamma kontrolleri artık düzeltilebilir hale gelir. Kliplerinizi en iyi düzeye getirmek için bu ayarların düzeltilmesi, kliplerinizi tam bir ana derecelendirmeye yakınlaştırabilir. Bu; kliplerinizi bir görünüm uygulamaya hazırlamak için nötrleştirmenize ve dengelemenize yardımcı olan, DaVinci Resolve'nin skoplarını kullanırken özellikle etkilidir.

Aşağıdaki bilgiler, klip ve gamma kontrolleri için tanımlar içerir.

ISO

Bu ayar artırılarak veya azaltılarak, ISO değeri değiştirilebilir. Optimizasyon için klibinizi daha parlak veya daha karanlık bir başlama noktasına getirmeniz gerektiğinde, bu ayar faydalıdır.

Highlight Recovery (Parlak Bölgeleri Kurtarma)

Kırılmayan kanallardaki bilgileri kullanarak, kırılan kliplerdeki parlaklık bilgilerini yeniden oluşturmak için, bu kutuyu işaretleyin.

Gamut Compression (Renk Gamını Sıkıştırma)

Gamut seviyelerini otomatik olarak belli bir seviyede tutmak için kutuyu tıklayın.

Color Temp (Renk Isısı)

Görüntüyü sıcaklaştırmak veya soğutmak için renk ısısını ayarlayın. Bu; her bir görüntüdeki rengi nötrleştirmeye yardımcı olması için kullanılabilir.

Tint (Renk Tonu)

Bu ayarın düzeltilmesi, rengin dengelenmesine yardımcı olmak için, görüntüye yeşil veya macenta ekleyecektir.

Exposure (Pozlama)

Bu ayarı, görüntünün parlaklığını genel olarak düzeltmek için kullanın.

Saturation (Renk Doymunluğu)

Doymunluk kontrolleri; en düşük doymunluk için 0, azami doymunluk için 4'e yayılır ve varsayılan ayarı 1'dir.

Kontrast

Varsayılan ayarı 1.0'dır. En düşük kontrast miktarı 0 için, sürgüyü sola veya kontrastı 2'ye kadar artırmak için, sürgüyü sağa sürükleyin.

Midpoint (Orta Nokta)

Blackmagic Design Film'de, orta grinin varsayılan değeri 0.38 ya da %38,4'tür. Orta noktanızı düşürmek için sürgüyü sola sürükleyin ya da 100'e kadar artırmak için sağa sürükleyin. Kontrast, varsayılan ayarından uzaklaştırıldığında, parlak bölge ve gölge eğilimini değiştirebilirsiniz.

Highlight Rolloff (Parlak Bölüm Eğimi)

Parlaklık değerini 0'a düşürmek için sürgüyü sola sürükleyerek veya 2'ye artırmak için sağa sürükleyerek parlak bölgelerin ayarını yapın. Varsayılan değer 1'dir.

Shadow Rolloff (Gölgelerin Eğimi)

Gölgelerinizi 0'a düşürmek için, sürgüyü sola sürükleyin ya da 2'ye artırmak için sağa sürükleyin.

White Level (Beyaz Seviyesi)

Sürgüyü en yüksek değer olan 2'den, en az değer olan 0'a sürükleyerek, gamma eğrisinin beyaz noktasını ayarlayın. Varsayılan değer 1'dir.

Black Level (Siyah Seviyesi)

Sürgüyü en düşük değer olan -1'den, azami değer olan 1'e sürükleyerek, özel gamma eğrisinin siyah noktasını artırın. Varsayılan değer 0'dır.

Use Video Black Level (Video Siyah Seviyesini Kullan)

Siyah seviyelerinizi videoya ayarlamak için bu kutuyu işaretleyin.

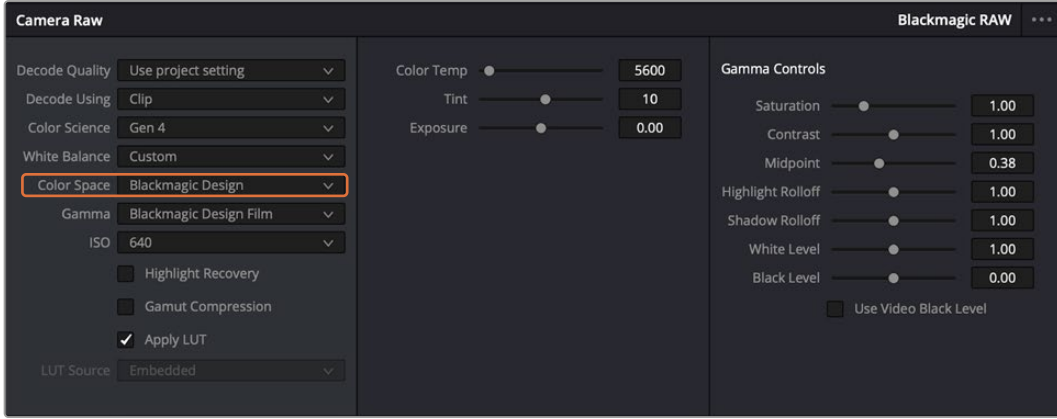
Export Frame (Kareyi Dışa Aktar)

'Export frame' (kareyi dışa aktar) butonunun tıklanması, RAW klibinizden tek bir kareyi dışa aktarmanızı sağlar.

Update Sidecar (Sidecar Dosyasını Güncelle)

Geçerli klip için Blackmagic RAW sidecar dosyasını güncellemek üzere, bu butonu tıklayın.

Blackmagic RAW kliplerinize yaptığınız herhangi bir değişiklik, gamma ayarının Blackmagic Design Custom olarak değişmesinden tespit edilebilir.



Klibinizi, mevcut varsayılan gamma seçeneklerinden birisine geri çevirmek için, aşağı açılır gamma menüsünden seçiminizi yapmanız yeterlidir

BİLGİ 'Video' dinamik aralığı ile çekilen görüntüler için gamma kontrolleri etkisiz hale getirilmiştir fakat, Blackmagic RAW veriyi kaybetmiş olmazsınız. Aşağı açılır gamma menüsünden, Blackmagic Design Film veya Blackmagic Design Extended Video seçeneğini seçin ve düzeltmelerinizi yapın.

Blackmagic RAW değişikliklerinizi kaydetmek için:

- 1 Blackmagic RAW klibiniz için gama kontrollerini ayarlayın.
- 2 "Update sidecar" isimli sidecar dosyasını güncelleme butonunu tıklayın.

Şimdi, .braw dosyanızla aynı klasörde bir sidecar dosyası oluşturulur. Blackmagic RAW dosyalarını başka bir kullanıcı içe aktardığında, sidecar dosyaları, DaVinci Resolve tarafından otomatik olarak okunacaktır. İlave değişiklikler yaparsanız "update sidecar" butonuna tekrar basın.

BİLGİ Sidecar dosyanızı kaldırmak için, ortam diskinizdeki konumundan silmeniz yeterlidir.

Blackmagic RAW için Proje Ayarları

Bütün kliplerde bulunan bir ayara değişiklik yapmak istediğinizde, kliplerinizi proje "camera raw" ayarlarını kullanmaları için düzenleyebilir ve genel değişiklikleri oradan yapabilirsiniz. Örneğin; beyaz ayarına veya ISO ayarına genel bir değişiklik yapılması.

Blackmagic RAW için proje ayarlarını düzenlemek için:

- 1 "File" etiketli dosya menüsünü tıklayın ve "project settings" isimdeki proje ayarları sekmesini seçerek proje ayarları menüsüne girin.
- 2 "Camera RAW" sekmesinde, RAW profilinin yanında bir menü göreceksiniz. Listeden Blackmagic RAW seçeneğini seçmek için, ok işaretini tıklayın.
- 3 "Decode Using" menüsünden, "project" seçeneğini tıklayın.
- 4 Menüden bir "color science" isimli renk bilimi seçeneği seçin.
- 5 Beyaz ayarını, "custom" yani özel olarak seçin.
- 6 Gamma menüsünden "Blackmagic Design Custom" ibaresini seçin. Renk alanını "Blackmagic Design" olarak ayarlayın.

- 7 “Decode Quality” isimli kod çözme kalitesi menüsünden, “resolution” yani çözünürlük tercihinizi seçin. Sınırlı sistemlerde, daha düşük bir çözünürlük size daha iyi geri oynatım sağlar. En yüksek kalitede çıktı almak için, teslimattan önce tam çözünürlüğe değiştirme esnekliğine de sahipsiniz.

Şimdi klipleriniz için; doyumluk (saturation), kontrast ve orta nokta gibi kamera ayarlarını düzenleyebilirsiniz. Bu işlem, projenizdeki ‘project’ seçeneğini kullanarak kod çözmeye ayarlanmış tüm klipleri etkileyecektir.

Renk (Color) Sayfası ile Kliplerinizin Renginin Düzeltilmesi

Klipleriniz timeline’de olduğuna ve yazılar eklendiğine göre, ‘renk’ sayfasını kullanarak renk düzeltme işlemlerine başlayabilirsiniz. Renk sayfası inanılmaz derecede etkilidir ve filminizin genel görünümünü belirleyecektir, ancak bu örnek için iyi olacak bir başlangıç, tutarlı olmaları için kliplerinizi nötrleştirmektir. Kurgunuza değişiklikler yapmak istiyorsanız istediğiniz zaman ‘hızlı kurgu’ veya ‘kurgu’ sayfasına da geri dönebilirsiniz.

Renk sayfası, kurgunuzun görünümünü düzeltmenize imkan tanır ve birçok yönden renk düzeltme işlemi kendi başına bir sanat dalıdır. Renk düzeltme yaptığınızda, aslında işinize duygu katmış oluyorsunuz. Bu, iş akışının oldukça yaratıcı bir bölümüdür ve bu becerileri öğrenmek çok tatmin edicidir ve işinizin hayata geçtiğini görebilirsiniz! Bu, genellikle ilk adımdır ve ‘ana renk düzeltme’ (primary color correction) veya birincil düzeltme olarak da bilinir. Ana renk düzeltme tamamlandıktan sonra, ikincil renk düzeltme ayarlamalarını yapabilirsiniz. Görüntünüzdeki belli nesnelere son derece hassas renk düzeltmelerini yapabileceğiniz yer burasıdır. Bu çok zevklidir, ama normalde ana renk düzeltme işleminden sonra yapılır, çünkü işlemin daha etkili olmasına yardım eder ve daha iyi sonuçlar alırsınız!

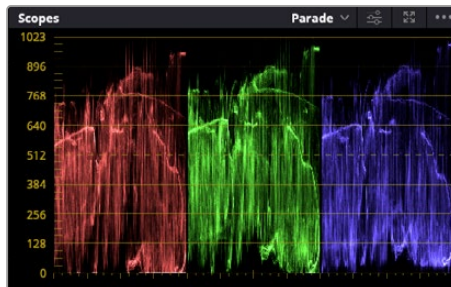
Öncelikle, ‘renk’ sayfasını açmak için, ‘color’ sekmesini tıklayın.

Burada; kamera raw (ham) ayarlarını, renk tekerlerini, eğri paletlerini ve genel renk düzeltme araçlarının yanı sıra, önizleme ve düğüm penceresini de göreceksiniz. Önünüzde sergilenen çok çeşitli özelliklerin sizi ürkütmesine izin vermeyin. Bunların hepsi, en harika görünümünü elde etmenize yardımcı olmak üzere geliştirilmiştir. Bu ‘başlarken’ bölümü, ana hatları gösterir ancak daha detaylı bilgiler için kullanma kılavuzundaki ilgili bölümlere bakın. Kullanım kılavuzundaki bu bölümler, tüm bu araçların tam olarak ne için olduğunu ve nasıl kullanılacağını, kolayca takip edilebilen adımlarla açıklar. Üst düzey renk düzeltme tesislerinde, profesyonellerin kullandığı tekniklerin aynısını öğreneceksiniz.

Genelde, ana renk düzeltmesi için ilk adım; kliplerinizdeki gölgeler, orta tonlar ve parlak bölgeler için seviyeleri optimize etmek olacaktır. Başka bir tabirle; ‘lift’, ‘gamma’ ve ‘gain’ ayarlarını düzenleyin. Bu; temiz, dengeli bir başlangıç noktasıyla, görüntülerinizin mümkün olduğunca parlak ve iyi görünmelerini sağlayarak, filminiz için istediğiniz görünümü elde etmek üzere, renk derecelendirmesine başlamanıza yardımcı olur. Seviyeleri optimize etmek için skopların kullanılması faydalıdır.

Skopların Kullanımı

Renk uzmanlarının çoğu, programlarının sahip olmasını istedikleri duygu ve görünüme odaklanarak yaratıcı renk seçimleri yaparlar ve sonra ekranı kullanarak, bu görünümü elde etmek amacıyla çalışırlar. Görüntülerinizle neler yapabileceğiniz konusunda fikirler üretebilmek ve biraz pratik yapmak için, günlük nesnelere bakabilirsiniz ve farklı ışıkların, bu nesnelere nasıl etkileşim içinde olduğunu inceleyebilirsiniz.



Parade skopu; parlaklıkları, orta tonları ve gölgeleri optimize etmenizi mümkün kılar

Renk derecelendirmenin diğere bir yolu, görüntülerinizi dengelemeye yardımcı olması için, dahili skopların kullanımınıdır. Palet araç çubuğunda sağdan ikinci olan 'scope' butonunu tıklayarak, tek bir video skopunu açabilirsiniz. Dalga şekli, parade, vektörskop, histogram ya da CIE renklilik skoplarını görüntülemeyi seçebilirsiniz. Bu skopları kullanarak; tonal dengeyi izleyebilir, siyahlarınızın fazla kararmasını ve parlaklıkların fazla kırılmaya maruz kalmasını engellemek amacıyla, videonuzun seviyelerini gözden geçirebilir ve ayrıca, kliplerinizdeki herhangi bir renk üstünlüğünü denetleyebilirsiniz.

'Color wheels' (renk tekerleri) paleti, genelde yapacağınız ilk ayarlama kullanacağınız 'lift', 'gamma' ve 'gain' kontrollerini içerir. Daha önce renk düzeltme üzerinde deneyiminiz olduysa bunlar, başka uygulamalarda renk ve kontrast ayarlamaları yapmak için gördüğünüz kontrolleri anımsatır.



'Lift', 'gamma', 'gain' ve 'offset' renk tekerleri, kliplerinizin renk ve tonlama dengesi üzerinde tam kontrol sağlar. Her bir tonlama bölgesi için renklerin tümüne aynı ayarlamayı yapmak üzere, renk tekerlerinin altında bulunan kadrani, ileri ve geri sürükleyin.



Fare kullanırken 'primaries bars' (ana renk çubukları), renk ayarlamalarını kolaylaştırır

Her bir rengin daha doğru kontrolünü sağlamak üzere, renk tekerlerini, bir fare kullanarak 'primaries bars' (ana renk çubukları) ayarına değiştirebilirsiniz. Böylelikle; lift, gamma ve gain kontrolleri için her bir renk ve parlaklık kanalını, ayrı ayrı ayarlamanız mümkün olur. Renk tekerlerinin sağ üst tarafındaki aşağı-açılır menüden, 'primaries bars' özelliğini seçin.

'Lift' ayarının düzeltilmesi

Renk için olan timeline'de klibiniz seçili olarak, ilk renk tekerinin altındaki 'lift' kadrani tıklayın. Görüntünüzü nasıl etkilediğini gözlemlemek için, kadrani ileri ve geri kaydırın. Görüntünüzün karanlık bölgelerindeki parlaklıkların, arttığını ve azaldığını göreceksiniz.

En iyi görünmesini istediğiniz karanlık bölgelere göre ayarını yapın. Lift' ayarını çok fazla düşürdüğünüzde, gölgelerinizdeki ayrıntıları kaybedersiniz ve bunu önlemek için, parade skopu kullanabilirsiniz. Siyahlar için dalga şeklinde en uygun konum, parade skopunun alt çizgisinin hemen üstüdür.

'Gain' (kazanç) ayarının düzeltilmesi

'Gain' kadrani üzerine tıklayın ve ileri geri kaydırın. Bu işlem, klibinizin en parlak bölgelerini (highlights) ayarlar. Bu vurgular, parade skopundaki dalga şeklinin üst kısmında görüntülenir. Parlak bir şekilde aydınlatılmış çekimlerde, bunlar için en iyi konum, dalga şekli skopunun üst

çizgisinin hemen altıdır. Parlaklıklar, dalga şekli skopunun en üst çizgisinin üstüne çıktığı takdirde kırılacağından, görüntünüzün en parlak bölgelerinde ayrıntı kaybına sebep olacaktır.

'Gamma' ayarının düzeltilmesi

Renk tekerleğinin altındaki 'gamma' tuşunu tıklayıp ileri ve geri kaydırın. Gamma'yı artırdıkça görüntünün parlaklığının da arttığını fark edeceksiniz. Gamma'yı değiştirdikçe, dalga şeklinin orta kısmının da hareket ettiğini fark edeceksiniz. Bu, klibinizin orta tonlarını temsil eder. Orta tonlar için en uygun pozisyon, genelde dalga şekli skopunda %50 ile %70 arasındadır. Ancak bu, oluşturduğunuz görünüme ve klipteki aydınlatma koşullarına bağlı olarak subjektif olabilir.

Ana renk düzeltmeleri yapmak için, ayrıca eğri paletini de kullanabilirsiniz. Eğri grafiğindeki çapraz çizgi üzerinde kontrol noktaları oluşturmak için tıklayın ve görüntü tonlamasının farklı alanlarındaki master RGB kontrastı ayarlamak için, bu noktaları yukarı veya aşağı sürükleyin. Ayarlamak için en uygun noktalar; eğri çizgisinin altındaki üçte bir (bottom third), ortadaki üçte bir (mid) ve üstündeki üçte bir (top third) noktalarıdır.

DaVinci Resolve'de ana renk düzeltmeleri yapmanın birçok yolu vardır.



Eğri paleti, ana renk düzeltmeleri yapmak ya da görünmez pencereleri (power windows) kullanırken klibinizin belli alanlarını iyileştirmek için kullanabileceğiniz bir başka araçtır

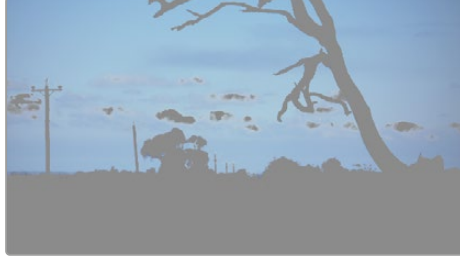
İkincil Renk Düzeltme

Görüntünüzün belli bir bölümünü ayarlamak istediğinizde, ikincil düzeltmeleri kullanmanız gerekecektir. Lift, gamma ve gain ayarlarını kullanarak şimdiye kadar yaptığınız ayarlamalar, görüntünün tamamını aynı anda etkilediğinden, ana renk düzeltmeleri olarak bilinirler.

Ancak, görüntünüzün belli bir bölümünü düzeltmeniz gerekiyorsa, örneğin; bir sahnedeki çimin rengini iyileştirmek ya da gökyüzündeki maviyi koyulaştırmak istediğinizde, ikincil renk düzeltmeleri kullanabilirsiniz. İkincil renk düzeltmeleri, bir görüntünün belli bir bölümü seçilerek, yalnızca o bölüme yapılan düzeltmelerdir. Düğümler ile, birden fazla ikincil düzeltmeyi kümeleyebilir ve her şeyin istediğiniz gibi olmasını sağlayana kadar görüntünün belli bölümleri üzerinde çalışmaya devam edebilirsiniz. Hatta, pencereler ve izleme özelliğini kullanarak seçili öğelerin, görüntünüzdeki hareketleri takip etmesini sağlayabilirsiniz.

Bir Rengin Nitelenmesi (Qualifying a Color)

Sık sık klibinizdeki belli bir rengin iyileştirilebileceğini fark edersiniz. Örneğin; bir yol kenarındaki çim ya da bir gök yüzündeki mavi gibi veya izleyicinin ilgisini bir nesne üzerinde odaklandırmak için, o nesnenin rengini düzenlemek durumunda kalabilirsiniz. Bunu, HSL (Hue, Saturation and Luminance) qualifier (niteleyici) aracını kullanarak kolaylıkla yapabilirsiniz.



Görüntünüzdeki renkleri seçerken HSL niteleyici aracını kullanmak, görüntünün belli alanlarına 'pop' (öne çıkarma) etkisi yapmak, kontrast ilave etmek veya görüntünüzün belli bölgelerine izleyicinin ilgisini çekmek istediğinizde faydalıdır.

Bir rengi nitelemek için:

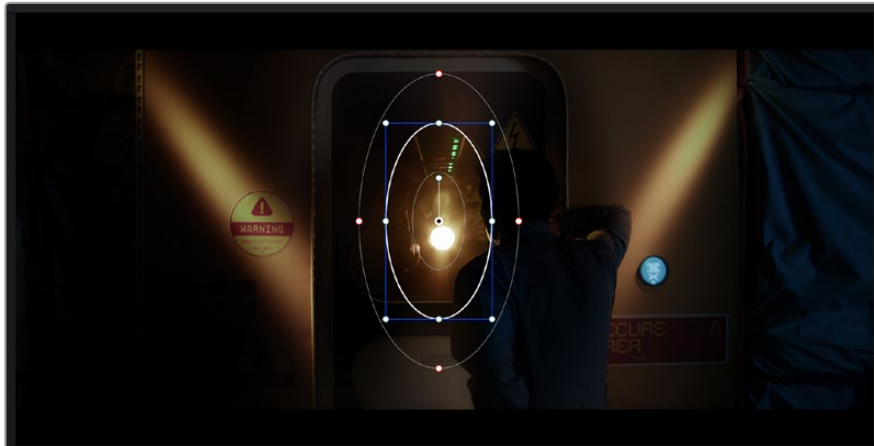
- 1 Yeni bir seri düğüm ilave edin.
- 2 'Qualifier' (niteleyici) paletini açın ve 'selection range' (seçim aralığı) seçici aracının seçildiğinden emin olun.
- 3 Klabinizde etkilemek istediğiniz rengin üzerine tıklayın.
- 4 Çoğu zaman, seçiminizin kenarlarını yumuşatmak ve bölgeyi yalnızca arzuladığınız renk ile sınırlandırmak için, bazı ayarlamalar yapmanız gerekecektir. Seçiminizi görmek için, görüntüleyici üzerindeki 'highlight' butonunu tıklayın.
- 5 Seçiminizi genişletmek veya daraltmak için 'hue' (renk tonu) penceresindeki 'width' (genişlik) kontrolünü ayarlayın.

Seçiminizi nasıl düzeltebileceğinizi görmek için; yüksek, alçak ve yumuşaklık kontrolleriyle denemeler yapın. Artık renk tekerlerini veya kişiselleştirilmiş eğrileri kullanarak seçili rengineze düzeltmeler yapabilirsiniz.

Bazen seçiminiz, görüntüde etkilenmesini istemediğiniz alanlara taşabilir. Bir power window kullanarak istenilmeyen bölgeleri kolayca maskeleyebilirsiniz. Yeni bir pencere oluşturun ve sadece istediğiniz renk bölgesini ayırması için şekillendirin. Seçilmiş renginiz, görüntü içinde hareket ederse power window'u takip etmesi için, 'tracking' (takip) özelliğini kullanabilirsiniz.

Bir Power Window İlave Edilmesi

Power window, kliplerinizin belli bölgelerini izole etmek için kullanılacak çok etkili bir ikincil renk düzeltme aracıdır. Bu bölgelerin statik olması şart değildir, fakat bir kameranın yatay çevirme (pan), eğme (tilt) veya döndürme özellikleriyle ve bölgenin kendi hareketiyle eşleşmesi için, bu bölgeler takip edilebilir.



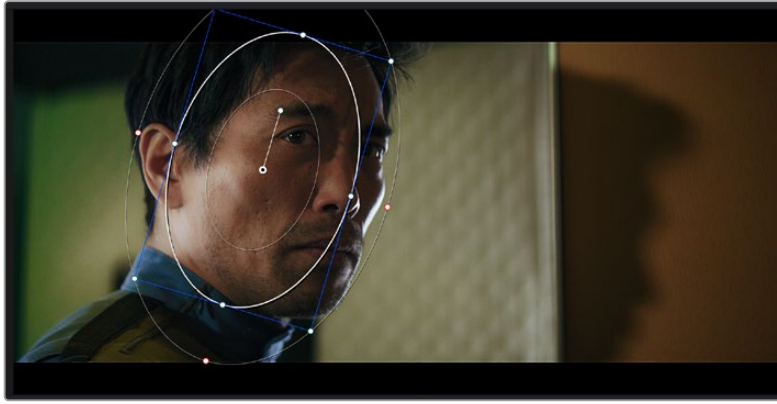
HSL qualifier ile yapılacak ikincil düzeltmelerin etkilenmesini istemediğiniz alanları maskelemek için power windows özelliğini kullanın

Örneğin, çevresini etkilemeden bir kişinin sadece kendisi üzerinde renk ve kontrast değişiklikleri yapmak üzere, kişinin üzerindeki bir pencereyi takip edebilirsiniz. Bunun gibi düzeltmeler yaparak, izleyicinin ilgisini istediğiniz bölgelere yönlendirebilirsiniz.

Klibinize bir görünmez pencere ilave etmek için:

- 1 Yeni bir seri düğüm ilave edin.
- 2 'Window' (pencere) paletini açın ve bir şekil ikonu üzerine tıklayarak dilediğiniz pencere şeklini seçin. Seçili olan pencere şekli, düğüm üzerinde belirecektir.
- 3 Şeklin çevresindeki mavi noktaları tıklayarak ve sürükleyerek, şekli yeniden boyutlandırın. Kırmızı noktalar, kenar yumuşaklığını ayarlar. Şekli konumlandırmak için, şeklin merkez noktasını tıklayın ve izole etmek istediğiniz alana taşıyın. Merkeze bağlı olan noktayı kullanarak şekli döndürün.

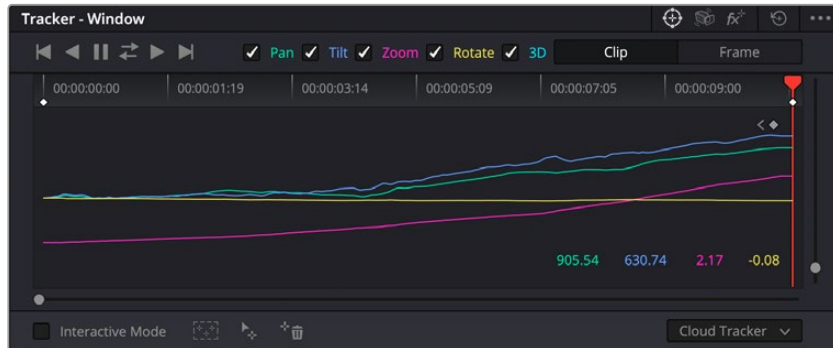
Şimdi, sadece görüntünüzdeki istediğiniz alana renk düzeltme işlemleri yapabilirsiniz.



Görünmez pencereler (power windows), görüntünüzün belirli bölümlerine ikincil düzeltmeler yapmanızı sağlar

Bir Pencerenin Takip Edilmesi

Görüntünüzdeki kamera, nesne veya alan hareket ediyor olabilir. Bu yüzden, pencerenizin seçtiğiniz nesne ya da alan üzerinde kalmasını sağlamak için, DaVinci Resolve'nin güçlü takip özelliğini kullanabilirsiniz. Takip aracı, klibinizdeki nesnenin veya kameranın pan, tilt, zoom ve rotasyon özelliklerini analiz eder, böylece pencerelerinizi bu hareketlerle eşleştirebilirsiniz. Eğer bu yapılmazsa yaptığınız düzeltme işlemi, seçili olan hedefinizin üzerinden kayabilir ve dikkatleri üzerine çekebilir. Bu da muhtemelen arzulamayacağınız bir şeydir.



Görünmez pencerelerinin hareketi takip edebilmeleri için, takip özelliğini kullanarak klibinizdeki nesnelere veya alanları takip edebilirsiniz

Hareket eden bir nesne üzerinde pencere takibi için:

- 1 Yeni bir seri düğüm oluştur ve bir power window ilave et.

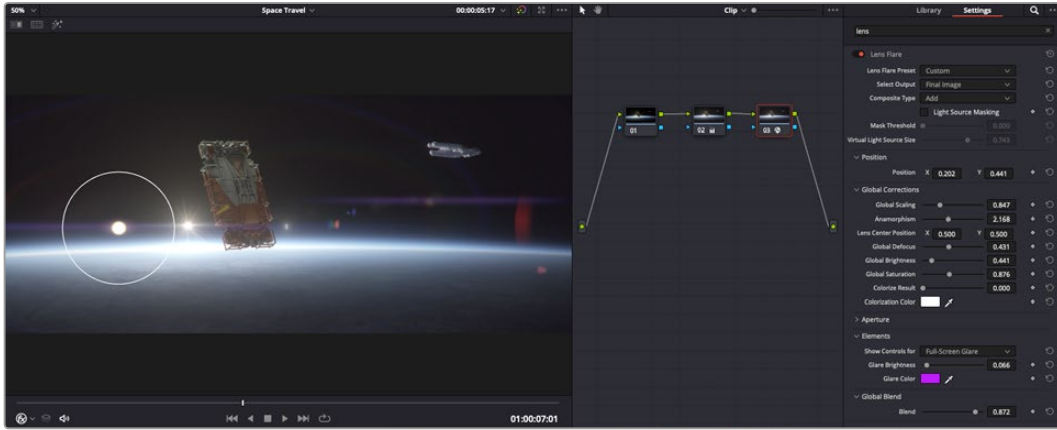
- 2 Klbinizin başına gidin ve yalnızca istediğiniz nesne veya alanı vurgulaması için, pencereyi konumlandırıp boyutlandırın.
- 3 'Tracker' paletini açın. İlgili 'analyze' (analiz et) onay kutularını onaylayarak veya onayı kaldırarak, klbinizdeki harekete uygun olan; yatay çevirme, eğme, döndürme ve 3D perspektif ayarlarını seçin.
- 4 Onay kutularının solundaki 'forward' (ileri) okuna tıklayın. DaVinci Resolve, şimdi klbinize bir takip noktası kümesi uygulayacaktır ve sonra hareketi analiz etmek için kareler arasında ilerleyecektir. Takip işlemi tamamlandığında, power window klbinizdeki hareketin yolunu takip edecektir.

Otomatik takip özelliği çoğu zaman başarılıdır, ancak sahneler karmaşık olabilir ve bir nesne zaman zaman seçili alanınızın önünden geçebileceğinden, takip işlevini engelleyebilir ya da etkileyebilir. Keyframe düzenleme aracı kullanılarak bu sorun, manuel olarak çözümlenebilir. Daha fazla bilgi için, DaVinci Resolve kullanım kılavuzuna bakın.

Eklentilerin Kullanımı

İkincil renk düzeltme işlemleri yaparken, "color" yani renk sayfasını kullanarak hızlı ve ilginç görünüm ve efektler oluşturmak için ya da "cut" ismindeki hızlı kurgu ve "edit" isimli kurgu sayfasında yaratıcı geçişler ve efektler oluşturmak için ResolveFX veya OpenFX eklentilerini ekleyebilirsiniz. Resolve FX efektleri, DaVinci Resolve ile beraber yüklenir, OFX eklentiler de üçüncü parti üreticilerden satın alınabilir ve indirilebilir.

Bir OFX eklenti takımını yükledikten sonra, "node editor" isimli düğüm düzenleyicinin sağındaki Open FX denetleyicisi açarak, renk sayfasından bu eklentilere veya Resolve FX eklentilerine erişebilirsiniz. Yeni bir seri düğüm oluşturduktan sonra, FX belgeliğini açmak için "Open FX" butonunu tıklayın ve bir eklenti sürükleyerek yeni düğümün içine bırakın. Eklentinin değiştirilebilir ayarları varsa bunları bitişikteki "settings" panelinde ayarlayabilirsiniz.



OFX eklentiler, yaratıcı ve ilginç bir görünüm oluşturmanın hızlı ve kolay bir yoludur.

"Edit" sayfasında, "effects" belgeliğindeki "Open FX" panelini açarak ve seçtiğiniz eklenti gereksinimlerine göre zaman çizelgesindeki video klbinizin üzerine veya klbinizin üst tarafındaki kanal üzerine sürükleyerek eklenti filtrelerini, üreteçleri ve geçişleri kliplerinize ekleyebilirsiniz.

Edit Sayfasında Ses Miksajı

Projenizin kurgusunu ve renk düzeltmesini yaptıktan sonra, ses miksajına başlayabilirsiniz. Proje sesinin kurgulanması, miksajı ve master işlemi için, DaVinci Resolve'nin 'edit' sayfasında bir takım faydalı özellikler vardır. Daha gelişmiş ses araçları gerektiren projeler için, Fairlight sayfası

size ses için tam post prodüksiyon ortamı sağlar. Kurgu sayfasını zaten biliyorsanız ve doğrudan Fairlight sayfasına geçmek istiyorsanız bu bölümü atlayın ve bir sonraki bölüme geçin.

Ses Kanallarının Eklenmesi

Kurgu sayfasında çalışırken, basit bir ses kurgusunu, çok sayıda ses efekti ve müzik ile birleştirmek istediğinizde, ihtiyacınıza göre daha fazla ses kanalını kolaylıkla ilave edebilirsiniz. Bu özellik, ses kurgusu üzerinde çalışırken ve ses öğelerini; diyalog, ses efektleri ve müzik gibi, tek tek kanallara ayırmak istediğinizde faydalı olabilir.

Kurgu sayfasına bir ses kanalı ilave etmek için

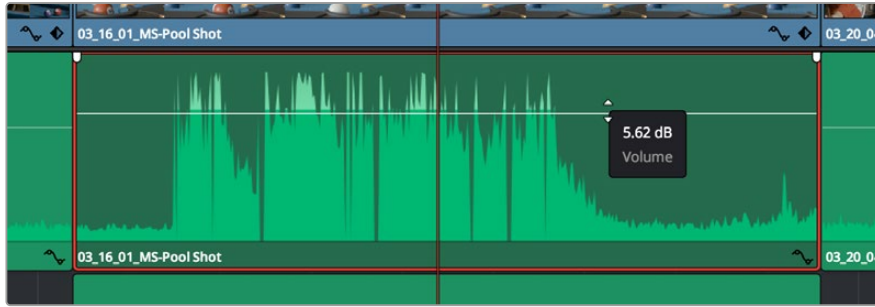
Timeline'deki herhangi bir ses kanalı adının yanına sağ tıklayın ve 'add track' ibaresini seçin ve sonra; 'mono', 'stereo' ve '5.1' seçeneklerinden seçiminizi yapın. Bu işlem, kanal listesinin en altına kanalı ekleyecektir. Aynı işlemi, kanal ekle (add track) ibaresini ve yeni kanalın veya kanalların yerleşmesini istediğiniz konumu seçerek de yapabilirsiniz.

Yeni ses kanalınız, timeline üzerinde belirecektir.

BİLGİ Oluşturduktan sonra kanal türünü değiştirmek isterseniz kanal isminin yanına sağ tıklayın ve 'change track type to' (kanal tipini değiştir) ibaresini seçin ve stereo, mono veya 5.1 gibi, istediğiniz ses kanalı türünü seçin.

Timeline'de Ses Seviyelerinin Ayarlanması

Timeline'deki her ses klibinin, fare ile yukarı veya aşağı çekerek seviyesini ayarlayabileceğiniz bir volüm katmanı vardır. Bu katman, denetleyicinizdeki volüm parametresine denk düşer.

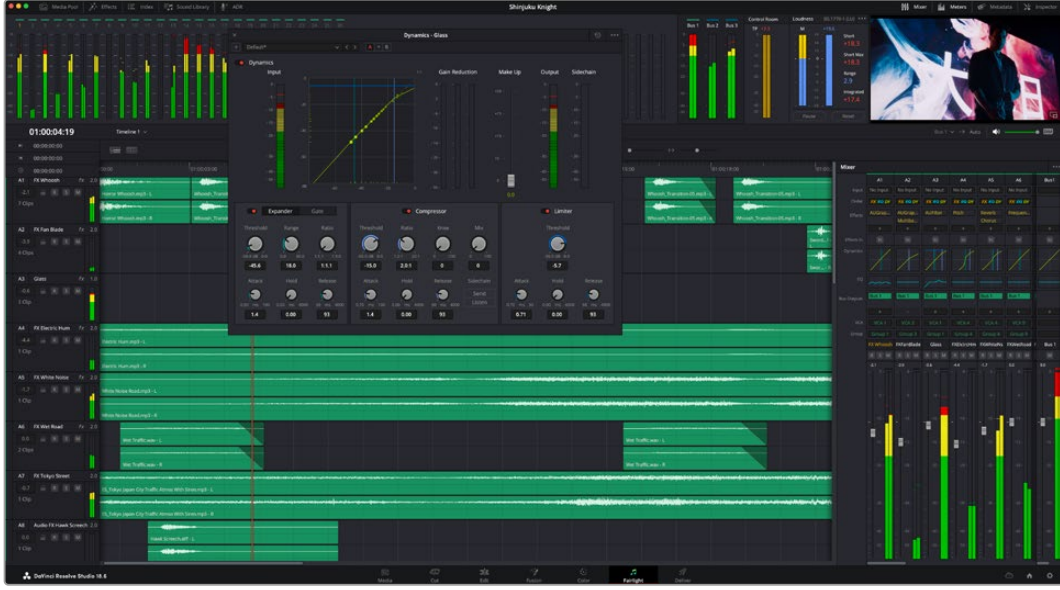


Klip seviyesini ayarlamak için, bir volüm katmanının sürüklenmesi

Daha gelişmiş ses araçları gerektiren projeler için, Fairlight sayfası size ses için tam post prodüksiyon ortamı sağlar.

Fairlight Sayfası

DaVinci Resolve'deki Fairlight sayfası, projenizin sesini düzenlediğiniz yerdir. Bu sayfa tek ekran modundayken, projenizin ses kanallarının en iyi görüntüsünü sağlar. Pürüzsüz ve uyumlu bir ses miksajı oluşturabilmeniz için; seviyeleri değerlendirmenizi ve ayarlamayı kolaylaştıran, genişletilmiş bir mikser ve özel dinleme kontrolleri sunar. Önünüzde sergilenen çok çeşitli özelliklerin, sizi ürkütmesine izin vermeyin, bunların hepsi, projeniz için en iyi kalitede ses elde etmenize yardımcı olmak üzere geliştirilmiştir.



Bu kılavuz, Fairlight sayfasındaki özelliklere temel bir bakış sağlar, ancak her bir özellik hakkında daha detaylı bilgi edinmek için, DaVinci Resolve kullanım kılavuzuna bakınız. DaVinci Resolve kullanım kılavuzu, her bir aracın amacını ve nasıl kullanılacağını, kolayca takip edilebilen adımlarla açıklar.

Ses Zaman Çizelgesi

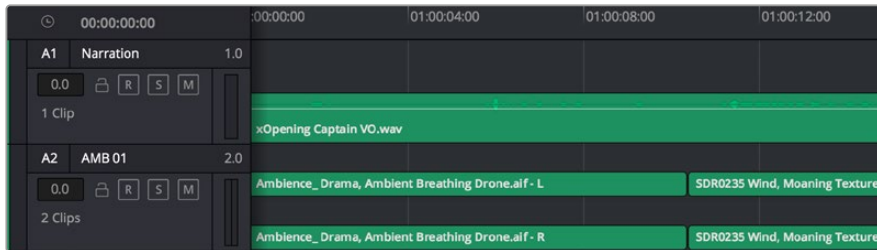
Ses zaman çizelgesi, seçili zaman çizelgesinin ses kanallarını ayrı kanallar şeklinde görüntüler. Bu düzen ses miksajı ve tonlaması için idealdir.

Track Header (Kanal Üstbilgisi)

Her kanalın sol tarafında; kanal numarasını, kanal adını, kanal rengini, ses kanallarını, fader seviyesi ve ses göstergelerini gösteren bir üstbilgi bölümü vardır. Kanal üstbilgisi, kanalı kilitlemek ve açmak için kontrollerin yanı sıra kanalı solo yapan ve susturan kontrollere de sahiptir. Bu kontroller, ses kanallarını düzenlemenize yardımcı olur ve kanalları tek tek çalarak denetlemenize imkan tanır.

Ses Kanalları

Fairlight sayfasındaki her bir kanal, miksaj ve kurgulama için ses klipinin tek kanalını gösteren şeritlere bölünmüştür. Kurgu sayfası, bir sürü kanal ile uğraşmadan çok kanallı kaynakların kurgulamasını kolaylaştırmak için, bu münferit ses kanallarını saklar ve timeline'de sadece tek bir klip olarak gösterir.



Kanal A1'deki üstbilgi, mono ses için tek şeritli bir mono kanalı gösterir ve A2 kanal üstbilgisi, stereo sesi barındırmak için, bir stereo kanalını iki şerit ile gösterir.

Bus Nedir?

Bus esasen, tek bir kanal şeridi üzerinden kontrol edilebilen tek bir sinyalde bir grup olarak birleştirilmiş ses kaynaklarından oluşan bir varış noktası kanalıdır. Fairlight sizin için otomatikman bir bus kanalı oluşturur ve timeline'izdeki ses kanallarının hepsi varsayılan olarak bir bus kanalına gönderilir. Böylece, ayrı kanalların seviyelerini ayarladıktan sonra ses miksağının genel seviyesini de ayarlayabilirsiniz.

Kurgunuz biraz daha komplike ise, daha çok sayıda bus oluşturabilirsiniz ve diyalog, müzik ve ses efektleri gibi aynı kategoride olan çok sayıdaki ses kanalını birleştirerek, o kategorideki her şeyin tek bir ses sinyali olarak miksağınmasını sağlayabilirsiniz. Örneğin, beş adet diyalog kanalınız varsa, beş kanalın hepsinin çıkışını ayrı bir bus kanalına yönlendirebilirsiniz. Böylece, tüm diyalog kanallarının seviye miksağı tek bir kontrolle yapılabilir.

Fairlight Flexbus yapısı, bus'tan bus'a, kanaldan bus'a ve bus'tan kanala yönlendirme dahil olmak üzere, bus çeşitleri ve sinyal yönlendirme işlemi üzerinde sınırsız esneklik sağlar. Fairlight'teki ses bus ayarları hakkında daha fazla bilgi için DaVinci Resolve kullanım kılavuzuna bakın.

Mikser

Timeline'izdeki her bir ses kanalı mikserdeki bir kanal şeridinde tekabül eder ve varsayılan olarak, mikserin sağında varsayılan bus için 'Bus 1' olarak etiketli tek bir şerit bulunur. Fazladan oluşturduğunuz her bir bus kanalı için kontrol setiyle birlikte, sağ tarafta ek kanal şeritleri belirecektir. Bir grafik kontrol seti; ses kanallarını çıkış kanallarına atamanıza, sesin tonunu ve dinamiğini düzeltmenize, seviyeleri düzeltmenize ve otomasyonları kaydetmenize, stereo ve surround sesi panlamanıza, ses kanalını susturmanıza ve solo olarak dinlemenize imkan tanır.

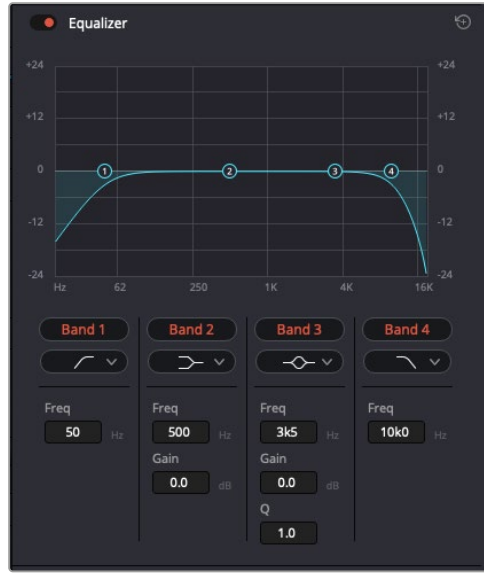


Zaman çizelgesindeki ses kanalları ile eşleşen kanal şeritleri ile ses mikseri

Sesi Geliştirmek için Ekolayzer Kullanımı

Projenizdeki ses kliplerinizin ses seviyelerini ayarladıktan sonra, sesin daha fazla ayarlama gerektirdiğini fark edebilirsiniz. Bazı durumlarda; diyalog, müzik ve ses efektlerinin, ses spektrumundaki aynı frekans için birbirleriyle yarıştıklarını ve sesi çok yoğun ve zor anlaşılır hale getirdiklerini fark edebilirsiniz. Bu durumda bir EQ'nun kullanılması yardımcı olabilir çünkü, her ses kanalının ses spektrumunda yer alacağı bölümü belirlemenize imkan sağlar. Ayrıca; bas gümbürtüler, uğultu, rüzgar sesi ve tıslama gibi istenmeyen öğeleri sestten ayırıştırarak ve bu sesleri bulunduran frekansları düşürerek çıkarmak için veya sadece sesin kalitesini genel olarak yükselterek dinlenmesini daha hoş hale getirmek için ekolayzeri kullanabilirsiniz.

DaVinci Resolve, kanal düzeyinde tüm kanala veya klip düzeyinde her bir ses klibine uygulayabileceğiniz, EQ filtreleriyle donatılmıştır. Timeline'de bulunan her bir ses klibinin, denetleyici panelinde 4 bant ekolayzeri vardır ve her bir kanalın, mikser panelinde 6 bant parametrik ekolayzeri vardır. Farklı frekans aralıklarını artırmak veya azaltmak için kullanılan grafik ve sayısal kontroller ve farklı filtre çeşitleri, EQ eğrisinin şeklini belirlemenize olanak sağlar.



Dört bant ekolayzır, timeline'deki her bir klibe uygulanabilir

Dıştaki bantlar; hi-shelf, lo-shelf, hi-pass ve lo-pass gibi filtreleri kullanarak, bant filtre ayarlamalarını yapmanıza olanak verir. Bir pass (geçiren) filtresi, belirli bir frekansın üzerindeki veya altındaki tüm frekansları, sinyalden tamamen çıkararak etkiler. Örneğin; bir high-pass filtresi, bas frekansları keserken, filtreden sadece tiz frekansların geçmesine izin verir. Kesilme frekansının dışındaki tüm frekanslar, aşağı eğimli bir eğriyle yavaş yavaş kesilir.

Shelf filtresi daha az agresiftir ve o frekansları tamamen çıkarmadan, sinyalin tiz kısmının tümünü veya bas kısmının tümünü, düzeltmek istediğinizde faydalıdır. Shelf filtresi, hedef frekansı ve bu frekansın altındaki veya üstündeki her frekansı, hi-shelf veya lo-shelf kullanmanıza bağlı olarak, eşit miktarda artırır veya keser.

Ortadaki bant kontrolleri, geniş çeşitlilikte ekolayzer ayarlamaları yapmanıza olanak sağlar ve lo-shelf, çan eğrisi, çentik (notch) ve hi-shelf filtreleme seçenekleri arasında değiştirilebilir.

Bell (Çan)

Çan filtreleri, çan eğrisinin belirli bir merkez noktasının etrafındaki frekansları artırır veya keser ve isminden de anlaşılacağı gibi, eğrinin şekli bir çan gibidir.

Notch (Çok Küçük bir Aralıktaki Frekanslar için Filtre)

'Notch' filtreleri, çok küçük bir aralıktaki frekanslara özel olarak müdahale etmenizi sağlar. Örneğin, 50 veya 60Hz'de şebeke uğultusunun çıkarılması.

Lo-Shelf

Low shelf filtreler, bas seslerdeki hedef frekansı ve onun altındaki tüm frekansları artırır veya keser.

Hi-Shelf

High shelf filtreler, tiz seslerdeki hedef frekansı ve onun üstündeki tüm frekansları artırır veya keser.

Tek bir klibe EQ eklemek için:

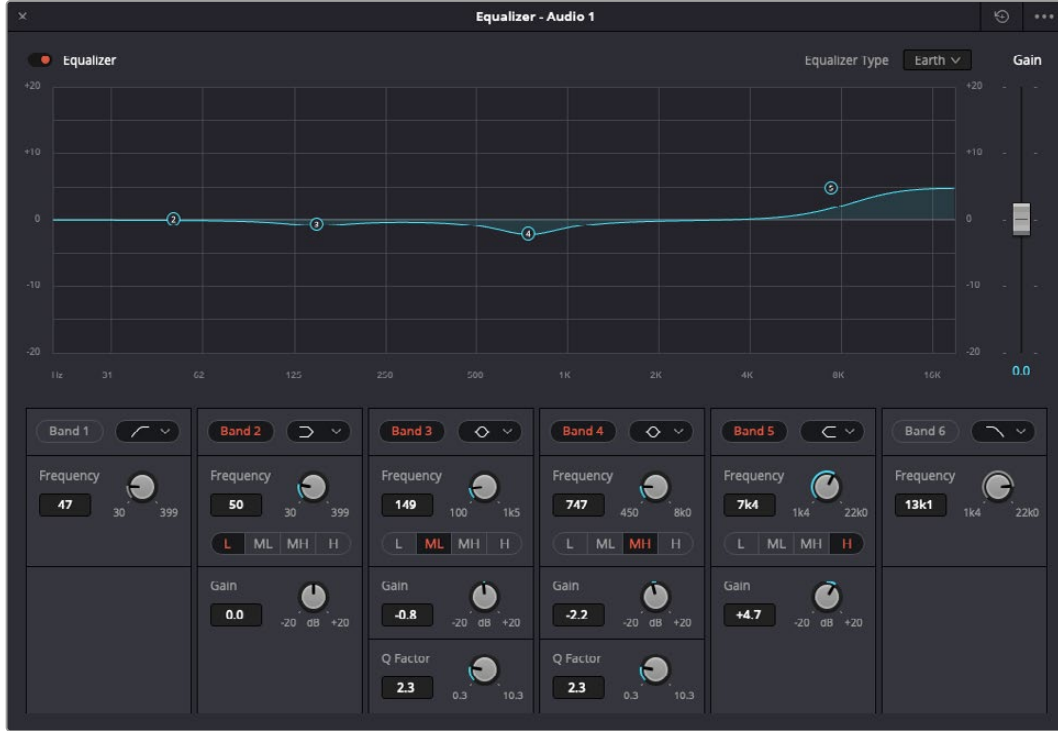
- 1 EQ filtresini üzerine eklemek istediğiniz klipi timeline'de seçin.
- 2 Denetleyiciyi tıklayın ve sonra 'equalizer enable' (ekolayzer etkinleştir) butonunu tıklayın.

Bir ses kanalına EQ ilave etmek için:

- 1 Ses kanallarınızdan birinin ekolayzerini açmak için, o kanalın mikserdeki EQ bölümünü çift tıklayın.
- 2 Aşağı açılır menüden, ayarlamak istediğiniz bant için, filtre türünü seçin.



Mikser panelinde bir EQ eğrisi gösteren EQ bölümü, bir numaralı ses kanalına uygulandı.



Her kanala uygulanabilen 6 bant parametrik ekolayzer

Klibinize veya ses kanalınıza EQ ekledikten sonra, her bir bant için ekolayzeri ayarlayabilirsiniz. Seçilen bant filtre türüne bağlı olarak, kontrollerin değiştirilebilir.

Bir bant filtresi için EQ'yu ayarlamak için:

- 1 Aşağı açılır menüden, ayarlamak istediğiniz bant için filtre türünü seçin.
- 2 EQ ayarının merkez frekansını belirlemek için, frekans değerini ayarlayın.
- 3 O bant tarafından yönetilen frekansları artırmak veya azaltmak için, kazanç değerini ayarlayın.
- 4 Etkilenen frekansların genişliğini ayarlamak için, Q factor (Q faktör) değerini kullanın.

EQ penceresindeki tüm kontrolleri fabrika değerlerine geri döndürmek için, 'reset' butonunu kullanın.

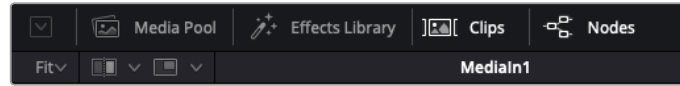
Her bir ses kanalının kalitesini artırmak için, Fairlight'te kullanabileceğiniz birçok kontrol var. Daha fazla kanal ekleyebilir ve bunları düzenlemek için bus kanalları düzenleyebilirsiniz. Ayrıca, 'delay' (geciktirme) veya 'reverb' (yankılanma) gibi efektler ekleyebilir ve ses miksajını genel olarak düzeltebilirsiniz.

Fusion Sayfası ile VFX Ekleme ve Görüntü Birleştirme

Kurguyu bitirdiğinize göre, 2D ve 3D görsel efektler ve hareketli grafikler eklemek için artık DaVinci Resolve'deki Fusion sayfasını açabilirsiniz. Katman bazlı görüntü birleştirme yazılımlarından farklı olarak Fusion, düğümleri kullanır ve görüntü verilerini herhangi bir yönde dağıtırken, kompleks efektler oluşturmanıza izin verir. "Nodes" yani düğümler penceresi, kullandığınız tüm araçları açıkça gösterir. Renk sayfasındaki düğüm iş akışını deneyimlediyseniz, bu size tanıdık gelecektir.



Fusion sayfası; medyanızı görüntülemek için aktarım kontrolleri ile üst kısımda 2 adet görüntüleyici, araç ayarlarınıza erişmeniz için sağ tarafta bir denetleyici penceresi ve görüntü kompozisyonunuzu oluşturmanız için, alt tarafta bir nodes (düğüm) penceresi içerir. Görüntüleyiciler ve aktarım kontrolleri her zaman görünür olduğu halde, ekranın en üst kısmındaki arayüz araç çubuğundaki ikonların tıklanması, düğüm ve denetleyici pencerelerini gösterip saklamanızı veya spline (eğri) ve keyframe'ler için düzelticiler ile efekt bankası da dahil olmak üzere, ilave pencereleri göstermenizi veya saklamanızı sağlar.



Medya Havuzu (Media Pool)

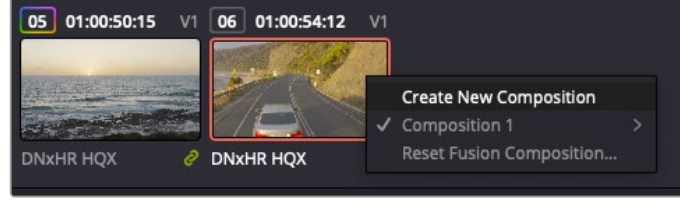
Medya havuzu, kurgu sayfasında olduğu gibi çalışır. İlave medyayı, doğrudan bin'lerinizden kompozisyonunuza sürükleyip bırakın.

Effects Library (Efekt Belgeliği)

Efekt belgeliği; Fusion araçlarınızı ve şablonlarınızı partikül (particle), takip (tracking), filtreler (filters) ve üreticiler (generators) gibi kategorilere ayrılmış olarak bulacağınız yerdir. Kompozisyonunuza eklemek için, araç üzerine tıklayabilir veya nodes (düğümler) penceresine sürükleyebilirsiniz. Medya havuzu ve efekt belgeliği aynı ekran alanını kullanırlar; bu yüzden, görüntüleyicilerinizi olabildiğince büyük tutmak için ikisi arasında değiştirebilirsiniz.

Klipler (Clips)

'Clips' sekmesini tıklamak, timeline'izdeki klipleri temsil eden küçük resimleri (thumbnails) ortaya çıkaracak veya saklayacaktır. Küçük resimler, düğüm düzelticilerin altında bulunur ve başka klipler arasında hareket etmenizi sağlar.



Bir küçük resim üzerine sağ tıklayıp, 'create new composition' (yeni kompozisyon oluştur) ibaresini seçerek kompozisyonunuzun yeni bir versiyonunu oluşturun.

Viewers (Görüntüleyiciler)

Görüntüleyiciler daima görünürler ve kompozisyonunuzun farklı görünüşlerini görmenizi sağlarlar. Mesela; 3D birleştirme düğümü üzerinden genel bir 3 boyutlu perspektif, kameranın bir çıkışı veya son işlem çıktınız. Bu görüntüleyiciler ayrıca, yaptığınız bir değişikliğin belli bir unsuru nasıl etkilediğini de görmenizi sağlar.

Bir düğümü tıklayıp sol görüntüleyici için '1' veya sağ görüntüleyici için '2' yazarak, hangi düğümlerin görüntüleneceğini seçebilirsiniz. Hangi görüntüleyiciye atandığını göstermek üzere, düğümün altında beyaz buton ikonları belirecektir. Harici video monitörleri kullanıyorsanız, medyanızı harici video monitörüne yönlendirmeniz için, üçüncü bir buton hazır olacaktır.

BİLGİ Görüntüleyici içine sürükleyip bırakarak da bir düğümü bir görüntüleyiciye atayabilirsiniz.

Görüntüleyicilerin altındaki aktarım denetimleri, bir klipin başına veya sonuna atlamanızı, ileri oynatmanızı (play forward) veya geri oynatmanızı (reverse) veya oynatımı durdurmanızı sağlar. Zaman cetveli; giriş ve çıkış noktalarını gösteren sarı işaretler ile, bir klipin tam aralığını gösterir.



Zaman cetvelindeki sarı renkli işaretler, timeline'iz üzerinde klipinizin giriş ve çıkış noktalarını gösterir. Bir Fusion klipi veya bileşik klip kullanıyorsanız zaman cetveli sadece klipin timeline'de görüldüğü süreyi gösterecektir.

Nodes (Düğümler):

'Nodes' penceresi Fusion sayfasının kalbidir ve bir düğümün çıkışından diğer düğümün girişine araçları birbirine bağlayarak, düğüm ağacınızı (node tree) oluşturduğunuz yerdir. Bu alan, hangi düzelticilerin açık olduğuna bağlı olarak boyutunu değiştirecektir; mesela spline (eğri) veya

keyframe düzeltici. Düğümler bölgesinin üzerindeki bir araç çubuğu, hızlı erişim için en çok kullanılan araçları içerir.

Spline (Eğri)

Eğri düzeltici açık olduğunda, düğümler penceresinin sağ tarafında görünecektir. Bu düzeltici, her bir düğümüne hassas ayarlamalar yapmanızı sağlar. Mesela; bezier eğrisini kullanarak iki keyframe arasındaki animasyonun pürüzlerini giderme gibi.

Keyframeler

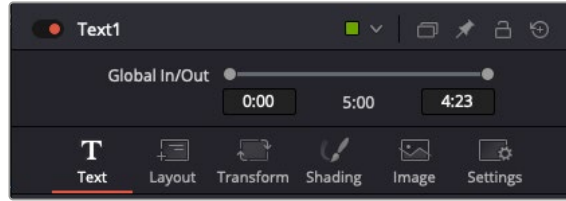
Her bir araç için keyframe'ler eklenebilir, çıkarılabilir veya keyframe düzeltici ile değiştirilebilir. Bu da düğümler penceresinin sağında görünür.

Metaveri

Metaveri penceresi; kodek, kare hızı ve zaman kodu dahil olmak üzere, aktif klip için mevcut üstveriyi size gösterecektir.

Inspector (Denetleyici)

Sağ üst köşedeki denetleyici, bir veya daha fazla seçili düğüm için, kullanılabilir tüm ayarları ve değiştiricileri gösterir. Düğümler için diğer ayarlara hızlı erişim sağlamak üzere, ilave sekme seçenekleri, kategorilere göre sıralanmış olarak görünecektir.

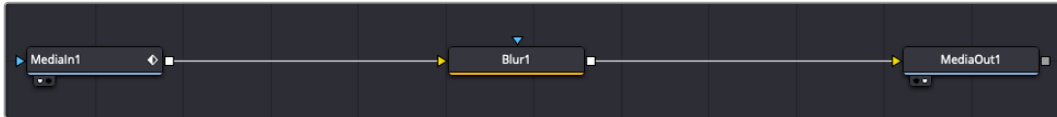


Metin denetleyici; yazı, düzen, dönüşüm, gölgeleme, görüntü ve ayarlar için fazladan sekmeler içerir.

Fusion ile Başlarken

Fusion ile başlamak için, timeline üzerindeki herhangi bir klip üzerine timeline çubuğunuzu (playhead) yerleştirmeniz ve Fusion sayfasını açmak için, 'Fusion' sekmesine tıklamanız yeterlidir.

Fusion sayfasında, 'MediaIn' olarak etiketli bir medya giriş düğümü içinde, klibinizin anında kullanıma hazır olur. Her kompozisyon, bir 'mediain' (medya girişi) ve bir 'mediaout' (medya çıkışı) düğümü ile başlar. Bu mediain düğümü, timeline çubuğunda en üstteki klibinizi temsil eder ve alttaki tüm klipleri dikkate almaz. Kurgu sayfasında klibe uyguladığınız her düzeltme de eklenmiştir. Örneğin; dönüştürme araçları ve kırpma değişiklikleri.



'MediaOut' isimli medya çıkış düğümü, DaVinci Resolve'nin kurgu sayfasındaki timeline'e nize, çıkışı geri gönderen düğümdür.

BİLGİ Cut veya edit sayfalarında kliplere uygulanan ResolveFX veya OFX eklentileri, Fusion sayfasında uygulanmaz. Bunun nedeni, Fusion efektlerinin renk düzeltilmeden ve OFX/ResolveFX işleminden önce meydana gelmesidir. OFX'in Fusion efektlerinden önce uygulanmasını istiyorsanız; kurgu sayfasında klibi sağ tıklayın ve Fusion sayfasını tıklamadan önce 'new fusion clip' (yeni Fusion klibi) ibaresini seçin.

Düğüm Hakkında

Her bir düğümü, tek bir aracı veya efekti temsil eden görsel bir ikon olarak düşünmek yardımcı olabilir. Düğümler, genel kompozisyonu oluşturmak için diğer düğümlere bağlanırlar, aynen bir kek içindeki malzemeler gibi. Detaylı görsel efektler oluştururken kompozisyonunuzun akışını yönlendirmenize yardımcı olacağı için, her bir düğümün girişlerini ve çıkışlarını anlamak önemlidir.

Bazı araçların, diğer düğümlere bağlayabileceğiniz birçok girişi ve çıkışı vardır. Mesela 'merge' (birleştirme) düğümü; bir önplan girişi, arkaplan girişi ve matte'ler ve key'ler için bir maske (mask) girişi bağlamanıza izin verir.

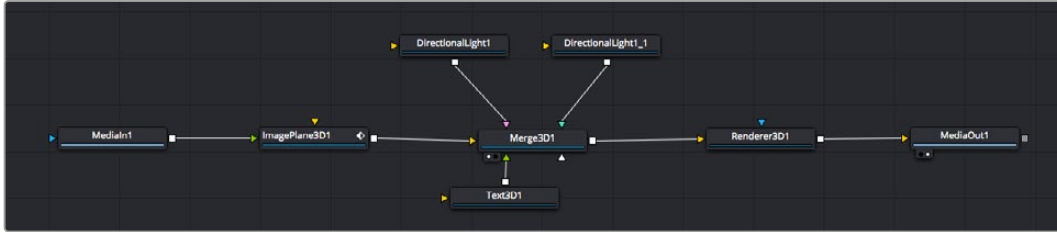


Düğümelerde birden fazla çıkışın olması, tek bir düğümün kompozisyonunuzdaki birçok farklı düğümle bağlanabileceği anlamına gelir; böylelikle, katman bazlı yazılımlarda olduğu gibi, kliplerinizi kopyalamanıza gerek kalmaz. Bağlı düğümlerin arasındaki çizgilerdeki oklar, görüntü verisinin hangi yönde aktığını göstermek için, çok iyi görsel işaretlerdir.

Düğüm Düzelticiye (Node Editor) Düğümlerin Eklenmesi

Efetlerin eklenmesi, 'mediain' ve 'mediaout' düğümlerinin arasındaki hattın üzerine bir düğüm yerleştirmek kadar kolaydır.

Bunu yapabilmemiz için birkaç farklı yol vardır. Shift tuşunu basılı tutarken iki düğüm arasında bir düğüm bırakabilir veya efekt eklemek istediğiniz düğümün üzerine tıklayıp, eklemek istediğiniz aracı seçebilirsiniz. Yeni düğüm, seçtiğiniz araca otomatik olarak bağlanacaktır. Ayrıca, düğüm penceresinde herhangi bir yere bir düğüm ekleyebilir ve birinin çıkışını diğerinin girişine sürükleyerek düğümleri birbirine elle bağlayabilirsiniz.



En çok kullanılan araç, 2D (2 boyutlu) veya 3D (3 boyutlu) birleştirme (merge) düğümüdür. Bu düğüm, düğüm düzelticindeki araçları tek bir çıkışa toplayan merkezi bir dağıtıcı gibidir.

Boyut, konum ve harmanlama (blend) ayarları da dahil olmak üzere, girişlerin idare edilmesi için birleştirme düğümünün kontrolleri vardır. Birleştirme düğümü seçildiğinde, bu ayarların hepsine denetleyiciden erişilebilir.

Düğüm panelinin üstündeki araç çubuğu, en fazla kullanılan araçları, ikonlar olarak içerir. Düğümlere eklemek için bunları tıklayabilir veya aracı düğüm paneline sürükleyip bırakabilirsiniz. Kullanılabilir araçların tamamını görmek istiyorsanız sol üst köşedeki 'effects library' (efekt belgeliği) ibaresi üzerine tıklayın ve 'tools' (araçlar) seçeneğini genişletin. Burada, mercek parlaması (lens flare), gölgeleyiciler (shaders) ve arkaplanlar (backgrounds) gibi, önceden yapılmış bir şablon (templates) setinin yanı sıra, tüm araçları kategorilere ayrılmış olarak bulacaksınız.

BİLGİ Araç isimlerine bir kez aşına olduğunuzda, klavyenizde 'shift' tuşunu basılı tutup ara çubuğuna (spacebar) bastığınızda, bir 'select tools' (araçları seç) menüsü belirecektir. Araç ismini girerken, menü ilgili aracı önerecektir. Bu, istediğiniz aracı seçmek için çok hızlı bir yoldur.

Denetleyici (Inspector) Panel ile Düğümlerin Ayarlanması

Denetleyici paneli kullanarak düğümünüzün ayarını düzeltin. Değiştirmek istediğiniz düğüm üzerine tıklayın ve ayarlarını ve kontrollerini görüntülemek üzere panel güncellenecektir.

Fusion ile, düzelttiğiniz düğümü görüntülemek zorunda değilsiniz çünkü, kompozisyonunuzdaki bir düğümü görüntülerken diğerini değiştirebilirsiniz. Örneğin; birleştirme düğümü görüntülerken, bir 'text+' (yazı) düğümünün ebadını ve merkez konumunu değiştirebilirsiniz. Böylelikle, arkaplana göre yazıyı görüntülemenizi sağlar.



Seçili düğümler, kırmızı bir çerçeve ile görüntülenir. Burada denetleyici panel, metin/yazı düğümü için düzen sekmesi kontrollerini gösteriyor.

Görevine bağlı olarak her düğüm için, boyutlandırma ve merkez konumdan, bir yayıcı (emitter) düğümdeki partikül sayısını değiştirmeye varan, düzeltebileceğiniz farklı parametreler ve ayarlar vardır. Keyframe'leri ayarlama ve ayarları zaman içinde değiştirme, efekti canlandıracaktır.

Keyframe'ler ile Çalışma

Denetleyici penceresinde, bir ayarı sağ tıklayarak ve içeriksel menüde 'animated' (canlandırılmış/hareketli) seçeneğini seçerek bir keyframe belirleyin. Ayarın sağ tarafındaki keyframe ikonu, kırmızıya dönüşecektir. Bunun anlamı, keyframe'lerin şimdi aktif olduğu ve yapacağınız herhangi bir değişikliğin sadece şu anki kareye uygulanacağıdır. Farklı bir karede ayar parametrelerini değiştirerek iki veya daha fazla keyframe oluşturulduğunda, aralarına bir geçiş eklenir. Keyframe ikonunun her iki yanındaki oklar, timeline üzerindeki o kesin noktalara, timeline çubuğunu taşımanızı sağlar.



Burada, 'size' (ebat) keyframe animasyonu, bir bezier eğrisine düzenlenmiştir. Eğriyi kısaltmak veya uzatmak için, bezier kollarını tıklayabilir veya keyframe konumunu değiştirmek için, keyframe kare ikonunu tıklayabilirsiniz.

Eğri şeklindeki düzelticiler, keyframe animasyonu üzerinde size daha fazla kontrol sağlar. Birinci (first) ve sonuncu (last) gibi keyframe'ler seçebilir ve 'shift' + 's' tuşları ile aralarındaki animasyonu bir bezier eğrisine düzleyebilirsiniz veya bir keyframe'ye sağ tıklayıp 'smooth' (düzleştir) ibaresini de seçebilirsiniz.

Motion Tracker (Hareket Takipçisi) Kullanma ve Metin Ekleme

Fusion' sayfasını daha iyi kullanabilmeniz için, aşağıdaki örnekleri ekledik. Böylece, bir klipteki bir öğeyi takip etmek için takipçi aracını (tracker tool) nasıl kullanacağınızı, nasıl metin ekleyeceğinizi ve takip verisini kullanarak onu öğeye nasıl bağlayacağınızı göreceksiniz.

Takipçi aracı; x ve y eksenlerinde zamanla piksel detaylarını takip eder ve başka öğeler eklemek için kullanabileceğiniz veriler oluşturur. Bu; yol boyunca hareket eden bir araba veya karenin bir ucundan diğerine uçan bir kuş gibi, hareket eden bir nesneyle yazı konumunu eşleştirmek istediğinizde çok iyidir.

- 1 Efekt bankasında 'tracker' (takipçi) aracını seçin ve 'mediain' ve 'mediaout' düğümleri arasındaki çizgiye sürükleyin. Denetleyicide özelliklerini görüntülemek üzere, şimdi takipçi düğümü tıklayın.
- 2 Takipçi düğümü, soldaki ekranda görüntülemek için, klavyenizde '1' tuşlayın. Klip, takipçi ile beraber ekranda varsayılan konumunda belirecektir. Takipçi kollarını ortaya çıkarmak için, fare imlecini takipçi üzerinde gezdirin. Sol üst köşedeki takipçi kolunu tıklayın ve takipçiyi klibinizdeki bir ilgi alanına sürükleyin. Bir arabanın kaputu üzerindeki amblem gibi, yüksek kontrastlı bölgeler, iyi çalışır. Ekstra doğruluk için, takipçi görüntü bölgesini büyütecektir.
- 3 Takibi başlatmak için, denetleyici penceresinde 'track forward' (ileri doğru takip et) butonunu tıklayın. Takip işlemi sona erdiğinde, bir bilgilendirme penceresi belirecektir. 'OK' ibaresini tıklayın.

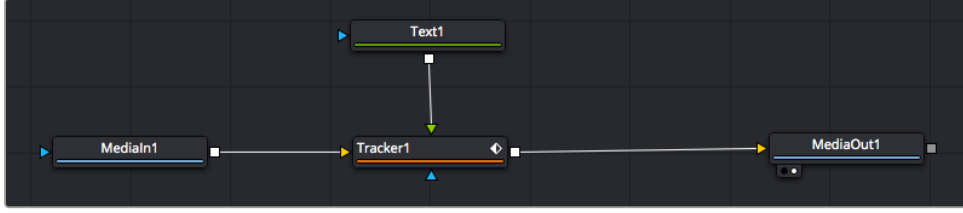


Denetleyici panelindeki takip seçeneklerine; 'son kareden veya mevcut kareden ters yöne takip', 'takibi durdur' ve 'mevcut kareden veya ilk kareden ileri takip' dahildir.

BİLGİ 'Mevcut kareden ters yöne veya ileri takip' seçeneği, kareden dışarı doğru hareket eden bir araba veya kuş gibi, ilgi alanınızın render işlemi aralığında kaybolduğu durumlar için çok iyidir. Bu, sadece ilgili görüntüyü takip etmenizi sağlar.

Şimdi bu takip verisini alabilir ve hareket yolunu bir yazı aracına uygulayabilirsiniz

- 4 Sıkça kullanılan düğümlerin araç çubuğunda, 'text+' (yazı) düğüm ikonu üzerine tıklayın ve 'tracker' düğümü yanındaki düğüm paneline sürükleyip bırakın. 'Text' (yazı) çıkış karesini, 'tracker' (takipçi) üzerindeki yeşil önplan girişine bağlayın.



- 5 Birleştirilmiş sonuçları sol taraftaki ekranda görüntülemek için, 'tracker' düğümü üzerine tıklayın ve klavyenizde '1' tuşlayın. Takipçi denetleyici panelinde 'operations' (işlemler) sekmesi üzerine tıklayın. 'Operation' sekmesinin yanındaki menüyü tıklayın ve 'match move' (hareketi eşleştir) ibaresini seçin.
- 6 Denetleyicide özelliklerini görüntülemek üzere, şimdi 'text' (metin/yazı) düğümünü tıklayın. Yazı kutusuna metninizi yazın ve kompozisyonunuza uyması için; yazı tipini, rengini ve ebadını değiştirin.

Bu, takipçinizden gelen takip konum verisini, metnimize uygulayacaktır. Yazının kenardan uzaklığını (offset) değiştirmek istiyorsanız, denetleyici panelinde 'trackers' sekmesi üzerine tıklayın ve konumu değiştirmek için, x ve y offset kaydırma tekerlerini kullanın.



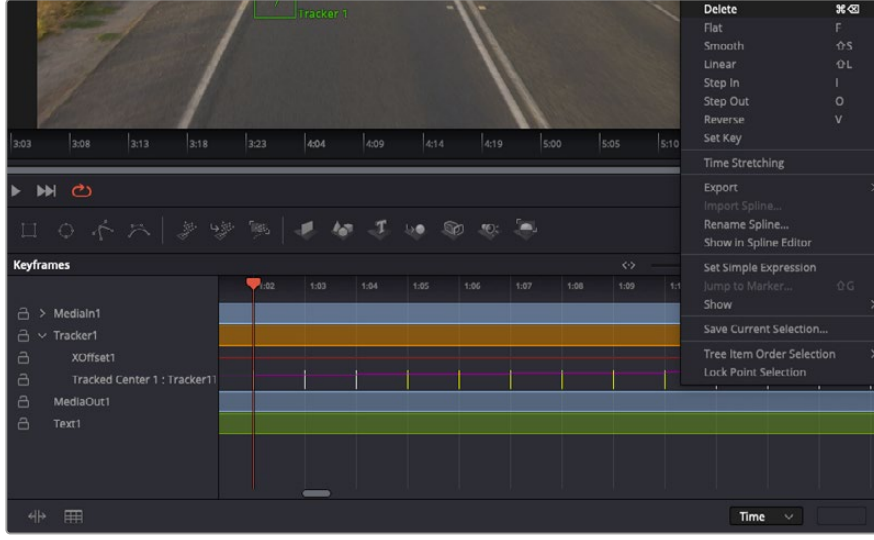
Takipçi denetleyici panelinin alt kısmındaki kaydırma tekerleri, metin için offset (kenar boşluğu) konumunu düzeltmenizi sağlar.

Şimdi kompozisyonunuzu geri oynatabilir ve metninizi, takip ettiğiniz nesneye bağlı olarak görebilirsiniz!



Yeşil dikdörtgen, yeşil rota boyunca takipçinin mevcut konumudur ve kesik kesik kırmızı çizgi, yazının anime edilmesi için kullanılan, kenardan uzaklık (offset) konumudur.

Bazı çekimler için, takipten sonra takip noktalarını kaldırmak isteyebilirsiniz; örneğin, takip ettiğiniz nesne ekrandan kaybolduğunda. Keyframe düzeltici, bunu çok basit bir işlem haline getirir.



- 7 Keyframe düzelticiyi açmak için, denetleyicinin üzerindeki keyframe sekmesi üzerine tıklayın. Keyframe'lerin uygulandığı her düğümde, düğüm etiketinin yanında küçük bir ok olacaktır ve sadece keyframe'lerin eklendiği parametreler alttaki listede görünecektir. Büyüteç ikonu üzerine tıklayın ve değiştirmek istediğiniz bölgenin etrafına bir kutu sürükleyin. Bu, keyframe'leri daha kolay görebilmeniz için, o bölgeyi yakınlaştıracaktır.
- 8 Timeline çubuğunu (playhead), istediğiniz sonuncu keyframe'nin konumuna getirin. Fare ile etraflarında bir kutu çizerek, çıkarmak istediğiniz keyframe'leri seçin. Keyframe'ler sarı renkte vurgulanacaklardır. Sağ tıklayın ve menüden 'delete' (sil) ibaresini seçin.

BİLGİ Efektleriniz özellikle sistemi yoğun çalıştıran türdense, aktarım kontrolleri bölgesine sağ tıklamak, proxy oynatım dahil olmak üzere, size görüntüleyici seçeneklerini verecektir. Bu da kompozisyonunuzu oluştururken, sisteminizden en iyi şekilde faydalanmanızı sağlar. Playback (oynatım) seçenekleri hakkında daha fazla detay için, DaVinci Resolve kullanım kılavuzuna bakın.

Çekiminizdeki bir harekete eşleşmesi için, metni anime eden ilk kompozisyonunuzu şimdi tamamladınız!

Görüntünüzde geliştirmek veya değiştirmek istediğiniz düz bir yüzeyi içeren bir bölgeyi takip etmek istiyorsanız, 'planar tracker' (düzlemsel takipçi) aracını kullanabilirsiniz. 2 boyutlu düzlemlerin takibi, hareket eden bir görüntüdeki etiket ve işaretleri değiştirmek için ve hatta görüntünüzdeki bir ekrana veya televizyona bir görüntü eklemek için faydalı olabilir.

Düzlemsel takipçi ve DaVinci Resolve'nin Fusion sayfasındaki birçok etkili araç hakkında daha fazla bilgi için, DaVinci Resolve kullanım kılavuzuna bakın.

BİLGİ Fusion sayfasında görsel efektler oluşturdukça, efektlerin 2 veya 3 boyutlu olduklarını not etmeniz önemlidir, çünkü bu hangi birleştirme aracının kullanıldığını belirler. Birleşik görüntüde (composite), sıklıkla 2 boyutlu ve 3 boyutlu efektleri birleştirdiğinizi keşfedebilirsiniz. Bu gibi durumlarda, 3 boyutlu alanı kullanan her görsel efektin, 2 boyutlu olarak birleştirilmeden önce, 2 boyutlu bir görüntü olarak render işlemine tabi tutulması gerektiğini hatırlamakta fayda vardır.

DaVinci Resolve'nin kurgu, renk ve Fairlight sayfalarının gücü ile Fusion'un görsel efektlerini keşfederken ve Fusion ile çok eğleneceğinize inanıyoruz. Tüm araçlar elinizdeyken, DaVinci Resolve inanılmaz derecede etkilidir ve ne oluşturabileceğinizin gerçekten bir sınırı yoktur!

Kurgunuzun Master Dosyalarının Oluşturulması

Artık; kurgulama, renk düzeltme yapip, vfx (görsel efektler) eklediğinize ve sesin miksajını yaptığınıza göre, kurgunuzu başkalarıyla paylaşmak isteyeceksiniz. Timeline'nizin içeriğini, farklı format çeşitlerinden biri şeklinde bağımsız bir dosya olarak çıkarmak için; 'quick export' isimli hızlı dışa aktarma butonunu veya menü seçimini ya da 'deliver' (teslimat) sayfasının ilave özelliklerini kullanabilirsiniz.



Kurgunuzu dışa aktaracağınız yer, 'deliver' sayfasıdır. Birçok farklı video formatı ve kodek arasında seçim yapabilirsiniz.

Quick Export (Hızlı Çıktı Alma)

DaVinci Resolve'nin herhangi bir sayfasından programınızın çıktısını almak için dışa aktarma önayarlarından birini kullanmak üzere File > Quick Export sekmelerini seçebilirsiniz. YouTube, Vimeo, Twitter ve Frame.io dahil olmak üzere, desteklenen video paylaşım servislerinden birine programınızı yüklemek için bile, 'quick export' seçeneğini kullanabilirsiniz.

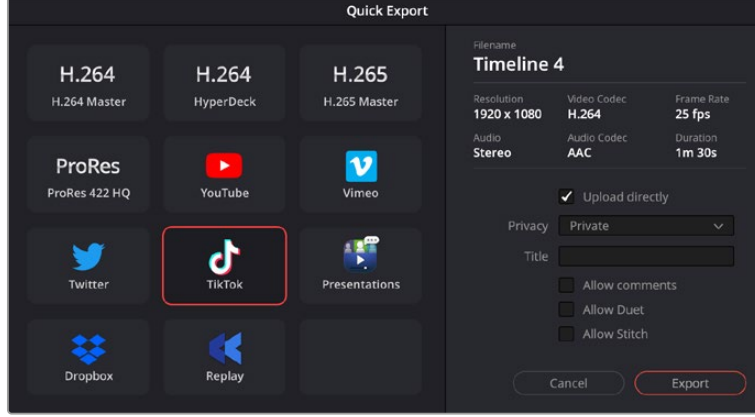
Quick Export özelliğini kullanmak için:

- 1 Hızlı Kurgu (cut), kurgu (edit), Fusion veya renk (color) sayfasında, mevcut programın dışa aktarmak istediğiniz bir aralığını seçmek için giriş (in) ve çıkış (out) noktaları ayarlayın. Giriş ve çıkış noktaları ayarlanmadığında, timeline'nin tamamı dışa aktarılacaktır.

File > Quick Export sekmelerini seçin

- 2 Kullanmak için hızlı çıktı alma diyalog penceresindeki simgelerden bir önayar seçin. Eş zamanlı olarak bir online hesaba yüklemek istiyorsanız, oturum açmak üzere "sign in" butonunu tıklayın ve ardından "upload directly" etiketli doğrudan yükleme onay kutusunu tıklayın ve gerekli detayları girin. "Export" butonunu tıklayın.
- 3 Bir dizin konumu seçin ve export diyalog penceresini kullanarak bir dosya ismi girin sonra, 'save' (sakla) ibaresini tıklayın. Dışa aktarım işleminin ne kadar süreceğini bildirmek için, bir ilerleme çubuğu göstergesi belirir.

NOT TikTok benzeri internet hesaplarına doğrudan yükleme yaparken, DaVinci Resolve'nin internet hesapları ayarlarını kullanarak da oturum açabilirsiniz. Bu ayarlar, DaVinci Resolve tercihlerinin "system" sekmesindedir.



Projenizin çıktısını alırken, "upload directly" ayarını tıklayıp detayları doldurarak projenizi doğrudan TikTok'a yükleyin

Tesimat (Deliver) Sayfası

Bu sayfa, çıktısını almak istediğiniz kliplerin sırasına ek olarak; formatını, kodeğini ve çözünürlüğünü seçmenizi sağlar. QuickTime, AVI, MXF ve DPX gibi birçok formatta 8-bit veya 10-bit sıkıştırılmamış RGB/YUV, ProRes, DNxHD, H.264 ve daha fazlası gibi kodek kullanarak, dışa aktarma işlemini yapabilirsiniz.

Kurgunuzun tek bir klibini dışa aktarmak için:

- 1 Teslim sayfasını açmak için 'deliver' (teslimat) sekmesini tıklayın.
- 2 Sayfanın sol üst köşesinde bulunan 'render settings' (çıkırtı ayarları) penceresine girin. Sayfanın üst solunda bulunan 'render settings' (çıkırtı ayarları) penceresine girin. Çeşitli çıkırtı alma önayarlarından seçim yapın. Örneğin; YouTube, Vimeo ve ses önayarları ya da varsayılan 'custom' (özel) önayarına kurulu bırakarak ve kendi parametrelerinizi girerek, kendi export ayarlarınızı elle düzenleyebilirsiniz. Bu örnek için, YouTube'yi seçin, sonra önayarın yanındaki oku tıklayın ve 1080p video formatını seçin.

Kare hızı, projenizin kare hızı ayarına kilitli olacaktır.

- 3 Önayarların altında, timeline dosyasının adını ve dışa aktarılacak videonuzun hedef konumunu göreceksiniz. 'Browse' (tarama) butonunu tıklayın ve dışa aktarılacak dosyanızı kaydetmek istediğiniz konumu seçin ve sonra render seçeneğinden 'single clip' (tek klip) ibaresini seçin.
- 4 Timeline'nin hemen üzerinde, 'entire timeline' (timeline'nin tamamı) ibaresinin seçilmiş olduğu bir seçenek kutusu göreceksiniz. Bu fonksiyon, timeline'nin tamamını dışa aktarır, ancak isterseniz timeline üzerinde bir aralık da seçebilirsiniz. Yapmanız gereken şey, 'in/out range' (giriş/çıkış aralığı) ibaresini seçmek ve sonra 'i' ve 'o' kısayollarını kullanarak timeline'nizdeki giriş ve çıkış noktalarını seçmektir.
- 5 'Render settings' sekmesinin sonuna gidin ve 'add to render queue' butonuna tıklayın.

Render ayarlarınız, sayfanın sağ tarafındaki render kuyruğuna eklenecektir. Şimdi yapmanız gereken tek şey, 'start render' (render işlemini başlat) üzerine tıklamak ve render kuyruğunda render işleminin ilerlemesini denetlemektir.

Render işleminiz tamamlandığında; dosya konumunu açabilir, yeni render edilmiş klibiniz üzerine çift tıklayabilir ve tamamlanmış kurgunuzu izleyebilirsiniz.

Artık; kurgulama, renk düzeltme, ses miksajı ve görsel efektler ekleme hakkında temel bilgilere sahip olduğunuza göre, DaVinci Resolve ile denemeler yapmanızı tavsiye ederiz. Projenizden en iyi sonucu almanız için her bir özelliğin size nasıl yardım edeceği konusunda daha fazla bilgi edinmek üzere, DaVinci Resolve kullanım kılavuzuna bakın!

DaVinci Resolve Studio'da, aşağıdaki 'ResolveFX Revival' eklentileri, Cintel Scanner ile taramış olduğunuz çekimleri restore etmenize yardımcı olacaktır. Bu güçlü araçlar; film kliplerinizdeki gürültüyü azaltabilir, çizikleri ve lekeleri onarabilir ve başka görülebilir hasar ve bozuklukları gidermekte yardımcı olabilirler.

Otomatik Leke Giderme Özelliği

Automatic Dirt Removal (Otomatik Leke Giderme) eklentisi; geçici bir süre sabit olmayan toz, kir, kıl, bant darbeleri ve bir veya iki kare görünüp sonra kaybolan diğer istenmeyen görüntü bozukluklarını hedeflemek ve onarmak için, optik akış teknolojisini kullanır. Tüm onarmalar, temel karedeki yapısal olarak tutarlı detayları muhafaza ederken yapılır ve görüntünün yüksek kaliteli bir restorasyonu ile sonuçlanır. Neyse ki karmaşık olmasına rağmen, kullanımı nispeten kolay bir eklentidir; eklentiye bir çekim üzerine bırakmanız, en iyi sonuçları elde etmek için parametrelerini ayarlamanız ve değişiklikleri uygulamasını izlemeniz yeterlidir.



Orijinal görüntü solda ve otomatik leke giderme kullanılan görüntü sağda

NOT Birkaç kare boyunca aynı konumda kalan dikey çizikleri gidermek için kullanıldığında, bu eklenti daha az başarılıdır ve çekim boyunca merceğin üzerinde kalan lekeler için tamamen etkisizdir.

Ana Kontroller

Görüntüden ne kadar kirin giderileceğini ayarlamak için kullanılan ana kontroller.

Motion Estimation Type (Hareket Tahmin Türü)

'None' (hiçbiri), 'faster' (daha hızlı), 'normal' ve 'better' (daha iyi) arasından seçim yapmanıza olanak verir. Bu, performans ile kalite arasındaki dengeyi ayarlar.

Neighbor Frames (Yandaki Kareler)

Leke tespiti yaparken kıyaslama yapacağınız kare sayısını seçmenizi sağlar. Kıyaslama için daha fazla sayıda karenin seçilmesi, işlemin tamamlanmasını uzatır ama, genellikle daha çok leke ve görüntü bozulması bulunmasıyla sonuçlanır.

Repair Strength (Tamirat Şiddeti)

Bu sürgü, bulunan leke ve görüntü bozukluklarının ne kadar agresif bir tutumla tamir edileceğini seçmenizi sağlar. Daha düşük ayarlar, leke olup olmadığı tam olarak bilinmeyen küçük parçaların geçmesine izin verirken, daha yüksek ayarlar, bulunan herşeyi ortadan kaldırır.

Dirt Size Threshold (Kir Boyutu Eşiği)

Bu sürgü, giderilmesi için tespit edilen bir kir parçasının ne kadar büyük olması gerektiğini ayarlamana sağlar. Bu parametrenin yükseltilmesi, film gren gibi öğeleri işlemden hariç tutmanızı mümkün kılar, ancak daha küçük kir parçalarının geçmesine sebep olabilir.

Show Repair Mask (Tamir Maskını Göster)

Onay kutusu, kendiliğinden tespit edilen lekeleri ve görüntü bozulmalarını görmenizi sağlar; böylelikle, bu filtreye ince ayarlamalar yaptıkça, sonuçlarının etkisini görebilirsiniz.

İnce Ayar Kontrolleri

Bu kontroller, gerçek görüntü detaylarını muhafaza etmek ile kirin başarılı bir şekilde giderilmesi arasındaki dengeyi en iyi hale getirmek için efekte ince ayar yapmanızı sağlar.

Motion Threshold (Hareket Sınırı)

Bu sürgü, hareket halindeki piksellerin leke ve görüntü bozulması olarak değerlendirileceği sınırı seçmenizi sağlar. Daha düşük değerlerde, daha fazla leke, düzeltme işleminden kaçabilir ama, daha az harekete bağlı görüntü bozukluğuna maruz kalacaksınız. Daha yüksek değerlerde, daha fazla leke ortadan kaldırılacaktır ama, kamera veya konunun hareketi ile oluşan görüntü bozulmalarının daha fazlasına maruz kalabilirsiniz.

Edge Ignore (Kenarı Yoksay)

Bu sürgü, çıkarılan leke veya görüntü bozuklukları tarafından etkilenmemeleri için görüntüdeki keskin kenarları hariç tutmanızı sağlar. Daha yüksek değerler, daha fazla kenarın etkilenmesini engeller.

Sıcak Piksel Tamiri

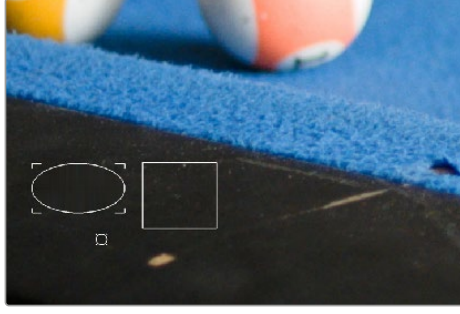
Tarayıcıdan gelen kliplerinizde veya yazılıma getirilen görüntülerde belirli bir renk veya parlaklıkta sabitlenmiş bir veya daha fazla piksel varsa, DaVinci Resolve bunları düzeltmenize yardımcı olabilecek bir filtreye sahiptir. Bu filtre, "sıcak" piksellerin her biri üzerine yama yerleştirmenize olanak vererek onların saptanmasını sağlar ve görüntünün bu bölümlerini temizlemek için farklı yöntemler kullanabilirsiniz.

Birçok bakımdan bu filtre Dust Buster özelliğine benzer ancak Dust Buster efekti sadece bir veya iki kare boyunca beliren geçici toz ve kir parçalarını onarmak için tasarlanmışken, bu filtre, klip boyunca sabit olan lekeleri düzeltmek için tasarlanmıştır.

Sıcak pikselleri düzeltmek için:

- 1 "Dead pixel fixer" etiketli ölü piksel düzeltici filtreyi uygulayın ve görüntüleyicideki ekranüstü OFX kontrollerini etkinleştirin.
- 2 Filtre ayarlarında "place patch" isimli yama yerleştirmeyi seçin ve düzeltmeniz gereken her bir pikselin üzerine tıklayın. Görüntüdeki herhangi bir yeri tıklayabilir ve istediğiniz kadar yama yerleştirin.

Bir yamanın yerini değiştirmek için başka bir konuma sürüklemeniz yeterlidir. Artık ihtiyacınız olmayan yamaları silmek için de option yani seçme tuşuna basarak tıklayabilirsiniz.



Çok sayıda sıcak pikselin çıkarılması için kullanılan yamalar

Çok sayıda yama yerleştirdiğinizde, kontrollerini değiştirmek istediğiniz yamaları seçmek için tıklayabilirsiniz. Her bir yamanın farklı kontrol ayarları olabilir.

Genel

Bu üst düzey kontroller, karedeki lekeleri onarmak üzere kullanılacak yamaları nasıl çizeceğinizi, yamaların ekran üstü kontrollerini gösterip göstermemeyi ve bunu nasıl yapacağınızı seçmenize olanak verir.

Patch Style (Yama Tarzı)

Görüntü karesindeki farklı leke çeşitlerini onarmak için çizebileceğiniz üç farklı yama türü vardır.

Draw Rect (Dikdörtgen Çiz)

Bir köşeden karşı köşeye, istediğiniz boyutta bir dikdörtgen yama yerleştirmek için tıklayıp sürükleyin. Çizdikten sonra, katmanın herhangi bir kenarını tıklayabilir ve yeniden konumlandırmak için sürükleyebilirsiniz.

Draw Ellipse (Elips Çiz)

Bir köşeden karşı köşeye, istediğiniz boyutta bir elips yama yerleştirmek için tıklayıp sürükleyin. Çizdikten sonra, katmanın herhangi bir kenarını tıklayabilir ve yerini değiştirmek için sürükleyebilirsiniz.

Place Patch (Yama Yerleştir)

Özellikle, sıcak pikseller gibi çok küçük detaylar için küçük yamalar yerleştirmenizi mümkün kılar. Bu komutu seçtiğinizde, yerleştirmeden önce, yerleştirmek üzere olduğunuz yamaların boyutlarını değiştirmenize olanak veren “new patch size” ibareli bir yeni yama boyutu sürgüsü belirir. Çizdikten sonra, istediğiniz yamanın herhangi bir kenarını tıklayabilir ve yerini değiştirmek için sürükleyebilirsiniz.

Place Patch Seçildiğinde Yeni Yama Boyutu

“Place Patch” isimli yama yerleştirme aracını kullanarak yerleştireceğiniz yamanın büyüklüğünü seçmenizi sağlar.

Show Patches (Yamaları Göster)

Bu onay kutusu, görüntüleyicideki her yamanın ekran üzerindeki dış hatlarını göstermenizi veya gizlemenizi sağlar.

Hide During Interaction (Kullanım Esnasında Gizle)

Bir yamanın yerini değiştirirken, görüntüleyicideki her yamanın ekran üzerindeki dış hatlarını gizler; bu işlem, dış hatların bir engel teşkil etmemesini sağlar ve yama konumunu değiştirmenin görüntüye etkisini görmeyi kolaylaştırır.

Yama Türü

Seçilmiş bir yamanın içeriğini düzeltmeyi denemek için kullanabileceğiniz üç metot vardır. Yeni yamalar çizerken, o an seçili olan yama türü bir sonraki yamanın ne olacağını belirler. Mevcut bir yamayı seçtiğinizde, yama türünü değiştirmeniz yamanın fonksiyonunu değiştirir.

Spatial (Konumsal)

Dolgu yöntemini kullanarak, seçilmiş olan yamanın içeri, yamanın çevresinden alınan piksellerle otomatikman doldurur. Bu yöntem küçük lekeler üzerinde etkilidir, fakat büyük lekelerde yama deseni fark edilebilir, bu da yama olduğunu belli eder.

Clone (Klonla)

Klon modu, çıkarmak istediğiniz nesnenin üzerine yerleştirilen bir şekil veya yamanın içeri doldurmak üzere görüntünün bir bölümünü kopyalar. Bu modda, bir bozukluk üzerine bir dikdörtgen veya elips yerleştirmek üzere tıklayarak sürükleme işleminin ardından, klonlamak istediğiniz örnek bölgeyi belirlemek için ikinci bir tıklamayı gerektirir. Bir yama yerleştirmek için bir kere tıklayın ve ardından örnek bölgeyi bindirmek için de ikinci kez tıklayın. Mevcut bir şekli veya yamaya seçmek ve 'Clone' ibaresini seçmek, klon bölgesini konumlandırmak için şekli tıklamanıza olanak verir. Örnek bölge, orijinal şekle bağlı olan noktalı bir şekil ile gösterilir.

Blend Clone (Klonu Harmanla)

Klonlama moduna benzer şekilde çalışır ancak; dikdörtgeni, elipsi veya yamayı dolduran görüntünün kopyalanmış bölümünü görüntüyle harmanlayarak, daha yumuşak bir biçimde entegre olmasını sağlar.

Fill Method (Dolgu Yöntemi)

'Konumsal yama türü' kullanılırken, görüntüdeki bozukluğun nasıl onarılacağını dolgu yöntemi belirler.

Grid (Izgara)

Dikdörtgen, elips veya yamanın çevresindeki pikselleri örnekler ve onları içe doğru hem yatay hem de dikey olarak bulanıklaştırır. Ufacık lekeler için çok etkilidir. Daha büyük lekeler için, izgara tipi bir desen ortaya çıkabilir.

Horizontal (Yatay)

Dikdörtgen, elips veya yamanın sol ve sağındaki pikselleri örnekler ve içe doğru bulanıklaştırır.

Vertical (Dikey)

Dikdörtgen, elip veya yamanın üst ve altındaki pikselleri örnekler ve içe doğru bulanıklaştırır.

Patchy (Düzensiz)

Dikdörtgen, elips veya yamanın her tarafındaki pikselleri örnekler ve hepsini genişleterek bulanıklaştırır, böylece lekeyi onarmak için yumuşak ve düzensiz bir bölge oluşturur. Dolgu yönteminin izgara desenine sahip değildir, fakat oldukça pürüzsüz bir sonuç sağlar.

Smooth (Pürüzsüz)

Lekeyi onarmak için bir gauss blur efekti kullanır.

Yama Seçenekleri

Bu seçenekler, bir lekenin üzerini kapatan yamanın etkisini isteğinize göre ayarlamanıza olanak verir.

Mute (Yamayı Kapat/Aç)

Keyframe işlemi ile bir yamayı etkin veya etkisiz hale getirmenizi sağlar. Bir çekimin yalnızca birkaç pikselinde beliren lekeler için faydalıdır.

Üç Boyutlu Yamalar için Değişkenlik

Değişkenlik parametresini yükseltmek, dolgu yönteminin tekdüzeliğini azaltmanızı sağlar.

Soft Edges (Kenarları Yumuşat)

Yamanın kenarlarını yumuşatmanızı sağlar.

Size Adjust (Boyutu Değiştir)

Oluşturulduktan sonra bir yamanın boyutunu değiştirmenize olanak verir.

Gelişmiş Kontroller

Bu kontroller, bu efektin kullanıcı arayüzünü kişiselleştirmenizi sağlar.

Clone Sticks to Mouse (Klonu Fareye Yapıştır)

Etkinleştirildiğinde, klonlama veya klonu harmanlama modundayken bir dikdörtgen, elips veya yamanın çizilmesi ya da yerleştirilmesi, anında örnek bölgeyi konumlandırmaya geçerek kullanımını hızlandırır.

New Patches Stay Selected (Yeni Yamaları Seçili Olarak Tut)

Etkinleştirildiğinde, çizildikten sonra yamalar seçili kalarak, daha fazla kişiselleştirilmeye hazır olurlar.

UI Line Thickness (Arayüz Çizgi Kalınlığı)

Ekran üstü dışhatların ne kadar kalın olacağını seçmenizi sağlar.

Patches Stick to (Yamaları Sabitle)

Bu parametre, görüntü sabitleştirmeli kliplerdeki sıcak pikselleri veya lekeleri sabitlemenizi mümkün kılar.

Source (Kaynak)

Çekime hareket sabitleme uygulamadığınız müddetçe, yerleştirdiğiniz yamalar sabit kalır. Sabitleme uyguladığınız durumda ise görüntüyle birlikte yamalar da hareket eder ve düzelttikleri kaynak klipteki özelliğe “sabitlenmiş” olarak kalırlar.

Sahne

Hareket eden bir konu üzerindeki bir lekeyi gideriyorsanız, yamanın da düzelttiğiniz öğeyi takip etmesi için FX takipçiyi kullanabilirsiniz.

Output Mode (Çıkış Modu)

Bu mod, oluşturduğunuz efektin farklı gösterimlerini görmenizi sağlar. Dört seçenek vardır.

Patched Result (Yamanmış Sonuç)

Her yamanın üzerini kapattığı lekeyi onarmasıyla elde edilen nihai sonuç.

Patch Locations (Yama Konumları)

Yerleştirilen her yamanın, siyaha karşı beyaz olarak temsil edildiği bir key gösterir.

Differences (Farklar)

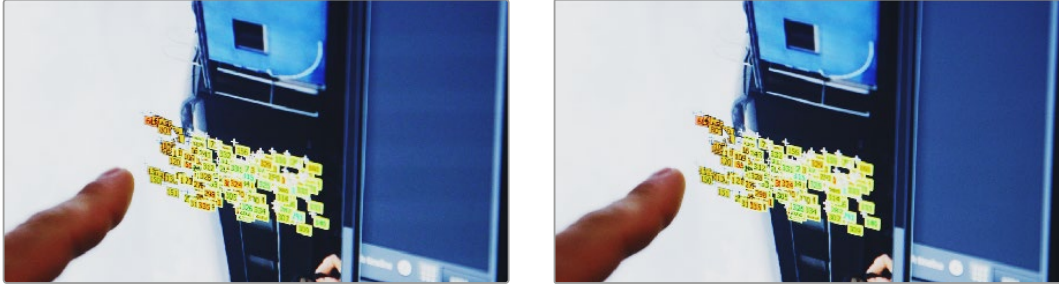
Orijinal görüntü ile karşılaştırıldığında, her yamanın oluşturduğu farkı gösterir.

Difference Magnitude (Farklılık Boyutu)

Farkların daha bariz bir temsili gösterir.

Deflicker (Kırpışma Giderme)

Deflicker isimli kırpışma giderme eklentisi; zaman atlamalı kliplerde pozlama kırpışması, floresan aydınlatma kırpışması, arşivsel film kaynaklarındaki kırpışma ve bazı göze çarpmayan durumlarda uyumsuz örtücü hızları olan kameralarla çekilmiş video ekranlarında görülen 'kayan çubuklar' (rolling bars) gibi farklı sorunların üstesinden gelir. Bu filtrenin iki kilit noktası; sadece görüntünün parlak kısımlarındaki hızlı, geçici değişiklikleri hedeflemesi ve bir görüntünün sadece kırpışmanın olduğu bölümlerini hedefleyip görüntünün diğer bölümlerine dokunmadan bırakmasıdır. Sonuç olarak bu eklenti, bir zamanlar 'düzeltilemez' olduğu kabul edilen problemleri çoğu zaman düzeltebilir.



Orijinal görüntü solda, kırpışma giderme özelliği floresan lambaya ayarlı görüntü sağda

Ana Parametreler

Fabrika ayarı olarak, bu eklentinin üst kısmı tek bir kontrolü ortaya çıkarır. Bu da çoğu durumda tek ihtiyacınız olabilir.

Deflicker Ayarları menüsü

Üstteki 'timelapse' (zaman atlamalı) ve 'fluoro light' (floresan ışık) isimli iki seçenek, kırpışma nedeniyle oluşan bozuklukların iki farklı türünü etkili olarak ortadan kaldıran ön ayarlardır. Bu seçeneklerin hiçbiri umduğunuz kadar etkili değilse üçüncü bir seçenek olan 'advanced controls' (gelişmiş kontroller), bu eklentinin merkezindeki 'temporal NR' (zamansal gürültü azaltma) kontrollerini, ihtiyacınıza göre daha da düzenlemeniz için açar.

Zamansal Gürültü Azaltma

Varsayılan olarak gizli olan bu kontroller, sadece 'deflicker setting' ayarını 'advanced controls' olarak ayarladığınızda ortaya çıkar. Kırpışmanın belirttiği kare dahilindeki maddelerin ve nesnelerin hareketlerine bağlı bir şekilde kırpışmanın doğru olarak ele alınmasını sağlamak için, hareketin nasıl tespit edileceğini seçmenize imkan verir.

Frames Either Side (Her İki Yandaki Kareler)

Görüntüde nelerin hareket halinde olduğunu tespit etmek için analiz edilecek karelerin sayısını belirler. Daha yüksek olan değerler, her zaman daha iyi olmayabilir. En iyi ayar yine sahneye bağlıdır. Varsayılan değer 3'tür.

Mo.Est. Type (Hareket Tahmin Türü)

Hareketi tespit etmek üzere görüntüyü analiz etmek için, DaVinci Resolve'nin kullandığı yöntemi seçer. Geçerli seçeneklerin isimlerine rağmen, en çok hangi seçeneklerin işe yarayacağı, çoğunlukla sahneye bağlıdır. "Faster" isimli daha hızlı seçeneği; işlemciyi yoğun çalıştırmaz ama hassasiyeti daha düşüktür. Yine de bu, bir avantaj olabilir ve "better" etiketli daha iyi seçeneğini yanıtlanabilecek yüksek detaylı görüntülerle, gerçekten daha iyi bir iş çıkarabilir. Better (daha iyi) seçeneğini seçme, daha doğru sonuçlar verir ama işlemciyi yoğun çalıştırır. Better seçeneği, ince detayları eşleştirmek için daha fazla çaba gösterir ve bu da bazen sorunlara neden olabilir. "None" yani, hiçbir seçeneği, hareket analizini tamamen etkisiz hale getirmenize imkan tanır. Bu da hiçbir hareketin olmadığı sahnelerde daha iyi ve epeyce daha hızlı çalışabilir. Varsayılan ayar "better" yani daha iyi seçeneğidir.

Motion Range (Hareket Alanı)

Small, medium ve large isimli üç ayar, karede tespit edilmesi gereken hareketin hızını seçmenizi sağlar.

Luma Threshold (Parlaklık Sınırı)

Threshold (sınır) değerini belirler. Bu sınırın üzerinde olan luma değişiklikleri titreme olarak dikkate alınmayacaktır. Aralığı 0 ile 100 arasındadır. 0 hiçbir şeye, 100 her şeye titreme giderme uygular. Varsayılan değer 100'dür.

Chroma Threshold (Renk Sınırı)

Threshold (sınır) değerini belirler. Bu sınırın üzerinde olan chroma değişiklikleri titreme olarak dikkate alınmayacaktır. Aralığı 0 ile 100 arasındadır. 0 hiçbir şeye, 100 her şeye titreme giderme uygular. Varsayılan değer 100'dür.

Gang Luma Chroma (Luma ve Chroma'yı Birleştir)

Luma ve chroma threshold (sınır) sürgülerini, birleştirip birleştirmeme konusunda seçim yapmanızı sağlar.

Motion Threshold (Hareket Sınırı)

Threshold (sınır) değerini belirler. Bu sınırın üzerinde olan hareketler, titreme olarak dikkate alınmayacaktır.

Hız Optimizasyon Seçenekleri

Fabrika ayarı olarak kapalıdır. Bu kontrol grubunun açılması iki kontrolü ortaya çıkarır:

Reduced-Detail Motion (Düşürülmüş-Detaylı Hareket) Onay Kutusu

Fabrika ayarı olarak açıktır, kırışmayı tespit etmek için analiz edilen detay miktarını düşürür. Birçok durumda, bu ayar gözle görünür bir fark yapmaz ama, işlem hızını artırır. Klbinizde aşırı bir şekilde yumuşatılmış ince detaylar varsa bu ayarı etkisiz hale getirin.

Limit Analysis Area (Analiz Alanını Sınırlama) Onay Kutusu

Bu özelliğin açtığınızda, kırışma giderme işlemini görüntünün belirli bir alanına sınırlamak için kullanabileceğiniz bir örnek kutusu üzerinde, kontroller ortaya çıkar. Bu seçenek, görüntünün sadece bir bölümünde kırışma olduğunda, sadece o bölüme odaklanmanın işlemi epeyce hızlandırdığı durumlarda veya görüntünün başka bir bölümünü çok iyi bir şekilde düzelten kırışma giderme işlemi, görüntünün bir bölümünü aşırı yumuşattığı zaman faydalıdır.

Kırışma Gidericiden Sonra Orijinal Detayları Geri Getirme

Fabrika ayarı olarak kapalıdır. Bu kontrol grubunun açılması iki kontrolü ortaya çıkarır:

Detail to Restore (Detay Geri Getirme) Sürgüsü

Kırpışma giderme işleminden etkilenmemesi gereken gren, ince detay ve keskin kenarları hızlıca ayrı tutmanızı mümkün kılarak, o ince detayları aynı şekilde muhafaza eder.

Çıkış

'Output' (çıkış) menüsü, problemlili kliplerin sorununu gidermenize yardım edecek seçeneklerle Deflicker (kırpışma giderme) çıkışlarını seçmenizi sağlar. Kullanılabilir seçenekler arasında:

Deflickered Result (Kırpışma Giderilmiş Sonuç)

En son, tamir edilmiş sonuç. Bu varsayılan ayardır.

Detected Flicker (Tespit Edilen Kırpışma Kırpışma)

Bu seçenek, görüntünün doğru bölümlerinin hedef alınıp alınmadığına dair değerlendirmenize yardım etmek için, görüntünün kırpışmalı olarak tespit edilmiş bölümlerini vurgulayan bir maske gösterir. Bu maske hemen göze çarpmayabilir.

Magnified Flicker (Büyütülmüş Kırpışma)

Bu seçenek, deflicker eklentisinin ne yaptığını daha kolay görmeyi sağlamak için, 'detected flicker' (tespit edilen kırpışma) maskesinin abartılı bir versiyonunu gösterir.

Dust Buster (Toz Giderme) Özelliği

Bu eklenti aynı zamanda kliplerden tozu, kiri ve başka kusurları ve bozulukları da gidermek için tasarlanmıştır, fakat bunu sadece Automatic Dirt Removal (Otomatik Kir Giderme) eklentisinin tatmin edici bir sonuç vermediği klipler üzerinde, kullanıcının yönlendirmesiyle yapar. Bu yönlendirme; klip boyunca kare kare ilerleme ve çıkarmak istediğiniz kusurların etrafına kutular çizme işlemlerinden oluşur. Bir kutu çizdiğinizde, hoş gitmeyen kusur, mümkün olan en sorunsuz şekilde otomatikman, sihir gibi ortadan kaldırılır. Kir ve toz için bu iyi çalışır fakat, aşağıda görüldüğü gibi, çok büyük lekeler ve mürekkep lekeleri ile de çalışır.



Solda, orijinal görüntüdeki lekenin etrafına bir kutu çizilmesi ve sağda, toz giderici eklentisi uygulanmış görüntü

Toz ve leke giderme işlemi sıcak pikseli düzeltmeye benzese de Dust Buster efekti, sadece bir veya iki kare boyunca beliren geçici toz ve kir parçalarını onarmak için tasarlanmıştır, oysa sıcak piksellere yapılan düzeltmeler klip süresince devam eder.

Genel

Bu üst düzey kontroller, karedeki geçici ve sabit olmayan toz ve kiri onarmak üzere kullanılacak yamaları nasıl çizeceğinizi, onların ekran üstü kontrollerini gösterip göstermemeyi ve bunu nasıl yapmak istediğinizi seçmenize olanak verir.

Gezinim Kontrolleri

Üzerine yama çizdiğiniz karelere atlamanızı sağlayan dört buton. Dört buton vardır:

First Modified Frame (Değiştirilmiş İlk Kare)

Oynatım çubuğunu, üzerinde yama bulunan klibin ilk karesine iletir.

Last Modified Frame (Değiştirilmiş Son Kare)

Oynatım çubuğunu, üzerinde yama bulunan klibin son karesine iletir.

Next Modified Frame (Bir Sonraki Değiştirilmiş Kare)

Oynatım çubuğunu, üzerinde yama olan bir sonraki kareye ileri yönde iletir.

Last Modified Frame (Değiştirilmiş Son Kare)

Oynatım çubuğunu, ileri yönde üzerinde yama olan en son kareye iletir.

Patch Style (Yama Tarzı)

Görüntü karesindeki farklı leke çeşitlerini onarmak için çizebileceğiniz üç farklı yama türü vardır.

Draw Rect (Dikdörtgen Çiz)

Bir köşeden karşı köşeye istediğiniz boyutta bir dikdörtgen yama yerleştirmek için tıklayıp sürükleyin. Çizdikten sonra, katmanın herhangi bir kenarını tıklayabilir ve yerini değiştirmek için sürükleyebilirsiniz.

Draw Ellipse (Elips Çiz)

Bir köşeden karşı köşeye istediğiniz boyutta bir elips yama yerleştirmek için tıklayıp sürükleyin. Çizdikten sonra, katmanın herhangi bir kenarını tıklayabilir ve yerini değiştirmek için sürükleyebilirsiniz.

Place Patch (Yama Yerleştir)

Özellikle, sıcak pikseller gibi çok küçük detaylar için küçük yamalar yerleştirmenizi mümkün kılar. Bu komutu seçtiğinizde, yerleştirmeden önce, yerleştirmek üzere olduğunuz yamaların boyutlarını değiştirmenize olanak veren “new patch size” ibareli bir yeni yama boyutu sürgüsü belirir. Çizdikten sonra, istediğiniz yamanın herhangi bir kenarını tıklayabilir ve yerini değiştirmek için sürükleyebilirsiniz.

Size when Place Patch is Selected (Yama Yerleştir Seçildiğinde Boyut Ayarı)

“Place Patch” isimli yama yerleştir aracını kullanarak yerleştireceğiniz yamanın büyüklüğünü seçmenizi sağlar.

Show Patches (Yamaları Göster)

Bu onay kutusu, görüntüleyicideki her yamanın ekran üzerindeki dış hatlarını göstermenizi veya gizlemenizi sağlar.

Hide During Interaction (Kullanım Esnasında Gizle)

Bir yamanın yerini değiştirirken, görüntüleyicideki her yamanın ekran üzerindeki dış hatlarını gizler; bu işlem, dış hatların bir engel teşkil etmemesini sağlar ve yama konumunu değiştirmenin görüntüye etkisini görmenizi kolaylaştırır.

Yama Türü

Seçilmiş bir yamanın içeriğini düzeltmeyi denemek için kullanabileceğiniz altı metot vardır. Yeni yamalar çizerken, o an seçili olan yama türü bir sonraki yamanın ne olacağını belirler. Mevcut bir yamayı seçtiğinizde, yama türünü değiştirmeniz yamanın fonksiyonunu değiştirir.

Auto (Otomatik)

Varsayılan yöntem. Bir sınırlayan kutu çizdikten sonra, mevcut klipten önceki iki klip ve sonraki iki klip, analiz edilecek ve mevcut görüntü ile kıyaslanacaktır. Mevcut karedeki kusuru gidermek için, bu beş kareden en iyileri örneklenecektir. Donmuş gren görünümünü önleyeceğinden, iki kare ötedeki görüntüler önceliklendirilmiştir ama, sadece mevcut karenin içeriğine uygun bir eş olduklarında.

+/- 1 Kare

Bu modda, soldan sağa doğru bir sınırlayan kutu çizerseniz kusuru kaldırmak için bir sonraki kare üzerine çizilecektir. Sağdan sola doğru bir sınırlayan kutu çizerseniz kusuru kaldırmak için bir önceki kare kullanılacaktır.

+/- 2 Kare

Soldan sağa doğru bir sınırlayan kutu çizerseniz kusuru kaldırmak için iki kare sonraki görüntünün üzerine çizilecektir. Sağdan sola doğru bir sınırlayan kutu çizerseniz kusuru kaldırmak için iki kare önceki görüntü kullanılacaktır.

Spatial (Konumsal)

Dolgu yöntemini kullanarak, seçilmiş olan yamanın içeriğini, yamanın çevresinden alınan piksellerle otomatikman doldurur. Bu yöntem küçük lekeler üzerinde etkilidir, fakat büyük lekelerde yama deseni fark edilebilir, bu da yama olduğunu belli eder.

Clone (Klonla)

Klon modu, çıkarmak istediğiniz nesnenin üzerine yerleştirilen bir şekil veya yamanın içeriğini doldurmak üzere görüntünün bir bölümünü kopyalar. Bu modda, bir bozukluk üzerine bir dikdörtgen veya elips yerleştirmek üzere tıklayarak sürükleme işleminin ardından, klonlamak istediğiniz örnek bölgeyi belirlemek için ikinci bir tıklamayı gerektirir. Bir yama yerleştirmek için bir kere tıklayın ve ardından örnek bölgeyi bindirmek için de ikinci kez tıklayın. Mevcut bir şekli veya yamayı seçmek ve 'clone' ibaresini seçmek, klon bölgesini konumlandırmak için şekli tıklamanıza olanak verir. Örnek bölge, orijinal şekle bağlı olan noktalı bir şekil ile gösterilir.

Blend Clone (Klonu Harmanla)

Klonlama moduna benzer şekilde çalışır ancak; dikdörtgeni, elipsi veya yamayı dolduran görüntünün kopyalanmış bölümünü görüntüyle harmanlayarak, daha yumuşak bir biçimde entegre olmasını sağlar.

Fill Method (Dolgu Yöntemi)

'Konumsal yama türü' kullanılırken, görüntüdeki bozukluğun nasıl onarılacağını dolgu yöntemi belirler.

Grid (Izgara)

Dikdörtgen, elips veya yamanın çevresindeki pikselleri örnekler ve onları içe doğru hem yatay hem de dikey olarak bulanıklaştırır. Ufacık lekeler için çok etkilidir. Daha büyük lekeler için, izgara tipi bir desen ortaya çıkabilir.

Horizontal (Yatay)

Dikdörtgen, elips veya yamanın sol ve sağındaki pikselleri örnekler ve içe doğru bulanıklaştırır.

Vertical (Dikey)

Dikdörtgen, elips veya yamanın üst ve altındaki pikselleri örnekler ve içe doğru bulanıklaştırır.

Patchy (Düzensiz)

Dikdörtgen, elips veya yamanın her tarafındaki pikselleri örnekler ve hepsini genişleterek bulanıklaştırır, böylece lekeyi onarmak için yumuşak ve düzensiz bir bölge oluşturur. Dolgu yönteminin ızgara desenine sahip değildir, fakat oldukça pürüzsüz bir sonuç sağlar.

Smooth (Pürüzsüz)

Lekeyi onarmak için bir gauss blur efekti kullanır.

Yama Seçenekleri

Bu seçenekler, bir leke üzerini dolduran yamanın etkisini isteğinize göre ayarlamanıza olanak verir.

Mute (Yamayı Kapat/Aç)

Keyframe işlemi ile bir yamayı etkinleştirmenizi ve etkisiz hale getirmenizi sağlar. Bir çekimin yalnızca birkaç pikselinde beliren lekeler için faydalıdır.

Variability (Değişkenlik)

(Sadece konumsal yamalar için) Bu parametrenin yükseltilmesi, dolgu yöntemini daha düzensiz hale getirmenizi sağlar.

Soft Edges (Yumuşak Kenarlar)

Yamanın kenarlarını yumuşatmanızı sağlar.

Size Adjust (Boyutu Değiştirme)

Oluşturulduktan sonra bir yamanın boyutunu değiştirmenize olanak verir.

Gelişmiş Kontroller

Bu kontroller, bu efektin kullanıcı arayüzünü isteğe göre ayarlamanızı mümkün kılar.

Clone Sticks to Mouse (Klon Fareye Yapışır)

Etkinleştirildiğinde, klonlama veya klonu harmanlama modunda bir dikdörtgen, elips veya yamanın çizilmesi ya da yerleştirilmesi, anında örnek bölgeyi konumlandırmaya geçerek, kullanımını hızlandırır.

New Patches Stay Selected (Yeni Yamaları Seçili Olarak Bırak)

Etkinleştirildiğinde, çizildikten sonra yamalar seçili kalarak, daha fazla kişiselleştirilmeye hazır olurlar.

UI Line Thickness (Arayüz Çizgi Kalınlığı)

Ekran üstü anahatların ne kadar kalın olacağını seçmenizi sağlar.

Output Mode (Çıkış Modu)

Bu mod, oluşturduğunuz efektin farklı gösterimlerini görmeyi sağlar. Dört seçenek vardır.

Patched Result (Yamanmış Sonuç)

Her yamanın üzerini kapattığı lekeyi onarmasıyla elde edilen nihai sonuç.

Patch Locations (Yama Konumları)

Yerleştirilen her yamanın, siyaha karşı beyaz olarak temsil edildiği bir key gösterir.

Differences (Farklar)

Orijinal görüntü ile karşılaştırıldığında, her yamanın oluşturduğu farkı gösterir.

Difference Magnitude (Farklılık Boyutu)

Farkların daha bariz bir temsili gösterir.

Gürültü Azaltma

'Color' (renk) sayfasındaki gürültü azaltma kontrollerine bağlı olarak, Resolve FX gürültü azaltma fonksiyonunda sorunlu kliplerdeki gürültüyü bastırmak üzere tasarlanmış, iki tip GPU hızlandırılmış gürültü azaltma özelliği vardır. Gürültü azaltma yöntemlerinin her ikisi birlikte veya ayrı olarak, üzerinde çalıştığınız materyalin gereksinimlerine dayalı olarak değişken miktarlarda kullanılabilir.

Zamansal Gürültü Azaltma Kontrolleri

Zamansal gürültü azaltma kontrolleri, gürültüyü detaydan ayırmak için birden fazla karedeki görüntüleri analiz eder. Hareket nedeniyle oluşan istenmeyen görüntü bozulmalarından kaçınmak için, hareket tahmini ayarları (motion estimation settings), bu işlemde hareket eden nesnelere hariç tutmanıza imkan tanır.

Frames Either Side (Her İki Yandaki Kareler)

Detayları gürültüden ayırmak için ortalamasının alınmasını istediğiniz, mevcut karenin her iki tarafındaki kare sayısı. 0 ile 5 kare arasından seçiminizi yapabilirsiniz. 0 hiçbir kare ortalamasını içermez, daha yüksek değerler daha fazla kare ortalaması uygular ve hesaplama açısından daha yoğun olma pahasına bunu yapar. Daha yüksek bir ayar daha iyi bir analiz sağlayabilir, fakat kare içinde hızla hareket eden görüntüler varsa istenmeyen görüntü bozukluklarına da neden olabilir. Hızla hareket eden görüntüler için, 1 değeri daha iyi sonuçlar getirebilir. Daha yüksek kare değerleri kullanmanız gerekli olduğu halde görüntü bozuklukları görüyorsanız, bu sorunu telafi etmek için, hareket sınırını (motion threshold) düzeltmeyi deneyin.

Motion Est. Type (Hareket Tahmini Tipi)

Görüntüdeki hareketi tespit etmek için, DaVinci Resolve'nin kullandığı yöntemi seçer. Varsayılan ayar olan 'faster' (daha hızlı) işlemciyi yormaz ama, doğruluk derecesi daha azdır. 'Better' (daha iyi) seçeneğinin seçilmesi, daha doğru olarak hareketli alanı etkili bir şekilde ayırabilir ama, işlemciyi daha çok zorlar. 'None' (hiçbiri) seçeneği, hareket tahminini tamamıyla etkisiz kılmanızı sağlar ve bunun sonucunda zamansal gürültü azaltma, görüntünün tamamına uygulanır.

Motion Range (Hareket Alanı)

'Small' (küçük), 'medium' (orta) ve 'large' (büyük) seçeneklerinden oluşan üç ayar, hareket tahmininin (motion estimation) hariç tutmayı beklediği hareket hızını ayarlamanızı sağlar. 'Small' ayarı, az veya hiç hareket bulanıklığı olmayan yavaşça hareket eden nesnelere üstlenir ve zamansal gürültü azaltmanın, belirlenen hareket sınırı (motion threshold) ayarında, görüntünün daha fazlasını etkilemesini sağlar. 'Large' ayarı, görüntünün daha büyük bir alanını kaplayan bulanıklık ile hızlı hareketi üstlenir. Bu da aynı hareket sınırı ayarında görüntünün daha fazlasını zamansal gürültü azaltmadan hariç tutar. Gürültü azaltma ile hareket sınır parametrelerini ayarlarken, hareket nedeniyle oluşan görüntü bozulmalarını getirmenin arasında, size en iyi sonucu sunan bir ayarı seçin.

Zamansal Sınır Kontrolleri

Zamansal sınır parametreleri, hangi görüntü özelliklerinin daha fazla veya daha az gürültü azaltma işlemine maruz kaldığını kontrol etmenizi sağlar.

Luma Threshold (Parlaklık Sınırı)

Zamansal gürültü azaltmanın, görüntünün parlaklık (luma) ögesine uygulanacak miktarını belirlemenizi sağlar. Aralık 0–100 arasındadır ve 0, hiç gürültü azaltma uygulamaz ve 100 azami miktardır. Ayarın çok yüksek olması, görüntüden ince detayların çıkartılmasına neden olabilir.

Chroma Threshold (Renk Sınırı)

Görüntünün renk (chroma) ögesine uygulanacak, zamansal gürültü azaltmanın miktarını belirler. Aralık 0–100 arasındadır ve 0, hiç gürültü azaltma uygulamaz ve 100 azami miktardır. Ayarın çok yüksek olması, görüntüden ince renk detaylarının çıkartılmasına neden olabilir. Ancak, buna rağmen renk sınırını, daha az farkedilir görüntü bozulmasıyla, parlaklık sınırından daha çok yükseltebileceğinizi fark edebilirsiniz.

Gang Luma Chroma (Luma ve Chroma'yı Birleştir)

Normalde, parlaklık ve renk sınır parametreleri beraber gruplanır, böylece birinin düzeltilmesi her ikisini de düzeltir. Ancak, bu onay kutusunu etkisiz kılma, bu parametreleri ayırarak, gürültünün en kötü olduğu yere göre görüntünün her bir ögesine farklı miktarlarda gürültü azaltma işlemini ayarlamana sağlar.

Motion (Hareket)

Hangi hareketli piksellerin hareket halinde, hangilerinin statik olduğunu ayıran eşiji tanımlar. Hareket halindeki pikseller bu eşinin üzerinde, statik olan pikseller ise eşinin altındadır. Görüntünün hareket eden bölümlerine kare ortalaması uygulamayarak hareket nedeniyle oluşan görüntü bozukluklarının önüne geçmek için, hareket tahminini kullanarak, bu sınırın üzerinde kalan görüntü bölgelerine zamansal gürültü azaltma uygulanmaz. Daha düşük değerler, daha az dikkat çeken hareketleri göz önünde bulundurarak, görüntünün daha fazlasını, zamansal gürültü azaltmaya dahil etmez. Daha yüksek değerler, çıkarmak için daha hızlı hareket talep ederek, görüntünün daha geniş alanına zamansal parazit azaltma uygular. 0 ve 100 arasından seçiminizi yapabilirsiniz ve 0, hiçbir piksele zamansal gürültü azaltma uygulamaz ve 100 tüm piksellere zamansal gürültü azaltma uygular. Varsayılan ayar değeri olan 50, birçok klip için uygun bir seçimdir. Hareket sınırını çok yükseğe ayarlarsanız görüntünün hareket eden parçalarında görüntü bozulmaları görme ihtimaliniz vardır.

Blend (Harmanla)

Geçici NR (gürültü azaltma) parametrelerinden etkilenen 0,0 değerindeki görüntü ile 100,0 değerinde gürültü azaltma uygulanmamış görüntü arasında geçiş yapmanızı sağlar. Bu parametre, aşırı zamansal gürültü azaltmayı kullanırken, farkı kolaylıkla bölmenizi sağlar.

Spatial NR Controls (Mekansal Gürültü Azaltma Kontrolleri)

Mekansal gürültü azaltma kontrolleri; detayları muhafaza ederek yumuşatmayı önleme girişiminde bulunurken, görüntü genelinde yüksek frekans gürültü bölgelerini düzeltmenizi sağlar. Zamansal gürültü azaltmanın yapamadığı gürültü azaltma işlemi için etkilidir.

Mode (Mod)

'Mode' (mod) menüsü, mekansal gürültü azaltmayı üç farklı algoritma arasında değiştirmenize olanak verir. İşlemin her üç modu da aynı kontrolleri kullanır; böylelikle sonuçlarınızı kıyaslamak için aynı ayarları kullanarak modlar arasında değiştirebilirsiniz.

Faster (Daha Hızlı)

Gürültü azaltma işleminin hesaplama gereksinimi az olan yöntemini kullanır, bu daha düşük ayarlarda iyi sonuçlar verirken, daha yüksek değerlerde uygulandığında görüntü bozulmaları oluşturabilir.

Better (Daha İyi)

'Faster' moduna kıyasla çok daha üstün sonuçlar elde eden daha yüksek kaliteli bir algoritma kullanması için mekansal gürültü azaltma kontrollerini değiştirir. Ancak bu, çıktı almak için işlemciyi daha yoğun çalıştırır ve renk bileşenlerinin her birine ayrı düzeltmeler yapmak için parlaklık ve renk sınırı sürgülerini ayarlımanıza olanak vermez.

Enhanced (Geliştirilmiş)

Gürültü çıkarmak için mekansal sınır sürgülerini yükseltirken görüntü keskinliğini ve detayı muhafaza etmekte çok daha iyi bir sonuç elde eder. Bu düzelme, özellikle mekansal sınır sürgülerinin yüksek değerlere çıkartıldığında belirgindir, "yüksek" kabul edilebilecek değerler, üzerinde çalıştığınız görüntüye göre değişir. Daha düşük değerlerde, "better"

modu ile karşılaştırıldığında yapılan düzeltme daha az belirgin olabilir, bu da çok fazla işlem gücü gerektiren “enhanced” ayarına kıyasla işlemciyi daha az çalıştırır. Buna ek olarak, görüntünün gereksinimlerine göre her bir renk bileşenine farklı miktarda gürültü azaltma uygulayabilmek için “enhanced” modu parlaklık ve renk sınırı sürgülerini birbirinden ayırmanızı mümkün kılar.

Radius (Etki alanı)

Seçenekler arasında ‘large’ (büyük), ‘medium’ (orta) ve ‘small’ (küçük) bulunur. Daha küçük bir etki alanı, çok daha iyi gerçek zamanlı performansı sunar ve düşük parlaklık ve renk sınır değerleri kullanırken, iyi kalite sağlayabilir. Ancak, düşük gürültü azaltma sınır değerlerini kullanırken, detay bölgelerinde daha fazla merdivenlenme görebilirsiniz.

Etki alanını (radius) artan bir şekilde daha büyük olarak ayarlamak, daha yavaş performans pahasına, yüksek parlaklık (luma) ve renk (chroma) sınırı değerlerinde daha büyük görsel detay alanların içinde, daha iyi kalite ile sonuçlanır. ‘Medium’ (orta) etki alanlı bir gürültü azaltma, orta derece gürültü azaltma sınır ayarlarını kullanırken, çoğu görüntü için uygun kalite sağlamalıdır. Çoğu işlemlerde olduğu gibi, kalite ve hız arasında ayarlanabilir bir feragat etme vardır.

Mekansal Sınır Kontrolleri

Mekansal sınır parametreleri, hangi görüntü özelliklerinin daha fazla veya daha az gürültü azaltma işlemine maruz kaldığını kontrol etmenizi sağlar.

Luma (Parlaklık)

Görüntünün parlaklık (luma) ögesine uygulanacak gürültü azaltma miktarını belirlemenizi sağlar. Aralık 0–100 arasındadır ve 0, hiç gürültü azaltma uygulamaz ve 100 azami miktardır. Ayarın çok yüksek olması, görüntüden ince detayların çıkartılmasına neden olabilir.

Chroma (Renk)

Belirli kenar detaylarının netliğini muhafaza etmeye çalışırken, yüksek frekans gürültü alanlarını pürüzsüzleştirerek, görüntünün renk (chroma) ögesine uygulanacak gürültü azaltma miktarını belirlemenizi sağlar. Aralık 0–100 arasındadır ve 0, hiç gürültü azaltma uygulamaz ve 100 azami miktardır. Ayarın çok yüksek olması, görüntüden ince renk detaylarının çıkartılmasına neden olabilir. Ancak, buna rağmen renk sınırını, daha az farkedilir görüntü bozulmasıyla, parlaklık sınırından daha çok yükseltebileceğinizi fark edebilirsiniz.

Gang Luma Chroma (Luma ve Chroma’yı Birleştir)

Normalde, parlaklık ve renk sınır parametreleri beraber gruplanır, böylece birinin düzeltilmesi her ikisini de düzeltir. Ancak, görüntünün her bir ögesine farklı miktarlarda gürültü azaltma ayarlamak üzere, bu parametreleri ayırabilirsiniz. Örneğin, gürültü azaltmanın belli bir seviyesinde bir görüntü aşırı yumuşuyorsa ancak, parlaklık gürültüsünden daha çok renk beneklerinin olduğunu fark ederseniz, renk gürültüsünü ortadan kaldırmak için renk sınırını yükseltirken, detayları korumak için parlaklık sınırını düşürebilirsiniz.

Blend (Harmanla)

Mekansal NR (gürültü azaltma) parametrelerinden etkilenen 0,0 değerindeki görüntü ile 100,0 değerinde gürültü azaltma uygulanmamış görüntü arasında geçiş yapmanızı sağlar. Bu parametre, aşırı mekansal parazit azaltmayı kullanırken, farkı kolaylıkla paylaşırmanızı sağlar.

Global Blend (Genel Harmanla)

Blend (Harmanla)

1.0’de gürültü azaltma hiç uygulanmamış görüntü ve mevcut ayarları 0.0’da olan hem mekansal hem de geçici gürültü azaltma uygulanmış görüntü arasında bir çözülme efekti uygulamanızı mümkün kılar.

Gürültü Azaltma Özelliğinin Kullanımı

Aşağıdaki işlem, kontrollü bir sonuç elde etmek üzere, NR gürültü azaltma parametrelerini kullanmanın bir yöntemini gösterir.

Bir görüntüye gürültü azaltma uygulanması:

- 1 'Number of frames' (kare sayısı) menüsünden, 1'den 5'e kadar kare seçerek zamansal gürültü azaltmayı etkinleştirin. Daha fazla kare olmasının, bu efektin hesaplama süresini çarpıcı şekilde artıracaklarını unutmayın. Bu, materyalinize bağlı olarak, sonucu önemli ölçüde geliştirebilir veya geliştiremez.
- 2 'Motion est. type' (hareket tahmin türü) ve 'motion range' (hareket aralığı) menülerinden, görüntüdeki hareket miktarı ile uyumlu seçenekleri seçin. Çok fazla hareket varsa 'better' (daha iyi) ve 'large' (büyük) seçeneklerini seçmeniz gerekebilir. Çok hareket yoksa daha düşük seçenekler yeterli olabilir.
- 3 Parlaklık ve renk sınırları bağlı olarak, hareket etmeyen alanlardaki gürültünün azaldığını fark edinceye kadar parametrelerden birini yavaşça yükseltin. Bunun ardından, bozulma oluşmadan veya detayları fazla yumuşatmadan uygulayabileceğiniz azami miktarı tespit etmek üzere daha küçük düzeltmeler yapın.
- 4 Görüntüde bariz olarak parlaklık gürültüsünden daha fazla renk gürültüsü varsa, parlaklık gürültüsünü azaltmanın yeterli bir seviyesinde, luma ve chroma birleşmesini etkisiz hale getirebilirsiniz ve sonra, görüntüdeki renk beneklenme sorununa değinmek için renk sınırını yükseltin.
- 5 Farz edin ki mümkün olan azami gürültü azaltma değeri ile hareket bozukluklarının engellenmesini sağlayan değer arasındaki dengeden memnun değilsiniz. Bu durumda, gürültü azaltma işleminden kaynaklanan hareketin daha fazlasını hariç tutmak için düşürerek veya daha fazla hareket dahil etmek için yükselterek, hareket sınırı ayarını ayarlamak isteyebilirsiniz. Halen memnun değilseniz daha iyi 'motion est. type' (hareket tahmin türü) ve 'motion range' (hareket aralığı) ayarlarını da deneyebilirsiniz.

Zamansal gürültü azaltmanın öneminin, görüntünün hareket etmeyen bölümlerindeki gürültüyü azaltmak olduğunu unutmayın. Sabit bölgelerdeki gürültüyü azaltma ile görüntünün hareket eden bölgelerinde hareket nedeniyle oluşan görüntü bozukluklarından kaçınma arasında, en iyi dengeyi elde ettiğinizde, görüntünün geri kalan bölümü genelinde gürültüyü daha da azaltmak için mekansal gürültü azaltmaya yönelmenin vaktidir.

- 6 Gürültü azalması ve istenmeyen derecede görüntü yumuşaklığının artması arasında uygun bir denge bulana kadar, varsayılan ayar olarak birleşik olan luma ve chroma sınır parametrelerinden birini yükselterek, mekansal gürültü azaltmayı etkin hale getirin.
- 7 Mümkün olan en iyi sonuçları vereceğinden, mekansal gürültü azaltma modu açılır menüsünden, 'enhanced' (geliştirilmiş) seçeneğini seçmeniz tavsiye edilir. Ancak, bu işlemciyi yoğun çalıştırabileceğinden, daha iyi gerçek zamanlı çalışmaya ihtiyacınız varsa modu 'Faster' (daha hızlı) olarak değiştirebilir ve sonuçları kıyaslayabilirsiniz.
- 8 Görüntüde bariz olarak parlaklık gürültüsünden daha fazla renk gürültüsü varsa, parlaklık gürültüsünü azaltmanın yeterli bir seviyesinde, luma/chroma birleşmesini etkisiz hale getirebilir ve sonra, görüntüdeki renk beneklenme sorununa değinmek için daha agresif mekansal gürültü azaltma uygulamak üzere, renk sınırını yükseltebilirsiniz.
- 9 Gürültüyü farkedilir bir şekilde azaltmak ve detay bölgelerinin biraz kalın veya belirsiz görünmeleri için, yüksek bir mekansal gürültü azaltma luma veya chroma sınır ayarı kullanmak zorunda kaldıysanız sahnenin daha detaylı bir analizini etkinleştirmek üzere, 'radius' (etki alanı) menüsünden daha büyük bir ayar seçebilirsiniz.

Bu, daha yüksek görsel kalite ile sonuçlanacaktır ama, daha büyük olan gürültü azaltma etki alanı ayarları, işlemciyi daha yoğun çalıştırır ve sisteminizin kullanabileceği yeterli GPU kaynaklarınız yoksa gerçek zamanlı performansı düşürebilir.

- 10 Uygun gürültü azaltma ayarlarını bulduysanız ama, sonucu çok agresifse ve görüntünün aşırı işlenmiş olarak görünmesine sebep oluyorsa, herbir kontrol seti tarafından eklenen gürültü azaltma ile gürültü azaltma eklemekten önceki görüntü arasında harmanlamak için, mekansal gürültü azaltma ve/veya zamansal gürültü azaltma karışım parametrelerini artırmayı deneyebilirsiniz.

Önce Zamansal Gürültü Azaltma, sonra da Mekansal Gürültü Azaltma Uygulamayı Deneyin

Gürültüyü izole etmek üzere zamansal gürültü azaltma işlemi çok sayıda kareyi analiz ettiği için, görüntünün az hareket içeren bölgelerindeki detayları doğru bir şekilde muhafaza etmekte genelde daha iyi sonuç verir. Önce zamansal gürültü azaltmayı dener ve görüntünün sade bir kısmında bile olsa başarılı bir sonuç alırsanız, uygulamanız gereken mekansal gürültü azaltma işlemi azaltabilir ve nihai sonucun genel kalitesini iyileştirebilirsiniz.

Zamansal gürültü azaltma özelliği, bir görüntünün hareket etmeyen bölümlerinde harika sonuçlar verip hareket eden konuların işlenmesinde daha az etkili iken, mekansal gürültü azaltma özelliğinin, sınırının altına düşen hareket içerdiğinde bile bir karenin her yerindeki gürültüyü azaltabileceğini aklınızda bulundurun. Nihayetinde, her ikisinin bir kombinasyonu hemen hemen her zaman en başarılı kombinasyon olacaktır.

Mekansal Gürültü Azaltma Etki Alanını Ne kadar Genişletmeli?

Daha büyük gürültü azaltma etki alanı ayarları, çok yoğun mekansal gürültü azaltma işlemi uyguladığınız çekimlerin fazla detay içeren bölgelerinin kalitesini önemli ölçüde artırabilir, fakat en yüksek hassasiyeti sağlayan büyük etki alanı ayarına atlamak her zaman gerekli değildir. Birçok durumda, gürültü azaltma uyguladığınız bir görüntüyü değerlendirirken, fazladan elde edilen kaliteyi algılayamayabilirsiniz. Gereksiz bir düzeltme için işleme süresini boşa harcamış olursunuz.

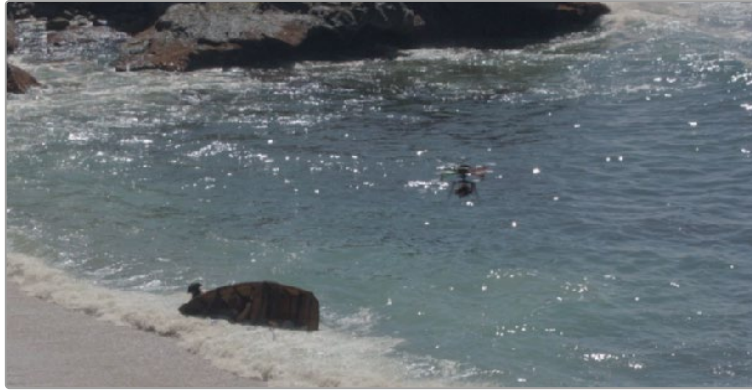
Hedeflenen izleyici kitlesinin çekimi hangi koşullarda izleyeceğini göz önünde tutarak, üzerinde çalıştığınız gürültüyü görebilmek üzere tam kare görüntüyü yeterince büyük bir ekranda değerlendirmeniz iyi bir fikirdir. Gürültü azaltma işlemi uygularken bir klibi çok fazla yakınlaştırmak, gerektiğinden daha yüksek kalitedeki ayarları kullanmanız için sizi yönlendirebilir, çünkü bir görüntünün aşırı ölçüde büyütülmüş detayı, asıl boyutunda fark etmeyeceğiniz çok hafif değişiklikleri görmenize sebep olur.

Nesne Çıkarma

Nesne çıkarma eklentisinin en etkili kullanılabileceği yer 'color' sayfasıdır ve karedeki bir nesneyi mümkün olduğunca otomatik olarak çıkarmak için DaVinci Neural Engine'yi kullanır. Geçici bir süre sabit kalan bir fon üzerinden geçen hareket halindeki bir nesneyi veya hareket halinde çekim yapan bir kameranın lensinden kaynaklanan bir lekeyi çıkarırken, bu eklenti en etkilidir. Büyük nesnelere göre küçük nesnelere daha iyi sonuç verir, fakat elde edeceğimiz sonuç çekime bağlıdır. Bunu nasıl yapacağınızı gösteren basit bir yöntem var.

Bir klipten, hareket halindeki bir nesneyi çıkarmak için:

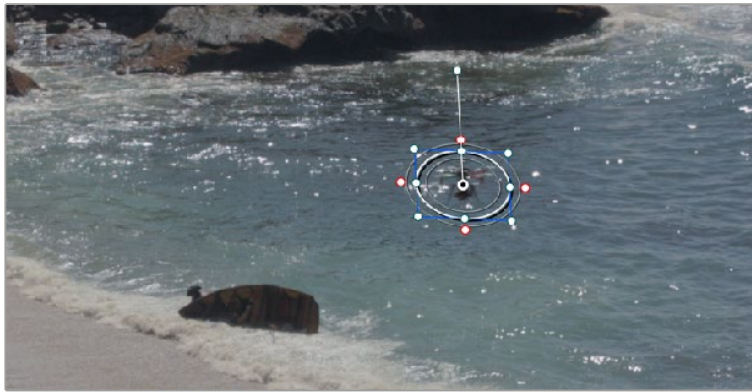
- 1 Bu örnekte, aynı anda kaydedilen uzun bir çekim boyunca uçan bir drone var. Nesne çıkarma eklentisini kullanarak, çıkarılacak öğeyi tanımlamak için bir pencere kullanarak drone'yi görüntüden çıkaracağız.



Çıkarılması gereken bir drone içeren orijinal çekim

Basit durumlarda, çıkarmak istediğiniz öğeyi izole etmek üzere bir düğüm içerisinde pencere veya niteleyici kullanabilmeniz için nesne çıkarma efektini bir düzeltici düğümüne uygulamanız genelde daha kolaydır. Bu örnekte bunu yapacağız.

- 2 Çıkarılması gereken nesnenin çevresinde bir pencere çizmek için 'Window' paletini kullanın. Çıkarılacak nesneyi sıkı bir şekilde saran maskeler veya pencereler kullanarak en iyi sonuçları elde edersiniz.
- 3 Çıkardığınız öğe ile birlikte hareket etmesi için pencereyi takip edin veya keyframe uygulayın. Yine bu durumda da çıkardığınız nesneyi pencereniz ne kadar yakından çevreliyorsa o kadar iyi sonuçlar elde edersiniz ve bu pencerenin kenarını biraz yumuşatmanız da yararlı olacaktır.



Çıkarılması gereken nesne bir pencere yardımıyla izole edilir.

- 4 Çıkaracağınız nesneyi biraz önce içinde izole ettiğiniz düğümün üzerine, nesne çıkarma eklentisini sürükleyerek bırakın.

- 5 Düğümün içerik menüsünde, 'use OFX alpha' (OFX alfa kanalını kullan) seçeneği otomatikman etkinleştirilerek, nesne çıkarma eklentisinin fonksiyonunu yerine getirmesi için o düğüm içinde oluşturulan herhangi bir key'i kullanması mümkün kılınacaktır.
- 6 'Scene analysis' (sahne analizi) butonunu tıklayın ve analizin tamamlanmasını bekleyin. Çıkaracağınız nesne hareket ediyor fakat kamera kilitli ise, bu durumda daha iyi bir sonuç elde edebilmemiz için 'assume no motion' (hareket olmadığını farz et) kutusunu etkinleştirebilirsiniz.

Çekiminiz nesne çıkarma fonksiyonu için ideal ise analiz tamamlandıktan sonra nesne ortadan kalkacaktır ve yerini, yakınındaki karelerden alınan detaylarla elde edilen pürüzsüz bir fon alacaktır.

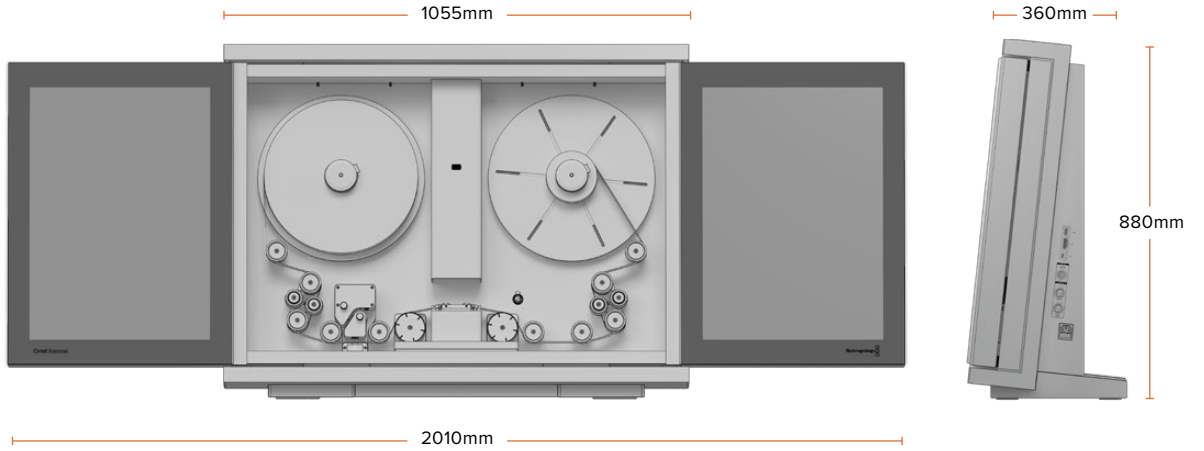


Nesne çıkarma analizi tamamlandıktan sonra elde edilen sonuç

Nesne çıkarma eklentisi yüksek ölçüde çekime bağlıdır ve her zaman bu kadar kolayca bu kadar iyi sonuçlar elde etmezsiniz. Elde edilen sonucun sorunları gri ile gösterilir ya gri kenarlar oluşur ya da öğenin yerine geçecek pencerenin bütünü gri renkte doldurulur. Gri, mevcut ayarların, çıkaracağınız yamayı dolduracak fon içeriğini bulmakta nerede yetersiz kaldığını gösterir. Bu olursa deneyebileceğiniz iki şey vardır.

- Analiz edilen sonucu oynatırken bazı karelerde nesne çıkarma maskesinin gri kenarları olduğunu fark ederseniz, 'search range' (arama aralığı) sürgüsünü ayarlamayı deneyebilirsiniz. Bu aralık, nesne çıkarma eklentisinin eski detaylarla değiştirilecek yeni görüntü detaylarını aradığı mevcut kareden, kare sayısı olarak ifade edilen mesafedir. Örneğin, arama aralığı 20 ise, mevcut konumdan +/-20 kare mesafeyi veya toplam 40 kareyi arar. 10 karelik paylara ayrılması, her 4. kareye bakacağımız anlamına gelir. Genelde, yeterli bir sonuç sağlayan en küçük aralıkla en iyi sonuçlar elde edilir.
- Bazı karelerde nesne çıkarma maskesinin tamamen gri ile doldurulmuş olduğunu fark ediyorsanız bu, o kareler için arkaplan dolgusunun kolayca temin edilemediğine işaret eder. Bu durumda, kareyi doldurmak üzere bir arkaplan üretmek için 'en iyi tahmin' yaklaşımını kullanan ve bunu başarılı bir şekilde doldurulmuş karelerle entegre eden, 'build clean plate' (temiz çekim geliştir) butonunu tıklamayı deneyebilirsiniz.
- Yamayı doldurmak başarılı olduğu halde elde edilen sonuç arkaplan ile yeterli harmanlanmıyorsa, harmanlama modunu değiştirmeyi deneyebilirsiniz. Varsayılan ayar, basit bir klonlama işlemi olan 'linear' (doğrusal) modudur, fakat 'adaptive blend' (uyarlanabilir harmanlama) modunu da seçebilirsiniz. Bu mod, yerleştireceğiniz yamanın kenarlarının fononun farklı bir rengi veya parlaklığı olduğu belirli durumlar hariç, daha iyi sonuçlar sağlayabilir.
- 'Scene mode' (sahne modu) menüsü, çıkarılan nesneden dolayı oluşan boşluğun nasıl doldurulacağını en şekilde tespit etmek üzere değiştirilmesi gereken bölümün nasıl hareket edeceğinin analizini daha iyi hale getirmek için sahneyi analiz etmenin farklı yöntemlerini sunar. 'Background' (arkaplan), nesne bölgesi hariç görüntünün tamamını analiz eder. 'Boundary' (sınır), nesne bölgesini çevreleyen sınır alanını analiz eder. 'Object' (nesne) ise, kameranin hareket ettiği esnada bir pencere üzerinde bulunan bir yapışkanlı etiket gibi, fon ile birlikte hareket eden bir nesneyi analiz etmek içindir.

Fiziki Detaylar



Ağırlık: 60 kg (132 lb) boşken. Duvara monteliyken ebatları: Yükseklik - 785mm, Derinlik - 265mm.

Tarayıcı Özellikleri

Film Türleri

- Baskı, Negatif, Ara pozitif, Ara negatif.
- Tek Renk ve Renkli.

Film Ölçüleri

- 35mm:
2, 3, 4 perforasyonlu
- Süper 35mm:
2, 3, 4 perforasyonlu
- 16mm
- Süper 16mm
- 8mm
- Süper 8mm

Yerel (Native) Çözünürlük

4096 x 3072

Etkili Çözünürlükler¹

- 3840 x 2880 - Süper 35
- 3390 x 2465 - Standart 35
- 3390 x 2865 - Anamorfik 35
- 1903 x 1143 - Süper 16
- 1581 x 1154 - Standart 16
- 892 x 638 - Süper 8
- 752 x 567 - Standart 8

Ses

Taranmış görüntüden çıkarılır.

HDMI Formatları

3840 x 2160 Ultra HD veya 1920 x 1080 HD, ekran çözünürlüğüne uyum için otomatik olarak seçilir.

Leke ve Çizik Azaltma

- Işık kaynağı dağıtma
- Temizleme Silindirleri

Montaj Seçenekleri

- Masaya Montaj
- Duvara Montaj

Dinamik Aralık

- Normal Taramalar: 12 adımlı
- HDR Taramalar: 3,5'e kadar ek adım

Aktarım Özellikleri

Aralıksız Hareket

Çalışma hızı

1 - 30 fps

Hızlı Görüntülü Sarma

1 - 100 fps (35mm)

1 - 200 fps (16mm)

Film Büzüşme Toleransı

%2'ye kadar garantilidir, kullanıcının itina göstermesi durumunda daha da yüksek olabilir.

Hızlandırma

5 - 30 fps/s

Kapasite

2000fit (35mm)

Bağlantılar

HDMI Video Çıkış

1 x HDMI 1.4 10-bit 4:2:2
yalnızca önizleme amaçlı.

Seçenekler Arayüzü

XLR6

Bilgisayar Arabirimi²

- Thunderbolt™ 3 ses ile görüntü yakalama, yazılım güncellemeleri için ve 5V'da 15W USB-C şarjını destekler.

- 2. nesil 4 şeritli PCI Express

¹ Sadece kırılan görüntü bölümünün çözünürlüğü.

² Cintel Scanner'de sadece bir Thunderbolt 2 portu vardır.

³ Cintel Scanner 2 veya daha yenisi.

İki-Fazlı/Zamankodu Çıkışı³

- İki-faz 4.5 Volt DC Bağlı
- Timecode 1.5 Volt DC Bağlı
- 24, 25 ve 30 fps için zaman kodu desteği

Analog Ses Girişleri

2 Kanal; 10dBV seviyeli XLR konektörleri üzerinden örnek hız çevirici ile, profesyonel dengeli analog ses.

AES/EBU Ses Girişi

XLR konektörde örnekleme hızı çevirici ile 2 kanal.

Güç Gereksinimleri

Voltaj Aralığı

90 - 240V AC

Güç

200W

Sigorta

T5AL' 20mm

İdeal Film Koşulları

Çalışma Ortamı Isısı

18 - 28°C

Bağıl Nem

Maksimum %65 yoğuşmasız.

İşletim Sistemleri

Mac, Windows ve Linux

Aksesuarlar

- Cintel Audio and KeyCode Reader

- Cintel Scanner 16mm Gate HDR

- Cintel Scanner 8mm Gate HDR

- Cintel Scanner 35mm Gate HDR

- Cintel Temizleme Silindir Kiti

- Blackmagic PCI Express Kablo Kiti

Audio and KeyCode Reader

Tonlama

Optik ses SMPTE,
Manyetik ses IEC

Desteklenen KeyCode Tarama Hızları

Tüm tarayıcı hızları

LED Tipi

Optical audio and
KeyCode Koyu KIRMIZI

Desteklenen Ses Tarama Hızları

6fps-125% seçilen film hızı

Örnek: 24fps film kare hızı,
azami 30fps tarama hızına
sahiptir ve 16mm filmin 12fps'lik
alt limiti vardır.

Desteklenen Optik Ses Tipleri

- Değişken Alan
- Değişken Yoğunluk

Ses örnekleme Hızı ve Bit Derinliği

48kHz 24 bit PCM WAV dosyası

Optik Ses 35mm

Bant genişliği

40Hz-16kHz +-2dB

SnR Sinyal Parazit Oranı⁴

Transparan film tabanı -65dB

Wow ve Flutter (Yalpalanma ve Titreme)⁵

< %0.15

Optik Ses 16mm

Bantgenişliği

40Hz-7kHz +-2dB

SnR Sinyal Parazit Oranı⁴

Transparan film tabanı -65dB

Wow ve Flutter (Yalpalanma ve Titreme)⁵

< %0.3

16mm Tek Perforeli Manyetik Şerit

Makara Çalışma Gerginliği

15 gram

Bant genişliği⁶

32Hz-14kHz +-2dB

SnR Sinyal Parazit Oranı⁴

-55dB

Wow ve Flutter (Yalpalanma ve Titreme)⁵

< %0.3

Tam Modülasyon Seviyesi

-18dBFS

Kulaklık Seviyesi⁷

50Ω direncinde -18dBU

Ses Bağlantısı

XLR6

Bilgisayar Arabirimi

Yazılım güncellemeleri
için USB-C

Güç Tüketimi

12V DC 10W

Ebatlar

Yükseklik: 156mm

Genişlik: 92mm

Derinlik: 106mm

Ağırlık: 1.35kg

⁴ SnR Sinyal Parazit oranı düz ağırlıklandırma ile ölçülür

⁵ Wow (Yalpalanma) ve Flutter (Titreme) IEC 386 ağırlıklandırma ile ölçülür

⁶ Teorik olarak manyetik sesin bantgenişliği 20-20kHz olarak tasarlanmıştır ama, bunu ölçmek için kullanılabilecek bir test malzemesi yoktur.

⁷ Kulaklık çıkışı sadece önizleme amaçlı tasarlanmıştır.

Mevzuata İlişkin Bildirimler



Avrupa Birliğinin elektrikli ve elektronik cihazlara dair atık kontrol yönetmeliği.

Ürün üzerindeki sembol, bu ekipmanın başka atık malzemelerle bertaraf edilmemesi şartını belirler. Atık ekipmanlarınızı bertaraf edebilmemiz için, geri dönüşümünü sağlamak üzere, belirlenmiş toplama noktasına teslim edilmeleri gerekmektedir. Bertaraf anında atık cihazlarınızın ayrı olarak toplanması ve geri dönüşümü, doğal kaynakların korunmasına yardımcı olacaktır ve insan sağlığını ve çevreyi koruyucu bir şekilde geri dönüşümünü sağlayacaktır. Atık ekipmanlarınızı geri dönüşüm için nereye teslim edebileceğiniz konusunda daha fazla bilgi için, lütfen yerel belediyenizin geri dönüşüm şubesini ya da ürünü satın aldığınız satış bayisini arayınız.



Bu cihaz, test edilmiş ve Federal İletişim Komisyonu (FCC) koşullarının 15. bölümü doğrultusunda A Sınıfı dijital cihazların sınırlarıyla uyumlu olduğu tespit edilmiştir. İlgili sınırlar, bu ekipman ticari bir ortamda çalıştırıldığında, zararlı müdahalelere karşı makul koruma sağlamaları amacıyla tasarlanmıştır. Bu ekipman; radyo frekans enerjisi üretir, kullanır ve saçabilir. Talimatlar doğrultusunda kurulmadığı ve kullanılmadığı takdirde, radyo iletişimlerine zararlı etki yapabilir. Bu ürünün bir meskun bölgede çalıştırılması, zararlı müdahaleye yol açabilir. Bu durumda, müdahalenin düzeltilmesi için ilgili maliyeti, kullanıcının kendisi karşılamak zorunda kalacaktır.

Bu cihazın çalıştırılması aşağıdaki iki şarta bağlıdır:

- 1 Bu cihaz, zararlı müdahaleye sebebiyet vermemelidir.
- 2 Bu cihaz, arzu edilmeyen bir çalışma şekline yol açacak müdahale de dahil olmak üzere maruz kaldığı her türlü müdahaleyi kabul etmelidir.



R- REM-BMD-201805001



ISED Kanada Beyannamesi

Bu cihaz, A Sınıfı dijital cihazlar için Kanada standartlarıyla uyumludur.

Bu cihaza yapılacak herhangi bir değişiklik veya kullanım amacı dışında kullanılması, bu standartlara uyumluluğunu hükümsüz kılabilir.

HDMI arayüzlerine bağlantı, yüksek kaliteli korumalı HDMI kablolarıyla yapılmalıdır.

Bu cihaz, ticari ortamda kullanım amacına uygunluk için test edilmiştir. Cihaz ev ortamında kullanıldığında, radyo parazitine neden olabilir.

Güvenlik Bilgileri

Elektrik çarpma riskine karşı korunmak için, bu cihaz koruyucu topraklama bağlantısı olan bir şebeke prizine takılmalıdır. Emin olmadığınız durumlarda yetkili bir elektrik teknisyeni ile irtibata geçiniz.

Elektrik çarpma riskini azaltmak için, bu cihaz damlayan veya sıçrayan suya maruz bırakılmamalıdır.

Bu ürün çevresel ısısı 40° C'ye kadar olan tropikal ortamlarda kullanılmaya uygundur. Not: yine de ideal film koşulları, 18 ve 28 santigrat derece arasında olduğunu aklınızda tutun.

Bu ürünün çevresinde yeterli havalandırma olduğundan ve hava akımının kısıtlanmadığından emin olun.

Ürünün içinde, kullanıcı tarafından tamir edebilecek hiçbir parça bulunmamaktadır. Gerekli tamiratları yerel Blackmagic Design servis merkezine yönlendirin.



Deniz seviyesinden yüksekliğin 2000m'yi aşmadığı yerlerde kullanın.



UYARI

Film yüklüken Cintel Scanner'in ağırlığı 70kg / 155 libreye ulaşabilir. Bu, dev ekran bir televizyondan çok daha ağırdır. Film yüklü tarayıcının toplam ağırlığını taşımaya için duvarın veya masanın yapısal sağlamlığından emin değilseniz o zaman, güvenliği sağlamak üzere doğru montaj analizi için, yetkili bir mühendise danışmanız zorunludur. Yanlış kurulması, tarayıcının düşmesine neden olacaktır ve bu da ciddi yaralanmaya veya ölüme sebep verebilir.

Masa Montajı

Tarayıcıyı bir masa üzerine monte ederken ve özellikle de masa montaj civatalarını takmak için tarayıcının altında çalışırken, çalışma yüzeyinizin düz ve sağlam olduğundan emin olun. Bağlantı parçaları ve tertibatları, tarayıcının ağırlığını güvenle taşımak için yeterince sağlam olmalıdır. Çalışma yüzeyiniz, tarayıcınızın ağırlığını taşıyacak kadar sağlam değilse veya zaman içinde sağlamlığını yitirirse tarayıcınız düşebilir ve ciddi yaralanmaya neden olabilir.

Duvar Montajı

Tarayıcıyı duvara monte ederken, montaj yerinin, uzun süreli kullanımı destekleyecek kadar, sağlam olduğundan emin olun. Uzun süreli kullanımdan dolayı montaj yerinin sağlamlığı azalır tarayıcınız düşebilir ve ciddi yaralanmaya neden olabilir. Yük kaldıramayacak durumda olan yerlere, monte etmeyin. Bağlantı parçaları ve tertibatları, tarayıcının ağırlığını güvenle taşımak için yeterince sağlam olmalıdır. Montaj yüzeyi, tarayıcınızın ağırlığını taşımak için yeterince sağlam değilse tarayıcınız düşebilir ve ciddi yaralanma ile sonuçlanabilir.

Tarayıcınızı masa üstüne veya duvara monte etme işleminin, birden fazla kişi tarafından yapılması zorunludur. Tek başınıza montaja kalkışmayın.

Çalıştırma

Tarayıcının çalıştırılması için kullanıcı etkileşimi gereklidir ve film yükleme işlemi, doğal olarak aktif katılım gerektirir. Hareketli parçaların tehlikeli olabileceğinin farkında olmak önemlidir. Film tararken, parmaklarınızın ve vücudunuzun diğer bölümlerinin, tarayıcıdan uzak olduğundan emin olun.

Kaliforniya Eyaleti Beyannamesi

Bu ürün; plastik parçaları dahilinde, eser miktarda polibromine bifenil gibi kimyasal maddelere sizi maruz bırakabilir. Kaliforniya eyaletinde, bu maddelerin kansere, doğum kusurlarına veya başka üreme bozukluklarına sebebiyet verdiği bilinmektedir.

Daha fazla bilgi için www.P65Warnings.ca.gov adresini ziyaret ediniz.

Yetkili Servis Personeli için Uyarı



Servis yapmadan önce, her iki elektrik girişinden elektrik bağlantısını kesin!

Yardım

Yardım almanın en hızlı yolu, Blackmagic Design online destek sayfalarına girip, Cintel tarayıcınız için mevcut olan en son destek malzemesini incelemektir.

Blackmagic Design Online Destek Sayfaları

En güncel kılavuz, yazılım ve destek notlarına, www.blackmagicdesign.com/tr/support adresindeki BlackmagicDesign destek merkezinden ulaşılabilir.

Blackmagic Design Forum

İnternet sitemizdeki Blackmagic Design forum sayfası, daha fazla bilgi ve yaratıcı fikirler için ziyaret edebileceğiniz faydalı bir kaynaktır. Burası, yardım almanız için daha hızlı bir yol olabilir çünkü, sorularınız için, başka deneyimli kullanıcılar ya da Blackmagic Design çalışanları tarafından verilen yanıtları bulabilir ve böylelikle çalışmalarınıza devam edebilirsiniz. Forumu <https://forum.blackmagicdesign.com> adresinden ulaşabilirsiniz.

Blackmagic Design Destek Hizmetiyle İrtibat

Aradığınız yardımı destek kaynaklarında ya da forumda bulamadığınız durumda, lütfen destek sayfamıza girerek, "Bize e-posta gönderin" butonunu tıklayın ve e-post yoluyla destek talebinde bulunun. Bunun yerine, destek sayfasındaki "Yerel destek ekibini arayın" butonunu tıklayabilir ve size en yakın Blackmagic Design destek ofisini arayabilirsiniz.

Yüklü Olan Yazılım Sürümünün Kontrol Edilmesi

Mac, Windows veya Linux bilgisayarınızda, DaVinci Resolve'nin hangi versiyonunun yüklü olduğunu kontrol etmek için, DaVinci Resolve'yi açın. Yazılımın sürüm numarasını görmek için, DaVinci Resolve menüsü altındaki 'About DaVinci Resolve' (DaVinci Resolve Hakkında) menü başlığı üzerine tıklayın.

Mac, Windows veya Linux bilgisayarınızda, Cintel Scanner yazılımının hangi sürümünün yüklü olduğunu kontrol etmek için Cintel Setup yardımcı yazılımını açın. Yazılım sürüm numarasını görmek için 'about' (hakkında) sekmesine gidin.

En Son Güncellemelere Erişim

Bilgisayarınızda yüklü olan DaVinci Resolve ve Cintel Scanner yazılımlarının sürümlerini tespit ettikten sonra, en son güncellemeleri bulmak için, www.blackmagicdesign.com/tr/support adresinden lütfen Blackmagic Design destek merkezine gidin. En son güncellemeleri çalıştırmak tavsiye edilse de önemli bir projenin ortasındaiken yazılımı güncellemekten kaçınin.

Bir Durum Raporu Oluşturma

Cintel Scanner yazılımı; Blackmagic Destek merkezinin sorunları teşhis etmesi ve gidermesine yardımcı olmak için, destek merkezine gönderebileceğiniz bir durum raporu oluşturmanızı sağlar. Bir Audio and KeyCode Reader takılıysa onun için de bir durum raporu oluşturabilirsiniz.

Bir durum raporu oluşturmak için; Cintel Setup yardımcı yazılımını çalıştırın, ayarlar ikonunu tıklayın ve sonra 'about' (hakkında) sekmesine gidin. 'Device information' (cihaz bilgisi) bölümündeki 'create' (oluştur) ibaresini tıklayın. Bu bir HTML dosyası oluşturur, böylelikle Cintel Scanner ve Audio and KeyCode Reader'in her ikisi için durumu, kolaylıkla okuyabilirsiniz.

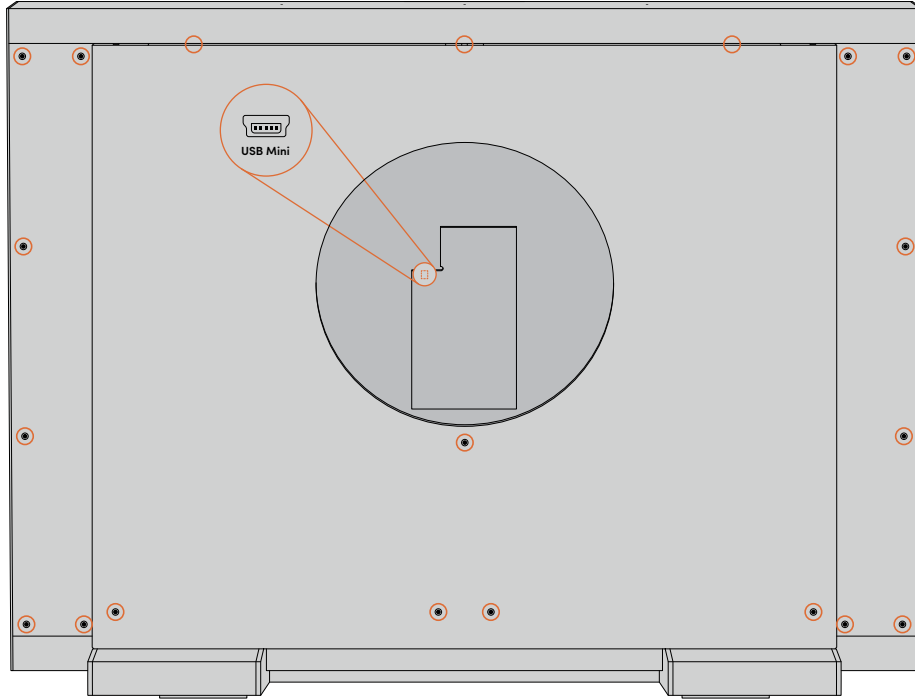
USB Recovery (Kurtarma)

Güncellemenin yarıda kesildiği alışılmadık bir durumda veya güncelleme esnasında bir sorun ile karşılaştığınız ve Cintel'in tepkisiz hale geldiği bir durumda, USB kurtarma için, bilgisayarınızı atanmış bir USB portuna bağlayabilirsiniz.

Cintel'inizi çalıştırarak ve Thunderbolt portunun yanındaki durum LED lambasının yeşil yandığını kontrol ederek, USB kurtarmanın kullanılabilir olduğunu teyit edebilirsiniz. LED kırmızı yanıyor ise Blackmagic Design destek hizmetiyle irtibata geçmeniz gerekecektir.

- 1 Blackmagic Cintel Scanner'ınızın arka panelini çıkarın. Sistem kurtarma için USB portu, ortada üst tarafa yakın bir yerde bulunur. Devre kartının yan tarafında Cintel Scanner'in ön tarafına dönüktür ve Cintel tarayıcının üstüne baktığınızda görünür.

NOT Arka panele çabuk erişiminiz yoksa ve tarayıcıyı hareket ettirmeniz gerekiyorsa, tarayıcıyı iki kişinin taşıdığından ve tarayıcı ağır olduğu için sağlam bir platforma erişiminiz olduğundan emin olun. Daha fazla bilgi için, bu kullanım kılavuzundaki 'Paketin Açılması ve Montajı' bölümüne bakınız.



USB Kurtarma için USB portuna erişmek üzere, arka paneli çıkarın.

- 2 Bir USB mini-B kablosu ile, bilgisayarınızı USB kurtarma portuna bağlayın.

- 3 Cintel Scanner yazılımının en son sürümünü, Blackmagic Design internet sitesinden indirin, bilgisayarınıza yükleyin ve çalıştırın. Cintel Setup yardımcı yazılımı, Cintel Scanner'in USB kurtarma portuna bilgisayarınızın takılı olduğunu tespit edecektir. 'Update now' (şimdi güncelle) ibaresini tıklayın.



Cintel Scanner yazılımı, Cintel Scanner'in USB kurtarma portuna bilgisayarınızın takılı olduğunu tespit edecektir.

- 4 Güncellemeyi kurtarma tamamlandıktan sonra, Cintel Scanner'iniz artık en son yazılımı işletiyor ve normal bir şekilde çalışıyor olmalıdır. Bunu; USB kablolarını çıkarıp, thunderbolt kablolarını bağlayıp ve sonra tarayıcınızı yeniden çalıştırarak, kontrol edebilirsiniz
- 5 Arka paneli yerine geri takın ve normal işletim için Cintel Scanner'inizi konumuna geri monte edin. Daha fazla destek için, Blackmagic Design forumunu her zaman ziyaret edebilirsiniz veya Blackmagic Design destek merkezinden bize ulaşın.

Garanti

12 Ay Sınırlı Garanti

Blackmagic Design şirketi, bu ürünün satın alındığı tarihten itibaren malzeme ve işçilik bakımından 12 ay boyunca kusursuz ve arızasız olacağını garanti eder. Bu garanti süresi içinde üründe bir arıza ve kusur söz konusu olursa, Blackmagic Design kendi seçimi doğrultusunda, arızalı ürünü parça ve işçilik bedeli talep etmeksizin tamir edecektir veya yenisiyle değiştirecektir. Bu garanti kapsamındaki hizmetten yararlanmak için, kusur ve hataya ilişkin garanti süresi sona ermeden, Müşteri Blackmagic Design'i bilgilendirmeli ve söz konusu hizmetin sağlanması için uygun düzenlemeleri yapmalıdır. Blackmagic Design tarafından özel belirlenmiş ve yetkilendirilmiş bir hizmet merkezine arızalı ürünün ambalajlanarak nakliyesi, Müşteri'nin sorumluluğudur ve nakliye ücretleri, peşin ödenmiş olmalıdır. Herhangi bir sebepten dolayı bize iade edilen ürünlerin; tüm nakliye, sigorta, gümrük vergileri, vergi ve tüm diğer masrafların ödenmesi, Müşteri sorumluluğu altındadır.

Bu garanti; yanlış kullanım ya da yanlış veya kusurlu bakımdan kaynaklanan herhangi bir arızayı, bozukluğu ya da hasarı kapsamaz. Blackmagic Design burada açıklanan durumlarda, bu garanti kapsamında yükümlü değildir: a) Blackmagic Design temsilcileri haricindeki başka personelin ürünü kurma, tamir etme ya da bakımını yapma girişimlerinden kaynaklanan hasarın tamir edilmesi, b) uygun olmayan kurulum, kullanım veya uyumlu olmayan ekipmanlara bağlanılmasından kaynaklanan hasarın tamir edilmesi, c) Blackmagic Design parçaları ya da malzemesi olmayan ürünlerin kullanımından kaynaklanan hasarın ya da arızanın tamir edilmesi ya da d) Modifiye veya başka ürünlerle entegre edilmiş bir ürünün; söz konusu modifikasyon ya da entegrasyonun gereken tamiratın süresini uzattığı ya da ürün bakımını zorlaştırdığı durumlarda, tamir edilmesi.

BU GARANTİ, BLACKMAGIC DESIGN TARAFINDAN VERİLMİŞTİR VE AÇIK YA DA ZİMNİ, HERHANGİ BİR GARANTİNİN YERİNİ TUTAR. BLACKMAGIC DESIGN VE SATICILARI, ZİMNİ TİCARİ UYGUNLUK GARANTİSİNİ YA DA ÖZEL BİR AMACA UYGUNLUK GARANTİSİNİ KABUL ETMEZ. BLACKMAGIC DESIGN'IN BU GARANTİ SÜRESİ İÇİNDE HASARLI ÜRÜNLERİ TAMİR ETME YA DA DEĞİŞTİRME SORUMLULUĞU, MÜŞTERİYE SUNACAĞI TAM VE MÜNHASİR ÇÖZÜMDÜR. BLACKMAGIC DESIGN YA DA SATICILARININ OLABİLECEK HASARLAR HAKKINDA ÖNCEDEN BİLGİSİ OLMASINI GÖZETMEKSİZİN; ÜRÜNDE DOLAYLI, ÖZEL, TESADÜFİ YA DA NETİCE OLARAK ORTAYA ÇIKAN HERHANGİ BİR HASAR İÇİN BLACKMAGIC DESIGN SORUMLU DEĞİLDİR. BLACKMAGIC DESIGN, MÜŞTERİLER TARAFINDAN EKİPMANIN YASAL OLMAYAN HERHANGİ BİR KULLANIMINDAN SORUMLU DEĞİLDİR. BLACKMAGIC DESIGN, BU ÜRÜNÜN KULLANIMINDAN KAYNAKLANAN HERHANGİ BİR HASARDAN SORUMLU DEĞİLDİR. BU ÜRÜNÜN ÇALIŞTIRILMASINDAN DOĞAN RİSK, KULLANICININ KENDİSİNE AİTTİR.

© Telif Hakkı 2024 Blackmagic Design. Tüm hakları saklıdır. 'Blackmagic Design', 'Cintel', 'DeckLink', 'DaVinci Resolve' ABD ve başka ülkelerde tescilli ticari markalardır. Diğer tüm şirket ve ürün isimleri, bağlantılı oldukları ilgili şirketlerin ticari markaları olabilir.